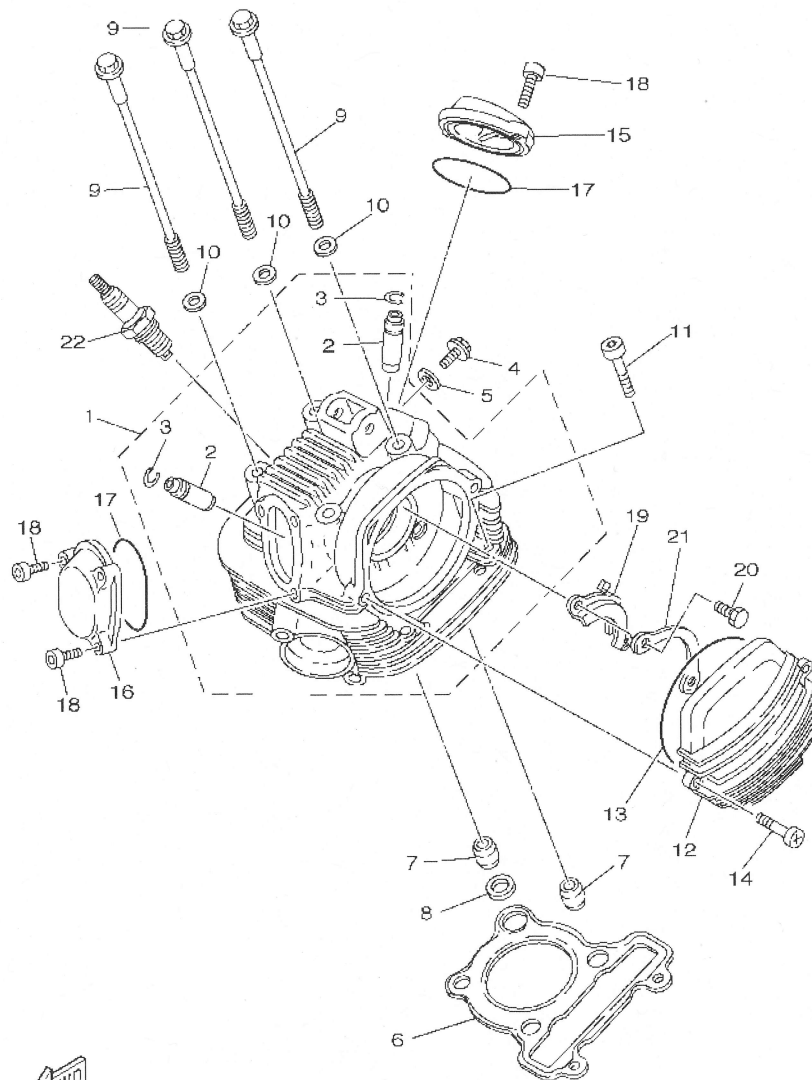


AG200FR(2003) - CYLINDER - CYLINDER HEAD

Printed 24/12/2014



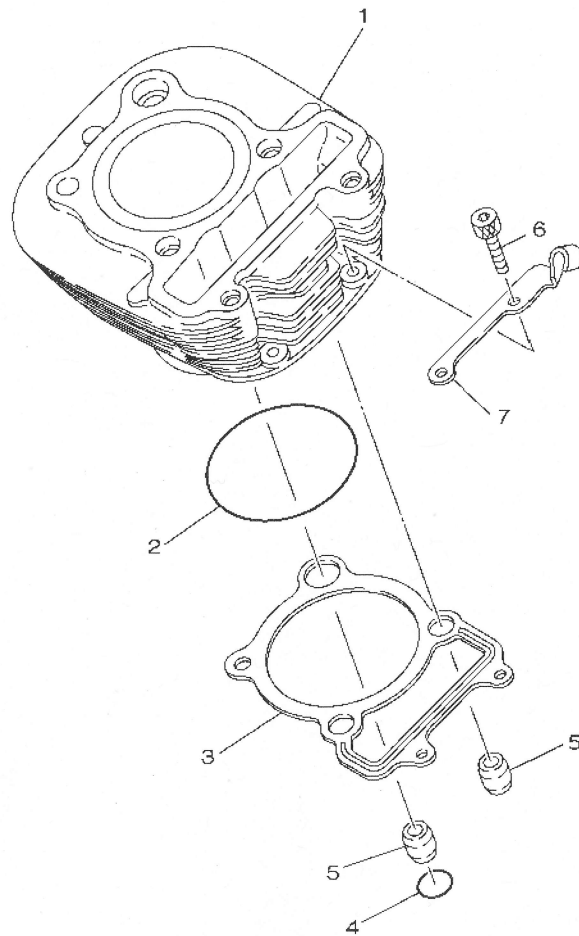
3GXA700-7010

| Ref # | Part No | Description | Qty | Remarks |
|-------|--------------|--------------------------------|-----|---------|
| 1 | 36X-11102-03 | CYLINDER HEAD ASSY | 1 | |
| 2 | 5H0-11133-11 | GUIDE, VALVE 1 | 2 | |
| 3 | 93440-10085 | CIRCLIP | 2 | |
| 4 | 90153-06029 | SCREW, HEXAGON | 1 | |
| 5 | 90430-06014 | GASKET | 1 | |
| 6 | 1NU-11181-00 | GASKET, CYLINDER HEAD 1 | 1 | |
| 7 | 99530-14016 | PIN, DOWEL | 3 | |
| 8 | 90430-14131 | GASKET | 1 | |
| 9 | 90105-08195 | BOLT, FLANGE | 4 | |
| 10 | 90201-08609 | 294 WASHER, PLATE | 4 | |
| 11 | 91317-08045 | BOLT | 2 | |
| 12 | 4BD-11185-00 | COVER, CYLINDER HEA | 1 | |
| 13 | 93211-05471 | O-RING | 1 | |
| 14 | 98507-06020 | SCREW, PAN HEAD(3HN | 2 | |
| 15 | 3GC-11186-00 | COVER, CYLINDER HEAD SIDE 2 | 1 | |
| 16 | 3GC-11187-00 | COVER, CYLINDER HEAD SIDE 3 | 1 | |
| 17 | 93210-57634 | O-RING | 2 | |
| 18 | 91317-06018 | BOLT | 5 | |
| 19 | 5H0-1111F-00 | PLATE | 1 | |
| 20 | 97007-06012 | BOLT(4MY) | 2 | |
| 21 | 90215-06184 | WASHER, LOCK | 1 | |
| 22 | 94701-00181 | NIPPON DENSO SPARKPLUG X24ES-U | 1 | UR |
| 22 | 94701-00157 | NGK SPARK PLUG D8EA | 1 | UR |

AG200FR(2003) - CYLINDER - CYLINDER

Printed 24/12/2014

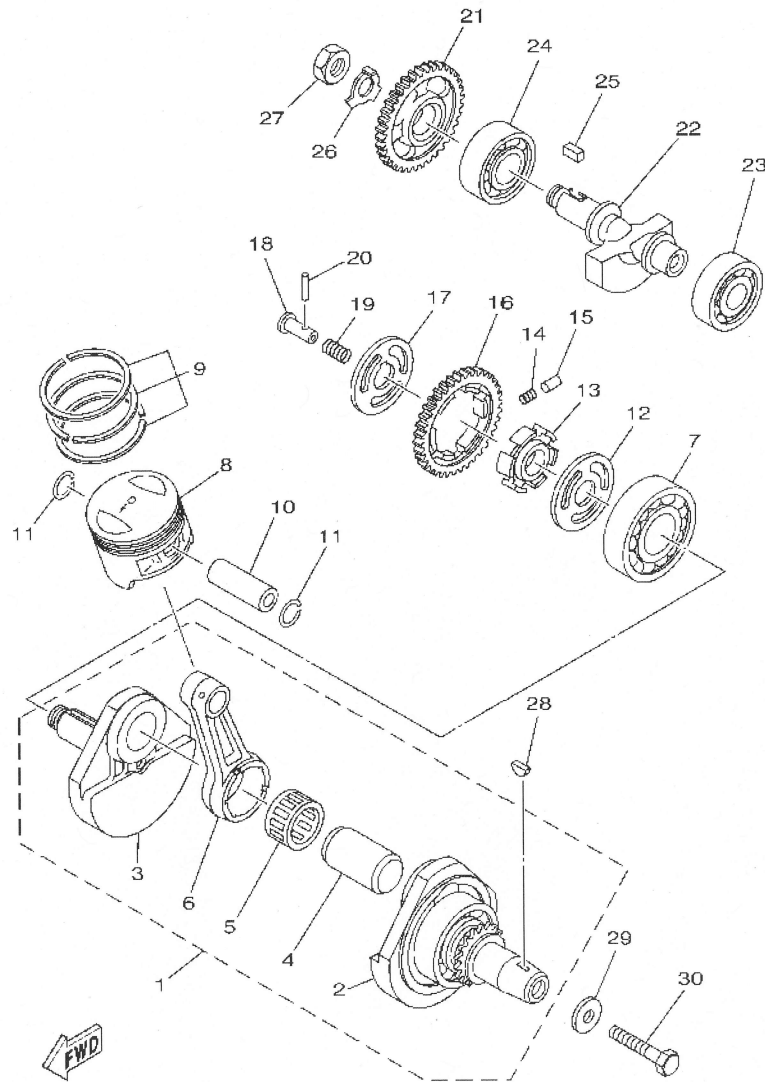
| Ref # | Part No | Description | Qty | Remarks |
|-------|--------------|--------------------------|-----|---------|
| 1 | 36X-11310-00 | CYLINDER | 1 | |
| 2 | 93210-72529 | O-RING | 1 | |
| 3 | 5LB-11351-00 | GASKET, CYLINDER | 1 | |
| 4 | 93210-13361 | O-RING | 1 | |
| 5 | 99530-14016 | PIN, DOWEL | 2 | |
| 6 | 91317-06030 | BOLT(4MY) | 2 | |
| 7 | 36X-15441-00 | 213 HOLDER, CLUTCH CABLE | 1 | |



3GXA700-7020

AG200FR(2003) - CYLINDER - CRANKSHAFT. PISTON

Printed 24/12/2014

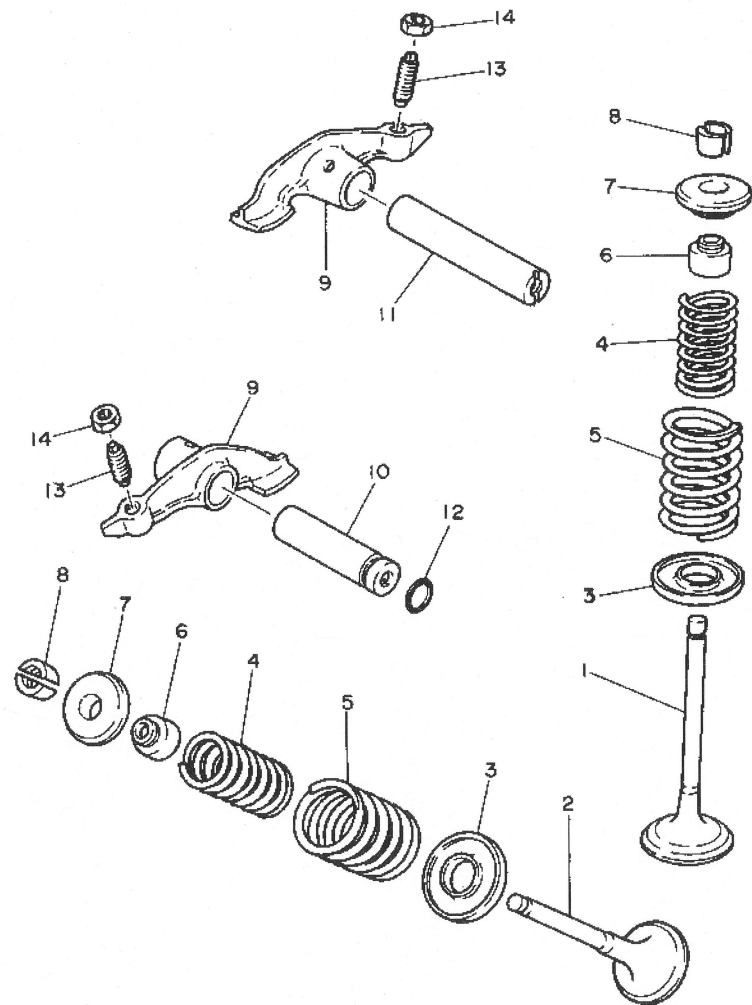


3GXG200-A030

| Ref # | Part No | Description | Qty | Remarks |
|-------|-----------------|-----------------------------|-----|---------|
| 1 | 5H0-11400-01 | CRANKSHAFT ASSY | 1 | |
| 2 | 5H0-11412-09 | CRANK 1 | 1 | |
| 3 | 5H0-11422-00 | CRANK 2 | 1 | |
| 4 | 5H0-11681-00 | PIN, CRANK 1 | 1 | |
| 5 | 93310-530J3 | BEARING | 1 | |
| 6 | 15A-11651-00 | ROD, CONNECTING | 1 | |
| 7 | 93306-30611 | 93306-30615 | 1 | |
| 8 | 36X-11631-00-A0 | PISTON (STD) | 1 | |
| 8 | 36X-11636-00 | PISTON (050MM O/S) | 1 | AP |
| 8 | 36X-11638-00 | PISTON (100MM O/S) | 1 | AP |
| 9 | 15A-11603-00 | PISTON RING SET (STD) | 1 | |
| 9 | 15A-11605-00 | PISTON RING SET (050MM O/S) | 1 | AP |
| 9 | 15A-11607-00 | PISTON RING SET (100MM O/S) | 1 | AP |
| 10 | 15A-11633-00 | PIN, PISTON | 1 | |
| 11 | 93450-17044 | CIRCLIP | 2 | |
| 12 | 90201-201E4 | WASHER, PLATE | 1 | |
| 13 | 5H0-11496-00 | BOSS, BUFFER | 1 | |
| 14 | 90501-21133 | SPRING, COMPRESSION | 6 | |
| 15 | 93605-10090 | PIN, DOWEL | 3 | |
| 16 | 5H0-11536-00 | GEAR, DRIVE (38T) | 1 | |
| 17 | 90214-20023 | WASHER, CLAW | 1 | |
| 18 | 90240-07083 | PIN, CLEVIS | 1 | |
| 19 | 90501-07629 | SPRING, COMPRESSION | 1 | |
| 20 | 93602-13177 | PIN, DOWEL | 1 | |
| 21 | 5H0-11531-00 | GEAR, BALANCE WEIGHT (38T) | 1 | |
| 22 | 15A-11454-00 | WEIGHT 1 | 1 | |
| 23 | 93306-30427 | BEARING (15A) | 1 | |
| 24 | 93306-30427 | BEARING (15A) | 1 | |
| 25 | 90282-05013 | KEY, STRAIGHT (3Y1) | 1 | |
| 26 | 90215-14205 | WASHER, LOCK | 1 | |
| 27 | 90170-14284 | NUT | 1 | |
| 28 | 90280-05013 | P97 KEY, WOODRUFF C01 | 1 | |
| 29 | 90201-10508 | WASHER, PLATE | 1 | |
| 30 | 90101-10188 | BOLT | 1 | |

AG200FR(2003) - CYLINDER - VALVE

Printed 24/12/2014



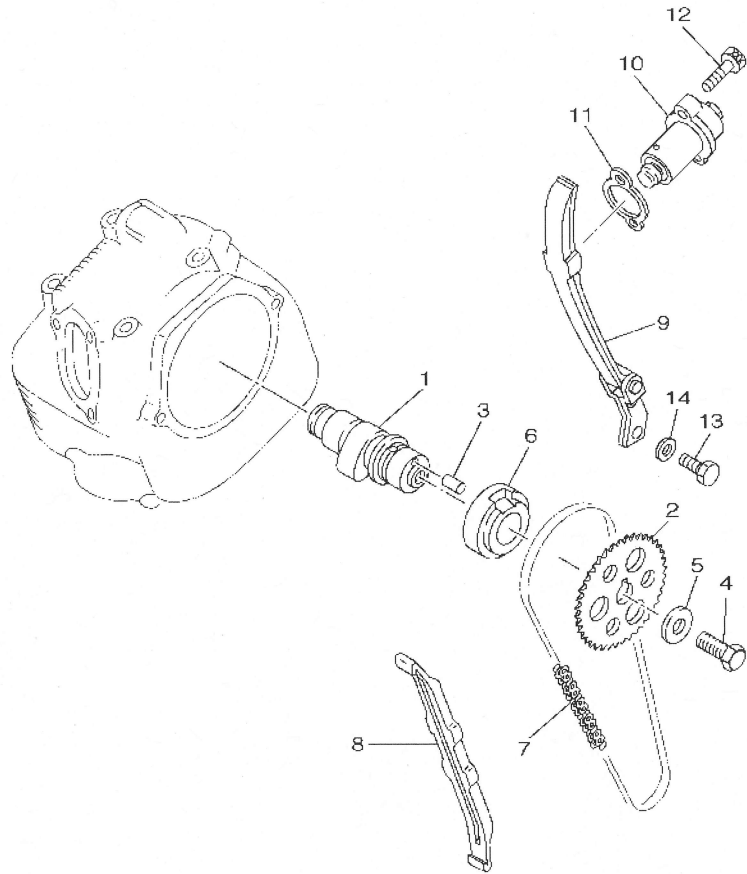
| Ref # | Part No | Description | Qty | Remarks |
|-------|--------------|------------------------|-----|---------|
| 1 | 5H0-12111-01 | VALVE, INTAKE | 1 | |
| 2 | 5H0-12121-01 | VALVE, EXHAUST | 1 | |
| 3 | 4G0-12116-01 | SEAT, VALVE SPRING | 2 | |
| 4 | 4G0-12113-01 | SPRING, VALVE INNER | 2 | YELLOW |
| 5 | 4G0-12114-01 | SPRING, VALVE OUTER | 2 | YELLOW |
| 6 | 5H0-12119-00 | SEAL, VALVE STEM | 2 | |
| 7 | 4G0-12117-00 | RETAINER, VALVE SPRING | 2 | |
| 8 | 4G0-12118-00 | COTTER, VALVE | 4 | |
| 9 | 36X-12151-00 | ARM, VALVE ROCKER | 2 | |
| 10 | 5H0-12156-00 | SHAFT, ROCKER 2 | 1 | |
| 11 | 5H0-12146-00 | SHAFT, ROCKER | 1 | |
| 12 | 93210-09165 | AA5 O-RING | 1 | |
| 13 | 2NX-12159-00 | SCREW, VALVE ADJUSTING | 2 | |
| 14 | 90170-06128 | NUT | 2 | |



36X700-3040

AG200FR(2003) - CYLINDER - CAMSHAFT. CHAIN

Printed 24/12/2014



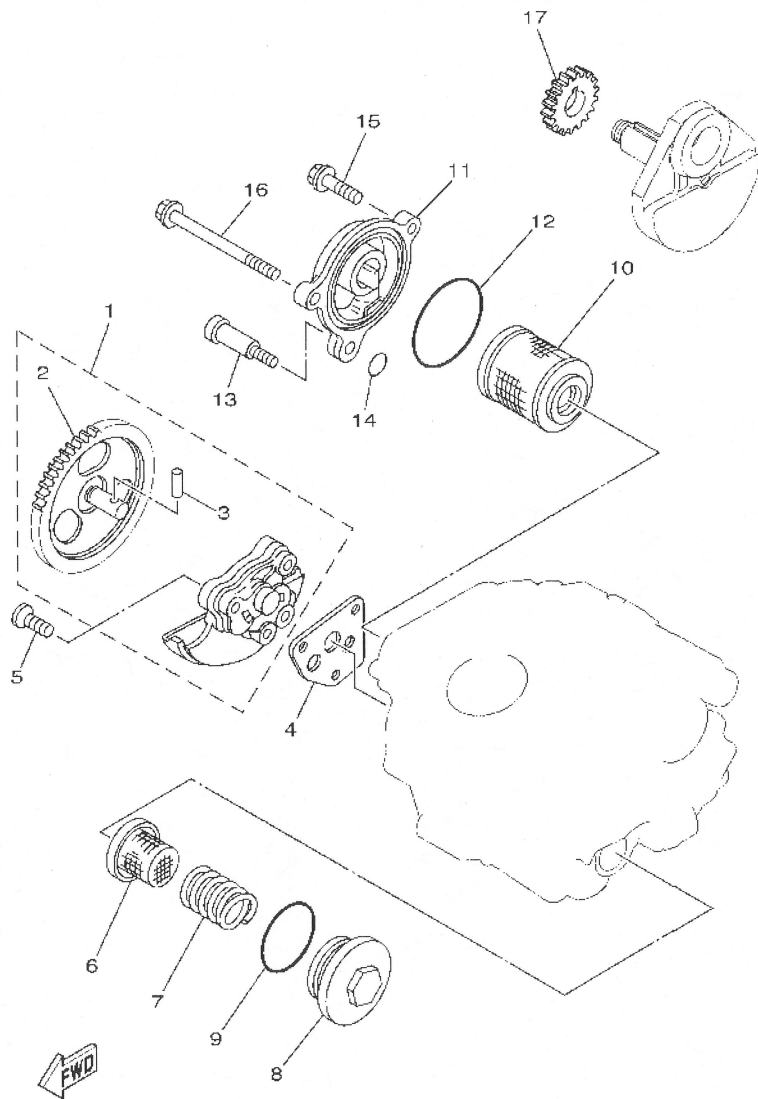
| Ref # | Part No | Description | Qty | Remarks |
|-------|--------------|--------------------------------|-----|---------|
| 1 | 36X-12171-00 | CAMSHAFT 1 | 1 | |
| 2 | 5H0-12176-00 | CAM SPROCKET(1KH=CUSHION TYPE) | 1 | |
| 3 | 93604-10011 | PIN, DOWEL | 1 | |
| 4 | 90101-10303 | BOLT | 1 | |
| 5 | 90201-10591 | 291 WASHER, PLATE | 1 | |
| 6 | 90387-255F3 | COLLAR | 1 | |
| 7 | 94580-41104 | CHAIN (DID25SH 104L) | 1 | |
| 8 | 5H0-12231-00 | GUIDE, STOPPER 1 | 1 | |
| 9 | 5N0-12241-00 | GUIDE, STOPPER 2 | 1 | |
| 10 | 3GC-12210-10 | TENSIONER ASSY, CAM CHAIN | 1 | |
| 11 | 4FM-12213-00 | GASKET, TENSIONER CASE | 1 | |
| 12 | 91317-06025 | BOLT | 2 | |
| 13 | 97027-06016 | BOLT | 2 | |
| 14 | 92907-06600 | WASHER, PLATE | 2 | |



3GXA700-7050

AG200FR(2003) - CYLINDER - OIL PUMP

Printed 24/12/2014

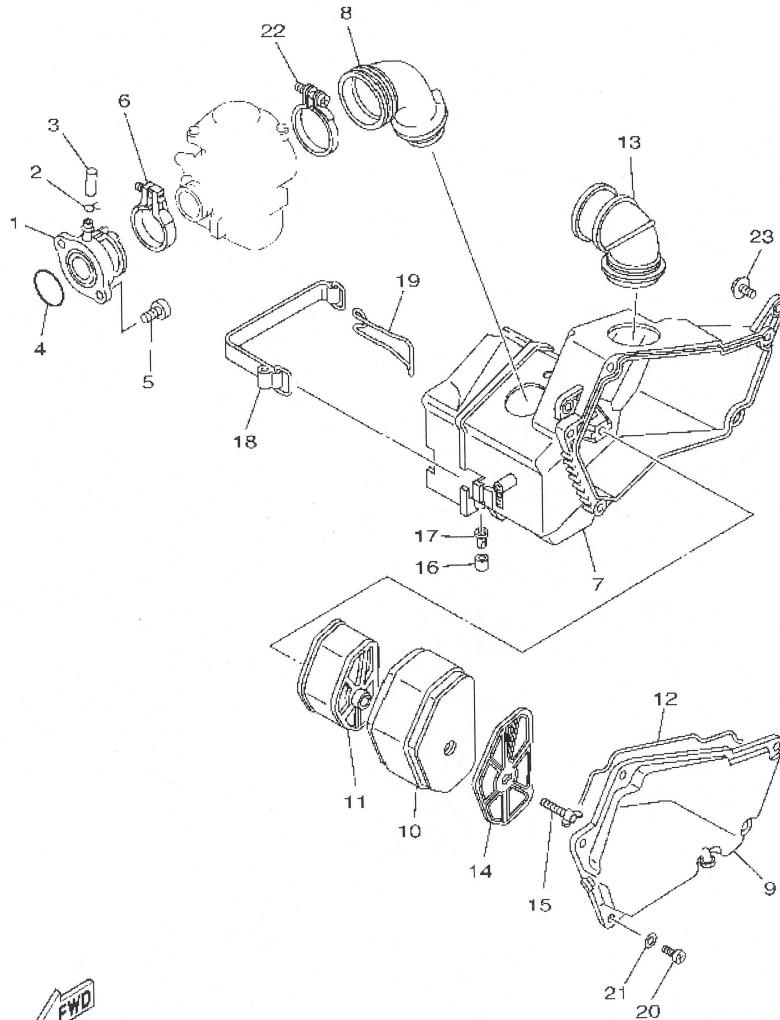


3GXG200-A060

| Ref # | Part No | Description | Qty | Remarks |
|-------|--------------|---------------------------|-----|---------|
| 1 | 5H0-13300-02 | OIL PUMP ASSY | 1 | |
| 2 | 5H0-13326-01 | GEAR, PUMP DRIVEN 2 (45T) | 1 | |
| 3 | 93603-12030 | PIN, DOWEL | 1 | |
| 4 | 4BE-13329-01 | GASKET, PUMP COVER | 1 | |
| 5 | 98707-06030 | SCREW, FLAT HEAD | 3 | |
| 6 | 51Y-13411-00 | STRAINER, OIL | 1 | |
| 7 | 90501-18576 | SPRING, COMPRESSION | 1 | |
| 8 | 5H0-15351-00 | PLUG, DRAIN | 1 | |
| 9 | 93210-347A1 | O-RING | 1 | |
| 10 | 5H0-13440-00 | OIL FILTER ASSY | 1 | |
| 11 | 3GX-13447-00 | COVER, OIL ELEMENT | 1 | |
| 12 | 93210-54175 | O-RING | 1 | |
| 13 | 90109-06419 | BOLT | 1 | |
| 14 | 93210-07135 | O-RING | 1 | |
| 15 | 95027-06025 | BOLT, FLANGE | 1 | |
| 16 | 90105-065A1 | BOLT, FLANGE | 1 | |
| 17 | 36X-13324-00 | GEAR, PUMP DRIVE | 1 | |

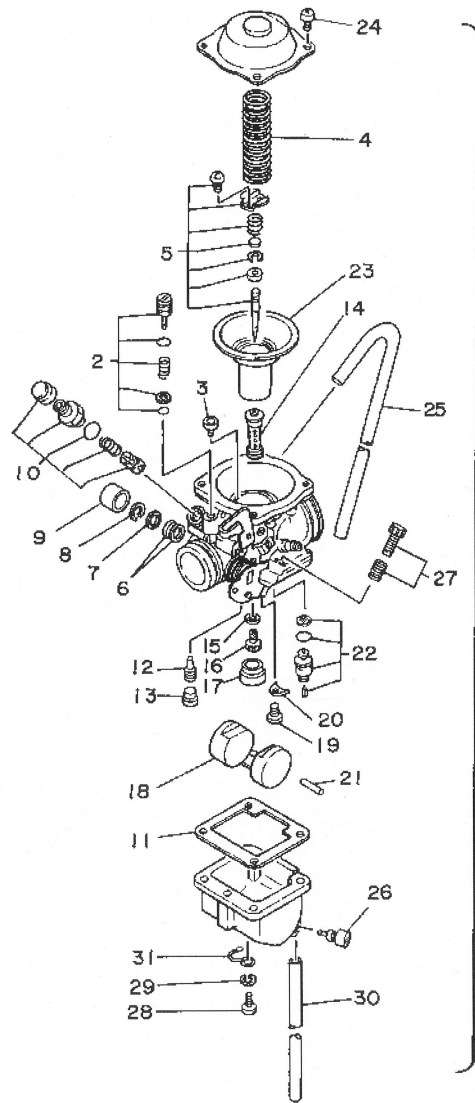
AG200FR(2003) - CYLINDER - INTAKE

Printed 24/12/2014



| Ref # | Part No | Description | Qty | Remarks |
|-------|--------------|-----------------------|-----|---------|
| 1 | 36X-13586-01 | JOINT, CARBURETOR 1 | 1 | |
| 2 | 90467-10039 | CLIP | 1 | |
| 3 | 16G-13569-00 | PLUG, BLIND | 1 | |
| 4 | 93210-35537 | O-RING | 1 | |
| 5 | 91317-06020 | BOLT | 2 | |
| 6 | 1HX-13575-00 | BAND | 1 | |
| 7 | 3GX-14401-00 | AIR CLEANER CASE A | 1 | |
| 8 | 36X-14453-01 | JOINT, AIR CLEANER 1 | 1 | |
| 9 | 36X-14412-00 | CAP, CLEANER CASE 1 | 1 | |
| 10 | 36X-14451-00 | ELEMENT, AIR CLEANER | 1 | |
| 11 | 36X-14458-00 | GUIDE | 1 | |
| 12 | 36X-14452-00 | SEAL | 1 | |
| 13 | 36X-14437-00 | DUCT | 1 | |
| 14 | 36X-14468-00 | PLATE, ELEMENT FITTIN | 1 | |
| 15 | 90122-06012 | BOLT, WING (2H7) | 1 | |
| 16 | 90387-051K7 | COLLAR (36X) | 1 | |
| 17 | 24W-13512-00 | VALVE, ROTARY | 1 | |
| 18 | 3GX-82131-00 | BAND, BATTERY | 1 | |
| 19 | 3GX-82124-00 | BAND, BATTERY | 1 | |
| 20 | 98507-05016 | SCREW, PAN HEAD | 5 | |
| 21 | 92907-05600 | WASHER, PLATE | 5 | |
| 22 | 90460-56105 | CLAMP, HOSE | 1 | |
| 23 | 95807-06016 | BOLT, FLANGE | 2 | |


3GXF700-B070

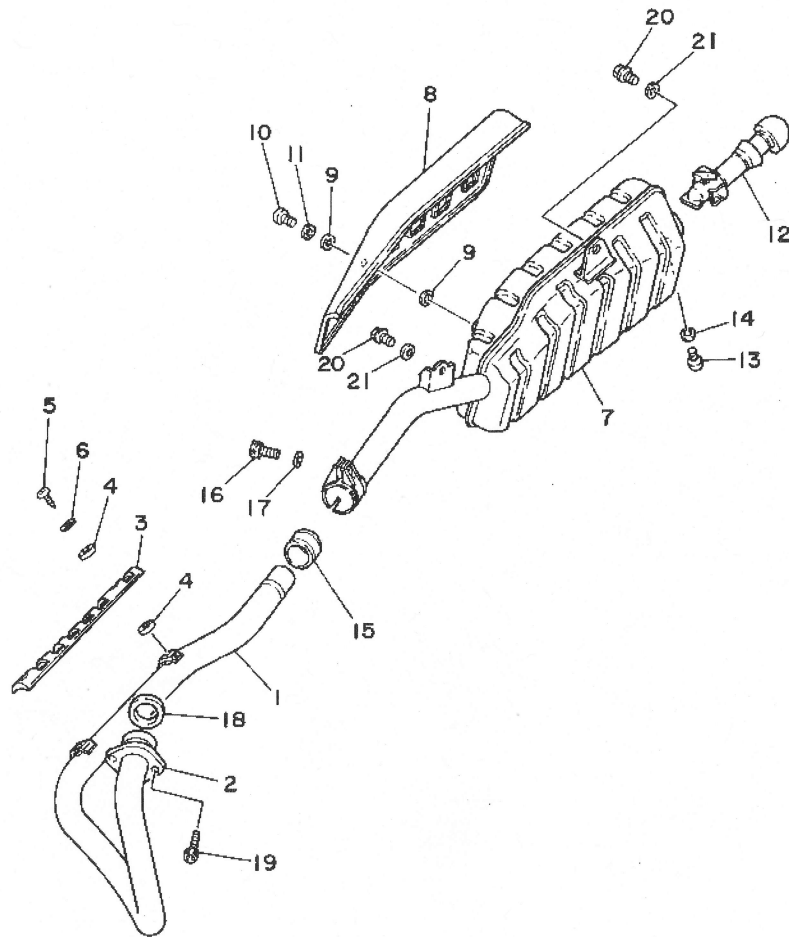


36X700-3080

| Ref # | Part No | Description | Qty | Remarks |
|-------|--------------|--------------------------|-----|---------|
| 1 | 36X-14901-01 | CARBURETOR ASSY 1 | 1 | |
| 2 | 36X-14105-00 | PILOT SCREW SET | 1 | |
| 3 | 3G2-14231-25 | P53 JET, MAIN (#125) B97 | 1 | |
| 4 | 36X-14933-01 | SPRING, DIAPHRAGM | 1 | |
| 5 | 36X-1490J-00 | NEEDLE SET (4FP40) | 1 | |
| 6 | 256-14997-00 | SEAL | 2 | |
| 7 | 22F-14126-00 | GASKET | 1 | |
| 8 | 812-14137-00 | CLIP | 1 | |
| 9 | 36X-14169-00 | CAP | 1 | |
| 10 | 36X-1410A-00 | STARTER SET | 1 | |
| 11 | 46X-14984-00 | GASKET, FLOAT CHAMB | 1 | |
| 12 | 4G0-14142-35 | JET,PILOT #350 | 1 | |
| 13 | 3F7-14991-00 | SCREW, PLUG | 1 | |
| 14 | 36X-14941-42 | NOZZLE, MAIN | 1 | |
| 15 | 137-14153-00 | WASHER, MAIN JET | 1 | |
| 16 | 620-14231-74 | JET, MAIN (#1175) | 1 | |
| 17 | 36X-14153-00 | WASHER, MAIN JET | 1 | |
| 18 | 4G0-14985-00 | FLOAT | 1 | |
| 19 | 97802-04006 | 213 SCREW 1005 | 1 | |
| 20 | 36X-14146-00 | PLATE | 1 | |
| 21 | 537-14186-00 | PIN, FLOAT | 1 | |
| 22 | 25G-14107-20 | NEEDLE VALVE SET | 1 | |
| 23 | 36X-14940-00 | DIAPHRAGM ASSY | 1 | |
| 24 | 97802-05008 | SCREW PANHEAD 1031 | 4 | |
| 25 | 36X-14197-00 | PIPE | 1 | |
| 26 | 36X-14191-00 | PLUG, DRAIN | 1 | |
| 27 | 36X-1490K-00 | STOP SCREW SET | 1 | |
| 28 | 98502-04014 | SCREW PAN HEAD | 4 | |
| 29 | 92902-04100 | P58 WASHER, SPRING | 4 | |
| 30 | 21V-14196-00 | PIPE, OVER FLOW | 1 | |
| 31 | 25G-14937-00 | CLIP | 1 | |

AG200FR(2003) - CYLINDER - EXHAUST

Printed 24/12/2014

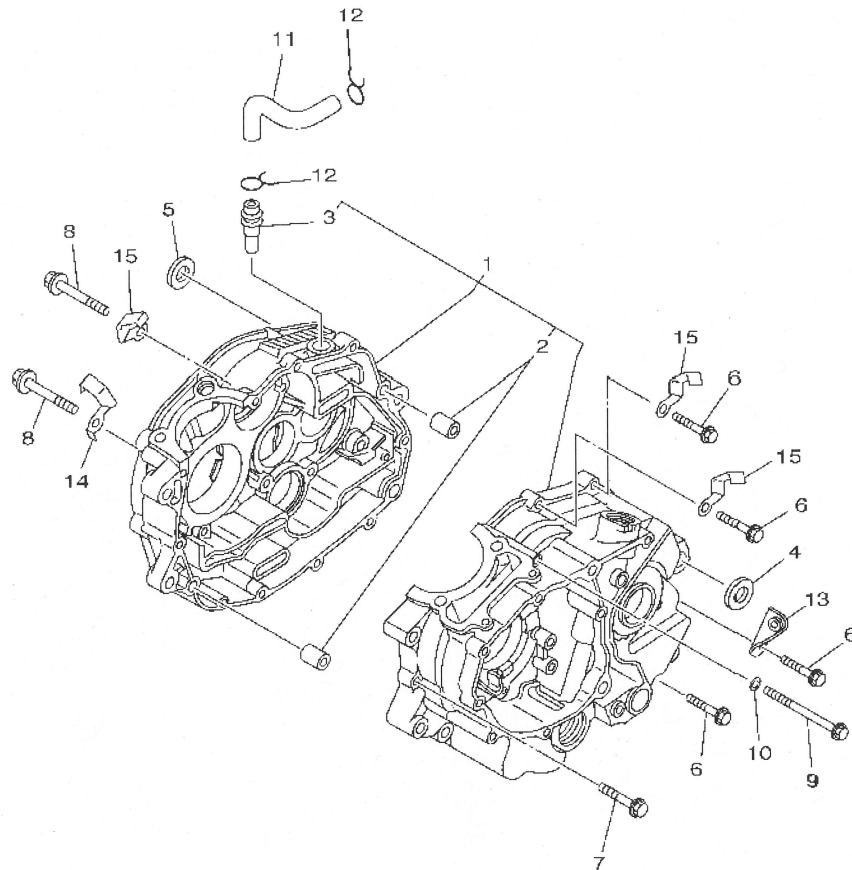


| Ref # | Part No | Description | Qty | Remarks |
|-------|--------------|----------------------|-----|---------|
| 1 | 3GX-14611-00 | PIPE, EXHAUST 1 | 1 | |
| 2 | 5H0-14612-01 | NUT, RING | 1 | |
| 3 | 36X-14628-01 | PROT EXHAUST PIP | 1 | |
| 4 | 4BD-14766-00 | WASHER, PROTECTOR | 4 | |
| 5 | 98907-06010 | SCREW, BIND | 2 | |
| 6 | 90206-06090 | WASHER, WAVE | 2 | |
| 7 | 36X-14711-01 | MUFFLER 1 | 1 | |
| 8 | 36X-14728-00 | PROTECTOR, MUFFLER 2 | 1 | |
| 9 | 4BD-14766-00 | WASHER, PROTECTOR | 4 | |
| 10 | 98907-06010 | SCREW, BIND | 2 | |
| 11 | 90206-06090 | WASHER, WAVE | 2 | |
| 12 | 36X-14752-02 | PIPE, OUTLET | 1 | |
| 13 | 98507-06010 | SCREW, PAN HEAD | 1 | |
| 14 | 92907-06600 | WASHER, PLATE | 1 | |
| 15 | 3YF-14714-00 | GASKET, MUFFLER | 1 | |
| 16 | 91317-08025 | BOLT | 1 | |
| 17 | 92907-08600 | WASHER, PLATE | 1 | |
| 18 | 4BE-14613-00 | GASKET, EXHAUST PIPE | 1 | |
| 19 | 91317-06020 | BOLT | 2 | |
| 20 | 90105-08141 | BOLT (3H5) | 2 | |
| 21 | 90201-08326 | WASHER, PLATE | 2 | |

3GX700-8090

AG200FR(2003) - CYLINDER - CRANKCASE

Printed 24/12/2014



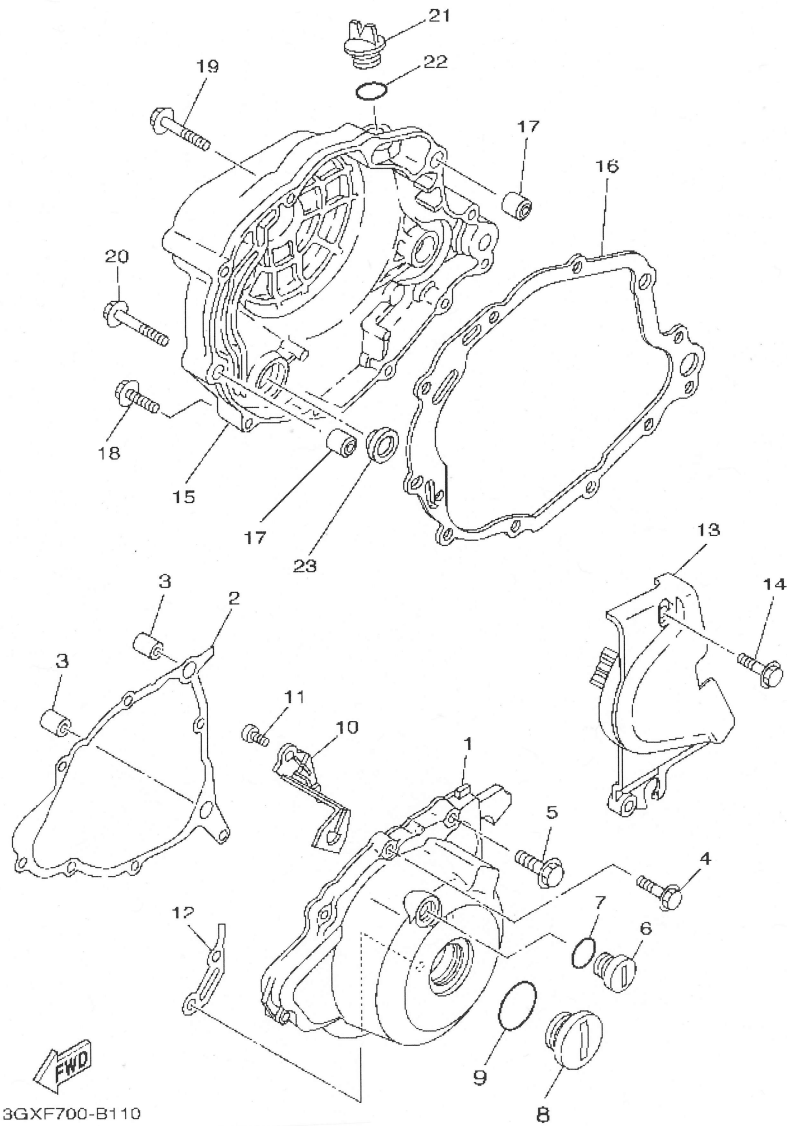
| Ref # | Part No | Description | Qty | Remarks |
|-------|--------------|--------------------|-----|---------|
| 1 | 3GX-15100-03 | CRANKCASE ASSY | 1 | |
| 2 | 99530-12016 | 311 PIN,DOWEL 1044 | 2 | |
| 3 | 371-11167-01 | PIPE, BREATHER 2 | 1 | |
| 4 | 90387-125F1 | COLLAR | 1 | |
| 5 | 90387-125F1 | COLLAR | 1 | |
| 6 | 95027-06030 | BOLT, FLANGE | 7 | |
| 7 | 95027-06040 | BOLT, FLANGE | 2 | |
| 8 | 95027-06090 | BOLT, FLANGE | 2 | |
| 9 | 95027-06085 | BOLT, FLANGE | 1 | |
| 10 | 90430-06014 | GASKET | 1 | |
| 11 | 36X-11166-00 | PIPE, BREATHER 1 | 1 | |
| 12 | 90467-14015 | CLIP | 2 | |
| 13 | 90465-08020 | CLAMP | 1 | |
| 14 | 90462-08224 | CLAMP | 1 | |
| 15 | 90462-08225 | CLAMP | 3 | |



3GXF700-B100

AG200FR(2003) - CYLINDER - CRANKCASE COVER 1

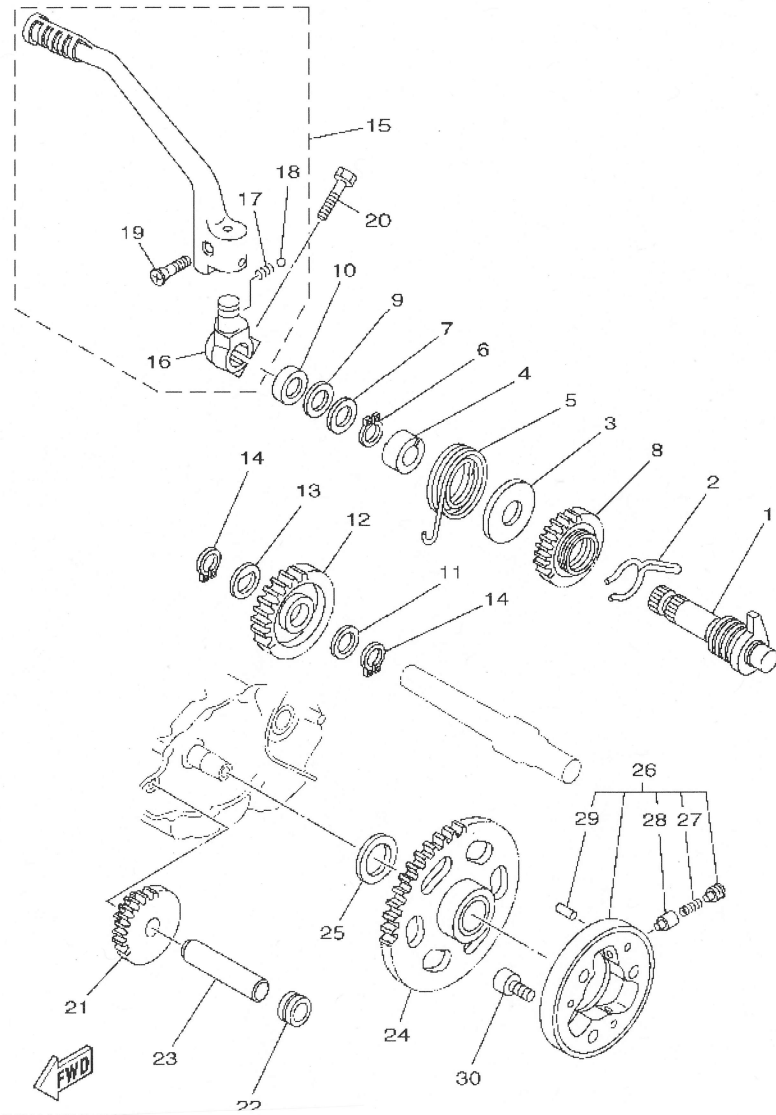
Printed 24/12/2014



| Ref # | Part No | Description | Qty | Remarks |
|-------|--------------|---------------------------|-----|---------|
| 1 | 4WP-15411-02 | COVER, CRANKCASE 1 | 1 | |
| 2 | 4BE-15451-03 | GASKET, CRANKCASE COVER 1 | 1 | |
| 3 | 99530-12016 | 311 PIN,DOWEL 1044 | 2 | |
| 4 | 95027-06025 | BOLT, FLANGE | 6 | |
| 5 | 95027-06035 | BOLT, FLANGE | 2 | |
| 6 | 90340-14068 | PLUG, STRAIGHT SCREW | 1 | |
| 7 | 93210-14369 | O-RING | 1 | |
| 8 | 90340-32116 | PLUG, STRAIGHT SCREW | 1 | |
| 9 | 93210-32172 | O-RING | 1 | |
| 10 | 90465-08364 | CLAMP | 1 | |
| 11 | 91317-06010 | BOLT | 1 | |
| 12 | 90462-16213 | CLAMP | 1 | |
| 13 | 36X-15421-01 | COVER, CRANKCASE 2 | 1 | |
| 14 | 95027-06025 | BOLT, FLANGE | 2 | |
| 15 | 3GX-15431-00 | COVER, CRANKCASE 3 | 1 | |
| 16 | 4BE-15462-00 | GASKET, CRANKCASE COVER 3 | 1 | |
| 17 | 99530-12016 | 311 PIN,DOWEL 1044 | 2 | |
| 18 | 95027-06025 | BOLT, FLANGE | 5 | |
| 19 | 95027-06035 | BOLT, FLANGE | 3 | |
| 20 | 95027-06045 | BOLT, FLANGE | 2 | |
| 21 | 3Y1-15363-00 | PLUG, OIL | 1 | |
| 22 | 93210-19123 | O-RING | 1 | |
| 23 | 3Y1-15361-00 | GAUGE, LEVEL | 1 | |

AG200FR(2003) - CYLINDER - STARTER

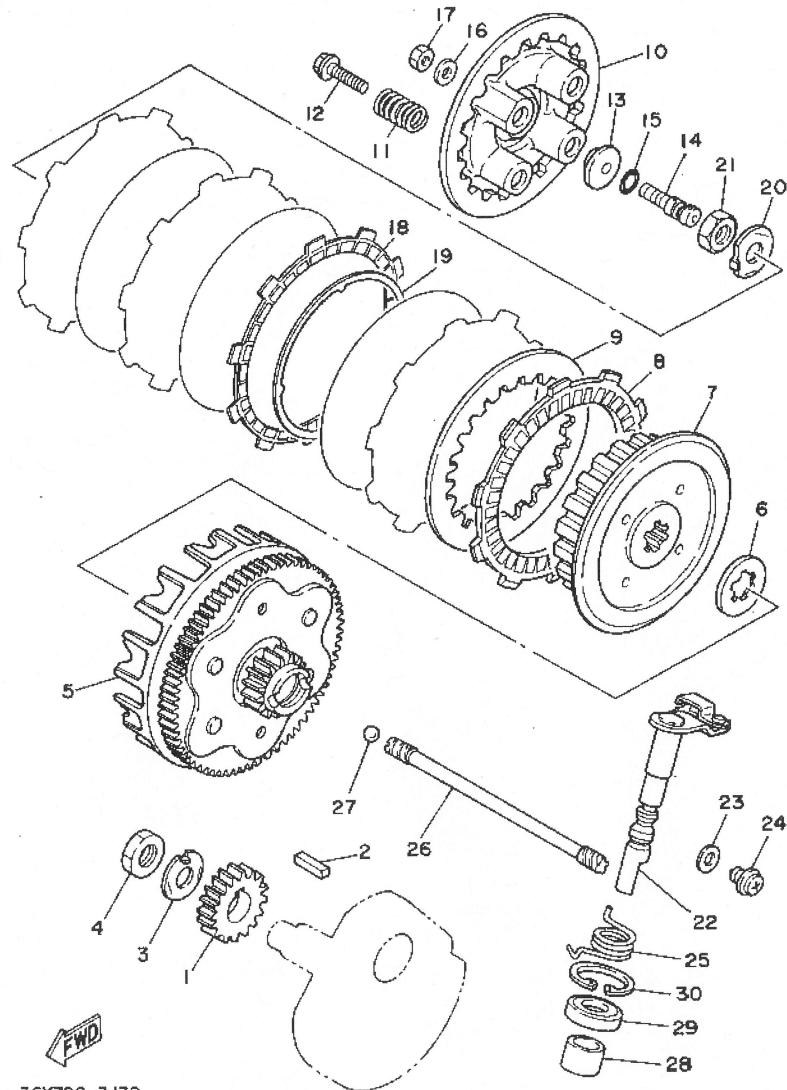
Printed 24/12/2014



| Ref # | Part No | Description | Qty | Remarks |
|-------|--------------|----------------------------|-----|---------|
| 1 | 36X-15660-01 | KICK AXLE ASSY | 1 | |
| 2 | 90468-26122 | CLIP | 1 | |
| 3 | 401-15676-00 | COVER, SPRING | 1 | |
| 4 | 15A-15666-00 | SPACER | 1 | |
| 5 | 90508-26538 | SPRING, TORSION | 1 | |
| 6 | 99009-17400 | CIRCLIP | 1 | |
| 7 | 90201-175F6 | WASHER, PLATE | 1 | |
| 8 | 36X-15641-00 | GEAR, KICK (27T) | 1 | |
| 9 | 90209-17226 | WASHER | 1 | |
| 10 | 93102-17263 | OIL SEAL | 1 | |
| 11 | 90201-173F4 | WASHER, PLATE | 1 | |
| 12 | 15A-15651-01 | GEAR, KICK IDLE (28T) | 1 | |
| 13 | 90214-17028 | WASHER, CLAW | 1 | |
| 14 | 99009-17400 | CIRCLIP | 2 | |
| 15 | 36X-15620-01 | KICK CRANK ASSY | 1 | |
| 16 | 36X-15621-02 | BOSS, KICK CRANK | 1 | |
| 17 | 90501-12081 | SPRING, COMPRESSION | 1 | |
| 18 | 93507-32009 | 303 BALL 1023 | 1 | |
| 19 | 90152-06010 | SCREW, COUNTERSUNK | 1 | |
| 20 | 97027-08030 | BOLT (2NL) | 1 | |
| 21 | 2HT-15512-00 | GEAR, IDLER 1 (41T/10T) | 1 | |
| 22 | 90387-125Y0 | COLLAR | 1 | |
| 23 | 5H0-15521-00 | SHAFT 1 | 1 | |
| 24 | 5H0-15517-00 | GEAR, IDLER 2 (56T) | 1 | |
| 25 | 90201-25290 | 294 WASHER, PLATE | 1 | |
| 26 | 4H7-15580-10 | STARTER CLUTCH OUTER ASSY | 1 | |
| 27 | 90501-04596 | SPRING, COMPRESSION | 3 | |
| 28 | 1J7-15583-01 | CAP, STARTER CLUTCH SPRING | 3 | |
| 29 | 93615-12088 | PIN, DOWEL | 3 | |
| 30 | 91317-08020 | BOLT | 3 | |

AG200FR(2003) - CYLINDER - CLUTCH

Printed 24/12/2014

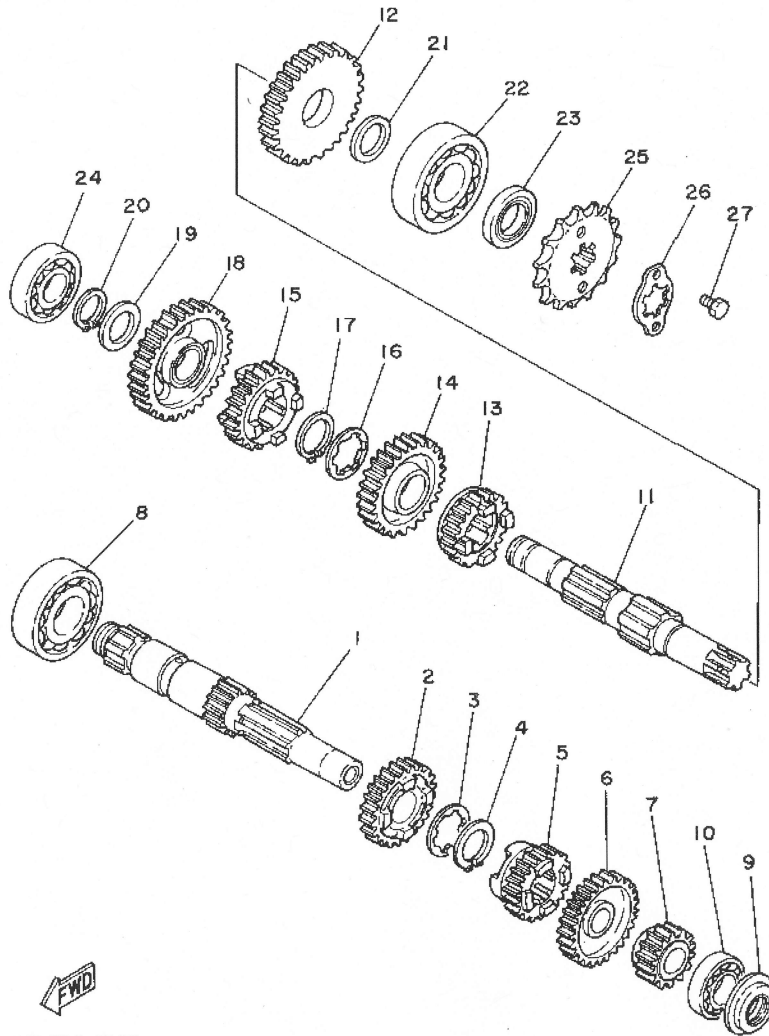


36X700-3130

| Ref # | Part No | Description | Qty | Remarks |
|-------|--------------|--------------------------|-----|---------|
| 1 | 36X-16111-00 | GEAR, PRIMARY DRIVE | 1 | |
| 2 | 90282-05043 | KEY, STRAIGHT | 1 | |
| 3 | 90215-14205 | WASHER, LOCK | 1 | |
| 4 | 90170-14284 | NUT | 1 | |
| 5 | 36X-16150-00 | PRIMARY DRIVEN GEAR C | 1 | |
| 6 | 5H0-16154-00 | PLATE, THRUST 1 | 1 | |
| 7 | 36X-16371-00 | BOSS, CLUTCH | 1 | |
| 8 | 537-16321-00 | PLATE, FRICTION | 4 | |
| 9 | 137-16324-00 | PLATE, CLUTCH | 4 | |
| 10 | 5H0-16351-00 | PLATE, PRESSURE 1 | 1 | |
| 11 | 90501-23700 | SPRING, COMPRESSION | 4 | |
| 12 | 90159-05011 | SCREW, WITH WASHER | 4 | |
| 13 | 1W1-16358-01 | PLATE, PUSH | 1 | |
| 14 | 5H0-16356-01 | PUSH ROD 1 | 1 | |
| 15 | 93210-48364 | O-RING | 1 | |
| 16 | 92907-06200 | WASHER | 1 | |
| 17 | 95307-06600 | G05 NUT(89W) XB7 | 1 | |
| 18 | 36X-16321-00 | PLATE, FRICTION | 1 | |
| 19 | 1KH-16383-00 | SPRING, CLUTCH BOSS | 1 | |
| 20 | 90215-14186 | WASHER, LOCK | 1 | |
| 21 | 90170-14284 | NUT | 1 | |
| 22 | 15A-16380-00 | PUSH LEVER ASSY | 1 | |
| 23 | 90430-08119 | P47 GASKET (583 OIL PIPE | 1 | |
| 24 | 90149-08067 | SCREW | 1 | |
| 25 | 90508-18537 | SPRING, TORSION | 1 | |
| 26 | 5H0-16357-00 | ROD, PUSH 2 | 1 | |
| 27 | 93505-16006 | BALL | 1 | |
| 28 | 90386-14103 | BUSH | 1 | |
| 29 | 93102-14209 | OIL SEAL | 1 | |
| 30 | 93420-28055 | CIRCLIP | 1 | |

AG200FR(2003) - CYLINDER - TRANSMISSION

Printed 24/12/2014

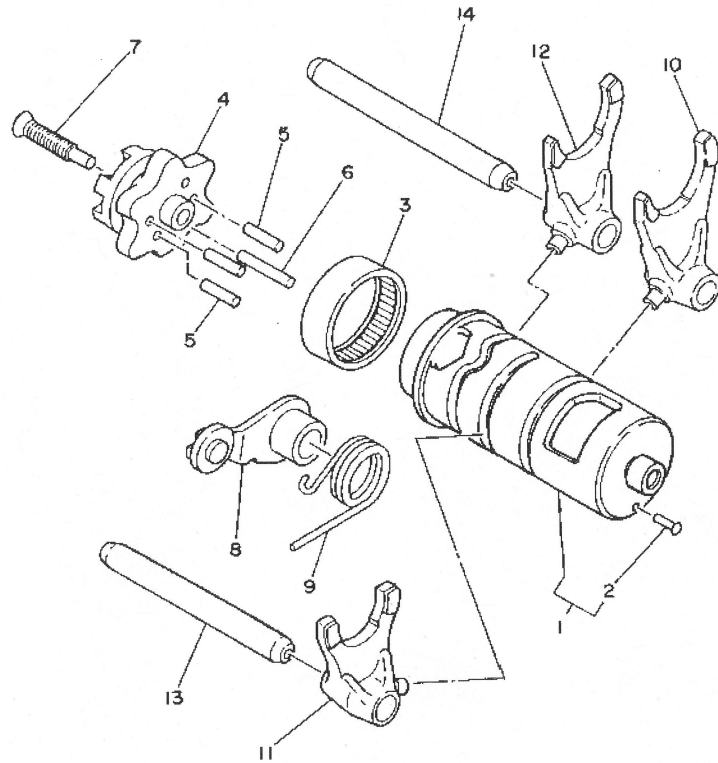


36X700-3140

| Ref # | Part No | Description | Qty | Remarks |
|-------|--------------|--------------------------------|-----|---------|
| 1 | 36X-17411-00 | AXLE, MAIN | 1 | |
| 2 | 36X-17141-01 | GEAR, 4TH PINION | 1 | |
| 3 | 90209-16209 | WASHER | 1 | |
| 4 | 93410-20038 | CIRCLIP | 1 | |
| 5 | 24W-17131-00 | GEAR, 3RD PINION | 1 | |
| 6 | 36X-17151-00 | GEAR, 5TH PINION | 1 | |
| 7 | 24W-17121-00 | GEAR, 2ND PINION | 1 | |
| 8 | 93306-20401 | P58 BEARING (B6204) | 1 | |
| 9 | 93101-15101 | OIL SEAL | 1 | |
| 10 | 93306-20201 | BEARING (B6202) | 1 | |
| 11 | 15A-17402-01 | DRIVE AXLE ASSY | 1 | |
| 12 | 36X-17221-01 | GEAR, 2ND WHEEL | 1 | |
| 13 | 36X-17251-00 | GEAR, 5TH WHEEL | 1 | |
| 14 | 24W-17231-00 | GEAR, 3RD WHEEL | 1 | |
| 15 | 36X-17241-01 | GEAR, 4TH WHEEL | 1 | |
| 16 | 90209-18208 | WASHER | 1 | |
| 17 | 93410-22039 | CIRCLIP | 1 | |
| 18 | 36X-17211-00 | GEAR, 1ST WHEEL | 1 | |
| 19 | 90201-17257 | WASHER, PLATE | 1 | |
| 20 | 99009-17400 | CIRCLIP | 1 | |
| 21 | 90201-203E7 | WASHER, PLATE | 1 | |
| 22 | 93306-30424 | BEARING (B6304A3) | 1 | |
| 23 | 93102-20004 | OIL SEAL | 1 | |
| 24 | 93306-20332 | BEARING | 1 | |
| 25 | 93822-14043 | SPKT 14T,13T=25A-39,15T-5H0-15 | 1 | |
| 26 | 5H0-17456-00 | HOLDER, SPROCKET | 1 | |
| 27 | 97027-06010 | BOLT(6TC) | 2 | |

AG200FR(2003) - CYLINDER - SHIFT CAM. FORK

Printed 24/12/2014



| Ref # | Part No | Description | Qty | Remarks |
|-------|--------------|-------------------------|-----|---------|
| 1 | 36X-18540-00 | SHIFT CAM ASSY | 1 | |
| 2 | 136-18542-00 | POINT, NEUTRAL | 1 | |
| 3 | 93315-23607 | BEARING | 1 | |
| 4 | 5H0-18185-01 | SEGMENT | 1 | |
| 5 | 93604-16092 | PIN, DOWEL | 4 | |
| 6 | 93604-20156 | PIN, DOWEL | 1 | |
| 7 | 90151-06013 | SCREW, COUNTERSUNK | 1 | |
| 8 | 4G0-18140-00 | STOPPER LEVER ASSY | 1 | |
| 9 | 90508-26539 | SPRING, TORSION | 1 | |
| 10 | 36X-18513-00 | FORK, SHIFT 3 | 1 | |
| 11 | 4JG-18511-00 | FORK, SHIFT 1 | 1 | |
| 12 | 4JG-18512-01 | FORK, SHIFT 2 | 1 | |
| 13 | 3GX-18531-00 | BAR, SHIFT FORK GUIDE 1 | 1 | |
| 14 | 3GX-18535-00 | BAR, SHIFT FORK GUIDE 2 | 1 | |

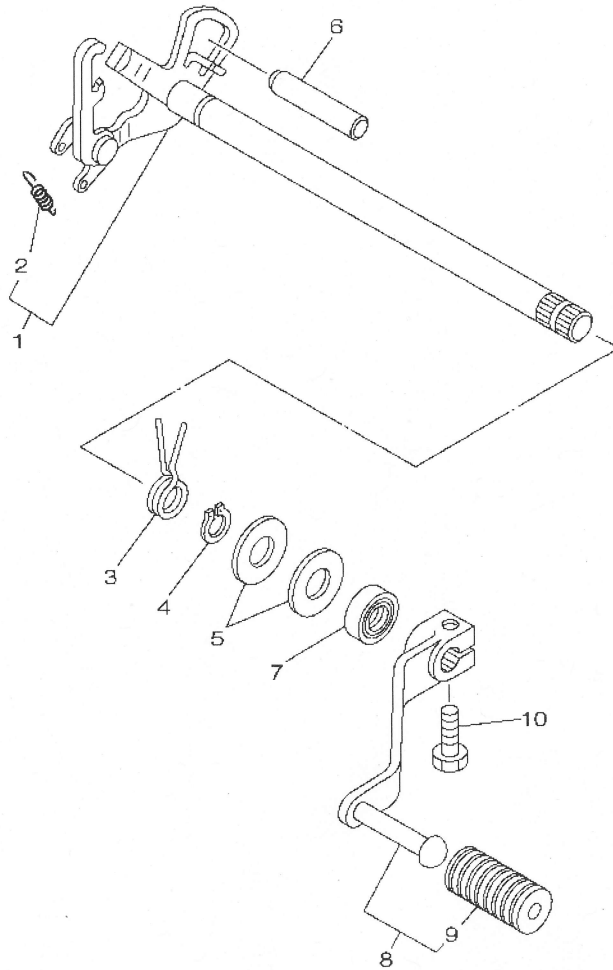


36X700-3151

AG200FR(2003) - CYLINDER - SHIFT SHAFT

Printed 24/12/2014

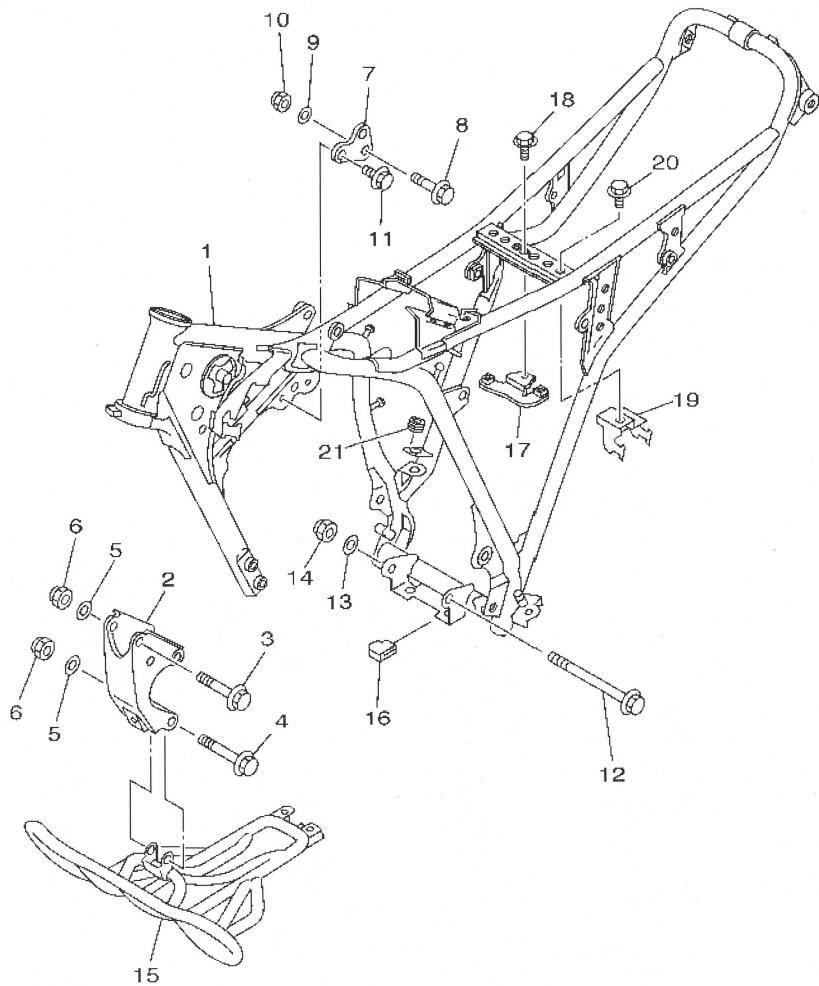
| Ref # | Part No | Description | Qty | Remarks |
|-------|--------------|--------------------|-----|---------|
| 1 | 5H0-18120-02 | SHIFT LEVER ASSY | 1 | |
| 2 | 90506-08227 | SPRING, TENSION | 1 | |
| 3 | 90508-29540 | SPRING, TORSION | 1 | |
| 4 | 99001-10600 | CIRCLIP (10A) | 1 | |
| 5 | 90201-12588 | WASHER, PLATE | 2 | |
| 6 | 93608-50158 | PIN, DOWEL | 1 | |
| 7 | 93102-12106 | OIL SEAL (12X22X5) | 1 | |
| 8 | 1RL-18110-00 | SHIFT PEDAL ASSY | 1 | |
| 9 | 132-18113-01 | COVER, SHIFT PEDAL | 1 | |
| 10 | 97027-06020 | BOLT(6T5) | 1 | |



3GXA700-7160

AG200FR(2003) - CYLINDER - FRAME

Printed 24/12/2014

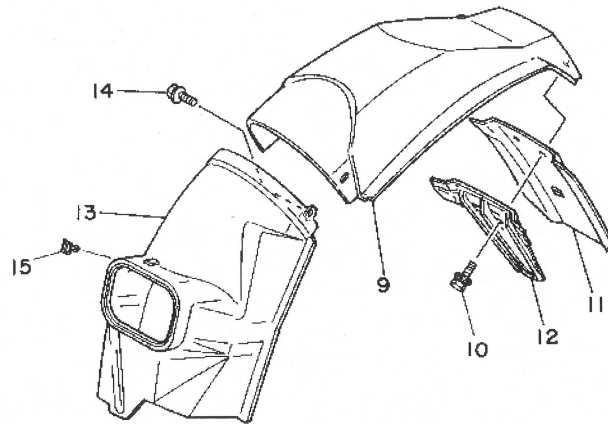


3GXF700-B170

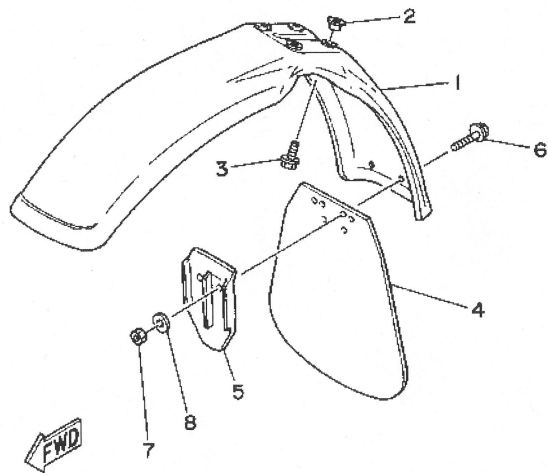
| Ref # | Part No | Description | Qty | Remarks |
|-------|-----------------|--------------------|-----|---------|
| 1 | 3GX-21110-10-33 | FRAME COMP | 1 | YB |
| 2 | 1RL-21316-00-33 | STAY, ENGINE 3 | 1 | YB |
| 3 | 95817-08065 | BOLT, FLANGE | 3 | |
| 4 | 95817-08070 | BOLT, FLANGE | 1 | |
| 5 | 90201-08366 | P97 WASHER PLATE | 4 | |
| 6 | 90185-08089 | NUT, SELF-LOCKING | 4 | |
| 7 | 36X-21315-00 | STAY, ENGINE 2 | 1 | |
| 8 | 95817-08050 | BOLT, FLANGE | 1 | |
| 9 | 90201-08366 | P97 WASHER PLATE | 1 | |
| 10 | 90185-08089 | NUT, SELF-LOCKING | 1 | |
| 11 | 90105-08066 | BOLT, FLANGE | 2 | |
| 12 | 95827-08120 | BOLT, FLANGE | 1 | |
| 13 | 90201-08366 | P97 WASHER PLATE | 1 | |
| 14 | 90185-08089 | NUT, SELF-LOCKING | 1 | |
| 15 | 36X-21471-10-35 | PROTECTOR, ENGINE | 1 | SL |
| 16 | 36X-21485-00 | DAMPER, RUBBER 1 | 2 | |
| 17 | 3GX-21287-00 | BRACKET, REGULATOR | 1 | |
| 18 | 95807-06008 | BOLT, FLANGE | 1 | |
| 19 | 3GX-2134E-00 | BRACKET, RELAY | 1 | |
| 20 | 95807-06008 | BOLT, FLANGE | 1 | |
| 21 | 90480-14229 | GROMMET | 1 | |

AG200FR(2003) - CYLINDER - FENDER

Printed 24/12/2014



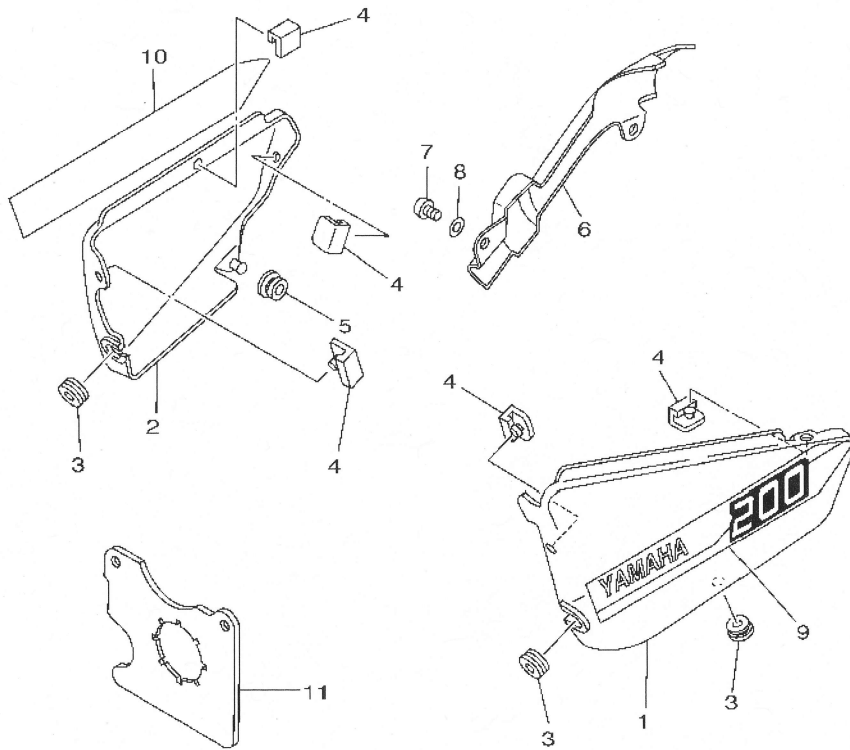
| Ref # | Part No | Description | Qty | Remarks |
|-------|--------------|--------------------------|-----|---------|
| 1 | 36X-21511-60 | FENDER, FRONT SPACE BLUE | 1 | SBE |
| 2 | 90387-062V8 | COLLAR(2WG) | 4 | |
| 3 | 90119-06063 | BOLT, WITH WASHER | 4 | |
| 4 | 36X-21521-00 | FLAP, FRONT FENDER | 1 | |
| 5 | 36X-21522-00 | BAND, FLAP | 1 | |
| 6 | 90159-06085 | SCREW, WITH WASHER | 2 | |
| 7 | 95307-06700 | P95 NUT(JN5) | 2 | |
| 8 | 90201-06557 | WASHER, PLATE | 2 | |
| 9 | 36X-21611-40 | FENDER, REAR SPACE BLUE | 1 | SBE |
| 10 | 90119-06097 | P57 BOLT, WITH WASHER | 2 | |
| 11 | 36X-21621-00 | FLAP | 1 | |
| 12 | 36X-21622-00 | BAND, FLAP | 1 | |
| 13 | 36X-21629-01 | GUARD, MUD | 1 | |
| 14 | 90119-06063 | BOLT, WITH WASHER | 2 | |
| 15 | 90464-13249 | CLAMP | 2 | |



36X700-3180

AG200FR(2003) - CYLINDER - SIDE COVER

Printed 24/12/2014



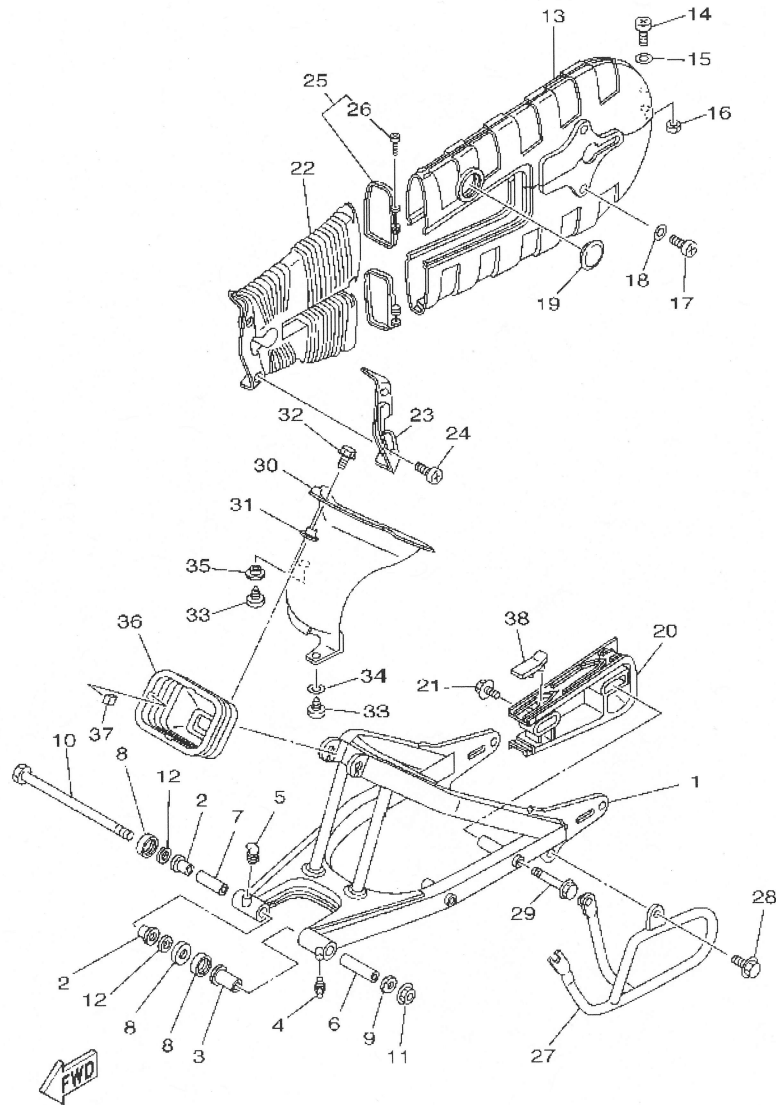
| Ref # | Part No | Description | Qty | Remarks |
|-------|--------------|--------------------------|-----|---------|
| 1 | 36X-21711-40 | COVER, SIDE 1 SPACE BLUE | 1 | SBE |
| 2 | 36X-21721-40 | COVER, SIDE 2 SPACE BLUE | 1 | SBE |
| 3 | 90480-12320 | GROMMET | 3 | |
| 4 | 3M7-21746-00 | DAMPER | 5 | |
| 5 | 90480-01558 | GROMMET | 1 | |
| 6 | 36X-2172A-00 | PANEL 1 | 1 | |
| 7 | 98507-06012 | SCREW, PAN HEAD | 2 | |
| 8 | 92907-06600 | WASHER, PLATE | 2 | |
| 9 | 3GX-2173E-30 | GRAPHIC 1 | 1 | |
| 10 | 3GX-2173F-30 | GRAPHIC 2 | 1 | |
| 11 | 36X-2177F-00 | COVER | 1 | |



3GXF700-B190

AG200FR(2003) - CYLINDER - REAR ARM

Printed 24/12/2014

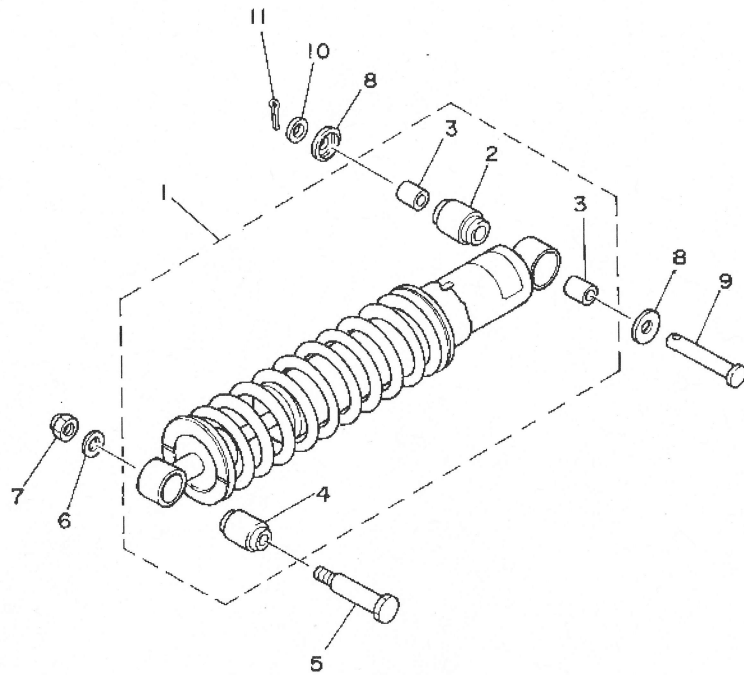


3GXF/00-B200

| Ref # | Part No | Description | Qty | Remarks |
|-------|-----------------|--------------------------------|-----|---------|
| 1 | 36X-22110-00-35 | REAR ARM COMP | 1 | SL |
| 2 | 15A-22123-00 | BUSH 1 | 2 | |
| 3 | 90386-18028 | BUSH | 1 | |
| 4 | 93700-06004 | NIPPLE, GREASE | 1 | |
| 5 | 93700-06009 | NIPPLE, GREASE | 1 | |
| 6 | 36X-22126-00 | COLLAR, *(CAN USE 90387-124M4) | 1 | |
| 7 | 36X-22126-10 | COLLAR, DISTANCE | 1 | |
| 8 | 401-22128-01 | COVER, THRUST 1 | 3 | |
| 9 | 93109-18020 | OIL SEAL | 1 | |
| 10 | 36X-22141-01 | SHAFT, PIVOT | 1 | |
| 11 | 90185-12072 | NUT, SELF-LOCKING | 1 | |
| 12 | 401-22127-00 | SHIM | 1 | UN |
| 13 | 36X-22310-00-35 | CHAIN CASE ASSY | 1 | SL |
| 14 | 98507-06045 | SCREW, PAN HEAD | 1 | |
| 15 | 92907-06600 | WASHER, PLATE | 1 | |
| 16 | 95607-06200 | NUT, SELF U-FLANGE | 1 | |
| 17 | 98507-06016 | SCREW, PAN HEAD | 2 | |
| 18 | 92907-06600 | WASHER, PLATE | 2 | |
| 19 | 148-22315-00 | CAP | 1 | |
| 20 | 36X-22358-00 | SEAL 1 | 1 | |
| 21 | 90119-06074 | BOLT, WITH WASHER | 1 | |
| 22 | 36X-22325-00 | COVER, DUST | 1 | |
| 23 | 36X-22324-00 | STAY, DUST COVER | 1 | |
| 24 | 98507-05008 | SCREW, PAN HEAD | 2 | |
| 25 | 36X-22323-00 | STAY, CHAIN CASE 3 | 2 | |
| 26 | 98507-04030 | SCREW, PAN | 1 | |
| 27 | 36X-22318-00 | GUARD, CHAIN | 1 | |
| 28 | 95807-08012 | BOLT, FLANGE(JN5) | 2 | |
| 29 | 95827-08090 | BOLT, FLANGE | 1 | |
| 30 | 36X-22327-01 | MUD GUARD 1 | 1 | |
| 31 | 90387-06681 | COLLAR | 1 | |
| 32 | 95807-06016 | BOLT, FLANGE | 1 | |
| 33 | 97707-50512 | SCREW, TAPPING | 2 | |
| 34 | 90201-05032 | WASHER, PLATE | 1 | |
| 35 | 90387-061M0 | COLLAR | 1 | |
| 36 | 36X-22189-00 | BOOT, RUBBER | 1 | |
| 37 | 90468-06134 | CLIP (36X) | 4 | |
| 38 | 36X-22151-00 | SEAL, GUARD | 1 | |

AG200FR(2003) - CYLINDER - REAR SUSPENSION

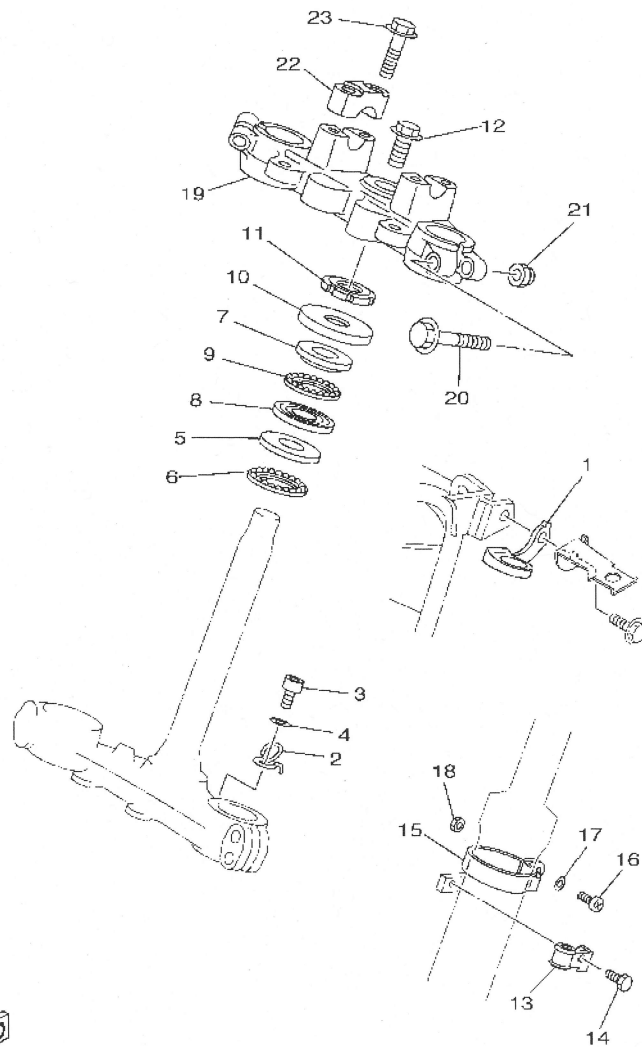
Printed 24/12/2014



| Ref # | Part No | Description | Qty | Remarks |
|-------|--------------|----------------------------|-----|---------|
| 1 | 36X-22210-20 | SHOCK ABSORBER ASSY | 1 | |
| 2 | 3R4-22226-00 | BUSH, SHOCK ABSORBER LOWER | 1 | |
| 3 | 90380-12051 | BUSH, SOLID | 2 | |
| 4 | 1YW-22216-00 | BUSH, REAR SHOCK ABSORBER | 1 | |
| 5 | 90109-10554 | BOLT | 1 | |
| 6 | 90201-10126 | 301 WASHER, PLATE 1019 | 1 | |
| 7 | 95607-10100 | NUT, U | 1 | |
| 8 | 1W1-22128-00 | COVER, THRUST 1 | 2 | |
| 9 | 90240-12092 | PIN, CLEVIS | 1 | |
| 10 | 92907-12600 | WASHER, PLATE | 1 | |
| 11 | 91401-25020 | 969 PIN, COTTER | 1 | |



36X700-3210



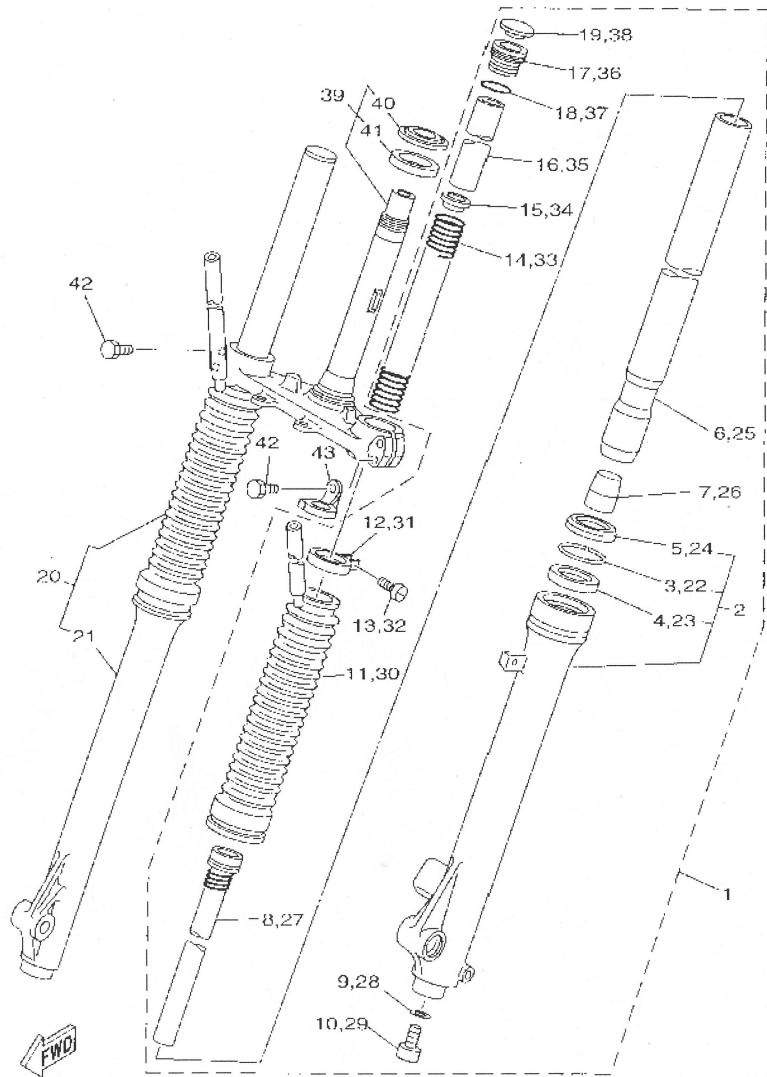
| Ref # | Part No | Description | Qty | Remarks |
|-------|-----------------|------------------------|-----|---------|
| 1 | 36X-23389-00 | GUIDE, CABLE | 1 | |
| 2 | 36X-2331E-00 | GUIDE, CABLE | 1 | |
| 3 | 98507-06012 | SCREW, PAN HEAD | 1 | |
| 4 | 92907-06600 | WASHER, PLATE | 1 | |
| 5 | 156-23412-00 | RACE, BALL 2 | 1 | |
| 6 | 156-2341E-00 | RETAINER, BALL BEARING | 1 | |
| 7 | 22F-23411-01 | RACE, BALL 1 | 1 | |
| 8 | 22F-23412-01 | RACE, BALL 2 | 1 | |
| 9 | 22F-2341E-00 | RETAINER, BALL BEARING | 1 | |
| 10 | 36X-23416-00 | COVER, BALL RACE 2 | 1 | |
| 11 | 90179-25033 | NUT | 1 | |
| 12 | 90105-14102 | BOLT, FLANGE | 1 | |
| 13 | 3Y1-23319-00 | HOLDER, CABLE 2 | 1 | |
| 14 | 95807-06012 | BOLT, FLANGE(4MY) | 1 | |
| 15 | 3R9-23318-00 | HOLDER, CABLE 1 | 1 | |
| 16 | 98507-05016 | SCREW, PAN HEAD | 1 | |
| 17 | 92907-05600 | WASHER, PLATE | 1 | |
| 18 | 95307-05600 | NUT | 1 | |
| 19 | 36X-23435-00 | CROWN, HANDLE | 1 | |
| 20 | 95827-10060 | BOLT, FLANGE(8BE) | 2 | |
| 21 | 90185-10091 | NUT, SELF-LOCKING | 2 | |
| 22 | 1E6-23441-10-98 | HOLDER HANDLE UPPER | 2 | LGB |
| 23 | 95827-08035 | BOLT FLANGE | 4 | |



3GXF700-B220

AG200FR(2003) - CYLINDER - FRONT FORK

Printed 24/12/2014

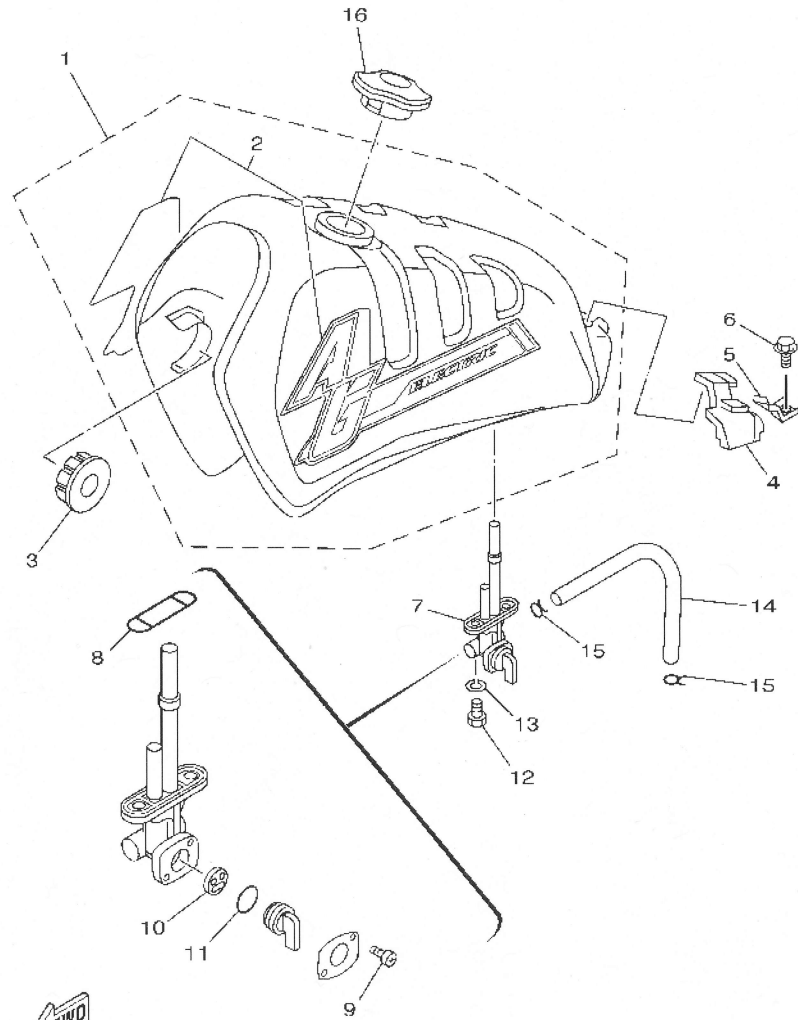


3GXA/00-/230

| Ref # | Part No | Description | Qty | Remarks |
|-------|-----------------|---------------------------|-----|---------|
| 1 | 36X-23102-20 | FRONT FORK ASSY (L | 1 | |
| 2 | 36X-23107-00-35 | OUTER TUBE COMP | 1 | SL |
| 3 | 4A1-23156-00 | CLIP, OIL SEAL | 1 | |
| 4 | 1T3-23145-00 | FORK SEAL 35X48X10 | 1 | |
| 5 | 3R2-23144-00 | SEAL , DUST | 1 | |
| 6 | 36X-23110-00 | INNER TUBE COMP | 1 | |
| 7 | 1W1-23173-L0 | SPINDLE, TAPER | 1 | |
| 8 | 36X-23170-00 | CYLINDER COMP, F/FOR | 1 | |
| 9 | 509-23158-L0 | GASKET | 1 | |
| 10 | 278-23181-50 | BOLT, HEXAGON SOCKET HEAD | 1 | |
| 11 | 36X-23191-10 | BOOT | 1 | |
| 12 | 36X-23192-00 | BAND | 1 | |
| 13 | 4V2-23194-L0 | SCREW BOOT BAND | 1 | |
| 14 | 36X-23141-00 | SPRING, FRONT FORK | 1 | |
| 15 | 3DM-23149-10 | WASHER, SPRING UPPER | 1 | |
| 16 | 2JL-23118-00 | SPACER | 1 | |
| 17 | 1U6-23111-M1 | CAP BOLT,FRONT FORK | 1 | |
| 18 | 240-23114-00 | GASKET | 1 | |
| 19 | 1U6-23168-M0 | CAP FRONT FORK | 1 | |
| 20 | 36X-23103-20 | FRONT FORK ASSY (R | 1 | |
| 21 | 36X-23106-00-35 | OUTER TUBE COMP | 1 | SL |
| 22 | 4A1-23156-00 | CLIP, OIL SEAL | 1 | |
| 23 | 1T3-23145-00 | FORK SEAL 35X48X10 | 1 | |
| 24 | 3R2-23144-00 | SEAL , DUST | 1 | |
| 25 | 36X-23110-00 | INNER TUBE COMP | 1 | |
| 26 | 1W1-23173-L0 | SPINDLE, TAPER | 1 | |
| 27 | 36X-23170-00 | CYLINDER COMP, F/FOR | 1 | |
| 28 | 509-23158-L0 | GASKET | 1 | |
| 29 | 278-23181-50 | BOLT, HEXAGON SOCKET HEAD | 1 | |
| 30 | 36X-23191-10 | BOOT | 1 | |
| 31 | 36X-23192-00 | BAND | 1 | |
| 32 | 4V2-23194-L0 | SCREW BOOT BAND | 1 | |
| 33 | 36X-23141-00 | SPRING, FRONT FORK | 1 | |
| 34 | 3DM-23149-10 | WASHER, SPRING UPPER | 1 | |
| 35 | 2JL-23118-00 | SPACER | 1 | |
| 36 | 1U6-23111-M1 | CAP BOLT,FRONT FORK | 1 | |
| 37 | 240-23114-00 | GASKET | 1 | |
| 38 | 1U6-23168-M0 | CAP FRONT FORK | 1 | |
| 39 | 36X-23340-01 | UNDER BRACKET COMP | 1 | |
| 40 | 156-23411-00 | RACE, BALL 1 | 1 | |
| 41 | 164-23462-00 | SEAL, STEERING | 1 | |
| 42 | 3YF-23181-00 | BOLT, HEXAGON SOCKE | 4 | |
| 43 | 3R4-23389-00 | GUIDE, CABLE | 1 | |

AG200FR(2003) - CYLINDER - FUEL TANK

Printed 24/12/2014

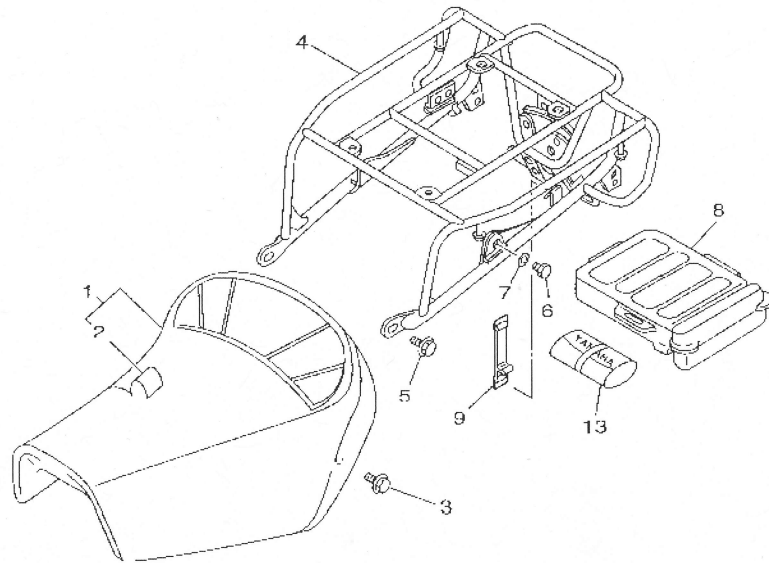


3GXF700-B240

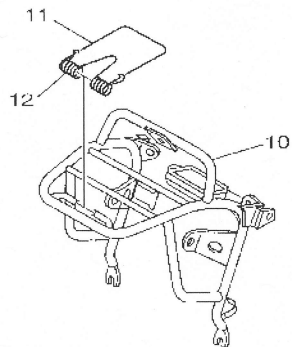
| Ref # | Part No | Description | Qty | Remarks |
|-------|-----------------|---------------------------|-----|---------|
| 1 | 36X-Y2410-10-01 | F/TANK ELECTRIC START SBE | 1 | SBE |
| 2 | 3GX-24240-30 | GRAPHIC SET | 1 | |
| 3 | 4H7-24181-00 | DAMPER, LOCATING 1 | 2 | |
| 4 | 36X-24182-00 | DAMPER, LOCATING 2 | 1 | |
| 5 | 36X-24186-00 | WASHER, SPECIAL | 2 | |
| 6 | 95807-06016 | BOLT, FLANGE | 2 | |
| 7 | 23F-24500-01 | FUEL COCK | 1 | |
| 8 | 4X8-24512-00 | O-RING | 1 | |
| 9 | 97801-03008 | SCREW, PAN HEAD | 2 | |
| 10 | 3AJ-24523-00 | VALVE PACKING | 1 | |
| 11 | 3AJ-24534-00 | SEAL, COCK | 1 | |
| 12 | 90149-06011 | SCREW | 2 | |
| 13 | 90202-05193 | WASHER, PLATE(3GM) | 2 | |
| 14 | 90445-10638 | HOSE | 1 | |
| 15 | 90467-09006 | CLIP | 2 | |
| 16 | 36X-24610-00 | CAP ASSY | 1 | |

AG200FR(2003) - CYLINDER - SEAT

Printed 24/12/2014



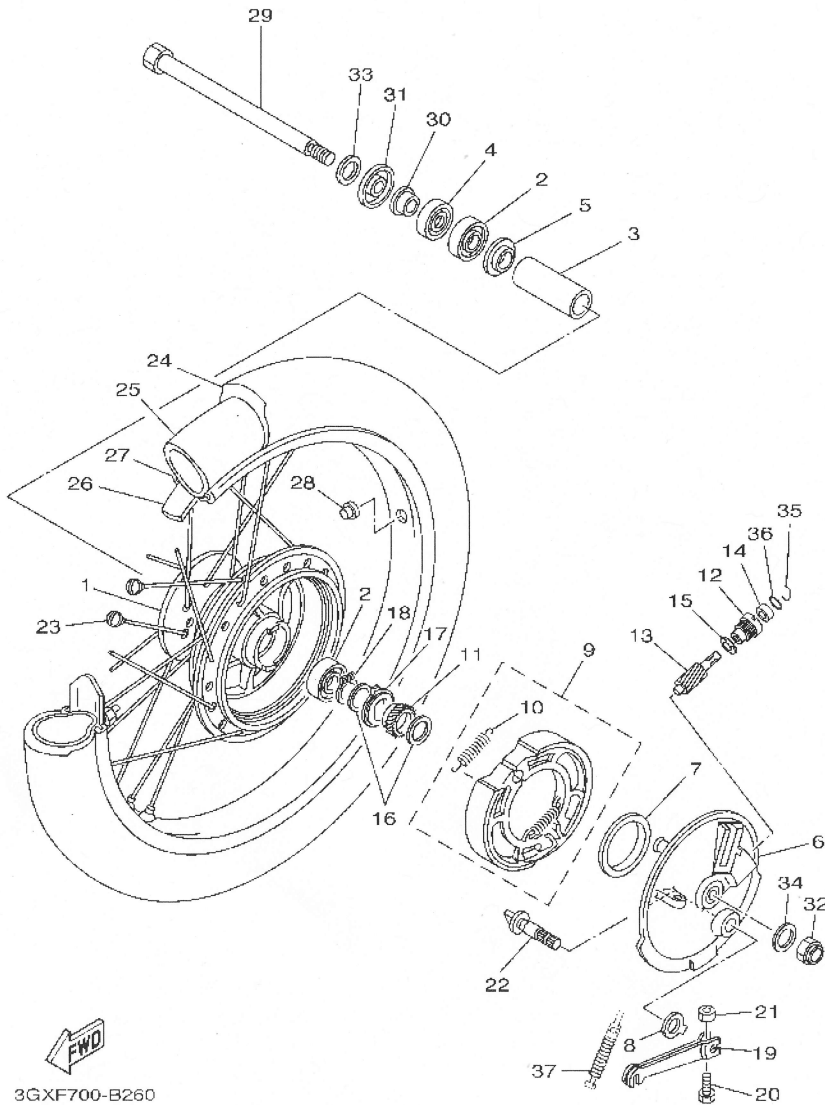
| Ref # | Part No | Description | Qty | Remarks |
|-------|-----------------|-----------------------|-----|---------|
| 1 | 3GX-24710-31 | SINGLE SEAT ASSY | 1 | |
| 2 | 3GX-24711-31 | COVER, SINGLE SEAT | 1 | |
| 3 | 90119-06063 | BOLT, WITH WASHER | 2 | |
| 4 | 36X-24810-10-35 | CARRIER ASSY | 1 | SL |
| 5 | 95817-08012 | BOLT, FLANGE | 2 | |
| 6 | 90105-08141 | BOLT (3H5) | 1 | |
| 7 | 90201-08326 | WASHER, PLATE | 1 | |
| 8 | 36X-21107-00 | TOOL BOX COMP | 1 | |
| 9 | 36X-2811G-00 | BAND | 1 | |
| 10 | 36X-24860-10-35 | FRONT CARRIER ASSY | 1 | SL |
| 11 | 36X-24862-00 | CLAMP, CARRIER | 1 | |
| 12 | 36X-24861-00 | SPRING, FRONT CARRIER | 1 | |
| 13 | 36X-28100-00 | TOOL KIT | 1 | |



3GXA700-7250

AG200FR(2003) - CYLINDER - FRONT WHEEL

Printed 24/12/2014

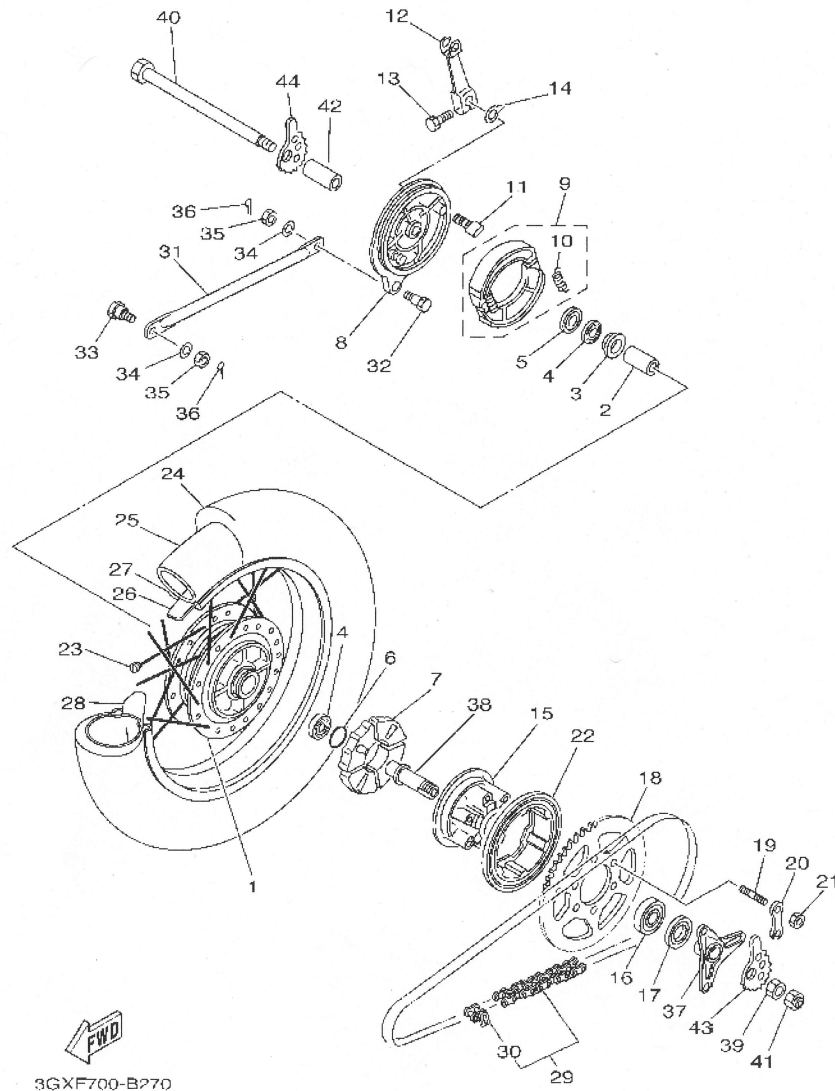


3GXF700-B260

| Ref # | Part No | Description | Qty | Remarks |
|-------|-----------------|----------------------------|-----|---------|
| 1 | 2A6-25111-00-35 | HUB, FRONT | 1 | SL |
| 2 | 93306-30101 | BEARING | 2 | |
| 3 | 90560-12138 | SPACER | 1 | |
| 4 | 93102-18008 | OIL SEAL (18X37X8) | 1 | |
| 5 | 109-25315-00 | FLANGE, SPACER | 1 | |
| 6 | 3TL-25121-00-35 | PLATE BRAKE SHOE,SILVER | 1 | SL |
| 7 | 93105-47007 | OIL SEAL | 1 | |
| 8 | 3Y6-2533A-01 | PLATE, INDICATOR | 1 | |
| 9 | 3KG-W253E-00 | BRAKE SHOE KIT | 1 | |
| 10 | 90506-15260 | SPRING, TENSION | 2 | |
| 11 | 5J0-25135-00 | GEAR, DRIVE | 1 | |
| 12 | 109-25136-00 | BUSH | 1 | |
| 13 | 5J0-25138-00 | GEAR, METER | 1 | |
| 14 | 93104-07003 | OIL SEAL (7X14X4-136) | 1 | |
| 15 | 90201-07076 | WASHER, PLATE 183251460 | 1 | |
| 16 | 90201-20269 | WASHER PLATE(183-25147-00) | 2 | |
| 17 | 183-25149-00 | CLUTCH, METER | 1 | |
| 18 | 99009-20400 | CIRCLIP | 1 | |
| 19 | 2N4-25155-00 | LEVER CAMSHAFT | 1 | |
| 20 | 90101-06278 | BOLT | 1 | |
| 21 | 95307-06600 | G05 NUT(89W) XB7 | 1 | |
| 22 | 248-25351-10 | 304 CAMSHAFT | 1 | |
| 23 | 2A6-25104-01 | SPOKE SET | 1 | |
| 24 | 94108-2111T | TIRE (80/100-21 51 | 1 | INOUE |
| 25 | 94227-21293 | TUBE (275-21)(2YY) | 1 | INOUE |
| 26 | 94330-21088 | 259 BAND, RIM | 1 | INOUE |
| 27 | 94416-21006 | RIM FRONT AG200E 21" | 1 | |
| 28 | 90338-09130 | PLUG | 1 | |
| 29 | 353-25381-10 | AXLE, WHEEL | 1 | |
| 30 | 90387-12265 | COLLAR (462) | 1 | |
| 31 | 2K5-25118-00 | COVER, HUB DUST | 1 | |
| 32 | 95607-10200 | NUT, U FLANGE | 1 | |
| 33 | 90201-12749 | WASHER, PLATE | 1 | |
| 34 | 92907-10200 | WASHER, PLAIN | 1 | |
| 35 | 102-25137-00 | RING, STOP | 1 | |
| 36 | 93210-14104 | O-RING | 1 | |
| 37 | 90501-12792 | SPRING, COMPRESSION | 1 | |

AG200FR(2003) - CYLINDER - REAR WHEEL

Printed 24/12/2014

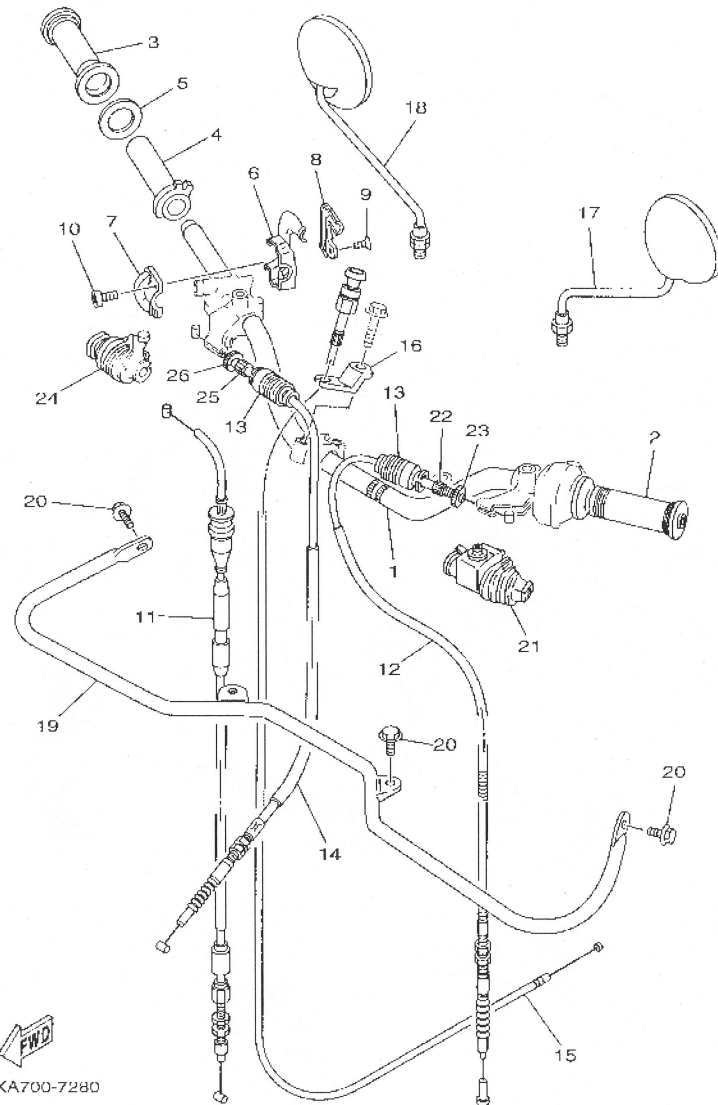


3GXF700-B270

| Ref # | Part No | Description | Qty | Remarks |
|-------|-----------------|--------------------------|-----|---------|
| 1 | 391-25311-00-35 | HUB,REAR (SILVER) | 1 | SL |
| 2 | 90560-15136 | SPACER 136253170000 | 1 | |
| 3 | 183-25315-00 | 329 FLANGE, SPACER | 1 | |
| 4 | 93306-20212 | BEARING | 2 | |
| 5 | 93104-22018 | OIL SEAL | 1 | |
| 6 | 93210-42101 | O-RING | 1 | |
| 7 | 36X-25364-00 | DAMPER | 4 | |
| 8 | 248-25321-00-35 | PLATE, BRAKE SHOE | 1 | SL |
| 9 | 3FA-W253A-00 | BRAKE SHOE KIT | 1 | |
| 10 | 90506-15260 | SPRING, TENSION | 2 | |
| 11 | 248-25351-10 | 304 CAMSHAFT | 1 | |
| 12 | 4V8-25355-00 | LEVER, CMASHAFT | 1 | |
| 13 | 90101-06291 | BOLT | 1 | |
| 14 | 5T9-2533A-00 | PLATE, INDICATOR | 1 | |
| 15 | 31G-25366-00 | CLUTCH, HUB | 1 | |
| 16 | 93306-00406 | BEARING,(B6004Z) | 1 | NTN |
| 17 | 93106-26005 | OIL SEAL | 1 | |
| 18 | 15A-25454-10 | SPROCKET, DRIVEN | 1 | |
| 19 | 90116-08425 | BOLT, STUD | 6 | |
| 20 | 90215-08160 | WASHER, LOCK | 3 | |
| 21 | 90170-08258 | NUT | 6 | |
| 22 | 36X-25327-00 | COVER, PLATE | 1 | |
| 23 | 3V6-25304-00 | SPOKE SET REAR | 1 | |
| 24 | 94141-185E8 | TIRE(410-18)(36X) | 1 | INOUE |
| 25 | 94232-18113 | TUBE (2A2) | 1 | INOUE |
| 26 | 94325-18081 | RIM BAND (1W1) | 1 | INOUE |
| 27 | 94418-18008 | RIM (3V6) | 1 | |
| 28 | 1T2-25394-00 | SPACER, BEAD | 1 | |
| 29 | 94580-88122 | CHAIN (DID 428HG-122L) | 1 | |
| 30 | 94680-88001 | JOINT, CHAIN (DID 428HG) | 1 | |
| 31 | 3V6-25371-00 | BAR, TENSION | 1 | |
| 32 | 90109-08063 | BOLT | 1 | |
| 33 | 90109-08368 | BOLT | 1 | |
| 34 | 92907-08100 | WASHER, SPRING | 2 | |
| 35 | 95307-08700 | NUT(JN5) | 2 | |
| 36 | 91401-20012 | PIN, COTTER | 2 | |
| 37 | 36X-25386-00 | COLLAR, SPROCKET AXLE | 1 | |
| 38 | 36X-25387-00 | AXLE, SPROCKET | 1 | |
| 39 | 90170-20224 | 213 NUT | 1 | |
| 40 | 2K6-25381-10 | AXLE, WHEEL | 1 | |
| 41 | 95607-14200 | NUT, SELF-LOCKING | 1 | |
| 42 | 90387-155J5 | COLLAR (36X) | 1 | |
| 43 | 3V6-25388-00 | PULLER, CHAIN 1 | 1 | |
| 44 | 3V6-25389-00 | PULLER, CHAIN 2 | 1 | |

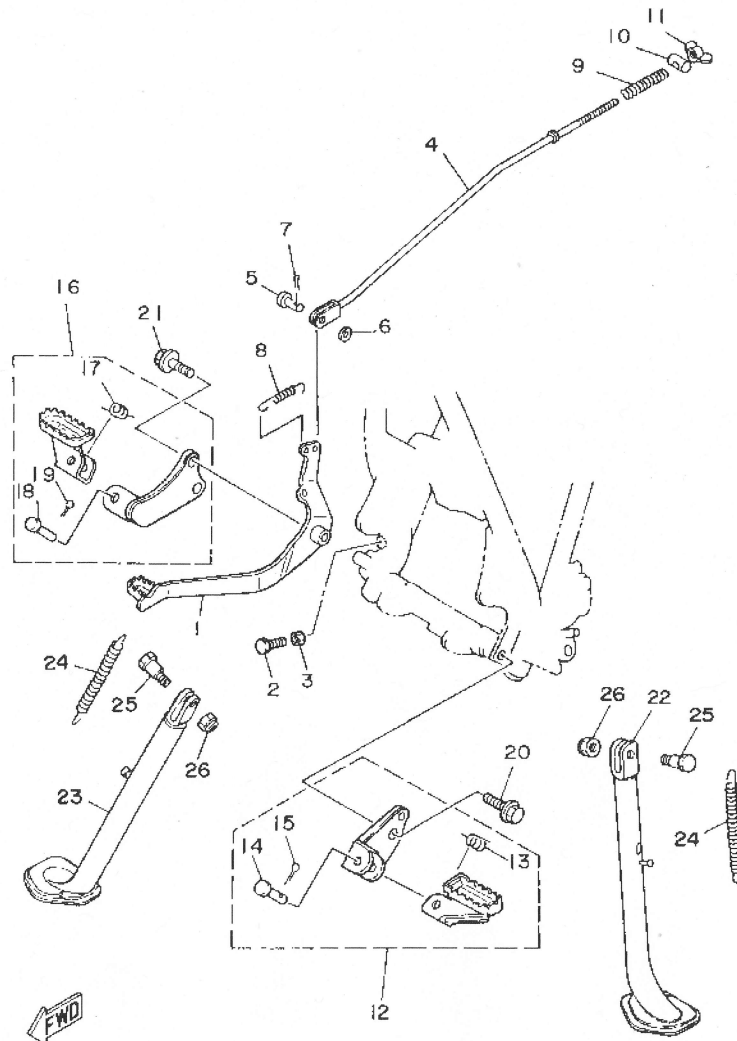
AG200FR(2003) - CYLINDER - STEERING HANDLE. CABLE

Printed 24/12/2014



| Ref # | Part No | Description | Qty | Remarks |
|-------|-----------------|-----------------------|-----|---------|
| 1 | 36X-26111-11 | HANDLEBAR | 1 | SL |
| 2 | 3V6-26241-00 | GRIP (LH) | 1 | |
| 3 | 3V6-26242-00 | GRIP (RH) | 1 | |
| 4 | 3GX-26243-00 | TUBE, THROTTLE GUI | 1 | |
| 5 | 1M1-26249-01 | RING, LEAF | 1 | |
| 6 | 38V-26281-00-98 | CAP, GRIP UPPER | 1 | LGB |
| 7 | 493-26282-00-98 | CAP, GRIP LOWER | 1 | LGB |
| 8 | 38V-2628H-00 | CAP, WIRE | 1 | |
| 9 | 98707-04012 | SCREW, FLAT HEAD | 2 | |
| 10 | 98507-05016 | SCREW, PAN HEAD | 2 | |
| 11 | 36X-26311-11 | CABLE, THROTTLE 1 | 1 | |
| 12 | 1RH-26335-00 | CLUTCH CABLE | 1 | |
| 13 | 1E6-26342-00 | BOOT, CABLE | 2 | |
| 14 | 36X-26341-11 | CABLE, BRAKE | 1 | |
| 15 | 36X-26331-10 | WIRE, CHOKE | 1 | |
| 16 | 4BE-2637G-00 | HOLDER, WIRE | 1 | |
| 17 | 1Y1-26290-50 | BACK MIRROR ASSY (LH) | 1 | |
| 18 | 1Y1-26290-60 | BACK MIRROR ASSY (RH) | 1 | |
| 19 | 36X-26123-11 | GUARD, LEVER | 1 | SL |
| 20 | 95807-08016 | BOLT FLNGE | 4 | |
| 21 | 36X-26372-00 | COVER, HANDLE LEVER 1 | 1 | |
| 22 | 90123-08046 | BOLT | 1 | |
| 23 | 90179-08148 | NUT | 1 | |
| 24 | 1E6-26372-00 | COVER, HANDLE LEVER 1 | 1 | |
| 25 | 90123-08046 | BOLT | 1 | |
| 26 | 90179-08148 | NUT | 1 | |

3GXA700-7280



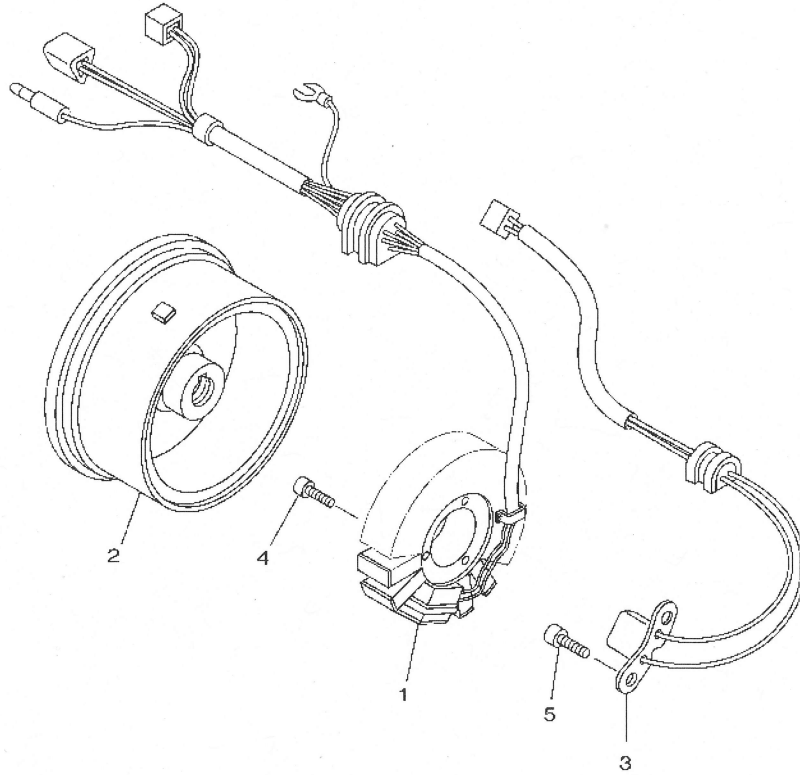
36X700-3290

| Ref # | Part No | Description | Qty | Remarks |
|-------|-----------------|-----------------------|-----|---------|
| 1 | 36X-27211-00-90 | PEDAL, BRAKE | 1 | ZK |
| 2 | 97007-06020 | BOLT | 1 | |
| 3 | 95307-06700 | P95 NUT(JN5) | 1 | |
| 4 | 36X-27231-00 | ROD, BRAKE | 1 | |
| 5 | 90240-06076 | PIN, CLEVIS | 1 | |
| 6 | 92907-06200 | WASHER | 1 | |
| 7 | 91401-20012 | PIN, COTTER | 1 | |
| 8 | 90506-14343 | SPRING, TENSION | 1 | |
| 9 | 90501-10245 | SPRING, COMPRESSION | 1 | |
| 10 | 90249-12008 | PIN | 1 | |
| 11 | 90175-06013 | NUT, WING | 1 | |
| 12 | 36X-27410-00-90 | FRONT FOOTREST ASSY L | 1 | ZK |
| 13 | 90508-20023 | SPRING, TORSION | 1 | |
| 14 | 91701-08038 | PIN, CLEVIS | 1 | |
| 15 | 91401-25015 | P48 PIN, COTTER | 1 | |
| 16 | 36X-27420-00-90 | FRONT FOOTREST ASSY R | 1 | ZK |
| 17 | 90508-20023 | SPRING, TORSION | 1 | |
| 18 | 91701-08038 | PIN, CLEVIS | 1 | |
| 19 | 91401-25015 | P48 PIN, COTTER | 1 | |
| 20 | 95827-12025 | BOLT, FLANGE (8L8) | 1 | |
| 21 | 90105-10058 | BOLT, HEXAGON (447) | 2 | |
| 22 | 36X-27311-01 | STAND SIDE | 1 | |
| 23 | 36X-27311-11 | STAND SIDE | 1 | |
| 24 | 90506-28100 | 273 SPRING TENSION | 2 | |
| 25 | 90109-10473 | BOLT | 2 | |
| 26 | 90185-10037 | NUT, SELF-LOCKING | 2 | |

AG200FR(2003) - CYLINDER - GENERATOR

Printed 24/12/2014

| Ref # | Part No | Description | Qty | Remarks |
|-------|--------------|--------------|-----|---------|
| 1 | 3GX-81410-00 | STATOR ASSY | 1 | |
| 2 | 5MP-85550-00 | ROTOR ASSY | 1 | |
| 3 | 4JG-85580-01 | COIL, PULSER | 1 | |
| 4 | 91317-06025 | BOLT | 3 | |
| 5 | 91317-06020 | BOLT | 2 | |

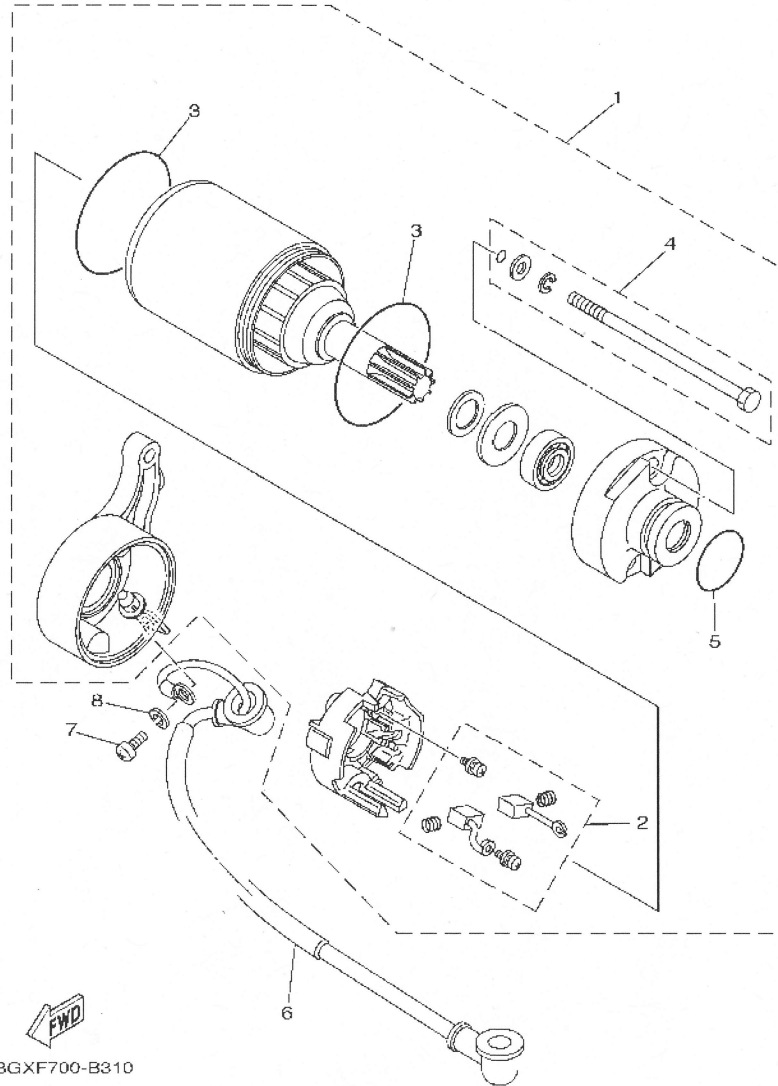



3GXF700-B300

AG200FR(2003) - CYLINDER - STARTING MOTOR

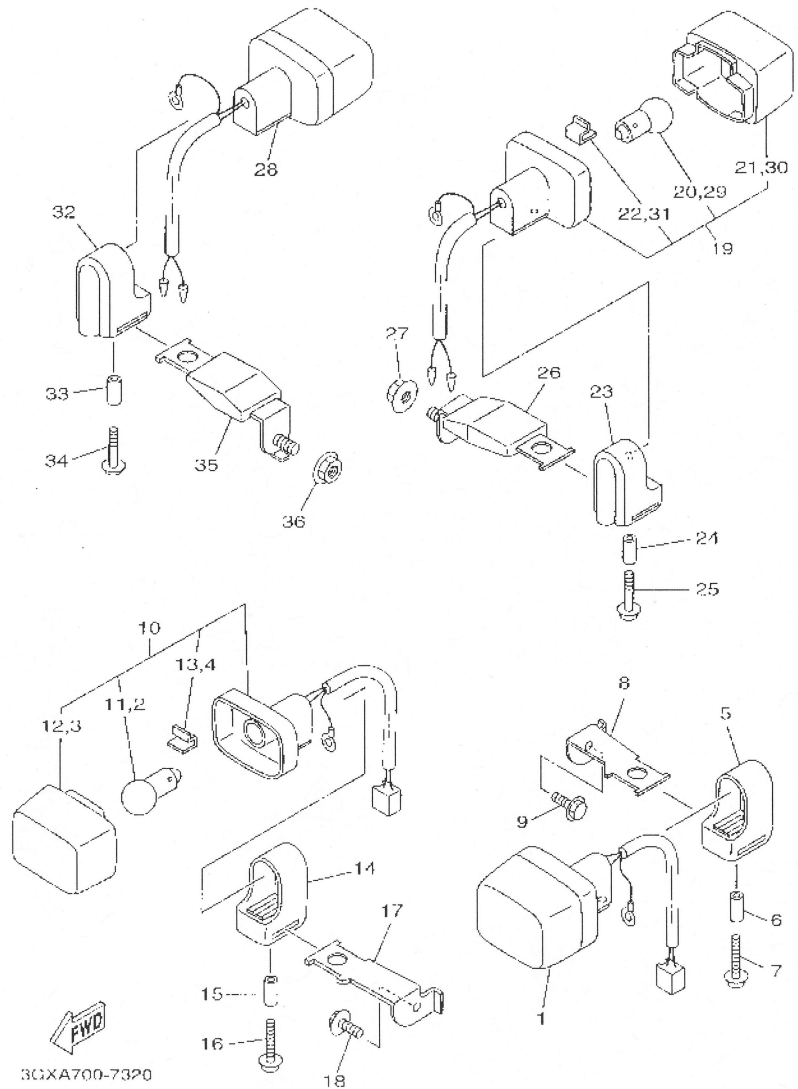
Printed 24/12/2014

| Ref # | Part No | Description | Qty | Remarks |
|-------|--------------|-----------------|-----|---------|
| 1 | 4JG-81890-00 | MOTOR ASSY | 1 | |
| 2 | 50M-81801-M0 | BRUSH SET | 1 | |
| 3 | 93210-55669 | O-RING | 2 | |
| 4 | 59V-81828-M0 | SCREW SET | 2 | |
| 5 | 93210-25711 | O-RING | 1 | |
| 6 | 4JG-8183G-00 | CORD ASSY | 1 | |
| 7 | 98507-05008 | SCREW, PAN HEAD | 1 | |
| 8 | 92907-05100 | WASHER, SPRING | 1 | |



AG200FR(2003) - CYLINDER - FLASHER LIGHT

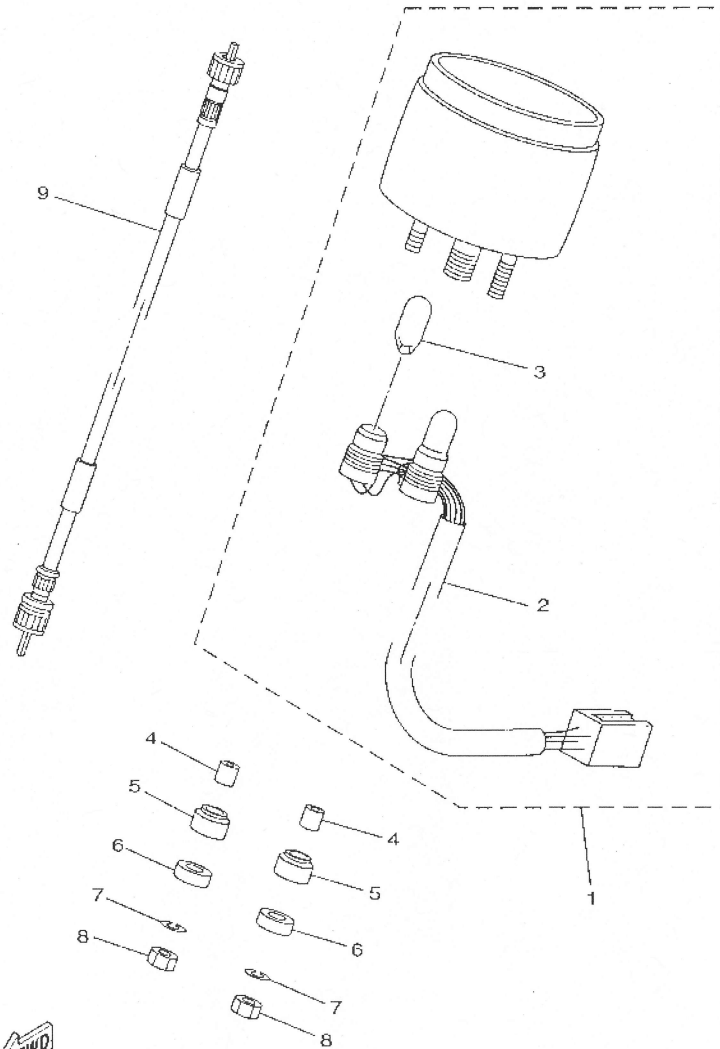
Printed 24/12/2014



| Ref # | Part No | Description | Qty | Remarks |
|-------|--------------|----------------------------|-----|---------|
| 1 | 1KH-83310-10 | FRONT FLASHER LIGH | 1 | |
| 2 | 1KH-83311-00 | BULB FLASHER (12V-10W) | 1 | |
| 3 | 2T4-83312-00 | LENS FLASHER | 1 | |
| 4 | 1KH-83345-00 | PLUG, BLIND | 1 | |
| 5 | 1KH-83321-00 | DAMPER, FLASHER 1 | 1 | |
| 6 | 90387-05285 | COLLAR | 1 | |
| 7 | 90159-05011 | SCREW, WITH WASHER | 1 | |
| 8 | 3GX-83318-00 | STAY, FLASHER 1 | 1 | |
| 9 | 95807-06010 | BOLT, FLANGE(4MY) | 1 | |
| 10 | 1KH-83320-10 | FRONT FLASHER LIGHT ASSY 2 | 1 | |
| 11 | 1KH-83311-00 | BULB FLASHER (12V-10W) | 1 | |
| 12 | 2T4-83312-00 | LENS FLASHER | 1 | |
| 13 | 1KH-83345-00 | PLUG, BLIND | 1 | |
| 14 | 1KH-83321-00 | DAMPER, FLASHER 1 | 1 | |
| 15 | 90387-05285 | COLLAR | 1 | |
| 16 | 90159-05011 | SCREW, WITH WASHER | 1 | |
| 17 | 3GX-83328-00 | STAY, FLASHER 2 | 1 | |
| 18 | 95807-06010 | BOLT, FLANGE(4MY) | 1 | |
| 19 | 3XP-83310-10 | FRONT FLASHER LIGH | 1 | |
| 20 | 1KH-83311-00 | BULB FLASHER (12V-10W) | 1 | |
| 21 | 2T4-83312-00 | LENS FLASHER | 1 | |
| 22 | 1KH-83345-00 | PLUG, BLIND | 1 | |
| 23 | 1KH-83321-00 | DAMPER, FLASHER 1 | 1 | |
| 24 | 90387-05285 | COLLAR | 1 | |
| 25 | 90159-05011 | SCREW, WITH WASHER | 1 | |
| 26 | 4GY-83368-00 | STAY, FLASHER 1 | 1 | |
| 27 | 95707-08500 | NUT, FLANGE | 1 | |
| 28 | 3XP-83320-10 | FRONT FLASHER LIGH | 1 | |
| 29 | 1KH-83311-00 | BULB FLASHER (12V-10W) | 1 | |
| 30 | 2T4-83312-00 | LENS FLASHER | 1 | |
| 31 | 1KH-83345-00 | PLUG, BLIND | 1 | |
| 32 | 1KH-83321-00 | DAMPER, FLASHER 1 | 1 | |
| 33 | 90387-05285 | COLLAR | 1 | |
| 34 | 90159-05011 | SCREW, WITH WASHER | 1 | |
| 35 | 4GY-83368-00 | STAY, FLASHER 1 | 1 | |
| 36 | 95707-08500 | NUT, FLANGE | 1 | |

AG200FR(2003) - CYLINDER - METER

Printed 24/12/2014

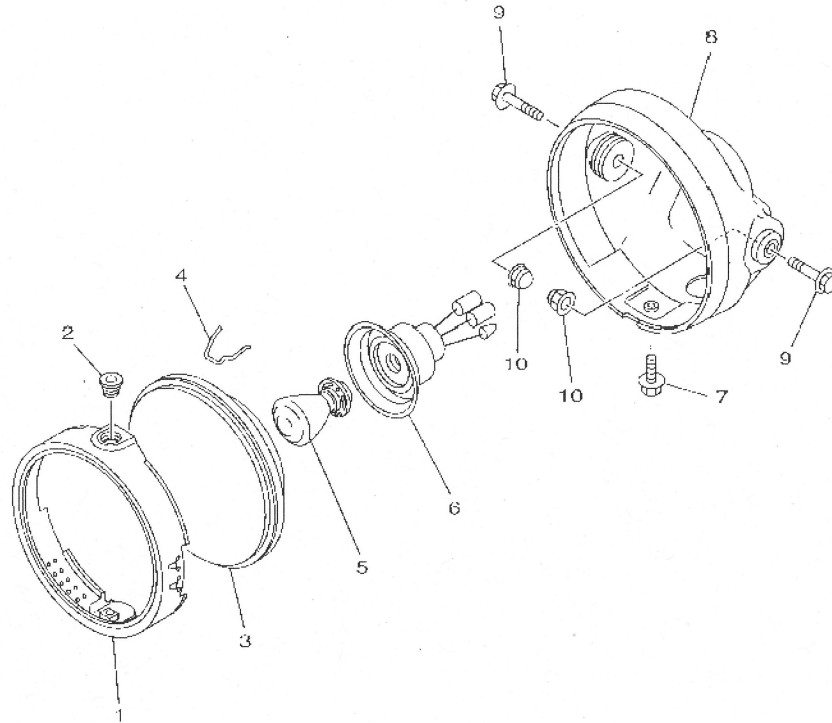


| Ref # | Part No | Description | Qty | Remarks |
|-------|--------------|------------------------|-----|---------|
| 1 | 3GX-83510-00 | SPEEDOMETER ASSY | 1 | |
| 2 | 3GX-83520-00 | SOCKET CORD ASSY | 1 | |
| 3 | 1YT-83517-00 | BULB (12V-17W, T10) | 2 | |
| 4 | 90387-067V1 | COLLAR | 2 | |
| 5 | 1M3-83513-00 | DAMPER, SPEEDOMETER | 2 | |
| 6 | 355-83526-00 | DAMPER 2 | 2 | |
| 7 | 355-83524-00 | WASHER SPECIAL | 2 | |
| 8 | 95307-06600 | G05 NUT(89W) XB7 | 2 | |
| 9 | 47J-83550-00 | SPEEDOMETER CABLE ASSY | 1 | |

3GXA700-7330

AG200FR(2003) - CYLINDER - HEADLIGHT

Printed 24/12/2014



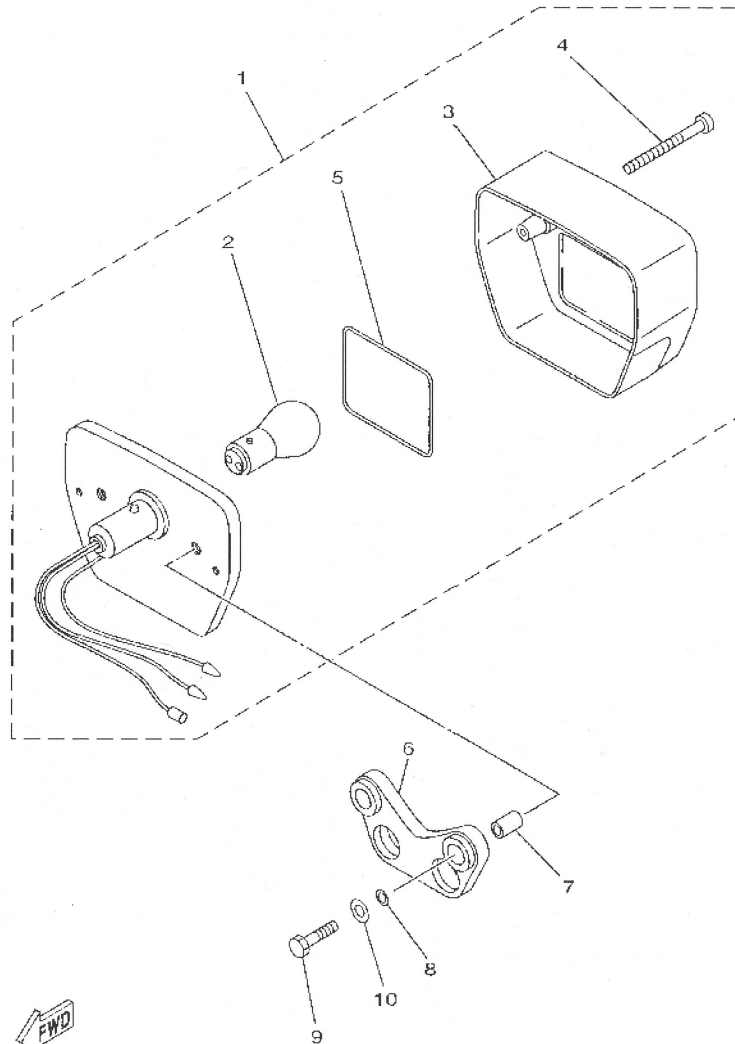
| Ref # | Part No | Description | Qty | Remarks |
|-------|--------------|------------------------------|-----|---------|
| 1 | 3J0-84195-60 | RING, RETAINING | 1 | |
| 2 | 1M1-84133-60 | COLLAR, SCREW | 1 | |
| 3 | 4F2-84120-00 | LENS ASSY | 1 | |
| 4 | 148-84324-00 | SPRING, REFLECTOR | 3 | |
| 5 | 1A0-84314-01 | BULB 12V 45/45W AG200 NONADR | 1 | |
| 6 | 3GX-84112-00 | SOCKET | 1 | |
| 7 | 1M1-84137-60 | BOLT, SPECIAL | 1 | |
| 8 | 3J0-84130-60 | BODY ASSY, HEADLIGHT | 1 | BLACK |
| 9 | 95807-08030 | BOLT, FLANGE(7YP) | 2 | |
| 10 | 90176-08068 | NUT, CROWN(3AA) | 2 | |



3GXA700-7340

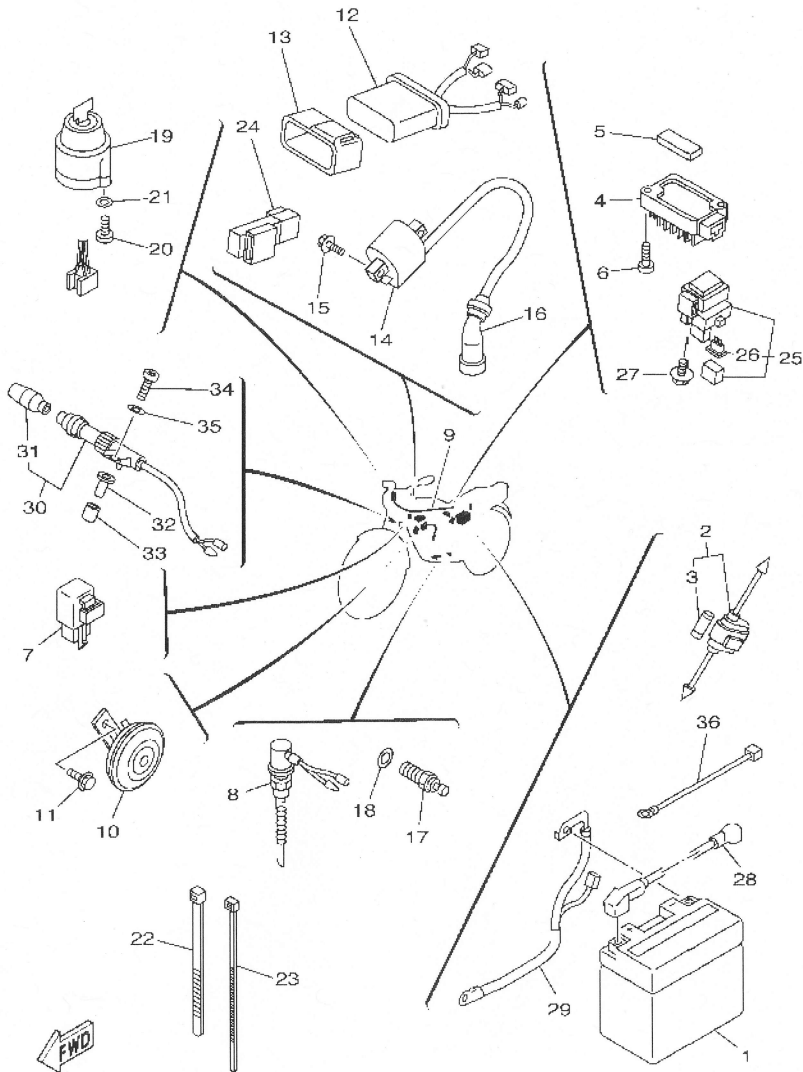
AG200FR(2003) - CYLINDER - TAILLIGHT

Printed 24/12/2014



| Ref # | Part No | Description | Qty | Remarks |
|-------|--------------|---------------------|-----|---------|
| 1 | 1KH-84710-00 | TAILLIGHT UNIT ASS | 1 | |
| 2 | 34X-84714-00 | NO LONGER AVAILABLE | 1 | |
| 3 | 1FE-84521-00 | LENS, TAILLIGHT | 1 | |
| 4 | 98511-03045 | SCREW, PAN HEAD | 2 | |
| 5 | 1KH-84723-00 | GASKET, TAIL LENS | 1 | |
| 6 | 36X-84527-00 | DAMPER | 1 | |
| 7 | 90387-05563 | COLLAR | 2 | |
| 8 | 90201-054K4 | S09 WASHER, PLATE | 2 | |
| 9 | 97007-05020 | BOLT, HEXAGON | 2 | |
| 10 | 92907-05600 | WASHER, PLATE | 2 | |

3GXA700-7350



3GXF700-B370

| Ref # | Part No | Description | Qty | Remarks |
|-------|--------------|----------------------------|-----|---------|
| 1 | 4TP-82100-10 | BATTERY (GS GT6B-3) | 1 | |
| 2 | 55K-82150-01 | FUSE HOLDER ASSY | 1 | |
| 3 | 116-82151-00 | FUSE (10A) | 2 | |
| 4 | 3TJ-81960-02 | RECTIFIER & REGULATOR ASSY | 1 | |
| 5 | 8U9-77162-00 | STRIP, WEATHER 2 | 1 | |
| 6 | 98507-06025 | SCREW, PAN | 2 | |
| 7 | 4GY-83350-00 | FLASHER RELAY ASSY | 1 | |
| 8 | 2F1-82530-02 | STOP SWITCH ASSY | 1 | |
| 9 | 3GX-82590-10 | WIRE HARNESS ASSY | 1 | |
| 10 | 3TY-83371-10 | HORN | 1 | |
| 11 | 95807-06012 | BOLT, FLANGE(4MY) | 1 | |
| 12 | 3GX-85540-10 | CDI UNIT ASSY(NO WIRES) | 1 | |
| 13 | 3GX-85546-00 | BAND | 1 | |
| 14 | 4JG-82310-00 | IGNITION COIL ASSY | 1 | |
| 15 | 95027-06016 | BOLT, FLANGE | 2 | |
| 16 | 3NS-82370-00 | PLUG CAP ASSY | 1 | |
| 17 | 4KM-82540-00 | NEUTRAL SWITCH ASSY | 1 | |
| 18 | 90430-10148 | GASKET | 1 | |
| 19 | 36X-82510-02 | MAIN SWITCH ASSY | 1 | |
| 20 | 98507-05012 | PA2 SCREW, PAN HEAD(1RW | 2 | |
| 21 | 92907-05600 | WASHER, PLATE | 2 | |
| 22 | 5Y9-12491-00 | CLAMP 1 | 4 | |
| 23 | 90465-13152 | CLAMP | 4 | |
| 24 | 1RL-81950-92 | RELAY ASSY | 1 | |
| 25 | 4FU-81940-00 | STARTER RELAY ASSY | 1 | |
| 26 | 2GH-82151-00 | FUSE (12V 20A) | 2 | |
| 27 | 95027-06008 | BOLT, FLANGE | 2 | |
| 28 | 3GX-82115-00 | WIRE, PLUS LEAD | 1 | |
| 29 | 3GX-82116-00 | WIRE, MINUS LEAD | 1 | |
| 30 | 59V-81920-00 | TERMINAL ASSY | 1 | |
| 31 | 59V-81942-00 | COVER | 1 | |
| 32 | 90179-05271 | NUT (8J2) | 1 | |
| 33 | 90445-070K7 | HOSE (L10) | 1 | |
| 34 | 97880-05020 | SCREW, PAN HEAD(6H0 | 1 | |
| 35 | 92990-05600 | WASHER, PLATE | 1 | |
| 36 | 3GX-82509-00 | WIRE, SUB LEAD | 1 | |

2003 AG200FR 3CXH 1B3GX-70E1

AG200

'2003' ADR MODEL

ADR PARTS LIST

| <u>DESCRIPTION</u> | <u>PART NUMBER</u> |
|--------------------------------|--------------------|
| Headlight insert (with globe) | 3GX-84320-00-AD |
| Wiring Loom (headlight) | 3GX-84359-00-AD |
| Dash Panel (warning lights) | 3GX-83519-00-AD |
| Turn Warning Light | 3GX-84301-00-AD |
| Hi Beam Warning Light | 3GX-84301-10-AD |
| Wiring Loom (Blasher Relay) | 3GX-82590-PR-AD |
| Front RH Blinker | 3GX-83320-00-AD |
| Front RH Blinker (Wiring Loom) | 3GX-82590-20-AD |
| Front RH Blinker (Bracket) | 3GX-83328-00-AD |
| Front LH Blinker | 3GX-83310-00-AD |
| Front LH Blinker (Wiring Loom) | 3GX-82590-10-AD |
| Front LH Blinker (Bracket) | 3GX-83318-00-AD |
| Blinker Globe | 3GS-83311-00-AD |
| Blinker Lens | 3GS-83317-00-AD |
| Twilight Assy Complete | 3GX-84710-00-AD |
| Lense-Twilight | 3MW-84721-00-AD |
| Twilight Wiring Loom | 3GX-84717-00-AD |
| Headlight Globe | 8V0-84314-10 |
| Sidestand Return Spacer | 3GX-27315-00-AD |
| Sidestand Return Bolt | 3GX-27317-00-AD |