

Motorcycle Pads Products Range

Part Number	ROAD / OFF ROAD		ROAD	SCOOTER	OFF ROAD	ROAD	RACING	
	ORG.	ORG.					ORG.	SINT.
	PADS*	P	PRP	AG	SG	ST	CP1	XRAC
FDB88		✓						
FDB108		✓				✓	✓	
FDB119		✓						
FDB132		✓						
FDB134		✓						
FDB148		✓				✓		
FDB150		✓						
FDB151		✓	✓			✓		
FDB155		✓						
FDB177		✓						
FDB178		✓						
FDB181		⚠						
FDB182		✓						
FDB183		✓						
FDB184		✓						
FDB185		✓	✓					
FDB204		✓						
FDB205		✓						
FDB207		✓		✓	✗	✓	✓	
FDB213		✓						
FDB217		✓						
FDB218		✓				⚠		
FDB220		✓				✓		
FDB244		✓				✓		
FDB247		✓						
FDB250		✓		✓	✓			
FDB277		✓						
FDB298		✓						
FDB299		✓						
FDB310		✓						
FDB311		✓						
FDB312		✓				✓		
FDB313		✓		✓	✓			
FDB314		✓		✓	✓			
FDB333		✓	✓					
FDB334		✓	✗					
FDB335		✓	✓					
FDB337		✓				✓		
FDB338		✓				✓		
FDB339		✓				✓		
FDB342		✓				⚠	✓	
FDB352		✓	✓			✓		
FDB381		✓				✓		
FDB382		✓				✓		
FDB383		✓		✓	✓			
FDB384		✓						
FDB386		✓				✓		
FDB389		✓				✓		
FDB390		✓						
FDB404		✓						
FDB411		✓						
FDB436		✓						
FDB437		✓						
FDB438		✓		✓				
FDB449		✓				✓		
FDB452		✓				✓		
FDB462		✓				✓		
FDB475				✓				
FDB481		✓				✓		
FDB485		✓	✓					
FDB494		✓						
FDB495		✓			✓			
FDB496		✓						
FDB497		✓		✓	✓	✓		
FDB498		✓				✓		✓
FDB499		✓						

Part Number	ROAD / OFF ROAD		ROAD	SCOOTER	OFF ROAD	ROAD	RACING	
	ORG.	ORG.					ORG.	SINT.
	PADS*	P	PRP	AG	SG	ST	CP1	XRAC
FDB508		✓						
FDB529		✓						
FDB531		✓				✓		
FDB533		✓				✓	✓	✓
FDB538		✓				⚠		
FDB539		✓			✓			
FDB557		✓				✓	✓	✓
FDB569		✓				✓		
FDB570		✓				✓	✓	✓
FDB574		✓	✗			✓	✓	✓
FDB583		✓						
FDB591		✓						
FDB592		✓						
FDB605		✓				✓	✓	✓
FDB606		✓						
FDB607		✓						
FDB624				✓				
FDB625				✓				
FDB631		✓		✓	✓	✓		
FDB636		✓		✓				
FDB637		✓				✓		
FDB659		✓			✓			
FDB661		✓			✓			
FDB662		✓				⚠		
FDB663		✓				✓		
FDB664		✓				✓		
FDB665		✓				✓		
FDB666		✓				✓		
FDB672				✓				
FDB673		✓						
FDB677		✓		✓				
FDB680				✓		✓		
FDB694		✓		✓	✓	✓		
FDB695		✗						
FDB696				⚠				
FDB697				✓				
FDB698		✓						
FDB706		✓						
FDB731		✓						
FDB736		✓				✓		
FDB737		✓						
FDB741		✓						
FDB754		✓				✓		
FDB781		✓				✓		
FDB782		✓						
FDB783				✓				
FDB784				✓				
FDB828		✓				✓		
FDB847		✓						
FDB858		✓				✓		
FDB864		✓	✗			✓		
FDB865		⚠						
FDB873		✓	✗			✓	✓	✓
FDB887		✓						
FDB889				✓		✓		
FDB892		✓			✓			
FDB2001		✓	✓					
FDB2002		✓				✓		
FDB2003		✓		✓		✓		
FDB2005		✓			✓	✓		
FDB2006		✓				✓		
FDB2007		⚠					✓	✓
FDB2008		⚠						
FDB2012		✓				✓		
FDB2013		✓						
FDB2014		✓						

Part Number	ROAD / OFF ROAD		ROAD	SCOOTER	OFF ROAD	ROAD	RACING	
	ORG.	ORG.					ORG.	SINT.
	PADS*	P	PRP	AG	SG	ST	CP1	XRAC
FDB2015					✓			
FDB2016					✓			
FDB2017					✓			
FDB2018		✓			✓	✓		
FDB2033		✓						
FDB2034		✗						
FDB2036		✓				✓		✗
FDB2037				✓				
FDB2039		✓				✓		
FDB2040		✓	✓			✓		
FDB2041		✓						
FDB2042		✓				✓	✓	✓
FDB2048		✓				✓	✓	✓
FDB2049		✓				✓	✓	✓
FDB2050		✓				✓		
FDB2054					✓			
FDB2055					✓			
FDB2056					✓			
FDB2057					✓			
FDB2058		✓						
FDB2060		✓			✓			
FDB2062				✓				
FDB2073		✓				✓		
FDB2074		✓				✓		
FDB2075		✓				✓		
FDB2079		✓				✓	✓	✓
FDB2080					✓			
FDB2081					✓			
FDB2083		✓			✓			
FDB2084		✓				✓		
FDB2085	4	✓			✓			
FDB2086		✓						
FDB2087		✓						
FDB2090		✓			✓			
FDB2091		✓						
FDB2095					✓			
FDB2096					✓			
FDB2097		✓	✓			✓		
FDB2098		✓				✓		
FDB2099		✓						
FDB2100					✓			
FDB2101					✓			
FDB2102		✓				✓		
FDB2103		✓						
FDB2105					✓			
FDB2106					✓			
FDB2107		✓						
FDB2108					✓			
FDB2109		✓				✓		
FDB2110					✓			
FDB2111		✓			✓	✓		
FDB2113		✓						
FDB2114		✓				✓		✓
FDB2115		✓			✓			
FDB2119		✓			✓	✓		
FDB2120	4	✓			✓	✓		✓
FDB2121					✓			
FDB2122		✗						
FDB2123		✓					✓	✓
FDB2124		✓				✓		
FDB2125		✓				✓		
FDB2126		✓						
FDB2127					✓			
FDB2128					✓			
FDB2129					⚠	⚠		
FDB2130					✓			

* 2 UNLESS OTHERWISE STATED

Motorcycle Pads Products Range

Part Number	ROAD / OFF ROAD		ROAD	SCOOTER	OFF ROAD	ROAD	RACING	RACING
	ORG.	SINT.						
	PADS*	P	PRP	AG	SG	ST	CP1	XRAC
FDB2132				✓		⚠		
FDB2133				✓	✓			
FDB2136				✓	✓			
FDB2139		✓			✓			
FDB2140				✓				
FDB2141	4			✓	✓			
FDB2142				✓		✓		
FDB2143		✓						
FDB2144		✓				✓		✓
FDB2145						✓		✓
FDB2146		✓						
FDB2147				✓				
FDB2148				✓	✓			
FDB2149					✓			
FDB2150						✓		
FDB2153	4	✓						
FDB2154	4	✓						
FDB2156		✓				⚠		
FDB2157					✓			
FDB2158						✓		
FDB2162		✓			✓			
FDB2163						✓		
FDB2164	4					✓		✓
FDB2165		✓			✓			
FDB2166	4						✓	✓
FDB2167							✓	✓
FDB2168								✓
FDB2169		✓		✓				
FDB2170		✓						
FDB2171		✓						
FDB2173						✓		
FDB2175					✓			
FDB2176					✓			
FDB2177					✉			
FDB2178						✓		✓
FDB2179		✓				✓		
FDB2180		✓				✓		
FDB2181						✓		✓
FDB2182					✓			
FDB2183					✓			
FDB2184		✓			✓			
FDB2185		✓						
FDB2186				✓				
FDB2187				✓				
FDB2188					✓			
FDB2189					✓			
FDB2190				✓				
FDB2191				✓				
FDB2192				✓				
FDB2193					✓			
FDB2194		⚠						
FDB2195					✓			
FDB2196				✓		✓		
FDB2197					✓			
FDB2198						✓		
FDB2200		✓						
FDB2201						✓		
FDB2202		✓				✓		
FDB2203	4							✓
FDB2204							✓	✓
FDB2205							✓	✓
FDB2206		✓						
FDB2207				✓				
FDB2208				✓				
FDB2209								✓
FDB2210		✓				✓		

Part Number	ROAD / OFF ROAD		ROAD	SCOOTER	OFF ROAD	ROAD	RACING	RACING
	ORG.	SINT.						
	PADS*	P	PRP	AG	SG	ST	CP1	XRAC
FDB2211				✓				
FDB2212				✓				
FDB2213		✓				✓		
FDB2214					⚠			
FDB2215	4						✓	✓
FDB2216		✓				✓	✓	
FDB2217	4						✓	✓
FDB2218						✗	✓	✓
FDB2219					✓			
FDB2220	4					✓	✓	✓
FDB2221		✓				✓		
FDB2224		✓						
FDB2225				✓				
FDB2226				✓				
FDB2228							✓	✓
FDB2230					✓			
FDB2231					✓			
FDB2232					✓			
FDB2233					✓			
FDB2235					✓			
FDB2236					✓			
FDB2238		✓		✓				
FDB2240	4					✓		✉
FDB2242		✓		✓				
FDB2243		⚠			✓		✉	
FDB2244	4					✓		✉
FDB2245						✓		
FDB2248				✓				
FDB2250						✓		
FDB2251						✓		
FDB2252						✓		✓
FDB2253						✓		
FDB2254				✓				
FDB2255	4					✓		✓
FDB2256				✓				
FDB2257					✓			
FDB2258						✓		
FDB2259	4					✓		
FDB2260						✓		
FDB2262					✓			
FDB2263					✓			
FDB2264				✓				
FDB2265						✓		
FDB2266						✓		
FDB2267					✓			
FDB2268		✓						
FDB2270		✓						
FDB2271					✉			
FDB2272					✉			
FDB2273					✉			
FDB2274					✉			
FRP213		✓						
FRP405		✓	✓	✓	✓	✓		
FRP408		✓	✓			✓	✓	✓
FRP410		✓						
FRP415		✓						
FRP416		✓						

- ✓ Available
- ✗ No longer Available
- ✉ In Introduction
- ⚠ Exhausting
- ✉ Make to order

ORG. = Organic
SINT. = Sintered

Equivalent Ferodo Pad Shapes

Part Number	Pads/Set*	DIMENSIONS	ALSO AVAILABLE				
		Length x Height x Thickness (mm)	Shape	Th. mm	Shape	Th. mm	Notes
FDB108		56.0 x 55.0 x 9.0 mm	FDB148	7.6			
FDB148		56.0 x 55.0 x 7.6 mm	FDB108	9.0			
FDB244		90.0 x 49.0 x 10.5 mm	FDB538	9.0	FDB665	11.0	
FDB382		81.0 x 42.0 x 7.3 mm	FDB2086	8.3	FDB2119	9.0	
FDB383		71.0 x 36.0 x 9.4 mm	FDB475	8.0			
FDB452		88.1 x 46.1 x 8.5 mm	FDB663	9.8			
FDB462		81.2 x 42.0 x 8.0 mm	FDB2113	9.5			
FDB475		71.0 x 36.0 x 8.0 mm	FDB383	9.4			
FDB531		86.0 x 40.0 x 10.6 mm	FDB2258	8.9			
FDB538		90.0 x 49.0 x 9.0 mm	FDB244	10.5	FDB665	11.0	
FDB539		75.1 x 36.1 x 9.7 mm	FDB672	9.1	FDB783	7.6	
FDB570		102.0 x 39.0 x 8.3 mm	FDB664	9.8	FDB2225	10.0	
FDB637		75.0 x 54.0 x 10.9 mm	FDB666	10.9			
FDB659		62.1 x 40.9 x 9.4 mm	FDB2270	7.1			
FDB663		88.1 x 46.1 x 9.8 mm	FDB452	8.5			
FDB664		102.1 x 39.1 x 9.8 mm	FDB570	8.3	FDB2225	10.0	
FDB665		90.0 x 49.0 x 11.5 mm	FDB244	10.0	FDB538	9.0	
FDB666		75.0 x 55.0 x 10.9 mm	FDB637	10.9			
FDB672		75.1 x 36.1 x 9.1 mm	FDB539	9.7	FDB783	7.6	
FDB677		94.0 x 42.0 x 7.5 mm / 77.0 x 42.0 x 7.5 mm	FDB2106	7.6			
FDB783		75.1 x 36.1 x 7.6 mm	FDB539	9.7	FDB672	9.1	
FDB873		90.0 x 52.0 x 8.0 mm	FDB2144	9.9			
FDB2007		78.0 x 41.0 x 8.7 mm	FDB2123	10.0			
FDB2040		69.4 x 51.1 x 7.9 mm	FDB2041	11.0			
FDB2041		69.4 x 51.1 x 11.0 mm	FDB2040	7.9			
FDB2075		115.6 x 41.0 x 9.4 mm	FDB2098	8.3			
FDB2079		74.0 x 55.1 x 9.0 mm	FDB2114	7.1			
FDB2086		81.4 x 42.2 x 8.3 mm	FDB382	7.5	FDB2119	9.0	
FDB2098		115.6 x 41.0 x 8.3 mm	FDB2075	9.4			
FDB2106		94.6 x 42.0 x 7.6 mm / 77.1 x 42.1 x 7.6 mm	FDB677	7.5			
FDB2113		81.2 x 42.0 x 9.5 mm	FDB462	8.0			
FDB2114		74.0 x 55.1 x 7.1 mm	FDB2079	9.0			
FDB2119		81.3 x 42.1 x 9.4 mm	FDB382	7.5	FDB2086	8.0	
FDB2120	4 Pads	35.2 x 39.7 x 7.6 mm	FDB2215	8.5			
FDB2123		77.8 x 40.8 x 10.0 mm	FDB2007	8.3			
FDB2144		90.0 x 52.0 x 9.9 mm	FDB873	8.0			
FDB2164	4 Pads	39.0 x 49.9 x 7.9 mm	FDB2203	9.3			
FDB2178		71.7 x 50.3 x 7.8 mm	FDB2204	9.3			
FDB2181		74.6 x 47.4 x 8.0 mm	FDB2205	9.0			
FDB2196		118.1 x 45.4 x 8.4 mm	FDB2211	9.0			
FDB2203	4 Pads	39.0 x 49.9 x 9.3 mm	FDB2164	7.9			
FDB2204		71.7 x 50.3 x 9.3 mm	FDB2178	7.8			
FDB2205		74.6 x 47.4 x 9.0 mm	FDB2181	8.0			
FDB2211		118.1 x 45.4 x 9.0 mm	FDB2196	8.4			
FDB2215	4 Pads	35.2 x 39.7 x 8.5 mm	FDB2120	7.6			
FDB2218		102.2 x 42.0 x 8.6 mm	FDB2260	7.5			
FDB2258		86.0 x 40.0 x 8.9 mm	FDB531	10.6			
FDB2260		102.2 x 42.0 x 7.5 mm	FDB2218	8.6			
FDB2270		62.1 x 40.9 x 7.1 mm	FDB659	9.4			
FRP405		36.1 x 45.1 x 6.0 mm	FDB2107				Replacing FDB2107

FERODO™

MOTORCYCLE PADS



Motorcycle Applications

FERODO™

MOTORCYCLE PADS



CC FROM → TO



NOTES



NOTES

ACCOSSATO

50 CROSS	50	2000	→	FSB898	FSB898
50 CROSS MINI	50	1982	→	FSB907	FSB907
50 ENDURO	50	2000	→	FSB898	FSB898
50 ENDURO CODICE	50	1989	→	FDB207	FDB697
CE 50	50	1987	→	FDB207	FDB697
CR 50 CROSS COMPETIZIONE	50	1984	→	FSB898	FSB898
CR 50 ENDURO	50	1984	→	FSB898	FSB898
CR 50 ENDURO COMPETIZIONE	50	1984	→	FSB898	FSB898
80 CROSS	80	2000	→	FSB898	FSB898
CE 80	80	1987	→	FDB207	FDB207
CE 80 CROSS H 20	80	1984	→	FSB904	FSB898
CE 80 ENDURO H 20	80	1984	→	FSB904	FSB898
KR 80	80	1987	→	FDB207	FDB697
CE 125 CROSS H 20	125	1984	→	FSB904	FSB898
CE 125 ENDURO H 20	125	1984	→	FSB904	FSB898

ADLY

Cat 50	50	1998	→	FDB313	FSB731
Fox 50 / SILVER FOX 50	50	2000	→	FDB383	FSB731
G-Shock 50	50	1998	→	FDB313	FSB731
Jet 50	50	1996	→	FDB636	FSB731
Pista 50	50	1996	→	FDB636	FSB731
Predator 50	50	2000	→	FDB636	FSB731
Super Sonic 50	50	2000	→	FDB313	FSB731
Thunderbike 50	50	1997	→	FDB313	FSB731
Cat 100	100	1998	→	FDB313	FSB731
G-Shock 100	100	1998	→	FDB313	FSB731
Jet 100	100	1996	→	FDB636	FSB731
Predator 100	100	2000	→	FDB636	FSB731
Cat 125	125	1998	→	FDB313	FSB731

AJP

PR5 250 Enduro	250	2010	→ 2011	FDB2242	
PR5 250 Supermoto	250	2010	→ 2011	FDB2242	

ALFER

MC 80	80	1988	→	FDB207	FDB2107
MC 80 CROSS	80	1989	→	FDB207	FDB207
MC 125	125	1987	→	FDB207	FDB207
MC 125	125	1988	→	FDB498	FDB207
AR 250	250	1992	→	FDB499	FDB314
AR 250	250	1993	→	FDB2018	FDB314
GR 250 ENDURO	250	1985	→ 1987	FDB207	FDB207
GR 250 ENDURO	250	1988	→	FDB498	FDB207
MC 250	250	1985	→ 1986	FDB207	
MC 250	250	1987	→	FDB207	FDB207
MC 250	250	1988	→	FDB498	FDB207
NO LIMITS 250	250	1995	→	FDB2018	FDB2005
VR 250	250	1994	→	FDB2018	FDB314
VR 250 ENDURO	250	1995	→	FDB2018	FDB2005
VR 250 MOTOCROSS	250	1995	→	FDB2018	FDB2005
VR 250 SUPERMOTARD	250	1999	→	FDB2018	FDB2005
GR 300 ENDURO	300	1985	→ 1987	FDB207	FDB207
GR 300 ENDURO	300	1989	→	FDB499	FDB498
TX 300	300	1990	→	FDB2107	FDB207

ANCILLOTTI

PS 80 MX	80	1983	→	FSB898	FSB898
PST 125 MX	125	1983	→	FSB898	FSB898
PSV 250 MX	250	1983	→	FSB898	FSB901

* It is recommended that in those applications where sintered pads are supplied as Original Equipment, replacement pads should also be of sintered composition.

** To avoid brake imbalance sintered pads fitted in rear calipers should only be used in combination with front calipers containing sintered pads.

1000



CC

FROM → TO



NOTES



NOTES

APRILIA

AF1 50 AE all models	50	1987 →	FDB697	FDB694
AF1 50 EUROPA	50	1991 →	FDB697	FDB694
AF1 50 FUTURA	50	1990 →	FDB697	FDB694
AMICO 50	50	1990 → 1991	FSB788	FSB788
AMICO 50 all models	50	1992 →	FDB680	FSB788
AREA 51 50	50	1998 →	FDB680	FDB680
CLASSIC 50	50	1992 →	FDB677	FSB900
ET 50	50	1984 → 1986	FSB907	FSB803
ET 50 AE	50	1987 →	FDB697	FDB694
ETX 50	50	1986 →	FDB697	FSB803
GULLIVER 50	50	1995 → 1998	FDB680	FSB788
HABANA 50 all models	50	1998 →	FDB680	FSB956
MOJITO CUSTOM 50	50	2004 →	FDB680	
MX 50	50	2000 →	FSB898	FSB898
MX 50	50	2003 →	FDB677	FDB694
RALLY 50	50	1995 →	FDB680	FSB788
RALLY 50 liquid cooled	50	1996 →	FDB680	FDB680
RC 50	50	2000 →	FSB907	FSB907
RC 50 SPECIAL	50	2000 →	FSB898	FSB898
RED ROSE 50	50	1988 → 1991	FDB697	FSB907
RED ROSE 50	50	1992 →	FDB697	FSB900
RS 50	50	1993 → 1998	FDB207	FDB694
RS 50	50	1999 → 2003	FDB677	FDB694
RS 50 / TUONO 50	50	2004 → 2006	FDB677	FDB694
RS 50 / TUONO 50	50	2006 → 2008	FDB2074	FRP405
RS4 50 (Rear AJP caliper)	50	2011 →	FDB2201	FDB384
RS4 50 (Rear JJ caliper)	50	2011 →	FDB2201	FDB313
RX 50	50	1990 → 1991	FDB697	FDB694
RX 50	50	1992 → 1995	FDB677	FDB624
RX 50	50	1996 → 1998	FDB207	FDB624
RX 50 RACING	50	2004 →	FDB677	FDB694
SCARABEO 50	50	1994 → 1995	FSB939	FSB788
SCARABEO 50 / 50 Street 4T-2T	50	1996 →	FDB680	FSB788
SCARABEO 50 2T Street / 4T 4V	50	2010 →	FDB731	
SCARABEO 50 DELUXE	50	1998 →	FDB680	FDB680
SONIC 50 GP	50	1997 →	FDB680	FSB788
SONIC 50 SPICE	50	1997 →	FDB680	FSB788
SR 50 2000	50	2000 →	FDB680	FDB2090
SR 50 all models	50	1993 → 1996	FDB889	FSB788
SR 50 FACTORY	50	2004 →	FDB680	FDB2090
SR 50 R	50	2008 →	FDB2090	FDB2090
SR 50 STEALTH - RACING	50	1997 → 1999	FDB680	FDB680
SR 50 WWW - NETSCAPER	50	1997 → 2001	FDB680	FDB680
SX 50	50	2007 →	FDB677	FDB694
SX 50	50	2008 →	FDB677	FRP405
TUAREG 50	50	1984 → 1986	FSB907	FSB803
TUAREG 50	50	1986 →	FDB697	FSB803
TUAREG 50	50	1987 →	FDB697	FDB624
TUAREG 50 HPC SYSTEM	50	1987 →	FDB438	FDB207
TUAREG 50 RALLY	50	1990 →	FDB697	FDB694
SCARABEO 70	70	1994 →	FDB680	FSB788
CLASSIC 80	80	1993 →	FDB697	FSB900
SCARABEO 100 (Minarelli engine)	100	2000 →	FDB2095	FSB733
SCARABEO 100 (Yamaha engine)	100	2000 →	FDB2095	FSB947
SCARABEO 100 4T / Net	100	2001 →	FDB2095	FSB954
AF1 125	125	1987 →	FDB499	FDB207
AF1 125 EUROPA	125	1990 → 1991	FDB498	FDB207
AF1 125 FUTURA	125	1990 → 1991	FDB498	FDB207
AF1 125 REPLICIA	125	1989 → 1991	FDB498	FDB207
AF1 125 SINTESI	125	1989 → 1991	FDB498	FDB207
ASR 125	125	1986 →	FDB695	FDB207
ATLANTIC (ARECIFE) 125	125	2003 →	FDB2105	FDB2090
CLASSIC 125	125	1996 →	FDB706	FDB207
ETX 125	125	1984 →	FDB695	FSB876
ETX 125	125	1985 → 1986	FDB207	FSB909
ETX 125	125	1986 → 1997	FDB438	FSB909
ETX 125	125	1998 →	FDB677	FDB828
HABANA 125 all models	125	1999 →	FDB2095	FSB954
LEONARDO 125	125	1995 → 1996	FDB207	FDB680
LEONARDO 125	125	1997 → 1998	FDB2081	FDB680
LEONARDO 125	125	1999 →	FDB2095	FDB2095
MOJITO CUSTOM 125	125	2004 →	FDB680	

* It is recommended that in those applications where sintered pads are supplied as Original Equipment, replacement pads should also be of sintered composition.

** To avoid brake imbalance sintered pads fitted in rear calipers should only be used in combination with front calipers containing sintered pads.



CC

FROM → TO



NOTES



NOTES

APRILIA

MX 125	125	1983 →	FSB898	FSB901
MX 125	125	2004 →	FDB2018	FDB828
PEGASO 125	125	1989 →	FDB706	FDB828
PEGASO 125 KAT	125	1994 →	FDB677	FDB828
RED ROSE 125	125	1989 → 1989	FDB438	FSB876
RED ROSE 125	125	1990 →	FDB706	FSB876
RS 125	125	2006 →	FDB2216	FDB2090
RS 125 / TUONO 125	125	2004 →	FDB498	FDB207
RS 125 EXTREMA - REPLICA	125	1993 → 1997	FDB498	FDB207
RS 125 EXTREMA - REPLICA	125	1998 → 1999	FDB2006	FDB207
RS 125 EXTREMA - REPLICA	125	2000 → 2003	FDB498	FDB207
RS4 125 4T (Rear AJP caliper)	125	2011 →	FDB2201	FDB384
RS4 125 4T (Rear JJ caliper)	125	2011 →	FDB2201	FDB313
RX 125	125	1986 →	FDB438	FSB909
RX 125	125	1990 →	FDB706	FDB828
RX 125	125	1991 →	FDB706	FDB828
RX 125	125	1992 → 1994	FDB677	FDB828
RX 125	125	1995 →	FDB2018	FDB828
RX 125	125	2000 →	FSB898	FSB901
RX 125 (Rimoldi wheels)	125	1984 → 1985	FSB898	FSB833
SCARABEO 125	125	1998 → 2006	FDB438	FDB2090
SCARABEO 125 Street	125	2007 →	FDB2105	FDB2090
SPORT PRO 125	125	1993 → 2003	FDB498	FDB207
SPORTCITY 125 ie	125	2004 →	FDB438	FDB2090
SPORTCITY ONE 125	125	2010 →	FDB2142	
SR 125	125	1999 →	FDB2095	FSB954
ST 125	125	1987 →	FDB204	FSB876
STX 125	125	1984 →	FDB695	FSB876
STX 125	125	1986 →	FDB204	FSB876
SX 125	125	2008 →	FDB2018	FDB828
TREND GO WEST 125	125	1987 →	FDB438	FSB909
TUAREG 125	125	1984 →	FSB904	FSB909
TUAREG 125	125	1986 →	FDB438	FDB207
TUAREG 125	125	1987 →	FDB438	FDB207
TUAREG 125 RALLY	125	1986 →	FDB438	FSB909
TUAREG 125 RALLY	125	1989 → 1990	FDB706	FDB828
TUAREG 125 RALLY	125	1991 →	FDB673	FDB828
TUAREG 125 RALLY(Mozzi Rimoldi)	125	1986 →	FDB438	FSB834
TUAREG 125 WIND	125	1990 →	FDB529	FDB207
TX 125	125	1985 →	FSB898	FSB898
TX 125 M	125	1986 →	FRP405	FSB898
LEONARDO 150	150	1997 → 1998	FDB2081	FDB680
LEONARDO 150	150	1999 →	FDB2095	FDB2095
SCARABEO 150	150	1998 →	FDB438	FDB2090
SR 150	150	1999 →	FDB2095	FSB954
ATLANTIC (ARECIFE) 200	200	2003 → 2007	FDB2105	FDB2090
CLIMBER 200	200	1993 →	FDB207	FDB207
SCARABEO 200	200	2001 → 2007	FDB438	FDB2090
SCARABEO 200	200	2009 →	FDB2105	FDB2090
SCARABEO 200 / Class	200	2008 →	FDB2105	FDB2090
SPORTCITY 200	200	2004 →	FDB438	FDB2090
CLIMBER 240	240	1989 → 1990	FDB697	FDB694
TRX 240 M	240	1989 →	FDB697	FDB697
TX 240	240	1985 →	FSB898	FSB898
AF1 250 REPLICA	250	1990 →	FDB498	FDB108
ATLANTIC 250	250	2008 →	FDB2105	FDB2090
LEONARDO 250	250	1999 →	FDB438	FDB2090
MX 250	250	1983 →	FDB207	FSB901
MX 250	250	1984 →	FSB904	FSB904
MX 250	250	2000 →	FSB901	FSB901
RS 250	250	1995 → 1996 (x2)	FRP408	FDB207
RS 250	250	1997 → (x2)	FRP408	FDB680
RS 250	250	1998 → (x2)	FDB2042	FDB207
RX 250	250	1983 →	FDB207	FSB833
RX 250	250	1984 →	FSB904	FSB904
RX 250	250	1986 →	FDB207	FSB909
RX 250	250	2000 →	FSB901	FSB901
SCARABEO 250 ie	250	2007 →	FDB2105	FDB2090
SPORTCITY 250 ie	250	2007 → (x2)	FDB438	FDB2090
TUAREG 250	250	1984 →		FSB911
TUAREG 250 RALLY	250	1986 →	FDB438	FSB909
TUAREG 250 RALLY (Mozzi Rimoldi)	250	1986 →	FDB438	FSB834

* It is recommended that in those applications where sintered pads are supplied as Original Equipment, replacement pads should also be of sintered composition.

** To avoid brake imbalance sintered pads fitted in rear calipers should only be used in combination with front calipers containing sintered pads.



CC

FROM → TO



NOTES



NOTES

...APRILIA

CLIMBER 275	275	1989 → 1992	FDB697	FDB694
CLIMBER 280	280	1993 →	FDB2107	FDB2107
ATLANTIC 300	300	2010 →	FDB2105	FDB2090
LEONARDO 300	300	2004 →	FDB438	FDB2090
SCARABEO 300 Class / Special	300	2010 →	FDB2105	FDB2090
SPORTCITY 300 / Cube Black line	300	2008 → (x2)	FDB438	FDB2090
TX 300	300	1985 →	FSB898	FSB898
TX 300	300	1986 →	FRP405	FSB898
TX 300 M	300	1986 →	FRP405	FSB898
TX 311 M	312	1987 →	FRP405	FSB898
TX 312 M	312	1988 →	FRP405	FRP405
TXR 312 M	312	1988 →	FRP405	FRP405
TRIAL 320	320	1981 →	FSB898	FSB898
ETX 350	350	1986 →	FDB438	FDB207
ETX 350 AE	350	1987 →	FDB438	FDB207
TUAREG 350	350	1987 →	FDB438	FDB207
TUAREG 350 WIND	350	1987 → 1988	FDB438	FDB207
TUAREG 350 WIND	350	1989 →	FDB499	FDB314
TUAREG 350 WIND	350	1990 →	FDB529	FDB314
ATLANTIC Sprint 400	400	2007 →	FDB2105	FDB2090
SCARABEO 400 ie	400	2007 → (x2)	FDB438	FDB2090
MXV 450	450	2008 →	FDB892	FDB2139
RXV 450 / Rally / Merriman Replica	450	2005 →	FDB892	FDB2162
SX 450	450	2008 →	FDB2123	FDB2162
SXV 450	450	2005 → 2007	FDB2245	FDB2162
SXV VD8 450/550 Replica	450	2007 →	FDB2007	FDB2162
ATLANTIC (ARECIFE) 500 (left)	500	2001 →	FDB438	
ATLANTIC (ARECIFE) 500 (right)	500	2001 →	FDB2146	FDB2090
ATLANTIC Sprint 500	500	2007 →	FDB2105	FDB2090
SCARABEO 500	500	2003 → (x2)	FDB2060	FDB2090
SCARABEO 500	500	2008 → (x2)	FDB438	FDB2090
SCARABEO 500 Class	500	2010 → (x2)	FDB438	FDB2090
RXV 550	550	2005 →	FDB892	FDB2162
SX 550	550	2008 →	FDB2123	FDB2162
SXV 550	550	2005 →	FDB2245	FDB2162
ETX 600	600	1986 →	FDB438	FDB207
PEGASO 600	600	1990 →	FDB2006	FDB828
TUAREG 600 WIND	600	1989 → (x2)	FDB314	FDB314
TUAREG 600 WIND	600	1990 →	FDB529	FDB828
TUAREG 600 WIND PARIS-DAKAR	600	1989 →	FDB529	FDB828
TUAREG 600 WIND.	600	1989 →	FDB529	FDB828
MOTO 650 6.5	650	1995 → 1999	FDB2006	FDB828
PEGASO 650	650	1991 → 1995	FDB782	FDB828
PEGASO 650	650	1996 → 2000	FDB2006	FDB828
PEGASO 650 TRAIL	650	2007 →	FDB2006	FDB2005
PEGASO 650 / I.E.	650	2001 → 2004	FDB2006	FDB2005
PEGASO 650 Factory	650	2008 →	FDB2245	FDB2005
PEGASO 650 STRADA	650	2004 →	FDB2042	FDB2005
STARCK 650	650	1996 →	FDB2006	FDB828
SL 750 SHIVER ABS / GT	750	2008 → (x2)	FDB2216	FDB2005
SMV 750 Dorsoduro	750	2008 → (x2)	FDB2216	FDB2005
SMV 750 Dorsoduro FACTORY	750	2010 → (x2)	FDB2099	FDB2005
NA 850 MANA ABS / GT	850	2008 → (x2)	FDB2216	FDB2060
SRV 850 ABS ATC	850	2013 → (x2)	FDB2018	
ETV 1000 CAPONORD / RALLY RAID	1000	2001 → (x2)	FDB2006	FDB2074
RST FUTURA 1000	1000	2001 →	FDB2042	FDB2018
RSV 1000 MILLE	1000	1997 → 2000 (x2)	FDB2042	FDB2074
RSV 1000 MILLE	1000	2001 → (x2)	FDB2120	FDB2074
RSV 1000 MILLE R	1000	2001 → 2003 (x2)	FDB2120	FDB2074
RSV 1000 MILLE R / FACTORY / TUONO RACING	1000	2004 → (x2)	FDB2120	FDB2074
RSV 1000 MILLE R / SP	1000	2000 → (x2)	FDB2042	FDB2074
RSV 1000 TUONO	1000	2004 → (x2)	FDB2042	FDB2074
RSV4 Factory /APRC SE /R	1000	2008 → (x2)	FDB2260	FDB2074
RSV4 Factory /APRC SE /R	1000	2008 → (x2)	FDB2218	FDB2074
RSV4 Factory APRC ABS	1000	2013 → (x2)	FDB2218	FDB2074
RSV4 R APRC ABS	1000	2013 → (x2)	FDB2218	FDB2074
SL 1000 FALCO	1000	2000 → (x2)	FDB2042	FDB2074
TUONO V4 R	1000	2011 → (x2)	FDB2099	FDB2074
TUONO V4 R APRC	1000	2013 → (x2)	FDB2099	FDB2074
CAPONORD 1200	1200	2013 → (x2)	FDB2265	FDB2005
DORSODURO 1200 / ABS / ATC	1200	2011 → (x2)	FDB2099	FDB2005

* It is recommended that in those applications where sintered pads are supplied as Original Equipment, replacement pads should also be of sintered composition.

** To avoid brake imbalance sintered pads fitted in rear calipers should only be used in combination with front calipers containing sintered pads.



CC FROM → TO



NOTES



NOTES

ASPES

CS 50 NAVAHO	50	→		FSB907	FSB907
CS 75 50 NAVAHO	50	→		FSB898	FSB901
CM1 80	80	→		FSB898	FSB898
DUMA 125	125	→		FDB205	FSB901
HUPI 125	125	→		FSB898	FSB901
JUMA 125	125	→		FSB898	FSB901

ATALA

BYTE 50	50	1996 →		FDB680	FSB792
CAROSSELLO 50	50	1997 →		FDB680	FSB788
HACKER 50	50	1996 →		FDB680	FSB777
HACKER 50	50	2000 →		FDB680	FSB792
SCHEGGIA 50	50	1998 →		FDB680	FSB777

ATK (USA)

all models 1984-85		1984 → 1985		FDB207	FSB816
all models 1986		1986 →		FDB207	FDB213
all models 1987		1987 →		FDB207	FRP405
all models 1988		1988 →		FDB498	FDB213
all models 1989-93		1989 → 1993		FDB498	FDB697
all models 1994-95		1994 → 1995		FDB497	FDB497
all models 1996-01		1996 → 2001		FDB2018	FDB2005
500 / 600 Dirt Track	500	1998 → 1999		FRP408	FDB2005
560	560	1984 → 1985		FDB207	
560	560	1986 → 1987		FDB207	FDB213

BENELLI

491 50 GT	50	1997 →		FDB680	FSB788
491 50 SPORT - RACING	50	1997 →		FDB680	FDB680
BOBO 50	50	1978 →		FSB902	FSB902
CITY BIKE 50	50	→		FSB877	FSB877
DEVIL 50	50	1992 →		FDB498	FDB436
EXPORT 3 V 50	50	1979 →		FSB902	FSB902
G 2 50	50	1979 →		FSB902	FSB902
G 2 50 ELLE	50	1979 →		FSB908	FSB908
K2 50 all models	50	1998 → 2001		FDB680	FSB788
MASTER 4 50	50	1995 →		FDB436	
MOTORELLA 50	50	1979 →		FSB902	FSB902
NAKED 50	50	1998 →		FDB680	
PEPE 50 / 50 LX / Old (2t-4t)	50	1999 →		FDB680	FSB788
QUATTRONOVE X	50	2010 →		FDB2185	FDB631
S 50	50	1981 → 1987		FSB877	FSB837
S 50 (tutti i modelli)	50	1987 →		FSB877	FSB837
S 50 LUSO	50	1981 → 1987		FSB877	FSB837
SCOOTY 50	50	→		FSB877	FSB877
SPRING 50	50	1992 →		FDB498	FDB436
DEVIL 80	80	1995 →		FDB498	FDB436
K2 100 BIPOSTO	100	1999 →		FDB680	FSB947
125	125	1976 →		FDB207	FSB818
125 2 C	125	1976 → 1978		FDB207	FSB818
125 2C Dual brakes	125	2000 →		FDB207	FSB818
125 2T - 2 CSE	125	1976 → 1978		FDB207	FSB818
125 JARNO	125	1989 →		FDB498	FDB2081
666 125	125	1998 →		FDB2042	FDB680
ADIVA 125	125	1999 →		FDB680	FDB2115
MACIS 125/150	125	2010 →		FDB2087	FDB2087
S 125 SCOOTER	125	→		FSB856	FSB856
VELVET 125	125	1999 → 2008		FDB680	FDB680
VELVET 125	125	2009 →		FDB677	FDB2090
ADIVA 150	150	1999 →		FDB680	FDB2115
VELVET 150	150	1999 → 2008		FDB680	FDB680
VELVET 150	150	2009 →		FDB677	FDB2090
250 4	250	1976 →		FDB207	FSB818
250 C	250	1976 → 1978		FDB207	FSB818
250 TS	250	1976 → 1978		FDB207	FSB818
CAFFENERO 250 (left)	250	2006 →		FDB497	FDB497
CAFFENERO 250 (right)	250	2006 →		FDB631	

* It is recommended that in those applications where sintered pads are supplied as Original Equipment, replacement pads should also be of sintered composition.

** To avoid brake imbalance sintered pads fitted in rear calipers should only be used in combination with front calipers containing sintered pads.



CC FROM -> TO



NOTES



NOTES

...BENELLI

VELVET 250	250	1999	→		FDB677		FDB2090
254	254	1979	→		FDB213		FSB818
350	350	1983	→	(x2)	FDB207		FDB207
350 4 CIL.	350	1978	→		FDB207		FSB818
350 SPORT	350	1978	→		FDB207		FDB108
350 SPORT II	350	1978	→		FDB207		FDB108
350 T	350	1978	→		FDB207		FDB108
BX 449 Motard	449	2010	→		FDB2120		FDB2005
BX 449 / Enduro	450	2008	→		FDB2018		FDB2005
500	500	1978	→		FDB207		FDB108
500 LS	500	1978	→		FDB207		FDB108
500 QUATTRO	500	1976	→		FDB207		FSB818
650	650	1982	→		FDB207		FDB108
650 SPORT	650	1978	→		FDB207		FDB108
650 T	650	1978	→		FDB207		FDB108
750 SEI	750	1976	→	(x2)	FDB108		
756 DUE	756	2010	→	(x2)	FDB2042		FDB2074
TORNADO NAKED TRE 899 / S	899	2007	→	(x2)	FDB2042		FDB2074
TRE 899 K	899	2007	→	(x2)	FDB2042		FDB2074
900 SEI	900	1978	→	(x2)	FDB108		FDB204
900 TORNADO	900	2000	→	(x2)	FDB2042		FDB2074
TORNADO TRE 900 / RS / Naked Sport Evo	900	2002	→	(x2)	FDB2120		FDB2074
TNT 1130	1130	2004	→	(x2)	FDB2042		FDB2074
TNT 1130 SPORT / CAFE RACER / YUMA	1130	2004	→	(x2)	FDB2120		FDB2074
TNT R 160	1130	2010	→	(x2)	FDB2120		FDB2074
TORNADO TRE 1130	1130	2007	→	(x2)	FDB2120		FDB2074
TRE 1130 K / Amazonas	1130	2006	→	(x2)	FDB2042		FDB2074
TREK 1130 / Amazonas	1130	2010	→	(x2)	FDB2042		FDB2074

BETA

ALP 50	50	1991	→		FDB436		FDB697
ANDY 50 alloy wheels	50	1978	→		FSB902		FSB902
ANDY 50 spoke wheels	50	1978	→		FSB902		FSB902
ARK 50 all models	50	1996	→		FDB680		FDB680
B12 50	50	1973	→		FSB902		FSB902
CH 50	50	1996	→		FDB680		FSB788
CHRONO 50	50	1992	→ 1994		FDB697		FSB788
CHRONO 50	50	1994	→		FDB697		FSB788
CHRONO 50 13	50	1994	→		FDB680		FSB788
CHRONO 50 502	50	1997	→		FDB680		FSB788
EIKON 50	50	1999	→		FRP405		FRP405
FOUR 50 AE	50	1987	→		FDB436		FSB907
FOUR 50 S	50	1987	→		FDB436		FSB907
FOUR TWIN 50	50	1988	→		FDB436		FSB907
KR 50	50	1987	→		FDB697		FDB624
KR 50 ADVENTURE	50	1987	→		FDB697		FDB624
M4 50	50	1983	→				FSB907
M6 50	50	1983	→				FSB907
MINICROSS 50 PRO RACE 12/10	50	2004	→		FDB2127		FDB2127
MINITRIAL 50	50	2008	→		FDB2127		
MIO 50	50	1979	→		FSB902		FSB902
MS 50	50	1980	→		FDB213		FSB907
MX 50 ENDURO	50	1992	→		FDB2107		FDB2107
MX4 50 Special	50	1970	→		FSB907		FSB907
MX6 50	50	1982	→		FSB898		FSB898
MX6 50 EXPORT	50	1977	→		FSB897		FSB897
PULMAN 50	50	1970	→		FSB910		FSB910
QUADRA 50	50	1995	→		FDB680		FSB788
REV 50	50	2000	→		FRP405		FRP405
RR 50 all models	50	1999	→		FDB706		FRP405
RR 50 ENDURO / Racing	50	2005	→		FDB677		FDB2206
RR 50 MOTARD Racing Ed.	50	2008	→		FDB677		FDB2206
RR 50 PRO RACE	50	1998	→		FDB706		FRP405
RX 50	50	1984	→		FDB695		FSB768
SCRAMBLER 50 4 M	50	1982	→		FSB907		FSB907
SQUIRREL 50	50	1983	→		FDB213		FSB907
SUPERMOTARD 50	50	2000	→		FRP405		FRP405
SUPERTRIAL 50	50	1992	→		FRP405		FRP405
TECHNO 50	50	1996	→		FRP405		FRP405
TEMPO 50	50	1993	→		FDB697		FSB788
TR 50	50	1980	→ 1986		FSB907		FSB897

* It is recommended that in those applications where sintered pads are supplied as Original Equipment, replacement pads should also be of sintered composition.

** To avoid brake imbalance sintered pads fitted in rear calipers should only be used in combination with front calipers containing sintered pads.



CC FROM → TO



NOTES



NOTES

...BETA

TR 50	50	1987	→	1988	FSB898	FSB898
TR 50 (SPAIN)	50	1989	→		FRP405	FSB898
EVO 80	80	2008	→		FDB2109	FDB250
EVO 80 Junior	80	2008	→		FRP405	FRP405
REV 80	80	2000	→	2007	FRP405	FRP405
REV 80	80	2008	→		FDB2109	FDB697
TR 80	80	1980	→		FSB907	FSB897
125 6V	125	1974	→		FSB901	FSB901
125 SCRAMBLER	125	1982	→		FSB901	FSB876
ALP 125 4T	125	1999	→	2003	FRP405	FRP405
ALP 125 4T	125	2005	→		FDB677	FDB2206
CR 125	125	1982	→		FSB901	FSB901
CR 125	125	2000	→		FSB897	FSB901
CUSTOM 125	125	1982	→		FDB205	FSB876
EIKON 125	125	1999	→		FDB2081	FDB2090
EVO 125 2T	125	2009	→	2011	FDB2109	FDB2127
EVO 125 2T	125	2012	→		FDB2109	FDB2267
JONATHAN 125	125	1999	→	2001	FRP408	FDB2005
JONATHAN 125	125	2002	→	2005	FRP408	FDB828
KR 125	125	1986	→		FDB207	
KR 125 AFRIKA	125	1987	→		FDB207	
R-125 (Pit Bike) / R125 Minimotard 4T	125	2008	→		FDB636	FRP405
RC 125	125	1976	→		FSB897	FSB901
RC 125 (liquid cooled)	125	1981	→		FSB901	FSB901
RC 125 EXPORT ASPIRATO	125	1980	→		FSB901	FSB901
REV 3 125	125	2000	→		FDB2109	FDB2109
RR Enduro 125 4T	125	2008	→		FDB677	FDB2162
RR MOTARD 125 4T	125	2006	→		FDB677	FDB2206
RX 125	125	1983	→		FDB695	FSB898
RX 125	125	1984	→		FDB695	FSB768
TR 125	125	1980	→	1985	FSB898	FSB898
TR 32 125	125	1986	→		FDB436	FSB898
TR 33 125	125	1987	→		FDB436	FSB898
TR 34 125	125	1988	→		FDB436	FDB697
TR 35 125	125	1990	→		FRP405	FRP405
TRIAL 125	125	1997	→		FRP405	
URBAN 125 / Rebel 125	125	2008	→		FDB677	FDB2206
EIKON 150	150	1999	→		FDB2081	FDB2090
ALP 200 4T	200	2005	→		FDB677	FDB2206
ALP 200 4T	200	2000	→	2003	FRP405	FRP405
EVO 200 2T	200	2012	→		FDB2109	FDB2267
URBAN 200	200	2008	→		FDB677	FDB2206
ALP 240	240	1991	→	1995	FDB436	
ALP 240	240	1996	→		FRP405	FDB207
SUPERTRIAL 240	240	1992	→		FRP405	
TR 240	240	1980	→	1983	FSB898	FSB898
TR 32 240	240	1984	→	1985	FSB898	FSB898
TR 32 240 (mozzo ant autocentrante)	240	1984	→	1985	FSB899	FSB898
TR 33 240	240	1986	→	1988	FDB436	FSB898
TR 33 TREKKING 240	240	1988	→		FDB436	FSB905
TREKKING 240	240	1987	→		FSB898	FSB898
ALP 250	250	1997	→		FRP405	FRP405
CR - RV 250	250	1981	→		FSB901	FSB852
CR 250	250	1983	→		FDB207	FSB901
CUSTOM 250	250	1982	→		FDB205	FSB876
EVO 250 2T/4T	250	2009	→	2011	FDB2109	FDB2127
EVO 250 2T/4T	250	2012	→		FDB2109	FDB2267
GS - RV 250	250	2000	→		FSB901	FSB901
KR 250 AFRIKA	250	1986	→		FDB207	
KR 250 RALLY	250	1987	→		FDB207	
REV 3 250	250	2000	→	2007	FDB2109	FDB2109
REV 3 250 / Long Range	250	2008	→		FDB2109	FDB889
REV 3 250 / Long Range	250	2008	→		FDB2109	FDB889
REV 4T 250	250	2007	→	2008	FDB2109	FDB697
TECHNO 250	250	1996	→		FRP405	FRP405
TR 34 250	250	1986	→	1988	FDB436	FDB697
TR 34 250 (SPAIN)	250	1989	→		FDB436	FDB436
TR 34 250 PROFESSIONAL	250	1989	→		FDB436	FDB697
TR 35 250	250	1990	→	1991	FRP405	FRP405
ALP 260	260	1990	→		FDB436	
SYNT 260	260	1992	→		FDB2107	
TR 34 260	260	1987	→	1988	FDB436	FDB697

* It is recommended that in those applications where sintered pads are supplied as Original Equipment, replacement pads should also be of sintered composition.

** To avoid brake imbalance sintered pads fitted in rear calipers should only be used in combination with front calipers containing sintered pads.

1006



CC FROM -> TO



NOTES



NOTES

...BETA

TR 35 260	260	1989	→	1991	FDB436		
ZERO 260 GARA - TECHNO - SYNT	260	1993	→		FDB2107		
ZERO 260 SYNT	260	1989	→	1992	FDB2107		
EVO 290 2T	290	2009	→		FDB2109	FDB2127	
EVO 300 2T/4T	300	2012	→		FDB2109	FDB2267	
EVO 300 4T	300	2009	→	2011	FDB2109	FDB2127	
ALP 4.0 350	350	2004	→		FDB677	FDB828	
ALP 4.0 350 4T	350	2005	→		FDB677	FDB2206	
CR - RV 350	350	1980	→		FSB901	FSB852	
EURO / JONATHAN 350	350	2003	→	2006	FRP408	FDB383	
EURO 350	350	1999	→	2001	FRP408	FDB2005	
EURO 350	350	2002	→		FRP408	FDB828	
GS -RV 350	350	1980	→		FSB901	FSB852	
M4 Supermotard	350	2006	→		FDB2185	FDB2206	
M4 Supermotard 350	350	2004	→	2006	FDB2185	FDB828	
RR 400 Enduro / Racing Ed.	400	2008	→		FDB892	FDB2162	
FACTORY 450	450	2009	→		FDB892	FDB2162	
RR 450 ENDURO	450	2005	→	2007	FDB2018	FDB2162	
RR 450 ENDURO	450	2008	→		FDB892	FDB2162	
GS - RV 500	500	1984	→		FDB207	FSB852	
RR Enduro 525 4T	525	2008	→		FDB892	FDB2162	

BIMOTA

YB 7 400	400	1989	→	(x2)	FRP408	FDB207	
V DUE 500	500	1997	→	(x2)	FRP408	FDB207	
BELLARIA 600 SPORT	600	1991	→	(x2)	FRP408	FDB108	
YB 9 600 SRI	600	1997	→	(x2)	FRP408	FDB207	
SUPERMONO 650	650	1997	→	(x2)	FRP408	FDB207	
SB 7 750	750	1996	→	(x2)	FRP408	FDB207	
YB 4 750	750	1989	→	(x2)	FRP408	FDB207	
TESI 851 1D	851	1991	→	(x2)	FRP408	FDB108	
DB 1 - 2 900	900	1992	→	(x2)	FRP408	FDB207	
MANTRA 900	900	1997	→	(x2)	FRP408	FDB207	
DB 2 SR 904	904	1994	→	2000 (x2)	FRP408	FDB207	
DB 4 904	904	1998	→	1999 (x2)	FRP408	FDB207	
TESI 906 1D	906	1991	→	(x2)	FRP408	FDB108	
1000 all models ->1988	1000	2000	→	(x2)	FDB108	FDB108	
DB 5 MILLE 1000 /DB5S / DB5R	1000	2006	→	(x2)	FDB2120	FDB2074	
DB6 DELIRIO 1000 /DB6R	1000	2006	→	(x2)	FDB2120	FDB2074	
SB 3 1000	1000	1983	→	(x2)	FDB108	FDB108	
SB 8 1000 R	1000	1998	→	(x2)	FDB2042	FDB207	
YB 10 1000 BIPOSTO	1000	1992	→	(x2)	FRP408	FDB207	
YB 11 1000	1000	1997	→	(x2)	FRP408	FDB207	
YB 6 1000	1000	1989	→	(x2)	FRP408	FDB207	
YB 8 1000 E	1000	1990	→	(x2)	FRP408	FDB207	
YB 8 1000 E.I. FURANO	1000	1990	→	(x2)	FRP408	FDB207	
YB 8 FURANO 1000	1000	1992	→	(x2)	FRP408	FDB207	
YB 10 DIECI 1002	1002	1991	→	(x2)	FRP408	FDB108	
DB7 Oronero Millenovantotto	1098	2009	→	(x2)	FDB2260	FDB2074	
DB7 Oronero Millenovantotto	1098	2009	→	(x2)	FDB2218	FDB2074	
SB 6 1100	1100	1997	→	(x2)	FRP408	FDB207	
TEST 3D 1100	1100	2009	→	(x2)	FDB2120	FDB2074	

BMW

C1 125 Scooter	125	2000	→	2003	FDB2006	FDB2005	
C1 200 Scooter	200	2001	→	2003	FDB2006	FDB2005	
G450 X	450	2008	→		FDB2018	FDB2165	
R 45 450	450	1978	→	1981 (x2)	FDB108	FSB700	
R 45 450	450	1981	→	1985 (x2)	FDB108	FSB701	
R 50/5 500	500	1969	→	1975	FSB806	FSB700	
C 600 SPORT	600	2012	→	(x2)	FDB2006	FDB2006	
R 60/5 600	600	2000	→		FSB806	FSB700	
R 60/6 600	600	2000	→		FSB806	FSB700	
R 60/7 600	600	1976	→	1978	FDB155	FSB700	
C 650 GT	650	2012	→	(x2)	FDB2006	FDB2006	
F 650 / 650 ST	650	1994	→	2000	FDB2006	FDB2005	
F 650 GS / CS	650	2001	→		FDB2006	FDB2005	
F 650 SCARVER	650	2002	→		FDB2006	FDB2005	
G 650 X Challenge / X Country	650	2007	→		FDB2006	FDB2005	

* It is recommended that in those applications where sintered pads are supplied as Original Equipment, replacement pads should also be of sintered composition.

** To avoid brake imbalance sintered pads fitted in rear calipers should only be used in combination with front calipers containing sintered pads.



CC

FROM → TO



NOTES



NOTES

...BMW

G 650 X Moto	650	2008	→		FDB2042		FDB2005
G650 GS	650	2011	→		FDB2006		FDB2005
R 65 650	650	1981	→ 1989	(x2)	FDB108		FDB108
R 65 650	650	1989	→ 2000	(x2)	FDB108		FSB701
R 65 650	650	2000	→		FDB108		FSB700
R 65 650 GS	650	1987	→ 1988		FDB108		FSB701
R 65 650 GS	650	1989	→ 1992	(x2)	FDB204		FSB701
R 65 650 LS	650	1981	→ 1985	(x2)	FDB108		FSB701
R 65 650 LS	650	2000	→		FDB108		FSB804
K 75 750	750	1984	→ 1988	(x2)	FDB108		FSB805
K 75 750	750	1990	→ 1996	(x2)	FDB736		FDB108
K 75 750 (ABS caliper)	750	1991	→ 1996	(x2)	FDB736		FDB108
K 75 750 RT	750	1991	→ 1993	(x2)	FDB736		FDB108
K 75 750 RT	750	1994	→ 2000	(x2)	FDB736		FDB108
K 75 750 S	750	1985	→ 1988	(x2)	FDB108		FDB108
K 75 750 S	750	1988	→ 1993	(x2)	FDB108		FDB108
K 75 750 S	750	1994	→ 2000	(x2)	FDB204		FDB204
R 75/5 750	750	2000	→		FSB806		FSB700
R 75/6 750	750	1975	→ 1979	(x2)	FDB155		FSB700
F800 GS	800	2008	→	(x2)	FDB2006		FDB2005
F800 GT	800	2013	→	(x2)	FDB2042		FDB2005
F800 S / ST / R	800	2007	→	(x2)	FDB2042		FDB2005
R 80 800 all models	800	1977	→ 1981		FDB155		FSB700
R 80 800 all models	800	1982	→ 1984	(x2)	FDB108		FSB701
R 80 800 all models	800	1985	→ 1989	(x2)	FDB108		FSB701
R 80 800 all models	800	1989	→ 1995	(x2)	FDB736		FSB701
R 80 800 GS / PARIS-DAKAR	800	1981	→ 1986		FDB108		FSB701
R 80 800 GS / PARIS-DAKAR	800	1987	→ 1995		FDB204		FSB701
R 80 800 R ROADSTER	800	1993	→ 1994		FDB2050		FDB736
R 80 RT	800	1990	→ 1994	(x2)	FDB204		FSB701
R 850 C	850	1999	→ 2000	(x2)	FDB2050		FDB2039
R 850 GS	850	1999	→ 2000	(x2)	FDB2050		FDB2039
R 850 R	850	2001	→	(x2)	FDB2124		FDB2039
R 850 R ROADSTER	850	1995	→ 2000		FDB108		FDB2039
R 850 RT	850	1998	→ 2001	(x2)	FDB2050		FDB2005
R 850 RT	850	2002	→ 2003	(x2)	FDB2125		FDB2039
R 90 900 S	900	1973	→ 1976	(x2)	FDB155		FSB700
R 90/6 900	900	1973	→ 1976		FDB155		FSB700
K 1 1000	1000	1989	→ 1993	(x2)	FDB2050		FDB108
K 100 1000 all models	1000	2000	→	(x2)	FDB108		FDB108
K 100 1000 LT	1000	1987	→ 1988	(x2)	FDB108		FDB108
K 100 1000 LT	1000	1988	→ 1992	(x2)	FDB736		FDB108
K 100 1000 RS	1000	1983	→ 1988	(x2)	FDB108		FDB108
K 100 1000 RS	1000	1988	→ 1989	(x2)	FDB736		FDB108
K 100 1000 RS 16 VALVES	1000	1990	→ 1992	(x2)	FDB2050		FDB108
K 100 1000 RT	1000	1983	→ 1988	(x2)	FDB108		FDB108
K 100 1000 RT	1000	1988	→ 1989	(x2)	FDB108		FDB108
R 100 1000 all models	1000	1981	→ 1989	(x2)	FDB108		FDB108
R 100 1000 all models	1000	1981	→ 1989	(x2)	FDB108		FSB701
R 100 1000 all models	1000	2000	→	(x2)	FDB155		FSB700
R 100 1000 GS / PARIS-DAKAR	1000	1987	→ 1994		FDB204		FSB701
R 100 1000 R	1000	1991	→ 1995	(x2)	FDB2050		FSB863
R 100 1000 R ROADSTER - MYSTIC	1000	1993	→ 1996	(x2)	FDB736		FSB863
R 100 1000 RS - RT - CS	1000	1981	→ 1988	(x2)	FDB108		FDB108
R 100 1000 RT	1000	1991	→ 1995	(x2)	FDB108		FSB863
S1000RR	1000	2009	→	(x2)	FDB2255		FDB2005
K 1100 LT (ABS)	1100	1992	→ 1993	(x2)	FDB2050		FDB736
K 1100 RS (ABS)	1100	1994	→ 1999	(x2)	FDB2050		FDB736
K 1100 RT (ABS)	1100	1994	→ 1999	(x2)	FDB2050		FDB736
R 1100 GS (ABS)	1100	1994	→ 1999	(x2)	FDB2050		FDB2039
R 1100 R ROADSTER	1100	1995	→ 2000	(x2)	FDB2050		FDB2039
R 1100 RS (ABS)	1100	1994	→ 1999	(x2)	FDB2050		FDB2039
R 1100 RT (ABS)	1100	1995	→ 2001	(x2)	FDB2050		FDB2039
R 1100 S (no ABS)	1100	2001	→	(x2)	FDB2125		FDB2039
R 1100 S ABS	1100	2001	→	(x2)	FDB2124		FDB2039
R 1150 GS	1150	1998	→ 2001	(x2)	FDB2050		FDB2039
R 1150 GS	1150	2001	→	(x2)	FDB2050		FDB2039
R 1150 GS ADVENTURE	1150	2003	→	(x2)	FDB2125		FDB2039
R 1150 R / ROCKSTER	1150	2001	→	(x2)	FDB2124		FDB2039
R 1150 R ROADSTER	1150	2001	→	(x2)	FDB2124		FDB2039
R 1150 RS / RT	1150	2002	→	(x2)	FDB2125		FDB2039
R 1150 RT	1150	2001	→	(x2)	FDB2125		FDB2039

* It is recommended that in those applications where sintered pads are supplied as Original Equipment, replacement pads should also be of sintered composition.

** To avoid brake imbalance sintered pads fitted in rear calipers should only be used in combination with front calipers containing sintered pads.

1008



CC FROM → TO



NOTES



NOTES

...BMW

HP2 Enduro 1200	1200	2007	→		FDB2006	FDB2039
HP2 Megamoto 1200	1200	2008	→	(x2)	FDB2125	FDB2039
HP2 Sport 1200	1200	2008	→	(x2)	FDB2218	FDB2039
HP2 Sport 1200	1200	2008	→	(x2)	FDB2260	FDB2039
K 1200 GT	1200	2003	→	2007	(x2) FDB2125	FDB108
K 1200 GT	1200	2007	→	(x2)	FDB2125	FDB2039
K 1200 LT	1200	1999	→	2001	(x2) FDB2050	FDB2102
K 1200 LT	1200	2001	→	(x2)	FDB2125	FDB2102
K 1200 RS	1200	1997	→	2001	(x2) FDB2050	FDB108
K 1200 RS	1200	2002	→	(x2)	FDB2125	FDB108
K 1200 RT	1200	2008	→	(x2)	FDB2124	FDB2039
K 1200 S / R	1200	2004	→	(x2)	FDB2125	FDB2039
K 1200 ST	1200	1999	→	2001	(x2) FDB2050	FDB736
R 1200 C	1200	1997	→	2000	(x2) FDB2050	FDB2039
R 1200 C CLASSIC	1200	2003	→	(x2)	FDB2124	FDB2039
R 1200 C MONTAUK	1200	2004	→	(x2)	FDB2124	FDB2039
R 1200 CL	1200	2003	→	(x2)	FDB2124	FDB2102
R 1200 GS	1200	2013	→	(x2)	FDB2265	FDB2039
R 1200 GS /Adventure	1200	2004	→	(x2)	FDB2125	FDB2039
R 1200 R	1200	2007	→	(x2)	FDB2124	FDB2039
R 1200 S / ST / RT	1200	2007	→	(x2)	FDB2125	FDB2039
K 1300 GT	1300	2009	→	(x2)	FDB2124	FDB2039
K 1300 R	1300	2009	→	(x2)	FDB2124	FDB2039
K 1300 S	1300	2009	→	(x2)	FDB2125	FDB2039
K 1600 GT/ GTL/GTL E	1600	2011	→	(x2)	FDB2124	FDB2006

BRANDY-BRAS

BRANDY 50	50		→			FSB731
BRANDY 90	90		→			FSB731

BS VILLA

AX 50	50	1993	→		FDB636	FSB788
GZ 50	50	1993	→		FDB636	FSB788
ZX 50	50	1993	→		FDB625	FSB714

BSA

A 7 - A 10 125	125		→			FSB924
BANTAM D1 125	125		→		FSB917	FSB917
BANTAM D7 175	175		→		FSB916	FSB916
C15 250	250		→		FSB918	FSB918

BUELL

all models		1994	→	1997	(x2) FDB847	FDB314
all models		1998	→	2002	(x2) FDB2036	FDB531
Blast 500	500	2000	→	2001	(x2) FDB664	FDB531
XB9R	984	2002	→		FDB2145	FDB531
XB9S / Lightning City XB9SX	984	2003	→		FDB2145	FDB531
XB9SCG	984	2008	→		FDB2240	
1125R / CR	1125	2008	→		FDB2240	
ULYSSES XB12XT	1200	2006	→		FDB2145	FDB531
XB12 SX Lightning City X	1200	2010	→		FDB2240	FDB531
XB12R Firebolt	1200	2004	→		FDB2145	FDB531
XB12S Lightning	1200	2004	→	2008	FDB2145	FDB531
XB12S Lightning	1200	2009	→		FDB2240	FDB531
XB12SCG Lightning Low	1200	2006	→	2008	FDB2145	FDB531
XB12SCG Lightning Low	1200	2009	→		FDB2240	FDB531
XB12SS Lightning Long	1200	2006	→	2008	FDB2145	FDB531
XB12SS Lightning Long	1200	2009	→		FDB2240	FDB531

BULTACO

LOBITO 50	50	1998	→		FDB706	FRP405
LOBITO 75	75	1999	→		FDB706	FDB2107
LOBITO 125	125		→		FSB807	FSB807
PURSANG MK6 125	125		→		FSB807	

* It is recommended that in those applications where sintered pads are supplied as Original Equipment, replacement pads should also be of sintered composition.

** To avoid brake imbalance sintered pads fitted in rear calipers should only be used in combination with front calipers containing sintered pads.



CC FROM → TO



NOTES



NOTES

...BULTACO

PURSANG MK7/8 125	125	→		FSB807		FSB857	
PURSANG MK9 125	125	→		FSB807		FSB807	
SHERPA 125	125	→		FSB807		FSB857	
TRIAL 125	125	→		FSB807		FSB807	
SHERPA 150	150	→		FSB807		FSB857	
SHERPA 151	151	→		FSB807		FSB857	
PURSANG MK6 175	175	→		FSB807			
PURSANG MK6 200	200	→		FSB807			
PURSANG MK9 200	200	→		FSB807		FSB807	
FRONTERA 250 all models	250	→		FSB857		FSB857	
LOBITO 250	250	→		FSB807		FSB807	
PURSANG MK10 250	250	→		FSB807		FSB857	
PURSANG MK11 250	250	→		FSB807		FSB857	
PURSANG MK12 250	250	→		FSB807		FSB857	
PURSANG MK6 250	250	→		FSB807			
PURSANG MK7/8 250	250	→		FSB807		FSB857	
PURSANG MK9 250	250	→		FSB857		FSB857	
SHERCO 250	250	1999 →		FRP405		FRP405	
SHERPA 250 A	250	→		FSB807		FSB807	
SHERPA 250 I	250	→		FSB807		FSB807	
SHERPA 250 N	250	→		FSB807		FSB807	
TRIAL 250	250	→		FSB807		FSB807	
FRONTERA 350 all models	350	→		FSB857		FSB857	
PURSANG MK6 350	350	→		FSB807			
SHERPA 350 A	350	→		FSB807		FSB807	
SHERPA 350 I	350	→		FSB807		FSB807	
SHERPA 350 N	350	→		FSB807		FSB807	
TRIAL 350	350	→		FSB807		FSB807	
PURSANG MK7/8 360	360	→		FSB807		FSB857	
PURSANG MK10 370	370	→		FSB857		FSB857	
PURSANG MK11 370	370	→		FSB857		FSB857	
PURSANG MK12 370	370	→		FSB857		FSB857	
PURSANG MK9 370	370	→		FSB857		FSB857	

CAGIVA

BLUES 50	50	1989 →		FDB438		FDB694	
CITY 50	50	1992 → 1994		FDB625		FSB788	
CITY 50	50	1995 →		FDB2190		FSB788	
COCIS 50	50	1988 →		FDB207		FDB694	
COCIS 50	50	1989 →		FDB207		FDB207	
CORSA 50	50	1998 →		FRP405			
CUCCILO 50	50	1997 →		FDB207			
LUCKY EXPLORER 50	50	1988 →		FDB207		FDB694	
MANTIS 50	50	1998 →		FRP405		FSB777	
MITO 50	50	1998 →		FDB438		FRP405	
NUVOLA 50	50	2000 →		FDB680			
PASSING 50	50	1995 →		FDB2190			
PROGRESS 50	50	1997 →		FRP405		FSB777	
STELLA 50	50	1997 →		FDB2190		FDB2190	
SUPERCITY 50	50	1993 →		FDB529		FDB207	
W4 PRO ACTION 50	50	1994 →		FDB207		FDB694	
WMX 50	50	1989 →		FDB499		FDB828	
COCIS 80	80	1989 →		FDB207		FDB694	
SUPERCITY 80	80	1994 →		FDB529		FDB207	
W4 PRO ACTION 80	80	1994 →		FDB207		FDB694	
N 90 ENDURO	90	1990 →		FDB499		FDB828	
ALETTA 125 ELECTRA	125	1984 →		FDB694		FSB846	
ALETTA 125 ELECTRA	125	1988 →		FDB694		FSB901	
ALETTA 125 ELECTRA	125	2000 →		FDB694		FSB844	
ALETTA 125 ELECTRA CLASSIC	125	1987 →		FDB694		FDB694	
ALETTA 125 ORO S2	125	1986 →	(x2)	FDB694		FDB694	
BLUES 125	125	1988 → 1992		FDB438		FDB207	
BLUES 125	125	1993 →		FDB438		FDB694	
CRUISER 125	125	1987 →		FDB499		FDB694	
DAKAR 125	125	1985 →		FDB694		FSB848	
ELEFANT 125	125	1984 →		FDB694		FSB846	
ELEFANT 125	125	1985 → 1986		FDB694		FSB848	
ELEFANT 125	125	1987 →		FDB207		FSB848	
ELEFANT 125	125	2000 →		FDB694		FSB844	
FRECCIA 125	125	1987 →		FDB499		FDB207	
FRECCIA 125 C10	125	1988 →		FDB529		FDB207	

* It is recommended that in those applications where sintered pads are supplied as Original Equipment, replacement pads should also be of sintered composition.

** To avoid brake imbalance sintered pads fitted in rear calipers should only be used in combination with front calipers containing sintered pads.

1010



CC FROM → TO



NOTES



NOTES

...CAGIVA

FRECCIA 125 C10 ANNIVERSARIO	125	1989	→	FDB529	FDB207
FRECCIA 125 C10 R	125	1988	→	FDB529	FDB207
FRECCIA 125 C12 R	125	1989	→ 1990	FDB529	FDB207
FRECCIA 125 C12 R	125	1991	→	FDB529	FDB207
FRECCIA 125 C9	125	1988	→	FDB499	FDB207
GP 125 S ALETTA ORO	125	1985	→ (x2)	FDB694	FDB694
K7 125 ENDURO	125	1991	→	FDB529	FDB207
MITO 125	125	1991	→ 1992	FDB529	FDB207
MITO 125	125	1993	→	FRP408	FDB207
MITO 2 125 PRODUCTION RACER / Trofeo	125	1994	→	FRP408	FDB207
MITO 525SP	125	2007	→ (x2)	FRP408	FDB207
N 125	125	1991	→	FDB529	FDB694
NUVOLA 125	125	2000	→	FDB680	
PASSING 125	125	1993	→ 1997	FDB2190	FSB704
PLANET 125	125	1998	→	FRP408	FDB207
RAPTOR 125	125	2003	→	FRP408	FDB207
ROADSTER 125	125	1994	→	FDB438	
SST 125	125	1981	→	FDB694	FSB901
SST 125 LOW RIDER	125	1983	→	FDB694	FSB858
SST 125 spoke wheel	125		→	FDB694	FSB858
SUPERCITY 125	125	1994	→	FDB529	FDB207
SXT 125	125	1982	→	FDB694	FSB898
TAMANACO 125	125	1989	→	FDB529	FDB694
W8 125 PRO ACTION	125	1992	→ 1995	FDB529	FDB207
W8 125 PRO ACTION	125	1996	→	FDB529	FDB694
WMX 125	125	2000	→	FSB898	FSB898
WMX 125 (mozzi Rimoldi)	125	1984	→	FSB833	FSB898
WMX 125 /3	125	2000	→	FSB898	FSB898
WMX 125 CROSS	125	1986	→	FDB207	FSB841
WMX 125 CROSS	125	1987	→	FDB499	FSB841
WR 125	125	1993	→	FDB497	FDB250
WRX 125	125	1982	→	FSB898	FSB898
WRX 125 /1	125	1983	→	FSB898	FSB898
WSXT 125 ALETTA ROSSA	125	1983	→	FDB694	FSB844
XRX 125	125	1980	→	FSB898	FSB898
XSST 125	125	1981	→	FDB694	FSB858
XSST 125	125	2000	→	FDB694	FSB858
XSST 125 ruota integrale	125	1978	→		FSB901
XWMX 125	125	1981	→	FSB898	FSB898
ELEFANT 200	200	1985	→	FDB694	FSB848
ELEFANT 200	200	1988	→	FDB694	FSB848
ELEFANT 200 A.E.	200	1986	→	FDB694	FSB848
ROADSTER 200	200	1996	→	FDB438	
ALA BLU 250	250	1983	→	FDB207	FSB849
ALA ROSSA 250	250	1983	→	FDB207	FSB849
ALA VERDE 250	250	1983	→	FDB207	FSB853
MXR 250	250	2000	→	FSB901	FSB901
RX 250	250	2000	→	FSB901	FSB901
SST 250	250	1979	→ 1980	FSB849	FSB858
SST 250	250	1980	→	FDB207	FSB849
SST 250	250	2000	→	FSB849	FSB859
SSX 250	250	1982	→	FDB207	FSB853
ST 250	250	1982	→	FDB207	FSB853
SX 250	250	1982	→	FDB207	FSB849
SX 250	250	2000	→	FSB849	FSB849
WMX 250	250	2000	→	FDB207	FSB898
WMX 250 /1	250	1983	→	FDB207	FSB898
WMX 250 CROSS	250	1987	→	FDB499	FSB841
WRX 250	250	1983	→	FDB207	FSB898
WRX 250	250	2000	→	FSB898	FSB898
ALA AZZURRA 350	350	1983	→	FDB207	FSB853
ALA AZZURRA 350 GT	350	1987	→ (x2)	FDB207	FDB592
ALA BLU 350	350	1983	→	FDB207	FSB849
ALA ROSSA 350	350	1983	→	FDB207	FSB849
ALA ROSSA 350	350	1988	→	FDB207	FSB849
ALA VERDE 350	350	1983	→	FDB207	FSB853
DG 350 TRIAL	350	1983	→	FSB826	FSB826
ELEFANT 350	350	1985	→	FDB592	FDB207
SST 350	350	1981	→	FDB207	FSB849
SST 350	350	2000	→	FSB849	FSB849
SX 350	350	1979	→ 1982	FSB849	FSB849
SX 350	350	1982	→	FDB207	FSB853

* It is recommended that in those applications where sintered pads are supplied as Original Equipment, replacement pads should also be of sintered composition.

** To avoid brake imbalance sintered pads fitted in rear calipers should only be used in combination with front calipers containing sintered pads.



CC FROM -> TO



NOTES



NOTES

...CAGIVA

SX 350	350	2000	→		FSB849		FSB849
T4 350 R - ER	350	1987	→		FDB207		FSB848
W 12 350	350	1992	→		FDB529		FDB207
MXR 400	400	2000	→		FSB901		FSB901
CANYON 500	500	1995	→		FDB497		FDB631
MXR 500	500	2000	→		FSB901		FSB901
T4 500 E - ER	500	1987	→		FDB207		FSB848
WMX 500	500	1984	→		FDB207		FSB845
CANYON 600	600	1996	→ 1997		FDB663		FDB631
RIVER 600	600	1994	→		FRP408		FDB207
ALA AZZURRA 650	650	1984	→	(x2)	FDB207		FDB207
ALA AZZURRA 650 GT	650	1987	→	(x2)	FDB438		FDB207
ELEFANT 650	650	1985	→		FDB592		FDB207
RAPTOR 650 / 650 i.e.	650	2001	→	(x2)	FDB2042		FDB2074
V RAPTOR 650	650	2001	→	(x2)	FDB2042		FDB2074
W 16 650	650	1993	→		FDB529		FDB207
DAKAR 750	750	1987	→		FDB592		FDB207
ELEFANT 750	750	1987	→		FDB592		FDB207
ELEFANT 750	750	1988	→ 1989		FDB592		FDB529
ELEFANT 750	750	1994	→		FDB663		FDB2018
ELEFANT 750 BIFARO	750	1990	→		FDB499		FDB706
900 CAT	900	1993	→	(x2)	FDB570		FDB664
CANYON 900 I.E.	900	1997	→		FDB663		FDB631
ELEFANT 900 I.E.- GT - AC	900	1991	→		FDB663		FDB631
GRAN CANYON 900	900	1999	→	(x2)	FDB570		FDB631
ELEFANT 906	906	1990	→		FDB663		FDB631
NAVIGATOR / NAVIGATOR T	1000	2000	→ 2005	(x2)	FDB570		FDB631
NAVIGATOR 1000	1000	2001	→	(x2)	FDB664		FDB631
RAPTOR 1000	1000	2000	→	(x2)	FDB2042		FDB2074
RAPTOR V 1000	1000	2001	→	(x2)	FDB2042		FDB2074
RAPTOR X3 1000	1000	2003	→	(x2)	FDB2120		FDB2074
RAPTOR XTRA 1000	1000	2003	→	(x2)	FDB2042		FDB2074

CANNONDALE

MX 400	400	2000	→ 2002		FDB892		FDB659
440 (All Enduro / MX Models)	440	2003	→		FDB892		FDB659
S 440 SUPERMOTO	440	2003	→		FDB892		FDB659

CASAL

50 CICLOMOTORI (diam.110)	50		→		FSB860		FSB860
50 CICLOMOTORI (diam.140)	50		→		FSB861		FSB861
RZ 50	50		→		FDB213		

CCM

604 E 600 SPORT	600	1999	→		FDB2018		FDB2005
604 E 600 SUPERMOTO	600	1999	→		FDB2018		FDB2005
C 25 600	600	1996	→		FDB2018		FDB2005
604 RS ROADSTER	604	2000	→		FDB2018		FDB2005

CIMATTI

Gringo 50	50		→		FDB213		
Gringo 50	50	1985	→		FDB436		

CPI

GTR 50	50	2003	→		FDB2074		FDB2057
HUSSAR 50	50	2001	→ 2002		FDB313		FSB731
OLIVER / TNT / STUNT 50	50	2006	→		FDB2062		
OLIVER 50	50	2003	→ 2005		FDB2191		FSB731
POPCORN 50	50	2003	→		FDB2191		FSB732
SUPERCROSS 50	50	2003	→		FDB2107		FDB2107
SUPERMOTO 50	50	2003	→		FDB2107		FDB2107
GTS 50 / 125 / 200	125	2002	→ 2003		FDB2106		FDB2057
HUSSAR 50 / 125 / 150	125	2003	→		FDB2191		FSB731
X-LARGE 125 / 150 / 200	125	2002	→		FDB2074		FDB2074

* It is recommended that in those applications where sintered pads are supplied as Original Equipment, replacement pads should also be of sintered composition.

** To avoid brake imbalance sintered pads fitted in rear calipers should only be used in combination with front calipers containing sintered pads.



CC FROM → TO



NOTES



NOTES

CZ

adaptable to front 85x20 drums →

				FSB936		
JAWA 125	125	1975	→	FSB855	FSB854	
JAWA 125	125	2000	→	FSB854	FSB854	
JAWA 175	175	1975	→	FSB855	FSB854	
JAWA 175	175	2000	→	FSB854	FSB854	
CZ 180	180	1993	→	FDB207		
JAWA 250	250	1975	→	FSB855	FSB854	
JAWA 250	250	2000	→	FSB854	FSB854	
JAWA 350	350	1975	→	FSB855	FSB854	
JAWA 350	350	2000	→	FSB854	FSB854	

DAELIM

"S" FIVE / "E" FIVE	50	2001	→	FDB250		
CORDI 50	50	2004	→	FDB250		
GZ 50 MESSAGE	50	2001	→ 2003	FDB250		
TAPO 50	50	1999	→ 2003	FDB250		
VIVO 50	50	1999	→	FDB250		
ALTINO 100	100	1999	→	FDB250		
DELFINO 100	100	1999	→ 2000	FDB250		
DELFINO 100	100	2001	→ 2003	FDB250		
CITY ACE 110	110	2003	→	FDB312		
ALTINO 125	125	2001	→	FDB250		
HISTORY 125	125	2001	→	FDB250	FDB250	
NS 125	125	2001	→	FDB250	FDB250	
OTELLO / NS 125	125	1999	→	FDB250	FSB964	
ROADWIN 125	125	2004	→	FDB664	FDB631	
ROCKET 125	125	1999	→ 2001	FDB664	FSB964	
VL 125 DAYSTAR	125	2003	→	FDB664		
VS 125	125	1995	→ 1998	FDB250		
VS 125 CUSTOM	125	2001	→	FDB664	FSB964	
VT 125 MAGNA	125	1997	→	FDB664		

DERBI

all models 50	50	1983	→	FSB808	FSB808	
all models 50	50	1988	→	FSB811	FSB811	
all models 50	50	2000	→	FSB809	FSB809	
all models 50 (disc brake)	50	1983	→	FDB2107	FSB808	
AVENTURA 50	50	1996	→	FDB2107	FSB867	
BOX 50	50	1994	→	FSB867	FSB867	
COPPA 50 FDT	50	1986	→	FDB2107	FSB867	
COPPA 50 FDX	50	1987	→	FDB2107	FSB867	
DS 50 WORLD CHAMPION	50	1988	→	FDB2107	FSB867	
FD 50 JUMBO	50	1985	→	FDB2107	FSB867	
FDS 50	50	1986	→	FRP405	FSB810	
FENIX 50	50	1994	→	FRP405	FSB867	
FURAX 50	50	1996	→	FDB2107	FSB867	
FY 50 JUMBO	50	1984	→		FSB867	
GP1 50	50	2002	→ 2006	FRP405		
GP1 50 OPEN	50	2007	→	FDB2106	FRP405	
GPR 50	50	2010	→	FDB2201	FDB384	
GPR 50 NAKED	50	2004	→ 2006	FDB2074	FDB539	
GPR 50 R/REPLICA	50	1997	→ 2005	FDB706	FRP405	
GPR 50 Race Replica	50	2008	→ 2009	FDB2074	FRP405	
GPR 50 SPORT	50	1996	→	FDB697	FDB694	
HUNTER 50	50	1995	→	FRP405	FSB777	
PADDOCK 50 ST	50	1996	→	FRP405	FSB777	
PREDATOR 50	50	1998	→	FDB2107	FDB2107	
PREDATOR 50 0.2	50	1999	→	FDB2107	FSB777	
PROGRESS 50	50	1997	→	FRP405	FSB777	
RECORD 50	50	1998	→	FDB2107	FSB777	
RUNNER 50 2T Blacksoul	50	2011	→	FDB497	FDB680	
SABANA 50	50	1990	→	FDB2107	FDB2107	
SENDA 50	50	1994	→	FRP405	FDB2107	
SENDA DRD Evo 50	50	2008	→	FDB2074	FDB384	
SENDA DRD PRO 50	50	2005	→ 2007	FDB2074	FRP405	
SENDA DRD Pro 50 SM	50	2008	→	FDB2074	FDB2128	
SENDA DRD Racing 50	50	2011	→	FDB497	FDB731	
SENDA DRD RACING R 50	50	2005	→	FDB2106	FRP405	
SENDA DRD X-Treme 50 SM	50	2011	→	FDB731	FDB731	

* It is recommended that in those applications where sintered pads are supplied as Original Equipment, replacement pads should also be of sintered composition.

** To avoid brake imbalance sintered pads fitted in rear calipers should only be used in combination with front calipers containing sintered pads.



CC FROM → TO



NOTES



NOTES

...DERBI

SENDA DRS 50 Racing	50	2008	→	(x2)	FRP405		FRP405
SPORT EDITION 50	50	1995	→		FRP405		
SUPER MOTARD 50	50	2001	→		FRP405		FRP405
URBAN 50	50	1994	→		FSB867		FSB867
VAMOS 50	50	1994	→		FDB2107		FSB777
VAMOS 50 R	50	1995	→		FDB889		FSB777
VAMOS 50 R	50	1996	→		FDB2107		FSB867
VARIANT 50 SPORT R	50	1994	→		FDB2107		FSB867
COPPA 75 SPORT	75	1985	→		FDB2107		
GPR 75 SPORT	75	1990	→		FDB697		FDB694
TT8 75	75	1984	→		FDB207		FSB867
TT8 75	75	2000	→		FSB810		FSB810
TT8 75 (camme 10mm)	75	2000	→		FSB867		FSB867
YUMBO 75 RD-2 FDS	75	1987	→		FDB2107		FSB867
GPR 80 CUP	80	2004	→	2007	FDB2074		FDB539
GPR 80 CUP Criterium Derbi Malossi	80	2008	→		FDB2074		FRP405
BOULEVARD 125 / 150	125	2003	→		FDB2128		
CROSS CITY 125	125	2008	→		FDB2106		FDB2128
Cross City 125	125	2009	→	2013	FDB2242		
GPR 125	125	2010	→		FDB2201		FDB384
GPR 125 / NUDE (Radial Caliper)	125	2004	→	2009	FDB2201		FRP405
Mulhacen 125 (4T) From ref no.: 7N001791	125	2007	→	2010	FDB2242		
MULHACEN CAFE' 125	125	2008	→		FDB2074		FDB384
SENDA 125 R 4T	125	2005	→		FDB2106		FRP405
SENDA BAJA 125 SM	125	2008	→		FDB2106		FDB2128
SENDA DRD 125	125	2010	→		FDB2074		FDB384
SONAR 125	125	2011	→		FDB680		
TERRA 125	125	2007	→	2008	FDB2242		FDB384
TERRA 125 ADVENTURE	125	2008	→	2009	FDB2242		FDB2128
TERRA 125 ADVENTURE	125	2010	→	2013	FDB2242		FDB384
TT8 125	125	1984	→		FSB867		FSB867
TT8 125	125	2000	→		FSB810		FSB810
TT8 125 (camme 10 mm)	125	2000	→		FSB867		FSB867
FUOCO 500 ie	500	2011	→	(x2)	FDB497		FDB2128
MULHACEN CAFE' 659 Angel Nieto Lim. Ed.	659	2008	→		FDB2120		FDB2074
GP800	800	2010	→	2010	(x2) FDB2018		FDB2142
GP800	800	2011	→	(x2)	FDB2018		FDB2128

DUCATI

502 SINGLE	50	1993	→	1999	(x2) FRP408		FDB207
502 SUPERMONO	50	1993	→	1999	(x2) FRP408		FDB207
250	250	2000	→				FSB818
250 DESMO	250	2000	→		FDB148		FSB876
350	350	2000	→				FSB818
350 DESMO	350	2000	→		FDB148		FSB876
350 F3	350	1986	→	(x2)	FDB207		FDB207
350 INDIANA	350	1987	→		FDB592		FDB207
350 S-GTL	350	1975	→		FDB207		FDB207
350 SPORT GTV-SL-XL	350	1975	→	(x2)	FDB207		FDB207
400 DESMO F3	400	1987	→	(x2)	FDB207		FDB207
400 MONSTER	400	1995	→	1997	FRP408		FDB207
400 MONSTER (JAPAN)	400	2000	→		FDB2042		FDB207
SS 400 JUNIOR	400	1992	→	(x2)	FRP408		FDB207
SS 400 NUDA	400	1992	→	(x2)	FRP408		FDB207
450	450	2000	→				FSB818
500 GTL SPORT DESMO	500	1975	→		FDB207		FDB207
500 GTV	500	1977	→	(x2)	FDB207		FDB207
500 PANTAH	500	1977	→	(x2)	FDB207		FDB207
S 500	500	1975	→		FDB207		FDB207
550 SUPERMONO	550	1993	→	1999	(x2) FRP408		FDB207
600 SL	600	1976	→	(x2)	FDB148		FDB148
600 SUPERSPORT CARENATA	600	1994	→	1999	(x2) FRP408		FDB207
600 SUPERSPORT NUDA	600	1994	→	1999	(x2) FRP408		FDB207
600 TL PANTAH	600	1976	→	(x2)	FDB148		FDB148
M 600 MONSTER	600	1993	→	1999	FRP408		FDB207
M 600 MONSTER	600	2000	→		FDB2042		FDB207
M 600 MONSTER	600	2001	→	2002	FDB2042		FDB2074
M 620 MONSTER	620	2002	→	2003	FDB2042		FDB2074
M 620 MONSTER DARK (single/twin disc)	620	2003	→		FDB2042		FDB207
MULTISTRADA 620 (twin disc)	620	2005	→	2006	(x2) FDB2018		FDB207
MULTISTRADA 620 DARK (single disc)	620	2005	→	2006	FDB2042		FDB2074

* It is recommended that in those applications where sintered pads are supplied as Original Equipment, replacement pads should also be of sintered composition.

** To avoid brake imbalance sintered pads fitted in rear calipers should only be used in combination with front calipers containing sintered pads.



CC FROM → TO



NOTES



NOTES

...DUCATI

MULTISTRADA DARK 620	620	2003	→	2005	(x2)	FDB2018	FDB207
SPORT 620	620	2003	→			FDB2042	FDB2074
650 DESMO	650	1987	→		(x2)	FDB108	FDB207
650 INDIANA	650	1986	→	1987	(x2)	FDB207	FDB207
650 INDIANA	650	1987	→			FDB592	FDB207
MONSTER 695	695	2006	→	2008	(x2)	FDB2018	FDB2074
MONSTER 696 +	696	2008	→		(x2)	FDB2042	FDB2074
748 / 748R / 748S	748	2001	→		(x2)	FDB2120	FDB2074
748 BIPOSTO	748	1995	→	1997	(x2)	FRP408	FDB207
748 BIPOSTO	748	1998	→		(x2)	FDB2042	FDB207
748 RACING CLIENTI	748	1995	→	1997	(x2)	FDB2007	FDB207
748 RACING CLIENTI	748	1998	→		(x2)	FDB2042	FDB207
748 SPS	748	1998	→		(x2)	FDB2042	FDB2074
749 / 749R / 749S / 749 DARK	749	2003	→		(x2)	FDB2120	FDB2074
750 ENDURANCE	750	1987	→		(x2)	FRP408	FDB108
750 F1 DESMO	750	1986	→		(x2)	FDB108	FDB207
750 LAGUNA SECA	750	1987	→		(x2)	FRP408	FDB108
750 PASO	750	1987	→		(x2)	FDB108	FDB108
750 SPORT	750	1989	→	2000	(x2)	FDB108	FDB108
750 SPORT	750	2001	→	2002	(x2)	FDB2042	FDB2074
750 SUPERSPORT	750	1976	→	1991	(x2)	FDB108	FDB108
750 SUPERSPORT	750	1992	→	1997	(x2)	FRP408	FDB207
750 SUPERSPORT	750	1998	→	2002	(x2)	FDB2042	FDB2074
M 750 MONSTER	750	1996	→	1999	(x2)	FRP408	FDB207
M 750 MONSTER	750	2000	→		(x2)	FDB2042	FDB207
M 750 MONSTER	750	2001	→	2002	(x2)	FDB2042	FDB2074
SS 750 CARENATA	750	1993	→	1998	(x2)	FRP408	FDB207
SS 750 NUDA	750	1992	→	1998	(x2)	FRP408	FDB207
HYPERMOTARD 796	796	2010	→		(x2)	FDB2042	FDB2074
MONSTER 796 / ABS	796	2011	→		(x2)	FDB2042	FDB2074
800 SUPERSPORT	800	2003	→		(x2)	FDB2042	FDB2074
MONSTER 800	800	2003	→	2006	(x2)	FDB2042	FDB207
MONSTER S2R 800	800	2007	→		(x2)	FDB2018	FDB207
HYPERMOTARD 821	821	2013	→		(x2)	FDB2265	
STRADA 821	821	2013	→		(x2)	FDB2265	
848	848	2008	→		(x2)	FDB2042	FDB2074
Superbike 848 EVO (Racing Vers.) / Corse	848	2011	→		(x2)	FDB2218	FDB2074
Superbike 848 EVO (road version)	848	2011	→		(x2)	FDB2260	FDB2074
850 GT - GTS	850	1977	→	1980	(x2)	FDB342	
851 all models	851	1988	→	1992	(x2)	FRP408	FDB207
880 RACING	880	1994	→	1995	(x2)	FDB2007	FDB207
888 all models	888	1992	→	1995	(x2)	FRP408	FDB207
900 all models	900	1992	→	1998	(x2)	FRP408	FDB207
900 I.E. PASO	900	1992	→	1998	(x2)	FRP408	FDB207
900 SUPERMONO DESMO 4	900	1993	→	1995	(x2)	FRP408	FDB207
FE 900 SUPERSPORT	900	1998	→		(x2)	FDB2042	FDB2074
M 900 MONSTER	900	1993	→	1999	(x2)	FRP408	FDB207
M 900 MONSTER	900	2001	→		(x2)	FDB2042	FDB2074
M 900 MONSTER I.E.	900	2000	→		(x2)	FDB2042	FDB207
906 PASO	906	1989	→	1990	(x2)	FDB108	FDB108
916 RACING CLIENTI	916	1995	→	1998	(x2)	FDB2007	FDB207
916 ST2	916	2001	→	2002	(x2)	FDB2042	FDB2074
916 STRADA	916	1998	→		(x2)	FDB2042	FDB2074
916 STRADA / SENNA / SP / SPS	916	1994	→	1997	(x2)	FRP408	FDB207
916 SUPERSPORT 4	916	1998	→		(x2)	FDB2042	FDB2074
M 916 MONSTER S4	916	2001	→	2002	(x2)	FDB2042	FDB207
944 ST2	944	1997	→	2002	(x2)	FDB2042	FDB2074
944 ST4	944	1999	→		(x2)	FDB2042	FDB2074
944 SUPERSPORT 2	944	1998	→	2002	(x2)	FDB2042	FDB2074
ST3 992	992	2004	→		(x2)	FDB2042	FDB2074
996 BIPOSTO	996	1999	→		(x2)	FDB2042	FDB207
996 R TESTA STRETTA	996	2001	→		(x2)	FDB2120	FDB2074
996 SPS / S	996	1998	→		(x2)	FDB2042	FDB2074
ST4 / ST4 ABS 996	996	2001	→		(x2)	FDB2042	FDB2074
998 BIPOSTO	998	2002	→		(x2)	FDB2042	FDB2074
998 R	998	2002	→		(x2)	FDB2120	FDB207
998 S	998	2002	→		(x2)	FDB2042	FDB207
998 SFE	998	2003	→		(x2)	FDB2120	FDB207
999 R / S	999	2003	→		(x2)	FDB2120	FDB2074
1000 all models	1000	1984	→		(x2)	FDB108	FDB108
Desmosedici RR (Lim. Ed.)	1000	2008	→		(x2)	FDB2260	FDB2074
Desmosedici RR (Lim. Ed.)	1000	2008	→		(x2)	FDB2218	FDB2074

* It is recommended that in those applications where sintered pads are supplied as Original Equipment, replacement pads should also be of sintered composition.

** To avoid brake imbalance sintered pads fitted in rear calipers should only be used in combination with front calipers containing sintered pads.



CC FROM → TO



NOTES



NOTES

...DUCATI

GT 1000	1000	2006	→	2007	(x2)	FDB2006	FDB2074
HYPERMOTARD 1000	1000	2006	→			FDB2120	FDB2074
MONSTER 1000	1000	2003	→	2006	(x2)	FDB2042	FDB207
MONSTER S2R 1000	1000	2007	→		(x2)	FDB2042	FDB207
MONSTER S2R 1000	1000	2008	→		(x2)	FDB2042	FDB2074
MONSTER S4R /S4RS 1000	1000	2006	→	2007	(x2)	FDB2120	FDB207
MONSTER S4R /S4RS 1000	1000	2008	→		(x2)	FDB2042	FDB2074
MONSTER S4R S Testastretta/tricolore	1000	2008	→		(x2)	FDB2120	FDB207
MULTISTRADA 1000 / 1000 DS / 1000S DS	1000	2003	→	2006	(x2)	FDB2042	FDB2074
PAUL SMART 1000 Limited Edition	1000	2007	→		(x2)	FDB2006	FDB2074
SPORT 1000	1000	2006	→		(x2)	FDB2006	FDB2074
Sportclassic GT 1000 / SPORT 1000S / Touring	1000	2008	→		(x2)	FDB2006	FDB2005
SUPERSPORT 1000 DS	1000	2003	→		(x2)	FDB2042	FDB2074
1098 /1098 S / 1098 R Bayliss Lim. Ed.	1098	2007	→		(x2)	FDB2260	FDB2074
1098 /1098 S / 1098 R Bayliss Lim. Ed.	1098	2007	→		(x2)	FDB2218	FDB2074
STREETFIGHTER S	1099	2011	→		(x2)	FDB2218	FDB2074
STREETFIGHTER S	1099	2011	→		(x2)	FDB2260	FDB2074
HYPERMOTARD 1100	1100	2007	→		(x2)	FDB2042	FDB2074
HYPERMOTARD 1100 EVO	1100	2010	→		(x2)	FDB2042	FDB2074
HYPERMOTARD 1100 SP / EVO SP / Corse ed.	1100	2010	→		(x2)	FDB2260	FDB2074
HYPERMOTARD 1100 SP / EVO SP / Corse ed.	1100	2010	→		(x2)	FDB2218	FDB2074
HYPERMOTARD 1100S	1100	2007	→		(x2)	FDB2260	FDB2074
HYPERMOTARD 1100S	1100	2007	→		(x2)	FDB2218	FDB2074
MONSTER 1100 / 1100 S	1100	2009	→		(x2)	FDB2042	FDB2074
MULTISTRADA 1100 / 1100 S / S Touring / S Sport	1100	2007	→		(x2)	FDB2042	FDB2074
Streetfighter / S	1100	2010	→		(x2)	FDB2260	FDB2074
Streetfighter / S	1100	2010	→		(x2)	FDB2218	FDB2074
SUPERBIKE 1198 / S / S Corse / R / SP	1198	2009	→		(x2)	FDB2260	FDB2074
SUPERBIKE 1198 / S / S Corse / R / SP	1198	2009	→		(x2)	FDB2218	FDB2074
1199 Panigale S	1199	2012	→		(x2)	FDB2218	FDB2074
1199 Panigale S	1199	2012	→		(x2)	FDB2260	FDB2074
DIAVEL 1200	1200	2011	→		(x2)	FDB2218	FDB2006
DIAVEL 1200	1200	2011	→		(x2)	FDB2260	FDB2006
MULTISTRADA 1200S(Tour./ABS L.Ed./Sport/Pikes P.)	1200	2010	→		(x2)	FDB2042	FDB2074

FANTIC

BIG WEEL 50	50	1994	→			FDB636	FDB828
CABALLERO 50 RC	50	1990	→			FDB207	FDB694
CABALLERO 50 REG. SUPER 6 M	50	2000	→			FSB897	FSB897
CASA 50	50	1975	→			FSB898	FSB898
COMPETIZIONE 50	50	1975	→			FSB898	FSB898
ENDURO 50	50	1983	→			FSB897	FSB897
ENDURO 50 COMPETITION	50	2000	→			FSB898	FSB898
ENDURO 50 REPLICA	50	1980	→			FSB898	FSB898
FAST 50	50	1988	→			FDB697	FSB898
GRAN TURISMO 50 FOUR (FM. 200)	50	2000	→			FSB898	FSB898
GRINTA 50	50	1995	→			FDB636	FDB828
ISSIMO 50	50	1984	→			FSB877	FSB877
ISSIMO 50 (alloy wheels)	50		→			FSB877	FSB877
ISSIMO 50 (spoke wheels)	50		→			FSB902	FSB902
KOALA 50	50	1987	→			FDB694	FDB694
LEADER 50	50	1995	→			FDB636	FDB828
OASIS 50 .1	50	1986	→			FDB697	FDB624
OASIS 50 .1 E.S.	50	1987	→			FDB697	FDB624
OASIS 50 .1 K.S.	50	1987	→			FDB697	FSB803
OASIS 50 .1 KICK	50	1987	→			FDB697	FSB900
OASIS 50 .1 RALLY	50	1986	→			FDB697	FSB803
PONY 50	50	1993	→			FSB731	FSB731
PONY 50 SR	50	1993	→			FDB636	FSB731
QUEENIE 50	50	1995	→			FDB636	FSB731
R 6 50 SUPER	50		→			FSB897	FSB897
RAIDER 50	50	1981	→			FDB731	FSB803
RAIDER 50 .1	50	1986	→			FDB731	FSB803
REPLICA 50	50	2000	→			FSB898	FSB898
SPRINTER 50	50	1984	→			FSB910	FSB910
SPRINTER 50 3V. R (FM. 248)	50	1983	→			FSB910	FSB910
STRADA 50 (FM. 240)	50	1982	→			FDB731	FSB898
STRADA 50 SUPER SIX	50	1973	→			FDB213	FSB898
TRAILMATIC 50 (FM. 283)	50	1983	→			FSB803	FSB803
TRIAL 50 .1 (FM.268)	50	1986	→			FDB436	FSB803
TRIAL 50 .1 H2O	50	1987	→			FDB436	FSB900

* It is recommended that in those applications where sintered pads are supplied as Original Equipment, replacement pads should also be of sintered composition.

** To avoid brake imbalance sintered pads fitted in rear calipers should only be used in combination with front calipers containing sintered pads.



CC FROM → TO



NOTES



NOTES

...FANTIC

TRIAL 50 .5	50	1989	→	FRP405	FRP405
TRIAL 50 .7	50	1990	→	FRP405	FRP405
TRIAL 50 .9	50	1991	→	FRP405	FRP405
TRIAL 50 I SERIE (mozzi centrali)	50	2000	→	FSB907	FSB897
TRIAL 50 II mozzi conici	50	1983	→	FSB803	FSB803
TRIAL 50 JUNIOR	50	1987	→	FSB803	FSB887
CROSS 80 COMPETITION	80	1981	→	FSB898	FSB901
CROSS 80 COMPETITION	80	2000	→	FSB898	FSB898
ENDURO 80	80	1980	→	FSB898	FSB901
TRIAL 80	80	2000	→	FSB897	FSB897
CROSS 125 COMPETITION	125	1980	→	FSB898	FSB901
ENDURO 125	125	1980	→	FSB898	FSB901
RAIDER 125	125	1983	→	FDB694	FSB899
RAIDER 125 LC	125	1983	→	FDB694	FSB899
REGOLARITA' 125	125	1981	→	FSB898	FSB901
RSX 125	125	1981	→	FSB847	FSB847
SPORT 125	125	2000	→	FDB696	FSB876
SPORT 125 HP1 (FM.265)	125	1985	→	FDB624	FSB781
SPORT 125 MK II	125	2000	→	FDB696	FSB876
SPORT 125 MK II (f.a.tel.1706338)	125	1985	→	FDB696	FSB781
STRADA 125 (FM. 4000-A)	125	1983	→	FDB696	FSB876
TR 125 CR (2T) Cross Competizione	125	2013	→	FDB2242	
TR 125 MR (2T) Motard Competizione	125	2013	→	FDB2242	
TRIAL 125 .1 Progress 1	125	1986	→ 1986	FDB436	FSB898
TRIAL 125 .1 Progress 2	125	1986	→	FDB436	FSB898
TRIAL 125 .3 PROFESSIONAL (FM 361)	125	1987	→	FDB436	FDB436
TRIAL 125 .5	125	1989	→	FRP405	FRP405
TRIAL 125 .9	125	1991	→	FRP405	FRP405
TRIAL 125 7 DAYS mozzi conici	125		→	FSB898	FSB898
TRIAL 125 7 DAYS(mozzi centrali)	125		→	FSB897	FSB847
TRIAL 125 I SERIE. (TEL. grig. m. cen)	125		→	FSB907	FSB897
TRIAL 125 II SERIE (tel.rosso m.cen)	125		→	FSB897	FSB897
TRIAL 125 III SERIE (mozzi conici)	125		→	FSB898	FSB898
TRIAL 125 PROFESSIONAL (FM.237)	125	1983	→	FSB898	FSB898
TZ 125 CS (2T) Caballero Cross	125	2011	→ 2012	FDB2242	
TZ 125 ES (2T) Regolarita Scuderia	125	2011	→ 2012	FDB2242	
TZ 125 SM (2T) Caballero Motard	125	2011	→ 2012	FDB2242	
TZ 170 E (125 E / 4T) Regolarita Casa	170	2011	→ 2013	FDB2242	
TZ 170 ER (125 ER / 4T) Caballero Regolarita Competizione	170	2011	→ 2013	FDB2242	
TZ 170 SM (125 SM/ 4T) Motard Casa	170	2011	→ 2013	FDB2242	
TX 180 E (49cc/2T) Regolarita Casa 50E	180	2012	→ 2013	FDB2242	
TX 180 ER (49cc/2T) Regolarita Competizione 50ER	180	2012	→ 2013	FDB2242	
TX 180 ES (49cc/2T) Regolarita Scuderia 50ES	180	2012	→ 2013	FDB2242	
TX 180 MR (49cc/2T) Motard Competizione 50MR	180	2012	→ 2013	FDB2242	
TX 180 SM (49cc/2T) Motard Casa 50M	180	2012	→ 2013	FDB2242	
TRIAL 200 Progress 1	200	1986	→	FDB436	FSB898
TZ 200 ER (200 ER / 4T) Caballero Regolarita Competizione	200	2011	→ 2013	FDB2242	
TZ 200 MR (200 MR / 4T) Motard	200	2011	→ 2013	FDB2242	
TRIAL 201 Progress2	201	1986	→	FDB436	FSB898
TRIAL 240 (FM 363)	240	1987	→	FDB436	FDB436
TRIAL 240 SEVEN DAYS (FM. 289)	240	1986	→	FSB899	FSB898
TRIAL 241 PROFESSIONAL	241	1986	→	FDB436	FSB898
TRIAL 249	249	1990	→	FRP405	FRP405
COACH 250	250	1991	→	FRP405	FSB898
K-ROO 250	250	1991	→	FRP405	FRP405
K-ROO 250	250	1993	→	FDB2107	FDB2107
RAIDER 250 (FM. 259)	250	1985	→	FDB438	FSB759
TF 250 ES (4T)	250	2011	→ 2013	FDB2242	
TR 250 ES (2T) Enduro Six Day	250	2013	→	FDB2242	
TR 300 ES (2T) Enduro Six Day	300	2013	→	FDB2242	
TRIAL 300 (FM. 403)	300	1984	→	FSB899	FSB898
TZ 300 ES Regolarita Scuderia	300	2011	→ 2012	FDB2242	
TRIAL 301 Progress 1 (FM. 266)	301	1985	→	FDB436	FSB898
TRIAL 301 Progress 2	301	1986	→	FDB436	FSB898
TRIAL 303 (FM 364)	303	1987	→	FDB436	FDB436
TRIAL 305	305	1989	→	FRP405	FRP405
TRIAL 307	307	1990	→ 1991	FRP405	FRP405
TRIAL 200 (FM. 350)	350	1978	→	FSB898	FSB898
TRIAL 240 (FM. 450)	450	2000	→	FSB898	FSB898

* It is recommended that in those applications where sintered pads are supplied as Original Equipment, replacement pads should also be of sintered composition.

** To avoid brake imbalance sintered pads fitted in rear calipers should only be used in combination with front calipers containing sintered pads.



CC FROM → TO



NOTES



NOTES

FB MINARELLI

RIEJU MARATHON 50	50	1974	→	FSB832	FSB832
MR 80	80		→	FDB2107	FSB827

GARELLI

BASIC 50 (alloy wheel fondermonte)	50		→	FSB877	FSB877
BASIC 50 (alloy wheels grimeca)	50		→	FSB908	FSB908
BASIC 50 (spoke wheel)	50		→	FSB902	FSB902
BIG WHEEL 50	50	1993	→ 1994	FDB636	FDB828
BIP RACING 50	50	1994	→	FDB636	
CICLONE 50 I SERIE (spoke wheel)	50		→	FSB907	FSB907
CICLONE 50 II SERIE (alloy wheels)	50		→	FSB907	FSB907
CICLONE 50 N DE LUXE SELF MIX L.C	50		→	FDB213	FSB907
CICLONE 50 N/N DE LUXE SELF MIX L	50		→	FSB907	FSB907
EUREKA 50	50		→	FSB902	FSB902
FORMUNO 50 (from frame n° 2701552)	50	1987	→	FSB906	FSB908
FORMUNO 50 (up to frame n° 2701551)	50	1987	→	FSB903	FSB908
FORMUNO 50 F1 RAID	50	1987	→		FSB908
GRAN TURISMO 50 (alloy wheel)	50		→	FSB907	FSB907
GRINTA	50	1995	→	FDB636	FSB732
GULP 50	50		→	FSB902	FSB902
JUNIOR 50 TURISMO (spoke wheel)	50		→	FSB910	FSB910
KL 50 SV	50		→	FSB907	FSB907
KRS 50	50	2002	→	FDB2190	FSB777
NOI 50 (alloy wheels fondermonte)	50		→	FSB877	FSB877
NOI 50 (alloy wheels grimeca)	50		→	FSB908	FSB908
NOI 50 (spoke wheel)	50		→	FSB902	FSB902
NOI 50 MATIC	50		→	FSB902	FSB902
PONY 50	50	1992	→	FSB732	FSB732
PONY 50 SR	50	1992	→ 1995	FDB636	FSB732
QUEENIE	50	1995	→	FDB636	FSB732
SAHEL 50	50	1991	→	FDB697	FRP405
SUPER VIP 50	50		→	FSB902	FSB902
TEAM MATIC 50	50	1988	→	FSB870	FSB908
TIGER 50 XLE	50	1986	→	FDB697	FDB436
URKA 50	50	1991	→	FDB207	
VIP 50 (alloy wheels grimeca)	50		→	FSB908	FSB908
VIP 50 (spoke wheel)	50		→	FSB902	FSB902
VIP 50 alloy wheels (fondermonte)	50		→	FSB877	FSB877
SAHEL 80	80	1989	→	FDB697	FRP405
FREELAND 125	125	2002	→	FDB2190	FSB777
GTA 125	125	1986	→ 2000 (x2)	FDB694	FDB694
GTA 125	125	1986	→ 1986 (x2)	FDB694	FSB781
JOKER 125	125	2002	→	FDB2190	
TIGER 125 XLE	125	1986	→ 1986	FDB438	FDB624
TIGER 125 XR	125		→	FDB207	FSB911
TIGER 125 XRD	125		→	FDB207	FSB911
TSR 125	125		→	FDB696	FSB876
TSR 125 SELF MIX	125		→	FDB205	FSB876
FREELAND 150	150	2002	→	FDB2190	FSB777
JOKER 150	150	2002	→	FDB2190	
TRIAL 320	320	1986	→	FRP405	FSB898
TRIAL 320	320	2000	→	FSB898	FSB898

GASGAS

EC BOY 50	50	2001	→	FDB2103	FDB2103
EC ROOKIE 50	50	2001	→	FDB438	FDB2103
TXT 50 BOY	50	2004	→	FDB2107	FDB2107
ENDURCROSS 80	80	1994	→	FDB2018	FDB314
CROSS 125	125	1994	→	FDB2018	FDB438
DELTA 125	125	1991	→	FDB2107	
EC / MC 125	125	1996	→ 1999	FDB2018	FDB2005
EC / MC 125	125	2000	→	FDB892	FDB539
ENDURCROSS 125	125	1994	→	FDB2018	FDB314
JT 12 125	125	1995	→	FDB2107	FDB2107
PAMPERA 125	125	1996	→	FDB2107	FDB2107
TRIAL 125	125	1991	→	FDB2107	
TT 125	125	1995	→	FDB2018	FDB2107
TT 125 ENDURCROSS	125	1993	→	FDB2018	FDB438
TXT 125	125	2001	→ 2003	FDB2103	FDB2103

* It is recommended that in those applications where sintered pads are supplied as Original Equipment, replacement pads should also be of sintered composition.

** To avoid brake imbalance sintered pads fitted in rear calipers should only be used in combination with front calipers containing sintered pads.



CC FROM → TO



NOTES



NOTES

...GASGAS

TXT 125 / 200 / 250 / 280 / 300	125	2004	→	FDB2109	FDB2127
JTR 140 CONTACT	140	1996	→	FDB2107	FDB2107
JT 16 150	150	1995	→	FDB2107	FDB2107
JT 160	160	1995	→	FDB2107	FDB2107
EC 200	200	2001	→	FDB892	FDB539
TXT 200	200	2000	→ 2003	FDB2103	FDB2103
TXT 249	249	2001	→ 2003	FDB2103	FDB2103
CROSS 250	250	1995	→	FDB2018	FDB314
EC / MC 250	250	1996	→ 1999	FDB2018	FDB2005
EC / MC 250	250	2000	→	FDB892	FDB539
ENDURCROSS 250	250	1995	→	FDB2018	
JT 25 250	250	1991	→	FDB2107	FDB2107
JT 250 CONTACT	250	1994	→	FDB2107	FDB2107
JTR 250 CONTACT	250	1996	→	FDB2107	FDB2107
PAMPERA 250	250	1996	→ 2001	FRP405	FRP405
PAMPERA 250	250	2002	→	FDB677	FDB2103
T 25 250 CONTACT	250	1993	→	FDB2107	FDB2107
TT 250	250	1995	→	FDB2018	FDB2005
TXT 250	250	2000	→	FDB2103	FDB2103
JTR 270 CONTACT	270	1996	→	FDB2107	FDB2107
TX 270	270	2000	→ 1999	FRP405	FRP405
TXT 280	280	2000	→	FDB2103	FDB2103
EC / MC 300	300	1996	→ 1999	FDB2018	FDB2005
EC / MC 300	300	2000	→	FDB892	FDB539
JT 32 320	320	1991	→	FDB2107	FDB2107
TXT 321	321	2000	→	FDB2103	FDB2103
HALLEY 325 PCX	325	1987	→	FDB436	FDB436
TRIAL 327	327	1989	→	FDB2107	FDB2107
GASGAS 350	350		→	FDB2107	FDB2107
JT 350	350	1995	→	FDB2107	FDB2107
JTR 370 CONTACT	370	1996	→	FDB2107	FDB2107
EC 400	400	2001	→	FDB892	FDB539
FSE 450	450	2004	→	FDB892	FDB539
FSE 450 SM	450	2003	→	FRP408	FDB539

GILERA

503 50	50	1991	→	FDB436	FDB436
BULLIT 50	50	1990	→	FDB436	FSB829
CB 1 50	50		→	FSB902	FSB889
CBA 50	50		→	FSB902	FSB889
CBA 50	50	1986	→	FSB902	FSB889
DNA 50	50	2001	→	FDB677	FDB2057
EAGLET 50	50	1996	→	FDB697	FDB828
EASY MOVING 50	50	1995	→ 1996	FDB680	FSB895
ECO 50	50		→	FSB902	FSB889
GSM 50 / H @ K 50	50	2000	→ 2003	FRP405	FRP405
ICE 50	50	2001	→ 2003	FDB680	
NRG 50	50	1995	→ 2003	FDB680	FSB895
R1 50	50	1990	→ 1998		FSB834
RALLY 50	50	1987	→ 1990		FSB844
RC 50 TOP RALLY	50	1990	→ 1995	FDB828	FDB828
RCR 50	50	2005	→	FRP405	FRP405
RUNNER 50	50	1997	→ 1998	FDB680	FSB938
RUNNER 50 SP / SKP	50	1999	→ 2005	FDB680	FDB2057
RUNNER 50 SP / SKP	50	2006	→	FDB2142	FDB2057
SMT 50	50	2005	→	FRP405	FRP405
STALKER 50	50	1997	→	FDB680	FDB2057
STORM 50	50	1994	→ 1995	FDB680	FSB895
TREND 50	50	1989	→ 1992	FSB910	FSB889
TYPHOON 50	50	1993	→ 1995	FDB680	FSB895
TYPHOON 50	50	1996	→	FDB680	FSB940
TG1 80	80		→	FDB205	FSB901
TG2 80	80		→	FDB205	FSB901
TG3 80	80		→	FDB205	FSB901
TYPHOON 80	80	1995	→	FDB680	FSB895
GIUBILEO 98	98		→	FSB847	FSB897
GIUBILEO 124	124		→	FSB847	FSB897
APACHE 125	125	1991	→	FDB499	FDB383
ARCORE 125	125		→	FSB901	FSB897
ARIZONA 125	125	1983	→	FDB207	FSB838
ARIZONA HAWK 125	125	1986	→	FDB438	FSB838

* It is recommended that in those applications where sintered pads are supplied as Original Equipment, replacement pads should also be of sintered composition.

** To avoid brake imbalance sintered pads fitted in rear calipers should only be used in combination with front calipers containing sintered pads.



CC FROM → TO



NOTES



NOTES

...GILERA

CMM APTS 125	125	1987	→	FDB438	FDB207
CRONO 125	125	1991	→	FDB498	FDB207
CX 125	125	1991	→	FDB498	FDB207
E1 125	125		→	FSB898	FSB901
E1 125 COMPETIZIONE	125		→	FSB898	FSB901
ER 125	125	1987	→	FDB438	FSB838
FAST BIKE 125	125	1987	→	FDB438	FDB207
GFR 125	125	1993	→	FDB498	FDB207
GR1 125	125		→	FDB205	FSB901
HX 125 LC	125	1983	→	FDB207	FSB911
KK 125 APTS	125	1987	→	FDB438	FDB207
KZ 125	125	1986	→	FDB438	FDB207
KZ 125 ENDURANCE	125	1988	→	FDB438	FDB207
MX 1 125	125	1988	→	FDB498	FDB207
MX R 125	125	1990	→	FDB498	FDB207
R1 125 S	125	1988	→	FDB438	FDB207
RC 125 RALLY	125	1987	→	FDB438	FSB838
RC 125 TOP RALLY	125	1989	→	FDB499	FDB383
RRT 125 NEBRASKA	125	1987	→	FDB438	FSB838
RRT 125 NEBRASKA (tubeless tires)	125	1987	→ 2000 (x2)	FDB438	FSB844
RRT 125 NEBRASKA (tubeless tires)	125	1987	→ 2000	FDB438	FSB838
RTX 125	125		→	FDB438	FSB838
RUNNER 125	125	2000	→	FDB677	FSB954
RUNNER 125 FX - SP	125	2000	→	FDB677	FDB2057
RUNNER 125 VX 4T	125	2001	→	FDB677	FDB2115
RV 125	125	1983	→	FDB696	FSB876
RV 125 ES	125	1987	→	FDB438	FSB876
RX 125	125	1984	→	FDB207	FSB838
SP 01 125	125	1989	→	FDB498	FDB207
SP 02 125	125	1990	→	FDB498	FDB207
TG1 125	125		→	FDB205	FSB876
TG2 125	125		→	FDB205	FSB876
TG3 125	125		→	FDB205	FSB876
TYPHOON 125	125	1995	→	FDB680	FSB938
TYPHOON 125 XR KAT	125	2000	→	FDB680	FSB938
XR1 125	125	1988	→	FDB438	FDB207
XR2 125	125	1989	→	FDB438	FDB207
ARCORE 150	150		→		FSB901
RUNNER 180	180	2000	→	FDB677	FSB954
RUNNER 180 FXR - SP	180	1999	→	FDB677	FDB2057
RUNNER 180 VXR 4T	180	2001	→	FDB677	FDB2115
ARIZONA HAWK 200	200	1986	→	FDB438	FSB838
ER 200	200	1987	→	FDB438	FSB838
FAST BIKE 200	200	1987	→	FDB438	FDB207
RTX 200	200	1986	→	FDB438	FSB838
RUNNER 200 VXR	200	2004	→	FDB677	FDB2115
RV 200	200	1985	→	FDB696	FDB207
RV 200 ES	200	1987	→	FDB438	FDB207
RX 200	200	1985	→	FDB207	FSB838
RX 200 ARIZONA	200	1985	→	FDB207	FSB838
T4 200	200		→	FDB205	FSB876
T4C 200	200		→	FDB205	FSB876
T4S 200	200		→	FDB205	FSB876
HX 250 LC	250	1983	→	FDB207	FSB834
NEXUS 250 IE	250	2007	→	FDB2142	FDB2142
NGR 250	250	1985	→ (x2)	FDB694	FDB207
RC 250 RALLY	250	1987	→	FDB438	FDB207
RX 250 ARIZONA RALLY	250	1986	→	FDB207	FSB834
NEXUS 300	300	2009	→	FDB2186	FDB2186
DAKOTA 350	350	1986	→	FDB438	FSB759
ER 350	350	1987	→	FDB438	FSB759
XRT 350	350	1990	→	FDB438	FDB207
DAKOTA 500	500	1987	→	FDB438	
ER 500	500	1987	→	FDB438	FSB759
FUOCO 500	500	2009	→ (x2)	FDB2057	FDB2186
NEXUS 500	500	2004	→ (x2)	FDB2018	FDB2074
SATURNO 500 PIUMA	500	1990	→	FRP408	FDB207
RC 600	600	1989	→ 1990	FDB499	FDB383
RC 600	600	1991	→	FDB529	FDB383
RC 600 NORD WEST	600	1991	→	FDB529	FDB383
RC 600 R	600	1991	→	FDB529	FDB383
RC 600 TOP RALLY	600	1990	→	FDB499	FDB383

* It is recommended that in those applications where sintered pads are supplied as Original Equipment, replacement pads should also be of sintered composition.

** To avoid brake imbalance sintered pads fitted in rear calipers should only be used in combination with front calipers containing sintered pads.

1020



CC FROM → TO



NOTES



NOTES

...GILERA

XRT 600	600	1988	→	FDB438	FDB207
GP800	800	2008	→	FDB2018	FDB625

GREKAV

EIKE 505	50		→	FDB2154	
----------	----	--	---	---------	--

HARLEY DAVIDSON

All Touring Models		2008	→	FDB2210	FDB2210
XL 833 N Iron 883	883	2012	→	FDB2179	FDB2180
XL 883	883	2004	→ 2008	FDB2179	FDB2180
XL 883 C CUSTOM	883	2000	→ 2003	FDB2097	FDB2097
XL 883 C CUSTOM	883	2004	→ 2008	FDB2179	FDB2180
XL 883 EVO	883	1986	→ 1987	FDB352	FDB335
XL 883 EVO	883	1987	→ 1999	FDB352	FDB2001
XL 883 L Sportster LOW / SuperLOW	883	2005	→	FDB2179	FDB2180
XL 883 N Iron	883	2010	→	FDB2179	FDB2180
XL 883 R ROADSTER	883	2002	→ 2003	FDB2097	FDB2097
XL 883 R ROADSTER	883	2005	→ 2007	FDB2179	FDB2180
XLH 883	883	2000	→ 2003	FDB2097	FDB2097
XLX	883	1983	→	FDB333	FDB335
XLX	883	1984	→ 1985	FDB352	FDB335
XLCH 1000 Sportster®	1000	1978	→ 1979	FDB333	FDB334
XLCR 1000 Cafe Racer	1000	1977	→ 1978	FDB333	FDB334
XLH 1000 Sportster®	1000	1978	→ 1981	FDB333	FDB334
XLH 1000 Sportster®	1000	1982	→ 1983	FDB333	FDB335
XLH 1000 Sportster®	1000	1984	→ 1985	FDB352	FDB335
XLS 1000 Roadster®	1000	1979	→ 1981	FDB333	FDB334
XLS 1000 Roadster®	1000	1982	→ 1983	FDB333	FDB335
XLS 1000 Roadster®	1000	1984	→ 1985	FDB352	FDB335
XR 1000	1000	1983	→ 1985	FDB352	FDB335
XL 1100 EVO	1100	1986	→	FDB352	FDB335
XL 1200 C CUSTOM	1200	2000	→ 2003	FDB2097	FDB2097
XL 1200 C Sporster CUSTOM	1200	2004	→	FDB2179	FDB2180
XL 1200 EVO	1200		→ 1999	FDB352	FDB2001
XL 1200 L LOW	1200	2006	→ 2008	FDB2179	FDB2180
XL 1200 N Sportster NIGHTSTER	1200	2007	→	FDB2179	FDB2180
XL 1200 R ROADSTER	1200	2004	→ 2008	FDB2179	FDB2180
XL 1200 S SPORT	1200	2000	→ 2003	FDB2097	FDB2097
XL 1200 X Forty Eight	1200	2010	→ (x2)	FDB2179	FDB2180
XLH 1200	1200	2000	→ 2003	FDB2097	FDB2097
XR 1200	1200	2008	→ 2010 (x2)	FDB2114	FDB2180
XR 1200 X	1200	2010	→ (x2)	FDB2114	FDB2180
VRSCD X night Rod Special	1250	2010	→ (x2)	FDB2210	FDB2210
VRSCF V-Rod Muscle	1250	2010	→ (x2)	FDB2210	FDB2210
FL / FLH Electra Glide® (4-speed)	1340	1972	→	FDB185	
FL / FLH Electra Glide® (4-speed)	1340	1973	→ 1980	FDB185	FDB185
FL / FLH Electra Glide® (4-speed)	1340	1981	→ 1984	FDB185	
FLHR Road King® (all models)	1340	1994	→ 1999	FDB352	FDB485
FLHR Road King® (all models)	1340	2000	→ 2007	FDB2097	FDB2097
FLHS Electra Glide® Sport	1340		→ 1993	FDB352	FDB485
FLHS Electra Glide® Sport	1340	1977	→	FDB185	FDB185
FLHT Electra Glide® (all models)	1340	1983	→	FDB334	
FLHT Electra Glide® (all models)	1340	1984	→ 1985	FDB352	
FLHT Electra Glide® (all models)	1340	1986	→ 1999	FDB352	FDB485
FLHT Electra Glide® (all models)	1340	2000	→ 2007	FDB2097	FDB2097
FLST Heritage Softail®	1340		→	FDB352	FDB335
FLST Heritage Softail®	1340		→ 1990	FDB352	FDB2001
FLSTC Heritage Softail® Classic	1340		→ 1999	FDB352	FDB2001
FLSTC Heritage Softail® Classic	1340	2000	→ 2007	FDB2097	FDB2202
FLSTF Fat Boy®	1340	1990	→ 1999	FDB352	FDB2001
FLSTF Fat Boy®	1340	2000	→ 2007	FDB2097	FDB2202
FLSTN Heritage Softail®	1340	1993	→ 1996	FDB352	FDB2001
FLSTS / FLSTSI Springer Softail®	1340	2000	→ 2005	FDB352	FDB2097
FLSTS Heritage Springer® Softail®	1340	1997	→ 1999	FDB352	FDB2001
FLT Tour Glide® (all models)	1340	1980	→ 1983	FDB334	
FLT Tour Glide® (all models)	1340	1984	→ 1985	FDB352	
FLT Tour Glide® (all models)	1340	1986	→ 1999	FDB352	FDB485
FLTR Road Glide® (all models)	1340	1998	→ 1999	FDB352	FDB485
FLTR Road Glide® (all models)	1340	2000	→ 2004	FDB2097	FDB2097

* It is recommended that in those applications where sintered pads are supplied as Original Equipment, replacement pads should also be of sintered composition.

** To avoid brake imbalance sintered pads fitted in rear calipers should only be used in combination with front calipers containing sintered pads.



CC

FROM → TO



NOTES



NOTES

...HARLEY DAVIDSON

FLTR Road Glide® (all models)	1340	2005 → 2006	FDB2202	FDB2202
FX Super Glide®	1340	1973 →	FDB185	FDB185
FX Super Glide®	1340	1974 → 1977		FDB185
FX Super Glide®	1340	1978 → 1981	FDB333	FDB185
FXB Sturgis® Belt	1340	1977 → 1981	FDB333	FDB185
FXB Sturgis® Belt	1340	1982 →	FDB333	FDB335
FXD Dyna Super Glide®	1340	1995 → 1999	FDB352	FDB2001
FXD Dyna Super Glide®	1340	2000 → 2007	FDB2097	FDB2097
FXDB Dyna Street Bob	1340	1991 → 1992	FDB352	FDB2001
FXDC Dyna Super Glide® Custom	1340	1991 → 1992	FDB352	FDB2001
FXDC Dyna Super Glide® Custom	1340	2008 →	FDB2250	FDB2251
FXDG Dyna Glide Sturgis®	1340	1991 →	FDB352	FDB2001
FXDL Dyna Low Rider®	1340	1993 → 1999	FDB352	FDB2001
FXDL Dyna Low Rider®	1340	2000 → 2007	FDB2097	FDB2097
FXDL Dyna Low Rider®	1340	2008 → 2008	FDB2250	FDB2251
FXDS-Conv. / Dyna Convertible	1340	→	FDB2097	FDB2097
FXDS-Conv. / Dyna Convertible	1340	1994 → 1999	FDB352	FDB2001
FXDWG Dyna Wide Glide®	1340	1993 → 1999	FDB352	FDB2001
FXDWG Dyna Wide Glide®	1340	2000 → 2007	FDB2097	FDB2097
FXDWG Dyna Wide Glide®	1340	2008 →	FDB2250	FDB2251
FXDX Dyna Super Glide® Sport	1340	1995 → 1999	FDB352	FDB2001
FXDX Dyna Super Glide® Sport	1340	2000 → 2005	FDB2097	FDB2097
FXDXT Super Glide® T - Sport	1340	2001 → 2003	FDB2097	FDB2097
FXE Super Glide®	1340	1973 →	FDB185	FDB185
FXE Super Glide®	1340	1974 → 1977		FDB185
FXE Super Glide®	1340	1978 → 1981	FDB333	FDB185
FXE Super Glide®	1340	1982 → 1983	FDB333	FDB335
FXE Super Glide®	1340	1984 → 1985	FDB352	FDB335
FXEF Super Glide®	1340	1978 → 1981	FDB333	FDB185
FXEF Super Glide®	1340	1984 → 1985	FDB352	FDB335
FXLR Low Rider® Custom	1340	→ 2000	FDB352	FDB335
FXLR Low Rider® Custom	1340	→ 1994	FDB352	FDB2001
FXR Super Glide®	1340	→ 1994	FDB352	FDB2001
FXR Super Glide®	1340	1986 →	FDB352	FDB335
FXR Super Glide® II	1340	1982 → 1983	FDB333	FDB335
FXRD Sport Glide® Grand Touring	1340	1986 →	FDB352	FDB335
FXRS Low Glide	1340	→ 1992	FDB352	FDB2001
FXRS Low Glide	1340	1984 →	FDB352	FDB335
FXRS Super Glide® II	1340	1982 → 1983	FDB333	FDB335
FXRT Sport Glide®	1340	→ 1992	FDB352	FDB2001
FXRT Sport Glide®	1340	1983 →	FDB333	FDB335
FXRT Sport Glide®	1340	1984 →	FDB352	FDB335
FXS Black Line	1340	2012 →	FDB2250	FDB2251
FXS Sturgis®	1340	1977 → 1981	FDB333	FDB185
FXS Sturgis®	1340	1982 →	FDB333	FDB335
FXSB Low Rider®	1340	1983 →	FDB333	FDB335
FXSB Low Rider®	1340	1984 → 1985	FDB352	FDB335
FXST Softail®	1340	→ 1990	FDB352	FDB2001
FXST Softail®	1340	1984 →	FDB352	FDB335
FXST Softail® Standard	1340	1999 →	FDB352	FDB2001
FXST Softail® Standard	1340	2000 → 2005	FDB2097	FDB2097
FXST Softail® Standard	1340	2006 → 2007	FDB2097	FDB2202
FXSTB Night Train®	1340	→ 1999	FDB352	FDB2001
FXSTB Night Train®	1340	2000 → 2005	FDB2097	FDB2097
FXSTB Night Train®	1340	2006 → 2007	FDB2097	FDB2202
FXSTB Night Train®	1340	2008 →	FDB2250	FDB2251
FXSTC Softail® Custom	1340	→ 1999	FDB352	FDB2001
FXSTC Softail® Custom	1340	1986 →	FDB352	FDB335
FXSTC Softail® Custom	1340	2007 →	FDB2097	FDB2097
FXSTC Softail® Custom	1340	2008 →	FDB2250	FDB2251
FXSTD Softail® Duece®	1340	2000 → 2007	FDB2097	FDB2202
FXSTS / FXSTSI Springer Softail®	1340	2000 → 2005	FDB352	FDB2097
FXSTS / FXSTSI Springer Softail®	1340	2006 →	FDB352	FDB2202
FXSTS Springer Softail®	1340	→ 1999	FDB352	FDB2001
FXSTSB Bad Boy	1340	1995 → 1997	FDB352	FDB2001
FXWG Wide Glide®	1340	1980 → 1981	FDB333	FDB185
FXWG Wide Glide®	1340	1982 → 1983	FDB333	FDB335
FXWG Wide Glide®	1340	1984 → 1986	FDB352	FDB335
VRSC V-Rod® (All Models)	1340	2000 → 2005	FDB2097	FDB2097
VRSC V-Rod® (All Models)	1340	2006 → 2008	FDB2210	FDB2210
FLHR Road King® (all models)	1450	2008 →	FDB2210	FDB2210
FLHT Electra Glide® (all models)	1450	2008 →	FDB2210	FDB2210

* It is recommended that in those applications where sintered pads are supplied as Original Equipment, replacement pads should also be of sintered composition.

** To avoid brake imbalance sintered pads fitted in rear calipers should only be used in combination with front calipers containing sintered pads.



CC FROM → TO



NOTES



NOTES

...HARLEY DAVIDSON

FLHX Street Glide®	1450	2006	→	2007	FDB2097	FDB2097
FLHX Street Glide®	1450	2008	→		FDB2210	FDB2210
FLST Heritage Softail®	1450	2006	→		FDB2097	FDB2202
FLSTC Heritage Softail® Classic	1450	2008	→	2010	FDB2250	FDB2251
FLSTF Fat Boy® /Fat Boy® Special	1450	2008	→		FDB2250	FDB2251
FLSTN Softail® Deluxe	1450	2005	→	2007	FDB2097	FDB2097
FLSTN Softail® Deluxe	1450	2008	→		FDB2250	FDB2251
FLSTSB Crossbones®	1450	2008	→		FDB352	FDB2251
FLSTSC Springer® Classic	1450	2005	→		FDB352	FDB2097
FLSTSC Springer® Classic	1450	2006	→	2007	FDB352	FDB2202
FLTR Road Glide® (all models)	1450	2007	→	2008	FDB2250	FDB2251
FLTR Road Glide® (all models)	1450	2008	→		FDB2210	FDB2210
FXCW Rocker®	1450	2008	→		FDB2250	FDB2251
FXCWC Rocker® C	1450	2008	→	2010	FDB2250	FDB2251
FXD Dyna Super Glide®	1450	2008	→		FDB2250	FDB2251
FXDB Dyna Street Bob	1450	2005	→	2007	FDB2097	FDB2097
FXDB Dyna Street Bob	1450	2008	→		FDB2250	FDB2251
FXDC Dyna Super Glide® Custom	1450	2005	→	2007	FDB2097	FDB2097
FLST SB Softail Cross Bones	1584	2010	→			FDB2251
FXCWC Softail Rocker C	1584	2010	→		FDB2250	FDB2251
FXDF Fatbob®	1584	2008	→	(x2)	FDB2250	FDB2251
FLD Switch Back	1690	2012	→		FDB2250	FDB2251
FLHTC Electra Glide Classic	1690	2010	→	(x2)	FDB2210	FDB2210
FLHTK Electra Glide Ultra Ltd.	1690	2010	→	(x2)	FDB2210	

HERCULES

Lotus 80 SA	80		→		FDB213	
Lotus 80 SW	80		→		FDB207	

HERCULES (SACHS)

CHOPPER 50	50		→	(x2)	FDB213	
GIPSY 50	50	1993	→		FDB680	FSB704
LIMBO 50	50	1993	→		FSB703	FSB704
RX - 9 / RX - 9 50 AIRCOOLED	50		→		FDB213	
SAMBA SR 50	50	1993	→		FSB704	FSB704
SUPRA 50 4 GP	50		→		FDB213	
ULTRA 50 RS	50		→		FDB213	
ULTRA 50 RS 40	50		→		FDB213	
SAMBA SR 80	80	1993	→		FDB672	FSB704
ULTRA 80 RS	80		→		FDB213	
ULTRA 80 RS AC	80		→	(x2)	FDB213	
SAMBA SR 125	125	1993	→		FDB672	FSB704
ULTRA 125 RS	125		→		FDB213	

HERO

Karizma ZMR 230	320	2011	→	2012	FDB2169	
-----------------	-----	------	---	------	---------	--

HONDA

C 50 Z2 ZZ ZA	50	1975	→	1993	FSB704	FSB704
CAMINO 50 all models	50	1980	→		FSB712	FSB712
CB 50 J all models	50	1981	→		FSB704	FSB704
CF 50 CHALY	50	1979	→		FSB704	FSB704
CR 50 R	50	1986	→		FDB382	
CR 50 RE - RF	50	1984	→		FSB714	FSB714
CRE 50 Baja	50	2011	→		FDB497	FDB828
CRE 50 SIX Comp.	50	2007	→	2012	FDB2268	FDB2162
CRE 50 Six Racing	50	2011	→		FDB892	FDB2162
CRF 50R	50	2004	→		FSB702	FSB702
CRM 50	50	1988	→	1992	FDB250	FSB756
CRM 50	50	1993	→	1996	FDB250	FDB539
CRM 50 Derapage	50	2011	→		FDB497	FDB828
CRM 50 Derapage Comp.	50	2007	→	2012	FDB2268	FDB2162
DAX 50	50	1993	→	1996	FSB704	FSB704
G-DASH 50	50	1989	→	1992	FDB250	FSB714
GP 50 DIO	50	1991	→	1995	FDB625	FSB714

* It is recommended that in those applications where sintered pads are supplied as Original Equipment, replacement pads should also be of sintered composition.

** To avoid brake imbalance sintered pads fitted in rear calipers should only be used in combination with front calipers containing sintered pads.



CC FROM → TO



NOTES



NOTES

...HONDA

HM 50 CRE	50	2006	→	FDB677	FDB2128
LIFE DIO 50	50	1994	→	FSB714	FSB714
MB 50	50	1982	→	FDB250	FSB705
MBX 50 SD - SF	50	1983	→	FDB312	FSB705
MONKEY 50	50	1988	→		FSB704
MT 50	50	1980	→	FSB705	FSB705
MTX 50 S	50	1983	→	FSB705	FSB705
MXR 50	50		→	FDB250	FSB705
NB 50	50	1985	→	FSB702	FSB703
NB 50 DELUX	50	1982	→	FSB702	FSB703
NB 50 MELODY	50	1982	→	FSB702	FSB703
NB 50 MSB	50	1982	→	FSB702	FSB703
NC 50 A	50	1982	→	FSB702	FSB702
NC 50 B	50	1982	→	FSB702	FSB702
NC 50 C	50	1982	→	FSB702	FSB702
NC 50 EXPRESS 2	50	1982	→	FSB702	FSB702
NC 50 EXPRESS 3	50	1982	→	FSB702	FSB702
NC 50 KI	50	1979	→	FSB702	FSB702
NC 50 Z EXPRESS	50	1979	→	FSB702	FSB702
ND 50	50	1982	→	FSB702	FSB703
ND 50 MELODY 2 all models	50	1982	→	FSB702	FSB703
NE 50 VISION	50	1985	→	FSB702	FSB703
NH 50 LEAD	50	1988	→ 1992	FDB2192	FSB703
NH 50 LEAD	50	1993	→ 1994	FSB704	FSB703
NH 50 LEAD	50	1994	→	FDB672	FSB703
NH 50 LEAD	50	2000	→	FSB704	FSB703
NP 50 D MELODY MINI	50	1983	→	FSB702	FSB703
NSC 50	50	2012	→	FDB2256	FSB963
NSR 50	50	1993	→ 1994	FDB312	FSB705
NSR 50	50	1994	→ 2000	FDB631	FSB705
NSR 50 (Spain)	50		→	FDB312	FDB539
NU 50 MC RUNAWAY	50	1982	→	FSB714	FSB703
NV 50 MSD STREA	50	1984	→	FSB703	FSB703
NX 50 A	50	1982	→	FSB702	FSB703
NX 50 B	50	1982	→	FSB702	FSB703
NX 50 MB CAREN	50	1982	→	FSB702	FSB703
OR 50	50	1993	→	FSB702	FSB703
PA 50 all models	50	1980	→	FSB712	FSB712
PC 50 KI	50	1979	→	FSB702	FSB702
PF 50 M	50	1975	→	FSB712	FSB712
PK 50 WALLAROO DX - STD	50	1990	→ 2001	FSB714	FSB704
PX 50 all models	50	1982	→ 1983	FSB712	FSB703
PX 50 E	50	1984	→	FSB712	FSB752
PXR 50 ALL MODELS	50	1985	→ 1995	FSB758	FSB754
QA 50 K1/3	50	1987	→ 1990	FSB704	FSB704
QR 50	50	1993	→	FSB702	FSB714
QR 50 ED	50	1982	→ 1990	FSB702	FSB703
SA 50 ELITE LX	50	1988	→ 1990	FSB702	FSB703
SA 50 J VISION MET-IN	50	1988	→ 1990	FSB714	FSB714
SAA 50 VISION	50	1993	→	FSB714	FSB714
SFX 50	50	1995	→	FDB680	FSB704
SH 50 CITY EXPRESS	50	1984	→ 1996	FSB704	FSB715
SH 50 SCOOPY	50	1988	→ 1994	FSB715	FSB715
SH 50 SCOOPY / FIFTY	50	1997	→ 2003	FDB680	FSB704
SJ 50 BALI	50	1993	→ 1999	FDB2060	FSB704
SKY 50	50	1997	→	FDB680	FSB704
SKY 50 VETRO	50	2000	→	FDB680	FSB704
SR 50 DIO	50	1990	→	FDB625	FSB714
SR 50 LIFE DIO	50	1994	→	FDB625	FSB714
SS 50 ZB2	50	1977	→ 1980		FSB704
SS 50 ZK2	50	1975	→ 1977	FSB704	FSB704
ST 50	50	1978	→ 1993	FSB704	FSB704
ST 50 DAX	50	1993	→ 1996	FSB704	FSB704
SUPER DIO 50 SR	50	1991	→ 1992	FDB625	FSB714
SUPER DIO 50 ZX	50	1992	→	FDB625	FSB714
SXR 50	50	1997	→ 1999	FDB680	
TLM 50 F	50	1985	→	FSB714	FSB714
VT 50 SHADOW	50	1998	→		FSB704
X8R 50 S	50	1998	→	FDB680	FDB2101
X8R 50 X	50	1998	→	FDB680	FDB2101
XL 50	50		→	FSB705	FSB705
XR 50 DIO BAJA	50	1994	→	FDB625	FSB714

* It is recommended that in those applications where sintered pads are supplied as Original Equipment, replacement pads should also be of sintered composition.

** To avoid brake imbalance sintered pads fitted in rear calipers should only be used in combination with front calipers containing sintered pads.



CC FROM → TO



NOTES



NOTES

...HONDA

XR 50 R	50	2000	-	FSB702	FSB702
YUPY 50	50	1992	-	FDB625	
Z 50 all models	50	1979	- 1991	FSB702	FSB702
ZX 50 LIFE DIO	50	1994	-	FDB625	FSB714
ZX DIO 50	50	1995	-	FDB625	FSB714
CR 60 R	60	1986	-	FSB714	FSB714
CR 60 RG	60	1986	-	FSB714	FSB714
C 70 all models	70	1975	-	FSB704	FSB704
CF 70 C	70	1978	- 1979	FSB704	FSB704
CF 70 K2	70	1978	- 1980	FSB704	FSB704
CRF 70F	70	2004	-	FSB714	FSB714
DAX ST 70	70	1978	- 1980	FSB704	FSB704
XR 70 RV	70	1997	- 2003	FSB714	FSB714
CRM 75	75	1990	- 1994	FDB495	FDB539
CRM 75 R	75	1990	- 1994	FDB495	FDB539
NF 75	75	1979	-	FSB704	FSB704
NS-1 75	75	1992	-	FDB2087	FDB783
NSR 75 / FII	75	1988	- 2000	FDB312	FSB705
SA 75 VISION	75	1988	-	FSB704	FSB714
SH 75 SCOOPY	75	1988	- 1995	FSB704	FSB715
XR 75 K4	75	1975	- 1979	FSB705	FSB705
XR 75 K5	75	1979	-	FSB704	FSB705
YUPY 75	75	1991	-	FDB539	FSB704
CH 80 ELITE	80	1985	- 1990	FSB704	FSB714
CR 80 R	80	1987	- 1991	FDB250	FSB756
CR 80 R	80	1992	- 2006	FDB250	FDB539
CR 80 R	80	2007	-	FDB661	FDB539
CR 80 R2F	80	1985	-	FSB705	FSB756
CR 80 RA - RB	80	1980	- 1981	FSB705	FSB705
CR 80 RC	80	1982	-	FSB705	FSB714
CR 80 RD - RE - RF	80	1983	- 1984	FSB714	FSB714
CR 80 RG	80	1986	-	FDB382	FSB756
CRM 80	80	1988	- 1992	FDB250	FSB756
CRM 80	80	1993	-	FDB250	FDB539
MB 80	80	1980	-	FDB313	FSB756
MBX 80	80	1982	-	FDB312	FSB705
MBX 80 (ESPANA)	80	1984	-	FDB312	FSB704
MBX 80 DX	80	1982	-	FDB312	FSB705
MBX 80 FWD	80	1983	- (x2)	FDB250	FSB705
MBX 80 VOLLUERKLEIDUNG	80	1985	-	FDB312	FSB705
MCX 80 all models	80	1982	- 1984	FDB313	FSB705
MT 80 all models	80	1980	- 1984	FSB705	FSB705
MTX 80 all models	80	1982	- 1984	FSB705	FSB705
NH 80 LEAD	80	1988	-	FDB2192	FSB703
NH 80 LEAD	80	2000	-	FSB704	FSB703
NH 80 LEAD AERO	80	1983	- 1984	FSB704	FSB703
NH 80 LEAD M D AERO	80	1983	- 1986	FSB704	FSB703
NH 80 LEAD SCOOTER	80	1985	-		FSB703
NH 80 LEAD SCOOTER	80	1986	- 1987		FSB703
NSR 80 R	80	1987	- 1992	FDB312	FDB539
NSR 80 R	80	1993	- 1998	FDB631	FDB539
SH 80	80	1984	-	FSB704	FSB715
SH 80 SCOOPY	80	1988	-	FSB704	FSB715
XR 80 A - B - Z	80	1980	- 1984	FSB705	FSB705
XR 80 R	80	1985	-	FSB714	FSB714
XR 80 RJ	80	1989	-	FSB705	FSB705
CR 85 R/RB	85	2003	- 2007	FDB661	FDB539
C 90	90	1993	-	FSB705	FSB705
C 90 C - E - G - M - FG	90	1975	-	FSB704	FSB704
C 90 Z2 - ZZ	90	1975	- 1991	FSB704	FSB704
EZ 90 CUB	90	1990	-	FSB704	FSB704
VT 90 SHADOW	90	1998	-		FSB704
YUPY 90 (NH 90)	90	1990	-	FDB672	FSB705
CB 100 N	100	1978	-	FDB485	FSB705
CRF 100R	100	2004	-	FSB714	FSB714
H 100 A - SD	100	1982	-	FSB704	FSB704
LEAD 100	100		-	FDB382	
LEAD 100	100		-	FDB2119	FSB963
SH 100	100	1997	- 2001	FDB680	FSB704
SJ 100 BALI - EX	100	1998	- 1999	FDB2060	FSB704
SUPRA 100	100	1999	-	FDB631	FSB704
SUPRA 100	100	2000	-	FSB704	FSB704

* It is recommended that in those applications where sintered pads are supplied as Original Equipment, replacement pads should also be of sintered composition.

** To avoid brake imbalance sintered pads fitted in rear calipers should only be used in combination with front calipers containing sintered pads.



CC

FROM → TO



NOTES



NOTES

...HONDA

XL 100 all models	100	1978 →	FSB705	FSB705
XR 100 R	100	1985 → 2003	FSB714	FSB714
CT 110 K/M/P	110	1989 → 2003	FSB704	FSB705
CT 110 P	110	1989 → 2004	FSB705	FSB705
CT 110 X	110	2004 →	FSB705	FSB963
NSC 110	110	2011 →	FDB2256	FSB963
SCV 110	110	2010 → 2011	FDB2256	FSB963
125 DYLAN	125	2002 →	FDB2119	FSB963
125 PANTHEON	125	1998 → 1999	FDB2073	FSB946
125 PANTHEON	125	2000 →	FDB2075	FSB946
@ 125 NES	125	2000 →	FDB2119	FSB963
@ 125 NES	125	2001 →	FDB382	FSB963
ANF 125 INNOVA	125	2003 → 2011	FDB2169	FSB704
CA 125 REBEL	125	1995 → 1997	FDB497	FSB709
CA 125 REBEL	125	1998 →	FDB2060	FSB709
CB 125 J	125	1979 →	FDB485	FSB705
CB 125 K1 - K5	125	1972 → 1976		FSB706
CB 125 K6 - S2	125	1976 → 1977		FSB706
CB 125 RS	125	1983 →	FDB250	FSB706
CB 125 T	125	1978 →	FDB485	FSB706
CB 125 T2 - TA - TB	125	1979 →	FDB485	FSB706
CB 125 TDC - TDE - TDJ	125	1983 → 1989	FDB244	FSB706
CB 125 TT	125	1990 →	FDB663	FSB706
CBF 125	125	2011 →	FDB497	
CBF 125 M	125	2009 → 2012	FDB2169	FSB963
CBR 125 R (5 Bolt Front Disc Fitting)	125	2011 → 2013	FDB2169	
CBR 125 R (6 Bolt Front Disc Fixing)	125	2004 → 2010	FDB2169	FDB2143
CBR 150 R	125	2000 → 2003	FDB2169	FDB2143
CD 125 CD	125	1982 →	FSB707	FSB706
CD 125 TC	125	1982 →	FSB707	FSB706
CG 125	125	1985 →	FSB713	FSB704
CG 125 all models	125	1977 → 1984	FSB704	FSB704
CH 125 SPACY	125	1983 → 1997	FSB704	FSB704
CH 125 SPACY	125	1998 →	FDB312	FSB704
CLR 125 CITY FLY	125	2000 →	FDB438	FSB705
CM 125 L	125	1982 →	FSB707	FSB706
CR 125	125	2002 →	FDB892	FDB2139
CR 125 M2 - 3 - 4	125	1976 → 1978	FSB705	FSB705
CR 125 RA	125	1979 → 1981	FSB747	FSB713
CR 125 RB	125	1979 → 1981	FSB747	FSB713
CR 125 RC	125	1982 → 1983	FSB745	FSB745
CR 125 RD	125	1983 → 1984	FSB745	FSB746
CR 125 RE	125	1984 → 1985	FDB382	FSB746
CR 125 RG	125	1986 →	FDB382	FSB757
CR 125 RH - J - K - L	125	1987 → 1994	FDB495	FDB539
CR 125 RS	125	1979 → 1981	FSB747	FSB713
CR 125 RW - RX - RY - R1	125	1996 → 2001	FDB892	FDB539
CR 125 RZ	125	1979 → 1981	FSB747	FSB713
CRE 125 2T /Six Comp	125	2002 →	FDB892	FDB2139
CRE 125 4T Six Racing	125	2011 →	FDB892	FDB2162
CRE 125 SIX Comp.	125	2010 → 2011	FDB2268	FDB2162
CRE Baja HM 125 4T	125	2011 →	FDB497	FDB828
CRE Baja RR HM 125 2T	125	2011 →	FDB2242	
CRE Baja RR HM 125 4T	125	2011 →	FDB2167	FDB828
CRM 125	125	1990 → 1999	FDB495	FDB539
CRM 125 (Italy)	125	1990 → 1999	FDB438	FRP416
CRM 125 2T Derapage Comp.	125	2011 → 2012	FDB2268	FDB2162
CRM 125 4T Derapage Comp.	125	2011 → 2012	FDB2268	FDB2162
CRM 125 Derapage HM 125 4T	125	2011 →	FDB497	FDB828
CT 125 M2	125	1976 → 1978	FSB705	FSB705
CT 125 M3	125	1976 → 1978	FSB705	FSB705
CT 125 M4	125	1976 → 1978	FSB705	FSB705
FES 125 PANTHEON	125	2007 →	FDB2075	FDB531
FS 125 Sonic	125	2003 → 2004	FDB312	FDB2169
MBX 125 RWB	125	1984 → 1986	FDB312	FSB746
MTX 125 R	125	1987 → 1988	FDB438	FSB704
MTX 125 R2F	125	1985 → 1995	FDB382	FSB705
MTX 125 RF	125	1985 → 1995	FDB382	FSB705
MTX 125 RII	125	1989 →	FDB438	FSB704
MTX 125 RWD	125	1983 → 1984	FSB705	FSB705
MTX 125 RWF	125	1985 → 1995	FDB382	FSB705
NH 125 H	125	1983 →	FSB704	FSB704

* It is recommended that in those applications where sintered pads are supplied as Original Equipment, replacement pads should also be of sintered composition.

** To avoid brake imbalance sintered pads fitted in rear calipers should only be used in combination with front calipers containing sintered pads.



CC

FROM → TO



NOTES



NOTES

...HONDA

NH 125 LEAD	125	1983 → 1987	FSB704	FSB704
NH 125 LEAD	125	1988 →		FSB704
NS 125 F all models	125	1985 → 1990	FDB438	FSB704
NSR 125	125	1988 → 1989	FDB438	FSB704
NSR 125 R - F	125	1989 → 1992	FDB438	FRP416
NSR 125 RAIDEN	125	1990 → 1992	FDB438	FRP416
NX 125	125	1988 →	FSB713	FSB705
NX 125 (ITALY)	125	1990 →	FDB438	FSB704
NX 125 TRANSCITY	125	1989 → 1997	FDB495	FSB705
PCX 125	125	2010 →	FDB2256	FSB963
PS 125 i	125	2007 →	FDB2119	FSB963
RS 125 R	125	1988 →	FDB452	
RS 125 R	125	1991 → 1994 (x2)	FDB570	FDB2192
RS 125 R	125	1995 → (x2)	FDB858	FDB250
S-WING 125	125	2009 →	FDB2211	FDB2212
Satelis 125	125	2013 →	FDB2256	
SH 125	125	2000 → 2009	FDB2119	FSB963
SH 125	125	2009 →	FDB2211	FDB2212
SH 125i	125	2013 →	FDB570	FDB2212
TL 125	125	1976 →	FSB705	FSB705
TUR/ML 125 (Brasil)	125	→	FDB625	
VT 125 SHADOW	125	1999 →	FDB631	FSB709
XL 125 K3	125	1979 →	FSB704	FSB705
XL 125 L PARIS DAKAR	125	1989 →	FDB438	FSB705
XL 125 PARIS DAKAR	125	1989 →	FDB438	FSB705
XL 125 R	125	1985 → 1986	FDB382	FSB705
XL 125 R	125	1987 → 1988	FDB438	FSB705
XL 125 R - S	125	1984 →	FSB704	FSB704
XL 125 R PARIS DAKAR	125	1984 →	FDB382	FSB705
XL 125 RC	125	1979 → 1983	FSB705	FSB705
XL 125 SA - B - C - Z - K2	125	1979 → 1983	FSB705	FSB705
XL 125 VARADERO	125	2001 →	FDB631	FDB2143
XLR 125	125	1993 →	FDB892	FDB539
150 PANTHEON	150	1998 → 1999	FDB2073	FSB946
150 PANTHEON	150	2000 → 2002	FDB2075	FSB946
150 PANTHEON	150	2003 →	FDB2075	FDB531
@ 150 NES	150	2000 →	FDB2119	FSB963
CRF 150	150	2003 → 2007	FDB892	FSB705
CRF 150 RB	150	2008 →	FDB661	FDB2139
NSR 150	150	2001 → 2003	FDB631	FDB497
NX 150 (Brasil)	150	→	FDB892	
PS 150i	150	2008 →	FDB2119	FSB963
S-WING 150	150	2008 →	FDB2211	FDB2212
SH 150	150	2000 → 2008	FDB2119	FSB963
SH 150	150	2008 →	FDB2211	FDB2212
SH 150i ABS	150	2013 →	FDB570	FDB2212
CB 175 all models	175	1974 → 1976		FSB749
CD 175 all models	175	1971 → 1978	FSB760	
CD 185 T	185	1978 → 1980	FSB707	FSB706
XL 185 SA	185	1980 → 1984	FSB705	FSB705
XL 185 SB	185	1980 → 1984	FSB705	FSB705
XL 185 SZ	185	1980 → 1984	FSB705	FSB705
CB 200 B - T	200	1977 → 1979		FSB749
CD 200 T	200	1979 → 1980	FSB707	FSB706
CM 200 TA - TB	200	1980 → 1981	FSB707	FSB706
CT 200 E - K	200	1984 → 1989	FSB704	FSB705
CT 200 P	200	1993 → 1999	FSB705	FSB705
CTX 200	200	2003 → 2004	FDB892	FSB705
MTX 200 R	200	1987 →	FDB438	FSB704
MTX 200 RW	200	1985 → 1986	FDB382	FSB705
MTX 200 RWD	200	1983 → 1984	FSB705	FSB705
NX 200 (Brasil)	200	→	FDB892	
STRADA 200 (Brasil)	200	→	FDB625	
TA 200	200	2003 → 2004	FDB2087	FDB2087
TL 200 J	200	→	FSB705	FSB705
TL 200 X	200	→	FSB705	FSB705
TLR 200 EF	200	1984 →	FSB714	FSB714
TRZ 200 (4W)	200	1990 →	FSB945	FSB760
XL 200 R	200	1983 → 1984	FSB705	FSB705
XL 200 R	200	1985 →	FDB438	FSB704
XLR 200 R	200	1993 →	FDB892	FDB539
XR 200 (Brasil)	200	→	FDB892	

* It is recommended that in those applications where sintered pads are supplied as Original Equipment, replacement pads should also be of sintered composition.

** To avoid brake imbalance sintered pads fitted in rear calipers should only be used in combination with front calipers containing sintered pads.



CC

FROM → TO



NOTES



NOTES

...HONDA

XR 200 A - RB - RC - RD	200	1981 → 1983		FSB705		FSB705
XR 200 R	200	1984 → 1991		FSB705		FSB705
CRF 230 F	230	2003 → 2007		FDB892		FSB705
CRF 230 F	230	2008 →		FDB892		FDB539
EASY 230 Enduro /SM	230	2008 →		FDB892		FDB539
SL 230	230	1997 →		FDB892		
AX 1 250	250	1988 →		FDB495		
CB 250	250	1988 → 1991		FDB452		FSB708
CB 250 B4	250	1973 → 1975		FSB943		FSB742
CB 250 FT HORNET	250	1996 → 2001		FDB533		FDB531
CB 250 G - G5	250	1975 →		FDB119		FSB742
CB 250 K3 - K4 - K5	250	1973 → 1975		FSB943		FSB742
CB 250 N	250	1978 → 1982		FDB183		FSB708
CB 250 NA - NB	250	1978 → 1982		FDB183		FSB708
CB 250 NIGHT HAWK	250	1991 → 2001		FDB570		FSB706
CB 250 REBEL	250	1986 →		FDB312		
CB 250 RSA - RSD - RSE	250	1981 → 1984		FDB183		FSB749
CB 250 T-DREAM	250	1978 → 1982		FDB183		FSB708
CB 250 T-SUPERDREAM	250	1978 → 1982		FDB183		FSB708
CBR 250 F	250	2004 →		FDB462		
CBR 250 R	250	2011 →		FDB570		
CBR 250 R - RR	250	1990 → 1994 (x2)		FDB533		FDB531
CBR 250 R ABS	250	2011 →		FDB2196		FDB754
CBR 250 R HURRICANE	250	1986 → 1988 (x2)		FDB462		FDB531
CBX 250 F	250	1995 →		FDB570		
CD 250	250	1988 → 1992 (x2)		FDB663		FSB706
CH 250 ELITE	250	1985 → 1986		FDB382		FSB748
CH 250 ELITE	250	1985 → 1990		FSB713		FSB713
CH 250 SPACY	250	1985 → 1986		FDB382		FSB748
CJ 250 I	250	1977 →		FDB119		FSB742
CL 250 SC	250	1981 →		FSB707		FSB749
CM 250 C	250	1982 →		FSB707		FSB706
CM 250 TB	250	1981 →		FDB183		FSB708
CMX 250 C REBEL	250	1996 → 2000		FDB497		FSB709
CN 250	250	1988 → 1989		FDB382		FSB762
CN 250	250	1990 → 1992		FDB538		FSB762
CN 250	250	1993 → 2000		FDB538		FSB713
CN 250 ELITE	250	1985 → 1986		FDB382		FSB748
CN 250 ELITE	250	1987 → 1990		FSB713		FSB713
CN 250 HELIX	250	1986 → 1987		FDB244		FSB732
CN 250 HELIX-FUSION	250	1992 →		FDB382		FSB748
CR 250	250	1986 →		FDB382		FSB757
CR 250	250	2002 →		FDB892		FDB2139
CR 250 R	250	1987 → 1994		FDB495		FDB539
CR 250 R	250	1996 →		FDB892		FDB539
CR 250 RA	250	1979 → 1980		FSB747		FSB743
CR 250 RB	250	1981 →		FSB744		FSB713
CR 250 RC	250	1982 →		FSB745		FSB713
CR 250 RD	250	1983 →		FSB745		FSB746
CR 250 RE	250	1984 → 1985		FDB382		FSB746
CR 250 RS	250	2000 →		FSB744		FSB750
CR 250 RZ	250	1979 → 1980		FSB747		FSB743
CRE 250 / CRE F250 X/R	250	2002 →		FDB892		FDB2139
CRF 250 LD	250	2013 →		FDB2242		
CRF 250 X / R	250	2004 →		FDB892		FDB2139
CRM 250 R	250	1989 → 1990		FDB495		FDB539
CRM 250 R	250	1991 →		FDB892		FDB539
FE 250 FORESIGHT	250	1997 → 1998		FDB2073		FSB946
FE 250 FORESIGHT	250	1999 →		FDB2075		FDB531
FORZA 250	250	2000 → 2004		FDB2075		FDB754
FORZA 250 / X	250	2005 →		FDB2211		FDB2212
FTR 250	250	1986 →		FDB382		FDB382
JADE 250	250	1991 → (x2)		FDB570		FDB531
JAZZ 250	250	2001 →		FDB2073		FDB2130
MX 250 F	250	1988 →		FDB310		FSB749
NS 250 RF	250	1984 → 1986 (x2)		FDB244		FDB244
NSR 250	250	1986 →		FDB462		FDB244
NSR 250 R	250	1986 → 1987 (x2)		FDB462		FDB244
NSR 250 R - SP	250	1988 → 1993		FDB533		FDB531
NSR 250 R SE-SP	250	1994 →		FDB858		FDB496
NX 250	250	1988 → 1990		FDB495		FSB740
NX 250 DOMINATOR	250	1988 → 1990		FDB495		FSB740

* It is recommended that in those applications where sintered pads are supplied as Original Equipment, replacement pads should also be of sintered composition.

** To avoid brake imbalance sintered pads fitted in rear calipers should only be used in combination with front calipers containing sintered pads.



CC

FROM → TO



NOTES



NOTES

...HONDA

NX 250 DOMINATOR	250	1993	→		FDB892		FSB740
RS 250	250	1993	→	1994 (x2)	FDB858		FDB2192
RS 250 R	250	1991	→	(x2)	FDB533		FDB531
RS 250 R	250	1995	→	(x2)	FDB2008		FDB250
RTL 250 SG	250	1986	→		FSB705		FSB705
RX 250 RE	250	1984	→		FDB382		FSB705
TL 250 F	250	1985	→		FSB705		FSB705
TL 250 KI	250	1979	→		FSB705		FSB705
TSR 250	250	1999	→		FRP408		
VT 250 CR MAGNA	250	1994	→	(x2)	FDB570		
VT 250 F INTEGRA	250	1987	→		FDB462		FSB749
VT 250 F2	250	1982	→		FDB538		FSB749
VT 250 F2	250	1983	→	1984	FDB310		FSB749
VT 250 FZ	250	1982	→	1987	FDB310		FSB749
VT 250 SPADA	250	1988	→		FDB570		FDB531
VTR 250	250	1998	→		FDB570		FDB531
VTR 250 INTERCEPTOR	250	1988	→		FDB310		FSB749
VTZ 250	250	1988	→		FDB452		FSB749
VTZ 250 XELVIS	250	1992	→		FDB570		FDB606
XL 250	250	1990	→		FDB495		FDB539
XL 250	250	1991	→		FDB495		FSB740
XL 250 DEGREE	250	1991	→		FDB892		FSB740
XL 250 K3 - K4	250	1978	→	1979	FSB942		FSB707
XL 250 RC - RH	250	1982	→		FSB713		FSB740
XL 250 S	250	1982	→	1990	FSB707		FSB709
XL 250 S - SZ - SA	250	1978	→	1981	FSB707		FSB740
XLR 250 R	250	1985	→	1988	FDB382		FSB704
XLR 250 R	250	1991	→		FDB892		FDB539
XLR 250 R BAJA	250	1988	→	1990	FDB495		FDB539
XLR 250 R BAJA	250	1991	→		FDB892		FDB539
XLX 250	250	1984	→		FSB713		FSB740
XR 250 L	250	1991	→	1995	FDB892		FDB539
XR 250 R	250	1988	→	1993	FDB495		FDB539
XR 250 R	250	1994	→		FDB892		FDB539
XR 250 RB - RD	250	1981	→	1983	FSB744		FSB740
XR 250 RE - RH	250	1984	→	1987	FDB382		FSB740
XR 250 Z - SZ - SA	250	1979	→	1980	FSB707		FSB740
CRE 260	260	1990	→		FDB495		FDB539
CRE F300 X	300	2008	→		FDB892		FDB2139
SH 300 i / ABS	300	2007	→		FDB2196		FDB2212
CB 350 K4	350		→		FSB943		FSB742
CB 350 SG	350	1986	→	(x2)	FDB462		FSB708
NX 350 SAHARA (Brasil)	350		→		FDB892		
XL 350 R	350	1985	→	1986	FDB382		FSB740
XL 350 RD	350	1983	→		FSB746		FSB705
XLX 350	350	1989	→		FDB382		
XR 350 RE - RD	350	1984	→		FDB382		FSB705
CB 360 G5 all models	360	1975	→		FSB943		FSB742
CJ 360 T all models	360	1978	→		FDB119		FSB742
CB 400 A - HAWK	400	1978	→		FDB183		FSB708
CB 400 F - F1 - F2	400	1975	→	1979	FDB119		FSB742
CB 400 FK (CB-1)	400	1990	→	(x2)	FDB570		FDB531
CB 400 N - NA - NB	400	1978	→	1982 (x2)	FDB182		FSB708
CB 400 N/F	400	1983	→		FDB538		FSB708
CB 400 SUPER FOUR	400	1992	→	(x2)	FDB570		FDB531
CB 400 SUPER FOUR (SF)	400	1999	→	2003 (x2)	FDB2079		FDB2111
CB 400 SUPER FOUR S	400	1997	→	1998 (x2)	FDB2099		FDB531
CB-1 400 F	400	1989	→		FDB570		FDB531
CBR 400 R HURRICANE	400	1986	→	(x2)	FDB462		FDB244
CBR 400 R R	400	1988	→	1993 (x2)	FDB570		FDB531
CBX 400 C	400	1983	→		FDB538		FDB244
CM 400 A	400	1978	→	1981 (x2)	FDB182		FSB708
CM 400 AA	400	1978	→	1981 (x2)	FDB182		FSB708
CM 400 AB-TA	400	1978	→	1981 (x2)	FDB182		FSB708
CM 400 T	400	1978	→	1981 (x2)	FDB182		FSB708
CM 400 TB	400	1978	→	(x2)	FDB182		FSB708
CM 400 TC	400	1978	→	1981 (x2)	FDB182		FSB708
CM 400 TZ	400	1978	→	(x2)	FDB182		FSB708
FL 400 R PILOT (4W)	400	1989	→	1990	FSB925		FDB695
FT 400	400	1982	→		FDB244		FDB244
NS 400 RF - RG	400	1985	→	(x2)	FDB538		FDB244
NTV 400 BROS	400	1988	→		FDB533		FDB531

* It is recommended that in those applications where sintered pads are supplied as Original Equipment, replacement pads should also be of sintered composition.

** To avoid brake imbalance sintered pads fitted in rear calipers should only be used in combination with front calipers containing sintered pads.



CC FROM → TO



NOTES



NOTES

...HONDA

NV 400 CUSTOM	400	1988	→		FDB663		FDB665
NV 400 SP CUSTOM	400	1988	→				FDB244
RVF 400	400	1994	→	(x2)	FDB858		FDB496
SILVERWING 400	400	2006	→		FDB2098		FDB664
SW-T 400	400	2009	→		FDB2196		FDB2212
TRANSALP 400	400	1992	→		FDB452		FDB531
VF 400 F INTEGRA	400	1982	→		FDB538		FDB244
VFR 400 R	400	1986	→ 1987	(x2)	FDB462		FDB244
VFR 400 R	400	1987	→ 1989	(x2)	FDB462		FDB531
VTR 400 R (NC 30)	400	1989	→ 1991	(x2)	FDB533		FDB496
XR 400 R (All Models)	400	1996	→		FDB892		FDB539
XR 400 SUPERMOTARD	400	2000	→		FDB892		FDB539
XR 440 R (DALL'ARA)	440	1999	→		FDB892		FDB539
CB 450 N	450	1985	→	(x2)	FDB183		FSB708
CBX 450 S	450	1987	→	(x2)	FDB462		FSB708
CMX 450 CG REBEL	450	1986	→ 1988		FDB244		FSB708
CR 450 RB - RS	450	1981	→		FSB744		FSB750
CRE F450 R	450	2011	→		FDB892		FDB2139
CRE F450 X/R	450	2008	→		FDB892		FDB2139
CRF 450 R	450	2002	→		FDB892		FDB2139
CRF 450 Rally	450	2013	→		FDB892		
CRF 450 SUPERMOTARD	450	2002	→		FDB892		FDB2139
CRM F 450 / R / X / RR (Magura 4 pistons)	450	2008	→		FDB2244		FDB2139
CR 480 RC	480	1982	→		FSB744		FSB814
CR 480 RD	480	1983	→		FSB745		FSB746
CB 500 K1 - K2 - T	500	1975	→ 1977		FDB119		FSB711
CB 500 R	500	2013	→		FDB570		FDB531
CB 500 R/T	500	1994	→ 1996		FDB570		FSB711
CB 500 S	500	1999	→ 2003	(x2)	FDB2006		FDB2005
CB 500 V	500	1997	→ 2003		FDB2006		FDB2005
CB 500 X	500	2013	→		FDB570		FDB531
CBF 500	500	2004	→		FDB664		FDB754
CBF 500 ABS	500	2004	→ 2007		FDB2196		FDB754
CBR 500	500	1987	→ 1990	(x2)	FDB462		FDB665
CBR 500 R	500	2013	→		FDB570		FDB531
CR 500	500	1986	→		FDB382		FSB757
CR 500 R	500	1987	→ 1992		FDB495		FDB539
CR 500 R	500	1993	→ 1994		FDB892		FDB539
CR 500 R	500	1995	→ 2001		FDB892		FDB539
CR 500 RE - G - H - J	500	1984	→ 1985		FDB382		FSB746
CRE F500 X	500	2009	→		FDB892		FDB2139
CX 500 CA - CB	500	1979	→ 1981	(x2)	FDB182		FSB711
CX 500 CC - EC	500	1982	→	(x2)	FDB244		FDB244
CX 500 T (TURBO)	500	1983	→	(x2)	FDB244		FDB244
FT 500 - C	500	1982	→		FDB244		FDB244
GL 500 DC	500	1982	→	(x2)	FDB244		FSB711
GL 500 SILVER WING INTERSTATE	500	1982	→	(x2)	FDB244		FSB711
NX 500	500	1997	→ 1999		FDB2006		FDB2005
NX 500 DOMINATOR	500	1988	→ 1996		FDB663		FDB531
VF 500 FE - F2E	500	1984	→	(x2)	FDB244		FDB665
VF 500 FF - F2F	500	1984	→	(x2)	FDB244		FDB665
VT 500 CD - FT	500	1982	→		FDB244		FSB708
VT 500 ED - EF - C	500	1983	→		FDB310		FSB708
XBR 500 S - F - G - H	500	1985	→		FDB244		FSB755
XL 500 R - RC	500	1982	→		FSB751		FSB709
XL 500 R PARIS DAKAR	500	1983	→		FSB751		FSB709
XL 500 SA - SB	500	1980	→		FSB743		FSB749
XL 500 SZ	500	1980	→		FSB707		FSB709
XR 500 R	500	1983	→ 1984		FDB382		FSB709
XR 500 R	500	1984	→		FDB382		FSB705
XR 500 R - RB	500	1981	→ 1983		FSB744		FSB709
XR 500 SA - SZ	500	1979	→ 1980		FSB747		FSB709
CB 550 F - F1 - F2	550	1978	→		FDB119		FSB741
CB 550 K3	550	1978	→		FDB119		FSB741
CBX 550 FC - FD - F2C - F2D	550	1982	→ 1984	(x2)	FDB310		FDB310
CB 600 HORNET	600	1998	→ 1999	(x2)	FDB570		FDB754
CB 600 HORNET (Japan)	600	1998	→		FDB2114		FDB754
CB 600 HORNET / S	600	2000	→ 2006	(x2)	FDB570		FDB754
CB 600 HORNET ABS	600	2007	→	(x2)	FDB2196		FDB754
CBF 600 4/A4 / HORNET / Travel	600	2004	→	(x2)	FDB570		FDB754
CBF 600 N / S / ABS	600	2008	→	(x2)	FDB2196		FDB754
CBF 600 S/ABS	600	2011	→	(x2)	FDB664		FDB754

* It is recommended that in those applications where sintered pads are supplied as Original Equipment, replacement pads should also be of sintered composition.

** To avoid brake imbalance sintered pads fitted in rear calipers should only be used in combination with front calipers containing sintered pads.



CC FROM → TO



NOTES



NOTES

...HONDA

CBR 600 F	600	2007	→	(x2)	FDB2079	FDB754
CBR 600 F (Japan)	600	1999	→	2004	(x2) FDB2114	FDB754
CBR 600 F / ABS	600	2011	→	(x2)	FDB664	FDB2221
CBR 600 F/R HURRICANE	600	1987	→	1990	(x2) FDB462	FDB665
CBR 600 F1 / F2 / FS1 / FS2 Sport	600	2001	→	2002	(x2) FDB2079	FDB754
CBR 600 F2	600	1991	→	1994	(x2) FDB2113	FDB754
CBR 600 F3	600	1995	→	1998	(x2) FDB664	FDB754
CBR 600 F4 / F4i Sport	600	1999	→	2004	(x2) FDB2079	FDB754
CBR 600 FX / FY	600	1999	→	2000	(x2) FDB2079	FDB754
CBR 600 RR	600	2003	→	2004	(x2) FDB2079	FDB754
CBR 600 RR	600	2005	→	2006	(x2) FDB2181	FDB754
CBR 600 RR - Racing Applications	600	2005	→	(x2)	FDB2205	FDB754
CBR 600 RR / Lim. Ed. / Fireblade Repsol	600	2007	→	(x2)	FDB2181	FDB2221
NTV 600 BROSS	600	1988	→	1992	FDB533	FDB531
NTV 600 REVERE - HAWK	600	1990	→	1992	FDB570	FDB531
NV 600 C	600	1988	→		FDB663	FSB711
SILVER WING 600	600	2001	→		FDB2075	FDB664
SILVER WING 600 (hand brake)	600	2001	→		FDB250	
SW-T 600 ABS	600	2011	→		FDB2196	FDB570
V LX 600 SHADOW	600	1988	→	1991	(x2) FDB663	FSB711
VT 600 C SHADOW	600	1988	→	1993	FDB663	FSB711
VT 600 C SHADOW	600	1994	→	2003	FDB570	FSB711
XL 600 LD - PARIS DAKAR	600	1983	→	1984	FDB382	FSB709
XL 600 LM-RM-R-V-L	600	1985	→	1990	FDB244	FSB709
XL 600 R - RD - RE	600	1983	→	1984	FDB382	FSB709
XL 600 V TRANSALP	600	1987	→	1990	FDB244	FSB709
XL 600 V TRANSALP	600	1991	→	1993	FDB663	FDB531
XL 600 V TRANSALP	600	1994	→	1996	FDB570	FDB531
XL 600 V TRANSALP	600	1997	→	1999	(x2) FDB892	FDB531
XR 600 L - R	600	1994	→	2002	FDB892	FDB539
XR 600 R	600	1985	→	1987	FDB382	FSB705
XR 600 R	600	1988	→	1990	FDB495	FSB705
XR 600 R	600	1991	→	1993	FDB495	FDB539
CB 650	650		→		FDB310	FDB310
CB 650 A - Z	650	1979	→	1981	FDB183	FSB710
CB 650 B	650	1979	→	1981	(x2) FDB183	FSB710
CB 650 SCC NIGHTHAWK	650	1982	→	(x2)		FSB710
CB 650 SCD	650	1983	→	(x2)	FDB244	FSB711
CBX 650 ED	650	1983	→	(x2)	FDB244	FSB711
CX 650 EC - T	650	1983	→	(x2)	FDB244	FDB244
CX 650 ED	650	1982	→		FDB244	FSB711
CX 650 TD (TURBO) E	650	1983	→	(x2)	FDB244	FDB244
FMX 650	650	2005	→	2006	FDB664	FDB754
FMX 650	650	2007	→		FDB664	FDB531
GL 650 D2TE	650	1983	→	(x2)	FDB244	FSB711
GL 650 DD - ID	650	1983	→	(x2)	FDB244	FSB711
NT 650 DEAUVILLE	650	2002	→	(x2)	FDB2098	FDB2098
NT 650 HAWK GT	650	1988	→	1990	(x2) FDB570	FDB531
NT 650 V DEAUVILLE	650	1998	→	2001	(x2) FDB2006	FDB531
NTV 650	650	1994	→	1997	(x2) FDB570	FDB531
NTV 650 BROS - I	650	1990	→	1993	(x2) FDB533	FDB531
NTV 650 REVERE	650	1988	→	1993	FDB570	FDB531
NX 650 DOMINATOR	650	1993	→	1994	FDB452	FDB531
NX 650 DOMINATOR	650	1995	→	1997	FDB892	FDB531
NX 650 DOMINATOR	650	1998	→	2002	FDB2006	FDB2005
NX 650 DOMINATOR J - K	650	1988	→	1992	FDB663	FDB531
SLR 650	650	1997	→	1998	FDB2006	FDB2005
VIGOR 650	650	1999	→	2002	FDB2006	FDB2005
XL 650 V TRANSALP	650	2000	→	(x2)	FDB892	FDB531
XR 650 L	650	1993	→	1995	FDB495	FDB539
XR 650 L	650	1996	→		FDB892	FDB539
XR 650 R	650	1999	→		FDB892	FDB539
XRV 650 AFRICA TWIN	650	1988	→	1989	FDB663	FDB531
DEAUVILLE TRAVEL	680	2007	→	(x2)	FDB2196	FDB2073
DN-01 Sports Cruiser	680	2009	→	(x2)	FDB2196	FDB570
NT 700 DEAUVILLE 680 / ABS	680	2006	→		FDB2196	FDB2098
TRANSALP 680	680	2008	→	(x2)	FDB2196	FDB754
CB 700 SC NIGHT HAWK	700	1984	→	(x2)	FDB244	FSB761
NC 700 D Integra	700	2012	→		FDB2196	FDB754
NC 700 S,X (manual gearbox - No ABS)	700	2012	→		FDB664	FDB531
NC 700 SA,XA (manual gearbox - ABS)	700	2012	→		FDB2196	FDB754
NC 700 SD,XD (automatic gearbox - ABS)	700	2012	→		FDB2196	FDB754

* It is recommended that in those applications where sintered pads are supplied as Original Equipment, replacement pads should also be of sintered composition.

** To avoid brake imbalance sintered pads fitted in rear calipers should only be used in combination with front calipers containing sintered pads.



CC

FROM → TO



NOTES



NOTES

...HONDA

VF 700 C MAGNA	700	1984	→	(x2)	FDB244	FSB711
VF 700 C MAGNA	700	1985	→	(x2)	FDB244	FSB761
VF 700 F INTERCEPTOR	700	1984	→	1985	(x2) FDB244	FDB538
VF 700 S SABRE	700	1984	→	(x2)	FDB244	FSB711
VFR 700 F INTERCEPTOR	700	1988	→	(x2)	FDB570	FDB570
VFR 700 F/F2 INTERCEPTOR	700	1986	→	1987	(x2) FDB452	FDB538
VT 700 C SHADOW	700	1984	→	1985	(x2)	FSB711
VT 700 C SHADOW	700	1986	→	(x2)	FDB244	FSB761
VT 700 C SHADOW	700	1987	→	(x2)	FDB244	FSB761
750 BLACK SPIRIT	750	2011	→		FDB664	
750 BLACK WIDOW	750	2001	→		FDB664	FSB761
B 750 EC - ED	750	1982	→	(x2)	FDB244	FDB244
B 750 F2 - F2D	750	1982	→	(x2)	FDB244	FDB244
CB 750 F - F1	750	1976	→	1978	FDB119	FDB134
CB 750 F2 - F3	750	1977	→	(x2)	FDB182	FDB182
CB 750 FA - FB - F2C	750	1980	→	(x2)	FDB182	
CB 750 FZ	750	1979	→	(x2)	FDB182	FDB182
CB 750 K	750	1982	→	(x2)	FDB244	FDB244
CB 750 K1 - K6	750	1971	→	1977		FSB710
CB 750 K7 - K8	750	1978	→		FDB119	FSB710
CB 750 KZ	750	1980	→	(x2)	FDB183	FSB710
CB 750 N SEVEN FIFTY	750	1992	→	2002	(x2) FDB570	FDB754
CB 750 NIGHTHAWK	750	1991	→	(x2)	FDB664	FSB711
CB 750 SC NIGHTHAWK	750	1982	→	1983	(x2) FDB244	FSB710
CBR 750 F	750	1988	→	(x2)	FDB570	FDB570
CBR 750 F HURRICANE	750	1987	→	1988	(x2) FDB663	FDB538
CBR 750 SUPER AERO	750	1988	→	1989	(x2) FDB663	FDB858
CBX 750 FE	750	1983	→	1984	(x2) FDB244	FDB665
MAGNA 750	750	1993	→		FDB570	FSB761
NR 750	750	1992	→	(x2)	FDB533	FDB496
RVF 750 RR (RC 45)	750	1994	→	(x2)	FDB858	FDB496
SHADOW ABS 750	750	2010	→		FDB2196	
VF 750 C	750	1993	→	(x2)	FDB570	FSB711
VF 750 C-SC-CC-F-FC	750	1983	→	(x2)	FDB244	FSB711
VF 750 CH	750	1987	→	1989	(x2) FDB538	FSB711
VF 750 F-FD-FE-MAGNA-SABRE-INT	750	1982	→	(x2)	FDB244	FDB665
VFR 750 C V45 MAGNA	750	1988	→		FDB538	FSB761
VFR 750 F	750	1990	→	1993	(x2) FDB570	FDB664
VFR 750 F	750	1994	→	1997	(x2) FDB570	FDB664
VFR 750 F INTERCEPTOR	750	1986	→	1987	(x2) FDB663	FDB665
VFR 750 F INTERCEPTOR	750	1988	→	1989	(x2) FDB664	FDB664
VFR 750 R (RC-30)	750	1988	→	1993	(x2) FDB533	FDB496
VT 750 AMERICAN CLASSIC EDITION	750	1998	→		FDB570	FSB761
VT 750 C / C2 SHADOW / SHADOW SPIRIT	750	1997	→		FDB570	FSB761
VT 750 C SHADOW	750	1983	→	1985	FDB244	FSB711
VT 750 C SHADOW	750	1986	→	1996	FDB244	FSB761
VT 750 DCI	750	2001	→	2003	FDB570	FSB761
VT 750 S	750	2012	→		FDB664	
XLV 750 R - RD - RF	750	1984	→	1988	FDB244	FSB755
XRV 750 R AFRICA TWIN	750	1990	→	1993	(x2) FDB462	FDB531
XRV 750 R AFRICA TWIN	750	1994	→	2003	(x2) FDB892	FDB531
CROSSRUNNER	780	2011	→	(x2)	FDB2196	FDB570
PC 800 PACIFIC COAST	800	1989	→	1997	(x2) FDB570	FSB761
VFR 800	800	2006	→	(x2)	FDB2196	FDB2098
VFR 800 FI	800	1998	→	(x2)	FDB2098	FDB2098
VFR 800 FI INTERCEPTOR / INTERCEPTOR ABS	800	2002	→	2005	(x2) FDB2098	FDB2098
VFR 800 XC (Crossrunner)	800	2012	→	(x2)		FDB2253
VT 800 C	800	1988	→		FDB244	FSB761
CB 900 F - FZ - FA	900	1979	→	1981	(x2) FDB182	FDB182
CB 900 F2B - FB	900	1982	→	1983	(x2) FDB244	FDB244
CB 900 FD - FC - F2C - F2D	900	1983	→	1985	(x2) FDB244	FDB244
CB 900 HORNET	900	2002	→	(x2)	FDB533	FDB754
CBR 900 RR-FIREBLADE	900	1992	→	1995	(x2) FDB533	FDB754
CBR 900 RR-FIREBLADE	900	1998	→	1999	(x2) FDB2079	FDB754
CBR 900 RR-FIREBLADE	900	2000	→	2003	(x2) FDB2079	FDB754
CBR 900 RR-FIREBLADE (Japan)	900	1998	→	2003	(x2) FDB2114	FDB754
CBR 929 RR-FIREBLADE	929	2000	→	2001	(x2) FDB2079	FDB754
VFR 950 F CARAT	950	1992	→	(x2)	FDB570	FDB664
CB 1000 R (No ABS)	1000	2009	→	(x2)	FDB2181	FDB2253
CB 1000 SF	1000	1993	→	1997	(x2) FDB533	FDB754
CB 1000 SUPERFOUR (BIG FOUR)	1000	1992	→	(x2)	FDB570	FDB664
CBF 1000	1000	2006	→	(x2)	FDB570	FDB754

* It is recommended that in those applications where sintered pads are supplied as Original Equipment, replacement pads should also be of sintered composition.

** To avoid brake imbalance sintered pads fitted in rear calipers should only be used in combination with front calipers containing sintered pads.



CC FROM → TO



NOTES



NOTES

...HONDA

CBF 1000 / Special Ed. (ABS System)	1000	2006	→	(x2)	FDB2196	FDB2196
CBF 1000 / ST	1000	2011	→	(x2)	FDB2196	FDB754
CBR 1000 BIG ONE	1000	1993	→ 1997	(x2)	FDB533	FDB754
CBR 1000 F	1000	1987	→ 1988	(x2)	FDB452	FDB538
CBR 1000 F	1000	1989	→ 1992	(x2)	FDB570	FDB570
CBR 1000 F-FP	1000	1993	→ 1999	(x2)	FDB2002	FDB2002
CBR 1000 FIREBLADE	1000	2004	→ 2005	(x2)	FDB2181	FDB754
CBR 1000 FIREBLADE - Racing Applications	1000	2004	→	(x2)	FDB2205	FDB754
CBR 1000 FIREBLADE RR / Hansspree Ed.	1000	2006	→	(x2)	FDB2181	FDB2221
CBR 1000 R HURRICANE	1000	1987	→ 1988	(x2)	FDB452	FDB538
CBX 1000	1000	1977	→ 1980	(x2)	FDB182	FDB182
CBX 1000 B - C	1000	1981	→ 1982	(x2)	FDB244	FDB244
GL 1000	1000	1981	→	(x2)	FDB182	FDB182
GL 1000 K1 - 2 - 3	1000	1977	→ 1979	(x2)	FDB182	FDB134
GL 1000 KZ	1000	1977	→ 1979	(x2)	FDB182	FDB134
VF 1000 - 2	1000	1984	→ 1986	(x2)	FDB244	FDB665
VF 1000 BOL D'OR	1000	1984	→ 1986	(x2)	FDB244	FDB665
VF 1000 F - FE	1000	1984	→ 1986	(x2)	FDB244	FDB665
VF 1000 RE - RF	1000	1984	→ 1986	(x2)	FDB244	FDB665
VTR 1000 FV FIRESTORM - SUPERHAWK	1000	1997	→ 2000	(x2)	FDB533	FDB754
VTR 1000 SP-1 (Japan)	1000	2000	→ 2004	(x2)	FDB2114	FDB754
VTR 1000 SP-1 (SP45)	1000	2000	→ 2001	(x2)	FDB2079	FDB754
VTR 1000 SP-2 (R51)	1000	2002	→	(x2)	FDB2079	FDB754
XL 1000 V VARADERO	1000	1999	→ 2003	(x2)	FDB2098	FDB2075
XL 1000 VARADERO A4 (ABS)	1000	2004	→	(x2)	FDB2196	FDB2075
1100 AMERICAN CLASSIC EDITION	1100	1995	→		FDB570	FDB754
CB 1100	1100	2013	→	(x2)	FDB2196	FDB754
CB 1100 FD	1100	1980	→ 1983	(x2)	FDB244	FDB244
CB 1100 HORNET	1100	1999	→ 2000	(x2)	FDB2098	FDB2073
CB 1100 RBI - II	1100	1980	→ 1983	(x2)	FDB244	FDB244
CB 1100 RC	1100	1980	→ 1983	(x2)	FDB538	FDB538
CB 1100 RC ventilated discs	1100	1980	→ 1983	(x2)	FDB538	FDB538
CB 1100 RCII	1100	1980	→ 1983	(x2)	FDB244	FDB244
CBR 1100 XX Superblackbird	1100	1996	→ 1997	(x2)	FDB2073	FDB2075
CBR 1100 XX Superblackbird	1100	1998	→	(x2)	FDB2098	FDB2098
CBX 1100 F	1100	1982	→ 1985	(x2)	FDB538	FDB244
GL 1100	1100	1980	→ 1981	(x2)	FDB182	FDB182
GL 1100 / DX	1100	1982	→	(x2)	FDB244	FDB244
ST 1100 PAN EUROPEAN	1100	1990	→ 2000	(x2)	FDB570	FDB570
ST 1100 PAN EUROPEAN ABS/TCS	1100	1992	→ 1995	(x2)	FDB570	FDB570
ST 1100 PAN EUROPEAN ABS/TCS (Dual brake)	1100	1996	→ 2000	(x2)	FDB2098	FDB2075
VT 1100 C	1100	1985	→ 1993		FDB244	FSB761
VT 1100 C MAGNA	1100	1983	→ 1985	(x2)	FDB244	FDB244
VT 1100 C SHADOW	1100	1994	→		FDB570	FSB761
VT 1100 C2 SHADOW	1100	1995	→	(x2)	FDB570	FDB754
X 11 1100	1100	2000	→ 2002	(x2)	FDB2073	FDB2075
GL 1200 DX all models	1200	1984	→ 1986	(x2)	FDB244	FDB244
VFR 1200 F (Manual Transmission)	1200	2010	→	(x2)	FDB2259	FDB2253
VFR 1200 FD -DCT (Automatic Transmission)	1200	2010	→	(x2)	FDB2259	FDB2253
CROSS TOURER	1250	2012	→	(x2)	FDB2196	FDB754
CB 1300	1300	2001	→	(x2)	FDB2079	FDB754
CB 1300 S	1300	2011	→	(x2)	FDB2196	FDB754
CB 1300 SF	1300	1998	→ 2000	(x2)	FDB2036	FDB2111
CB 1300 X4	1300	1997	→ 2000	(x2)	FDB533	FDB2111
ST 1300 PAN EUROPEAN / ABS	1300	2002	→	(x2)	FDB2098	FDB2098
ST 1300 PAN EUROPEAN / ABS	1300	2008	→	(x2)	FDB2196	FDB2098
VT 1300 CX	1300	2010	→		FDB664	FDB754
VTX 1300 S / C	1300	2003	→		FDB570	FDB754
GL 1500 FC6	1500	1997	→ 1999	(x2)	FDB570	FDB570
GL 1500 GOLD-ASPENCADE	1500	1992	→	(x2)	FDB663	FDB244
GL 1500 SE GOLD WING	1500	1993	→ 2000	(x2)	FDB663	FDB244
GL 1520	1500	1988	→ 1989	(x2)	FDB665	FDB244
GL 1520 / 6 GOLD WING	1500	1988	→ 1991	(x2)	FDB663	FDB665
GL 1800 GOLDWING	1800	2001	→	(x2)	FDB2098	FDB2098
VTX 1800	1800	2001	→	(x2)	FDB2098	FDB2098
GOLDWING F6B	1832	2012	→	(x2)	FDB2098	FDB2098
HONDA ITALIA						
CRE 50 (from frame nr.2819)	50		→		FDB677	FDB828
CRE 50 (up to frame nr.1000)	50		→		FDB499	FDB475
CB 125	125	1979	→			FSB704

* It is recommended that in those applications where sintered pads are supplied as Original Equipment, replacement pads should also be of sintered composition.

** To avoid brake imbalance sintered pads fitted in rear calipers should only be used in combination with front calipers containing sintered pads.



CC FROM → TO



NOTES



NOTES

...HONDA ITALIA

DT 125	125	1987	→	FDB438	FSB704
MTX 125 R	125	1986	→	FDB438	FSB704
MTX 125 RALLY SPORT	125	1988	→	FDB438	FSB704
NS 125 F	125	1985	→	FDB438	FSB704
NS 125 R SUPER SPORT	125	1987	→ (x2)	FDB438	FSB704
NSR 125 R	125	1989	→	FDB438	FRP416
XL 125	125	1979	→	FSB704	FSB704
XL 125 L PARIS DAKAR	125	1985	→	FDB438	FSB704
XL 125 PARIS DAKAR	125	1984	→ 1985	FSB704	FSB704
XL 125 R2	125	1987	→	FDB438	FSB704
XL 200 L	200	1985	→	FDB438	FSB704
XL 200 L PARIS DAKAR	200	1987	→	FDB438	FSB704
XL 200 R	200	1983	→	FSB704	FSB704
XL 200 R PARIS DAKAR	200	1984	→	FSB704	FSB704
XL 200 R2	200	1987	→	FDB438	FSB704

HOREX

REBELL 80 N	80		→	FDB213	
REBELL 80 SPORTL	80		→ (x2)	FDB213	
REBELL 80 T	80		→ (x2)	FDB213	

HRD

RP 80 CROSS	80	1983	→	FSB833	FSB833
FORMULA 125 LS	125	1986	→	FDB694	FDB694
PLATINO 125 SL	125	1986	→	FDB694	FDB694
PLATINO 125 ST	125	1986	→	FDB207	
ROAD 125 ST	125	1986	→	FDB207	
SILVER 125 HOUSE	125	1986	→	FDB694	FDB694

HSC

HSC 01 50	50	1992	→	FDB625	FSB714
SR 50 DIO	50	1992	→	FDB625	FSB714
ZR 50	50	1992	→	FDB625	FSB714
ZX 50 DIO	50	1992	→	FDB625	FSB714

HUSABERG

501 ENDURO	50	1992	→ 1993	FDB499	FDB314
FC 501	50	1998	→	FDB2018	FDB2005
FE 501 S - E	50	1998	→	FDB2018	FDB2005
FE 350 / 450 / 550 / 650 / E	350	1995	→	FDB2018	FDB2005
MC 350	350	1991	→ 1993	FDB499	FDB314
MC 350	350	1994	→	FDB499	FDB2005
FC 400	400	1999	→	FDB2018	FDB2005
FE 400 S - E	400	1998	→	FDB2018	FDB2005
FE 450	450	2003	→ 2006	FDB2018	FDB2005
FE 450 c	450	2006	→	FDB2245	FDB2005
500 all models	500	1991	→ 1992	FDB499	FDB314
500 all models	500	1993	→ 1995	FDB2018	FDB314
500 all models	500	1996	→	FDB2018	FDB2005
FC 350 / 450 / 550	550	1995	→	FDB2018	FDB2005
FE 550 E Strada	550	2008	→	FDB2018	FDB2005
FE 570	570	2009	→	FDB2018	FDB2005
600 ENDURO	600	1992	→ 1993	FDB499	FDB314
EF 600 E (Quad)	600	1998	→	FDB2005	FDB314
FC 600 SUPERMOTARD	600	1998	→	FDB2018	FDB2005
FE 600 S - E - R	600	1998	→	FDB2018	FDB2005
FE 600 SUPERMOTARD	600	2000	→ 2007	FRP408	FDB2005
FE 650 E	650	2006	→ 2008	FDB2018	FDB2005
FS 650 e, c	650	2006	→	FDB2245	FDB2005

HUSQVARNA

CR 50	50	2010	→	FDB2183	FDB2183
SM 50	50	2010	→	FDB2183	FDB2183
WRS 50 (SCOOTER)	50	1998	→ 2000	FRP405	FSB788

* It is recommended that in those applications where sintered pads are supplied as Original Equipment, replacement pads should also be of sintered composition.

** To avoid brake imbalance sintered pads fitted in rear calipers should only be used in combination with front calipers containing sintered pads.



CC

FROM → TO



NOTES



NOTES

...HUSQVARNA

CR 65	65	2010 →	FDB2157	FDB2257
125 ALL MODELS 1992	125	1992 →	FDB497	FDB250
125 ALL MODELS 1993	125	1993 →	FDB497	FDB661
125 ALL MODELS 1994-1995	125	1994 → 1995	FDB2018	FDB2005
CR 125	125	1981 → 1982	FSB850	FSB850
CR 125	125	1983 → 1984	FSB812	FSB850
CR 125	125	1985 → 1995	FDB207	FSB812
CR 125	125	1996 → 2004	FDB2018	FDB2005
CR 125	125	2005 →	FDB2018	FDB2165
CR 125 CROSS	125	1991 → 1995	FDB499	FDB314
ENDURO WR 125	125	2010 →	FDB2018	FDB2165
RC 125	125	1981 → 1982	FSB850	FSB850
RC 125	125	1983 → 1984	FSB812	FSB850
SM 125 S	125	2002 → 2011	FDB2018	FDB2005
SM 125 S (4T)	125	2011 →	FDB2018	FDB2005
SM 125 S SUPERMOTARD	125	1998 → 1999	FDB2018	FDB2005
TE 125	125	2007 → 2010	FDB2018	FDB539
TE 125	125	2011 →	FDB2018	FDB2005
WR 125	125	1983 → 1985	FSB813	FSB850
WR 125	125	1986 →	FDB207	FSB812
WR 125	125	1987 → 1990	FDB499	FSB812
WR 125	125	1991 → 1997	FDB499	FDB314
WR 125	125	1998 → 2005	FDB2018	FDB2005
WR 125 / WRE 125	125	2006 →	FDB2018	FDB2165
WRE 125	125	1983 → 1984	FSB813	FSB850
WRE 125	125	1988 →	FDB499	FSB812
WRE 125	125	1989 → 1994	FDB499	FSB816
WRE 125 / DUAL	125	1994 →	FDB2018	FDB2005
CR 240	240	1981 → 1982	FSB812	FSB850
CR 240	240	1983 → 1986	FSB813	FSB850
CR 240	240	1987 →	FDB499	FSB812
RC 240	240	1981 → 1982	FSB812	FSB850
RC 240	240	1983 →	FSB813	FSB850
WR 240	240	1983 → 1984	FSB813	FSB850
WR 240	240	1985 →	FSB813	FSB812
WR 240	240	1986 →	FDB207	FSB812
WR 240	240	1987 → 1990	FDB499	FSB812
WR 240	240	1991 →	FDB499	FDB314
WRE 240	240	1983 →	FSB813	FSB850
WRK 240	240	1988 →	FDB499	FSB812
250 ALL MODELS 1992	250	1992 →	FDB497	FDB250
250 ALL MODELS 1993	250	1993 →	FDB497	FDB661
250 ALL MODELS 1994-1995	250	1994 → 1995	FDB2018	FDB2005
CR 250	250	1981 → 1982	FSB812	FSB850
CR 250	250	1983 → 1984	FSB813	FSB850
CR 250	250	1985 → 1995	FDB207	FSB812
CR 250	250	1996 →	FDB2018	FDB2005
CR 250 CROSS	250	1991 → 1995	FDB499	FDB314
ENDURO WR 250/300	250	2010 →	FDB2018	FDB2165
RC 250	250	1981 → 1982	FSB812	FSB850
RC 250	250	1983 →	FSB813	FSB850
SMS 250	250	2011 →	FDB2018	FDB2005
TC / TE 250	250	2002 → 2005	FDB2018	FDB2005
TC / TE 250	250	2006 →	FDB2018	FDB2165
TC 250 R	250	2013 →	FDB2018	FDB2165
TE 250 R	250	2012 →	FDB2018	FDB2165
WR 250	250	1983 → 1986	FSB813	FSB850
WR 250	250	1987 → 1989	FDB499	FSB812
WR 250	250	1990 →	FDB499	FDB314
WR 250	250	1991 → 1997	FDB499	FDB314
WR 250	250	1998 →	FDB2018	FDB2005
WRE 250	250	1983 →	FSB813	FSB850
XC 250	250	1987 →	FDB499	FSB812
WR 260	260	1991 →	FDB499	FDB314
WRK 260	260	1988 →	FDB499	FSB812
WR 300	300	2009 →	FDB2018	FDB2005
TE 310	310	2009 →	FDB2018	FDB2165
TE 310 R	310	2012 →	FDB2018	FDB2165
TE 350	350	1990 → 1995	FDB499	FDB314
TE 350	350	1996 →	FDB2018	FDB2005
WR 360 ENDURO	360	1998 → 1999	FDB2018	FDB2005
RC 390	390	1978 → 1980	FSB850	FSB850

* It is recommended that in those applications where sintered pads are supplied as Original Equipment, replacement pads should also be of sintered composition.

** To avoid brake imbalance sintered pads fitted in rear calipers should only be used in combination with front calipers containing sintered pads.



CC

FROM → TO



NOTES



NOTES

...HUSQVARNA

TE 400 E DUAL - ENDURO	400	1998 →	FDB2018	FDB2005
WR 400	400	1985 →	FSB813	FSB812
WR 400	400	1986 →	FDB207	FSB812
WR 400	400	1987 →	FDB499	FSB812
TE 410 E	410	2000 →	FDB2018	FDB2005
AE 430	430	1988 →	FDB499	FSB812
AUTO 430	430	1987 →	FDB499	FSB812
CR 430	430	1981 → 1982	FSB812	FSB850
CR 430	430	1987 →	FDB499	FSB812
OR 430	430	1981 → 1982	FSB812	FSB850
RC 430	430	1981 → 1982	FSB812	FSB850
WR 430	430	1981 → 1982	FSB812	FSB850
WR AE 430	430	1987 →	FDB499	FSB812
WRE 430	430	1981 → 1982	FSB812	FSB850
XC 430	430	1981 → 1982	FSB812	FSB850
XC 430	430	1987 →	FDB499	FSB812
SMR 449	449	2011 →	FDB2120	FDB539
TC / TE 449	449	2011 →	FDB2018	FDB2165
ENDURO TE 450/510	450	2010 →	FDB2018	FDB2165
SM 450 R	450	2004 → 2006	FRP408	FDB2005
SM 450 R /RR	450	2007 → 2009	FDB2120	FDB2165
SM 450 RR	450	2010 →	FDB2099	FDB2165
TC / TE 450	450	2003 → 2006	FDB2018	FDB2005
TC / TE 450	450	2007 → 2010	FDB2018	FDB2165
CR 490	490	1983 →	FSB813	FSB850
AE 500	500	1984 →	FSB813	FSB850
CR 500	500	1985 →	FDB207	FSB812
TC 500	500	1984 →	FSB813	FSB850
XC 500	500	1987 →	FDB499	FSB812
510	510	1986 →	FDB207	FSB812
SM 510 R	510	2004 → 2006	FRP408	FDB2005
SM 510 R	510	2007 →	FDB2120	FDB2165
TC / TE 510	510	2004 → 2005	FDB2018	FDB2005
TC / TE 510	510	2006 →	FDB2018	FDB2165
TC 510	510	1988 →	FDB499	FSB812
TE - AC - LC 510	510	1987 →	FDB499	FSB812
TE 510	510	1984 → 1986	FSB813	FSB850
TE 510	510	1990 →	FDB499	FDB314
TX 510	510	1984 →	FSB813	FSB850
SMR 511	511	2011 →	FDB2120	FDB2165
TC 511	511	2011 →	FDB2018	FDB2165
SM 570 R	570	2004 →	FRP408	FDB2005
TE 570	570	2004 →	FDB2018	FDB2005
LT 600 DUAL	600	1998 →	FDB2042	FDB2018
SM 600 SUPERMOTARD	600	1998 →	FDB2042	FDB2005
TE 600	600	1996 →	FDB2018	FDB2005
TE 600 E DUAL - ENDURO	600	1998 →	FDB2018	FDB2005
WRK 600	600	1989 →	FDB499	FSB816
LT 610	610	2000 →	FDB2042	FDB2005
SM 610 / S	610	2000 → 2006	FDB2042	FDB2005
SM 610 R / IE	610	2007 →	FDB2120	FDB2005
TC 610	610	1996 →	FDB2018	FDB2005
TC 610 CROSS	610	1991 →	FDB497	FDB250
TE 610	610	1991 →	FDB497	FDB250
TE 610 E	610	1995 →	FDB2018	FDB2005
TE 610 E SUPERMOTARD	610	2000 →	FDB2042	FDB2005
SM 630 S	630	2010 →	FDB2120	FDB2005
SMR 630	630	2004 → 2006	FRP408	FDB2005
SMR 630	630	2011 →	FDB2120	FDB2005
TE 630	630	2010 →	FDB2018	FDB2005
BAJA	650	2013 →	FDB2006	FDB2005
Moab	650	2012 →	FDB2006	FDB2005
SMR 650	650	2007 →	FDB2123	FDB2005
STR 650	650	2007 →	FDB2120	FDB2005
TR 650 strada	650	2012 →	FDB2006	FDB2005
TR 650 terra	650	2012 →	FDB2006	FDB2005
NUDA 900	900	2012 → (x2)	FDB2260	FDB2005
NUDA 900 ABS	900	2013 → (x2)	FDB2260	FDB2005
NUDA 900 R	900	2012 → (x2)	FDB2099	FDB2005
NUDA 900 R ABS	900	2013 → (x2)	FDB2099	FDB2005

* It is recommended that in those applications where sintered pads are supplied as Original Equipment, replacement pads should also be of sintered composition.

** To avoid brake imbalance sintered pads fitted in rear calipers should only be used in combination with front calipers containing sintered pads.



CC FROM → TO



NOTES



NOTES

HYOSUNG

Electric GEM 4.0		2010	→		FDB631		FDB631
AVANTI 50	50	1999	→		FDB313		
RUSH 50	50	1997	→		FDB313		
SENSE 50	50	1998	→		FDB313		
SF 50 / RALLY / RACING	50	1999	→		FDB313		
SUPER CAB 50	50	1995	→ 1997		FDB313		
SUPER CAB 50 PLUS	50	1998	→		FDB313		
CAB 100	100	1998	→		FDB313		
KR 110 MASTER	110	2004	→		FDB313		FSB722
MIDAS 110 PLUS	110	1998	→		FDB313		
COMET 125 / GT 125R	125	2004	→		FDB312		FDB312
GRAND PRIX 125	125	1998	→		FDB680		
GV 125 AQUILA	125	2001	→		FDB312		FSB776
HYPER 125	125	1999	→		FDB680		
KARION RT 125 D	125	2002	→		FDB312		FSB776
MS3 125	125	2006	→		FDB497		
MS3 125	125	2006	→		FDB631		FDB631
RX 125	125	2001	→ 2007		FDB312		FSB721
RX 125 SM	125	2007	→		FDB312		FDB312
V2 125	125	1999	→		FDB570		
XRX 125 OFFROAD	125	1999	→		FDB312		FSB776
GRAND PRIX 150	150	1998	→		FDB680		
COMET 250 / GT 250R	250	2004	→ (x2)		FDB312		FDB312
GV 250 AQUILA	250	2001	→		FDB312		FSB776
MS3 250	250	2006	→		FDB497		
MS3 250	250	2006	→		FDB631		FDB631
GA 300	300	1998	→		FDB339		
COMET GT 650	650	2006	→ 2009 (x2)		FDB312		FDB312
COMET GT 650 / R	650	2010	→ (x2)		FDB2178		FDB312
COMET GT 650R	650	2004	→ 2009 (x2)		FDB312		FDB312
GT 650 R / S	650	2004	→ (x2)		FDB312		FDB312
GV 650	650	2004	→ 2005		FDB312		FDB2156
GV 650 AQUILA	650	2006	→ (x2)		FDB312		FDB312
AQUILA GV 700	700	2010	→		FDB2178		FDB312
GV 1000	1000	2004	→		FDB312		FDB2156

INDIAN

CHIEF / SPIRIT / SCOUT All Models		2003	→		FDB2040		FDB2040
-----------------------------------	--	------	---	--	---------	--	---------

INNOCENTI

LAMBRETTA J 50	50		→		FSB840		FSB840
LAMBRETTA J 100	100		→		FSB842		FSB842
LAMBRETTA 125 DL	125		→		FSB843		FSB843
LAMBRETTA 125 LI	125		→		FSB839		FSB839
LAMBRETTA J 125	125		→		FSB842		FSB842
LAMBRETTA 150 DL	150		→		FSB843		FSB843
LAMBRETTA 150 LI	150		→		FSB839		FSB839
LAMBRETTA 175 LI	175		→		FSB839		FSB839
LAMBRETTA 175 TV II	175		→		FSB839		FSB839
LAMBRETTA 200 DL	200		→		FSB843		FSB843

ITALJET

ADLY 50	50	1990	→ 1995				FSB731
BAZOOKA 1 50	50	1991	→		FSB914		FSB862
BAZOOKA 2 50	50	1992	→ 1997		FDB636		FSB862
CRUISE 50	50	1995	→ 1998		FDB636		
DRAGSTER 50	50	1998	→ 2003		FRP405		FRP405
FORMULA 50	50	1994	→ 1996		FDB784		FDB680
FORMULA 50	50	1997	→ 2003		FRP405		FRP405
PISTA 2 50	50	1992	→ 1996		FDB636		FSB862
REPORTER 50	50	1990	→ 1993		FSB914		FSB862
RG 50	50	1998	→		FRP405		
SCOOP 50	50	1993	→		FDB636		FSB862
SHOPPING 50	50	1990	→		FSB910		FSB889
T 50	50		→		FSB837		FSB837
TORPEDO 50	50	1997	→		FRP405		FSB777
VELOCIFERO 50	50	1994	→ 2002		FSB762		FSB777

* It is recommended that in those applications where sintered pads are supplied as Original Equipment, replacement pads should also be of sintered composition.

** To avoid brake imbalance sintered pads fitted in rear calipers should only be used in combination with front calipers containing sintered pads.



CC FROM → TO



NOTES



NOTES

...ITALJET

YANKEE 8 50	50	1994	→	FDB636	FSB862
FORMULA 80	80	1994	→	FDB784	FDB680
MILLENIUUM 100	100	2000	→ 2001	FDB383	FSB947
MILLENIUUM 100	100	2002	→ 2003	FDB2128	FSB947
T 100	100		→	FSB837	FSB837
DRAGSTER 125	125	1999	→	FRP405	
DRAGSTER 125	125	2000	→ 2003	FRP405	FRP405
FORMULA 125	125	1994	→ 1996	FDB784	FDB680
FORMULA 125	125	1997	→ 2003	FRP405	FRP405
JET SET 125	125	2002	→ 2003	FDB2128	
JUPITER 125	125	2001	→	FDB2003	FDB2083
JUPITER 125 / 150 / 250	125	2002	→ 2003	FDB2003	FDB2147
MILLENIUUM 125	125	2000	→ 2001	FDB383	FSB947
MILLENIUUM 125	125	2001	→ 2003	FDB2128	FSB947
RANGER 125	125	1985	→	FSB837	FSB837
SKIPPER 125	125	1985	→	FSB837	FSB837
T 125	125		→	FSB837	FSB837
TORPEDO 125	125	1999	→ 2003	FRP405	
TWIN 125	125	1998	→ 2000	FRP405	FRP405
JET SET 150	150	2002	→ 2003	FDB2128	
MILLENIUUM 150	150	2000	→ 2001	FDB383	FSB947
MILLENIUUM 150	150	2001	→ 2003	FDB2128	FSB947
DRAGSTER 180	180	1999	→	FRP405	
DRAGSTER 180	180	2000	→ 2003	FRP405	FRP405
JUPITER 250	250	2001	→	FDB2003	FDB2083
JUPITER 250	250	2002	→	FDB2003	FDB2147
T 250	250		→	FSB837	FSB837
T 250 PIUMA	250	1985	→	FSB837	FSB837
BOSS 350 4 T	350		→	FSB837	FSB837
BOSS 350 ENDURO	350		→	FDB207	FSB837
CUSTOM 350	350	1985	→	FSB837	
CX 350	350	1985	→	FDB207	FSB837
EXPLORER 350	350	1985	→	FSB837	FSB837
H&H 350 2 T	350		→	FSB837	FSB837
ROAD MASTER 350	350		→	FDB207	
SCOTT 350 4 T	350		→	FSB837	FSB837
T 350 PIUMA	350	1985	→	FSB837	FSB837
GRIFON 650	650	2007	→ (x2)	FDB312	
GRIFON 900	900	2001	→	FRP408	

KAWASAKI

AE 50 - A1 - A2	50	1981	→ 1982	FSB722	FSB722
AR 50	50	1981	→ 1995	FDB313	FSB722
KMX 50	50	1988	→	FDB313	FSB722
KSR 50 I/II	50	1990	→ 1991	FDB313	FDB314
KX 60 A1 - A2 - B1/6	60	1985	→ 1991	FSB802	FSB802
KX 60 B9	60	1993	→ 2004	FDB494	
KX 65	65	1999	→	FDB2110	FDB250
KX 65	65	2000	→	FDB2110	FDB250
AE 80 A1 - B1	80	1981	→ 1982	FSB722	FSB722
AR 80	80	1981	→ 1982	FDB313	FSB722
KD 80	80	1988	→ 1990	FDB313	FSB716
KX 80 B1 - B2 - D1 - D2	80	1979	→ 1983	FSB798	FSB798
KX 80 E1	80	1983	→	FSB801	FSB802
KX 80 E2	80	1984	→ 1986	FDB313	FSB802
KX 80 H - K2	80	1987	→ 1987	FDB314	FSB802
KX 80 R3	80	1993	→ 1996	FDB313	FDB381
KX 80 R7-T7-W1/2-Y1/2	80	1997	→ 2000	FDB2080	FDB381
KX 80 S1 - V1	80	1988	→ 1991	FDB313	FDB381
KX 80 S1 - V1	80	1992	→	FDB661	FDB314
KX 85 / 85-2 A1 / B1	85	2001	→	FDB2080	FDB381
KC 100 C1/2/3/4	100	1980	→ 1983	FSB722	FSB722
KE 100 all models	100	1979	→ 1991	FSB722	FSB722
KH 100 A2 - A4	100	1978	→ 1981	FSB721	FSB722
KH 100 G2 - G3	100	1981	→ 1982		FSB722
KH 100 G4	100	1983	→	FDB314	FSB722
KM 100 A4 - A6	100	1978	→ 1981	FSB721	FSB722
KX 100	100	1988	→ 1991	FDB313	FDB381
KX 100 B7 / C1 / C2 / C3	100	1997	→ 2000	FDB2080	FDB381
KLX 110 R	110	2002	→	FSB802	FSB722
KAZER 115 R	115	1998	→ 1999	FDB631	FSB722

* It is recommended that in those applications where sintered pads are supplied as Original Equipment, replacement pads should also be of sintered composition.

** To avoid brake imbalance sintered pads fitted in rear calipers should only be used in combination with front calipers containing sintered pads.



CC

FROM → TO



NOTES



NOTES

...KAWASAKI

AR 125 A1 - LC	125	1982 → 1994	FDB314	FSB721
BN 125 A1/A2 ELIMINATOR	125	1998 → 1999	FDB250	FSB721
BN 125 A3/A4 ELIMINATOR	125	2000 →	FDB2087	FSB721
D-TRACKER 125	125	2010 →	FDB497	
KDX 125 A1	125	1990 → 1994	FDB313	FDB659
KE 125 A4 - A10	125	1976 → 1985	FSB797	FSB721
KH 125 A1 -A3	125	1977 → 1981		FSB716
KH 125 EX	125	1982 → 1983	FDB314	FSB721
KH 125 K1	125	1982 → 1998	FDB250	FSB721
KH 125 K2-4 - L1	125	1982 → 1983	FDB314	FSB721
KLX 125	125	2010 →	FDB497	
KLX 125 A1	125	2003 →	FSB723	FSB723
KLX 125 L	125	2003 →	FDB2133	FSB723
KMX 125	125	1986 → 2001	FDB313	FDB314
KX 125	125	1986 →	FDB314	FDB314
KX 125	125	1989 → 1994	FDB497	FDB659
KX 125	125	1996 → 2002	FDB892	FDB539
KX 125	125	2003 →	FDB892	FDB539
KX 125 A3 - A7	125	1974 → 1980	FSB797	FSB721
KX 125 B1	125	1981 →	FDB313	FSB721
KX 125 B2 - C1	125	1982 → 1985	FDB314	FSB716
KX 125 E2 - D1 - E2	125	1987 → 1988	FDB494	FDB314
KX 125 K2-K4	125	1995 →	FDB892	FDB659
KDX 175 all models	175	1980 → 1982	FSB797	FSB721
KE 175 B1 -B3	175	1976 → 1978	FSB797	FSB797
KE 175 D1 - D5	175	1979 → 1983	FSB797	FSB717
KDX 200 A1 - A2	200	1983 → 1985	FSB717	FSB716
KDX 200 C1	200	1986 → 1988	FDB314	FSB716
KDX 200 E1	200	1989 →	FDB314	FDB659
KDX 200 E6 / H1 - H3	200	1994 → 2003	FDB892	FDB659
KDX 200 SR	200	1990 → 1993	FDB497	FDB659
KMX 200	200	1988 → 1992	FDB313	FDB314
VN 200	200	2007 → (x2)	FDB574	FDB2049
Z 200 A1 - A5	200	1977 → 1982		FSB721
Z 200 A6	200	1983 →	FDB314	FSB721
KDX 220 RA4	220	1997 → 2003	FDB892	FDB659
EL 250 all models	250	1991 → 1994	FDB339	FSB718
EX 250 H1 - H2	250	1990 →	FDB481	FDB314
EX 250 NINJA	250	1986 → 1987	FDB339	FDB339
GPX 250 R NINJA	250	1987 → 1995	FDB481	FDB508
GPZ 250	250	1985 → (x2)	FDB314	FDB339
KDX 250 B1	250	1979 →	FSB799	FSB724
KDX 250 BALIUS	250	1991 → 1993	FDB481	FDB314
KDX 250 ESTRELLA	250	1992 → 1994	FDB314	FDB314
KDX 250 K2-K4	250	1995 →	FDB892	FDB539
KDX 250 SR-D	250	1991 → 1993	FDB497	FDB659
KH 250 B1 - S	250	1977 → 1982	FDB132	FSB793
KL 250 A1 - A2	250	1978 → 1979	FSB799	FSB724
KL 250 A3 - A4	250	1980 → 1984	FSB797	FSB717
KL 250 C1	250	1980 → 1984	FSB797	FSB717
KL 250 SUPER SHERPA	250	2000 →	FDB2080	FDB314
KLE 250 ANHELO	250	1993 → 1999	FDB481	FDB314
KLE 250 ANHELO	250	2000 → 2002	FDB481	FDB2015
KLR 250 all models	250	1984 → 2000	FDB314	FSB717
KLX 250	250	1993 →	FDB497	FDB659
KLX 250	250	1995 → 1997	FDB892	FDB659
KLX 250	250	2000 →	FSB797	FSB721
KLX 250	250	2008 →	FDB497	FDB2162
KLX 250 H1 SUPER SHERPA	250	1998 → 2005	FDB2080	FDB314
KMX 250	250	1989 →	FDB314	FDB314
KR-1 250	250	1988 →	FDB481	FDB508
KR-1 250	250	1989 → (x2)	FDB508	FDB508
KR-1 250 C1 - C3	250	1990 → 1992 (x2)	FDB574	FDB508
KX 250	250	1986 →	FDB314	FDB314
KX 250	250	1989 → 1994	FDB497	FDB659
KX 250	250	1994 → 1995	FDB892	FDB659
KX 250	250	1996 → 2002	FDB892	FDB539
KX 250	250	2003 →	FDB892	FDB539
KX 250 A all models	250	1974 → 1981	FSB799	FSB724
KX 250 B1	250	1982 →	FDB313	FSB721
KX 250 B2 - B3	250	1980 → 1981	FSB799	FSB721
KX 250 C1 - C2	250	1983 → 1985	FDB314	FSB721

* It is recommended that in those applications where sintered pads are supplied as Original Equipment, replacement pads should also be of sintered composition.

** To avoid brake imbalance sintered pads fitted in rear calipers should only be used in combination with front calipers containing sintered pads.



CC

FROM → TO



NOTES



NOTES

...KAWASAKI

KX 250 E1 - F1	250	1987 → 1988	FDB494	FDB314
KX 250 F	250	2004 →	FDB892	FDB2162
LX 250 ELIMINATOR - SE	250	1990 →	FDB339	
NINJA 250R	250	2008 →	FDB2087	FDB2087
S1 250 B	250	1975 →	FSB800	FSB793
Z 250	250	1983 → (x2)	FDB339	FSB718
Z 250 A1 - A2	250	1978 → 1980	FDB132	
Z 250 A3	250	1981 → 1983	FDB298	
Z 250 B1 - B2	250	1980 → 1983	FSB800	FSB718
Z 250 C1 - C2	250	1981 → 1983	FSB800	FSB721
Z 250 G1 - G2	250	1981 → 1983	FSB800	FSB721
Z 250 GP BELT DRIVE	250	1983 → (x2)	FDB339	FSB718
Z 250 J1	250	1981 → 1983	FDB298	
Z 250 LTD	250	1983 →	FSB800	FSB721
ZXR 250	250	1989 → (x2)	FDB508	FDB314
ZZR 250 (EX 250 H)	250	1990 → 1993 (x2)	FDB481	FDB314
KLX 300 R	300	1997 → 2003	FDB892	FDB539
NINJA 300	300	2013 →	FDB2087	FDB2087
GPZ 305 A1	305	1983 → 1996 (x2)	FDB314	FSB718
GPZ 305 B2 - B3	305	1983 → 1996 (x2)	FDB314	FSB718
GPZ 305 BELT DRIVE	305	1983 → 1996 (x2)	FDB314	FSB718
EX 4 400	400	1995 → (x2)	FDB481	FDB314
GPX 400	400	1985 → (x2)	FDB314	FDB339
GPX 400 R	400	1987 → (x2)	FDB508	FDB481
GPX 400 R	400	1988 → (x2)	FDB508	FDB508
GPZ 400	400	1983 → 1984 (x2)	FDB299	FDB298
GPZ 400	400	1985 → 1987 (x2)	FDB314	FDB339
GPZ 400 R	400	1990 → (x2)	FDB508	FDB481
KH 400 A3-5	400	1976 → 1981	FDB132	FSB793
KLE 400	400	1991 →	FDB481	FDB314
KLE 400 VULCAN	400	1990 →	FDB339	
LX 400 ELIMINATOR - SE	400	1990 → (x2)	FDB314	
VN 400 CLASSIC	400	1999 →	FDB2048	FSB719
VN 400 VULCAN	400	1995 →	FDB339	FSB719
XANTUS 400	400	1992 →	FDB508	FDB314
Z 400 F2	400	1985 → 1987 (x2)	FDB314	FDB339
Z 400 G1	400	1979 →	FDB132	FSB718
Z 400 GP (M1)	400	1983 → (x2)	FDB299	FDB298
Z 400 J1 LTD	400	1980 → 1981	FDB132	FSB719
Z 400 J2 - J3	400	1981 → 1983 (x2)	FDB299	FSB719
ZL 400	400	1986 → 1987	FDB339	FSB719
ZL 400 ELIMINATOR	400	1988 → 1992	FDB339	FDB339
ZL 400 ELIMINATOR	400	1993 →	FDB481	FDB339
ZR 400 A1 - F	400	1983 → (x2)	FDB314	FSB718
ZR 400 ZEPHYR	400	1993 → 1995 (x2)	FDB481	FDB2012
ZR 400 ZEPHYR (ZR-C)	400	1989 → 1992 (x2)	FDB481	FDB508
ZRX 400	400	1998 →	FDB873	FDB2012
ZRX 400 (ZR 400 E2)	400	1999 → 2001 (x2)	FDB2124	FDB2012
ZX 4 400	400	1988 →	FDB508	FDB508
ZX 400 C2	400	1985 → (x2)	FDB314	FDB339
ZX 400 L	400	1992 → (x2)	FDB741	FDB338
ZXR 400	400	1991 → (x2)	FDB574	FDB338
ZXR 400	400	1994 → (x2)	FDB481	FDB2012
ZXR 400 (ZX 400L) RR	400	1992 → (x2)	FDB741	FDB338
ZZR 400	400	1990 → 1992 (x2)	FDB574	FDB481
ZZR 400	400	1993 → (x2)	FDB574	FDB2012
KX 420 A1 - A2	420	1980 →	FSB799	FSB724
Z 440 A2 - C1	440	1979 → 1982	FDB132	FSB718
Z 440 C2	440	1981 →	FDB298	FSB718
Z 440 D2 - D4 LTD	440	1979 → 1982	FDB132	FSB718
Z 440 D5 LTD	440	1981 → 1983	FDB298	FSB718
Z 440 H1 - H2	440	1981 → 1983	FDB298	FSB718
KLX 450 R	450	2007 →	FDB892	FDB2162
KX 450 F	450	2006 →	FDB892	FDB2162
LTD450 (EN450 A1-A5)	454	1986 → 1989	FDB339	FSB719
EN 500 all models	500	1990 → 1993	FDB339	FSB719
ER-5 500 (ER)	500	1997 → 2000	FDB481	FSB718
ER-5 500 (ER)	500	2001 →	FDB2048	FSB718
EX 500 all models	500	1987 → 1991	FDB481	FSB718
GPZ 500 S	500	1987 →	FDB339	FSB718
GPZ 500 S	500	1988 →	FDB314	FSB718
GPZ 500 S	500	1989 → 1992 (x2)	FDB314	FDB339

* It is recommended that in those applications where sintered pads are supplied as Original Equipment, replacement pads should also be of sintered composition.

** To avoid brake imbalance sintered pads fitted in rear calipers should only be used in combination with front calipers containing sintered pads.

1040



CC

FROM → TO



NOTES



NOTES

...KAWASAKI

GPZ 500 S	500	1993 →	(x2)	FDB574		FDB481	
GPZ 500 S	500	1994 → 1997	(x2)	FDB481		FDB314	
KH 500 A8	500	1976 →		FDB132		FSB794	
KH 500 H1 -B/D/E	500	1974 → 1975				FSB794	
KLE 500	500	1991 →		FDB481		FDB314	
KR 500 ES	500	1993 →		FDB497		FDB659	
KX 500	500	1986 →		FDB314		FDB314	
KX 500	500	1989 → 1994		FDB497		FDB659	
KX 500	500	1994 → 1995		FDB892		FDB659	
KX 500 A1 - A2	500	1983 → 1985		FDB314		FSB721	
KX 500 C1	500	1987 → 1988		FDB494		FDB314	
KX 500 E8/E9	500	1996 →		FDB892		FDB539	
Z 500 A1 - A3	500	1979 → 1980	(x2)	FDB132		FDB151	
Z 500 B1 - B3	500	1979 → 1980	(x2)	FDB132		FDB151	
Z 500 F	500	1983 →	(x2)	FDB314		FSB718	
ZR 500 A1	500	1983 →	(x2)	FDB314		FSB718	
ZZ-R 500	500	1990 →	(x2)	FDB574		FDB481	
A1 550 LTD	550	1980 →	(x2)	FDB132		FSB719	
Z 550 A1	550	1980 →	(x2)	FDB132		FSB719	
Z 550 A3 - C1 - C2 LTD	550	1980 →	(x2)	FDB299		FSB719	
Z 550 F	550	1983 → 1984	(x2)	FDB314		FSB718	
Z 550 G1 SHAFT	550	1983 →	(x2)	FDB314		FSB719	
Z 550 GP	550	1984 →	(x2)	FDB299		FDB298	
Z 550 GP D1 - H1 - H2	550	1981 → 1983	(x2)	FDB299		FDB298	
Z 550 GT - SPORT	550	1983 →	(x2)	FDB314		FSB719	
ZEPHYR 550	550	1991 →	(x2)	FDB481		FDB508	
ZR 550 A1	550	1983 → 1984	(x2)	FDB314		FSB718	
ZR 550 ZEPHYR	550	1990 → 1992	(x2)	FDB481		FDB508	
ZR 550 ZEPHYR	550	1993 → 1999	(x2)	FDB481		FDB2012	
KLR 570	570	1988 →		FDB314		FSB721	
ZX 6RR (ZX 599 B1)	599	2003 → 2006	(x2)	FDB2164		FDB2012	
ZX 6RR (ZX 599 B1) - Racing Applications	599	2003 → 2006	(x2)	FDB2203		FDB2012	
GPX 600 R (ZX)	600	1988 → 1996	(x2)	FDB481		FDB481	
GPX 600 R WARBIRD	600	1988 → 1996	(x2)	FDB481		FDB481	
GPZ 600 R	600	1985 → 1989	(x2)	FDB339		FDB339	
KLE 600	600	1992 →		FDB481		FDB314	
KLR 600	600	1984 → 1988		FDB314		FSB721	
KLR 600 ELECTRIC STARTER	600	1985 →		FDB314		FSB721	
KLR 600 S	600	1992 →		FDB314		FSB721	
KLX 600 R	600	1993 →		FDB892		FDB659	
ZL 600 A1/A2	600	1985 → 1994		FDB339		FSB719	
ZL 600 B1 ELIMINATOR	600	1995 → 1997		FDB481		FSB719	
ZX 6R 600 D1-D2 (DX 6)	600	1990 → 1993	(x2)	FDB574		FDB481	
ZX 6R 600 NINJA	600	1994 → 1997	(x2)	FDB574		FDB2012	
ZX 6R 600 NINJA	600	1998 → 2001	(x2)	FDB873		FDB2012	
ZX 6R 600 NINJA	600	2007 →	(x2)	FDB2220		FDB2012	
ZX 6R 600 NINJA (Racing Applications)	600	1998 → 2001	(x2)	FDB2144		FDB2012	
ZZR 600	600	1990 → 1992	(x2)	FDB574		FDB481	
ZZR 600	600	1993 →	(x2)	FDB574		FDB2012	
ZX 6R (ZX 636 K1)	636	2003 → 2006	(x2)	FDB2164		FDB2012	
ZX 6R (ZX 636 K1) - Racing Applications	636	2003 → 2006	(x2)	FDB2203		FDB2012	
ZX 6R 636 NINJA	636	2013 →	(x2)	FDB2079		FDB2221	
ER-6 650 F / N (left)	650	2005 →		FDB2048			
ER-6 650 F / N (right)	650	2005 →		FDB2049		FDB2012	
KL 650 TENGAI	650	1989 → 1992		FDB481		FDB314	
KLR 650	650	1987 → 1994		FDB494		FDB314	
KLR 650	650	1995 →		FDB2048		FDB314	
KLR 650	650	2008 → 0000		FDB497		FDB631	
KLX 650 R	650	1993 → 1997		FDB892		FDB659	
VERSYS 650 (left)	650	2007 → 2008		FDB2048		FDB2012	
VERSYS 650 (right)	650	2007 → 2008		FDB2049			
W 650	650	1999 →		FDB2049		FSB718	
Z 650 B1 - B3	650	1979 → 1981		FDB132		FSB719	
Z 650 C1 - C2 - C3	650	1976 → 1977	(x2)	FDB132		FDB181	
Z 650 D2 - D3	650	1978 → 1981	(x2)	FDB132			
Z 650 F1	650	1979 → 1980	(x2)	FDB132		FSB719	
Z 650 F2 - F4	650	1980 → 1983	(x2)	FDB299		FSB719	
Z 650 SR	650	1978 → 1981	(x2)	FDB132			
750 BELT DRIVE	750	1985 → 1987	(x2)	FDB339		FDB339	
750 TURBO	750	1985 → 1987	(x2)	FDB339		FDB339	
750 VULCAN	750	1989 → 1993	(x2)	FDB339		FSB719	
GPX 750 BLACKBIRD	750	1988 → 1989	(x2)	FDB481		FDB481	

* It is recommended that in those applications where sintered pads are supplied as Original Equipment, replacement pads should also be of sintered composition.

** To avoid brake imbalance sintered pads fitted in rear calipers should only be used in combination with front calipers containing sintered pads.



CC

FROM → TO



NOTES



NOTES

...KAWASAKI

GPX 750 WARBIRD	750	1988 → 1989	(x2) FDB481	FDB481
GPZ 750	750	1985 → 1986	(x2) FDB339	FDB339
GPZ 750 R - G2-3	750	1987 →	(x2) FDB481	FDB481
GPZ 750 R1	750	1985 → 1987	(x2) FDB339	FDB339
GT 750	750	1985 → 1996	(x2) FDB299	FDB298
VN 750	750	1988 → 1989	(x2) FDB339	FDB339
VN 750 TWIN	750	1986 → 1987	(x2) FDB339	FSB719
VN 750 VULCAN	750	1990 → 1994	(x2) FDB339	FSB719
Z 750 / Z 750 S	750	2007 →	(x2) FDB570	FDB754
Z 750 / Z 750 S (left)	750	2004 → 2006	FDB2048	FDB2012
Z 750 / Z 750 S (right)	750	2004 → 2006	FDB2049	
Z 750 B1 - B2	750	1977 → 1978	FDB132	FDB132
Z 750 D1	750	1976 → 1978	(x2) FDB132	FDB132
Z 750 E1	750	1980 →	(x2) FDB299	FDB298
Z 750 GP	750	1983 →	(x2) FDB339	FDB339
Z 750 GP R1	750	1982 →	(x2) FDB299	FDB298
Z 750 H1 - H2 LTD	750	1980 →	(x2) FDB299	FDB298
Z 750 L1 - L3	750	1981 →	(x2) FDB299	FDB298
Z 750 LTD TWIN K1	750	1983 →	(x2) FDB298	FSB719
Z 750 P1	750	1981 →	(x2) FDB299	FDB298
Z 750 P2 SHAFT	750	1981 →	(x2) FDB299	FDB298
Z 750 P2 SHAFT GT	750	1981 →	(x2) FDB299	FDB298
Z 750 R	750	2011 →	(x2) FDB2220	FDB754
Z 750 SPORT	750	1984 →	(x2) FDB299	FDB298
Z 750 Y1 LTD	750	1982 →	(x2) FDB299	FSB719
ZR 750	750	1991 → 1995	(x2) FDB481	FDB481
ZR 750 ZEPHYR	750	1991 → 1993	(x2) FDB481	FDB508
ZR 750 ZEPHYR	750	1996 →	FDB2048	FDB481
ZR-7 750 (left)	750	1999 →	FDB2048	FDB2049
ZR-7 750 (right)	750	1999 →	FDB2049	
ZR-7S 750 (left)	750	2001 →	FDB2048	FDB2049
ZR-7S 750 (right)	750	2001 →	FDB2049	
ZX 750 A1	750	1983 → 1985	(x2) FDB339	FDB339
ZX 750 E1 TURBO	750	1983 → 1985	(x2) FDB339	FDB339
ZX 750 F2 NINJA	750	1988 →	(x2) FDB481	FDB481
ZX-7 750 R NINJA	750	1989 → 1995	(x2) FDB574	FDB314
ZX-7 750 R NINJA	750	1996 → 1999	(x2) FDB873	FDB314
ZX-7 750 R NINJA (Racing Applications)	750	1996 → 1999	(x2) FDB2144	FDB314
ZX-7 750 RR NINJA N1	750	1996 → 1999	(x2) FDB2036	FDB2111
ZXR 750	750	1989 → 1990	(x2) FDB574	FDB338
ZXR 750 R	750	1993 → 1995	(x2) FDB574	FDB338
ZXR 750 R STINGER / NINJA	750	1991 → 1992	(x2) FDB574	FDB496
VN 800	800	1995 → 1998	FDB339	FSB719
VN 800 CLASSIC	800	1996 →	FDB2048	FSB719
VN 800 DRIFTER	800	1999 → 2003	FDB2048	FDB2049
VT 800 C	800	1988 → 1990	FDB244	FSB761
W800 SE	800	2012 →	FDB2049	
Z800 (ADS)	800	2013 →	(x2) FDB2158	FDB2258
Z800 ABS (BDS)	800	2013 →	(x2) FDB2158	FDB2258
Z800 E (CDS)	800	2013 →	(x2) FDB570	FDB2258
Z800 E ABS (DDS)	800	2013 →	(x2) FDB2158	FDB2258
VN 850	850	1995 → 1999	FDB339	FSB719
GPZ 900	900	1985 → 1986	(x2) FDB339	FDB339
GPZ 900 R	900	1990 → 1996	(x2) FDB574	FDB481
GPZ 900 R NINJA	900	1984 → 1989	(x2) FDB339	FDB339
KZ 900 B1	900	1976 → 1977	(x2) FDB132	FDB181
VN 900 CLASSIC / CUSTOM /LIGHT TOURER	900	2006 →	FDB2048	FDB2049
X-9 R 900 NINJA	900	1994 → 1995	(x2) FDB574	FDB2012
Z 900 A 4	900	1977 → 1978	(x2) FDB132	FSB795
ZX-9R 900 R NINJA (B1 - B2)	900	1994 → 1995	(x2) FDB574	FDB2012
ZX-9R 900 R NINJA (B1 - B2)	900	1996 → 1997	(x2) FDB873	FDB2012
ZX-9R 900 R NINJA (B1 - B2)	900	1998 → 1999	(x2) FDB873	FDB2012
ZX-9R 900 R NINJA (B3 - B4) (C1 - C2) (E1 - E2)	900	2000 → 2001	(x2) FDB873	FDB2012
ZX-9R 900 R NINJA (Racing Applications)	900	1996 → 1997	(x2) FDB2144	FDB2012
ZX-9R 900 R NINJA (Racing Applications)	900	1998 → 1999	(x2) FDB2144	FDB2012
ZX-9R 900 R NINJA (Racing Applications)	900	2000 → 2001	(x2) FDB2144	FDB2012
ZX-9R 900 R NINJA F1-F2	900	2002 → 2004	(x2) FDB2158	FDB2012
GPX 1000 R	1000	1988 → 1990	(x2) FDB481	FDB481
GPZ 1000 RX - RY	1000	1986 →	(x2) FDB339	FDB339
GTR 1000	1000	1986 → 1993	(x2) FDB339	FDB339
KZ 1000 all models	1000	1982 → 1990	(x2) FDB298	FDB298
KZ 1000 B1/B2 "LTD"	1000	1977 → 1978	(x2) FDB132	FDB181

* It is recommended that in those applications where sintered pads are supplied as Original Equipment, replacement pads should also be of sintered composition.

** To avoid brake imbalance sintered pads fitted in rear calipers should only be used in combination with front calipers containing sintered pads.

1042



CC

FROM → TO



NOTES



NOTES

...KAWASAKI

VERSYS 1000	1000	2012	→	(x2)	FDB574		
VN 1000 VULCAN	1000	1987	→	(x2)	FDB339	FDB339	
Z 1000	1000	2007	→	2009	(x2) FDB2220	FDB754	
Z 1000 (ZR 1000 A1)	1000	2003	→	2006	(x2) FDB2158	FDB2012	
Z 1000 / ABS / SX	1000	2010	→	(x2)	FDB2178	FDB2012	
Z 1000 / SE	1000	2012	→	(x2)	FDB2220	FDB2012	
Z 1000 A1 - A4 - H1 - H2	1000	1974	→	1978	(x2) FDB132	FDB151	
Z 1000 E1 - E2 - SHAFT - ST	1000	1979	→	1981	(x2) FDB220	FDB151	
Z 1000 GTR	1000	1994	→	2003	(x2) FDB481	FDB339	
Z 1000 GTR (ZG 1000)	1000	1986	→	1993	(x2) FDB339	FDB339	
Z 1000 LTD	1000	1981	→	(x2)	FDB299	FDB298	
Z 1000 SX	1000	2012	→	(x2)	FDB2220	FDB2012	
ZL 1000 all models	1000	1987	→	(x2)	FDB339	FDB339	
ZX 1000 ELIMINATOR	1000	1988	→	1990	(x2) FDB481	FDB481	
ZX 1000 RX NINJA - TOMCAT	1000	1988	→	1990	(x2) FDB481	FDB481	
ZX-10R 1000	1000	2004	→	2007	(x2) FDB2164	FDB2012	
ZX-10R 1000	1000	2008	→	2010	(x2) FDB2178	FDB2012	
ZX-10R 1000	1000	2011	→	(x2)	FDB2178	FDB2221	
ZX-10R 1000 - Racing Applications	1000	2004	→	(x2)	FDB2203	FDB2012	
ZX10 1000 TOMCAT B1-3	1000	1988	→	1990	(x2) FDB481	FDB481	
ZZR 1000	1000	1991	→	(x2)	FDB574	FDB481	
GPZ 1100 (left)	1100	1995	→	1997	(x2) FDB2048	FDB2012	
GPZ 1100 (right)	1100	1995	→	1997	(x2) FDB2049		
GPZ 1100 (ZX 1100 A1)	1100	1983	→	1985	(x2) FDB339	FDB339	
GPZ 1100 (ZX 1100 B1-B2)	1100	1982	→	1983	(x2) FDB298	FDB298	
VN 1100	1100	1987	→	(x2)	FDB339	FDB339	
Z 1100 A1/3 - B1/2 - F1	1100	1981	→	1983	(x2) FDB299	FDB298	
Z 1100 GP	1100	1981	→	1983	(x2) FDB299	FDB298	
Z 1100 R1	1100	1984	→	(x2)	FDB339	FDB339	
Z 1100 SPECTRE - LTD	1100	1981	→	1983	(x2) FDB299	FDB299	
Z 1100 ST	1100	1981	→	1983	(x2) FDB299	FDB298	
ZR 1100 C1	1100	1997	→	2000	(x2) FDB873	FDB338	
ZR 1100 ZEPHIR	1100	1997	→	2000	(x2) FDB2048	FDB481	
ZR 1100 ZEPHYR (left)	1100	1996	→	1997	FDB2048	FDB481	
ZR 1100 ZEPHYR (right)	1100	1996	→	1997	FDB2049		
ZR 1100 ZEPHYR (ZR 1100 A)	1100	1992	→	1996	(x2) FDB574	FDB481	
ZRX 1100	1100	1996	→	2000	(x2) FDB2036	FDB338	
ZX 1100	1100	1993	→	(x2)	FDB574	FDB481	
ZX 1100 A1	1100	1983	→	1984	(x2) FDB339	FDB339	
ZZR 1100 GT (ZX 1100 C)	1100	1990	→	1992	(x2) FDB574	FDB481	
ZZR 1100 GT (ZX 1100 D)	1100	1993	→	2001	(x2) FDB574	FDB338	
KZ 1200	1200	1987	→	(x2)	FDB339	FDB339	
ZG 1200	1200	1986	→	1990	(x2) FDB339	FDB339	
ZG 1200 VOYAGER	1200	1986	→	(x2)	FDB339	FDB339	
ZRX 1200 R - S	1200	2000	→	(x2)	FDB481	FDB338	
ZRX 1200 R - S	1200	2001	→	(x2)	FDB873	FDB338	
ZX 12 1200 R	1200	2000	→	2003	(x2) FDB873	FDB338	
ZX 12 1200 R (Racing Applications)	1200	2000	→	2003	(x2) FDB2144	FDB338	
ZX-12R 1200	1200	2004	→	(x2)	FDB2164	FDB338	
ZX-12R 1200 - Racing Applications	1200	2004	→	(x2)	FDB2203	FDB338	
ZZR 1200	1200	2002	→	(x2)	FDB574	FDB338	
KR 1250	1250	1989	→	(x2)	FDB508	FDB508	
Z 1300	1300	1979	→	1983	(x2) FDB220	FDB151	
ZG 1300 DF1	1300	1984	→	1986	(x2) FDB220	FDB151	
1400 GTR	1400	2007	→	2011	(x2) FDB2220	FDB2111	
1400 GTR	1400	2012	→	(x2)	FDB2220	FDB2012	
ZZR 1400	1400	2006	→	(x2)	FDB2220	FDB2111	
MEAN STREAK 1500	1500	2002	→	2003	(x2) FDB873	FDB2049	
VN 1500 all models	1500	1987	→	1993	FDB339	FDB339	
VN 1500 CLASSIC FI	1500	1999	→		FDB2048	FDB2049	
VN 1500 CLASSIC TOURER (left)	1500	1999	→		FDB2048	FDB339	
VN 1500 CLASSIC TOURER (right)	1500	1999	→		FDB2049		
VN 1500 D1/D2 CLASSIC	1500	1996	→	1998	FDB2048	FDB339	
VN 1500 DRIFTER	1500	1999	→	2003	FDB2048	FDB2049	
VN 1600 CLASSIC (left)	1600	2003	→		FDB2048	FDB2049	
VN 1600 CLASSIC (right)	1600	2003	→		FDB2049		
VN 1600 CLASSIC TOURER (left)	1600	2005	→		FDB2048	FDB2049	
VN 1600 CLASSIC TOURER (right)	1600	2005	→		FDB2049		
VN 1600 MEAN STREAK	1600	2004	→	(x2)	FDB873	FDB2049	
VN 1700 Classic Tourer / Classic	1700	2009	→	2009	FDB2048		
VN 1700 Classic Tourer / Classic	1700	2009	→	2009	FDB2049	FDB2049	
VN 1700 Classic Tourer / Custom	1700	2010	→	(x2)	FDB574	FDB2049	

* It is recommended that in those applications where sintered pads are supplied as Original Equipment, replacement pads should also be of sintered composition.

** To avoid brake imbalance sintered pads fitted in rear calipers should only be used in combination with front calipers containing sintered pads.



CC FROM -> TO



NOTES



NOTES

...KAWASAKI

VN 1700 Voyager / Voyager Custom	1700	2009	→	(x2)	FDB574	FDB2049
VN 2000 VULCAN / CLASSIC	2000	2004	→	(x2)	FDB574	FDB2049

KOTIR

RS 50	50	1990	→		FSB731	FSB731
-------	----	------	---	--	--------	--------

KRAM IT

ER 125 RV 3	125	1988	→		FDB499	FDB731
ER 250 RV 3	250		→		FDB499	FDB731
ER 300 RV 3	300	1988	→		FDB499	FDB731

KRAMER

80	80		→		FSB834	FSB834
250	250		→			FSB901

KREIDLER

MUSTANG 125	125	1983	→		FDB205	
-------------	-----	------	---	--	--------	--

KTM

Freeride Electric		2012	→		FDB2262	FDB2257
CHRONO 50 SCOOTER	50	1994	→		FDB498	FSB788
COMET 50 PL-RL-RLW-RS4L-TS	50		→		FDB207	
GO 50 SCOOTER	50	1994	→		FDB697	FSB788
HOBBY-DUO-PRO 50 COMET 40PI-KJ	50		→		FSB814	FSB814
KROSS 50	50	1996	→		FDB680	
MX 50	50	1987	→		FDB207	
RSV 50	50	1986	→		FDB207	
SX 50 ADVENTURE	50	1998	→ 2003		FSB712	FSB712
SX 50 ADVENTURE SENIOR	50	2004	→		FDB2183	FSB712
SX 50 PRO JUNIOR / SENIOR	50	1998	→ 2001		FSB712	FSB712
SX 50 PRO JUNIOR / SENIOR LC	50	2002	→ 2003		FDB2183	FSB712
SX 50 PRO JUNIOR / SENIOR LC	50	2002	→ 2003		FDB2183	FSB712
SX 50 PRO SENIOR LC	50	2004	→		FDB2183	FDB2183
SX 60	60	1998	→ 1999		FRP405	
SX 60 / 65	60	2000	→ 2001		FRP405	FDB694
65 SX	65	2010	→		FDB2157	FDB2157
SX 65	65	2002	→ 2003		FDB2157	FDB694
SX 65	65	2004	→ 2009		FDB2157	FDB2183
L-PL-RL-RS-RSL-BORA 80	80		→		FDB207	FDB207
MX 80 GR - SUPER MINI	80	1986	→		FDB207	FSB816
SX 85	85	2003	→ 2010		FDB2157	FDB2157
SX 85	85	2012	→		FDB2262	FDB2257
SX 85 (17/14")	85	2011	→		FDB2157	FDB2257
125	125	1989	→ 1990		FDB314	FDB314
125	125	2000	→		FSB814	FSB814
125 all models	125	1992	→ 1993		FDB2018	FDB2018
125 DUKE	125	2010	→		FDB2266	FDB2005
125 DUKE ABS	125	2013	→	(x2)	FDB2266	FDB2005
BAJA 125	125	1986	→		FDB207	FSB816
CROSS 125	125	1980	→ 1983		FSB814	FSB814
EXC 125	125	1998	→ 2003		FDB2018	FDB2005
EXC 125	125	2004	→		FDB2018	FDB2165
EXE 125	125	2000	→ 2003		FDB2018	FDB2005
GS 125 ENDURO SPORT	125	1984	→ 1985		FSB816	FSB816
GS 125 XC ENDURO SPORT	125	1986	→ 2000		FDB207	FDB207
GS 125 XC ENDURO SPORT	125	1986	→ 1987		FDB498	FDB498
LC - GS 125 GS	125	1983	→		FSB816	FSB814
LC2 125	125	1998	→		FDB2018	FDB2005
LC2 STING 125	125	1998	→		FRP408	FDB2005
MX 125 CROSS	125	1984	→		FSB816	FSB816
MX 125 CROSS	125	1985	→		FDB207	FSB816
MX 125 CROSS	125	1986	→		FDB207	FDB207
MX 125 VC CROSS	125	1986	→ 1987		FDB498	FDB498
SX 125	125	1996	→ 2002		FDB2018	FDB2005

* It is recommended that in those applications where sintered pads are supplied as Original Equipment, replacement pads should also be of sintered composition.

** To avoid brake imbalance sintered pads fitted in rear calipers should only be used in combination with front calipers containing sintered pads.



CC FROM -> TO



NOTES



NOTES

...KTM

SX 125	125	2003	→		FDB2018		FDB2165
SX 125 / SX-F 125	125	2004	→		FDB2018		FDB2165
175	175	1972	→ 1978		FSB814		FSB814
175	175	1979	→		FSB814		FSB815
200 DUKE ABS	200	2013	→	(x2)	FDB2266		FDB2005
EGS 200	200	1998	→		FDB2018		FDB2005
EXC 200	200	1998	→		FDB2018		FDB2005
SX 200	200	2003	→		FDB2018		FDB2165
250	250	1989	→ 1990		FDB314		FDB314
250 all models	250	1992	→ 1993		FDB2018		FDB2018
250 all models	250	1994	→ 1995		FDB2018		FDB2005
BAJA 250	250	1986	→		FDB207		FSB816
CROSS 250	250	1982	→		FSB815		FSB815
CROSS 250	250	1983	→		FSB817		FSB815
CROSS 250	250	2000	→		FSB814		FSB814
EXC 250	250	1998	→ 2006		FDB2018		FDB2005
EXC 250 /F	250	2007	→		FDB2018		FDB2165
GS 250 ENDURO SPORT	250	1983	→ 1985		FSB816		FSB816
GS 250 XC ENDURO SPORT	250	1986	→ 2000		FDB207		FDB207
GS 250 XC ENDURO SPORT	250	1986	→ 1987		FDB498		FDB498
MX 250	250	2003	→		FDB2018		FDB2165
MX 250 CROSS	250	1984	→		FSB816		FSB816
MX 250 CROSS	250	1985	→		FDB207		FSB816
MX 250 CROSS - DIG.CONTR.	250	1986	→		FDB207		FDB207
MX 250 VC CROSS	250	1986	→ 1987		FDB498		FDB498
Superenduro 250 - S	250	2008	→		FDB2018		FDB2018
SX 250	250	1996	→ 2002		FDB2018		FDB2005
SX 250 /F	250	2003	→		FDB2018		FDB2165
300 all models	300	1994	→ 1995		FDB2018		FDB2005
EXC 300	300	1998	→ 2006		FDB2018		FDB2005
EXC 300 /E	300	2007	→		FDB2018		FDB2165
GS 300 XC ENDURO SPORT	300	1985	→		FSB816		FSB816
GS 300 XC ENDURO SPORT	300	1986	→ 2000		FDB207		FDB207
GS 300 XC ENDURO SPORT	300	1986	→ 1987		FDB498		FDB498
MX 300	300	2004	→		FDB2018		FDB2165
350	350	1989	→ 1990		FDB314		FDB314
350 EXC-F	350	2012	→		FDB2018		FDB2165
350 EXC-F Six Days	350	2012	→		FDB2018		FDB2165
350 SX-F	350	2011	→		FDB2018		FDB2165
350 XC Freeride	350	2012	→		FDB2262		FDB2257
350 XC-F	350	2011	→		FDB2018		FDB2165
350 XCF W	350	2011	→		FDB2018		FDB2165
COUNTRY 350 CROSS E	350	1985	→		FDB207		FSB816
GS 350 4 STROKE	350	1993	→		FDB2018		FDB314
GS 350 ENDURO SPORT	350	1983	→		FDB207		FSB815
SX 380	380	1998	→		FDB2018		FDB2005
390 DUKE ABS	390	2013	→	(x2)	FDB2266		FDB2005
GS 390 ENDURO SPORT	390	1983	→		FDB207		FSB815
EXC 400	400	2006	→		FDB2018		FDB2165
LC4 400 E	400	1998	→		FDB2018		FDB2005
SX 400	400	2000	→		FDB2018		FDB2005
SXC 400	400	1998	→		FDB2018		FDB2005
THE DUKE 400	400	1994	→ 1998		FRP408		FDB314
GS 420 ENDURO SPORT	420	1984	→		FSB816		FSB816
450 SMR	450	2007	→		FDB2244		FDB2165
EXC 450 RACING	450	2004	→		FDB2018		FDB2165
MX 450	450	2003	→		FDB2018		FDB2165
SX 450 /F	450	2003	→		FDB2018		FDB2165
SX 450 SMR	450	2005	→ 2006		FDB2245		FDB2003
MX 495 CROSS	495	1984	→		FSB816		FSB816
MX 495 MC LELEU	495	1982	→ 1983		FDB207		FSB815
500	500	1989	→ 1990		FDB314		FDB314
500 all models	500	1993	→ 1993		FDB2018		FDB2018
500 all models	500	1994	→ 1995		FDB2018		FDB2005
500 CROSS	500	2000	→		FSB817		FSB815
500 EXC	500	2012	→		FDB2018		FDB2165
500 XC-W	500	2012	→		FDB2018		FDB2165
EXC 500	500	1998	→		FDB2018		FDB2005
GS 500 K4 ENDURO	500	1983	→		FDB207		FSB815
MX 500 CROSS	500	1983	→ 1984		FSB816		FSB816
MX 500 CROSS	500	1985	→		FDB207		FSB816
MX 500 CROSS	500	1986	→ 2000		FDB207		FDB207

* It is recommended that in those applications where sintered pads are supplied as Original Equipment, replacement pads should also be of sintered composition.

** To avoid brake imbalance sintered pads fitted in rear calipers should only be used in combination with front calipers containing sintered pads.



CC

FROM → TO



NOTES



NOTES

...KTM

MX 500 CROSS	500	1986 → 1987	FDB498	FDB498
SX / MX 525	525	2003 →	FDB2018	FDB2165
SX 525 SMR	525	2005 →	FDB2245	FDB2003
SXC 540	540	1998 →	FDB2018	FDB2005
GXE 550	550	1986 → 2000	FDB207	FDB207
GXE 550	550	1986 → 1987	FDB498	FDB498
MX 550 LC4	550	1987 →	FDB498	FDB498
560 SMR	560	2007 →	FDB2244	FDB2165
ENDURO 600 all models	600	1986 → 2000	FDB207	FDB207
ENDURO 600 all models	600	1986 → 1987	FDB498	FDB498
GS 600 ENDURO SPORT	600	1984 →	FSB816	FSB816
GS 600 ENDURO SPORT	600	1985 →	FDB207	FSB816
MX 600	600	1992 →	FDB2018	FDB314
SC 600	600	1998 →	FDB2018	FDB2005
XC-XCE 600 CROSS COUNTRY-BAJA	600	1985 →	FDB207	FSB816
ADVENTURE 620 / 625 / 640 R	620	1998 →	FDB2018	FDB2005
LC4 620 COMPETITION	620	1998 →	FDB2018	FDB2005
THE DUKE 620	620	1994 → 1998	FRP408	FDB2005
625 SMC LC4	625	2005 →	FDB2042	FDB2005
DUKE 2 640	640	1998 → 1999	FDB2018	FDB2005
LC4 640 DUKE II	640	2000 →	FDB2042	FDB2005
LC4 640 E	640	1998 →	FDB2018	FDB2005
LC4 640 SUPERMOTO	640	1998 →	FDB2018	FDB2005
SXC 650	650	2004 →	FDB2018	FDB2005
660 SMC	660	2004 →	FDB2042	FDB2005
LC4 660 SUPERMOTO	660	2003 →	FDB2042	FDB2005
690 DUKE	690	2012 → (x2)	FDB2042	FDB2005
690 DUKE R	690	2013 → (x2)	FDB2218	FDB2005
690 Enduro / R	690	2008 →	FDB2006	FDB2005
690 SM	690	2007 →	FDB2042	FDB2005
690 SMR / SMC / DUKE / SupermotoR	690	2008 → (x2)	FDB2120	FDB2005
LC4 690 SUPERMOTO Prestige	690	2007 →	FDB2120	FDB2005
950 R SUPERENDURO	950	2006 → 2008	FDB2006	FDB2018
ADVENTURE 950	950	2003 → (x2)	FDB2006	FDB2018
DUKE 950 / 990 / 990 RC8	950	2003 → (x2)	FDB2120	FDB2005
SUPERMOTO 950	950	2005 → (x2)	FDB2120	FDB2018
990 SMR	990	2010 → (x2)	FDB2260	FDB2039
990 SMR	990	2010 → (x2)	FDB2218	FDB2039
990 SMT	990	2010 → (x2)	FDB2120	FDB2039
990 SUPERDUKE	990	2010 → (x2)	FDB2218	FDB2005
990 SUPERDUKE	990	2010 → (x2)	FDB2260	FDB2005
990 SUPERDUKE /SUPERDUKE R/ SUPERMOTO	990	2005 → 2009 (x2)	FDB2120	FDB2005
ADVENTURE 990 / 990 R	990	2008 → (x2)	FDB2006	FDB2018
1190 RC8	1190	2008 → (x2)	FDB2260	FDB2074
1190 RC8	1190	2008 → (x2)	FDB2218	FDB2074
ADVENTURE 1190	1190	2013 → (x2)	FDB2042	FDB2039
ADVENTURE 1190 R	1190	2013 → (x2)	FDB2042	FDB2039
SUPERDUKE R 1290 PROTO	1190	2013 → (x2)	FDB2218	

KYMCO

ACTIVE 50	50	2005 → 2006	FDB2087	FSB704
ACTIVE 50 SR	50	2008 →	FDB312	FSB704
AGILITY 50	50	2004 → 2008	FDB497	FSB704
AGILITY 50 - R10 / R12	50	2006 → 2008	FDB497	FSB704
AGILITY 50 Basic	50	2007 →	FSB704	FSB704
AGILITY Carry 50	50	2010 →	FDB2096	
AGILITY CITY 50 - 16" (4T/2T)	50	2008 →	FDB2096	FSB704
AGILITY RS Naked 50 2T	50	2010 →	FDB497	FSB704
BET & WIN 50	50	2002 → 2006	FDB2087	FSB704
COBRA 50 / RACER & CROSS	50	1999 → 2006	FDB672	FSB704
CURIO 50	50	1994 →	FDB672	FSB704
CX 50	50	1993 →	FSB704	FSB714
CX 50 SUPER	50	1994 → 1997	FDB672	FSB714
DINK / GRAND DINK 50 / New Dink	50	1997 →	FDB2087	FSB704
DINK 50	50	2010 →	FDB2087	
DJ 50S	50	2010 →	FDB2096	
DJW 50	50	1994 →	FSB704	FSB714
DJX 50	50	1991 → 1992	FSB704	FSB714
DJY 50 / DJY 50 REFINED	50	1993 →	FSB704	FSB714
FILLY 50	50	1998 → 2000	FSB704	FSB704
FILLY LX 50	50	2000 →	FDB497	FSB704

* It is recommended that in those applications where sintered pads are supplied as Original Equipment, replacement pads should also be of sintered composition.

** To avoid brake imbalance sintered pads fitted in rear calipers should only be used in combination with front calipers containing sintered pads.



CC

FROM → TO



NOTES



NOTES

...KYMCO

HEROISM 50	50	1995 → 1997	FDB2191	FSB704
JETIX 50	50	2008 →	FDB312	FDB2087
K 12 50	50	1995 →	FDB672	FSB704
KB 50	50	1994 → 2000	FDB672	FSB704
LIKE 50 2T/4T	50	2008 →	FDB2087	FSB704
MANBOY 50	50	1995 →	FDB2192	FSB704
NEXXON 50	50	2008 →	FDB312	FDB312
PEOPLE / PEOPLE S 50 4T	50	1999 →	FDB2096	FSB958
SCOUT 50	50	1998 →	FDB672	FSB704
SENTO 50	50	2008 →	FDB2087	FSB704
SNIPER 50 DD	50	1994 → 1996	FDB672	FDB2101
SPACER 50	50	1999 →	FDB2087	FSB704
SUPER 8 50 2T	50	2007 →	FDB2096	FSB958
SUPER 9 50	50	1999 → 2000	FDB539	
SUPER 9 50 LC / SUPER 9 S	50	2000 →	FDB2087	FDB2096
TOP BOY 50	50	1997 → 2000	FDB2087	FSB704
TOP BOY 50	50	2000 →	FDB672	FSB704
VISA R	50	2010 →	FDB314	
VITALITY 50 (2T & 4T)	50	2004 → 2006	FDB497	FSB704
YUP 50	50	2001 → 2006	FDB497	
ZK 50 SUPERFEVER	50	1999 →	FDB672	FSB714
ZX 50 FEVER	50	1995 →	FDB672	FSB714
SP 90 YUP	90	1995 →	FDB2192	
COBRA 100 RACER	100	1999 → 2003	FDB497	FSB704
TOP BOY 100	100	1997 →	FDB2087	FSB704
VISA R 110	110	2010 →	FDB314	
LIBERO 111 4T	111	2008 →	FDB2087	FSB704
ACTIV 110 / 125	125	2004 →	FDB2087	FSB704
AGILITY 125	125	2006 → 2008	FDB497	FSB704
AGILITY 125 FAT / RS 125 (4T)	125	2007 →	FDB497	FSB704
AGILITY CITY 125 - 16"	125	2008 →	FDB2096	FDB314
B & W 125 BET & WIN Dinksport	125	2000 →	FDB2087	FDB2087
DINK / GRAND DINK 125 /New Dink	125	1997 →	FDB2087	FDB2087
DINK 125	125	2010 →	FDB2087	FDB2087
DOWNTOWN / SUPERDINK 125 i	125	2008 →	FDB2225	FDB2248
EGO 125	125	2001 → 2003	FDB2087	FDB2087
FREEWAY 125	125	1997 →	FSB704	FSB704
GRAND DINK 125	125	2001 →	FDB2087	FDB2087
HEROISM 125	125	1995 → 1997	FDB2191	FSB704
HIPSTER 125	125	1999 →	FDB2087	FSB755
LIKE 125 4T	125	2008 →	FDB2087	FDB2087
MOVIE 125	125	1998 → 2000	FDB497	FSB958
MOVIE 125 (4T)	125	2001 → 2008	FDB2087	FSB958
MOVIE 125 (4T)	125	2008 →	FDB2226	FSB958
NEXXON 125	125	2007 →	FDB312	FDB312
PEOPLE / PEOPLE S 125	125	1999 → 2005	FDB2096	FSB958
PEOPLE / PEOPLE S 125	125	2006 →	FDB2096	FDB2254
PEOPLE GT 125i	125	2010 →	FDB2105	FDB2254
PULSAR 125	125	2001 → 2006	FDB312	FSB755
QUANNON 125 / NAKED 125	125	2007 →	FDB2087	FDB2087
SECTOR 125	125	1998 → 2001	FDB2087	
SPACER 125	125	1998 →	FDB2087	FDB2087
SPIKE 125	125	2004 →	FDB2087	FDB2087
STRYKER 125	125	2001 → 2006	FDB497	FSB755
SUPER 8 125	125	2008 →	FDB2096	FSB958
VIVIO 125	125	2000 → 2003	FDB497	FSB958
YAGER 125	125	2001 →	FDB2087	FDB2087
ZING 125 / ZING II 125	125	1998 →	FDB2087	FSB755
ZING II 125	125	2010 →	FDB2087	
AGILITY CITY 150	150	2008 →	FDB2096	FDB2087
B & W 150 BET & WIN	150	2000 →	FDB2087	FDB2087
DINK / GRAND DINK 150	150	1997 →	FDB2087	FDB2087
FREEWAY 150	150	1997 →	FSB704	FSB704
HEROISM 150	150	1995 → 1997	FDB2191	FSB704
HIPSTER 150	150	1999 →	FDB2087	FSB755
MOVIE 150	150	2001 →	FDB2087	FSB958
PEOPLE 150	150	1999 →	FDB2096	FSB958
SPACER 150	150	2003 →	FDB2087	FDB2087
STRAIGHT 150	150	2008 →	FDB312	FDB312
STRYKER 150 (Off-Road)	150	2000 → 2006	FDB497	FSB755
YAGER 150	150	2001 →	FDB2087	FSB958
AGILITY CITY 200	200	2010 →	FDB2096	FDB2087

* It is recommended that in those applications where sintered pads are supplied as Original Equipment, replacement pads should also be of sintered composition.

** To avoid brake imbalance sintered pads fitted in rear calipers should only be used in combination with front calipers containing sintered pads.



CC FROM → TO



NOTES



NOTES

...KYMCO

DINK / SPACER / YAGER 200 / New Dink	200	2004	→	FDB2087	FDB2087
DOWNTOWN 200 i	200	2010	→	FDB2225	FDB2248
LIKE 200 i	200	2010	→	FDB497	FDB2087
PEOPLE GT 200i	200	2010	→	FDB2105	FDB2254
PEOPLE S 200	200	2004	→ 2007	FDB2096	FSB958
PEOPLE S 200 i	200	2007	→	FDB2096	FDB2254
B & W 250 BET & WIN	250	2000	→	FDB2087	FDB2087
EGO 250	250	2001	→	FDB2087	FDB2087
GRAND DINK 250	250	2001	→	FDB2141	FDB2140
PEOPLE 250	250	2004	→ 2005	FDB2087	FDB2187
PEOPLE 250 S	250	2006	→ (x2)	FDB2096	FDB2096
PEOPLE 250 S (Left rear caliper)	250	2006	→	FDB2096	FDB2254
VENOX 250	250	2000	→	FDB664	FSB711
XCITING 250	250	2004	→ 2005	FDB570	FDB570
XCITING 250	250	2006	→ (x2)	FDB2225	FDB2254
YUP 250	250	2003	→	FDB2087	FDB2087
DOWNTOWN / SUPERDINK 300 i	300	2008	→	FDB2225	FDB2248
GRAND DINK 300i	300	2010	→	FDB570	FDB2248
PEOPLE GT 300i / ABS	300	2010	→	FDB2105	FDB2254
PEOPLE S300i (Left Rear Caliper)	300	2008	→ (x2)	FDB2225	FDB2254
XCITING 300 Ri	300	2008	→ (x2)	FDB2225	FDB2254
XCITING 300 Ri	300	2010	→ (x2)	FDB2225	FDB2226
XCITING 500	500	2004	→ (x2)	FDB570	FDB570
XCITING 500 / 500i	500	2005	→ (x2)	FDB2225	FDB570
XCITING 500 Ri	500	2010	→ (x2)	FDB2225	FDB2226
MYROAD 700i	700	2008	→ (x2)	FDB2225	FDB2225

LAVERDA

OR 50 ATLAS	50	1987	→	FDB207	FDB207
125	125		→	FDB108	FSB876
125	125	2000	→	FDB207	FSB876
125 (Brembo caliper)	125	1982	→	FDB694	FSB876
125 (Grimeca caliper)	125	1982	→	FDB695	FSB876
GS 125 LESMO	125	1986	→ (x2)	FDB207	FDB207
GS 125 LESMO	125	1990	→	FDB694	FDB694
LB 125 CUSTOM	125		→	FDB694	FSB876
LB 125 STRADA	125		→	FDB694	FSB876
LB 125 UNO	125		→	FDB694	FSB876
PHOENIX 125 / 150 / 200	125	2001	→	FDB2108	FDB2096
350	350	1980	→ (x2)	FDB207	FDB207
ALPINO 500	500	1977	→ (x2)	FDB207	FDB207
PF 500	500	1977	→ (x2)	FDB207	FDB207
RS 500	500	1977	→ (x2)	FDB207	FDB207
SFC 500	500	1977	→ (x2)	FDB108	FDB108
CR 600 CRUISER	600	1987	→	FDB499	
OR 600	600	1986	→	FDB207	FDB592
OR 600 ATLAS	600	1987	→ (x2)	FDB592	
650 (all models)	650	1995	→ 1996 (x2)	FRP408	FDB207
LYNX 650	650	2000	→ (x2)	FRP408	FDB207
GHOST - DIAMANTE 668	668	1997	→ 1998 (x2)	FRP408	FDB207
750 S (all models)	750	1999	→ (x2)	FRP408	FDB207
CUP 750	750	1998	→ (x2)	FRP408	FDB207
DIAMANTE 750	750	1997	→ (x2)	FRP408	FDB207
SF3 750	750	1977	→ (x2)	FDB148	FDB148
TTS 800	800	1999	→ (x2)	FRP408	FDB2074
JOTA 1000	1000	1995	→ (x2)	FRP408	FDB207
RGA 1000	1000		→ (x2)	FDB148	FDB148
RGA 1000 JOTA	1000		→ (x2)	FDB148	FDB148
RGS 1000 CORSA	1000		→ (x2)	FDB148	FDB148
RGS 1000 EXECUTIVE	1000		→ (x2)	FDB148	FDB148
RGS 1000 JOTA	1000	1977	→ (x2)	FDB148	FDB148
SFC 1000	1000	1986	→ (x2)	FDB108	FDB108
SFC 1000	1000	2003	→ (x2)	FDB2120	FDB2074
T.T. 1200	1200	1976	→ (x2)	FDB148	FDB148

LEM

FLASH 50	50	1994	→	FDB828	FSB731
GHIBLI 50	50	1990	→	FSB731	FSB731
R2 / R3	50	2003	→	FDB2183	FDB2183

* It is recommended that in those applications where sintered pads are supplied as Original Equipment, replacement pads should also be of sintered composition.

** To avoid brake imbalance sintered pads fitted in rear calipers should only be used in combination with front calipers containing sintered pads.



CC FROM → TO



NOTES



NOTES

LIFAN

Smart 50/125 125 → FDB2169

LIGIER

NOVA 500 2001 → FDB2153

LINHAI

LH 50 Prince (Scooter) 50 2007 → FDB383

Eggy 125 (Scooter) 125 2007 → FDB383

Monarch 125 T 125 2006 → FDB2003 FDB2083

Monarch 150 T 150 2006 → FDB2003 FDB2083

Main Street 300 (Scooter) 300 2007 → FDB2003 FDB2083

MACAL

50 FLASH 50 1999 → FDB680

TR 50 TROPHY 50 1999 → FDB213

TR 50 TROPHY H²O 50 1999 → FRP405**MAICO**

250 CROSS 250 1986 → FDB404 FDB404

250 CROSS 250 1998 → FDB2018 FDB2005

250 ENDURO 250 1986 → FDB404 FDB404

GM 250 CROSS 250 1984 → FDB207

GME 250 ENDURO 250 1984 → FDB207

GP 250 250 1987 → FDB404 FDB404

GSE 250 ALPHA-E 250 2000 → FSB847 FSB819

LINK 250 250 2000 → FSB847 FSB819

MX 250 TWIN 250 2000 → FSB847 FSB819

400 400 2000 → FSB847 FSB819

GP 400 400 1987 → FDB404 FDB404

MX 490 LINK 490 2000 → FSB847 FSB819

MX 490 TWIN 490 2000 → FSB847 FSB819

500 CROSS 500 1986 → FDB404 FDB404

500 CROSS 500 1998 → FDB2018 FDB2005

500 ENDURO 500 1986 → FDB404 FDB404

GM 500 CROSS 500 1984 → FDB207

GME 500 ENDURO 500 1984 → FDB207

GP 500 500 1987 → FDB404 FDB404

GPE 500 500 1987 → FDB404 FDB404

MALAGUTI

CHOPPER 25 25 2000 → FDB213 FSB902

CHOPPER 40 40 2000 → FDB213 FSB902

CENTRO 50 50 2000 → FSB907 FSB788

CENTRO 50 4T / SL 4T 50 2008 → FDB313 FSB788

CENTRO 50 SL 50 1993 → 1999 FDB697 FSB788

CIAK 50 / CIAK Master 4T 50 50 1999 → FDB680 FSB788

CR1 50 CROSSER 50 1995 → FDB436 FSB941

CR1 50 CROSSER 50 1996 → FRP405 FSB941

DRAKON 50 NKD 50 2005 → FDB2074 FRP405

DRIBBLING 50 (all models) 50 1987 → FSB908 FSB908

DUNE 50 ENDURO 50 1987 → FDB436 FDB436

F 10 50 JETLINE 50 1992 → 1993 FDB828 FSB788

F 10 50 JETLINE /F10 WAP JETLINE 50 1994 → FDB680 FSB788

F 12 50 PHANTOM (liquid cooled) 50 1994 → FDB697 FSB788

F 12 50 PHANTOM (liquid cooled) 50 1995 → 1997 FDB436 FSB788

F 12 50 PHANTOM (liquid cooled) 50 1999 → FDB697 FDB680

F 12 50 PHANTOM Twin disk 50 1998 → (x2) FDB680 FDB680

F 15 50 FIREFOX 50 1996 → 1997 FDB436 FSB788

F 15 50 FIREFOX Twin disk 50 1998 → (x2) FDB697 FDB680

F12 R 50 PHANTOM Ducati 50 2008 → FDB680 FDB680

F12 R PHANTOM 50 2009 → FDB313

FIFTY 50 4 MARCE 50 1987 → FSB907 FSB907

FIFTY 50 FULL (all models) 50 1983 → FDB436 FSB907

FIFTY 50 HF 50 1987 → FSB907 FSB907

* It is recommended that in those applications where sintered pads are supplied as Original Equipment, replacement pads should also be of sintered composition.

** To avoid brake imbalance sintered pads fitted in rear calipers should only be used in combination with front calipers containing sintered pads.



CC FROM → TO



NOTES



NOTES

...MALAGUTI

FIFTY 50 HF	50	2000	→	FDB213	FSB907
FIFTY 50 NL	50	1987	→	FSB907	FSB907
FIFTY 50 RV	50	1987	→	FSB908	FSB908
FIFTY 50 RV VARIATORE / KICK	50	1987	→	FSB908	FSB908
FIFTY 50 TOP	50	1985	→	FDB436	FSB907
FOX 50 CUSTOM	50	1988	→	FSB908	FSB908
GRIZZLY 50 (all models)	50	1987	→	FSB908	FSB908
GRIZZLY 50 RCX / "12"	50	1987	→	FDB213	FSB908
LX 50 SPORT	50	2000	→	FDB213	FSB902
MDX GOLD 50 ENDURO	50	1987	→	FDB697	FSB897
MEX 50 ENDURO	50	1985	→	FDB2081	FSB897
MEX 50 ENDURO	50	1986	→	FDB731	FSB897
MGX 50 ENDURO	50	1987	→	FSB897	FSB897
MLX 50 ENDURO	50	1987	→	FDB697	FSB897
Mopeds 50 (all models)	50	2000	→	FDB436	FSB902
MR4 50 ENDURO	50	1987	→	FDB436	FDB436
RANOCCHIO 50 3 RUOTE	50	1988	→	FSB908	FSB908
RCW 50 RONCO	50	2000	→	FDB213	FSB902
RCX-W 50 ENDURO	50	1983	→	FDB436	FSB803
RGT 50 SPORT	50	1985	→	FDB436	FSB897
RGT 50 STRADA	50	1983	→	FDB436	FSB908
RST 50 SPORT tutti i tipi	50	1987	→	FDB436	FDB436
SAHIB 50 ENDURO	50	1983	→	FDB436	FSB803
VA 50 OLYMPIQUE	50	2000	→	FDB213	FSB902
WC 50 WATERCOOLED	50	2000	→	FDB213	FSB907
XSM 50 SUPERMOTARD	50	2003	→	FDB2106	FRP405
XTM 50 / XSM 50	50	2003	→	FRP405	FRP405
YESTERDAY 50	50	1998	→	FDB680	FSB788
CHOPPER 80	80	2000	→	FDB213	FSB902
MDX 80 ENDURO	80	1984	→	FDB2081	
CIAK 100	100	1999	→ 2003	FDB680	FSB788
F 12 100 PHANTOM	100	1999	→ 2003	FDB680	FDB680
BLOG 125	125	2008	→	FDB497	FDB636
CENTRO 125 ie	125	2007	→	FDB497	FDB636
CIAK 125	125	2001	→	FDB2081	FSB958
F 18 WARRIOR 125	125	2001	→ 2003	FDB680	FDB680
MADISON 125	125	1999	→ 2003	FDB2106	FDB2090
MADISON 3 - 125	125	2006	→	FDB2106	FDB2090
PHANTOM MAX 125	125	2004	→	FDB2106	FDB2090
X3M Enduro 125	125	2008	→	FRP405	FRP405
X3M Motard 125	125	2008	→	FDB2106	FRP405
CIAK 150	150	2001	→	FDB2081	FSB958
F 18 WARRIOR 150	150	2001	→ 2003	FDB680	FDB680
MADISON 150	150	1999	→ 2003	FDB2106	FDB2090
BLOG 160	160	2008	→	FDB497	FDB636
CENTRO 160 ie	160	2008	→	FDB497	FDB383
MADISON 180	180	1999	→ 2003	FDB2106	FDB2090
MADISON S 200	200	2004	→	FDB2106	FDB2090
PHANTOM MAX 200	200	2004	→	FDB2106	FDB2090
MADISON 250	250	1999	→ 2003	FDB2105	FDB2090
MADISON 3 250 RS	250	2004	→	FDB2106	FDB2090
PASSWORD 250	250	2005	→	FDB2106	FDB2090
PHANTOM MAX 250	250	2006	→	FDB2106	FDB2090
MADISON K 400	400	2002	→	FDB2105	FDB2090
SPIDER MAX RS 500/ GT	500	2004	→ (x2)	FDB438	FDB2074

MALANCA

GT 5 50	50		→	FDB213	
ST 54	54		→	FDB213	
E2 C 80 CS	80		→ (x2)	FDB207	FDB207
125	125		→	FDB213	
GTI 125	125		→ (x2)	FDB207	FDB207
MARK 125	125	1985	→	FDB694	FSB898
MARK 125 ENDURO	125		→	FDB207	
OB ONE 125 6M	125	1985	→ (x2)	FDB694	FDB694
OB ONE 125 RACING	125	1985	→ (x2)	FDB694	FDB694

* It is recommended that in those applications where sintered pads are supplied as Original Equipment, replacement pads should also be of sintered composition.

** To avoid brake imbalance sintered pads fitted in rear calipers should only be used in combination with front calipers containing sintered pads.

1050



CC FROM → TO



NOTES



NOTES

MBK

ACTIVE 50	50	1990	→	FSB738	FSB739
ACTIVE 50	50	2000	→	FSB739	FSB739
BOOSTER 50	50	2000	→	FSB738	FSB738
BOOSTER 50 / SPIRIT	50	1996	→	FDB889	FSB738
BOOSTER 50 NEXT GENERATION	50	1996	→ 1998	FDB889	FSB731
BOOSTER 50 R	50	1994	→ 1995	FDB889	FSB738
BOOSTER 50 TRACK	50	1996	→ 1998	FDB889	FSB738
CHAMP 50	50		→	FSB730	FSB730
EVASION 50 (ruote in lega diritte)	50		→	FSB754	FSB754
EVASION 50 (ruote in lega oblique)	50		→	FSB871	FSB871
EVOLIS 50	50	1992	→	FDB889	FSB731
FIZZ 50	50	1994	→	FDB889	FSB738
FLIPPER 50	50	1998	→	FDB680	FSB738
FORTE 50	50	1995	→	FDB889	FSB738
HARDROCK 50 (ruote in lega diritte)	50		→	FSB754	FSB754
HARDROCK 50 (ruote in lega oblique)	50		→	FSB871	FSB871
MAGNUM 50 (ruote in lega diritte)	50		→	FSB754	FSB754
MAGNUM 50 (ruote in lega oblique)	50		→	FSB871	FSB871
NITRO 50	50	1997	→	FDB889	FDB2062
OVETTO 50	50	1997	→	FDB889	FSB731
PASSION 50 (ruote in lega diritte)	50		→	FSB754	FSB754
PASSION 50 (ruote in lega oblique)	50		→	FSB871	FSB871
ROCKET 50	50	1996	→ 1998	FDB889	FSB731
SORRISO 50	50	1992	→ 1996	FSB731	FSB731
STUNT 50	50	2000	→	FDB680	FSB731
TARGET 50	50	1992	→	FDB636	FSB731
X-LIMIT 50	50	1998	→ 2003	FDB697	FSB731
ACTIVE 75	75	1990	→	FSB738	FSB739
ACTIVE 80	80	1990	→	FSB738	FSB739
ACTIVE 80	80	2000	→	FSB739	FSB739
EVOLIS 80	80	1994	→	FDB889	FSB731
BOOSTER 100	100	2000	→ 2002	FDB636	FSB947
NITRO 100	100	2000	→ 2003	FDB680	FSB733
OVETTO 100	100	2000	→ 2002	FDB680	FSB733
DOODO 125	125	2001	→ 2003	FDB2018	FSB947
SKYLINER 01 - 125	125	1998	→ 2000	FDB2018	FSB947
SKYLINER 125 / S.E.	125	2001	→	FDB2018	FDB2074
THUNDER 125	125	2001	→	FDB2018	FDB2074
XC 125 FLAME	125	1998	→	FDB383	FSB731
XC 125 FLAME R	125	1998	→	FDB383	FSB731
YW Z	125	2010	→	FDB2264	
DOODO 150	150	2001	→ 2003	FDB2018	FSB947
SKYLINER 150	150	2000	→ 2002	FDB2018	FSB947
THUNDER 150	150	2001	→ 2002	FDB2018	FDB2074
SKYLINER 180	180	2004	→	FDB2018	FDB2074
SKYLINER 250	250	2000	→ 2002	FDB2003	FDB2083
KILIBRE 300	300	2003	→	FDB2018	FDB2018
SKYLINER 400	400	2004	→	FDB2003	FDB2200

MOBYLETTE

Mopeds 50	50		→	FSB865	FSB866
-----------	----	--	---	--------	--------

MODENAS

KRISS 115	115	1999	→	FDB631	FSB722
KRISS 115	115	2000	→	FSB722	FSB722

MONTESA

All models trial		2001	→		FDB2127
MKS 50	50	1987	→	FDB436	FSB820
COTA 123	123	1983	→	FSB821	FSB820
COTA 123	123	2000	→	FSB820	FSB820
COTA 242	242	1983	→	FSB821	FSB820
RC 248	248		→	FSB857	FSB857
EVASION 260	260	1994	→	FRP405	FRP405
COTA 290	290	2000	→	FSB820	FSB820
COTA 304	304	1987	→	FDB436	FSB820
COTA 309	309	1989	→	FDB2107	FDB207

* It is recommended that in those applications where sintered pads are supplied as Original Equipment, replacement pads should also be of sintered composition.

** To avoid brake imbalance sintered pads fitted in rear calipers should only be used in combination with front calipers containing sintered pads.



CC FROM -> TO



NOTES



NOTES

...MONTESA

COTA 310	310	1990	-	FRP405	FRP405
COTA 314 R	314	1994	-	FRP405	FDB207
COTA 315 R	315	1998	-	FRP405	FDB889
TRIAL 330	330	1985	-	FSB821	FSB820
COTA 335	335	1987	-	FRP405	FRP405
COTA 335	335	1989	-	FDB2107	FDB2107
T 348	348	2000	-	FSB820	FSB820
COTA 349	349	1983	-	FSB821	FSB820
COTA 349	349	2000	-	FSB820	FSB820
H7-S 360	360	-	-	FDB2107	
old models	1500	-	-	FSB851	

MONTESA (HONDA)

MH 123	123	1983	-	FSB821	FSB820
MH 200	200	1983	-	FSB821	FSB820
MH 311 260	260	1992	- 1993	FRP405	FDB207
COTA 310	310	1989	-	FDB2107	FDB207
COTA 310 4T / 4RT	310	2007	-	FDB2109	FDB207
MH 314 R	314	1994	- 1997	FRP405	FDB207
MH 315	315	2001	-	FDB2109	FDB207
MH 315 R	315	1998	- 2000	FRP405	FDB207
MH 349	349	1983	-	FSB821	FSB820

MOTO GUZZI

CHIU' 50	50	1974	- 1976	FSB902	FSB902
CROSS 50	50	1975	- 1976	FSB847	FSB847
CROSS 50	50	1976	- 1982	FSB847	FSB847
DINGO 50 3 V	50	1975	- 1976	FSB902	FSB902
DINGO 50 3M	50	1966	- 1974	FSB902	FSB902
DINGO 50 CROSS	50	1966	- 1974	FSB907	FSB907
DINGO 50 GT	50	1966	- 1974	FSB907	FSB907
DINGO 50 M	50	1969	- 1973	FSB902	FSB902
DINGO 50 MM	50	1975	- 1976	FSB902	FSB902
DINGO 50 SPORT	50	1966	- 1974	FSB907	FSB907
DINGO 50 SUPER	50	1966	- 1974	FSB907	FSB907
DINGO 50 TURISMO	50	1966	- 1974	FSB907	FSB907
MAGNUM 50	50	1975	- 1976	FSB902	FSB902
NIBBIO 50	50	1975	- 1976	FSB847	FSB847
TROTTER 50	50	1966	- 1970	FSB902	FSB902
TROTTER 50 MARK M - V	50	1971	- 1973	FSB902	FSB902
TROTTER 50 SPECIAL M - V	50	1971	- 1973	FSB902	FSB902
TROTTER 50 SUPER	50	1966	- 1970	FSB902	FSB902
2C 125 4T	125	1979	-	FDB207	FSB818
TT 125	125	1985	-	FDB207	FSB911
TURISMO 125	125	1974	- 1981	FDB213	FSB897
TUTTOTERRENO 125	125	1974	- 1981	FSB897	FSB897
STORNELLO 160 (5 speed)	160	1971	- 1974	FSB818	
TS 250	250	1974	- 1975	FDB207	FSB818
TS 250	250	1976	- 1982	FDB207	FDB207
254	254	1977	- 1981		FSB818
GTS 350	350	1974	- 1975		FSB818
GTS 350	350	1974	- 1979	FDB207	FDB207
NEVADA 350	350	1993	- (x2)	FDB207	FDB207
NTX 350	350	1987	-	FDB207	FDB207
NTX 350	350	1990	-	FDB207	FDB108
V 35 350	350	1977	- (x2)	FDB207	FDB207
V 35 350 C	350	1982	- (x2)	FDB207	FDB207
V 35 350 FLORIDA	350	1987	- (x2)	FDB207	FDB207
V 35 350 GT	350	1990	-	FDB108	FDB207
V 35 350 IMOLA	350	1970	- 1983 (x2)	FDB207	FDB207
V 35 350 IMOLA II	350	1984	- (x2)	FDB207	FDB207
V 35 350 TT ENDURO	350	1984	-	FDB207	FDB207
GTS 400	400	1974	- 1979	FDB207	FDB207
V 50 500	500	1977	- 1980	FDB207	FDB207
V 50 500 C	500	1982	-	FDB207	FDB207
V 50 500 III	500	1980	-	FDB207	FDB207
V 50 500 MONZA	500	1980	- 1983	FDB207	FDB207
V 50 500 MONZA II	500	1984	- (x2)	FDB207	FDB207
NTX 650	650	1990	-	FDB207	FDB108

* It is recommended that in those applications where sintered pads are supplied as Original Equipment, replacement pads should also be of sintered composition.

** To avoid brake imbalance sintered pads fitted in rear calipers should only be used in combination with front calipers containing sintered pads.



CC

FROM → TO



NOTES



NOTES

...MOTO GUZZI

V 65 650	650	1981 → 1983	(x2)	FDB207	FDB207
V 65 650 FLORIDA	650	1987 →	(x2)	FDB207	FDB207
V 65 650 GT	650	1990 →		FDB108	FDB207
V 65 650 II ENDURO	650	1984 →		FDB207	FDB207
V 65 650 LARIO	650	1984 →	(x2)	FDB207	FDB207
V 65 650 SP CHOPPER	650	1981 →	(x2)	FDB207	FDB207
VT 650 TT BAJA	650	1986 →		FDB592	FDB207
V 7 700	700	1967 → 1976		FSB880	FSB881
V 7 700 SPECIAL	700	1969 → 1971		FSB796	FSB881
BREVA 750 IE	750	2003 →		FDB2042	FDB2074
NTX 750	750	1990 →		FDB583	FDB108
S 750	750	1974 → 1975	(x2)	FDB108	
S3 750	750	1975 → 1976		FDB108	FDB108
SP 750 NEVADA	750	1992 →		FDB207	FDB207
SP 750 NEVADA CLUB	750	2000 → 2002		FDB207	FDB207
SP 750 NEVADA CLUB / CLASSIC I.E./ Aquila Nera	750	2002 →		FDB2042	FDB2074
T 750	750	1992 → 1994		FDB207	FDB207
V 750 750 SPORT	750	1972 → 1974		FSB796	
V7 Classic / Clubman Race 750	750	2008 →		FDB2042	FDB2074
BREVA V 850	850	2007 →	(x2)	FDB2042	FDB2018
CALIFORNIA 850 GT	850	1972 → 1974		FSB796	
CALIFORNIA 850 T3	850	1975 → 1980	(x2)	FDB108	FDB108
GRISO 850	850	2007 →	(x2)	FDB2042	FDB2018
GT 850	850	1972 → 1974		FSB796	
LE MANS 850	850	1976 →	(x2)	FDB148	FDB148
T 850	850	1974 → 1975		FDB148	FSB796
T3 850	850	1975 → 1979	(x2)	FDB148	FDB148
T4 850	850	1980 → 1983	(x2)	FDB148	FDB148
T5 850	850	1984 →	(x2)	FDB108	FDB108
BELLAGIO 1000 / Aquila Nera	1000	2008 →	(x2)	FDB2006	FDB570
CALIFORNIA (all models)	1000	2001 → 2006	(x2)	FDB2042	FDB2039
CALIFORNIA 1000 II	1000	1981 → 1990	(x2)	FDB108	FDB108
CALIFORNIA 1000 III C	1000	1991 → 1998	(x2)	FDB108	FDB108
CALIFORNIA 1000 EV	1000	1999 → 2001	(x2)	FRP408	FDB2006
CALIFORNIA Classic / Vintage	1000	2007 →	(x2)	FDB2042	FDB2018
CENTAURO 1000	1000	1996 → 1999	(x2)	FRP408	FDB2006
DAYTONA 1000	1000	1991 → 1994	(x2)	FRP408	FDB108
DAYTONA 1000	1000	1995 → 1998	(x2)	FRP408	FDB108
GT V 1000	1000	1991 →	(x2)	FDB108	FDB108
LE MANS - V 1000	1000	1990 →	(x2)	FDB108	FDB108
LE MANS 1000	1000	1984 → 1993	(x2)	FDB108	FDB108
QUOTA 1000	1000	1993 → 1995	(x2)	FDB498	FDB207
SP 1000	1000	1978 → 1983	(x2)	FDB108	FDB204
SP 1000 II	1000	1984 →	(x2)	FDB108	FDB108
SP III 1000	1000	1991 →	(x2)	FDB108	FDB108
V 1000 1000 G5	1000	1978 →	(x2)	FDB148	FDB148
V 1000 1000 I CONVERT	1000	1975 →	(x2)	FDB148	FDB148
LE MANS V 11	1064	2001 →	(x2)	FDB2042	FDB207
BREVA V 1100	1100	2004 →	(x2)	FDB2042	FDB2074
BREVA V 1100 (Std/ABS Models)	1100	2005 → 2007	(x2)	FDB2042	FDB2018
CALIFORNIA 1100	1100	1994 → 1997	(x2)	FDB108	FDB108
CALIFORNIA 1100	1100	1997 → 2001	(x2)	FRP408	FDB2006
CENTAURO 1100 V11 SPORT	1100	1999 → 2000	(x2)	FRP408	FDB2006
GRISO 1100	1100	2005 → 2008	(x2)	FDB2042	FDB2018
QUOTA 1100 ES	1100	1999 → 2001	(x2)	FDB2006	FDB2018
SPORT 1100	1100	1994 → 1999		FRP408	FDB207
1200 GT	1200	2010 →	(x2)	FDB2042	FDB2074
BREVA 1200	1200	2008 → 2009	(x2)	FDB2042	FDB2018
BREVA 1200 SPORT	1200	2008 → 2013	(x2)	FDB2042	FDB2018
CORSARO Avio / Veloce	1200	2010 →	(x2)	FDB2042	FDB2074
GRAN PASSO 1200 / H83	1200	2010 →	(x2)	FDB2006	FDB2018
GRANFERRO 1200	1200	2010 →	(x2)	FDB2260	FDB2018
GRANFERRO 1200	1200	2010 →	(x2)	FDB2218	FDB2018
GRISO SE 1200 8V	1200	2007 → 2013	(x2)	FDB2042	FDB2018
NORGE 1200	1200	2006 → 2008	(x2)	FDB2042	FDB2018
NORGE 1200 GT 8V ABS	1200	2010 →	(x2)	FDB2042	FDB2018
SCRAMBLER 1200	1200	2010 →	(x2)	FDB2006	FDB2018
STELVIO 1200 / 1200 NTX ABS	1200	2008 →	(x2)	FDB2042	FDB2018
V12 LM	1200	2010 →	(x2)	FDB2123	FDB2018
V12 X / Strada	1200	2010 →	(x2)	FDB2260	FDB570
V12 X / Strada	1200	2010 →	(x2)	FDB2218	FDB570
MGS - 01 Corsa	1225	2007 →	(x2)	FDB2120	FDB2074

* It is recommended that in those applications where sintered pads are supplied as Original Equipment, replacement pads should also be of sintered composition.

** To avoid brake imbalance sintered pads fitted in rear calipers should only be used in combination with front calipers containing sintered pads.



CC FROM → TO



NOTES



NOTES

MOTO MORINI

CAMEL 501	50	1987	→		FDB438	FDB207
CAMEL 501	50	2000	→		FDB207	FDB695
COGUARO 501	50	1989	→		FDB529	FDB207
EXCALIBUR 501	50	1986	→ 1986		FDB438	FDB695
EXCALIBUR 501	50	1987	→ 1988		FDB438	FDB207
EXCALIBUR 501	50	1989	→		FDB499	FDB207
NEW YORK 501	50	1989	→		FDB499	FDB207
BLUES 125	125	1993	→		FDB438	FDB207
KJ 125	125	1984	→		FDB695	FSB847
MONOCILINDRO 125	125	1979	→		FDB205	FSB847
BICILINDRO 250	250	1979	→		FDB205	FSB876
MONOCILINDRO 250	250	2000	→		FDB205	FSB876
SPORT 250	250	2000	→		FDB205	FSB847
TURISMO 250	250	2000	→		FDB205	FSB847
COGAURO 350	350	1990	→		FDB499	FDB207
DART 350	350	1988	→ 1989		FDB499	FDB207
DART 350	350	1990	→		FDB529	FDB207
EXCALIBUR 350	350	1986	→ 1989		FDB438	FDB695
EXCALIBUR RLX 350	350	1990	→		FDB499	FDB207
GT 350	350	1976	→ 1981		FDB205	FSB853
GT 350	350	1979	→		FDB205	FSB876
GT 350 TURISMO	350	1980	→		FDB205	FSB876
K2 350	350	1984	→		FDB696	FDB695
KANGURO 350	350	1984	→		FDB695	FSB852
KANGURO 350	350	1987	→		FDB438	FDB207
KANGURO 350	350	2000	→		FSB901	FSB852
NEW YORK 350	350	1989	→		FDB499	FDB207
SPORT 350	350	1980	→		FDB205	FSB876
SPORT 350	350	1981	→		FDB205	FSB853
SPORT 350	350	1982	→		FDB695	FDB695
SPORT 350	350	2000	→		FDB205	FDB205
WS 350 PRO ACTION	350	1993	→		FDB592	FDB207
XE 350	350	1985	→		FDB695	FSB852
DART 400	400	1990	→		FDB529	FDB207
CAMEL 500	500	1984	→		FDB695	FSB901
CAMEL 500	500	2000	→		FSB901	FSB852
T.T. 500	500	1980	→		FDB205	
9	998	2006	→	(x2)	FDB2042	FDB2074
1200 SPORT	1200	2008	→	(x2)	FDB2042	FDB2074
Corsaro Veloce / Corsaro 1200 / Corsaro Avio	1200	2005	→	(x2)	FDB2042	FDB2074
Granpasso 1200 / H83	1200	2008	→	(x2)	FDB2006	FDB2018
MM3	1200	2007	→	(x2)	FDB2042	FDB2074
Scrambler 1200	1200	2008	→	(x2)	FDB2006	FDB2018

MOTOBECANE

all models 50 (mozzi atom)	50	1988	→ 1989		FSB712	FSB864
all models 50 (mozzi leleu)	50	1988	→ 1989		FSB712	FSB864
V 51 (mozzi atom)	50		→		FSB822	FSB822
V 51 (mozzi motobecane)	50		→		FSB822	FSB822

MOTORHISPANIA

MX 50 FURIA	50	2000	→		FRP405	FRP405
RX 50 RACING	50	2000	→		FDB438	FRP405

MOTRON

KCV 50	50		→		FDB250	
V 3 50 RID	50		→		FDB213	

MV AGUSTA

F4 750 Brutale	750	1999	→	(x2)	FDB2036	FDB2198
Rivale	800	2013	→	(x2)	FDB2265	
BRUTALE 910 / Hydrogen	910	2007	→	(x2)	FDB2036	FDB2198
BRUTALE 910 R / Starfighter	910	2006	→	(x2)	FDB2120	FDB2198
BRUTALE 989 R	989	2008	→	(x2)	FDB2042	FDB2198
BRUTALE 990 R	990	2010	→	(x2)	FDB2042	FDB2198

* It is recommended that in those applications where sintered pads are supplied as Original Equipment, replacement pads should also be of sintered composition.

** To avoid brake imbalance sintered pads fitted in rear calipers should only be used in combination with front calipers containing sintered pads.



CC FROM → TO



NOTES



NOTES

...MV AGUSTA

F4 1000	1000	2003 → 2005	(x2)	FDB2036	FDB2198
F4 1000 R (1+1)	1000	2006 → 2007	(x2)	FDB2120	FDB2198
F4 Stealth Italian Flag	1000	2010 →	(x2)	FDB2260	FDB2198
F4 Stealth Italian Flag	1000	2010 →	(x2)	FDB2218	FDB2198
BRUTALE 1078 R	1078	2008 →	(x2)	FDB2260	FDB2198
BRUTALE 1078 R	1078	2008 →	(x2)	FDB2218	FDB2198
F4 312 R	1078	2007 →	(x2)	FDB2260	FDB2198
F4 312 R	1078	2007 →	(x2)	FDB2218	FDB2198
F4 RR 1078	1078	2008 →	(x2)	FDB2260	FDB2198
F4 RR 1078	1078	2008 →	(x2)	FDB2218	FDB2198
BRUTALE 1090 RR	1090	2010 →	(x2)	FDB2260	FDB2198
BRUTALE 1090 RR	1090	2010 →	(x2)	FDB2218	FDB2198

MZ

ETZ 125	125	→		FSB824	FSB824
ETZ 125	125	1982 → 1992		FDB108	FSB824
SAXON 125	125	1993 → 1997		FDB108	FSB823
TS 125	125	→		FSB823	FSB824
ETZ 150	150	→		FSB824	FSB824
ETZ 150	150	1982 → 1992		FDB108	FSB824
SAXON 150	150	1995 →		FDB108	FSB823
TS 150	150	→		FSB823	FSB824
ETZ 250	250	→		FSB823	FSB823
ETZ 250	250	1982 → 1992		FDB148	FSB823
TS 250	250	→		FSB823	FSB823
FUN 251	251	1995 → 1996		FDB108	FSB823
ETZ 301	301	1990 → 1992		FDB108	FSB823
SAXON 500	500	1993 → 1998		FDB108	FSB823
BAGHIRA / MASTIFF	660	2000 →		FDB782	FDB828
SKORPION CUP / SPORT / TOUR / TRAVELLER	660	1995 →		FDB498	FDB207
SKORPION REPLICA	660	1995 →		FRP408	FDB207

NORTON

adaptable to front 200x30 drums		→		FSB923	
COMMANDER	580	1990 →	(x2)	FDB337	FDB337
FORMULA 1	588	1989 → 1991	(x2)	FRP408	FRB207
FORMULA 1 SPORT	588	1992 →	(x2)	FRP408	FRP408
INTERPOL 2 (ROTARY)	588	1983 →	(x2)	FDB108	FDB108
COMMANDO	750	1968 → 1970		FSB920	FSB922
COMMANDO	750	1975 → 1975		FDB88	FDB88

OSSA

CROSS 125	125	1974 →		FSB825	FSB828
CROSS 250	250	1974 →		FSB825	FSB828
FUEGO 250	250	1974 →		FSB825	FSB828
TRIAL 250 (all models)	250	1981 →		FSB826	FSB827
TRIAL 250 (all models)	250	2000 →		FSB825	FSB825
TRIAL 350 (all models)	350	1981 →		FSB826	FSB827
TRIAL 350 (all models)	350	2000 →		FSB825	FSB825
TU-YO 360	360	→		FDB213	FDB213

PEUGEOT

103 / 104 / 105 50	50	→		FSB712	FSB712
ASV 50 (telescopic fork)	50	1993 →		FSB712	FSB712
BUXI 50	50	1994 → 1997		FDB680	FSB704
BUXI RS 50	50	1994 → 1997		FDB313	FSB704
ELYSEO 50	50	1998 → 2002		FRP405	FSB704
ELYSEO 50	50	2003 →		FRP405	FRP405
FOX 50	50	1996 →		FSB906	FSB704
JET FORCE 50	50	2003 →		FRP405	FRP405
LOOXOR 50	50	2001 →		FRP405	FSB704
LUDIX 50 (All front disc models)	50	2004 →		FRP405	FSB704
LUDIX ONE 50	50	2004 →		FSB704	FSB704
METROPOLIS 50	50	→		FSB704	FSB703
SC 50	50	→		FSB704	FSB703

* It is recommended that in those applications where sintered pads are supplied as Original Equipment, replacement pads should also be of sintered composition.

** To avoid brake imbalance sintered pads fitted in rear calipers should only be used in combination with front calipers containing sintered pads.



CC

FROM → TO



NOTES



NOTES

...PEUGEOT

SPEEDAKE 50	50	1995 → 2001	FDB680	FSB704
SPEEDFIGHT 50 (liquid cooled AJP caliper)	50	1998 → 2000	FRP405	FRP405
SPEEDFIGHT 50 M (AJP caliper)	50	1997 → 1998	FRP405	FSB704
SPEEDFIGHT 50 M (Heng-Tong caliper)	50	1997 →	FDB313	FSB704
SQUAB 50	50	1996 → 2001	FRP405	FSB704
SQUAB 50 (Heng-Tong caliper)	50	1996 → 2001	FDB313	FSB704
ST 50	50	→	FSB702	FSB703
ST 50 RAPIDO	50	→	FSB754	FSB754
STL 2 50	50	→	FSB702	FSB703
SV 50 APS SYSTEM	50	1991 →	FSB704	FSB704
SV 50 GEO	50	1992 →	FDB783	FSB704
SV 50 GEO (all models)	50	1993 →	FDB672	FSB704
SX 50	50	→	FSB704	FSB754
TREKKER 50 ROAD	50	1997 →	FDB313	FSB704
VIVACITY 50 .	50	1998 → 2003	FRP405	FSB704
X FIGHT 50 (liquid cooled)	50	2000 →	FRP405	FRP405
X FIGHT 50 M	50	2000 →	FRP405	FSB704
XR 6 50	50	2002 →	FDB706	FRP405
ZENITH 50	50	1994 → 1995	FDB783	FSB704
ZENITH 50	50	1996 → 2000	FRP405	FSB704
SC 75	75	→	FSB704	FSB703
SX 75	75	→	FSB704	FSB703
METROPOLIS 80	80	→	FSB704	FSB703
SC 80	80	→	FSB704	FSB754
SV 80 EXECUTIVE	80	1996 →	FDB539	FSB704
SX 80	80	→	FSB704	FSB703
ELYSEO 100	100	1998 →	FRP405	FSB704
ELYSEO 100	100	1999 → 2002	FRP405	FSB962
ELYSEO 100	100	2003 →	FRP405	FRP405
LOOXOR 100	100	2001 →	FRP405	FRP405
TREKKER 100	100	1998 →	FRP405	FSB704
VIVACITY 100 .	100	1998 →	FRP405	FSB704
X FIGHT 100 (liquid cooled)	100	2000 →	FRP405	FRP405
X FIGHT 100 M	100	2000 →	FRP405	FSB704
ELYSEO 125	125	1998 → 2000	FRP405	FSB762
ELYSEO 125	125	2001 → 2002	FDB2128	
ELYSEO 125	125	2003 →	FDB677	FDB2128
LOOXOR 125 / 150	125	2003 →	FDB2105	FRP405
LUDIX 125	125	2004 →	FRP405	FSB704
SATELIS 125	125	2006 →	FDB677	FRP405
SATELIS 125 / 600	125	2004 → 2005	FDB570	FDB2128
SV 125 GEO	125	1991 → 1992	FDB783	FSB704
SV 125 GEO	125	1993 →	FDB672	FSB704
ELYSEO 150	150	2000 →	FRP405	FDB2128
ELYSEO 150	150	2001 →	FDB677	FDB2128
SATELIS 250 (AJP caliper)	250	2007 →	FDB677	FDB2128
SATELIS 250 (Nissin caliper)	250	2006 →	FDB497	FDB497
SV 250	250	2001 →	FDB2075	FDB531
SATELIS 500	500	2006 →	FDB2074	FDB2074
XPS 6 SUPERMOTARD	600	2003 →	FDB706	FRP405

PGO

BIG MAX 50	50	1995 → 2004	FDB636	FSB883
BIG MAX 50 S	50	2003 → 2004	FDB2190	FSB883
COMET 50	50	1991 →	FDB313	FSB883
GALAXI 50	50	1992 →	FDB313	FSB883
MY BUBU 50	50	2003 →	FDB889	FSB731
PMX 50	50	2000 → 2004	FDB2190	FSB883
PS 50	50	1993 →	FDB313	FSB883
STAR 2 50	50	1994 →	FSB704	FSB703
STAR 50	50	2000 →	FSB704	FSB703
SUPER FIFTY 50 (BRASIL)	50	→		FSB883
T-REX 50	50	1999 → 2004	FDB2190	FSB777
BIG MAX 80	80	→	FSB704	FSB703
STAR 80	80	1990 →	FSB704	FSB703
GALAXI 90	90	1992 →	FDB313	FSB883
PMX 110	110	2000 → 2004	FDB2190	FSB883
T-REX 110	110	1999 → 2004	FDB2190	FSB777
CHARGE 125 A / B	125	2001 → 2002	FDB2190	FSB777
I-CHARGE 125	125	2003 → 2004	FDB2190	FSB721
MY BUBU 100 / 125	125	2003 → 2004	FDB2190	FSB721

* It is recommended that in those applications where sintered pads are supplied as Original Equipment, replacement pads should also be of sintered composition.

** To avoid brake imbalance sintered pads fitted in rear calipers should only be used in combination with front calipers containing sintered pads.



CC FROM → TO



NOTES



NOTES

...PGO

T-REX 125	125	1999 → 2004	FDB2190	FSB721
YOUNG BUBU 125	125	2003 → 2004	FDB2190	FSB721
T-REX 150	150	1999 → 2004	FDB2190	FSB721

PIAGGIO

FLY 50 2T	50	2005 → 2007	FDB2142	FSB954
FLY 50 4T	50	2005 → 2008	FDB2057	FSB954
FLY 50 4T	50	2008 →	FDB2142	FSB954
FREE 50	50	1993 → 1995	FSB902	FSB915
FREE 50	50	1996 → 2000	FDB697	FSB940
FREE 50	50	2002 →	FDB680	FSB938
FREE 50 (alloy wheels)	50	1996 → 2000	FSB915	FSB895
FREE Delivery 50	50	2000 → 2001	FDB697	FSB940
LIBERTY 50	50	1997 → 2003	FDB2057	FSB954
LIBERTY S50 4T	50	2008 →	FDB680	FDB680
NGR 50 POWER DD / Silver Bullet	50	2005 →	FDB313	FDB2057
NGR 50 POWER DT	50	2005 → 2007	FDB313	FSB938
NRG 50	50	1994 → 1995	FDB680	FSB895
NRG 50	50	1996 → 1997	FDB680	FSB940
NRG 50 DT MC3	50	2001 → 2005	FDB680	FSB938
NRG 50 MC2	50	1996 → 1997	FDB680	FSB940
NRG 50 MC2	50	1998 →	FDB680	FSB938
NRG 50 MC2 DD	50	1998 →	FDB680	FDB2057
NRG 50 MC3	50	1999 → 2001	FDB680	FSB938
NRG 50 MC3 / EXTREME DD	50	1999 → 2001	FDB680	FDB2057
NRG 50 MC3 DD	50	2001 → 2005	FDB680	FDB2057
NRG 50 Power DD	50	2010 →	FDB313	FDB680
NRG 50 Power Pure Jet	50	2004 → 2008	FDB313	FDB2057
NTT 50	50	1996 →	FDB680	FSB940
NTT 50	50	2000 →	FDB680	FSB895
QUARTZ 50	50	1992 → 1996	FDB784	FSB895
SCATTO 50	50	1990 → 1993	FSB896	FSB896
SFERA 50	50	1991 → 1994	FSB894	FSB895
SFERA 50 RST	50	1995 → 1997	FDB2037	FSB940
TPH 50 X-R	50	2005 →	FDB680	
TYPHOON 50	50	1993 → 1999	FDB680	FSB940
TYPHOON XR 50	50	2000 → 2007	FDB680	FSB938
VELOFAX 50	50	1996 →	FSB938	FSB951
VESPA 50	50	→	FSB890	FSB885
VESPA 50 ET2	50	1997 → 1998	FDB2057	FSB938
VESPA 50 ET4	50	1999 →	FDB2057	FSB938
VESPA 50 HP	50	1992 → 1996	FSB874	FSB874
VESPA 50 PK SPECIAL - XL	50	1986 → 1989	FSB890	FSB874
VESPA 50 PK XL 2	50	→	FSB874	FSB874
VESPA 50 PK XL 2 AUTOMATICA	50	→	FSB874	FSB887
VESPA 50 SPECIAL	50	→	FSB890	FSB891
VESPA 50 V FL 2	50	1990 → 1996	FSB874	FSB874
VESPA LX 50 2T	50	2007 →	FDB2115	
VESPA S50	50	2008 →	FDB2115	
XR 50	50	2000 →	FDB680	FSB938
ZIP 50	50	1992 → 1996	FSB915	FSB895
ZIP 50	50	1999 →	FSB952	FSB938
ZIP 50 Grimeca/Heng Tong A/C 4T	50	2000 → 2008	FDB2057	FSB938
ZIP 50 SP	50	2001 → 2006	FDB2057	FSB938
ZIP 50 BASE (Disc)	50	1995 → 1996	FDB680	FSB938
ZIP 50 Electric	50	2002 →	FDB680	FSB940
ZIP 50 FAST RIDER	50	1993 → 1997	FDB680	FSB940
ZIP 50 RST	50	1996 → 1997	FDB2056	FSB938
ZIP 50 RST	50	1998 → 1999	FDB2057	FSB952
ZIP 50 SP	50	1996 → 2000	FDB2057	FSB938
ZUM 50	50	1991 → 1996	FSB896	FSB896
SFERA 80	80	1994 → 1996	FSB894	FSB895
SKIPPER 80	80	1994 → 1996	FDB784	FSB895
TYPHOON 80	80	1993 → 1996	FDB680	FSB940
VESPA 90 PRIMAVERA	90	→	FSB890	FSB891
FREE 100	100	2002 →	FDB680	FSB954
BEVERLY 125 (Grimeca caliper)	125	2001 →	FDB677	FDB677
BEVERLY 125 (Heng Tong caliper)	125	2001 →	FDB2142	FDB2142
CORNABY 125	125	2008 →	FDB2142	FDB2186
COSA 125	125	1989 → 1991	FSB893	FSB892
COSA 2 125	125	1992 → 1997	FSB893	FSB892

* It is recommended that in those applications where sintered pads are supplied as Original Equipment, replacement pads should also be of sintered composition.

** To avoid brake imbalance sintered pads fitted in rear calipers should only be used in combination with front calipers containing sintered pads.



CC

FROM → TO



NOTES



NOTES

...PIAGGIO

DNA 125	125	2000 → 2003	FDB677	FDB2115
FLY 125	125	2004 → 2006	FDB2142	FSB954
GTS 125 Super	125	2010 →	FDB2142	FDB2115
HEXAGON 125	125	1994 → 1997	FDB680	FSB938
HEXAGON 125 LX	125	1998 → 1999	FDB677	FSB954
LIBERTY 125 / Elle	125	2010 →	FDB2142	
LIBERTY 125 4 T	125	1998 → 2002	FDB2057	FSB954
MP3 125 ie	125	2006 → (x2)	FDB2057	FDB2207
MP3 Hybrid 125	125	2010 → (x2)	FDB2057	FDB2186
SFERA 125	125	1995 → 1997	FDB2037	FSB938
SFERA 125 (4 stroke)	125	1996 →	FDB2057	FSB938
SKIPPER 125	125	1993 → 1997	FDB784	FSB938
SKIPPER 125 ST 4T	125	1998 → 1999	FDB677	FSB954
SKIPPER ST 125 (Grimeca caliper)	125	2000 →	FDB677	FSB954
SKIPPER ST 125 (Heng Tong caliper)	125	2000 →	FDB2142	FSB954
SUPER HEXAGON 125 GTX	125	2001 →	FDB2142	FDB2115
TYPHOON 125 / XR 125	125	1995 → 2000	FDB680	FSB938
TYPHOON 125 / XR 125	125	1999 → 2003	FDB680	FSB954
VESPA 125	125	1951 → 1962	FSB890	FSB875
VESPA 125	125	1963 → 1972	FSB890	FSB873
VESPA 125 ET3	125	→	FSB890	FSB891
VESPA 125 ET4	125	1996 →	FDB2057	FSB938
VESPA 125 PK AUTOMATICA	125	1984 →	FSB874	FSB887
VESPA 125 PK SPECIAL - XL	125	1986 →	FSB874	FSB874
VESPA 125 PK XL 2	125	→	FSB874	FSB874
VESPA 125 PRIMAVERA	125	→	FSB890	FSB891
VESPA 125 PX	125	1978 → 1982	FSB874	FSB874
VESPA 125 PX	125	1998 →	FDB2100	FSB874
VESPA 125 PX ARCOBALENO	125	1983 → 1990	FSB874	FSB874
VESPA 125 V FL2	125	1991 → 1997	FSB874	FSB874
VESPA GRANTURISMO 125 (Grimeca caliper)	125	2003 →	FDB677	FDB2115
VESPA GRANTURISMO 125 (Heng Tong caliper)	125	2003 →	FDB2142	FDB2115
VESPA LXV 125 / LX 125 / LXW 125 / Touring	125	2007 →	FDB2115	
VESPA S 125	125	2008 →	FDB2057	
X8 125	125	2005 →	FDB2142	FDB2207
X9 125	125	2001 → 2002 (x2)	FDB2074	FDB2074
X9 125 Evolution (left)	125	2004 →	FDB2142	
X9 125 Evolution (right)	125	2004 →	FDB2186	FDB2074
ZIP 125	125	2000 →	FDB2057	FSB938
COSA 150	150	1989 → 1991	FSB893	FSB892
COSA 2 150	150	1992 → 1997	FSB893	FSB892
FLY 150	150	2006 → 2008	FDB2142	
HEXAGON 150	150	1994 → 1999	FDB680	FSB938
LIBERTY 150	150	2008 →	FDB2057	FSB954
LIBERTY 150 LE	150	2000 → 2002	FDB2057	FSB954
SKIPPER 150	150	1993 → 1997	FDB784	FSB938
SKIPPER 150 ST 4T	150	1998 → 1999	FDB677	FSB954
SKIPPER ST 150 (Grimeca caliper)	150	2000 →	FDB677	FSB954
SKIPPER ST 150 (Heng Tong caliper)	150	2000 →	FDB2142	FSB954
SUPER HEXAGON 150 GTX	150	2001 →	FDB2142	FDB2115
VESPA 150	150	1951 → 1962	FSB890	FSB875
VESPA 150	150	1963 → 1972	FSB890	FSB873
VESPA 150 ET4	150	1996 →	FDB2057	FSB938
VESPA 150 PX	150	1978 → 1982	FSB874	FSB874
VESPA 150 PX	150	1998 →	FDB2100	FSB874
VESPA 150 PX ARCOBALENO	150	1983 → 1990	FSB874	FSB874
VESPA 150 SPRINT VELOCE	150	→	FSB869	FSB874
VESPA 150 SUPER	150	→	FSB890	FSB879
VESPA LX 150	150	2007 →	FDB2115	
VESPA S 150	150	2010 →	FDB2057	
VESPA 160 GS	160	→	FSB869	FSB874
DNA 180	180	2001 → 2002	FDB677	FDB2115
HEXAGON 180 LX	180	1998 → 1999	FDB677	FSB954
SUPER HEXAGON 180 GTX	180	2000 →	FDB677	FDB2057
SUPER HEXAGON 180 GTX	180	2001 → 2003	FDB2142	FDB2115
VESPA 180 SS	180	→	FSB869	FSB874
X9 180 AMALFI	180	2001 → 2003 (x2)	FDB2074	FDB2074
BEVERLY 200	200	2001 →	FDB677	FDB677
BEVERLY 200	200	2001 →	FDB2142	FDB2142
COSA 2 200	200	1992 →	FSB893	FSB892
COSA 200	200	1989 →	FSB893	FSB892
VESPA 200 PE	200	1983 →	FSB874	FSB874

* It is recommended that in those applications where sintered pads are supplied as Original Equipment, replacement pads should also be of sintered composition.

** To avoid brake imbalance sintered pads fitted in rear calipers should only be used in combination with front calipers containing sintered pads.



CC FROM → TO



NOTES



NOTES

...PIAGGIO

VESPA 200 PX	200	1998	→		FDB2100		FSB874
VESPA 200 PX ARCOBALENO	200	1983	→		FSB874		FSB874
VESPA 200 PX E	200	1978	→		FSB874		FSB874
VESPA 200 RALLY	200		→		FSB869		FSB874
VESPA GRANTURISMO 200 (Grimeca caliper)	200	2003	→		FDB677		FDB2115
VESPA GRANTURISMO 200 (Heng Tong caliper)	200	2003	→		FDB2142		FDB2115
X8 200	200	2004	→		FDB2142		FDB2074
X9 200	200	2002	→ 2003	(x2)	FDB2074		FDB2074
BEVERLY 250 (Grimeca caliper)	250	2002	→ 2006		FDB677		FDB677
BEVERLY 250 (Heng Tong caliper)	250	2006	→ 2007		FDB2142		FDB2142
BEVERLY Tourer 250i	250	2008	→		FDB2142		FDB2142
HEXAGON 250	250	1998	→ 1999		FDB677		FSB762
MP3 250	250	2007	→	(x2)	FDB2057		FDB2207
SUPER HEXAGON 250 GTX	250	2001	→ 2002		FDB677		FDB2115
VESPA GTS - GTV 250 ie	250	2008	→		FDB2142		FDB2115
X-EVO 250 ie	250	2008	→		FDB2142		FDB2186
X7 250	250	2008	→		FDB2186		FDB2186
X8 250	250	2006	→		FDB2142		FDB2207
X9 250 AMALFI	250	2000	→ 2003	(x2)	FDB2074		FDB2074
X9 250 Evolution (left)	250	2004	→ 2005		FDB2142		
X9 250 Evolution (left)	250	2005	→ 2005		FDB2142		
X9 250 Evolution (right)	250	2004	→ 2005		FDB2186		FDB2074
X9 250 Evolution (right)	250	2005	→ 2005		FDB2186		FDB2207
GTV Via Montenapoleone 280	280	2010	→		FDB2142		FDB2115
BEVERLY Tourer 300 ie	300	2010	→		FDB2142		FDB2142
CARNABY CRUISER 300 ie	300	2008	→		FDB2142		FDB2142
MP3 LT 300 ie	300	2010	→	(x2)	FDB2057		FDB2186
VESPA GTS 300 / Super / Supersport	300	2008	→		FDB2142		FDB2115
X7 EVO 300	300	2010	→		FDB2142		FDB2186
BEVERLY Tourer 400i	400	2008	→	(x2)	FDB2074		FDB2074
MP3 400 ie	400	2007	→ 2008	(x2)	FDB2057		FDB2142
MP3 LT 400 ie	400	2009	→	(x2)	FDB2057		FDB2207
X-EVO 400 ie (left)	400	2008	→		FDB2142		
X-EVO 400 ie (right)	400	2008	→		FDB2186		FDB2186
BEVERLY CRUISER 500 ie	500	2008	→	(x2)	FDB2074		FDB2074
M 500 Minicar	500	2006	→ 2008		FDB2153		
MP3 500	500	2010	→	(x2)	FDB2057		FDB2186
MP3 Sport 500	500	2010	→	(x2)	FDB2057		FDB2186
PK 500 Motocarro	500	2006	→ 2008		FDB2153		
X9 500	500	2001	→ 2002	(x2)	FDB2074		FDB2074
X9 500	500	2003	→	(x2)	FDB2018		FDB2074

PIAGGIO (moped)

BOSS 50	50	1988	→		FSB908		FSB889
BOXER 50	50		→		FSB902		FSB889
BRAVO 50	50		→		FSB902		FSB889
BRAVO 50 (alloy wheels 90mm hub)	50	1987	→		FSB908		FSB889
BRAVO 50 (alloy wheels)	50	1987	→		FSB910		FSB889
CIAO 50	50		→		FSB902		FSB889
CIAO 50 (alloy wheels)	50	1987	→		FSB910		FSB889
CIAO 50 MIX	50	1997	→		FSB952		FSB889
GRILLO 50	50	1989	→		FSB910		FSB889
P1 50	50	1994	→		FSB937		FSB937
SI 50	50		→		FSB902		FSB889
SI 50 (alloy wheels)	50	1980	→		FSB910		FSB889
SI 50 MIX	50	1997	→		FSB952		FSB889
SUPER BRAVO 50	50	1985	→		FSB902		FSB889
SUPERBRAVO 50 3 Marce	50	1987	→		FSB910		FSB888

PIAGGIO (motocarri)

APE 50	50		→		FSB890		FSB886
APE CAR	50		→		FSB878		
APE MP	50		→		FSB882		
PORTER	50	1993	→				FSB965
APE 150 C 1/2/3	150		→		FSB890		
APE 150 C4	150		→		FSB890		FSB884
APE 175 PENTARO'	175		→		FSB890		FSB884
APE CAR 220 P2/P3	220	1978	→ 1985		FSB872		
APE TM 220 P 602	220	1982	→ 1983		FSB872		

* It is recommended that in those applications where sintered pads are supplied as Original Equipment, replacement pads should also be of sintered composition.

** To avoid brake imbalance sintered pads fitted in rear calipers should only be used in combination with front calipers containing sintered pads.



CC FROM → TO



NOTES



NOTES

...PIAGGIO (motocarri)

APE POKER 420	420	1993	-	FSB935	FSB935
APE POKER 420 DIESEL	420	1993	- 1997	FSB935	FSB935
APE TM 420 D LCS	420	2005	-	FSB872	
APE TM 420 P703 / P703 V / FL 2	420	1984	- 2001	FSB872	
APE TM 420 P703 / P703 V DIESEL	420	1987	- 2001	FSB872	
VTL 500 QUARGO	500	2005	-	FSB935	FSB935

PIAGGIO (Spain)

VESPINO 50	50	1980	-	FSB910	FSB912
VESPINO 50	50	2000	-	FSB902	FSB912
VESPA 80	80	-	-	FSB890	FSB874
VESPA 80 PX	80	-	-	FSB890	FSB874
VESPA 80 SPECIAL	80	-	-	FSB890	FSB874
VESPA 125 PX	125	-	-	FSB874	FSB874
VESPA 150 PX	150	-	-	FSB874	FSB874

PUCH

adaptable to 95x22 front and rear drums			-	FSB831	FSB831
MAXI 30 30 all models	30	-	-	FSB712	FSB712
MAXI 40 40 all models	40	-	-	FSB712	FSB712
BORRASCA 50	50	-	-	FSB826	FSB826
CONDOR 50	50	-	-	FDB2107	FSB820
GTL 50	50	-	-	FDB213	FSB712
MINICROSS 50	50	-	-	FSB826	FSB826
MONZA 50	50	1983	-	FSB820	FSB820
MONZA 50	50	1984	-	FDB213	FSB827
MONZA 50	50	1985	-	FDB2107	FSB827
MONZA 50 4 GP all models	50	-	-	FSB712	FSB712
MONZA 50 4 SL	50	-	-	FSB712	FSB712
MONZA 50 50 (alloy wheels 160x17)	50	1984	-	FSB827	FSB827
RADICAL 50	50	1994	-	FSB937	FSB937
COBRA 75	75	1985	-	FDB2107	FSB820
LIDO 75 (scooter)	75	1986	-	FSB777	FSB777
80 /6	80	-	-	FDB213	FSB712
COBRA 80	80	1984	-	FDB2107	FSB820
GS 80 V	80	1983	-	FSB898	FSB898
MAXI 80	80	1988	-	FDB696	FDB207
MAXI 80 EXECUTIVE	80	1988	-	FSB908	FSB877
125	125	1987	-	FDB438	
FS 125 REGOLARITA'	125	1983	-	FSB898	FSB898
CROSS 250	250	1986	- 1986	FDB207	FDB694
F5 250	250	1984	-	FSB898	
F5 250 REGOLARITA'	250	1983	-	FSB901	FSB876
HFE 250	250	1986	- 1986	FDB207	FSB876
MC 250 VHS W	250	1983	-	FSB901	FSB876
CROSS 347	347	2000	-	FSB901	FSB852
FS 347 REGOLARITA'	347	2000	-	FSB901	FSB876
348	348	-	-	FDB213	
MC 496	496	2000	-	FSB901	FSB876
504	504	-	-	FDB213	
506	506	-	-	FDB213	
560 (Rotax engine)	560	-	-	FDB213	
ENDURO 600 4 VALVES	600	1985	-	FDB207	FDB207

RAPIDO

SCRENNNA 50	50	-	-	FSB914	FSB731
-------------	----	---	---	--------	--------

REAL

NEVADA 80 SPORT	80	-	-	FDB213	
-----------------	----	---	---	--------	--

RIEJU

MARATHON RV 50	50	1974	-	FSB832	FSB832
MRT 50	50	2008	-	FDB384	FDB384
MRT 50 PRO / SUPERMOTARD / Competizione	50	2008	-	FDB2074	FDB384

* It is recommended that in those applications where sintered pads are supplied as Original Equipment, replacement pads should also be of sintered composition.

** To avoid brake imbalance sintered pads fitted in rear calipers should only be used in combination with front calipers containing sintered pads.

1060



CC FROM → TO



NOTES



NOTES

...RIEJU

MRT 50 SUPERMOTARD	50	2010	→		FDB384		FDB384
MRX 50	50	2003	→ 2008		FRP405		FRP405
MRX 50 CASTROL	50	2001	→ 2002		FDB706		FRP405
MRX 50 PRO / TOP	50	2004	→ 2008		FDB677		FRP405
MTR 50 Competizione (Spoke Wheel)	50	2011	→		FDB2242		
NKD 50	50	2007	→		FDB2147		FRP405
RR 50 CASTROL	50	2000	→ 2002		FDB706		FRP405
RR 50 SPORT	50	2003	→ 2006		FRP405		FRP405
RR 50 THUNDERFIRE	50	1997	→ 2002		FRP405		FRP405
RS1 50	50	1997	→ 2000		FRP405		FRP405
RS1 50	50	2001	→ 2004		FDB706		FRP405
RS2 50	50	2009	→		FDB2147		FRP405
RS2 50 FR / PRO	50	2008	→		FDB2169		FDB828
RS2 50 MATRIX / PRO 50 (JJUAN)	50	2007	→ 2008		FDB2169		FDB384
RS2 50 PRO	50	2009	→		FDB2169		FDB828
RS2 50 PRO (AJP)	50	2006	→ 2008		FRP405		FRP405
RS2 MATRIX 50 (AJP)	50	2002	→ 2008		FDB2147		FRP405
RS2 NKD	50	2005	→		FDB677		FRP405
SMX 50	50	2002	→		FRP405		FRP405
SMX 50 PRO	50	2004	→		FDB677		FRP405
SPIKE 50	50	2004	→		FRP405		FRP405
SPIKE 50 MOTARD	50	2004	→		FDB706		FRP405
TANGO 50 / TANGO! 50	50	2007	→		FDB2074		FRP405
TANGO 50 Motard	50	2009	→		FDB384		FRP405
MR 80	80		→		FDB2107		FSB827
MARATHON 125 / MOTARD	125	2008	→		FDB384		FDB384
MARATHON 125 PRO / SUPERMOTARD	125	2008	→		FDB2074		FDB384
Marathon Pro 125 Competizione (Spoke Wheel)	125	2011	→ 2013		FDB2242		
MRX 125	125	2002	→ 2008		FDB706		FRP405
NKD 125	125	2006	→ 2007		FDB2147		FRP405
NKD 125	125	2008	→		FDB2169		FDB828
RS2 125 (AJP)	125	2006	→ 2008		FDB2147		FRP405
RS2 125 / PRO	125	2009	→		FDB677		FRP405
RS2 125 / PRO 125 (JJUAN)	125	2007	→ 2008		FDB2169		FDB384
RS3 125	125	2009	→		FDB2074		FRP405
SMX 125	125	2002	→ 2007		FDB706		FRP405
SMX 125 / Street	125	2007	→		FDB2074		FRP405
TANGO 125	125	2011	→ 2013		FDB2242		
TANGO 125 / PRO	125	2006	→ 2010		FDB2074		FRP405
MARATHON 250	250	2010	→		FDB2018		FDB2165
TANGO 250	250	2008	→ 2011		FDB2074		FRP405
TANGO 250	250	2012	→ 2013		FDB2242		
MARATHON 450	450	2010	→		FDB2018		FDB2165
MARATHON 450 Motard	450	2010	→ (x2)		FRP416		FDB2165

RIXE

RS 80 W	80		→ (x2)		FDB213		
---------	----	--	--------	--	--------	--	--

RIZZATO

ATALA CALIFFONE 50 (alloy wheels)	50		→		FSB907		FSB907
ATALA CALIFFONE 50 (spoke wheels)	50		→		FSB910		FSB910
ATALA CAROSELLO 50	50	1997	→		FDB697		
ATALA HACKER 50	50	1995	→		FDB680		FSB777
ATALA MASTER 50 (alloy wheels)	50		→		FSB907		FSB907
ATALA UNO 50 (spoke wheels)	50		→		FSB902		FSB902

SACHS

ROADSTER 125	125	2000	→ 2003		FDB706		FSB733
XTC 125 SUPERSPORT	125	2000	→		FDB498		FDB828
ZX 125	125	2001	→		FDB677		FDB828
ROADSTER 650	650	2001	→		FDB498		FDB383
ROADSTER 800	800	2001	→ (x2)		FDB498		FSB784

* It is recommended that in those applications where sintered pads are supplied as Original Equipment, replacement pads should also be of sintered composition.

** To avoid brake imbalance sintered pads fitted in rear calipers should only be used in combination with front calipers containing sintered pads.



CC FROM → TO



NOTES



NOTES

SCORPA

T-Ride 125 F (Enduro)	125	2010	→	FDB2242	
T-Ride 250 F (Enduro)	250	2008	→ 2011	FDB2242	

SHERCO

Enduro 50c (2T)/Urban/SU - Spoke wheel models)	50	2008	→ 2010	FDB706	FDB2128
Enduro 50cc (2T)	50	2002	→ 2007	FDB706	FDB2107
SM 0.5cc Black Panther	50	2008	→ 2010	FDB2106	FDB2128
SU 50 (2T) Urban Base - Cast wheel model)	50	2010	→	FDB384	FDB2128
Supermotard 50cc (2T)	50	2002	→ 2007	FDB706	FDB2107
Trials 0.8 (2T)	80	2001	→ 2004	FDB2107	FDB2127
Trials 0.8 (2T)	80	2005	→ 2010	FDB2109	FDB2127
City Corp 125 (All models)	125	2003	→ 2007	FDB706	FDB2107
City Corp 125 (All models)	125	2008	→	FDB2106	FDB2128
SE 1.25 F Enduro (4T)	125	2010	→	FDB2106	FDB2128
SM 1.25 i F Black Panther (4T)	125	2010	→	FDB2106	FDB2128
Trials 1.25cc (2T)	125	1999	→ 2005	FDB2107	FDB2107
Trials 1.25cc (2T)	125	2006	→ 2011	FDB2109	FDB2127
Trials 2.0cc (2T)	200	1999	→ 2005	FDB2107	FDB2107
Enduro 2.5i (4T) Inc. SE Models	250	2008	→ 2011	FDB2018	FDB2162
SM 2.5i Supermotard (4T)	250	2008	→	FDB2018	FDB2162
SX 2.5i F Moto Cross	250	2010	→	FDB2018	FDB2162
Trials 2.5 (2T)	250	1999	→ 2005	FDB2107	FDB2107
Trials 2.5 (2T)	250	2006	→ 2011	FDB2109	FDB2127
Trials 2.9 (2T)	290	1999	→ 2005	FDB2107	FDB2107
Trials 2.9 (2T)	290	2006	→ 2011	FDB2109	FDB2127
Enduro SE 3.0i (4T)	300	2010	→ 2011	FDB2018	FDB2162
Trials 3.2cc (4T)	320	2005	→ 2011	FDB2109	FDB2127
Enduro 4.5i (4T) Inc SE Models	450	2004	→ 2011	FDB2018	FDB2162
SM 4.5i F (Black Panther)	450	2008	→ 2010	FDB2120	FDB2162
SM 4.5i F (Supermotard)	450	2004	→ 2010	FDB2018	FDB2162
Enduro 5.1iF Inc SE Models	510	2007	→ 2011	FDB2018	FDB2162
SM 5.1i F Black Panther	510	2008	→ 2010	FDB2120	FDB2162
SM 5.1i F Supermotard	510	2007	→	FDB2018	FDB2162

SIMSON

SR 50 /1 GAMMA	50	1994	→	FRP405	
SR 50 GAMMA E	50	1994	→	FRP405	
SR 50 XC/XCE	50		→	FRP405	
SR 80 /1 GAMMA	80	1994	→	FRP405	
SR 80 XCE	80		→	FRP405	

SUZUKI

adaptable to 130x28 front and rear drums			→	FSB787	FSB787
ADRESS 50	50	1990	→ 1991	FSB792	FSB792
ADRESS 50	50	1992	→ 1995	FDB313	FSB792
ADRESS 50 (SPAIN)	50		→	FSB777	FSB777
AH 50	50	1993	→ 1995	FSB792	FSB792
AP 50	50	1971	→ 1978	FSB722	FSB722
AP 50	50	1995	→ 2002	FDB889	FSB722
AY 50 KATANA (Brembo caliper)	50	1997	→	FDB680	FSB777
AY 50 W KATANA	50	1998	→	FRP405	FSB777
AY 50 WR KATANA	50	1998	→	FRP405	FSB777
CARNA 50	50	1990	→	FSB727	FSB791
CL 50 D LOVE	50	1983	→	FSB727	FSB726
CL 50 D SUZY	50	1983	→	FSB727	FSB726
CP 50	50	1991	→ 1993	FSB777	FSB777
CP 50 CHF	50	1985	→	FSB777	FSB777
CS 50 D	50	1983	→ 1984	FSB726	FSB726
CS 50 Z ROADIE	50	1983	→ 1984	FSB726	FSB726
DR 50 BIG	50	1989	→	FRP405	
F 50	50	1971	→ 1973	FSB722	FSB722
F 50 SUZY	50		→	FSB727	FSB727
FR 50	50	1971	→ 1981	FSB722	FSB722
FS 50 T - X SNIP	50	1981	→ 1982	FSB727	FSB727
FZ 50 N - X SUZY	50	1980	→ 1982	FSB720	FSB720
GT 50	50	1977	→ 1980		FSB722
JR 50	50	1993	→ 2003	FSB775	

* It is recommended that in those applications where sintered pads are supplied as Original Equipment, replacement pads should also be of sintered composition.

** To avoid brake imbalance sintered pads fitted in rear calipers should only be used in combination with front calipers containing sintered pads.



CC

FROM → TO



NOTES



NOTES

...SUZUKI

LIDO 50	50	1989 → 1990	FSB777	FSB777
OR 50	50	1980 →	FDB314	FSB723
RG 50 GAG - GAMMA	50	1987 →	FDB338	FSB728
RM 50 C - N - T	50	1978 → 1980	FSB722	FSB722
RM 50 X - Z 50	50	1981 → 1982	FSB723	FSB723
RME 50 R	50	2010 →		FDB2139
RMX 50	50	2000 → 2001	FRP405	FRP405
S 50 K	50	1993 →	FSB728	FSB720
SEPIA 50	50	1992 → 1995	FDB313	FSB777
SEPIA AU 50 ZZ	50	1996 → 1998	FDB313	FSB792
SMX 50 SUPER MOTARD	50	2000 → 2003	FRP405	FRP405
TR 50 STREET MAGIC	50	1998 → 2000	FDB2133	FSB883
TS 50 D all models	50	1979 →	FSB722	FSB722
TS 50 XKE-XKG all models	50	1984 → 2000	FSB729	FSB723
TUNE 50	50	1993 → 1995	FDB313	FSB792
UF 50 ESTILETE	50	2000 → 2002	FRP405	FSB777
UX 50 ZILLION	50	1998 → 2002	FRP405	FSB777
ZR 50 KEN - KEX	50	1979 →		FSB722
ZR 50 SKX - SLKX	50	1981 → 1987	FDB314	FSB723
ZZ 50	50	1992 → 1995	FDB313	FSB777
RM 65	65	2003 →	FDB2110	FDB381
DR-Z 70	70	2008 →	FSB702	FSB702
FR 70	70	1974 →	FSB722	FSB722
LIDO 75	75	1989 →	FDB313	FSB777
3 E 80	80	→	FDB314	FSB722
AH 80	80	1992 → 1994	FDB313	FSB777
CP 80 CHF	80	1985 → 1993	FSB777	FSB777
CS 80 CD	80	1983 →	FSB720	FSB720
DS 80	80	1993 → 2000	FSB723	FSB723
FR 80 all models	80	1976 → 1983	FSB722	FSB722
GT 80 L	80	1981 →	FDB314	FSB722
RG 80 GAMMA	80	1988 → 1993	FDB437	FSB721
RG 80 GAMMA	80	2000 →	FDB314	FSB721
RM 80 L/M	80	1990 → 1994	FDB313	FDB313
RM 80 N - B - C	80	1977 → 1979	FSB722	FSB722
RM 80 X	80	1986 → 1989	FDB313	FSB764
RM 80 X - D - E	80	2000 →	FSB721	FSB723
RM 80 XD - XE - XF - XZ	80	1981 → 1985	FSB783	FSB764
RM 80 XT - XX	80	1980 → 1981	FSB723	FSB723
RM 80 XT- XV - X	80	1996 → 2001	FDB2133	FDB313
TS 80 X	80	1984 →	FSB729	FSB720
RM 85 L	85	2002 → 2004	FDB2133	FDB313
RM 85 L	85	2005 →	FDB2080	FDB2197
TS 90	90	1971 → 1973	FSB722	FSB721
A 100 all models	100	1974 → 1980	FSB722	FSB722
ADRESS 100 V	100	1992 → 1996	FDB313	FSB883
GP 100 C - DEN - N - X	100	1978 → 1987	FDB314	FSB722
GP 100 UD - UN - UX	100	1979 → 1992	FSB721	FSB722
RM 100 A - B - C	100	1976 → 1978	FSB722	FSB721
RM 100 N-T-X	100	1979 → 1981	FSB722	FSB728
TS 100 A - B - C	100	1975 → 1981	FSB721	FSB721
TS 100 ERN - ERT - ERX	100	1975 → 1981	FSB721	FSB721
TS 100 ERZ	100	1982 → 1987	FSB721	FSB723
TS 100 K - L - M	100	1973 → 1975	FSB722	FSB721
UG 110 HOKUTO	110	2000 → 2004	FDB2133	FSB883
ADRESS 125	125	2008 →	FDB2087	FSB724
AN 125	125	1995 → 2000	FDB2133	FSB777
CS 125 D	125	1983 →	FSB722	FSB722
DR 125 S	125	1986 → 1993	FDB250	FSB721
DR 125 SD - SZ	125	1982 → 1984	FSB721	FSB721
DR 125 SM	125	2008 →	FDB892	FDB2162
DR-Z 125	125	2003 → 2008	FSB721	FSB721
DR-Z 125	125	2003 →	FDB2133	FSB721
ER 125	125	→	FSB721	FSB721
GN 125	125	1983 → 1993	FDB384	FSB721
GN 125 R	125	1994 → 2001	FDB314	FSB721
GP 125 X - XD	125	1977 → 1984		FSB721
GS 125 D	125	1982 → 1984	FSB721	FSB721
GS 125 E - KATANA	125	1990 → 1994	FDB384	FSB721
GS 125 ESD	125	1983 → 1994	FDB384	FSB721
GS 125 ESR / ESX	125	1995 → 2000	FDB314	FSB721
GS 125 ESZ	125	1982 →	FDB314	FSB721

* It is recommended that in those applications where sintered pads are supplied as Original Equipment, replacement pads should also be of sintered composition.

** To avoid brake imbalance sintered pads fitted in rear calipers should only be used in combination with front calipers containing sintered pads.



CC

FROM → TO



NOTES



NOTES

...SUZUKI

GS 125 Z	125	1982 → 1984	FSB721	FSB721
GT 125 N - EN	125	1974 →		FSB721
GZ 125 MARAUDER	125	2000 →	FDB404	FSB721
LIDO 125 VARIO	125	1990 → 1993	FDB313	FSB777
RG 125 E	125	1982 → 1984	FDB314	FSB721
RG 125 T - FV	125	1992 → 1996	FDB574	FDB607
RG 125 U WOLF	125	1992 → 1994	FDB481	FDB607
RG 125 W GAMMA	125	1985 → 1991	FDB437	FSB721
RM 125	125	2009 →	FDB892	FDB2162
RM 125 A - B - C - M	125	1975 → 1978	FSB721	FSB721
RM 125 D - X - Z	125	1981 → 1983	FSB721	FSB786
RM 125 E	125	1984 → 1984	FSB778	FSB786
RM 125 E	125	2009 →	FDB892	FDB2162
RM 125 F - G	125	1985 → 1986	FDB404	FSB786
RM 125 H	125	1987 →	FDB497	FSB786
RM 125 J	125	1988 →	FDB497	FDB661
RM 125 K - L - M	125	1989 → 1995	FDB497	FDB659
RM 125 N	125	1979 → 1980	FSB721	FSB729
RM 125 N - T	125	1979 → 1980	FSB721	FSB728
RM 125 T - U - V	125	1996 → 1998	FDB892	FDB539
RM 125 X - Y - K1	125	1999 → 2008	FDB892	FDB539
RM 125 X - Z	125	1981 → 1983	FSB721	FSB786
RV 125 A - L - M	125	1974 → 1976	FSB721	FSB721
RV 125 K	125	1973 →	FSB722	FSB721
RV 125 K2/ K3 / K4 VAN VAN	125	2002 →	FDB2049	FSB722
SM 125	125	2010 →	FDB892	FDB2162
T 125 STINGER	125	1970 → 1971	FSB721	FSB721
TS 125	125	1990 → 1996	FDB497	FDB250
TS 125 A - B - C - C2	125	1973 → 1981	FSB721	FSB721
TS 125 ERN - ERT - ERX	125	1973 → 1981	FSB721	FSB721
TS 125 ERZ - FFS	125	1982 → 1983	FSB721	FSB723
TS 125 K	125	1972 → 1972	FSB722	FSB721
TS 125 L	125	1973 → 1981	FSB721	FSB721
TS 125 L - LC - XE	125	1984 → 1987	FSB721	FSB729
TS 125 M - N	125	1973 → 1984	FSB721	FSB721
TS 125 RK	125	1989 →	FDB250	FDB659
TS 125 X	125	1988 →	FDB250	FSB728
TX 125 XF	125	1985 →	FDB250	FSB729
UE - 125 EPICURO	125	1998 → 2000	FDB2133	FSB957
UE - 125 EPICURO	125	2001 → 2002	FDB2133	FDB2133
UH 125 BURGMAN	125	2002 → 2006	FDB2018	FDB2074
UH 125 BURGMAN	125	2007 →	FDB2196	FDB2148
UX 125 SIXTEEN	125	2008 →	FDB2196	FDB2148
VAN VAN	125	2010 →	FDB2049	
VL 125 INTRUDER	125	2000 →	FDB404	FSB721
X4 125	125	→	FDB314	FSB721
AN 150	150	1997 → 2000	FDB404	FSB777
UC 150 EPICURO	150	1998 → 2000	FDB2133	FSB957
UC 150 EPICURO	150	2001 → 2002	FDB2133	FDB2133
UX 150 SIXTEEN	150	2008 →	FDB2196	FDB2148
PE 175 C - CE2 - N	175	1978 → 1979	FSB721	FSB721
PE 175 T - X	175	1980 → 1981	FSB721	FSB775
PE 175 Z	175	1982 →	FSB776	FSB775
GT 185 A - B - C	185	1974 → 1979		FSB721
GT 185 EC - L - M	185	1974 → 1979		FSB721
TS 185 B - C	185	1974 → 1981	FSB721	FSB721
TS 185 ERN - ERT - ERX	185	1974 → 1981	FSB721	FSB721
TS 185 K	185	1973 → 1973	FSB722	FSB721
TS 185 L - M	185	1974 → 1981	FSB721	FSB721
DR 200	200	2000 →	FDB250	
DR 200 K	200	1989 → 1998	FDB250	FSB721
GT 200 EN - EX	200	1979 → 1982	FDB178	FSB721
GT 200 X 5	200	1979 → 1982	FDB178	FSB721
RG 200 GAMMA	200	1993 → 1994	FDB574	FDB607
RG 200 WOLF	200	1993 → 1994	FDB481	FDB607
SB 200 N - X	200	1979 → 1981	FSB724	FSB721
TS 200 R	200	1990 → 1994	FDB497	FDB659
UH 200 BURGMAN	200	2008 →	FDB2196	FDB2148
TS 240 X	240	1988 → 1990	FDB661	FSB728
250 BANDIT	250	1990 →	FDB481	FDB338
ACROSS 250	250	1990 →	FDB481	FDB338
AN 250 BURGMAN K1/K2	250	2001 → 2002	FDB497	FDB2132

* It is recommended that in those applications where sintered pads are supplied as Original Equipment, replacement pads should also be of sintered composition.

** To avoid brake imbalance sintered pads fitted in rear calipers should only be used in combination with front calipers containing sintered pads.



CC

FROM → TO



NOTES



NOTES

...SUZUKI

AN 250 BURGMAN W/X/Y	250	1996 → 2002	FDB2085	FDB2086
COBRA 250	250	1989 →	FDB574	FDB338
COBRA 250	250	1990 →	FDB574	FDB338
DJEBEL 250	250	1993 →	FDB497	FDB659
DR 250	250	1981 → 1982	FSB721	FSB721
DR 250 S	250	1983 → 1984	FSB785	FSB721
DR 250 S	250	1985 →	FDB673	FSB721
DR 250 S	250	1986 → 1989	FDB250	FSB721
DR 250 S	250	1990 → 2000	FDB497	FDB659
GF 250 S	250	1986 → (x2)	FDB390	FDB338
GN 250	250	1993 → 1997	FDB218	FSB721
GN 250 F / J	250	1983 → 1997	FDB218	FSB725
GNX 250 E	250	1983 →	FDB218	FSB725
GOOSE 250	250	1992 →	FDB574	FDB338
GS 250 E	250	1979 → 1981	FDB218	FSB725
GS 250 FW	250	1984 →	FDB338	FDB338
GS 250 T - TT - TX	250	1979 → 1981	FDB218	FSB725
GSF 250 BANDIT	250	1990 → (x2)	FDB481	FDB338
GSX 250 E - ET - EX - EZ - T	250	1979 →	FDB218	FSB725
GSX 250 S	250	1985 → 1990	FDB218	FSB725
GSX 250 S KATANA	250	1991 → (x2)	FDB481	FDB338
GSX-R 250	250	1987 → 1988 (x2)	FDB389	FDB338
GSX-R 250 R - R/SP	250	1989 → (x2)	FDB574	FDB338
GT 250 A - B - C	250	1973 → 1978		FSB773
GT 250 EN - ET - EX	250	1978 →	FDB178	FSB725
GT 250 K - L - M	250	1973 → 1978		FSB773
GT 250 X7	250	1978 →	FDB178	FSB725
GZ 250 MARAUDER	250	2000 →	FDB404	FSB721
Imazuma 250	250	2013 →	FDB570	FDB754
PE 250 B - C	250	1977 → 1978	FSB724	FSB724
PE 250 N	250	1979 → 1979	FSB722	FSB722
PE 250 T	250	1980 → 1980	FSB724	FSB724
PE 250 X - Z	250	1981 → 1982	FSB722	FSB724
RG 250 W GAMMA	250	1984 → 1987	FDB390	FDB338
RG 250 W GAMMA	250	2000 → (x2)	FDB338	FDB338
RGV 250	250	1993 → (x2)	FDB574	FDB607
RGV 250	250	1994 → 1996 (x2)	FDB574	FDB508
RGV 250 R	250	1988 → (x2)	FDB557	FDB338
RGV 250 R	250	1989 → (x2)	FDB574	FDB338
RGV 250 R	250	1990 → 1992 (x2)	FDB574	FDB508
RH 250 X	250	1987 →	FDB250	
RM 250	250	1991 → 1992	FDB497	FDB659
RM 250	250	2000 → 2008	FDB892	FDB539
RM 250	250	2009 →	FDB892	FDB2162
RM 250 A - B - C	250	1976 → 1978	FSB721	FSB724
RM 250 D	250	1983 →	FSB778	FSB786
RM 250 E	250	1984 →	FSB778	FSB776
RM 250 F - IG - G	250	1985 → 1986	FDB404	FSB776
RM 250 H	250	1987 → 1988	FDB497	FDB661
RM 250 K - L - M	250	1989 → 1994	FDB497	FDB659
RM 250 N	250	1979 →	FSB724	FSB785
RM 250 R-S	250	1993 → 1995	FDB497	FDB659
RM 250 T	250	1980 →	FSB776	FSB785
RM 250 T/V	250	1996 → 1999	FDB892	FDB539
RM 250 XZ	250	1981 → 1982	FSB779	FSB786
RM-Z 250	250	2004 → 2008	FDB892	FDB2162
RM-Z 250 / E	250	2009 →	FDB892	FDB2162
RMX 250	250	2000 → 2002	FDB892	FDB659
RMX 250 RP	250	1989 → 1995	FDB497	FDB659
RMX 250 T/V	250	1996 → 1998	FDB892	FDB659
SKY WAVE 250 (type II)	250	1998 →	FDB2085	FDB2086
SW1 250	250	1992 →	FDB481	
TS 250 all models	250	1974 → 1982	FSB724	FSB724
TS 250 X all models 250	250	1986 → 1989	FDB250	FSB724
TU 250 X	250	1997 → 2000	FDB404	FSB721
VL 250 INTRUDER	250	2000 → 2001	FDB404	FSB721
VOLTY 250	250	1995 → 2000	FDB404	
WOLF 250	250	1990 →	FDB529	FDB338
DR 350	350	1990 →	FDB497	FDB659
DR 350 S-SH-SE	350	1993 → 1997	FDB497	FDB659
GOOSE 350	350	1992 →	FDB574	FDB338
SP 370 C - N	370	1977 →	FSB724	FSB724

* It is recommended that in those applications where sintered pads are supplied as Original Equipment, replacement pads should also be of sintered composition.

** To avoid brake imbalance sintered pads fitted in rear calipers should only be used in combination with front calipers containing sintered pads.



CC

FROM → TO



NOTES



NOTES

...SUZUKI

GT 380	380	2000	→			FSB773
GT 380 A - B - K	380	1973	→ 1977			FSB773
GT 380 L - M	380	1973	→ 1977			FSB773
400 BURGMAN	400	1998	→	FDB2085		FDB2086
400 BURGMAN	400	2006	→ 2007	FDB2087		
400 BURGMAN BUSINESS	400	2001	→	FDB2085		FDB2132
AN 400 BURGMAN (left)	400	2008	→	FDB497		FDB2173
AN 400 BURGMAN (right)	400	2008	→	FDB631		
DR 400 ST - SX	400	1979	→ 1981	FSB724		FSB724
DR-Z 400 S - E - SM	400	2000	→	FDB892		FDB539
GN 400 TT	400	1980	→	FDB218		FSB725
GS 400 B - C	400	1977	→ 1978	FDB150		FSB773
GSF 400 BANDIT	400	1991	→ 1992 (x2)	FDB481		FDB338
GSF 400 BANDIT	400	1993	→ 1994 (x2)	FDB574		FDB338
GSF 400 BANDIT	400	1995	→ 1997 (x2)	FDB570		FDB338
GSF 400 S KATANA	400	1989	→ 1990	FDB574		FDB338
GSX 400 ET - EX - EZ	400	1980	→ 1983	FDB218		FSB725
GSX 400 F (FOUR) FZ	400	1981	→ 1983	FDB314		
GSX 400 FD	400	1981	→ 1983	FDB314		
GSX 400 FWS - D - E	400	1983	→ (x2)	FDB338		FDB338
GSX 400 IMPULSE	400	1994	→ 1996 (x2)	FDB570		FDB338
GSX 400 KATANA	400	1989	→ 1992 (x2)	FDB574		FDB338
GSX 400 L	400	1980	→ 1983	FDB218		FSB725
GSX 400 R I/II	400	1985	→ 1986 (x2)	FDB390		FDB338
GSX 400 S	400	1983	→ (x2)	FDB338		FDB338
GSX 400 TWIN	400	1980	→ 1983	FDB218		FSB725
GSX 400 TX - LX	400	1981	→ 1983	FDB218		FSB773
GSX 400 X IMPULSE 400	400	1986	→ 1988 (x2)	FDB389		FDB338
GSX-R 400	400	1990	→	FDB605		FDB338
GSX-R 400 (III-IV)	400	2000	→ (x2)	FDB389		FDB338
GSX-R 400 (V)	400	1989	→ 1990	FDB574		FDB338
GSX-R 400 (JAPAN)	400	1985	→ (x2)	FDB338		FDB390
GSX-R 400 R	400	1990	→ 1995 (x2)	FDB557		FDB338
LS 400 SAVAGE	400	1987	→	FSB724		FSB724
PE 400 T	400	1979	→ 1981	FSB722		FSB724
PE 400 X	400	1979	→ 1981	FSB722		FSB724
RF 400 RVC	400	1993	→	FDB570		FDB338
RG 400 GAMMA	400	1985	→ (x2)	FDB389		FDB338
RM 400 C	400	1978	→ 1978	FSB721		FSB724
RM 400 N	400	1979	→ 1979	FSB724		FSB785
RM 400 T	400	1980	→	FSB776		FSB785
SP 400	400	1979	→	FSB724		FSB724
ST 400	400	1979	→	FSB724		FSB724
SX 400	400	1979	→	FSB724		FSB724
GS 425 EN	425	1978	→ 1980	FDB150		FSB725
GS 450 ET - L - T	450	1980	→ 1980	FDB218		FSB725
GS 450 S	450	1987	→ (x2)	FDB314		FDB338
RM-Z 450	450	2005	→ 2007	FDB892		FDB2162
RM-Z 450 / E	450	2008	→	FDB892		FDB2162
RMX 450 E	450	2009	→	FDB892		FDB2162
SM 450X	450	2009	→	FDB892		FDB2162
RM 465 X - Z	465	1981	→ 1982	FSB779		FSB776
DR 500 S	500	1989	→	FDB673		FSB721
DR 500 SD - SE	500	1983	→	FSB724		FSB724
GS 500 E - K - FK	500	1996	→	FDB2049		FDB338
GS 500 E - K - L - M	500	1989	→ 1993	FDB481		FDB338
GS 500 EK - EL	500	1981	→ 1988 (x2)	FDB178		
GT 500 A - B	500	1976	→ 1978			FSB773
RE 500 5 A - M	500	1975	→ 1977	FDB178		FSB782
RG 500 RF GAMMA	500	1985	→ 1987 (x2)	FDB389		FDB338
RGV 500 GAMMA	500	1990	→ (x2)	FDB574		FDB508
RM 500	500	1987	→	FDB497		FDB661
RM 500 D - E	500	1983	→ 1984	FSB778		FSB721
RM 500 F	500	1985	→ 1986	FDB404		FSB721
T 500 all models	500	1968	→ 1975	FSB950		FSB773
GS 550 B - C - D	550	1977	→ 1978 (x2)	FDB178		FSB780
GS 550 EC - EN	550	1978	→ 1979 (x2)	FDB178		
GS 550 ET - EX - EZ	550	1980	→ 1984 (x2)	FDB217		
GS 550 LT - LX	550	1980	→ 1984 (x2)	FDB217		
GS 550 MEX	550	1981	→ 1983 (x2)	FDB217		
GS 550 MEZ KATANA	550	1981	→ 1983 (x2)	FDB217		
GSX 550 EF - EFE	550	1983	→ 1987 (x2)	FDB338		FDB338

* It is recommended that in those applications where sintered pads are supplied as Original Equipment, replacement pads should also be of sintered composition.

** To avoid brake imbalance sintered pads fitted in rear calipers should only be used in combination with front calipers containing sintered pads.



CC

FROM → TO



NOTES



NOTES

...SUZUKI

GSX 550 ES - ESE	550	1983 → 1987	(x2)	FDB338	FDB338
GSX 550 ESD - ES4	550	1983 → 1987	(x2)	FDB338	FDB338
GSX 550 ET - EV	550	1987 →	(x2)	FDB338	FDB338
GT 550	550	2000 →			FSB773
GT 550 A - B	550	1976 →			FSB780
GT 550 J	550	1972 → 1972		FSB950	FSB773
GT 550 K - L - M	550	1973 → 1975			FSB773
DR 600 DJEBEL - DAKAR	600	1989 →		FDB673	FDB607
DR 600 R DAKAR-DJEBEL	600	1987 → 1988		FDB673	FSB721
DR 600 S	600	1989 →		FDB673	FSB721
DR 600 S - SU	600	1985 → 1986		FDB673	FSB721
GSF 600 BANDIT	600	1995 → 1999	(x2)	FDB570	FDB338
GSF 600 BANDIT (left)	600	2000 →	(x2)	FDB2048	FDB338
GSF 600 BANDIT (right)	600	2000 →	(x2)	FDB2049	
GSF 600 BANDIT - KATANA (left)	600	1998 →	(x2)	FDB2048	FDB338
GSF 600 BANDIT - KATANA (right)	600	1998 →	(x2)	FDB2049	
GSR 600 /A / ABS	600	2006 →	(x2)	FDB574	FDB2213
GSX 600 F KATANA	600	1988 → 1993	(x2)	FDB569	FDB338
GSX-R 600	600	2000 →	(x2)	FDB557	FDB338
GSX-R 600	600	2004 → 2005	(x2)	FDB2178	FDB2111
GSX-R 600	600	2006 → 2010	(x2)	FDB2178	FDB2213
GSX-R 600	600	2011 →	(x2)	FDB2260	FDB2221
GSX-R 600 - Racing Application	600	2011 →	(x2)	FDB2218	FDB2221
GSX-R 600 - Racing Applications	600	2004 → 2005	(x2)	FDB2204	FDB2111
GSX-R 600 - Racing Applications	600	2006 →	(x2)	FDB2204	FDB2213
GSX-R 600 F	600	1994 → 1995	(x2)	FDB570	FDB338
GSX-R 600 V	600	1996 → 2003	(x2)	FDB574	FDB338
RF 600 RR	600	1993 → 1997	(x2)	FDB570	FDB338
SP 600	600	1985 →		FDB673	FSB721
VS 600 GL INTRUDER	600	1997 → 1999		FDB389	FSB784
BANDIT 650 / 650S ABS	650	2008 →	(x2)	FDB574	FDB754
BANDIT 650 FA	650	2012 →	(x2)	FDB574	FDB754
BANDIT 650 S (left)	650	2005 → 2007		FDB2048	FDB2111
BANDIT 650 S (right)	650	2005 → 2007		FDB2049	
BURGMAN 650/Executive/Z Executive	650	2002 →	(x2)	FDB570	FDB2173
DL 650 V-STROM (left)	650	2004 →		FDB2048	FDB754
DL 650 V-STROM (right)	650	2004 →		FDB2049	
DR 650 R-RS-RSE-DJEBEL-DAKAR	650	1991 → 1995		FDB606	FDB607
DR 650 RS-R DAKAR	650	1990 →		FDB673	FDB607
DR 650 SE	650	1996 →		FDB892	FDB539
GLADIUS 650	650	2008 →		FDB2048	FDB2258
GLADIUS 650	650	2008 →		FDB2049	
GR 650 - X	650	1983 →		FDB217	FSB725
GS 650 GTX - GTZ - GX	650	1981 → 1983	(x2)	FDB217	
GS 650 GZ KATANA	650	1981 → 1983	(x2)	FDB217	
GS 650 TURBO	650	1983 →	(x2)	FDB217	
GS 650 XN - 85 TURBO	650	1983 →	(x2)	FDB217	
GSF 650S	650	2008 →	(x2)	FDB574	FDB754
GSX 650F	650	2008 →	(x2)	FDB574	FDB754
LS 650 P	650	1993 →		FDB673	FSB725
LS 650 SAVAGE	650	1987 → 1999		FDB404	FSB725
SV 650 - S (left)	650	1999 → 2002		FDB2048	FDB338
SV 650 - S (right)	650	1999 → 2002		FDB2049	
SV 650 (left)	650	2003 →		FDB2048	FDB754
SV 650 (right)	650	2003 →		FDB2049	
V-STROM 650 (left) / ABS / DL 650 T	650	2007 →		FDB2048	FDB754
V-STROM 650 A Traveller (Left)	650	2011 →		FDB2048	FDB754
V-STROM 650A Traveller (Right)	650	2011 →		FDB2049	
XF 650 FREEWIND	650	1997 → 2002		FDB2049	FDB754
GS 700 E - ES	700	1985 →	(x2)	FDB218	
GV 700 GL	700	1985 →	(x2)	FDB218	FSB782
GV 700 GL MADURA	700	1984 →	(x2)	FDB218	FSB784
VS 700 GL INTRUDER	700	1985 →		FDB389	FSB784
DR 750 S BIG	750	1988 →		FDB606	FSB790
DR 750 S BIG	750	1989 →		FDB606	FDB607
GS 750 B	750	1976 → 1976		FDB150	
GS 750 DB	750	1977 → 1980	(x2)	FDB150	
GS 750 DL	750	1977 → 1980	(x2)	FDB150	
GS 750 EC	750	1977 → 1980	(x2)	FDB150	
GS 750 EN	750	1977 → 1980	(x2)	FDB150	
GSR 750 (Left)	750	2011 →		FDB2048	FDB754
GSR 750 (Right)	750	2011 →		FDB2049	

* It is recommended that in those applications where sintered pads are supplied as Original Equipment, replacement pads should also be of sintered composition.

** To avoid brake imbalance sintered pads fitted in rear calipers should only be used in combination with front calipers containing sintered pads.



CC

FROM → TO



NOTES



NOTES

...SUZUKI

GSX 750 EF	750	1987	→	(x2)	FDB389	FDB338	
GSX 750 EFE - ESD - ESG - ESE - SEH - EFF	750	1980	→	1986 (x2)	FDB218		
GSX 750 ET - EX	750	1980	→	1981 (x2)	FDB218		
GSX 750 FK/FL/FM/FN/FP/FR/FS/FT/FV	750	1989	→	1997 (x2)	FDB569	FDB338	
GSX 750 FW/FX/FY/FK1/FK2 (left)	750	1998	→	2006	FDB2048	FDB338	
GSX 750 FW/FX/FY/FK1/FK2 (right)	750	1998	→	2006	FDB2049		
GSX 750 LIMITED EDITION	750	1986	→	(x2)	FDB389	FDB338	
GSX 750 S KATANA	750	1980	→	(x2)	FDB218		
GSX 750 W/X/Y/K1 (left)	750	1998	→		FDB2048	FDB338	
GSX 750 W/X/Y/K1 (right)	750	1998	→		FDB2049		
GSX-R 750	750	1985	→	1987 (x2)	FDB389	FDB338	
GSX-R 750	750	1988	→	1993 (x2)	FDB557	FDB338	
GSX-R 750	750	2004	→	2005 (x2)	FDB2178	FDB2111	
GSX-R 750	750	2006	→	2010 (x2)	FDB2178	FDB2213	
GSX-R 750	750	2011	→	(x2)	FDB2260	FDB2221	
GSX-R 750 - Racing Application	750	2011	→	(x2)	FDB2218	FDB2221	
GSX-R 750 - Racing Applications	750	2004	→	2005 (x2)	FDB2204	FDB2111	
GSX-R 750 - Racing Applications	750	2006	→	(x2)	FDB2204	FDB2213	
GSX-R 750 LTD Special Edition	750	1987	→	1988 (x2)	FDB389	FDB338	
GSX-R 750 W	750	1994	→	1999 (x2)	FDB873	FDB338	
GSX-R 750 W (Racing Applications)	750	1994	→	1999 (x2)	FDB2144	FDB338	
GSX-R 750 Y	750	2000	→	2003 (x2)	FDB574	FDB338	
GT 750 A - B - K - L - M	750	1973	→	1977		FSB782	
GT 750 RF	750	1985	→	1986 (x2)	FDB389	FDB338	
VS 750 INTRUDER (All Models)	750	1985	→	1991	FDB389	FSB784	
DR 800 BIG all models	800	1991	→		FDB481	FDB631	
DR 800 BIG S - SU	800	1990	→		FDB606	FDB607	
DR 800 Z	800	1988	→	1989	FDB606	FDB661	
M/C 800 INTRUDER	800	2005	→		FDB2049		
VL 800 K1 INTRUDER VOLUSIA	800	2001	→		FDB2049	FSB784	
VS 800 GL-N-INTRUDER	800	1992	→	1999	FDB389	FSB784	
VS 800 S INTRUDER	800	1991	→		FDB673	FSB784	
VX 800	800	1990	→	1994	FDB481	FDB569	
VX 800	800	1995	→		FDB2048	FDB569	
VZ 800 INTRUDER C800 / M800	800	2005	→		FDB2049	FSB784	
VZ 800 MARAUDER / K7	800	1997	→	2003	FDB2049	FSB784	
GS 850 GN - GT - GX	850	1979	→	1981 (x2)	FDB178	FDB151	
GS 850 GZ - GE - GG	850	1982	→	1985 (x2)	FDB218	FDB151	
RF 900 RR	900	1994	→	1995 (x2)	FDB557	FDB2058	
RF 900 RT - RV	900	1996	→	1999 (x2)	FDB557	FDB338	
DL 1000 V-STROM (left)	1000	2004	→		FDB2048	FDB754	
DL 1000 V-STROM (right)	1000	2004	→		FDB2049		
GS 1000 EC - EN - HC - SN	1000	1978	→	1979 (x2)	FDB178	FDB151	
GS 1000 ET	1000	1980	→	1981 (x2)	FDB217	FDB151	
GS 1000 GT - GX	1000	1980	→	(x2)	FDB218		
GSX 1000 S KATANA	1000	1982	→	(x2)	FDB217	FDB151	
GSX R 1000	1000	2001	→	2002 (x2)	FDB873	FDB2111	
GSX R 1000 (Racing Applications)	1000	2001	→	2002 (x2)	FDB2144	FDB2111	
GSX R 1000 K3	1000	2003	→	(x2)	FDB2164	FDB2111	
GSX R 1000 K3 - Racing Applications	1000	2003	→	(x2)	FDB2203	FDB2111	
GSX-R 1000	1000	2004	→	2006 (x2)	FDB2178	FDB2111	
GSX-R 1000	1000	2007	→	2008 (x2)	FDB2178	FDB2213	
GSX-R 1000	1000	2009	→	2011 (x2)	FDB2178	FDB2221	
GSX-R 1000	1000	2012	→	(x2)	FDB2218	FDB2221	
GSX-R 1000	1000	2012	→	(x2)	FDB2260	FDB2221	
GSX-R 1000 - Racing Applications	1000	2004	→	2008 (x2)	FDB2204	FDB2111	
GSX-R 1000 - Racing Applications	1000	2009	→	(x2)	FDB2204	FDB2221	
GSX-R 1000 Alstare 25° Ann.	1000	2010	→	(x2)	FDB2178	FDB2221	
GSX-R 1000 Yoshimura 2008	1000	2010	→	(x2)	FDB2178	FDB2213	
SV 1000 K3/SK3	1000	2003	→	(x2)	FDB574	FDB754	
TL 1000 R	1000	1998	→	2002 (x2)	FDB873	FDB338	
TL 1000 SV TWIN	1000	1997	→	2001 (x2)	FDB574	FDB338	
V-STROM 1000	1000	2013	→		FDB2178	FDB2213	
V-STROM 1000 (left) / DL 1000 K7	1000	2007	→		FDB2048	FDB754	
V-STROM 1000 (right) / ABS / DL 1000 T	1000	2007	→		FDB2049		
V-STROM 1000 (right) / DL 1000 K7	1000	2007	→		FDB2049		
GS 1100 GZ	1100	1982	→	(x2)	FDB218		
GSX 1100 E - EF - ES	1100	1980	→	1982 (x2)	FDB217		
GSX 1100 E - EF - ES	1100	1984	→	1986 (x2)	FDB389	FDB389	
GSX 1100 FK - L - M - N - R	1100	1988	→	1993 (x2)	FDB569	FDB569	
GSX 1100 G	1100	1980	→	1982 (x2)	FDB217		
GSX 1100 G	1100	1993	→	1996 (x2)	FDB481	FDB508	

* It is recommended that in those applications where sintered pads are supplied as Original Equipment, replacement pads should also be of sintered composition.

** To avoid brake imbalance sintered pads fitted in rear calipers should only be used in combination with front calipers containing sintered pads.



CC FROM → TO



NOTES



NOTES

...SUZUKI

GSX 1100 GM	1100	1991	→	1992	(x2)	FDB481		FDB338	
GSX 1100 S KATANA	1100	1982	→	1983	(x2)	FDB217			
GSX-R 1100	1100	1985	→	1988	(x2)	FDB389		FDB338	
GSX-R 1100 K - L - M - N	1100	1989	→	1992	(x2)	FDB557		FDB338	
GSX-R 1100 W	1100	1993	→	1996	(x2)	FDB873		FDB338	
GSX-R 1100 W (Racing Applications)	1100	1991	→	1996	(x2)	FDB2144		FDB338	
GSF 1200 K1/SK1 BANDIT	1200	2001	→		(x2)	FDB873		FDB338	
GSF 1200 T-ST-V-SV- BANDIT	1200	1995	→	2000	(x2)	FDB557		FDB338	
GSX 1200	1200	1999	→	2000	(x2)	FDB2042		FDB338	
GV 1200 GL MADURA	1200	1985	→	1986	(x2)	FDB218		FDB151	
GSF 1250 A BANDIT / SA / 1250S ABS	1250	2008	→		(x2)	FDB574		FDB754	
GSF 1250 S ABS BANDIT	1250	2007	→		(x2)	FDB574		FDB754	
GSX 1250 FA Traveller	1250	2010	→		(x2)	FDB574		FDB754	
GSX 1300 B-KING / Hyaku	1300	2007	→		(x2)	FDB2158		FDB2213	
GSX-R 1300	1300	2008	→		(x2)	FDB2178		FDB2213	
GSX-R 1300 HAYABUSA	1300	1999	→	2007	(x2)	FDB873		FDB338	
GSX-R 1300 HAYABUSA	1300	2008	→		(x2)	FDB2178		FDB2213	
GSX-R 1300 HAYABUSA (Racing Applications)	1300	1999	→	2007	(x2)	FDB2144		FDB338	
GSX-R 1300 HAYABUSA ABS	1300	2013	→		(x2)	FDB2260		FDB2213	
B-KING	1340	2010	→		(x2)	FDB2158		FDB2213	
GSX 1400	1400	2002	→		(x2)	FDB873		FDB2111	
GV 1400	1400	1985	→	1986	(x2)	FDB389		FDB313	
GV 1400 CAVALCADE	1400	1987	→	1988	(x2)	FDB569			
GV 1400 GD	1400	1985	→	1986	(x2)	FDB389		FDB389	
VS 1400 GLPT/GLPV	1400	1996	→	2002	(x2)	FDB574		FDB250	
VS 1400 INTRUDER GLP	1400	1987	→	1995		FDB389		FDB389	
INTRUDER C1500 (left)	1500	2007	→			FDB2048		FDB2163	
INTRUDER C1500 (right)	1500	2007	→			FDB2049			
INTRUDER C1500T	1500	2007	→			FDB570		FDB2049	
M1500 INTRUDER	1500	2008	→			FDB2049		FDB2049	
VL 1500	1500	1998	→	2001	(x2)	FDB389		FDB389	
VL 1500 K2 (left)	1500	2002	→	2003		FDB2048		FDB2163	
VL 1500 K2 (right)	1500	2002	→	2003		FDB2049			
VZ 1600 MARAUDER	1600	2004	→		(x2)	FDB873		FDB2049	
VLR 1800 INTRUBER C1800 R/RT	1800	2008	→		(x2)	FDB2196		FDB2049	
VZR 1800 M INTRUDER	1800	2006	→		(x2)	FDB2178		FDB2049	

SWM

GS 50 RBS ENDURO	50	1983	→			FSB898		FSB898	
MC 50 CROSS	50	1983	→			FSB898		FSB898	
MK 50	50	1983	→			FSB898		FSB898	
TL 50 TRIAL	50	2000	→			FSB907		FSB907	
TR 50	50	2000	→			FSB907		FSB907	
GS 80 RBS ENDURO	80	1983	→			FSB898		FSB898	
MC 80 CROSS	80	1983	→			FSB898		FSB898	
MK 80	80	1983	→			FSB898		FSB898	
TL 80 TRIAL	80	2000	→			FSB907		FSB907	
TR 80	80	2000	→			FSB907		FSB907	
CROSS 125	125	2000	→			FSB901		FSB901	
ENDURO 125	125	2000	→			FSB901		FSB901	
HW 125	125	2000	→			FSB898		FSB898	
MW 125 TRIAL	125	2000	→			FSB898		FSB898	
S1 125	125	1983	→			FDB207			
S2 125	125	1983	→			FDB207			
TL 125	125	2000	→			FSB898		FSB898	
ENDURO 175	175	2000	→			FSB901		FSB901	
HW 240	240	2000	→			FSB898		FSB898	
MW 240 TRIAL	240	2000	→			FSB898		FSB898	
TL 240	240	2000	→			FSB898		FSB898	
TRIAL 240	240	2000	→			FSB898		FSB898	
CROSS 250	250	2000	→			FSB901		FSB901	
S1 250	250	1983	→			FDB207			
S2 250	250	1983	→			FDB207			
HW 320	320	2000	→			FSB898		FSB898	
MW 320 TRIAL	320	2000	→			FSB898		FSB898	
TL 320	320	2000	→			FSB898		FSB898	
TRIAL 320	320	2000	→			FSB898		FSB898	
ENDURO 347	347	2000	→			FSB901		FSB901	
HW 350	350	2000	→			FSB898		FSB898	
MW 350 TRIAL	350	2000	→			FSB898		FSB898	
TL 350	350	2000	→			FSB898		FSB898	

* It is recommended that in those applications where sintered pads are supplied as Original Equipment, replacement pads should also be of sintered composition.

** To avoid brake imbalance sintered pads fitted in rear calipers should only be used in combination with front calipers containing sintered pads.



CC FROM -> TO



NOTES



NOTES

...SWM

XP 350 SAHARA	350	1983	→	FDB108		
CROSS 440	440	2000	→	FSB901		FSB901
ENDURO 440	440	2000	→	FSB901		FSB901

SYM

BULLET 50	50	1993	→	FDB2192		
CITY HOPPER 50	50	1999	→ 2002	FDB625		FSB704
DD 50 CITY TREK	50	2002	→	FDB625		FSB704
FEEL BIG 50	50	1998	→ 2002	FDB2192		
FIDDLE 50	50	1999	→	FSB704		FSB703
JET 50	50	1999	→	FDB2190		FSB788
JUNGLE 50	50	1999	→ 2002	FDB2190		FSB788
MASK 50	50	2000	→	FDB2190		FSB788
PURE 50	50	1998	→ 2002	FDB2192		
RED DEVIL 50	50	1999	→	FDB2190		FSB788
RS 50	50	2004	→	FDB2108		
SHARK 50	50	1999	→ 2003	FDB2108		FSB960
SUPER FANCY 50	50	1996	→ 2002	FDB625		FSB788
SUPER FANCY 50 (G5H-6/H325)	50	1996	→ 2002	FDB2190		FSB788
CINDERELLA 50 / 100	100	1999	→ 2000	FDB625		FSB704
JET 100	100	1999	→	FDB2190		FSB788
SR 100 SUNRISE	100	1998	→	FDB539		
ATTILA 125	125	1999	→ 2000	FDB2190		FSB960
EURO MX 125	125	2002	→	FDB2108		FSB960
GTS 125	125	2006	→ 2009	FDB2226		FDB2226
GTS 125 i	125	2010	→	FDB2141		FDB2226
HD 125	125	2004	→	FDB2096		FSB960
HD 125	125	2005	→ 2006			FDB2226
HD 125 EVO EURO3	125	2010	→			FDB2226
HUSKY 125	125	2000	→	FDB2129		FSB959
JOYRIDE (Euro2 - Euro3)	125	2005	→	FDB2108		FDB2226
JOYRIDE 125	125	2001	→ 2005	FDB2108		FDB2096
JOYRIDE 125 EURO2	125	2005	→ 2006	FDB2108		FDB2226
JOYRIDE Evo	125	2010	→	FDB2108		FDB2226
MEGALO 125	125	2000	→	FDB2190		FSB960
RS 125	125	2001	→	FDB2108		
SHARK 125	125	1999	→ 2002	FDB2108		FSB966
SHARK 4 VR 125	125	2000	→ 2002	FDB2108		FDB2087
SUPER DUKE 125 / 150	125	1999	→ 2000	FDB2190		FSB788
VS 125	125	2006	→	FDB2108		
EURO MX 150	150	2002	→	FDB2108		FSB960
HUSKY 150	150	2000	→	FDB2129		FSB959
JOYRIDE 150	150	2001	→	FDB2108		FDB2096
RS 150	150	2001	→	FDB2108		
SHARK 150	150	1999	→ 2002	FDB2108		FSB966
SHARK 4 VR 150	150	2000	→ 2002	FDB2108		FDB2087
SUPER DUKE 150	150	1999	→	FDB2190		FSB960
VS 150	150	2006	→	FDB2108		
HD 200	200	2004	→ 2005	FDB2096		FSB960
HD 200 EVO Euro 2-3 / EVO 1 Euro 2-3	200	2005	→	FDB2190		FDB2226
JOYRIDE 200	200	2001	→	FDB2108		FDB2096
JOYRIDE EVO	200	2009	→	FDB2190		FDB2226
GTS 250	250	2007	→	FDB2085		FDB2226
JOYMAX 250	250	2006	→ 2007	FDB2141		FDB2226
GTS 300	300	2009	→	FDB2085		
JOYMAX 300 EVO / EVO I	300	2009	→	FDB2085		FDB2226
JOYRIDE 300 EVO I	300	2010	→	FDB2085		FDB2226
GT 500	500	2004	→	FDB2085		

TGB

202 CLASSIC 50	50	2003	→	FDB2090		
203 TRIGGER 50	50	2002	→	FDB313		
AKROS TEC 50	50	2003	→	FDB2090		
DELIVERY 50	50	2003	→	FDB2090		

* It is recommended that in those applications where sintered pads are supplied as Original Equipment, replacement pads should also be of sintered composition.

** To avoid brake imbalance sintered pads fitted in rear calipers should only be used in combination with front calipers containing sintered pads.



CC FROM → TO



NOTES



NOTES

TM

80/85 Cross	1996 → 2001	FDB2018	FDB2005
80/85 Minicross/Junior	1996 → 2000	FDB313	FDB661
80/85/100 (Big wheel)	2002 → 2004	FDB2018	FDB2005
80/85/100 Junior	2005 → 2007	FDB2018	FDB2162
80/85/100 Junior Cross (Small wheel)	2002 → 2004	FDB2018	FDB2005
80 Enduro	80 1996 → 2000	FDB2018	FDB2005
all models 80	80 1990 → 1993	FDB499	FDB314
GS 80	80 1986 → 1989	FDB499	FDB207
MC 80	80 1986 → 1989	FDB499	FDB207
MX 85 (Big Wheel)	85 2002 → 2004	FDB2018	FDB539
MX 85 (Big Wheel)	85 2005 → 2012	FDB2018	FDB2162
MX 85 JR (Small Wheel)	85 2002 → 2004	FDB2018	FDB539
MX 85 JR (Small Wheel)	85 2005 → 2012	FDB2018	FDB2162
125 Cross	125 1995 → 2000	FDB2018	FDB2005
125 Enduro	125 1995 → 2000	FDB2018	FDB2005
Enduro EN 125 (2T)	125 2001 → 2004	FDB2018	FDB539
Enduro EN 125 (2T)	125 2005 → 2012	FDB2018	FDB539
Enduro EN 125 (2T) - USA VERSION	125 2005 → 2008	FDB2018	FDB2162
GS / MC 125	125 1990 → 1993	FDB499	FDB314
GS 125	125 1986 → 1989	FDB499	FDB207
MC 125	125 1986 → 1989	FDB499	FDB207
MX 125 (2T)	125 2001 → 2012	FDB2018	FDB539
SMM 125 (2T) Black Dream (320mm front disc)	125 2008 → 2011	FDB2120	FDB207
SMM 125 Black Dream (Rim brake)	125 2004 → 2008		FDB207
SMR 125 (2T)	125 2005 → 2011	FRP408	FDB2162
EN 144 (2T)	144 2008 → 2012	FDB2018	FDB2162
MX 144 (2T)	144 2008 → 2012	FDB2018	FDB2162
250 Cross	250 1995 → 2000	FDB2018	FDB2005
250 Enduro	250 1995 → 2000	FDB2018	FDB2005
Enduro EN 250 (2T)	250 2001 → 2004	FDB2018	FDB539
Enduro EN 250 (2T)	250 2005 → 2008	FDB2018	FDB2162
Enduro EN 250 Fi	250 2010 → 2011	FDB2018	FDB2162
MX 250 (2T)	250 2001 → 2004	FDB2018	FDB539
MX 250 (2T)	250 2005 → 2012	FDB2018	FDB2162
MX 250 (4T) Cross	250 2002 → 2004	FDB2018	FDB539
MX 250 (4T) Cross	250 2005 → 2012	FDB2018	FDB2162
MX 250 Fi (4T)	250 2010 → 2012	FDB2018	FDB2162
SM 250	250 2002 → 0000	FRP408	FDB539
SME 250 (4T)	250 2004 → 0000	FRP408	FDB539
SMM 250 (2T)	250 2005 → 2011	FRP408	FDB207
SMM 250 F (4T)	250 2010 → 2011	FDB2120	FDB2162
SMR 250 (2T)	250 2005 → 2011	FRP408	FDB2162
SMR 250 F (4T)	250 2010 → 2011	FDB2120	FDB2162
300 Cross	300 1995 → 2000	FDB2018	FDB2005
300 Enduro (2T)	300 1995 → 2000	FDB2018	FDB2005
Enduro EN 300 (2T)	300 2001 → 2004	FDB2018	FDB539
Enduro EN 300 (2T)	300 2005 → 2012	FDB2018	FDB2162
MX 300 (2T)	300 2001 → 2004	FDB2018	FDB539
MX 300 (2T)	300 2005 → 2012	FDB2018	FDB2162
SMM 300 (2T)	300 2005 → 2011	FRP408	FDB207
SMR 300 (2T)	300 2005 → 2011	FRP408	FDB2162
400 (4T) MX Cross	400 2002 → 2003	FDB2018	FDB539
400 Cross (4T)	400 1995 → 2000	FDB2018	FDB2005
SM 400	400 2002 → 2003	FRP408	FDB539
SME 400 (4T)	400 2004 → 0000	FRP408	FDB539
SMM 400 (4T) (Rim brake)	400 2004 → 0000		FDB207
EN 450 F (4T)	450 2004 → 0000	FDB2018	FDB539
EN 450 F (4T)	450 2005 → 2012	FDB2018	FDB2162
MX 450 F (4T)	450 2004 → 0000	FDB2018	FDB539
MX 450 F (4T)	450 2005 → 2012	FDB2018	FDB2162
MX 450 F - USA version	450 2005 → 2008	FDB2018	FDB539
SMM 450 Black Dream ES (4T)	450 2005 → 2008		FDB207
SMM 450 F Black Dream ES (320mm front disc)	450 2008 → 2010	FDB2120	FDB207
SMR 450 F (4T)	450 2010 → 2011	FDB2120	FDB2162
SMR 450 FES	450 2005 → 2009	FRP408	FDB2162
SMX 450 F	450 2005 → 2011	FDB2120	FDB2162
SMX 450 F Competition (4T)	450 2005 → 2008	FDB2120	FDB539
530 (4T) Cross	530 2002 → 2003	FRP408	FDB539
530 Cross (4T)	530 1998 → 2000	FDB2018	FDB2005
EN 530 F (4T)	530 2004 → 0000	FDB2018	FDB539
EN 530 F (4T)	530 2005 → 2012	FDB2018	FDB2162
MX 530 F	530 2004 → 0000	FDB2018	FDB539

* It is recommended that in those applications where sintered pads are supplied as Original Equipment, replacement pads should also be of sintered composition.

** To avoid brake imbalance sintered pads fitted in rear calipers should only be used in combination with front calipers containing sintered pads.



CC FROM → TO



NOTES



NOTES

...TM

MX 530 F	530	2005	→	2011	FDB2018	FDB2162
SM 530	530	2002	→	2003	FRP408	FDB539
SME 530 (4T)	530	2004	→	0000	FRP408	FDB539
SMM 530 F Black Dream (Rim brake)	530	2004	→	2007		FDB207
SMM 530 F Black Dream ES (320mm front disc)	530	2008	→	2010	FDB2120	FDB207
SMR 530 F	530	2010	→	2011	FDB2120	FDB2162
SMR 530 F ES	530	2005	→	2009	FRP408	FDB2162
SMX 530 F	530	2005	→	2011	FDB2120	FDB2162
SMX 660 F	660	2004	→	0000	FRP408	FDB539
SMX 660 F	660	2005	→	2010	FDB2120	FDB2162

TOMOS

N 50 AT BT	50	1991	→	2000	FDB436	
REVIVAL	50	2003	→		FDB697	
STREETMATE	50	2003	→		FDB697	
K 83	83		→		FSB902	FSB902
M 83	83		→		FSB902	FSB902

TORNAX

RX 80	80		→		FDB207	
-------	----	--	---	--	--------	--

TRE SOLDI

80	80		→		FSB833	FSB833
CR 80	80	1985	→		FDB207	FDB436
REGOLARITA' 80	80	1986	→	1986	FSB911	FSB904

TRIUMPH

BONNEVILLE 800 / T100	100	2001	→		FDB664	FDB497
T 100	100	1970	→		FSB919	FSB921
T 120	120	1966	→		FSB919	FSB921
T 140	140	1970	→		FSB919	FSB921
T 150	150	1969	→		FSB919	FSB921
BONNEVILLE T 400 V E	400	1982	→	1984 (x2)	FRP213	FDB342
BONNEVILLE T 400 V E	400	2000	→	(x2)	FDB342	FDB342
CUB 500	500		→		FSB916	FSB916
TRIDENT TI 500 V	500	1982	→	1984	FRP213	FDB342
TRIDENT TI 500 V	500	2000	→		FDB342	FDB342
BABY SPEED 600	600	2004	→	(x2)	FDB557	FDB754
DAYTONA 600	600	2003	→	(x2)	FDB557	FDB754
SPEED FOUR 600	600	2002	→	(x2)	FDB557	FDB497
TT 600	600	2000	→	2003 (x2)	FDB557	FDB531
THUNDERBIRD 650	650	1982	→	1984	FRP213	
DAYTONA 675	675	2009	→	2010	FDB2252	FDB531
DAYTONA 675 / Special Edition / Triple	675	2006	→	2008 (x2)	FDB2158	FDB531
DAYTONA 675 R	675	2011	→	(x2)	FDB2260	FDB531
DAYTONA 675 R - Racing Application	675	2011	→	(x2)	FDB2218	FDB531
STREET TRIPLE 675	675	2007	→	(x2)	FDB664	FDB531
STREET TRIPLE 675 R	675	2008	→	(x2)	FDB2158	FDB531
BONNEVILLE 750 TWIN (Brembo calipers)	750	1985	→	1986	FDB148	FDB148
BONNEVILLE 750 TWIN (Lockheed calipers)	750	1975	→	1981	FDB342	FDB342
BONNEVILLE 750 TWIN (Lockheed calipers)	750	1982	→	1984	FRP213	FDB342
DAYTONA 750 SPORT	750	1991	→	1992 (x2)	FDB557	FDB631
TIGER 750 TR 7V	750	1976	→	1981	FRP213	FDB342
TIGER 750 TR 7V	750	2000	→		FDB342	FSB921
TRIDENT 750 (left)	750	1992	→	1998	FDB497	FDB631
TRIDENT 750 (right)	750	1992	→	1998	FDB631	
BONNEVILLE 800 (USA version)	800	2001	→		FDB570	FDB531
TIGER 800	800	2011	→	(x2)	FDB664	FDB531
AMERICA 865	865	2007	→		FDB664	FDB497
America 865	865	2010	→		FDB664	FDB497
BONNEVILLE 865 / California Street Racer / SE	865	2008	→		FDB664	FDB497
BONNEVILLE T100 865 / 50th Anniversary	865	2008	→		FDB664	FDB497
SCRAMBLER 865	865	2006	→		FDB664	FDB497
SPEEDMASTER 865	865	2004	→	(x2)	FDB570	FDB497
T 100 BLACK	865	2012	→		FDB570	FDB497

* It is recommended that in those applications where sintered pads are supplied as Original Equipment, replacement pads should also be of sintered composition.

** To avoid brake imbalance sintered pads fitted in rear calipers should only be used in combination with front calipers containing sintered pads.



CC FROM → TO



NOTES



NOTES

...TRIUMPH

ADVENTURER 900	900	1996	→	2001	FDB570	FDB570
DAYTONA 900	900	1993	→	1996 (x2)	FDB557	FDB631
DAYTONA SPRINT 900	900	1994	→	1998 (x2)	FDB557	FDB631
DAYTONA SPRINT 900 (left)	900	1993	→		FDB497	FDB631
DAYTONA SPRINT 900 (right)	900	1993	→		FDB631	
DAYTONA SUPER III 900	900	1994	→	1997 (x2)	FDB864	FDB631
LEGEND 900 TT	900	1999	→	2001	FDB570	FDB570
SCRAMBLER 900	900	2010	→		FDB664	FDB497
SPEED TRIPLE 900	900	1994	→	(x2)	FDB557	FDB631
THRUXTON 900	900	2004	→	2007	FDB570	FDB497
THRUXTON 900	900	2008	→		FDB664	FDB497
THRUXTON 900 (Front Brembo caliper)	900	2008	→	(x2)	FDB2042	FDB497
THUNDERBIRD 900 / SPORT	900	1995	→	(x2)	FDB570	FDB570
TIGER 900 (left)	900	1993	→	1998 (x2)	FDB497	FDB631
TIGER 900 (right)	900	1993	→	1998 (x2)	FDB631	
TRIDENT 900 SPRINTER (left)	900	1993	→	1998	FDB497	FDB631
TRIDENT 900 SPRINTER (right)	900	1993	→	1998	FDB631	
TROPHY 900	900	1996	→	1998 (x2)	FDB557	FDB631
TROPHY 900 (left)	900	1993	→	1995	FDB497	FDB631
TROPHY 900 (right)	900	1993	→	1995	FDB631	
TIGER 950	950	1999	→	(x2)	FDB570	FDB570
DAYTONA 955i	955	1997	→	2000 (x2)	FDB557	FDB497
DAYTONA 955i	955	2001	→	2004 (x2)	FDB557	FDB531
SPEED TRIPLE 955	955	2002	→	(x2)	FDB557	FDB497
SPRINT RS 955 (from VIN 139277 to 161317) single sided swing arm	955	2003	→	2004 (x2)	FDB557	FDB497
SPRINT RS 955 (from VIN 161318) double sided swing arm	955	2003	→	2004 (x2)	FDB557	FDB497
SPRINT RS 955 (up to VIN 161317) double sided swing arm	955	1999	→	2002 (x2)	FDB557	FDB631
SPRINT ST 955	955	1999	→	2004 (x2)	FDB557	FDB497
DAYTONA 1000 SPORT	1000	1991	→	1992 (x2)	FDB557	FDB631
SPEEDMASTER	1000	2012	→		FDB664	FDB497
SPEED TRIPLE 1050	1050	2004	→	2007 (x2)	FDB2158	FDB497
SPEED TRIPLE 1050	1050	2008	→	(x2)	FDB2120	FDB497
SPEED TRIPLE 1050 Custom	1050	2010	→	(x2)		FDB497
SPEED TRIPLE R 1050	1050	2012	→	(x2)	FDB2218	FDB497
SPEED TRIPLE R 1050	1050	2012	→	(x2)	FDB2260	FDB497
SPRINT GT 1050	1050	2011	→	(x2)	FDB557	FDB497
SPRINT ST 1050 / ABS	1050	2004	→	(x2)	FDB557	FDB497
TIGER SE ABS 1050	1050	2008	→	(x2)	FDB2158	FDB631
TIGER XC	1050	2011	→	(x2)	FDB664	FDB531
DAYTONA 1200	1200	1993	→	1998 (x2)	FDB557	FDB631
TROPHY 1200	1200	1996	→	2001 (x2)	FDB557	FDB631
TROPHY 1200 (left)	1200	1993	→	1995	FDB497	FDB631
TROPHY 1200 (right)	1200	1993	→	1995	FDB631	
THUNDERBIRD 1600 / Storm / SE ABS	1600	2008	→	(x2)	FDB557	FDB2006
ROCKET 2300 /Rocket III Classic / Touring / Roadster	2300	2004	→	(x2)	FDB557	FDB2006

URAL

RETRO 750	750	2005	→		FDB2042	
-----------	-----	------	---	--	---------	--

VALENTI

80	80		→		FSB834	FSB834
125	125		→		FSB833	FSB833

VICTORY

V92C	1500	1998	→		FDB2042	FDB2039
------	------	------	---	--	---------	---------

YAMAHA

50 AEROX LC	50	1997	→		FDB889	FDB2062
50 AXIS	50	1993	→		FDB636	FSB788
50 AXIS PROFOOT	50	1994	→		FDB636	FSB788
50 BELUGA	50	1990	→	1995	FSB738	FSB739
50 BELUGA	50	2000	→		FSB739	FSB739
50 BREEZE	50	1994	→	1996	FDB680	FSB738
50 BW'S	50	1992	→	1994	FSB738	FSB738
50 BW'S / ZUMA II	50	1995	→		FDB680	FSB738

* It is recommended that in those applications where sintered pads are supplied as Original Equipment, replacement pads should also be of sintered composition.

** To avoid brake imbalance sintered pads fitted in rear calipers should only be used in combination with front calipers containing sintered pads.



CC FROM → TO



NOTES



NOTES

...YAMAHA

50 CHAPPY	50	1980	→	FSB732	FSB732
50 FLY ONE	50	1992	→ 1995	FDB383	FSB704
50 GRAFIX	50	1993	→	FSB738	FSB738
50 SPY	50	1996	→ 1998	FDB680	FSB731
50 TRAFIC	50	1993	→	FSB738	FSB738
50 TRUNK	50	1994	→	FDB636	FSB788
50 YAMY	50	1988	→	FSB771	FSB771
50 YAMY ME	50	1988	→	FSB771	FSB771
50 ZUMA	50	1996	→	FDB680	FSB738
CA 50 SALIENT	50	1983	→ 1986	FSB730	FSB739
CR 50 TARGET	50	1991	→	FDB636	FSB731
CR 50 Z	50	1992	→	FDB636	FSB731
CT 50 SUPER SPORT	50	1990	→	FSB731	FSB731
CW 50 RS	50	1995	→	FDB889	FSB738
CY 50 JOG	50	1990	→ 1995	FSB739	FSB738
DT 50	50	1988	→ 1992	FSB738	FSB738
DT 50 LCD	50	1996	→ 1998	FDB2015	FSB731
DT 50 M - MX	50	1978	→ 1987	FSB732	FSB732
DT 50 R	50	1993	→ 1997	FDB383	FSB738
DT 50 R	50	1997	→	FDB697	FSB731
DT 50 R	50	2002	→ 2007	FDB697	FRP405
DT 50 R	50	2008	→	FDB2107	FDB2107
DT 50 R SM	50	2004	→	FDB2106	FDB2128
DT 50 X	50	2008	→	FDB2106	FDB2128
EW 50 SLIDER	50	2000	→ 2003	FDB889	FSB731
FS 1 50 E	50	1974	→ 1975	FSB732	FSB732
FS 1 50 E DX	50	1976	→ 1979		FSB732
FS 1 50 SE	50	1981	→ 1982	FSB732	FSB732
FZR 50	50	1990	→ 1991	FDB631	FDB386
FZR 50	50	1992	→	FDB497	FDB659
JOG 50	50	1990	→	FSB738	FSB738
JOG 50 (Brasil)	50		→		FSB739
JOG 50 (Espana)	50	1988	→	FDB636	FSB739
JOG 50 (Italia)	50	1993	→	FDB636	FSB788
JOG 50 Z (Italia) - R / RR	50	1993	→	FDB889	FSB788
LB 2 50 M CHAPPY	50	1980	→	FSB732	FSB732
LC 50 M	50	1980	→	FSB732	FSB732
LC 50 M BOP	50	1980	→	FSB739	FSB739
MA 50 M	50	1981	→	FSB730	FSB730
MINI 50 L SHAFT	50	1983	→		FSB738
MINT 50	50	1996	→	FSB730	FSB739
MJ 50 M TOWNY	50	1981	→ 1993	FSB730	FSB730
MS 50	50	1985	→ 1986	FSB730	FSB739
PW 50 H - J - K	50	1981	→ 2004	FSB730	FSB730
QA 50 POCKE	50	1983	→	FSB730	FSB730
QB 50 VOGEL	50	1983	→	FSB730	FSB730
QT 50	50	1980	→	FSB730	FSB730
RD 50 M	50	1978	→		FSB732
RD 50 MX	50	1981	→ 1987	FDB277	FSB732
RS 50 CHAMP	50	1988	→	FDB636	FSB739
SA 50 M - ME PASSOLA	50	1980	→ 1984	FSB730	FSB739
SG 50 STING	50	1984	→	FSB739	FSB739
SH 50 RAZZ	50	1993	→	FSB730	FSB739
TDR 50	50	1990	→	FDB383	FDB383
TY 50 M	50	1979	→	FSB732	FSB732
TZM 50 R	50	1994	→	FDB636	FDB383
TZR 50	50	1990	→ 1996	FDB636	FDB383
TZR 50	50	1997	→ 2003	FDB631	
TZR 50 /Race Replica 07	50	2004	→	FDB2106	FRP405
V 50 M	50	1983	→	FSB738	FSB738
V 50 M - P	50	1974	→ 1982	FSB732	FSB732
YE 50 ZEST	50	1992	→	FDB889	FSB731
YE 50 ZEST	50	1993	→ 1995	FDB889	FSB738
YH 50 WHY	50	1999	→	FDB889	FSB731
YN 50 NEO'S / 4T	50	1998	→	FDB889	FSB731
YQ 50 AEROX / AEROX R	50	1998	→	FDB889	FDB2062
YSR 50	50	1986	→ 1987	FDB475	FSB731
YZ 50 G - H - J - K	50	1980	→ 1983	FSB764	FSB764
YSR 60	60	1986	→ 1987	FDB475	FSB731
YZ 60	60	1985	→	FSB764	FSB764
V 70 A	70	1976	→	FSB732	FSB732
80 BELUGA	80	1990	→	FSB738	FSB739

* It is recommended that in those applications where sintered pads are supplied as Original Equipment, replacement pads should also be of sintered composition.

** To avoid brake imbalance sintered pads fitted in rear calipers should only be used in combination with front calipers containing sintered pads.



CC FROM → TO



NOTES



NOTES

...YAMAHA

80 BELUGA	80	2000	→	FSB731	FSB731
BOP 80 2	80	1980	→	FSB732	FSB732
DT 80 (Espana)	80		→	FSB738	FSB738
DT 80 LC	80	1981	→	FSB732	FSB732
DT 80 LC (Espana)	80	1989	→	FDB499	FSB738
DT 80 LC - LC II - N	80	1985	→	FDB475	FSB732
DT 80 LC2	80	1993	→	FDB383	FSB733
DT 80 MX - MX-S	80	1981	→	FSB732	FSB732
FS 80 SE	80	1981	→ 1982	FSB732	FSB732
PW 80	80	1991	→	FSB739	FSB738
PW 80 K	80	1983	→ 1990	FSB764	FSB764
RD 80 AIR COOLED	80	1981	→ 1982	FDB277	FSB732
RD 80 LC1	80	1982	→	FDB311	FSB733
RD 80 LC2 - LCS	80	1982	→	FDB311	FSB732
RD 80 MX	80	1981	→ 1982	FDB277	FSB732
RX 80 SE	80	1982	→	FDB277	FSB732
T 80 TOWNMATE	80	1983	→ 1997	FSB738	FSB738
TDR 80	80	1989	→	FDB475	FDB475
TY 80	80	1977	→	FSB764	FSB732
TY 80	80	1983	→	FSB764	FSB731
TZR 80	80	1992	→	FDB636	FDB383
TZR 80	80	2000	→	FDB386	FSB733
V 80	80	1979	→ 1982	FSB732	FSB732
V 80	80	1983	→	FSB738	FSB738
YSR 80	80	1986	→	FDB475	FSB731
YZ 80	80	1977	→ 1979	FSB764	FSB732
YZ 80	80	1980	→ 1985	FSB764	FSB764
YZ 80	80	1986	→ 1992	FDB2015	FSB764
YZ 80	80	1993	→ 2001	FDB2015	FDB661
YZ 85 LW	85	2002	→ 2012	FDB2015	FDB661
90 AXIS (Brasil)	90		→	FDB636	
CR 90 TARGET	90	1991	→	FDB636	FSB731
JOG 90	90	1990	→ 1994	FDB636	FSB739
JOG 90 (Brasil)	90		→	FDB636	FSB739
TT-R 90	90	2000	→ 2004	FSB764	FSB731
V 90	90	1978	→	FSB732	FSB732
BW' S 100	100	2000	→ 2002	FDB636	FSB947
DT 100	100	1976	→ 1980	FSB732	FSB733
RS 100	100	1975	→ 1977	FSB732	FSB732
RS 100 all models	100	1977	→ 1980		FSB732
RT 100	100	1994	→ 2003	FSB731	FSB731
RX 100	100	1983	→ 1996	FSB738	FSB738
YB 100	100	1978	→ 1981	FSB732	FSB732
YB 100	100	1982	→ 1986	FSB732	FSB731
YB 100	100	1987	→ 1992	FSB731	FSB731
YN 100 NEO'S	100	2000	→ 2003	FDB889	FSB947
YQ 100 AEROX	100	2000	→	FDB889	FSB733
YZ 100 E - F - G - H	100	1978	→ 1981	FSB732	FSB733
YZ 100 J - K	100	1982	→ 1983	FSB731	FSB733
105 CRIPTON	105	1996	→ 1998	FDB2083	FSB738
125 ACTIVE	125	1990	→	FSB733	FSB733
125 BIKAN	125	1991	→	FDB386	FDB337
BL 125 BELUGA	125	1985	→ 1987	FSB733	FSB733
BL 125 BELUGA	125	1988	→ 1992	FSB772	FSB733
BL 125 BELUGA	125	1993	→ 1995	FSB772	FSB947
BW's 125	125	2010	→	FDB2264	FSB967
CYGNUS X 125	125	2004	→ 2011	FDB2224	FSB967
DT 125 (Italia)	125	1986	→ 1987	FDB438	FSB733
DT 125 CHESTERFIELD SCOUT	125	1988	→	FDB592	FSB733
DT 125 CHESTERFIELD SCOUT	125	1989	→	FDB499	FSB733
DT 125 E - LC - MX	125	1974	→ 1984	FSB733	FSB733
DT 125 LC - R	125	1985	→ 1986	FDB475	FSB733
DT 125 LC / R	125	1988	→	FDB475	FDB383
DT 125 LC TENERE	125	1988	→	FDB592	FSB733
DT 125 MX (drum brakes)	125	1992	→	FSB733	FSB733
DT 125 R	125	2000	→ 2003	FDB383	FDB383
DT 125 RE	125	1991	→ 1993	FDB383	FDB383
DT 125 RE	125	2004	→	FDB383	
DT 125 TENERE (Italia)	125	1987	→	FDB438	FSB733
IT 125 G - H - J	125	1980	→ 1982	FSB732	FSB733
MAXTER 125	125	2001	→ 2003	FDB2018	FDB2074
RD 125 DX	125	1975	→ 1977		FSB733

* It is recommended that in those applications where sintered pads are supplied as Original Equipment, replacement pads should also be of sintered composition.

** To avoid brake imbalance sintered pads fitted in rear calipers should only be used in combination with front calipers containing sintered pads.



CC

FROM → TO



NOTES



NOTES

...YAMAHA

RD 125 LC	125	1982 → 1984	FDB311	FSB733
RD 125 LC R	125	1985 → 1987	FDB386	FSB733
RIVA 125 XX	125	1993 →	FSB772	FSB947
RS 125	125	1975 →	FSB734	FSB733
RS 125 DX	125	1976 → 1980		FSB733
SR 125	125	1993 → 1996	FDB311	FSB763
SR 125	125	1997 → 2003	FDB2003	FSB731
SR 125 SE	125	1982 → 1992	FSB733	FSB731
TD 125 R	125	1993 →	FDB383	FDB383
TDR 125	125	1992 →	FDB499	FDB207
TDR 125	125	1993 → 1993	FDB2003	FDB383
TDR 125 (Italia)	125	1990 → 1991	FDB499	FDB314
TDR 125 R	125	1993 → 2003	FDB781	FDB475
TT-R 125	125	2000 →	FSB731	FSB731
TT-R 125 LW	125	2000 → 2012	FDB2015	FSB731
TW 125	125	1998 → 2002	FDB2083	FSB731
TW 125	125	2003 →	FDB2083	
TY 125	125	1982 →	FSB732	FSB733
TZ 125	125	1997 →	FDB557	FDB2194
TZR 125	125	1987 → 1989	FDB386	FSB733
TZR 125	125	1990 → 1992	FDB337	FDB386
TZR 125	125	1993 →	FDB2003	FDB383
TZR 125 (Italia)	125	1991 →	FRP408	FDB207
TZR 125 RED ROCKET	125	1993 →	FRP408	FDB207
VITY 125	125	2008 →	FDB2238	
WR 125	125	1990 →	FDB497	FDB659
WR 125	125	1991 → 1992	FDB497	FDB659
WR 125 R / X	125	2008 →	FDB664	FDB2005
X-CITY 125	125	2008 →	FDB664	FDB2074
X-MAX 125	125	2008 →	FDB2208	FDB2074
XC 125 BELUGA	125	1993 →	FSB772	FSB733
XC 125 CYGNUS	125	1996 → 1997	FDB383	FSB731
XC 125 CYGNUS T	125	1995 →	FSB947	FSB731
XC 125 TR CYGNUS R	125	1998 → 2003	FDB475	
Xenter 125	125	2012 →	FDB2264	FSB967
XN 125 N TEO'S	125	2000 → 2003	FDB889	FSB947
XQ 125 N MAXSTER	125	2001 → 2003	FDB2018	FDB2074
XT 125	125	1976 →	FSB913	FSB738
XT 125 R	125	2008 →	FDB2128	FDB2128
XT 125 X	125	2008 →	FDB677	FDB2128
XV 125 VIRAGO	125	1997 → 2000	FDB2003	FSB947
XVS 125 DRAG STAR	125	2000 →	FDB2003	FSB947
YBR 125	125	2005 → 2007	FDB383	
YBR 125 / Custom	125	2008 →	FDB2238	
YP 125 MAJESTY R	125	1998 → 2000	FDB2018	FSB947
YP 125 MAJESTY R	125	2001 →	FDB2018	FDB2074
YZ 125	125	1985 → 1987	FDB411	FSB737
YZ 125	125	1988 →	FDB411	FDB383
YZ 125	125	1989 →	FDB497	FDB661
YZ 125	125	2003 → 2007	FDB892	FDB2162
YZ 125	125	2008 →	FDB2219	FDB2162
YZ 125 all models	125	1990 → 1997	FDB497	FDB659
YZ 125 all models	125	1998 → 2002	FDB892	FDB539
YZ 125 C - D - E - F - G - H - J	125	1976 → 1982	FSB913	FSB733
YZ 125 K - N - L	125	1983 → 1984	FSB763	FSB737
YZ-R 125	125	2008 →	FDB892	FDB2184
YZF-R 125	125	2008 →	FDB2018	FDB2184
KRIPTON T135FI	135	2008 →	FDB2238	
150 FLY ONE	150	1992 →	FDB383	FSB704
MAXTER 150	150	2001 → 2003	FDB680	FDB2074
Xenter 150	150	2012 →	FDB2264	FSB967
YP 150 MAJESTY	150	2001 → 2003	FDB2018	FDB2074
YZF-R15	150	2011 →	FDB2238	FDB2143
DT 175 MX	175	1974 → 1983	FSB733	FSB733
IT 175 G - H - I	175	1980 → 1982	FSB913	FSB733
TY 175	175	1977 → 1980	FSB732	FSB733
RT 180	180	1990 → 1992	FDB583	FSB733
RT 180	180	1993 → 1994	FDB583	FSB947
RT 180 G	180	1995 → 2000	FDB475	FSB947
XC 180 GYGNUS	180	1983 → 1985	FSB733	FSB734
XC 185 BELUGA	185	1993 →	FSB772	FSB772
DT 200 R	200	1988 → 1991	FDB475	FDB475

* It is recommended that in those applications where sintered pads are supplied as Original Equipment, replacement pads should also be of sintered composition.

** To avoid brake imbalance sintered pads fitted in rear calipers should only be used in combination with front calipers containing sintered pads.



CC FROM → TO



NOTES



NOTES



...YAMAHA

DT 200 WR	200	1991	→		FDB497		FDB659
IT 200	200	1984	→		FSB737		FSB737
RD 200 DX	200	1975	→ 1978				FSB734
RS 200	200	1979	→		FSB734		FSB734
RS 200 C	200	1975	→ 1980				FSB734
SDR 200	200	1987	→ 1989		FDB386		FDB386
TW 200	200	1989	→ 1992		FSB733		FSB731
TW 200	200	1993	→ 2000		FSB947		FSB731
TW 200	200	2001	→ 2003		FDB383		FSB731
TW 200 T/U/W	200	1987	→ 1988		FSB734		FSB732
WR 200 B	200	1991	→ 1994		FDB497		FDB659
BRONCO 225	225	1997	→		FDB2083		
CELLOW 225	225	1997	→		FDB2083		
CELLOW 225	225	2005	→		FDB2208		
SEROW 225 XT	225	1985	→ 1992		FDB383		FSB731
SEROW 225 XT	225	1993	→ 1995		FDB383		FDB659
TT-R 225	225	1999	→ 2002		FDB383		FSB731
XV 240 VIRAGO	240	1991	→ 1992		FDB311		FSB733
XV 240 VIRAGO	240	1992	→ 2000		FDB311		
CYGNUS X 250	250	2007	→		FDB2224		
DT 250 MX	250	1975	→ 1980		FSB767		FSB734
FZR 250	250	1986	→ 1988 (x2)		FDB449		FDB386
FZR 250 R	250	1989	→		FDB605		FDB386
FZX 250 ZEAL	250	1991	→		FDB781		FDB386
IT 250 G	250	1980	→		FSB913		FSB767
IT 250 H - J - K	250	1981	→ 1983		FSB913		FSB734
IT 250 L	250	1984	→		FSB763		FSB734
R1 250 Z	250	1997	→ (x2)		FDB449		FDB386
RD 250 A - B - C	250	1974	→ 1977				FSB735
RD 250 E - F	250	1978	→ 1979		FDB184		FDB184
RD 250 LC	250	1980	→				FSB735
RD 250 LC	250	1981	→ 1983		FDB277		FSB735
RZR 250	250	1990	→ (x2)		FDB386		FDB386
SR 250	250	1987	→		FSB766		FSB733
SR 250 E (España)	250	1990	→ 1994		FDB311		FSB733
SR 250 SE	250	1980	→ 1982		FSB767		FSB733
SRV 250 SOULFULTWIN RENAISSA	250	1992	→ 1997		FDB781		FSB947
TDR 250	250	1988	→ 1992		FDB449		FDB386
TT 250 R	250	1993	→ 1999		FDB497		FDB659
TT 250 S	250	1987	→ 1992		FDB411		FSB733
TT-R 250	250	2000	→		FDB497		FDB539
TY 250 D - E - F - G	250	1977	→ 1980		FSB732		FSB733
TY 250 H	250	1981	→ 1983		FSB913		FSB734
TY 250 R	250	1991	→ 1993		FRP405		FSB732
TY 250 S - RS	250	1984	→ 1990		FSB737		FSB732
TY 250 Z	250	1993	→ 1995		FDB2107		FDB2107
TY 250 Z SCOTTISH	250	1996	→		FDB781		FDB659
TZ 250	250	1985	→		FDB449		FDB386
TZ 250 (Radial Caliper)	250	2002	→ (x2)		FDB557		FDB2194
TZ 250 A - GP	250	1990	→ 2001 (x2)		FDB557		FDB2194
TZ 250 COMPETITION	250	1988	→ (x2)		FDB449		
TZR 250	250	1985	→ 1989		FDB449		FDB386
TZR 250 R	250	1994	→ (x2)		FRP408		FDB2194
TZR 250 R - SP	250	1989	→ 1992 (x2)		FDB557		FDB386
WR 250 F / FN / FT / FV	250	2003	→ 2006		FDB892		FDB2162
WR 250 F / RX	250	2008	→		FDB892		FDB2162
WR 250 FN	250	2001	→ 2002		FDB892		FDB539
WR 250 FW	250	2007	→		FDB892		FDB2162
WR 250 K	250	1998	→		FDB892		FDB539
WR 250 XX (Supermotard)	250	2008	→		FDB570		FDB2162
WR 250 ZD/ZE/ZF	250	1991	→ 1994		FDB497		FDB659
X-CITY 250	250	2008	→		FDB664		FDB2083
X-MAX 250	250	2007	→		FDB2208		FDB2083
XL 250 G	250	1980	→		FSB913		FSB733
XS 250	250	1978	→ 1978		FDB177		FDB177
XS 250 C	250	1980	→		FSB770		FSB736
XS 250 D - E	250	1979	→ 1981		FDB177		FSB736
XS 250 SE - SF SPECIAL	250	1979	→ 1981		FDB184		FSB736
XT 250	250	1980	→		FSB733		FSB733
XT 250 X	250	2008	→		FDB2083		
XV 250 S DRAGSTER	250	2001	→ 2003		FDB2003		FSB947
XV 250 S VIRAGO	250	1995	→ 2000		FDB2003		FSB947

* It is recommended that in those applications where sintered pads are supplied as Original Equipment, replacement pads should also be of sintered composition.

** To avoid brake imbalance sintered pads fitted in rear calipers should only be used in combination with front calipers containing sintered pads.



	CC	FROM → TO		NOTES		NOTES
...YAMAHA						
XV 250 VIRAGO	250	1993 → 1994		FDB311		FSB733
YD 250 S	250	1991 →		FDB337		FSB767
YP 250 A MAJESTY	250	2000 →		FDB2003		FDB2083
YP 250 MAJESTY	250	1996 → 1997		FDB2003		FSB736
YP 250 MAJESTY DX - ABS	250	1998 → 1999		FDB2003		FDB2083
YZ / WR 250	250	2003 → 2007		FDB892		FDB2162
YZ / WR 250	250	2008 →		FDB2219		FDB2162
YZ 250	250	1985 → 1987		FDB411		FSB733
YZ 250	250	1988 →		FDB411		FDB383
YZ 250	250	1989 →		FDB497		FDB661
YZ 250	250	1995 → 1997		FDB497		
YZ 250 A - B	250	1990 → 1992		FDB497		FDB659
YZ 250 D - E - F	250	1976 → 1979		FSB913		FSB767
YZ 250 F	250	2007 →		FDB2219		FDB2162
YZ 250 FN	250	2001 → 2002		FDB892		FDB539
YZ 250 G	250	1980 →		FSB913		FSB733
YZ 250 H	250	1981 →		FSB913		FSB734
YZ 250 J - K - L	250	1982 → 1984		FSB763		FSB733
YZ 250 K/L/M	250	1998 → 2000		FDB892		FDB539
YZ 250 N	250	2001 →		FDB892		FDB539
YZ 250 WRA/WRB	250	1990 → 1994		FDB497		FDB659
VERSITY 300	300	2004 →		FDB2018		FDB2018
RD 350 A - B	350	1974 → 1976				FSB735
RD 350 all models	350	1985 → 1995 (x2)		FDB386		FDB386
RD 350 all models	350	1985 → 1995 (x2)		FDB386		FDB386
RD 350 LC	350	1980 → (x2)				FSB735
RD 350 LC	350	1981 → 1982 (x2)		FDB277		FSB735
RD 350 S	350	1974 → 1976				FSB735
RD 350 YPVS	350	1983 → 1984 (x2)		FDB311		FDB337
TT 350	350	1986 → 1990		FDB411		FSB733
TT 350	350	1991 → 1995		FDB411		FDB383
XT 350	350	1988 → 1990		FDB583		FSB733
XT 350	350	1991 →		FDB583		FSB733
XT 350	350	1992 → 1995		FDB383		FSB733
XT 350 4 VALVES	350	1985 →		FDB311		FSB734
XT 350 4 VALVES	350	1986 → 1987		FDB475		FSB733
XS 360 B	360	1975 → 1975				FSB735
XS 360 C	360	1976 →		FDB177		FDB177
YZ 360	360	1989 →		FDB497		FDB661
400 ARTESIA	400	1991 →		FDB737		FDB383
DT 400 MX	400	1975 → 1977		FSB767		FSB734
FZ 400	400	1986 → (x2)		FDB337		FDB386
FZR 400 R	400	1987 → 1990 (x2)		FDB449		FDB337
FZR 400 RR - SP	400	1991 → 1992 (x2)		FDB605		FDB386
RD 400 E - F	400	1978 →		FDB184		FDB184
SR 400	400	1977 →		FDB177		FDB177
SRX 400	400	1985 → 1986 (x2)		FDB337		FDB386
SRX 400	400	1987 → 1989		FDB449		FDB386
SRX 400	400	1990 → 1996		FDB666		FDB337
WR 400 F	400	1998 →		FDB892		FDB659
WR 400 F	400	1999 → 2001		FDB892		FDB539
XJ 400 DIVERSION - R	400	1991 → 1994		FDB2003		FDB386
XJR 400 R	400	1997 →		FDB2003		FDB337
XS 400	400	1979 → 1979		FDB177		FSB736
XS 400 DOHC	400	1982 →		FDB311		FSB736
XS 400 SE	400	1980 → 1981		FDB184		FSB736
XS 400 SPECIAL	400	1982 →		FDB311		FSB736
XV 400 VIRAGO	400	1988 →		FDB591		FSB765
XVS 400	400	1998 → 1999		FDB781		FSB765
YP 400 MAJESTY	400	2004 →		FDB2003		FDB2200
YP 400 MAJESTY	400	2005 → 2008 (x2)		FDB781		FDB2200
YP 400 MAJESTY	400	2009 → (x2)		FDB781		FDB2005
YZ 400 D - E - F	400	1977 → 1979		FSB913		FSB767
YZ 400 F	400	1998 →		FDB892		FDB539
IT 425 G	425	1980 →		FSB913		FSB767
WR 426 FN	426	2001 → 2002		FDB892		FDB539
YZ 426 FM / FN	426	2000 → 2002		FDB892		FDB539
WR 450 FR/FS	450	2003 →		FDB892		FDB2162
YZ 450 F	450	2003 → 2007		FDB892		FDB2162
YZ 450 F	450	2008 →		FDB2219		FDB2162
IT 465 H - I	465	1981 → 1982		FSB763		FSB734
YZ 465 G - H - J - U	465	1980 →		FSB763		FSB734

* It is recommended that in those applications where sintered pads are supplied as Original Equipment, replacement pads should also be of sintered composition.

** To avoid brake imbalance sintered pads fitted in rear calipers should only be used in combination with front calipers containing sintered pads.



CC

FROM → TO



NOTES



NOTES

...YAMAHA

IT 490 L	490	1983 → 1984		FSB763		FSB733	
YZ 490	490	1985 → 1987		FDB411		FSB734	
YZ 490 J	490	1982 → 1982		FSB763		FSB734	
YZ 490 K - L	490	1983 → 1984		FSB763		FSB733	
IT 500 G - H	500	1980 → 1981		FSB913		FSB767	
RD 500 LC	500	1984 → 1986	(x2)	FDB337		FDB386	
RD 500 YPVS LC	500	1984 → 1987	(x2)	FDB337		FDB386	
SR 500	500	1978 → 1982		FDB177		FSB734	
SR 500	500	1993 →				FSB734	
TT 500 G - H	500	1976 → 1981		FSB913		FSB767	
TX 500	500	1975 → 1977				FSB769	
WR 500 B	500	1991 → 1992		FDB497		FDB383	
WR 500 ZD - ZE	500	1992 → 1993		FDB497		FDB659	
XP 500 T MAX	500	2001 → 2003		FDB781		FDB2126	
XP 500 T MAX	500	2004 → 2007	(x2)	FDB2003		FDB2200	
XP 500 T MAX	500	2008 → 2011	(x2)	FDB605		FDB2200	
XP 500 T MAX SV (Tech Max)	500	2011 →	(x2)	FDB605		FDB2200	
XP 500 T MAX SV ABS (Tech Max)	500	2011 →	(x2)	FDB605		FDB2200	
XS 500 B	500	1975 → 1977				FSB769	
XS 500 C	500	1976 → 1979		FDB177		FDB177	
XT 500	500	1976 → 1981		FSB767		FSB734	
XT 500 (Austria)	500	1983 →		FDB311		FSB734	
XP 530 T MAX	530	2012 →	(x2)	FDB605		FDB2126	
XP 530 T MAX ABS	530	2012 →	(x2)	FDB605		FDB2126	
XV 535 VIRAGO	535	1987 → 1994		FDB591		FSB765	
XV 535 VIRAGO	535	1995 → 1998		FDB781		FSB765	
XJ 550	550	1981 → 1984	(x2)	FDB277		FSB769	
XT 550	550	1982 → 1983		FSB734		FSB734	
XZ 550	550	1982 → 1984	(x2)	FDB311		FSB769	
XZ 550 S	550	1984 → 1986	(x2)	FDB311		FSB769	
600 DIVERSION	600	1992 → 1997		FDB781		FDB386	
FZ 600	600	1987 → 1988	(x2)	FDB337		FDB386	
FZ6 600 / FZ6 600 FAZER ABS	600	2004 →	(x2)	FDB2003		FDB754	
FZ6 600 S2 / FZ6 600 FAZER S2 ABS	600	2007 →	(x2)	FDB605		FDB754	
FZR 600	600	1989 →	(x2)	FDB337		FDB337	
FZR 600 R	600	1990 →	(x2)	FDB666		FDB337	
FZR 600 R	600	1991 → 1995	(x2)	FDB637		FDB337	
FZS 600 FAZER	600	1999 → 2003		FDB605		FDB386	
SRX 600	600	1985 → 1986	(x2)	FDB386		FDB386	
SRX 600	600	1987 → 1989	(x2)	FDB449		FDB386	
SRX 600 (Espana)	600	1985 →	(x2)	FDB386		FDB386	
TT 600	600	1987 → 1992		FDB475		FSB733	
TT 600	600	1993 →		FDB2018		FDB659	
TT 600 L	600	1983 → 1984		FSB763		FSB733	
TT 600 N	600	1985 → 2000		FDB411		FSB733	
TT 600 N	600	1985 → 1988		FDB311		FSB734	
TT 600 R	600	1998 → 1999		FDB2018		FDB2005	
TT 600 R (SPORTKIT)	600	1994 → 1997		FDB2018		FDB659	
TT 600 RE	600	2004 →		FDB2018		FDB2005	
TT-R 600 R	600	2000 → 2003		FDB2018		FDB2005	
XJ 600 RADIAN	600	1984 → 1991	(x2)	FDB337		FDB337	
XJ 600 S	600	1992 → 1997		FDB781		FDB386	
XJ 600 S	600	1998 → 2003		FDB2003		FDB386	
XJ6 /ABS	600	2013 →	(x2)	FDB2003		FDB754	
XJ6 ABS SP	600	2013 →	(x2)	FDB2003		FDB754	
XJ6 Diversion /ABS / F ABS	600	2008 →	(x2)	FDB2003		FDB754	
XT 600 4 VALVES	600	1984 → 1985		FDB311		FSB734	
XT 600 4 VALVES	600	1986 → 1986		FDB583		FSB733	
XT 600 4 VALVES	600	1987 → 1989		FDB583		FDB475	
XT 600 E - K	600	1991 → 1994		FDB737		FDB383	
XT 600 E - K	600	1995 → 2003		FDB737		FDB383	
XT 600 Z TENERE	600	1983 → 1984		FDB311		FSB734	
XT 600 Z TENERE	600	1985 → 1987		FDB583		FSB733	
XT 600 Z TENERE	600	1988 → 1990		FDB583		FDB475	
XT 600 Z TENERE	600	1991 →		FDB737		FDB383	
YZF 600 R	600	2000 →	(x2)	FDB666		FDB337	
YZF 600 R THUNDERCAT	600	1995 → 1998		FDB605		FDB337	
YZF 600 R6	600	1999 → 2002		FDB605		FDB2083	
YZF 600 R6	600	2003 →	(x2)	FDB605		FDB754	
KJ 650	650	1980 →	(x2)	FDB177		FSB765	
XJ 650 TURBO	650	1983 →	(x2)	FDB311		FSB765	
XS 650	650	1975 → 1976	(x2)			FSB735	

* It is recommended that in those applications where sintered pads are supplied as Original Equipment, replacement pads should also be of sintered composition.

** To avoid brake imbalance sintered pads fitted in rear calipers should only be used in combination with front calipers containing sintered pads.



CC FROM → TO



NOTES



NOTES

...YAMAHA

XS 650	650	1977	→	1981	(x2)	FDB177		FSB735
XS 650 SE	650	1979	→	1980		FDB177		FDB177
XS 650 SE	650	1981	→			FDB177		FSB735
XVS 650 A DRAG STAR CLASSIC	650	1998	→			FDB781		FSB765
XVS 650 DRAG STAR	650	1997	→			FDB781		FSB765
MT-03 660	660	2006	→	2007	(x2)	FDB2003		FDB754
MT-03 660	660	2008	→		(x2)	FDB2003		FDB2005
SZR 660	660	1996	→	1997		FRP408		FDB207
XT 660 R	660	2004	→			FDB2006		FDB2005
XT 660 X MOTARD	660	2005	→			FDB2042		FDB2005
XT 660 Z TENERE	660	2008	→		(x2)	FDB2018		FDB2005
XTZ 660 TENERE	660	1991	→	1998		FDB737		FDB383
FZ 750	750	1985	→	1986	(x2)	FDB337		FDB337
FZ 750 GENESIS	750	1987	→	1988	(x2)	FDB337		FDB337
FZR 750 (O W01)	750	1989	→	1991	(x2)	FDB557		FDB337
FZR 750 GENESIS	750	1987	→		(x2)	FDB662		FDB337
FZX 750	750	1987	→		(x2)	FDB337		FDB337
XJ 750	750	1982	→	1984		FDB277		FSB765
XJ 750 F	750	1984	→		(x2)	FDB337		FDB337
XS 750	750	1977	→	1979	(x2)	FDB177		FDB177
XS 750 SE - SG	750	1979	→	1980		FDB247		FDB177
XTZ 750 SUPER TENERE (left)	750	1989	→		(x2)	FDB497		
XTZ 750 SUPER TENERE (right)	750	1989	→		(x2)	FDB631		FDB631
XV 750	750	1989	→	1993	(x2)	FDB337		FSB769
XV 750 SE	750	1981	→			FDB247		FSB769
XV 750 VIRAGO	750	1994	→	1997	(x2)	FDB781		FSB769
YZF 750 R7 (OW02)	750	1999	→	2001	(x2)	FDB605		FDB2084
YZF 750 RR-SP	750	1993	→	1998	(x2)	FDB864		FDB337
FAZER 8 / ABS	800	2010	→		(x2)	FDB605		FDB754
FZ8	800	2010	→		(x2)	FDB605		FDB754
FZ8 ABS	800	2013	→		(x2)	FDB605		FDB754
TDM 850	850	1991	→	1995	(x2)	FDB449		FDB337
TDM 850	850	1996	→	2001	(x2)	FDB662		FDB337
TRX 850	850	1995	→	1999	(x2)	FDB449		FDB337
XS 850	850	2000	→		(x2)	FDB177		FDB177
XS 850 (left)	850	1980	→	1982	(x2)	FDB247		FDB177
XS 850 (right)	850	1980	→	1982	(x2)	FDB184		FDB177
TDM 900	900	2002	→		(x2)	FDB605		FDB2156
XJ 900	900	1983	→	1984	(x2)	FDB337		FDB337
XJ 900 F	900	1985	→	1994	(x2)	FDB337		FDB337
XJ 900 F DIVERSION	900	1995	→		(x2)	FDB662		FDB337
XJ 900 SECA DIVERSION	900	1995	→	2003	(x2)	FDB781		FDB337
XVS 950 A Midnight Star	950	2008	→		(x2)			FDB2156
FZ1 1000 / FZ1 1000 Fazer ABS / FZ1 ABS	1000	2006	→		(x2)	FDB605		FDB754
FZR 1000 EX-UP	1000	1991	→	1993	(x2)	FDB637		FDB337
FZR 1000 GENESIS - EX-UP	1000	1986	→	1988	(x2)	FDB449		FDB337
FZR 1000 GENESIS - EX-UP	1000	1994	→	1995	(x2)	FDB864		FDB337
FZR 1000 R	1000	1994	→	1995	(x2)	FDB864		FDB337
FZR 1000 R - EX-UP	1000	1989	→	1990	(x2)	FDB666		FDB337
FZS 1000 FAZER	1000	2001	→	2005	(x2)	FDB605		FDB2150
GTS 1000	1000	1993	→	1999		FDB865		FDB337
XV 1000 SE MIDNIGHT SPECIAL	1000	1983	→			FDB277		FSB765
XV 1000 TR 1	1000	1981	→		(x2)	FDB177		FSB765
XV 1000 VIRAGO	1000	1986	→	1988	(x2)	FDB337		FSB765
YZF 1000 R1	1000	1998	→	2001	(x2)	FDB605		FDB2084
YZF 1000 R1	1000	2002	→	2003	(x2)	FDB605		FDB2083
YZF 1000 R1	1000	2004	→	2006	(x2)	FDB605		FDB754
YZF 1000 R1	1000	2007	→		(x2)	FDB2217		FDB754
YZF 1000 THUNDERACE	1000	1996	→	2001	(x2)	FDB605		FDB337
BT 1100 BULLDOG	1100	2002	→		(x2)	FDB605		FDB337
FJ 1100 J	1100	1984	→	1985	(x2)	FDB337		FDB337
XS 1100	1100	1978	→	1980	(x2)	FDB177		FDB177
XS 1100 S	1100	1981	→		(x2)	FDB277		FDB177
XV 1100 VIRAGO	1100	1989	→	1993	(x2)	FDB337		FSB765
XV 1100 VIRAGO	1100	1994	→	1998	(x2)	FDB781		FSB765
XVS 1100 DRAG STAR / CLASSIC	1100	1999	→		(x2)	FDB2003		FDB337
FJ 1200	1200	1986	→	1987	(x2)	FDB337		FDB337
FJ 1200	1200	1988	→	1989	(x2)	FDB662		FDB337
FJ 1200	1200	1999	→		(x2)	FDB2003		FDB337
FJ 1200 ABS	1200	1991	→	1995	(x2)	FDB662		FDB337
FJ 1200 W - WC	1200	1989	→	1991	(x2)	FDB449		FDB337
XJR 1200	1200	1994	→		(x2)	FDB662		FDB337

* It is recommended that in those applications where sintered pads are supplied as Original Equipment, replacement pads should also be of sintered composition.

** To avoid brake imbalance sintered pads fitted in rear calipers should only be used in combination with front calipers containing sintered pads.

1080



CC FROM → TO



NOTES



NOTES

...YAMAHA

XJR 1200	1200	1995 → 1998	(x2) FDB2042	FDB337
XT 1200 Z Supertenerè ABS	1200	2010 →	(x2) FDB605	FDB2156
XVZ 1200 12 T TD	1200	1985 → 1987	(x2) FDB337	FDB337
YMX 1200 12N V - MAX	1200	1993 → 2003	(x2) FDB666	FDB337
YMX 1200 12N V - MAX	1200	2000 →	(x2) FDB337	FDB337
FJR 1300	1300	2001 → 2002	(x2) FDB605	FDB2126
FJR 1300/FJR 1300 A	1300	2003 → 2005	(x2) FDB605	FDB2156
FJR 1300/FJR 1300 A/FJR 1300 AS	1300	2006 →	(x2) FDB2085	FDB2156
XJR 1300	1300	2002 →	(x2) FDB605	FDB2150
XJR 1300 / SP	1300	1999 → 2001	(x2) FDB605	FDB337
XVS 1300 A Midnight Star	1300	2008 →	(x2) FDB2003	FDB2156
XVZ 1300 AH/ATH ROYAL STAR	1300	1996 → 2001	(x2) FDB662	FDB449
XVZ 1300 TF VENTURE STAR	1300	1999 → 2001	(x2) FDB781	FDB449
XV 1600 A WILD STAR	1600	1999 →	(x2) FDB781	FDB449
MT-01 1670	1670	2005 → 2006	(x2) FDB605	FDB570
MT-01 1670	1670	2007 →	(x2) FDB2217	FDB570
V-MAX	1680	2008 →	(x2) FDB2217	FDB2156
XV 1700 ROYAL STAR WARRIOR	1700	2002 →	(x2) FDB605	FDB2156
XV 1900 A MIDNIGHT STAR	1900	2006 →	(x2) FDB605	FDB2156

ZUNDAPP

KS 50 SPORT	50	→	FDB213	FSB835
KS 50 SUPER SPORT	50	→	FDB213	FSB835
K 80	80	1980 →	FDB205	
KS 80	80	1980 →	FDB205	
KS 80 SUPER	80	1980 →	FDB207	
KS 80 TOURING K	80	1982 →	FDB436	
KS 80 TOURING L	80	1982 →	FDB436	
KS 100	100	→	FDB213	FSB835
KS 125	125	1980 →	FDB205	
KS 125	125	1982 →	FDB108	
KS 175	175	1982 →	FDB108	
SUPER COMBINETTE 429	429	→	FSB836	FSB836
SUPER COMBINETTE 433	433	→	FSB836	FSB836
FALCONETTE 435	435	→	FSB836	FSB836
KS 50 500	500	→	FSB836	FSB836
KS 75 500	500	→	FSB836	FSB836

* It is recommended that in those applications where sintered pads are supplied as Original Equipment, replacement pads should also be of sintered composition.

** To avoid brake imbalance sintered pads fitted in rear calipers should only be used in combination with front calipers containing sintered pads.

FERODO™

MOTORCYCLE PADS



ATV/Snowmobile Applications

FERODO™

MOTORCYCLE PADS



CC

FROM -> TO



NOTES



NOTES

ADLY ATV

300 Utility	300	2006	-	(x2)	FDB313	FDB313
Interceptor 300	300	2006	-	(x2)	FDB313	FDB313

ARCTIC CAT ATV

F-series Diamond Drive		2005	-		FDB2214	
50 DVX (4T)	50	2006	- 2008	(x2)	FSB753	FDB2096
50 Utility	50	2006	- 2008	(x2)	FSB753	FDB2096
50-Y6 Youth (2T)	50	2004	- 2006	(x2)	FSB753	FSB760
90 DVX	90	2006	- 2010	(x2)	FSB753	FDB2096
90 Utility (2 x 4)	90	2006	- 2010	(x2)	FSB753	FDB2096
90-Y12 Youth (2T-4T)	90	2002	- 2005	(x2)	FSB753	FSB966
150 Utility 2x4	150	2009	- 2010	(x2)	FSB753	FDB2096
250 (2x4/4x4)	250	1999	- 2004	(x2)	FDB2175	FDB2175
250 DVX	250	2006	- 2008	(x2)	FDB2184	FDB2141
250 Utility 2 x 4	250	2006	- 2009	(x2)	FDB2184	FDB2184 (x2)
300 (2x4/4x4)	300	1998	- 2004	(x2)	FDB2175	FDB2175
300 DVX	300	2009	- 2010	(x2)	FDB2184	FDB2141 (x2)
375 (Auto)	375	2001	-	(x2)	FDB2175	FDB2175
400 (2x4/4x4)	400	1998	- 2004	(x2)	FDB2175	FDB2175
400 DVX	400	2004	- 2008	(x2)	FDB381	FDB2016
440 (4x4)	440	2002	- 2003	(x2)	FDB2175	FDB2175
BEAR CAT 450 (2x4/4x4)	450	1996	- 1997	(x2)	FDB2175	FDB2175
BEAR CAT 454 (2x4/4x4)	454	1996	- 2000	(x2)	FDB2175	FDB2175
500 (4x4,Manual,Auto)	500	1998	- 2004	(x2)	FDB2175	FDB2175

BOMBARDIER ATV

DS 50 (2 STROKE)	50	2002	- 2006	(x2)	FSB753	FSB713
QUEST 50	50	2003	- 2004	(x2)	FSB753	FSB713
DS 90 (2 STROKE / 4 STROKE)	90	2002	- 2006	(x2)	FSB753	FSB713
QUEST 90 (2 STROKE / 4 STROKE)	90	2003	- 2004	(x2)	FSB753	FSB713
RALLY 200	200	2003	- 2007	(x2)	FDB313	
DS 250	250	2006	- 2007	(x2)	FDB2184	FDB2184
OUTLANDER 330 HO (left)	330	2004	- 2005		FDB2148	FDB2148
OUTLANDER 330 HO (right)	330	2004	- 2005		FDB2149	
Outlander 400 (STD/MAX HO) (Right)	400	2003	- 2006		FDB2149	
Outlander 400 (STD/MAX HO) Left	400	2003	- 2006		FDB2148	FDB2148
QUEST 500 (2x4/4x4) (left)	500	2002	- 2004		FDB2148	FDB2149
QUEST 500 (2x4/4x4) (right)	500	2002	- 2004		FDB2149	
TRAXTER 500 (4x4/XL/Autoshift)	500	1999	- 2001	(x2)	FDB2074	FDB2074
TRAXTER 500 (4x4/XL/Autoshift) (left)	500	2001	- 2005		FDB2148	FDB2149
TRAXTER 500 (4x4/XL/Autoshift) (right)	500	2001	- 2005		FDB2149	
DS 650 (BAJA/X) (left)	650	2000	- 2006		FDB2148	FDB2148
DS 650 (BAJA/X) (right)	650	2000	- 2006		FDB2149	
Outlander 650 HO Efi (4x4/XT/Max) (Left)	650	2006	-		FDB2148	FDB2148
Outlander 650 HO Efi (4x4/XT/Max) (Right)	650	2006	-		FDB2149	
Quest 650 (2x4/4x4/XT/Max) (Left)	650	2002	- 2005		FDB2148	FDB2149
Quest 650 (2x4/4x4/XT/Max) (Right)	650	2002	- 2005		FDB2149	
TRAXTER 650 (Max/XT-4x4/Footshift) (Left)	650	2001	- 2005		FDB2148	FDB2149
TRAXTER 650 (Max/XT-4x4/Footshift) (Right)	650	2001	- 2005		FDB2149	
Traxter 650 (XT-4x4/Footshift)	650	2000	-	(x2)	FDB2074	FDB2074
Outlander 800 (All models) (Left)	800	2006	-		FDB2148	FDB2148
Outlander 800 (All models) (Right)	800	2006	-		FDB2149	
TRAXTER 1000 XL (Left)	1000	2004	-		FDB2148	FDB2149
TRAXTER 1000 XL (Right)	1000	2004	-		FDB2149	

CAN AM ATV

DS 70 (2x4/4T) Mini	70	2008	-	(x2)	FSB753	FSB966
DS 90 Mini 4 Stroke	90	2007	-	(x2)	FSB753	FSB713
DS 90 X (2x4/4T)	90	2008	- 2010	(x2)	FDB313	FDB313
Rally 200	200	2007	-	(x2)	FDB313	FDB2148
DS 250	250	2007	- 2009	(x2)	FDB2184	FDB2184
Outlander 400 (STD/XT/EFI 4x4) (Left)	400	2007	- 2010		FDB2148	FDB2148
Outlander 400 (STD/XT/EFI 4x4) (Right)	400	2007	- 2010		FDB2149	
Outlander Max 400 (STD/XT 4x4) (Left)	400	2007	- 2010		FDB2148	FDB2148
Outlander Max 400 (STD/XT 4x4) (Right)	400	2007	- 2010		FDB2149	
DS 450 (2x4/EFI)	450	2008	- 2012		FDB2271	FDB2272
DS 450 X (2x4/EFI)	450	2008	- 2009		FDB2271	FDB2272

* It is recommended that in those applications where sintered pads are supplied as Original Equipment, replacement pads should also be of sintered composition.

** To avoid brake imbalance sintered pads fitted in rear calipers should only be used in combination with front calipers containing sintered pads.

2000



CC

FROM → TO



NOTES



NOTES

...CAN AM ATV

DS 450 Xxc/Xxm	450	2009 → 2012	FDB2271	FDB2272
Outlander 500 (STD/XT 4x4) (Left)	500	2007 → 2010	FDB2148	FDB2148
Outlander 500 (STD/XT 4x4) (Right)	500	2007 → 2010	FDB2149	
Outlander 500 4 x 4 (STD/DPS/XT) - left side	500	2013 →	FDB2274	
Outlander 500 4 x 4 (STD/DPS/XT) - right side	500	2013 →	FDB2273	FDB2273
Outlander Max 500 (STD/XT 4x4) (Left)	500	2007 → 2010	FDB2148	FDB2148
Outlander Max 500 (STD/XT 4x4) (Right)	500	2007 → 2010	FDB2149	
Outlander Max 500 4 x 4 (STD/DPS/XT) - left side	500	2013 →	FDB2274	
Outlander Max 500 4 x 4 (STD/DPS/XT) - right side	500	2013 →	FDB2273	FDB2273
Renegade 500 (4x4/EFI) (Left)	500	2008 → 2010	FDB2148	FDB2148
Renegade 500 (4x4/EFI) (Right)	500	2008 → 2010	FDB2149	
Renegade 500 (STD) - left side	500	2012 → 2013	FDB2274	
Renegade 500 (STD) - right side	500	2012 → 2013	FDB2273	FDB2273
DS 650 X (Left)	650	2007 →	FDB2148	FDB2148
DS 650 X (Right)	650	2007 →	FDB2149	
Outlander 650 (STD/XT 4x4) (Left)	650	2007 → 2010	FDB2148	FDB2148
Outlander 650 (STD/XT 4x4) (Right)	650	2007 → 2010	FDB2149	
Outlander 650 4 x 4 (STD/DPS/XT) - left side	650	2013 →	FDB2274	
Outlander 650 4 x 4 (STD/DPS/XT) - right side	650	2013 →	FDB2273	FDB2273
Outlander Max 650 (STD/XT 4x4) (Left)	650	2007 → 2010	FDB2148	FDB2148
Outlander Max 650 (STD/XT 4x4) (Right)	650	2007 → 2010	FDB2149	
Outlander 800 (STD/XT 4x4) (Left)	800	2007 → 2008	FDB2148	FDB2148
Outlander 800 (STD/XT 4x4) (Right)	800	2007 → 2008	FDB2149	
Outlander 800 R (EFI/XT) (Left)	800	2009 → 2010	FDB2148	FDB2148
Outlander 800 R (EFI/XT) (Right)	800	2009 → 2010	FDB2149	
Outlander 800 R 4 x 4 (STD/DPS/XT/XT-P) - left side	800	2013 →	FDB2274	
Outlander 800 R 4 x 4 (STD/DPS/XT/XT-P) - right side	800	2013 →	FDB2273	FDB2273
Outlander 800 R STD - left side	800	2012 →	FDB2274	
Outlander 800 R STD - right side	800	2012 →	FDB2273	FDB2273
Outlander 800 R XT - left side	800	2012 → 2013	FDB2274	
Outlander 800 R XT - right side	800	2012 → 2013	FDB2273	FDB2273
Outlander Max 800 (Ltd/STD/XT 4x4) (Left)	800	2007 → 2008	FDB2148	FDB2148
Outlander Max 800 (Ltd/STD/XT 4x4) (Right)	800	2007 → 2008	FDB2149	
Outlander Max 800 R (EFI/XT) (Left)	800	2009 → 2010	FDB2148	FDB2148
Outlander Max 800 R (EFI/XT) (Right)	800	2009 → 2010	FDB2149	
Renegade 800 (4x4/EFI) (STD/X) (Left)	800	2007 → 2008	FDB2148	FDB2148
Renegade 800 (4x4/EFI) (STD/X) (Right)	800	2007 → 2008	FDB2149	
Renegade 800 R (EFI/X) (Left)	800	2009 → 2010	FDB2148	FDB2148
Renegade 800 R (EFI/X) (Right)	800	2009 → 2010	FDB2149	
Renegade 800 R STD - left side	800	2012 → 2013	FDB2274	
Renegade 800 R STD - right side	800	2012 → 2013	FDB2273	FDB2273
Renegade 800 R Xxc - left side	800	2012 → 2013	FDB2274	FDB2274
Renegade 800 R Xxc - right side	800	2012 → 2013	FDB2273	FDB2273
Outlander 1000 4 x 4 (DPS/XT/XT-P) - left side	1000	2013 →	FDB2274	
Outlander 1000 4 x 4 (DPS/XT/XT-P) - right side	1000	2013 →	FDB2273	FDB2273
Outlander 1000 4 x 4 (LTD) - left side	1000	2013 →	FDB2274	
Outlander 1000 4 x 4 (LTD) - right side	1000	2013 →	FDB2273	FDB2273
Outlander 1000 4 x 4 (XMR) - left side	1000	2013 →	FDB2274	
Outlander 1000 4 x 4 (XMR) - right side	1000	2013 →	FDB2273	FDB2273
Outlander 1000 STD - left side	1000	2012 → 2013	FDB2274	FDB2274
Outlander 1000 STD - right side	1000	2012 → 2013	FDB2273	FDB2273
Outlander 1000 XT - left side	1000	2013 →	FDB2274	FDB2274
Outlander 1000 XT - right side	1000	2013 →	FDB2273	FDB2273
Outlander Max 1000 4 x 4 (DPS/XT/XT-P) - left side	1000	2013 →	FDB2274	
Outlander Max 1000 4 x 4 (DPS/XT/XT-P) - right side	1000	2013 →	FDB2273	FDB2273
Renegade 1000 STD - left side	1000	2013 →	FDB2274	FDB2274
Renegade 1000 STD - right side	1000	2013 →	FDB2273	FDB2273
Renegade 1000 Xxc - left side	1000	2013 →	FDB2274	FDB2274
Renegade 1000 Xxc - right side	1000	2013 →	FDB2273	FDB2273

CANNONDALE ATV

CANNIBAL 400 BLACK / SILVER (left)	400	2002 → 2003	FDB2148	FDB2148
CANNIBAL 400 BLACK / SILVER (right)	400	2002 → 2003	FDB2149	
FX 400 (left)	400	2001 →	FDB2149	
FX 400 (right)	400	2001 →	FDB2148	FDB2148
BLAZE 440 (left)	440	2002 → 2003	FDB2148	FDB2148
BLAZE 440 (right)	440	2002 → 2003	FDB2149	
GLAMIS 440 (left)	440	2003 →	FDB2148	FDB2148
GLAMIS 440 (right)	440	2003 →	FDB2149	
MOTO 440 (left)	440	2002 → 2003	FDB2148	FDB2148
MOTO 440 (right)	440	2002 → 2003	FDB2149	

* It is recommended that in those applications where sintered pads are supplied as Original Equipment, replacement pads should also be of sintered composition.

** To avoid brake imbalance sintered pads fitted in rear calipers should only be used in combination with front calipers containing sintered pads.



CC

FROM → TO



NOTES



NOTES

CANNONDALE ATV

SPEED 440 (left)	440	2002 → 2003	FDB2148	FDB2148
SPEED 440 (right)	440	2002 → 2003	FDB2149	

CPI ATV

250 XS	250	2006 →	FDB2184	FDB631
--------	-----	--------	---------	--------

DINLI ATV

Diamond Back 90	90	2006 →		FDB313
-----------------	----	--------	--	--------

E-TON ATV

IXL 40 Rascal	40	1998 → 2001		FSB713
RXL-40E Viper Junior	40	2001 → 2006		FSB713
Viper 40 E	40	1999 → 2008		FSB713
AXL 50 Lightning 50	50	1999 → 2000 (x2)	FSB756	
BXL-50 Draco	50	2005 → 2006 (x2)	FSB756	FDB313
NXL 50 Lightning 50	50	2001 → 2002 (x2)	FSB756	
TXL 50 Wizz 50	50	1998 → 1999 (x2)	FSB756	
Viper 50 Mini RXL 50 M (4T)	50	2003 → 2008		FDB313
Viper 50 RXL 50	50	2003 → 2006		FDB313
Viper 70 RLX 70/70M (2T/4T)	70	2005 → 2009 (x2)	FSB756	FDB313
AXL 90 Thunder	90	1999 → 2000 (x2)	FSB756	FSB713
DXL-90 Sierra	90	1999 → 2003 (x2)	FSB727	FSB713
NXL 90 Thunder	90	2001 → 2002 (x2)	FSB756	FSB713
RXL 90 R Viper 90 R Reverse (2T/4T)	90	2003 → 2009 (x2)	FSB756	FDB313
RXL 90 Viper 90	90	2003 → 2006 (x2)	FSB756	FDB313
BXL 100 Draco	100	2005 → 2006 (x2)	FSB756	FDB313
CXL 150 Yukon II/Challenger	150	2002 → 2009 (x2)	FSB704	FDB631
RXL 150 Viper	150	2005 → 2006 (x2)	FSB704	FDB631
RXL 150 Viper R	150	2005 → 2009 (x2)	FSB704	FDB631
Viper EXL 150 ST Quad	150	2005 → 2006 (x2)	FDB313	FSB713
Yukon ELX 150	150	2005 → 2006 (x2)	FDB313	FSB713
YXL 150 Yukon	150	2000 → 2002 (x2)	FSB704	FSB713
Vector VXL 250 ST Quad	250	2006 → 2009 (x2)	FDB313	FDB313

GASGAS ATV

WILD HP 50	50	2002 → 2005 (x2)	FDB2018	FDB2018
HP 125	125	2007 → 2008 (x2)	FDB2018	FDB2018
HP 200	200	2008 → (x2)	FDB2018	FDB2018
WILD HP 240	240	2002 → 2005 (x2)	FDB2018	FDB2018
WILD HP 250	250	2008 → (x2)	FDB2018	FDB2018
HP 300 RV	300	2006 → (x2)	FDB2018	FDB2018
WILD HP 300	300	2002 → 2005 (x2)	FDB2018	FDB2018
WILD HP 450	450	2002 → 2008 (x2)	FDB2018	FDB2018
WILD HP 515	515	2009 → (x2)	FDB2018	FDB2018

HONDA 3 WHEELERS

ATC 70	70	1976 → 1977		FSB704
ATC 70	70	1978 → 1985		FSB706
ATC 90	90	1973 → 1978		FSB760
ATC 110	110	1979 → 1985		FSB760
ATC 125	125	1984 → 1987	FSB704	FSB760
ATC 185	185	1980 → 1983	FSB704	FSB760
ATC 200 (Drum Brake)	200	1981 → 1986	FSB704	FSB760
ATC 200 X (Disc Brake)	200	1983 → 1987	FDB381	FDB381
ATC 250 R	250	1981 → 1982	FDB250	FSB760
ATC 250 R	250	1983 → 1984	FDB381	FDB381
ATC 250 R	250	1985 → 1986	FDB382	FDB382
ATC 250 SX / ES BIG RED	250	1985 → 1987	FSB760	FSB742
ATC 350 X	350	1985 → 2000	FDB382	FDB381
ATC 350 X	350	1986 → 2000	FDB495	FDB381

* It is recommended that in those applications where sintered pads are supplied as Original Equipment, replacement pads should also be of sintered composition.

** To avoid brake imbalance sintered pads fitted in rear calipers should only be used in combination with front calipers containing sintered pads.

2002



CC

FROM → TO



NOTES



NOTES

HONDA ATV

TRX 70 Fourtrax	70	1986 → 1987	(x2)	FSB753	FSB713
TRX 90 (Fourtrax/Sportrax/EX/X)	90	1993 → 2009	(x2)	FSB704	FSB760
TRX 125 Fourtrax	125	1985 → 1988	(x2)	FSB704	FSB760
TRX 200 (Fourtrax/SX Fourtrax/D Type II Fourtrax)	200	1986 → 1998	(x2)	FSB945	FSB760
TRX 200 Fourtrax	200	1984 →	(x2)	FSB925	FSB760
FL 250 ODYSSEY	250	1977 → 1984	(x2)		FSB760
TRX 250 D RECON/TE-TEA Recon ES/TM-TMA Recon	250	1997 → 2010	(x2)	FSB945	FSB755
TRX 250 Drum Brake	250	1985 → 1987	(x2)	FSB925	FSB742
TRX 250 EX Fourtrax/Sportrax/X/XA	250	2001 → 2010	(x2)	FDB381	FSB755
TRX 250 Fourtrax	250	1985 → 1987	(x2)	FSB925	FSB742
TRX 250 R Fourtrax	250	1986 → 1989	(x2)	FDB495	FDB382
TRX 250 X Fourtrax	250	1987 → 1992	(x2)	FDB381	FDB381
TRX 300 (2WD) Fourtrax	300	1988 → 2000	(x2)	FSB945	FSB742
TRX 300 (4WD) FW Fourtrax	300	1988 → 2000	(x2)	FSB931	FSB742
TRX 300 EX Fourtrax	300	1993 → 2008	(x2)	FDB381	FDB381
TRX 300 X	300	2009 →	(x2)	FDB381	FDB381
FL 350 R ODYSSEY	350	1985 → 1990	(x2)	FSB925	
TRX 350 TM/TE/FE/FM Fourtrax Rancher	350	2000 → 2007	(x2)	FSB931	FSB946
TRX 350/TRX 350D Fourtrax/Foreman	350	1986 → 1989	(x2)	FSB944	FSB761
FL 400 R Pilot	400	1989 → 1990	(x2)	FSB925	
TRX 400 Fourtrax Rancher	400	2004 → 2007	(x2)	FSB931	FSB946
TRX 400 EX Fourtrax/Sportrax	400	1999 → 2008	(x2)	FDB381	FDB381
TRX 400 FW / FM Fourtrax Foreman	400	1995 → 2003	(x2)	FDB381	FSB946
TRX 400 X	400	2009 →	(x2)	FDB381	FDB381
TRX 420 FA/FPA P.S.Fourtrax Rancher	420	2009 → 2010	(x2)	FDB381	FDB2182
TRX 420 FPE/FPM Fourtrax Rancher 4x4	420	2009 → 2010	(x2)	FDB381	FSB946
TRX 420 TM/TE/FE/FM Fourtrax Rancher	420	2007 → 2010	(x2)	FDB381	FSB946
TRX 450 FE/FM Fourtrax Foreman ES / S	450	1998 → 2004	(x2)	FSB931	FSB946
TRX 450 R/ER	450	2004 → 2009	(x2)	FDB892	FDB2182
TRX 500 FA Fourtrax Rubicon	500	2001 → 2004	(x2)	FSB931	FSB761
TRX 500 FA/FAA Fourtrax Foreman Rubicon	500	2005 → 2010	(x2)	FDB2195	FSB761
TRX 500 FGA Fourtrax Foreman Rubicon Gpscape	500	2001 → 2005	(x2)	FSB931	FSB761
TRX 500 FGA Fourtrax Foreman Rubicon Gpscape	500	2005 → 2009	(x2)	FDB2195	FSB761
TRX 500 FPA9 Fourtrax Foreman Rub. Gpscape EPS	500	2009 →	(x2)	FDB2195	FSB761
TRX 500 TM/FE/FA/FMA/FPE/FPM Fourtrax Foreman	500	2005 → 2010	(x2)	FDB2195	FSB761
TRX 650 FA Rincon / FGA Fourtrax Rincon Gpscape	650	2003 → 2005	(x2)	FSB931	FDB2182
TRX 680 Fourtrax Rincon	680	2006 → 2010	(x2)	FDB2195	FDB2182
TRX 680 Fourtrax Rincon Gpscape	680	2006 → 2009	(x2)	FDB2195	FDB2182
TRX 700 XX (8/XX9)	700	2008 → 2009	(x2)	FDB892	FDB2195

HYOSUNG ATV

RAPIER 450 /S	450	2008 →	(x2)	FDB2016	FDB2016
TE 450 S	450	2007 → 2010	(x2)	FDB250	FDB250

JOHN DEERE ATV

4PX Gator 4x2/4x4 4x4 Trail 9345		2004 → 2005		FDB2272	FDB2272
HPX 4 x2 (Petrol) Gator		2010 → 2011		FDB2272	FDB2272
HPX 4 x4 / 4 x 4 Trail (Petrol) - Gator		2010 → 2011		FDB2272	FDB2272
HPX 4x4 (Diesel) - Gator - (SN040000)		2010 →		FDB2272	FDB2272
HPX Gator 4x2/4x4 9446		2004 → 2008		FDB2272	FDB2272
TX Gator Utility 9461		2004 → 2005		FDB2272	FDB2272
TX Turf Gator 9462		2004 → 2005		FDB2272	FDB2272
Buck 500 EX (Left)	500	2004 → 2008		FDB2148	FDB2149
Buck 500 EX (Right)	500	2004 → 2008		FDB2149	
Trail Buck 500 EX (Left)	500	2004 → 2005		FDB2148	FDB2149
Trail Buck 500 EX (Right)	500	2004 → 2005		FDB2149	
Buck 650 EXT (Left)	650	2004 → 2008		FDB2148	FDB2149
Buck 650 EXT (Right)	650	2004 → 2008		FDB2149	
Trail Buck 650 EXT (Left)	650	2004 → 2005		FDB2148	FDB2149
Trail Buck 650 EXT (Right)	650	2004 → 2005		FDB2149	

KAWASAKI 3 WHEELERS

KLT 110 A1 / A2 / A3	110	1984 → 1986		FSB722	FSB721
KLT 160 A1	160	1985 → 2000		FSB722	FSB721
KLT 185 A1 / A2	185	1986 → 1987		FSB722	FSB721
KLT 200 All Models	200	1981 → 1984		FSB722	FSB799
KLT 250 All Models	250	1982 → 2000		FSB722	FSB799

* It is recommended that in those applications where sintered pads are supplied as Original Equipment, replacement pads should also be of sintered composition.

** To avoid brake imbalance sintered pads fitted in rear calipers should only be used in combination with front calipers containing sintered pads.



CC FROM -> TO



NOTES



NOTES

...KAWASAKI 3 WHEELERS

KXT 250 A2 / B1 TECATE	250	1985	-	1986	FDB314	FDB314
KXT 250 B2 TECATE	250	1987	-	2000 (x2)	FDB314	FDB381
KXT 250 TECATE	250	1984	-	2000	FSB799	FDB313

KAWASAKI ATV

KFX 50 / KSF 50	50	2007	-	2009 (x2)	FSB756	FDB2096
KSF 50 / KFX 50	50	2003	-	2007 (x2)	FSB727	FSB723
KSF 80 / KFX 80	80	2003	-	2006 (x2)	FSB727	FSB776
KFX 90 / KSF 90	90	2007	-	2010 (x2)	FSB756	FDB2096
KSF 90 / KFX 90	90	2006	-	2007 (x2)	FSB727	FSB776
KLF 110 MOJAVE A / B	110	1987	-	1988 (x2)	FSB722	FSB721
KLF 185 BAYOU A1 Series	185	1985	-	2000		FSB718
KLF 185 BAYOU A2 / A3 / A4	185	1986	-	1988 (x2)	FSB799	FSB718
KLF 220 BAYOU A Series	220	1988	-	2002 (x2)	FSB799	FSB718
KLF 250 BAYOU A Series	250	2003	-	2010 (x2)	FSB799	FSB718
KSF 250 A8 - A9	250	1994	-	1995 (x2)	FDB2013	FDB661
KSF 250 MOJAVE A Series	250	1987	-	2005 (x2)	FDB2013	FDB381
KXF 250 Tecate	250	1987	-	1988	FDB2013	FDB381
KXF 250 Tecate	250	1989	-	(x2)	FDB2013	FDB313
KEF 300 LAKOTA A Series, LAKOTA SPORT B Series	300	1995	-	2003 (x2)	FDB2013	FDB381
KLF 300 BAYOU 4x4 C Series (left)	300	1989	-	2004	FDB497	FSB794
KLF 300 BAYOU 4x4 C Series (right)	300	1989	-	2004	FDB631	
KLF 300 BAYOU A Series	300	1986	-	1987 (x2)	FSB932	FSB718 (x2)
KLF 300 BAYOU B Series	300	1988	-	2004 (x2)	FDB314	FSB718 (x2)
KVF 300 PRAIRIE (2x4/4x4)	300	1999	-	2002 (x2)	FDB250	FSB794
KVF 360 PRAIRIE (All Models)	360	2003	-	2010 (x2)	FDB250	
KLF 400 BAYOU 4x4 B Series (left)	400	1993	-	1999	FDB497	FSB794
KLF 400 BAYOU 4x4 B Series (right)	400	1993	-	1999	FDB631	
KSF 400 / KFX 400	400	2004	-	2006 (x2)	FDB381	FDB2016
KVF 400 PRAIRIE (2x4/4x4)	400	1997	-	2002 (x2)	FDB381	FSB794
KFX 450 R	450	2008	-		FDB2149	
KFX 450 R	450	2008	-		FDB2148	FDB381
KSF 450 / KFX 450	450	2007	-	(x2)	FDB381	FDB2016
KAF 300 (MULE 250 / 500 / 550 /520)	550	1992	-	2000 (x2)	FSB934	
KVF 650 BRUTE FORCE (left)	650	2005	-	2007	FDB2188	
KVF 650 BRUTE FORCE (right)	650	2005	-	2007	FDB2080	
KVF 650 Brute Force 4X4i All models (Left)	650	2007	-	2008	FDB497	
KVF 650 Brute Force 4X4i All models (Right)	650	2007	-	2008	FDB631	
KVF 650 PRAIRIE (left)	650	2002	-	2003	FDB2188	
KVF 650 PRAIRIE (right)	650	2002	-	2003	FDB2080	
KFX 700 (left)	700	2004	-	2009	FDB2188	
KFX 700 (right)	700	2004	-	2009	FDB2080	
KRF 750 Teryx 4x4 All mod.(Left)-side by side	750	2008	-		FDB497	
KRF 750 Teryx 4x4 All mod.(Right)-side by side	750	2008	-		FDB631	
KVF 750 BRUTE FORCE All Models (left)	750	2005	-	2010	FDB497	
KVF 750 BRUTE FORCE All Models (right)	750	2005	-	2010	FDB631	

KYMCO ATV

Mongoose 50 (2T)	50	2004	-	2008 (x2)	FSB753	FSB966
Mongoose 50 (4T) (Rear disc model)	50	2008	-	2009 (x2)	FSB753	FDB2096
MXer 50	50	2003	-	(x2)	FSB704	
Mongoose 70 (4T)	70	2007	-	2009 (x2)	FSB753	FDB2096
Mongoose 90	90	2002	-	2010 (x2)	FSB753	FDB2096
MXer 90	90	2004	-	(x2)	FSB756	FDB2096
Mxer - MXU 150	150	2003	-	2010	FSB704	FDB2096
KXR 250 MONGOOSE	250	2004	-	2009 (x2)	FDB2184	FDB2141
MXU 250	250	2004	-	2010 (x2)	FDB2184	FDB2141
URBAN 250	250	2006	-	2007 (x2)	FDB2184	FDB2141
MAXXER 300	300	2005	-	(x2)	FDB2184	FDB2141
Mongoose 300	300	2006	-	2010 (x2)	FDB2184	FDB2141 (x2)
MXU 300	300	2005	-	2009 (x2)	FDB2184	FDB2184 (x2)
MXU 400	400	2008	-	(x2)	FDB2184	FDB2184 (x2)
MXU 400 Parking brake	400	2008	-	2009	FDB381	
MXU 500 4x4 (All models)	500	2006	-	2010 (x2)	FDB2184	FDB2184 (x2)
UXV 500 4x4 (All models) - side by side	500	2008	-	2010 (x2)	FDB2184	FDB2184

* It is recommended that in those applications where sintered pads are supplied as Original Equipment, replacement pads should also be of sintered composition.

** To avoid brake imbalance sintered pads fitted in rear calipers should only be used in combination with front calipers containing sintered pads.

2004



CC FROM -> TO



NOTES



NOTES

LAVERDA ATV

QUASAR 400 4x4	400	2004	-	(x2)	FDB2175	FDB2175
QUASAR 500 4x4	500	2004	-	(x2)	FDB2175	

POLARIS ATV

250-300 2x4/4x4		1990	-	1995	(x2)	FDB2055	FDB2054
ATP 330		2004	-	2005	(x2)	FDB2055	FDB2055
ATP 500 H0		2004	-	2005	(x2)	FDB2055	FDB2055 (x2)
BIG BOSS (All middle axle brake models)		1989	-	1999	(x2)	FDB2055	
BIG BOSS (All standard models)		1989	-	1999	(x2)	FDB2055	FDB2054
HAWKEYE 300 4x4		2007	-		(x2)	FDB2055	FDB2055 (x2)
L 350-400 2x4/4x4		1990	-	1995	(x2)	FDB2055	FDB2054
MAGNUM (All models)		1999	-	2001	(x2)	FDB2055	FDB2121
MAGNUM (All models)		2002	-	2006	(x2)	FDB2055	FDB2176
Outlaw 450&525 (All models)		2008	-	2010			FDB2055
Outlaw 50/90		2007	-	2010	(x2)	FSB756	FSB966
Ranger 2x4/4x4 - side by side		2004	-	2005		FDB2236	FDB2236 (x2)
Ranger 6x6 - side by side		2004	-	2005	(x2)	FDB2236	FDB2236 (x2)
Ranger EV (Electric) - side by side		2010	-	2011	(x2)	FDB2263	FDB2236 (x2)
Ranger TM - side by side		2004	-		(x2)	FDB2236	FDB2236 (x2)
Ranger XP - side by side		2005	-			FDB2236	FDB2236
SCRAMBLER (3 wheeler)		1985	-	1986		FSB731	
SCRAMBLER (All Models)		1995	-	1997	(x2)	FDB2055	FDB2054
SCRAMBLER (All Models)		1998	-	2004	(x2)	FDB2055	FDB2121
SCRAMBLER 50 / 90		2001	-	2006	(x2)	FSB753	FSB966
SPORTSMAN (All Models)		1993	-	1997	(x2)	FDB2055	FDB2054
TRAIL BOSS (All Models)		1988	-	1999	(x2)	FDB2055	FDB2054
TRAIL BOSS (All Models)		2000	-	2004	(x2)	FDB2055	FDB2121
TRAIL BOSS 2x4		1985	-	1987	(x2)	FSB731	
PREDATOR 50	50	2004	-	2006	(x2)	FSB753	FSB966
Predator 50 (2 stroke)	50	2004	-	2006	(x2)	FSB756	FSB966
PREDATOR 90	90	2003	-	2006	(x2)	FSB753	FSB966
SPORTSMAN 90	90	2001	-	2010	(x2)	FSB753	FSB966
Phoenix 200 (Rear disc model)	200	2005	-	2008	(x2)	FDB313	FDB313
PHOENIX 200 (Rear drum model)	200	2005	-	2010	(x2)	FDB313	FSB760
Sawtooth 200 (Rear disc model)	200	2006	-		(x2)	FDB313	FDB313
SAWTOOTH 200 (Rear drum model)	200	2006	-		(x2)	FDB313	FSB760
CYCLONE 250 X	250	1987	-	2000	(x2)	FSB731	
TRAIL BLAZER 250	250	1990	-	1998	(x2)	FDB2055	FDB2054
TRAIL BLAZER 250	250	1999	-	2004	(x2)	FDB2055	FDB2121
TRAIL BLAZER 250	250	2005	-	2006	(x2)	FDB2055	FDB2176
XPLORER 250	250	2000	-		(x2)	FDB2055	FDB2121
HAWKEYE 300 2x4	300	2006	-		(x2)	FDB2055	FDB2055
Sportsman 300 4x4	300	2008	-	2010	(x2)	FDB2055	FDB2055
XPLORER 300	300	1996	-	2000	(x2)	FDB2055	FDB2054
Xpress L (All models)	300	1996	-	2000	(x2)	FDB2055	FDB2054
XPEDITION 325	325	2000	-	2001	(x2)	FDB2055	FDB2121
XPEDITION 325	325	2002	-		(x2)	FDB2055	FDB2176
Trail Blazer 330	330	2008	-	2010	(x2)	FDB2055	FDB2176
TRAIL BOSS 330	330	2005	-	2010	(x2)	FDB2055	FDB2176
SPORTSMAN 335	335	1999	-	2000	(x2)	FDB2055	FDB2121
Sportsman 350 4x4	350	1993	-		(x2)	FDB2055	FDB2054
TRAIL BOSS 350 (All Models)	350	1991	-	1993	(x2)	FDB2055	FDB2054
Ranger 400 - side by side	400	2010	-		(x2)	FDB2263	FDB2236 (x2)
Sport 400	400	1994	-	1998	(x2)	FDB2055	FDB2054
Sport 400	400	1999	-	2000	(x2)	FDB2055	FDB2121
SPORTSMAN 400	400	2001	-	2002	(x2)	FDB2055	FDB2121
SPORTSMAN 400	400	2003	-	2005	(x2)	FDB2055	FDB2176
Sportsman 400 HO 4x4	400	2008	-	2010	(x2)	FDB2055	FDB2055 (x2)
XPLORER 400	400	1995	-	1998	(x2)	FDB2055	FDB2054
XPLORER 400	400	1999	-	2002	(x2)	FDB2055	FDB2121
MAGNUM 425 (All Models)	425	1995	-	1998	(x2)	FDB2055	FDB2054
XPEDITION 425	425	2000	-		(x2)	FDB2055	FDB2121
Sportsman 450	450	2006	-		(x2)	FDB2055	FDB2176
DIESEL 455	455	1999	-	2001	(x2)	FDB2055	FDB2121
Outlaw 500	500	2006	-	2007	(x2)	FDB2055	FDB2055
PREDATOR 500	500	2003	-	2007	(x2)	FDB2055	FDB2055
Ranger 500 (2x4/4x4) - side by side	500	2006	-	2007	(x2)	FDB2236	FDB2236 (x2)
Ranger 500 (Carb) 2x4 -side by side	500	2009	-		(x2)	FDB2263	FDB2236 (x2)
Ranger 500 (EFI) 4x4 H.O. - side by side	500	2009	-	2011	(x2)	FDB2263	FDB2236 (x2)
Ranger 500 2x4 - side by side	500	2008	-		(x2)	FDB2263	FDB2236 (x2)
Ranger 500 4x4 EFI - side by side	500	2006	-	2007	(x2)	FDB2236	FDB2236 (x2)

* It is recommended that in those applications where sintered pads are supplied as Original Equipment, replacement pads should also be of sintered composition.

** To avoid brake imbalance sintered pads fitted in rear calipers should only be used in combination with front calipers containing sintered pads.



CC

FROM -> TO



NOTES



NOTES

...POLARIS ATV

Ranger 500 4x4 EFI - side by side	500	2008	-	(x2)	FDB2263	FDB2236 (x2)
Ranger 500 Crew - side by side	500	2011	-	(x2)	FDB2263	FDB2236 (x2)
SCRAMBLER 500 (All models)	500	2005	-	2010	(x2) FDB2055	FDB2176
SPORTSMAN 500	500	1998	-	2002	(x2) FDB2055	FDB2121
SPORTSMAN 500 6x6	500	2000	-	2008	(x2) FDB2055	FDB2177
SPORTSMAN 500 HO/EFI/X2/EFI Quad H.O.	500	2003	-	2010	(x2) FDB2055	FDB2176
Sportsman 500 Touring H.O.	500	2008	-	2010	(x2) FDB2055	FDB2055 (x2)
Sportsman 500 X2 EFI	500	2007	-	2009	(x2) FDB2055	FDB2055
XPLORES 500	500	1997	-	2000	(x2) FDB2055	FDB2054
SPORTSMAN 600	600	2003	-	2006	(x2) FDB2055	FDB2176
Ranger 700 4x4 EFI - side by side	700	2009	-	(x2)	FDB2263	FDB2236 (x2)
Ranger 700 4x4 EFI/LE - side by side	700	2007	-	(x2)	FDB2236	FDB2236 (x2)
Ranger 700 6x4 EFI - side by side	700	2008	-	(x2)	FDB2263	FDB2236 (x2)
Ranger 700 6x6 EFI - side by side	700	2006	-	2009	(x2)	FDB2236 (x2)
Ranger 700 Crew (EFI) 4x4 - side by side	700	2009	-	(x2)	FDB2263	FDB2263 (x2)
Ranger 700 XP 4x4 - side by side	700	2006	-	2008	(x2) FDB2236	FDB2236 (x2)
Ranger 700 XP 4x4 - side by side	700	2008	-	(x2)	FDB2263	FDB2236 (x2)
SPORTSMAN 700	700	2003	-	2007	(x2) FDB2055	FDB2176 (x2)
Sportsman 700 X2	700	2008	-	(x2)	FDB2055	FDB2055
Ranger 800 RZR - side by side	800	2008	-	2012		FDB2055 (x2)
Ranger 800 6x6 - side by side	800	2010	-	(x2)	FDB2263	FDB2236 (x2)
Ranger 800 Crew - side by side	800	2010	-	(x2)	FDB2263	FDB2236 (x2)
Ranger 800 HD - side by side	800	2010	-	(x2)	FDB2263	FDB2236 (x2)
Ranger 800 RZR S EFI - side by side	800	2009	-	2012		FDB2055 (x2)
Ranger 800 RZR-4 - side by side	800	2010	-	2012	(x2) FDB2263	FDB2236 (x2)
Ranger 800 RZR-4 EPS - side by side	800	2012	-	(x2)	FDB2263	FDB2236 (x2)
Ranger 800 XP - side by side	800	2010	-	(x2)	FDB2263	FDB2236 (x2)
Sportsman 800 EFI 6x6 Big Boss	800	2009	-	2010	(x2) FDB2055	FDB2055 (x2)
SPORTSMAN 800 EFI/HO	800	2005	-	2010	(x2) FDB2055	FDB2176 (x2)
Sportsman 800 Touring/EFI	800	2008	-	2009	(x2) FDB2055	FDB2055 (x2)
Sportsman 800 X2 EFI	800	2007	-	2009	(x2) FDB2055	FDB2055 (x2)
Polaris Razor XP900 - side by side	900	2012	-	(x2)	FDB2263	FDB2236 (x2)
Ranger 900 D 4x4 Diesel - side by side	900	2011	-	(x2)	FDB2263	FDB2236 (x2)
Ranger 900 RZR XP - side by side	900	2011	-	2012	(x2) FDB2263	FDB2236 (x2)

SUZUKI 3 WHEELERS

ALT 50 D/E	50	1983	-	1984		FSB726
ALT 125 D	125	1983	-	1984		FSB779
ALT 125 E/F/G	125	1984	-	1986		FSB724
ALT 185 F	185	1985	-	1987		FSB724

SUZUKI ATV

LT 50	50	1984	-	1987		FSB726
LT-A 50 QUADSPORT	50	2002	-	2005	(x2) FSB727	FSB723
LT-Z 50 QUADSPORT	50	2006	-	2009	(x2) FSB727	FSB723
LT 80 all models	80	1987	-	2007	(x2) FSB727	FSB776
LT-Z 90 QUADSPORT	90	2006	-	2010	(x2) FSB727	FSB776
LT 125 D	125	1983	-	2000		FSB779
LT 125 E	125	1984	-	2000		FSB724
LT 125 F/G/H	125	1985	-	1987		FSB776
LT 160 (All models)	160	1989	-	2004	(x2) FSB777	FSB724
LT 185 E/F/G/H	185	1984	-	1987		FSB724
LT 230 EH/EJ/EK/EL/EM/EN/EP	230	1986	-	1993	(x2) FDB2013	FDB381
LT 230 GEF/GEG QUADRUNNER	230	1985	-	1986	(x2) FSB927	FSB724
LT 230 S QUADSPORT	230	1985	-	1988	(x2) FDB2013	FDB661
LT 230 S QUADSPORT	230	1989	-		FDB2013	FDB381
LT-F 230 G/H	230	1986	-	1987	(x2) FSB927	FSB724
LT 250 EF	250	1985	-	1986	(x2) FSB927	FSB782
LT 250 R	250	1985	-	1986	(x2) FDB2013	FDB381
LT 250 R	250	1987	-	1992	(x2) FDB2013	FDB2016
LT 250 S	250	1989	-	1990	(x2) FDB2013	FDB381
LT-F 250 4WD QUADRUNNER	250	1987	-	2002	(x2) FSB934	FSB782
LT-F 250 F QUADRUNNER	250	1999	-	2002	(x2) FSB934	FSB789
LT-F 250 K OZARK	250	2002	-	2007	(x2) FDB250	
LT-F 250 QUADRUNNER	250	1988	-	2001	(x2) FSB934	FSB789
LT-Z 250 K Quadport	250	2004	-	2009	(x2) FDB381	
LT 300 E	300	1987	-	1989	(x2) FSB927	FSB782
LT-F 300 KING QUAD	300	1991	-	2001	(x2) FSB929	FSB782
LT-F 300 KING QUAD (left)	300	2002	-		FDB497	FSB782

* It is recommended that in those applications where sintered pads are supplied as Original Equipment, replacement pads should also be of sintered composition.

** To avoid brake imbalance sintered pads fitted in rear calipers should only be used in combination with front calipers containing sintered pads.

2006



CC

FROM → TO



NOTES



NOTES

...SUZUKI ATV

LT-F 300 KING QUAD (right)	300	2002	→		FDB631		
LT-A/F 400 EIGER (All models)	400	2002	→ 2008	(x2)	FDB250		FSB725
LT-A/F 400 KING QUAD (Left) - All Models	400	2008	→ 2009		FDB2148		FSB725
LT-A/F 400 KING QUAD (Right) - All Models	400	2008	→ 2009		FDB2149		
LT-F 400 K8 Manual 2WD (Left)	400	2008	→		FDB2148		FSB725
LT-F 400 K8 Manual 2WD (Right)	400	2008	→		FDB2149		
LT-F 400 X	400	1991	→ 2000	(x2)	FSB929		FSB784
LT-Z 400 QUADSPORT	400	2003	→ 2009	(x2)	FDB381		FDB2016
LT-A 450 KING QUAD (left)	450	2007	→ 2009		FDB2148		FDB2016
LT-A 450 KING QUAD (right)	450	2007	→ 2009		FDB2149		
LT-R 450 K/Z (left)	450	2006	→		FDB497		FDB2016
LT-R 450 K/Z (right)	450	2006	→		FDB631		
LT-R 450 Z Quad Racer (left)	450	2008	→		FDB2148		
LT-R 450 Z Quad Racer (right)	450	2008	→		FDB2149		FDB2016
LT 500 R	500	1987	→ 1990	(x2)	FDB2013		FDB2016
LT-A 500 F QUADMASTER (left)	500	2000	→ 2001		FDB497		FSB782
LT-A 500 F QUADMASTER (right)	500	2000	→ 2001		FDB631		
LT-A 500 FK2 VINSON 4x4	500	2001	→ 2007	(x2)	FDB250		FDB2149
LT-A 500 KING QUAD 4x4 (left)	500	2009	→		FDB2148		FDB2016
LT-A 500 KING QUAD 4x4 (right)	500	2009	→		FDB2149		
LT-A/F 500 FK VINSON	500	2003	→ 2007	(x2)	FDB250		FDB828
LT-F 500 FW/FX/F1 QUADRUNNER (left)	500	1998	→ 2002		FDB497		FSB782
LT-F 500 FW/FX/F1 QUADRUNNER (right)	500	1998	→ 2002		FDB631		
LT-A 700 KING QUAD (right)	700	2005	→ 2007		FDB2149		
LT-A 700 KING QUAD (left)	700	2005	→ 2007		FDB2148		FDB2016
LT-A 700 KING QUAD (left)	700	2008	→		FDB497		
LT-A 700 KING QUAD (right)	700	2008	→		FDB631		
TWIN PEAKS 700 (left)	700	2004	→ 2005		FDB2148		
TWIN PEAKS 700 (right)	700	2004	→ 2005		FDB2149		
LT-A 750 KING QUAD (left)	750	2008	→		FDB2148		FDB2016
LT-A 750 KING QUAD (right)	750	2008	→		FDB2149		

SYM ATV

Quadlander 300	300	2007	→ 2010	(x2)	FDB2184		FDB2184
Quadlander 600	600	2008	→ 2010	(x2)	FDB250		FDB2184

TGB ATV

Outback 425 C 4x4	425	2007	→ 2009	(x2)	FDB2184		FDB2184
Outback 425 Real Tree Camo Edition 4x4 Auto	425	2007	→ 2009	(x2)	FDB2184		FDB2184
Outback 425 SE 4x4 Auto	425	2007	→ 2009	(x2)	FDB2184		FDB2184

UM ATV

Moontrax 50 R	50	2003	→ 2006				FDB313
Earthlander 90 R	90	2005	→ 2006				FDB313
Moontrax 90 R	90	2003	→ 2006				FDB313
Earthlander 200	200	2005	→ 2006				FDB313
MTX 450	450	2008	→	(x2)	FDB250		FDB250

YAMAHA

YXR 700 FA/FB/FD RHINO Side x Side (Parking brake)	700	2011	→ 2013		FDB2270		
YXR 700 RHINO 4X4 SE (Parking brake)	700	2009	→		FDB2270		

YAMAHA 3 WHEELERS

YT 60 L/N TRI-ZINGER	60	1984	→ 1985				FSB738
YT 125 G/H/J/K/L/N	125	1980	→ 1985				FDB2014
YT 175 J/K	175	1982	→ 1983		FSB731		FDB2014
YTM 200 EK/EL	200	1983	→ 1984		FSB731		FDB2014
YTM 200 ERN	200	1985	→ 2000		FSB731		FDB2014
YTM 200 K/L/N	200	1983	→ 1985		FSB731		FDB2014
YTM 225 DRN/DRS	225	1985	→ 1986		FSB731		FDB2014
YTM 225 DXK/DXL/DXN	225	1983	→ 1985		FSB731		FDB2014
YTZ 250 N/S	250	1985	→ 1986		FDB383		FDB383

* It is recommended that in those applications where sintered pads are supplied as Original Equipment, replacement pads should also be of sintered composition.

** To avoid brake imbalance sintered pads fitted in rear calipers should only be used in combination with front calipers containing sintered pads.



CC

FROM → TO



NOTES



NOTES

YAMAHA ATV

YFM 50 RAPTOR	50	2004 → 2007	(x2)	FSB731	FSB947
YF 60 S (MOTO4)	60	1986 → 2000	(x2)		FSB738
YFM 80 BADGER	80	1992 → 2001	(x2)	FSB731	FSB947
YFM 80 GRIZZLY	80	2005 → 2008	(x2)	FSB731	FSB947
YFM 80 N/S (MOTO4)	80	1985 → 1986	(x2)		FSB733
YFM 80 RAPTOR	80	2002 → 2008	(x2)	FSB731	FSB947
YFM 80 T/U	80	1987 → 1988	(x2)	FSB738	FSB733
YFM 90 Raptor	90	2009 → 2010			FDB313
YFM 100 T/U CHAMP	100	1987 → 1988	(x2)	FSB738	FSB733
YFM 100 W/A/B CHAMP	100	1989 → 1991	(x2)	FSB731	FSB733
YFA1 125 BREEZE	125	1989 → 1991	(x2)	FSB731	FSB733
YFA1 125 BREEZE	125	1992 → 2004	(x2)	FSB731	FSB947
YFM 125 GRIZZLY	125	2004 → 2010	(x2)	FSB731	FSB947
YFM 200 (Moto 4)	200	1985 → 1989	(x2)	FSB731	FDB2014
YFS 200 BLASTER	200	1988 → 2002	(x2)	FSB731	FDB2017
YFS 200 BLASTER	200	2003 → 2006	(x2)	FDB250	FDB381
YFM 225 (Moto 4)	225	1986 → 1988	(x2)	FSB731	FDB2014
YFB 250	250	1995 → 1998	(x2)	FSB948	FSB948
YFB 250 D/E/F TIMBERWOLF	250	1992 → 1994	(x2)	FSB731	FSB948
YFB 250 FW TIMBERWOLF	250	1994 → 2000	(x2)	FSB948	FSB948
YFM 250 BEAR TRACKER	250	1999 → 2000	(x2)	FSB948	FSB948
YFM 250 BEAR TRACKER	250	2001 → 2004	(x2)	FDB381	FSB948
YFM 250 Big Bear	250	2007 → 2009	(x2)	FDB250	
YFM 250 BRUIN	250	2005 → 2006	(x2)	FDB250	
YFM 250 R Raptor (left)	250	2008 →		FDB2231	
YFM 250 R Raptor (right)	250	2008 →		FDB2230	FDB381
YFM 250 RSPX Special Edition Custom (Left)	250	2008 →		FDB2231	FDB381
YFM 250 RSPX Special Edition Custom (Right)	250	2008 →		FDB2230	
YFM 250 W/A/B	250	1989 → 1991	(x2)	FSB948	FDB2014
YFM 350 2x4 Grizzly	350	2007 → 2010	(x2)	FDB250	FDB381
YFM 350 4x4 Grizzly	350	2007 → 2010	(x2)	FDB250	FSB736
YFM 350 BRUIN (All Models)	350	2004 → 2006	(x2)	FDB250	FSB736
YFM 350 ER E/F/G	350	1993 → 1995	(x2)	FSB933	FDB2014
YFM 350 ER W/A/D	350	1989 → 1992	(x2)	FSB767	FDB2014
YFM 350 ERT/ERU	350	1987 → 1988	(x2)	FSB928	FDB2014
YFM 350 FW 4WD BIG BEAR	350	1999 → 2003	(x2)	FDB250	FSB736
YFM 350 FW H/J/K BIG BEAR	350	1996 → 1998	(x2)	FSB933	FSB736
YFM 350 FW T/U	350	1987 → 1988	(x2)	FSB928	FDB2014
YFM 350 FW T/U BIG BEAR	350	1987 → 1988	(x2)	FSB928	FDB2014
YFM 350 FW W/A/B/D/E/F/G BIG BEAR	350	1989 → 1995	(x2)	FSB933	FDB2014
YFM 350 FX WOLVERINE	350	1995 → 2007	(x2)	FDB250	FDB381
YFM 350 RAPTOR	350	2004 → 2010	(x2)	FDB381	FDB381
YFM 350 X Wolverine	350	2006 → 2009	(x2)	FDB250	
YFM 350 XT/XU WARRIOR	350	1987 → 1988	(x2)	FDB383	FDB250
YFM 350 XW-XS WARRIOR	350	1989 → 2004	(x2)	FDB250	FDB381
YFP 350 U Terrapro	350	1988 →	(x2)	FSB948	
YFZ 350 A/B/D/E/F BANSHEE	350	1990 → 2006	(x2)	FDB250	FDB381
YFZ 350 T/U/W BANSHEE	350	1987 → 1989	(x2)	FDB383	FDB381
YFM 400 4x4 Grizzly	400	2007 → 2008	(x2)	FDB250	FDB2148
YFM 400 BIG BEAR (All Models)	400	2000 → 2007	(x2)	FDB250	FSB736
YFM 400 FW KODIAK	400	1993 → 1998	(x2)	FSB933	FSB736
YFM 400 FW Kodiak	400	1999 → 2000	(x2)	FDB250	FSB948
YFM 400 FW KODIAK (All Models except AUTO)	400	2000 → 2006	(x2)	FDB250	FDB2148
YFM 400 KODIAK AUTO	400	2003 →	(x2)	FDB250	FSB736
YFM 450 Grizzly (All models)	450	2007 → 2010	(x2)	FDB250	FDB2148
YFM 450 KODIAK	450	2003 → 2006	(x2)	FDB250	FDB2148
YFM 450 WOLVERINE (All models)	450	2006 → 2010	(x2)	FDB250	FDB2148
YFZ 450 (left)	450	2004 → 2005		FDB497	FDB381
YFZ 450 (left) - All models	450	2006 →		FDB497	FDB2119
YFZ 450 (right)	450	2004 → 2005		FDB631	
YFZ 450 (right) - All models	450	2006 →		FDB631	
YXR 450 RHINO (left) - side by side	450	2004 → 2009		FDB497	FDB2149
YXR 450 RHINO (right) - side by side	450	2004 → 2009		FDB631	
YFM 550 4x4 Grizzly (left)	550	2008 →		FDB2231	FDB2233
YFM 550 4x4 Grizzly (right)	550	2008 →		FDB2230	FDB2232
YFM 600 GRIZZLY (All)	600	1998 → 2001	(x2)	FDB381	FSB736
YFM 660 Ducks Unlimited Ed.-side by side	660	2006 → 2007		FDB381	FDB2193
YFM 660 GRIZZLY	660	2002 → 2008	(x2)	FDB381	FDB2193
YFM 660 RAPTOR	660	2001 → 2005	(x2)	FDB381	FDB381
YXR 660 RHINO (left) - side by side	660	2004 → 2007		FDB497	FDB2149
YXR 660 RHINO (right) - side by side	660	2004 → 2007		FDB631	
YFM 700 Ducks Unlimited Edition (Left)	700	2007 → 2009		FDB2231	FDB2233

* It is recommended that in those applications where sintered pads are supplied as Original Equipment, replacement pads should also be of sintered composition.

** To avoid brake imbalance sintered pads fitted in rear calipers should only be used in combination with front calipers containing sintered pads.

2008

**CC****FROM → TO****NOTES****NOTES****...YAMAHA ATV**

YFM 700 Ducks Unlimited Edition (Right)	700	2007 → 2009	FDB2231	FDB2232
YFM 700 GRIZZLY (left)	700	2008 →	FDB2231	FDB2233
YFM 700 GRIZZLY (right)	700	2008 →	FDB2230	FDB2232
YFM 700 RAPTOR (left) - All Models	700	2006 →	FDB497	FDB2235
YFM 700 RAPTOR (right) - All Models	700	2006 →	FDB631	
YXR 700 RHINO (left) - side by side	700	2008 →	FDB631	FDB631
YXR 700 RHINO (right) - side by side	700	2008 →	FDB497	FDB497

ALL TERRAIN

* It is recommended that in those applications where sintered pads are supplied as Original Equipment, replacement pads should also be of sintered composition.

** To avoid brake imbalance sintered pads fitted in rear calipers should only be used in combination with front calipers containing sintered pads.



CC

FROM → TO



NOTES



NOTES

LYN SNOWMOBILE

Enduro	1998 → 2000			FDB2136
GLX 5009 ST	1998 → 2000			FDB2136
Gran Touring 700	1998 → 2000			FDB2136
Rave Special	1998 → 2000			FDB2136

POLARIS SNOWMOBILE

ALL MODELS WITH PHANTOM BRAKES	2003 →			FDB2189
HAYES (all models)	1993 → 1998			FDB2001
INDY 440 XCR	1993 → 1999			FDB2001
INDY 600 XCR - SP	1996 → 1999			FDB2001
INDY RXL - RMK - SKS	1993 → 1997			FDB2001
INDY SPORT - TOURING	1993 → 1998			FDB2001
INDY TRAIL - DE LUXE	1993 → 1998			FDB2001
INDY TRANSPORT	1996 → 1998			FDB2001
INDY ULTRA (all models)	1996 → 1998			FDB2001
INDY XLT (all models)	1993 → 1998			FDB2001
XCF 440	1998 → 2000			FDB2001

SKI DOO SNOWMOBILE

REV XP	2008 →		FDB2243	
--------	--------	--	---------	--

YAMAHA SNOWMOBILE

EXCEL V	1979 → 1980		FDB2014	
EXCITER	1976 → 2000		FDB2014	
GPX (All Models)	1974 → 1975		FDB2014	
NISSIN (all models)	1997 → 1999			FDB2111
OVATION	1989 → 1993		FDB2014	
PHAZER	1984 → 1993		FDB2014	
SNO-SCOOT	1989 → 1991		FDB2014	
SPV	1980 → 1991		FDB2014	
SRX 600 - 700	1998 → 1999			FDB2111
SRX 700 - MOUNTAIN MAX 700	2000 → 2001			FDB2111
SS 440	1980 → 1993		FDB2014	
SSR	1978 → 2000		FDB2014	
SX 500R - 600R - 700R	→			FDB2111
V-MAX	1983 → 1991		FDB2014	
V-MAX 500 - 600 - 700 (all)	1997 → 1999			FDB2111
V-MAX 800	1998 → 2000			FDB2111
VENTURE 500 - 600 - 700	1997 → 2000			FDB2111
VK X 440	1989 → 1991		FDB2014	
XL-V	1985 → 1990		FDB2014	

* It is recommended that in those applications where sintered pads are supplied as Original Equipment, replacement pads should also be of sintered composition.

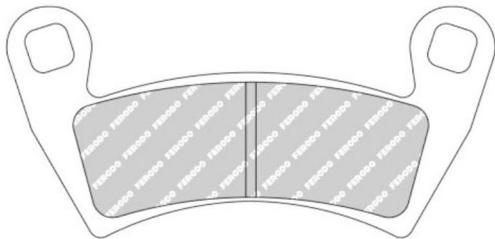
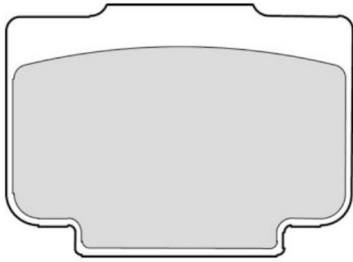
** To avoid brake imbalance sintered pads fitted in rear calipers should only be used in combination with front calipers containing sintered pads.

2010



FERODO™

MOTORCYCLE PADS



Buyer's Guide

FERODO™

MOTORCYCLE PADS



			CC	FRONT	TO	FRONT	REAR
FDB88	NORTON	B	COMMANDO	750	1975	1975	F/R
FDB108	APRILIA	B	AF 1 250 REPLICA	250	1990		R
	BENELLI	B	350 SPORT	350	1978		R
		B	350 SPORT II	350	1978		R
		B	350 T	350	1978		R
		B	500	500	1978		R
		B	500 LS	500	1978		R
		B	650	650	1982		R
		B	650 SPORT	650	1978		R
		B	650 T	650	1978		R
		B	750 SEI	750	1976		F
		B	900 SEI	900	1978		F
	BIMOTA	B	BELLARIA 600 SPORT	600	1991		R
		B	TESI 851 1D	851	1991		R
		B	TESI 906 1D	906	1991		R
		B	1000 all models ->1988	1000	2000		F/R
		B	SB 3 1000	1000	1983		F/R
		B	YB 10 DIECI 1002	1002	1991		R
	BMW	B	R 45 450	450	1978	1981	F
		B	R 45 450	450	1981	1985	F
		B	R 65 650	650	1981	1989	F/R
		B	R 65 650	650	1989	2000	F
		B	R 65 650	650	2000		F
		B	R 65 650 GS	650	1987	1988	F
		B	R 65 650 LS	650	1981	1985	F
		B	R 65 650 LS	650	2000		F
		B	K 75 750	750	1984	1988	F
		B	K 75 750	750	1990	1996	R
		B	K 75 750 (ABS caliper)	750	1991	1996	R
		B	K 75 750 RT	750	1991	1993	R
		B	K 75 750 RT	750	1994	2000	R
		B	K 75 750 S	750	1985	1988	F/R
		B	K 75 750 S	750	1988	1993	F/R
		B	R 80 800 all models	800	1982	1984	F
		B	R 80 800 all models	800	1985	1989	F
		B	R 80 800 GS / PARIS-DAKAR	800	1981	1986	F
		B	R 850 R ROADSTER	850	1995	2000	F
		B	K 1 1000	1000	1989	1993	R
		B	K 100 1000 all models	1000	2000		F/R
		B	K 100 1000 LT	1000	1987	1988	F/R
		B	K 100 1000 LT	1000	1988	1992	R
		B	K 100 1000 RS	1000	1983	1988	F/R
		B	K 100 1000 RS	1000	1988	1989	R
		B	K 100 1000 RS 16 VALVES	1000	1990	1992	R
		B	K 100 1000 RT	1000	1983	1988	F/R
		B	K 100 1000 RT	1000	1988	1989	F/R
		B	R 100 1000 all models	1000	1981	1989	F/R
		B	R 100 1000 all models	1000	1981	1989	F
		B	R 100 1000 RS - RT - CS	1000	1981	1988	F/R
		B	R 100 1000 RT	1000	1991	1995	F
		B	K 1200 GT	1200	2003	2007	R
		B	K 1200 RS	1200	1997	2001	R
		B	K 1200 RS	1200	2002		R
	DUCATI	B	650 DESMO	650	1987		F
		B	750 ENDURANCE	750	1987		R
		B	750 F1 DESMO	750	1986		F
		B	750 LAGUNA SECA	750	1987		R
		B	750 PASO	750	1987		F/R
		B	750 SPORT	750	1989	2000	F/R
		B	750 SUPERSPORT	750	1976	1991	F/R
		B	906 PASO	906	1989	1990	F/R
		B	1000 all models	1000	1984		F/R
	LAVERDA	B	125	125			F
		B	SFC 500	500	1977		F/R
		B	SFC 1000	1000	1986		F/R
	MOTO GUZZI	B	NTX 350	350	1990		R
		B	V 35 350 GT	350	1990		F
		B	NTX 650	650	1990		R
		B	V 65 650 GT	650	1990		F
		B	NTX 750	750	1990		R
		B	S 750	750	1974	1975	F
		B	S3 750	750	1975	1976	F/R
		B	CALIFORNIA 850 T3	850	1975	1980	F/R
		B	T5 850	850	1984		F/R
		B	CALIFORNIA 1000 II	1000	1981	1990	F/R
		B	CALIFORNIA 1000 III C	1000	1991	1998	F/R
		B	DAYTONA 1000	1000	1991	1994	R
		B	DAYTONA 1000	1000	1995	1998	R



			CC	FRONT	TO	FRONT	REAR
		B	GT V 1000	1000	1991		F/R
		B	LE MANS - V 1000	1000	1990		F/R
		B	LE MANS 1000	1000	1984	1993	F/R
		B	SP 1000	1000	1978	1983	F
		B	SP 1000 II	1000	1984		F/R
		B	SP III 1000	1000	1991		F/R
		B	CALIFORNIA 1100	1100	1994	1997	F/R
		B	ETZ 125	125	1982	1992	F
		B	SAXON 125	125	1993	1997	F
		B	ETZ 150	150	1982	1992	F
		B	SAXON 150	150	1995		F
		B	FUN 251	251	1995	1996	F
		B	ETZ 301	301	1990	1992	F
		B	SAXON 500	500	1993	1998	F
		B	INTERPOL 2 (ROTARY)	588	1983		F/R
		B	XP 350 SAHARA	350	1983		F
		B	KS 125	125	1982		F
		B	KS 175	175	1982		F
FDB119	HONDA	B	CB 250 G - G5	250	1975		F
		B	CJ 250 I	250	1977		F
		B	CJ 360 T all models	360	1978		F
		B	CB 400 F - F1 - F2	400	1975	1979	F
		B	CB 500 K1 - K2 - T	500	1975	1977	F
		B	CB 550 F - F1 - F2	550	1978		F
		B	CB 550 K3	550	1978		F
		B	CB 750 F - F1	750	1976	1978	F
		B	CB 750 K7 - K8	750	1978		F
FDB132	KAWASAKI	B	KH 250 B1 - S	250	1977	1982	F
		B	Z 250 A1 - A2	250	1978	1980	F
		B	KH 400 A3-5	400	1976	1981	F
		B	Z 400 G1	400	1979		F
		B	Z 400 J1 LTD	400	1980	1981	F
		B	Z 440 A2 - C1	440	1979	1982	F
		B	Z 440 D2 - D4 LTD	440	1979	1982	F
		B	KH 500 A8	500	1976		F
		B	Z 500 A1 - A3	500	1979	1980	F
		B	Z 500 B1 - B3	500	1979	1980	F
		B	A1 550 LTD	550	1980		F
		B	Z 550 A1	550	1980		F
		B	Z 650 B1 - B3	650	1979	1981	F
		B	Z 650 C1 - C2 - C3	650	1976	1977	F
		B	Z 650 D2 - D3	650	1978	1981	F
		B	Z 650 F1	650	1979	1980	F
		B	Z 650 SR	650	1978	1981	F
		B	Z 750 B1 - B2	750	1977	1978	F/R
		B	Z 750 D1	750	1976	1978	F/R
		B	KZ 900 B1	900	1976	1977	F
		B	Z 900 A 4	900	1977	1978	F
		B	KZ 1000 B1/B2 "LTD"	1000	1977	1978	F
		B	Z 1000 A1 - A4 - H1 - H2	1000	1974	1978	F
FDB134	HONDA	B	CB 750 F - F1	750	1976	1978	R
		B	GL 1000 K1 - 2 - 3	1000	1977	1979	R
		B	GL 1000 KZ	1000	1977	1979	R
FDB148	DUCATI	B	250 DESMO	250	2000		F
		B	350 DESMO	350	2000		F
		B	600 SL	600	1976		F/R
		B	600 TL PANTAH	600	1976		F/R
		B	SF3 750	750	1977		F/R
		B	RG A 1000	1000			F/R
		B	RG A 1000 JOTA	1000			F/R
		B	RG S 1000 CORSA	1000			F/R
		B	RG S 1000 EXECUTIVE	1000			F/R
		B	RG S 1000 JOTA	1000	1977		F/R
		B	T.T. 1200	1200	1976		F/R
		B	LE MANS 850	850	1976		F/R
		B	T 850	850	1974	1975	F
		B	T3 850	850	1975	1979	F/R
		B	T4 850	850	1980	1983	F/R
		B	V 1000 1000 G5	1000	1978		F/R
		B	V 1000 1000 I CONVERT	1000	1975		F/R
		B	ETZ 250	250	1982	1992	F
		B	BONNEVILLE 750 TWIN (Brembo calipers)	750	1985	1986	F/R
FDB150	SUZUKI	B	GS 400 B - C	400	1977	1978	F
		B	GS 425 EN	425	1978	1980	F
		B	GS 750 B	750	1976	1976	F
		B	GS 750 DB	750	1977	1980	F
		B	GS 750 DL	750	1977	1980	F
		B	GS 750 EC	750	1977	1980	F

3000

B = Bike
A = ATV
S = Snowmobile

FERODO

MOTORCYCLE PADS

Updated on 11th Oct 2013

B = Bike
A = ATV
S = Snowmobile



			CC	FROM	TO	FRONT / REAR	
...FDB150		B	GS 750 EN	750	1977	1980	F
FDB151	KAWASAKI	B	Z 500 A1 - A3	500	1979	1980	R
		B	Z 500 B1 - B3	500	1979	1980	R
		B	Z 1000 A1 - A4 - H1 - H2	1000	1974	1978	R
		B	Z 1000 E1 - E2 - SHAFT - ST	1000	1979	1981	R
		B	Z 1300	1300	1979	1983	R
	SUZUKI	B	ZG 1300 DF1	1300	1984	1986	R
		B	GS 850 GN - GT - GX	850	1979	1981	R
		B	GS 850 GZ - GE - GG	850	1982	1985	R
		B	GS 1000 EC - EN - HC - SN	1000	1978	1979	R
		B	GS 1000 ET	1000	1980	1981	R
		B	GSX 1000 S KATANA	1000	1982		R
		B	GV 1200 GL MADURA	1200	1985	1986	R
FDB155	BMW	B	R 60/7 600	600	1976	1978	F
		B	R 75/6 750	750	1975	1979	F
		B	R 80 800 all models	800	1977	1981	F
		B	R 90 900 S	900	1973	1976	F
		B	R 90/6 900	900	1973	1976	F
		B	R 100 1000 all models	1000	2000		F
FDB177	YAMAHA	B	XS 250	250	1978	1978	F/R
		B	XS 250 D - E	250	1979	1981	F
		B	XS 360 C	360	1976		F/R
		B	SR 400	400	1977		F/R
		B	XS 400	400	1979	1979	F
		B	SR 500	500	1978	1982	F
		B	XS 500 C	500	1976	1979	F/R
		B	KJ 650	650	1980		F
		B	XS 650	650	1977	1981	F
		B	XS 650 SE	650	1979	1980	F/R
		B	XS 650 SE	650	1981		F
		B	XS 750	750	1977	1979	F/R
		B	XS 750 SE - SG	750	1979	1980	R
		B	XS 850	850	2000		F/R
		B	XS 850 (left)	850	1980	1982	R
		B	XS 850 (right)	850	1980	1982	R
		B	XV 1000 TR 1	1000	1981		F
		B	XS 1100	1100	1978	1980	F/R
		B	XS 1100 S	1100	1981		R
FDB178	SUZUKI	B	GT 200 EN - EX	200	1979	1982	F
		B	GT 200 X 5	200	1979	1982	F
		B	GT 250 EN - ET - EX	250	1978		F
		B	GT 250 X7	250	1978		F
		B	GS 500 EK - EL	500	1981	1988	F
		B	RE 500 S A - M	500	1975	1977	F
		B	GS 550 B - C - D	550	1977	1978	F
		B	GS 550 EC - EN	550	1978	1979	F
		B	GS 850 GN - GT - GX	850	1979	1981	F
		B	GS 1000 EC - EN - HC - SN	1000	1978	1979	F
FDB181	KAWASAKI	B	Z 650 C1 - C2 - C3	650	1976	1977	R
		B	KZ 900 B1	900	1976	1977	R
		B	KZ 1000 B1/B2 "LTD"	1000	1977	1978	R
FDB182	HONDA	B	CB 400 N - NA - NB	400	1978	1982	F
		B	CM 400 A	400	1978	1981	F
		B	CM 400 AA	400	1978	1981	F
		B	CM 400 AB-TA	400	1978	1981	F
		B	CM 400 T	400	1978	1981	F
		B	CM 400 TB	400	1978		F
		B	CM 400 TC	400	1978	1981	F
		B	CM 400 TZ	400	1978		F
		B	CX 500 CA - CB	500	1979	1981	F
		B	CB 750 F2 - F3	750	1977		F/R
		B	CB 750 FA - FB - F2C	750	1980		F
		B	CB 750 FZ	750	1979		F/R
		B	CB 900 F - FZ - FA	900	1979	1981	F/R
		B	CBX 1000	1000	1977	1980	F/R
		B	GL 1000	1000	1981		F/R
		B	GL 1000 K1 - 2 - 3	1000	1977	1979	F
		B	GL 1000 KZ	1000	1977	1979	F
		B	GL 1100	1100	1980	1981	F/R
FDB183	HONDA	B	CB 250 N	250	1978	1982	F
		B	CB 250 NA - NB	250	1978	1982	F
		B	CB 250 RSA - RSD - RSE	250	1981	1984	F
		B	CB 250 T-DREAM	250	1978	1982	F
		B	CB 250 T-SUPERDREAM	250	1978	1982	F
		B	CM 250 TB	250	1981		F
		B	CB 400 A - HAWK	400	1978		F
		B	CB 450 N	450	1985		F
		B	CB 650 A - Z	650	1979	1981	F



			CC	FROM	TO	FRONT / REAR	
		B	CB 650 B	650	1979	1981	F
		B	CB 750 KZ	750	1980		F
FDB184	YAMAHA	B	RD 250 E - F	250	1978	1979	F/R
		B	XS 250 SE - SF SPECIAL	250	1979	1981	F
		B	RD 400 E - F	400	1978		F/R
		B	XS 400 SE	400	1980	1981	F
		B	XS 850 (right)	850	1980	1982	F
FDB185	HARLEY DAVIDSON	B	FL / FLH Electra Glide® (4-speed)	1340	1972		F
		B	FL / FLH Electra Glide® (4-speed)	1340	1973	1980	F/R
		B	FL / FLH Electra Glide® (4-speed)	1340	1981	1984	F
		B	FLHS Electra Glide® Sport	1340	1977		F/R
		B	FX Super Glide®	1340	1973		F/R
		B	FX Super Glide®	1340	1974	1977	R
		B	FX Super Glide®	1340	1978	1981	R
		B	FXB Sturgis® Belt	1340	1977	1981	R
		B	FXE Super Glide®	1340	1973		F/R
		B	FXE Super Glide®	1340	1974	1977	R
		B	FXE Super Glide®	1340	1978	1981	R
		B	FXEF Super Glide®	1340	1978	1981	R
		B	FXS Sturgis®	1340	1977	1981	R
		B	FXWG Wide Glide®	1340	1980	1981	R
FDB204	APRILIA	B	ST 125	125	1987		F
		B	STX 125	125	1986		F
	BENELLI	B	900 SEI	900	1978		R
	BMW	B	R 65 650 GS	650	1989	1992	F
		B	K 75 750 S	750	1994	2000	F/R
		B	R 80 800 GS / PARIS-DAKAR	800	1987	1995	F
		B	R 80 RT	800	1990	1994	F
		B	R 100 1000 GS / PARIS-DAKAR	1000	1987	1994	F
	MOTO GUZZI	B	SP 1000	1000	1978	1983	R
FDB205	ASPES	B	DUMA 125	125			F
	BETA	B	CUSTOM 125	125	1982		F
		B	CUSTOM 250	250	1982		F
	GARELLI	B	TSR 125 SELF MIX	125			F
	GILERA	B	TG1 80	80			F
		B	TG2 80	80			F
		B	TG3 80	80			F
		B	GR1 125	125			F
		B	TG1 125	125			F
		B	TG2 125	125			F
		B	TG3 125	125			F
		B	T4 200	200			F
		B	T4C 200	200			F
		B	T4S 200	200			F
	KREIDLER	B	MUSTANG 125	125	1983		F
	MOTO MORINI	B	MONOCILINDRO 125	125	1979		F
		B	BICILINDRO 250	250	1979		F
		B	MONOCILINDRO 250	250	2000		F
		B	SPORT 250	250	2000		F
		B	TURISMO 250	250	2000		F
		B	GT 350	350	1976	1981	F
		B	GT 350	350	1979		F
		B	GT 350 TURISMO	350	1980		F
		B	SPORT 350	350	1980		F
		B	SPORT 350	350	1981		F
		B	SPORT 350	350	2000		F/R
		B	T.T. 500	500	1980		F
	ZUNDAPP	B	K 80	80	1980		F
		B	KS 80	80	1980		F
		B	KS 125	125	1980		F
FDB207	ACCOSSATO	B	50 ENDURO CODICE	50	1989		F
		B	CE 50	50	1987		F
		B	CE 80	80	1987		F/R
		B	KR 80	80	1987		F
		B	MC 80	80	1988		F
		B	MC 80 CROSS	80	1989		F/R
		B	MC 125	125	1987		F/R
		B	MC 125	125	1988		R
		B	GR 250 ENDURO	250	1985	1987	F/R
		B	GR 250 ENDURO	250	1988		R
		B	MC 250	250	1985	1986	F
		B	MC 250	250	1987		F/R
		B	MC 250	250	1988		R
		B	GR 300 ENDURO	300	1985	1987	F/R
		B	TX 300	300	1990		R
	APRILIA	B	RS 50	50	1993	1998	F
		B	RX 50	50	1996	1998	F
		B	TUAREG 50 HPC SYSTEM	50	1987		R

B = Bike
A = ATV
S = Snowmobile

FERODO
MOTORCYCLE PADS

Updated on 11th Oct 2013

B = Bike
A = ATV
S = Snowmobile

3001



CC FROM TO FRONT / REAR

...FDB207

	B	AF1 125	125	1987		R
	B	AF1 125 EUROPA	125	1990	1991	R
	B	AF1 125 FUTURA	125	1990	1991	R
	B	AF1 125 REPLICCA	125	1989	1991	R
	B	AF1 125 SINTESI	125	1989	1991	R
	B	ASR 125	125	1986		R
	B	CLASSIC 125	125	1996		R
	B	ETX 125	125	1985	1986	F
	B	LEONARDO 125	125	1995	1996	F
	B	RS 125 / TUONO 125	125	2004		R
	B	RS 125 EXTREMA - REPLICCA	125	1993	1997	R
	B	RS 125 EXTREMA - REPLICCA	125	1998	1999	R
	B	RS 125 EXTREMA - REPLICCA	125	2000	2003	R
	B	SPORT PRO 125	125	1993	2003	R
	B	TUAREG 125	125	1986		R
	B	TUAREG 125	125	1987		R
	B	TUAREG 125 WIND	125	1990		R
	B	CLIMBER 200	200	1993		F/R
	B	MX 250	250	1983		F
	B	RS 250	250	1995	1996	R
	B	RS 250	250	1998		R
	B	RX 250	250	1983		F
	B	RX 250	250	1986		F
	B	ETX 350	350	1986		R
	B	ETX 350 AE	350	1987		R
	B	TUAREG 350	350	1987		R
	B	TUAREG 350 WIND	350	1987	1988	R
	B	ETX 600	600	1986		R
ATK (USA)	B	all models 1984-85		1984	1985	F
	B	all models 1986		1986		F
	B	all models 1987		1987		F
	B	560	560	1984	1985	F
	B	560	560	1986	1987	F
BENELLI	B	125	125	1976		F
	B	125 2 C	125	1976	1978	F
	B	125 2C Dual brakes	125	2000		F
	B	125 2T - 2 CSE	125	1976	1978	F
	B	250 4	250	1976		F
	B	250 C	250	1976	1978	F
	B	250 TS	250	1976	1978	F
	B	350	350	1983		F/R
	B	350 4 CIL.	350	1978		F
	B	350 SPORT	350	1978		F
	B	350 SPORT II	350	1978		F
	B	350 T	350	1978		F
	B	500	500	1978		F
	B	500 LS	500	1978		F
	B	500 QUATTRO	500	1976		F
	B	650	650	1982		F
	B	650 SPORT	650	1978		F
	B	650 T	650	1978		F
BETA	B	KR 125	125	1986		F
	B	KR 125 AFRIKA	125	1987		F
	B	ALP 240	240	1996		R
	B	CR 250	250	1983		F
	B	KR 250 AFRIKA	250	1986		F
	B	KR 250 RALLY	250	1987		F
	B	GS - RV 500	500	1984		F
BIMOTA	B	YB 7 400	400	1989		R
	B	V DUE 500	500	1997		R
	B	YB 9 600 SRI	600	1997		R
	B	SUPERMONO 650	650	1997		R
	B	SB 7 750	750	1996		R
	B	YB 4 750	750	1989		R
	B	DB 1 - 2 900	900	1992		R
	B	MANTRA 900	900	1997		R
	B	DB 2 SR 904	904	1994	2000	R
	B	DB 4 904	904	1998	1999	R
	B	SB 8 1000 R	1000	1998		R
	B	YB 10 1000 BIPOSTO	1000	1992		R
	B	YB 11 1000	1000	1997		R
	B	YB 6 1000	1000	1989		R
	B	YB 8 1000 E	1000	1990		R
	B	YB 8 1000 E.I. FURANO	1000	1990		R
	B	YB 8 FURANO 1000	1000	1992		R
	B	SB 6 1100	1100	1997		R
CAGIVA	B	COCIS 50	50	1988		F
	B	COCIS 50	50	1989		F/R



CC FROM TO FRONT / REAR

	B	CUCCILO 50	50	1997		F
	B	LUCKY EXPLORER 50	50	1988		F
	B	SUPERCITY 50	50	1993		R
	B	W4 PRO ACTION 50	50	1994		F
	B	COCIS 80	80	1989		F
	B	SUPERCITY 80	80	1994		R
	B	W4 PRO ACTION 80	80	1994		F
	B	BLUES 125	125	1988	1992	R
	B	ELEFANT 125	125	1987		F
	B	FRECCIA 125	125	1987		R
	B	FRECCIA 125 C10	125	1988		R
	B	FRECCIA 125 C10 ANNIVERSARIO	125	1989		R
	B	FRECCIA 125 C10 R	125	1988		R
	B	FRECCIA 125 C12 R	125	1989	1990	R
	B	FRECCIA 125 C12 R	125	1991		R
	B	FRECCIA 125 C9	125	1988		R
	B	K7 125 ENDURO	125	1991		R
	B	MITO 125	125	1991	1992	R
	B	MITO 125	125	1993		R
	B	MITO 2 125 PRODUCTION RACER / Trofeo	125	1994		R
	B	MITO 525SP	125	2007		R
	B	PLANET 125	125	1998		R
	B	RAPTOR 125	125	2003		R
	B	SUPERCITY 125	125	1994		R
	B	W8 125 PRO ACTION	125	1992	1995	R
	B	WMX 125 CROSS	125	1986		F
	B	ALA BLU 250	250	1983		F
	B	ALA ROSSA 250	250	1983		F
	B	ALA VERDE 250	250	1983		F
	B	SST 250	250	1980		F
	B	SSX 250	250	1982		F
	B	ST 250	250	1982		F
	B	SX 250	250	1982		F
	B	WMX 250	250	2000		F
	B	WMX 250 /1	250	1983		F
	B	WRX 250	250	1983		F
	B	ALA AZZURRA 350	350	1983		F
	B	ALA AZZURRA 350 GT	350	1987		F
	B	ALA BLU 350	350	1983		F
	B	ALA ROSSA 350	350	1983		F
	B	ALA ROSSA 350	350	1988		F
	B	ALA VERDE 350	350	1983		F
	B	ELEFANT 350	350	1985		R
	B	SST 350	350	1981		F
	B	SX 350	350	1982		F
	B	T4 350 R - ER	350	1987		F
	B	W 12 350	350	1992		R
	B	T4 500 E - ER	500	1987		F
	B	WMX 500	500	1984		F
	B	RIVER 600	600	1994		R
	B	ALA AZZURRA 650	650	1984		F/R
	B	ALA AZZURRA 650 GT	650	1987		R
	B	ELEFANT 650	650	1985		R
	B	W 16 650	650	1993		R
	B	DAKAR 750	750	1987		R
	B	ELEFANT 750	750	1987		R
	B	CZ 180	180	1993		F
	B	TT8 75	75	1984		F
CZ	B	502 SINGLE	50	1993	1999	R
DERBI	B	502 SUPERMONO	50	1993	1999	R
DUCATI	B	350 F3	350	1986		F/R
	B	350 INDIANA	350	1987		R
	B	350 S-GTL	350	1975		F/R
	B	350 SPORT GTV-SL-XL	350	1975		F/R
	B	400 DESMO F3	400	1987		F/R
	B	400 MONSTER	400	1995	1997	R
	B	400 MONSTER (JAPAN)	400	2000		R
	B	SS 400 JUNIOR	400	1992		R
	B	SS 400 NUDA	400	1992		R
	B	500 GTL SPORT DESMO	500	1975		F/R
	B	500 GTV	500	1977		F/R
	B	500 PANTAH	500	1977		F/R
	B	S 500	500	1975		F/R
	B	550 SUPERMONO	550	1993	1999	R
	B	600 SUPERSPORT CARENATA	600	1994	1999	R
	B	600 SUPERSPORT NUDA	600	1994	1999	R
	B	M 600 MONSTER	600	1993	1999	R
	B	M 600 MONSTER	600	2000		R



CC FROM TO FRONT / REAR

...FDB207

			CC	FROM	TO	FRONT / REAR
	B	M 620 MONSTER DARK (single/twin disc)	620	2003		R
	B	MULTISTRADA 620 (twin disc)	620	2005	2006	R
	B	MULTISTRADA DARK 620	620	2003	2005	R
	B	650 DESMO	650	1987		R
	B	650 INDIANA	650	1986	1987	F/R
	B	650 INDIANA	650	1987		R
	B	748 BIPOSTO	748	1995	1997	R
	B	748 BIPOSTO	748	1998		R
	B	748 RACING CLIENTI	748	1995	1997	R
	B	748 RACING CLIENTI	748	1998		R
	B	750 F1 DESMO	750	1986		R
	B	750 SUPERSPORT	750	1992	1997	R
	B	M 750 MONSTER	750	1996	1999	R
	B	M 750 MONSTER	750	2000		R
	B	SS 750 CARENATA	750	1993	1998	R
	B	SS 750 NUDA	750	1992	1998	R
	B	MONSTER 800	800	2003	2006	R
	B	MONSTER S2R 800	800	2007		R
	B	851 all models	851	1988	1992	R
	B	880 RACING	880	1994	1995	R
	B	888 all models	888	1992	1995	R
	B	900 all models	900	1992	1998	R
	B	900 I.E. PASO	900	1992	1998	R
	B	900 SUPERMONO DESMO 4	900	1993	1995	R
	B	M 900 MONSTER	900	1993	1999	R
	B	M 900 MONSTER I.E.	900	2000		R
	B	916 RACING CLIENTI	916	1995	1998	R
	B	916 STRADA / SENNA / SP / SPS	916	1994	1997	R
	B	M 916 MONSTER S4	916	2001	2002	R
	B	996 BIPOSTO	996	1999		R
	B	998 R	998	2002		R
	B	998 S	998	2002		R
	B	998 SFE	998	2003		R
	B	MONSTER 1000	1000	2003	2006	R
	B	MONSTER S2R 1000	1000	2007		R
	B	MONSTER S4R /S4RS 1000	1000	2006	2007	R
	B	MONSTER S4R S Testastretta/tricolore	1000	2008		R
FANTIC	B	CABALLERO 50 RC	50	1990		F
GARELLI	B	URKA 50	50	1991		F
	B	TIGER 125 XR	125			F
	B	TIGER 125 XRD	125			F
GILERA	B	ARIZONA 125	125	1983		F
	B	CMM APTS 125	125	1987		R
	B	CRONO 125	125	1991		R
	B	CX 125	125	1991		R
	B	FAST BIKE 125	125	1987		R
	B	GFR 125	125	1993		R
	B	HX 125 LC	125	1983		F
	B	KK 125 APTS	125	1987		R
	B	KZ 125	125	1986		R
	B	KZ 125 ENDURANCE	125	1988		R
	B	MX 1 125	125	1988		R
	B	MX R 125	125	1990		R
	B	R1 125 S	125	1988		R
	B	RX 125	125	1984		F
	B	SP 01 125	125	1989		R
	B	SP 02 125	125	1990		R
	B	XR1 125	125	1988		R
	B	XR2 125	125	1989		R
	B	FAST BIKE 200	200	1987		R
	B	RV 200	200	1985		R
	B	RV 200 ES	200	1987		R
	B	RX 200	200	1985		F
	B	RX 200 ARIZONA	200	1985		F
	B	HX 250 LC	250	1983		F
	B	NGR 250	250	1985		R
	B	RC 250 RALLY	250	1987		R
	B	RX 250 ARIZONA RALLY	250	1986		F
	B	XRT 350	350	1990		R
	B	SATURNO 500 PIUMA	500	1990		R
	B	XRT 600	600	1988		R
HERCULES	B	Lotus 80 SW	80			F
HRD	B	PLATINO 125 ST	125	1986		F
	B	ROAD 125 ST	125	1986		F
HUSQVARNA	B	CR 125	125	1985	1995	F
	B	WR 125	125	1986		F
	B	WR 240	240	1986		F
	B	CR 250	250	1985	1995	F



CC FROM TO FRONT / REAR

			CC	FROM	TO	FRONT / REAR
	B	WR 400	400	1986		F
	B	CR 500	500	1985		F
	B	510	510	1986		F
ITALJET	B	BOSS 350 ENDURO	350			F
	B	CX 350	350	1985		F
	B	ROAD MASTER 350	350			F
KTM	B	COMET 50 PL-RL-RLW-RS4L-TS	50			F
	B	MX 50	50	1987		F
	B	RSV 50	50	1986		F
	B	L-PL-RL-RS-RSL-BORA 80	80			F/R
	B	MX 80 GR - SUPER MINI	80	1986		F
	B	BAJA 125	125	1986		F
	B	GS 125 XC ENDURO SPORT	125	1986	2000	F/R
	B	MX 125 CROSS	125	1985		F
	B	MX 125 CROSS	125	1986		F/R
	B	BAJA 250	250	1986		F
	B	GS 250 XC ENDURO SPORT	250	1986	2000	F/R
	B	MX 250 CROSS	250	1985		F
	B	MX 250 CROSS - DIG.CONTR.	250	1986		F/R
	B	GS 300 XC ENDURO SPORT	300	1986	2000	F/R
	B	COUNTRY 350 CROSS E	350	1985		F
	B	GS 350 ENDURO SPORT	350	1983		F
	B	GS 390 ENDURO SPORT	390	1983		F
	B	MX 495 MC LELEU	495	1982	1983	F
	B	GS 500 K4 ENDURO	500	1983		F
	B	MX 500 CROSS	500	1985		F
	B	MX 500 CROSS	500	1986	2000	F/R
	B	GXE 550	550	1986	2000	F/R
	B	ENDURO 600 all models	600	1986	2000	F/R
	B	GS 600 ENDURO SPORT	600	1985		F
	B	XC-XCE 600 CROSS COUNTRY-BAJA	600	1985		F
LAVERDA	B	OR 50 ATLAS	50	1987		F/R
	B	125	125	2000		F
	B	GS 125 LESMO	125	1986		F/R
	B	350	350	1980		F/R
	B	ALPINO 500	500	1977		F/R
	B	PF 500	500	1977		F/R
	B	RS 500	500	1977		F/R
	B	OR 600	600	1986		F
	B	650 (all models)	650	1995	1996	R
	B	LYNX 650	650	2000		R
	B	GHOST - DIAMANTE 668	668	1997	1998	R
	B	750 S (all models)	750	1999		R
	B	CUP 750	750	1998		R
	B	DIAMANTE 750	750	1997		R
	B	JOTA 1000	1000	1995		R
MAICO	B	GM 250 CROSS	250	1984		F
	B	GME 250 ENDURO	250	1984		F
	B	GM 500 CROSS	500	1984		F
	B	GME 500 ENDURO	500	1984		F
MALANCA	B	E2 C 80 CS	80			F/R
	B	GTI 125	125			F/R
	B	MARK 125 ENDURO	125			F
MONTESA	B	COTA 309	309	1989		R
	B	COTA 314 R	314	1994		R
MONTESA (HONDA)	B	MH 311 260	260	1992	1993	R
	B	COTA 310	310	1989		R
	B	COTA 310 4T / 4RT	310	2007		R
	B	MH 314 R	314	1994	1997	R
	B	MH 315	315	2001		R
	B	MH 315 R	315	1998	2000	R
MOTO GUZZI	B	2C 125 4T	125	1979		F
	B	TT 125	125	1985		F
	B	TS 250	250	1974	1975	F
	B	TS 250	250	1976	1982	F/R
	B	GTS 350	350	1974	1979	F/R
	B	NEVADA 350	350	1993		F/R
	B	NTX 350	350	1987		F/R
	B	NTX 350	350	1990		F
	B	V 35 350	350	1977		F/R
	B	V 35 350 C	350	1982		F/R
	B	V 35 350 FLORIDA	350	1987		F/R
	B	V 35 350 GT	350	1990		R
	B	V 35 350 IMOLA	350	1970	1983	F/R
	B	V 35 350 IMOLA II	350	1984		F/R
	B	V 35 350 TT ENDURO	350	1984		F/R
	B	GTS 400	400	1974	1979	F/R
	B	V 50 500	500	1977	1980	F/R

B = Bike
A = ATV
S = Snowmobile

FERODO
MOTORCYCLE PADS
Updated on 11th Oct 2013

B = Bike
A = ATV
S = Snowmobile

3003



CC FROM TO FRONT / REAR

CC	FROM	TO	FRONT / REAR
...FDB207	B V 50 500 C	500 1982	F/R
	B V 50 500 III	500 1980	F/R
	B V 50 500 MONZA	500 1980	1983 F/R
	B V 50 500 MONZA II	500 1984	F/R
	B NTX 650	650 1990	F
	B V 65 650	650 1981	1983 F/R
	B V 65 650 FLORIDA	650 1987	F/R
	B V 65 650 GT	650 1990	R
	B V 65 650 II ENDURO	650 1984	F/R
	B V 65 650 LARIO	650 1984	F/R
	B V 65 650 SP CHOPPER	650 1981	F/R
	B VT 650 TT BAJA	650 1986	R
	B SP 750 NEVADA	750 1992	F/R
	B SP 750 NEVADA CLUB	750 2000	2002 F/R
	B T 750	750 1992	1994 F/R
	B QUOTA 1000	1000 1993	1995 R
	B LE MANS V 11	1064 2001	R
	B SPORT 1100	1100 1994	1999 R
MOTO MORINI	B CAMEL 501	50 1987	R
	B CAMEL 501	50 2000	F
	B COGUARO 501	50 1989	R
	B EXCALIBUR 501	50 1987	1988 R
	B EXCALIBUR 501	50 1989	R
	B NEW YORK 501	50 1989	R
	B BLUES 125	125 1993	R
	B COGAURO 350	350 1990	R
	B DART 350	350 1988	1989 R
	B DART 350	350 1990	R
	B EXCALIBUR RLX 350	350 1990	R
	B KANGURO 350	350 1987	R
	B NEW YORK 350	350 1989	R
	B WS 350 PRO ACTION	350 1993	R
	B DART 400	400 1990	R
MZ	B SKORPION CUP / SPORT / TOUR / TRAVELLER	660 1995	R
	B SKORPION REPLICA	660 1995	R
NORTON	B FORMULA 1	588 1989	1991 R
PUCH	B MAXI 80	80 1988	R
	B CROSS 250	250 1986	1986 F
	B HFE 250	250 1986	1986 F
	B ENDURO 600 4 VALVES	600 1985	F/R
SWM	B S1 125	125 1983	F
	B S2 125	125 1983	F
	B S1 250	250 1983	F
	B S2 250	250 1983	F
TM	B GS 80	80 1986	1989 R
	B MC 80	80 1986	1989 R
	B GS 125	125 1986	1989 R
	B MC 125	125 1986	1989 R
	B SMM 125 (2T) Black Dream (320mm front disc)	125 2008	2011 R
	B SMM 125 Black Dream (Rim brake)	125 2004	2008 R
	B SMM 250 (2T)	250 2005	2011 R
	B SMM 300 (2T)	300 2005	2011 R
	B SMM 400 (4T) (Rim brake)	400 2004	0000 R
	B SMM 450 Black Dream ES (4T)	450 2005	2008 R
	B SMM 450 F Black Dream ES (320mm front disc)	450 2008	2010 R
	B SMM 530 F Black Dream (Rim brake)	530 2004	2007 R
	B SMM 530 F Black Dream ES (320mm front disc)	530 2008	2010 R
TORNAX	B RX 80	80	F
TRE SOLDI	B CR 80	80 1985	F
YAMAHA	B TDR 125	125 1992	R
	B TZR 125 (Italia)	125 1991	R
	B TZR 125 RED ROCKET	125 1993	R
	B SZR 660	660 1996	1997 R
ZUNDAPP	B KS 80 SUPER	80 1980	F
FDB213	ATK (USA)		1986 R
	B all models 1986		1986 R
	B all models 1988		1988 R
BENELLI	B 560	560 1986	1987 R
BETA	B 254	254 1979	F
	B MS 50	50 1980	F
	B SQUIRREL 50	50 1983	F
CASAL	B RZ 50	50	F
CIMATTI	B Gringo 50	50	F
FANTIC	B STRADA 50 SUPER SIX	50 1973	F
GARELLI	B CICLONE 50 N DE LUXE SELF MIX L.C	50	F
HERCULES	B Lotus 80 SA	80	F
HERCULES (SACHS)	B CHOPPER 50	50	F
	B RX - 9 / RX - 9 50 AIRCOOLED	50	F
	B SUPRA 50 4 GP	50	F



CC FROM TO FRONT / REAR

CC	FROM	TO	FRONT / REAR
	B ULTRA 50 RS	50	F
	B ULTRA 50 RS 40	50	F
	B ULTRA 80 RS	80	F
	B ULTRA 80 RS AC	80	F
	B ULTRA 125 RS	125	F
HOREX	B REBELL 80 N	80	F
	B REBELL 80 SPORTL	80	F
	B REBELL 80 T	80	F
MACAL	B TR 50 TROPHY	50 1999	F
MALAGUTI	B CHOPPER 25	25 2000	F
	B CHOPPER 40	40 2000	F
	B FIFTY 50 HF	50 2000	F
	B GRIZZLY 50 RCX / "12"	50 1987	F
	B LX 50 SPORT	50 2000	F
	B RCW 50 RONCO	50 2000	F
	B VA 50 OLYMPIQUE	50 2000	F
	B WC 50 WATERCOOLED	50 2000	F
	B CHOPPER 80	80 2000	F
MALANCA	B GT 5 50	50	F
	B ST 54	54	F
	B 125	125	F
MOTO GUZZI	B TURISMO 125	125 1974	1981 F
MOTRON	B V 3 50 RID	50	F
OSSA	B TU-YO 360	360	F/R
PUCH	B GTL 50	50	F
	B MONZA 50	50 1984	F
	B 80 /6	80	F
	B 348	348	F
	B 504	504	F
	B 506	506	F
	B 560 (Rotax engine)	560	F
REAL	B NEVADA 80 SPORT	80	F
RIXE	B RS 80 W	80	F
ZUNDAPP	B KS 50 SPORT	50	F
	B KS 50 SUPER SPORT	50	F
	B KS 100	100	F
FDB217	SUZUKI		
	B GS 550 ET - EX - EZ	550 1980	1984 F
	B GS 550 LT - LX	550 1980	1984 F
	B GS 550 MEX	550 1981	1983 F
	B GS 550 MEZ KATANA	550 1981	1983 F
	B GR 650 - X	650 1983	F
	B GS 650 GTX - GTZ - GX	650 1981	1983 F
	B GS 650 GZ KATANA	650 1981	1983 F
	B GS 650 TURBO	650 1983	F
	B GS 650 XN - 85 TURBO	650 1983	F
	B GS 1000 ET	1000 1980	1981 F
	B GSX 1000 S KATANA	1000 1982	F
	B GSX 1100 E - EF - ES	1100 1980	1982 F
	B GSX 1100 G	1100 1980	1982 F
	B GSX 1100 S KATANA	1100 1982	1983 F
FDB218	SUZUKI		
	B GN 250	250 1993	1997 F
	B GN 250 F / J	250 1983	1997 F
	B GNX 250 E	250 1983	F
	B GS 250 E	250 1979	1981 F
	B GS 250 T - TT - TX	250 1979	1981 F
	B GSX 250 E - ET - EX - EZ - T	250 1979	F
	B GSX 250 S	250 1985	1990 F
	B GN 400 TT	400 1980	F
	B GSX 400 ET - EX - EZ	400 1980	1983 F
	B GSX 400 L	400 1980	1983 F
	B GSX 400 TWIN	400 1980	1983 F
	B GSX 400 TX - LX	400 1981	1983 F
	B GS 450 ET - L - T	450 1980	1980 F
	B GS 700 E - ES	700 1985	F
	B GV 700 GL	700 1985	F
	B GV 700 GL MADURA	700 1984	F
	B GSX 750 EFE - ESD - ESG - ESE - SEH - EFF	750 1980	1986 F
	B GSX 750 ET - EX	750 1980	1981 F
	B GSX 750 S KATANA	750 1980	F
	B GS 850 GZ - GE - GG	850 1982	1985 F
	B GS 1000 GT - GX	1000 1980	F
	B GS 1100 GZ	1100 1982	F
	B GV 1200 GL MADURA	1200 1985	1986 F
FDB220	KAWASAKI		
	B Z 1000 E1 - E2 - SHAFT - ST	1000 1979	1981 F
	B Z 1300	1300 1979	1983 F
	B ZG 1300 DF1	1300 1984	1986 F
FDB244	HONDA		
	B CB 125 TDC - TDE - TDJ	125 1983	1989 F
	B CN 250 HELIX	250 1986	1987 F



CC FROM TO FRONT / REAR

...FDB244

B	NS 250 RF	250	1984	1986	F/R		
B	NSR 250	250	1986		R		
B	NSR 250 R	250	1986	1987	R		
B	CBR 400 R HURRICANE	400	1986		R		
B	CBX 400 C	400	1983		R		
B	FT 400	400	1982		F/R		
B	NS 400 RF - RG	400	1985		R		
B	NV 400 SP CUSTOM	400	1988		R		
B	VF 400 F INTEGRA	400	1982		R		
B	VFR 400 R	400	1986	1987	R		
B	CMX 450 CG REBEL	450	1986	1988	F		
B	CX 500 CC - EC	500	1982		F/R		
B	CX 500 T (TURBO)	500	1983		F/R		
B	FT 500 - C	500	1982		F/R		
B	GL 500 DC	500	1982		F		
B	GL 500 SILVER WING INTERSTATE	500	1982		F		
B	VF 500 FE - F2E	500	1984		F		
B	VF 500 FF - F2F	500	1984		F		
B	VT 500 CD - FT	500	1982		F		
B	XBR 500 S - F - G - H	500	1985		F		
B	XL 600 LM-RM-R-V-L	600	1985	1990	F		
B	XL 600 V TRANSALP	600	1987	1990	F		
B	CB 650 SCD	650	1983		F		
B	CBX 650 ED	650	1983		F		
B	CX 650 EC - T	650	1983		F/R		
B	CX 650 ED	650	1982		F		
B	CX 650 TD (TURBO) E	650	1983		F/R		
B	GL 650 D2TE	650	1983		F		
B	GL 650 DD - ID	650	1983		F		
B	CB 700 SC NIGHT HAWK	700	1984		F		
B	VF 700 C MAGNA	700	1984		F		
B	VF 700 C MAGNA	700	1985		F		
B	VF 700 F INTERCEPTOR	700	1984	1985	F		
B	VF 700 S SABRE	700	1984		F		
B	VT 700 C SHADOW	700	1986		F		
B	VT 700 C SHADOW	700	1987		F		
B	B 750 EC - ED	750	1982		F/R		
B	B 750 F2 - F2D	750	1982		F/R		
B	CB 750 K	750	1982		F/R		
B	CB 750 SC NIGHTHAWK	750	1982	1983	F		
B	CBX 750 FE	750	1983	1984	F		
B	VF 750 C-SC-CC-F-FC	750	1983		F		
B	VF 750 F-FD-FE-MAGNA-SABRE-INT	750	1982		F		
B	VT 750 C SHADOW	750	1983	1985	F		
B	VT 750 C SHADOW	750	1986	1996	F		
B	XLV 750 R - RD - RF	750	1984	1988	F		
B	VT 800 C	800	1988		F		
B	CB 900 F2B - FB	900	1982	1983	F/R		
B	CB 900 FD - FC - F2C - F2D	900	1983	1985	F/R		
B	CBX 1000 B - C	1000	1981	1982	F/R		
B	VF 1000 - 2	1000	1984	1986	F		
B	VF 1000 BOL D'OR	1000	1984	1986	F		
B	VF 1000 F - FE	1000	1984	1986	F		
B	VF 1000 RE - RF	1000	1984	1986	F		
B	CB 1100 FD	1100	1980	1983	F/R		
B	CB 1100 RBI - II	1100	1980	1983	F/R		
B	CB 1100 RCII	1100	1980	1983	F/R		
B	CBX 1100 F	1100	1982	1985	R		
B	GL 1100 / DX	1100	1982		F/R		
B	VT 1100 C	1100	1985	1993	F		
B	VT 1100 C MAGNA	1100	1983	1985	F/R		
B	GL 1200 DX all models	1200	1984	1986	F/R		
B	GL 1500 GOLD-ASPENCADE	1500	1992		R		
B	GL 1500 SE GOLD WING	1500	1993	2000	R		
B	GL 1520	1500	1988	1989	R		
B	VT 800 C	800	1988	1990	F		
KAWASAKI							
FDB247	YAMAHA	B	XS 750 SE - SG	750	1979	1980	F
		B	XV 750 SE	750	1981		F
		B	XS 850 (left)	850	1980	1982	F
FDB250	BETA	B	EVO 80	80	2008		R
	CAGIVA	B	WR 125	125	1993		R
	DAELIM	B	"S" FIVE / "E" FIVE	50	2001		F
		B	CORDI 50	50	2004		F
		B	GZ 50 MESSAGE	50	2001	2003	F
		B	TAPO 50	50	1999	2003	F
		B	VIVO 50	50	1999		F
		B	ALTINO 100	100	1999		F
		B	DELFINO 100	100	1999	2000	F



CC FROM TO FRONT / REAR

...FDB277

B	DELFINO 100	100	2001	2003	F		
B	ALTINO 125	125	2001		F		
B	HISTORY 125	125	2001		F/R		
B	NS 125	125	2001		F/R		
B	OTELLO / NS 125	125	1999		F		
B	VS 125	125	1995	1998	F		
B	CRM 50	50	1988	1992	F		
B	CRM 50	50	1993	1996	F		
B	G-DASH 50	50	1989	1992	F		
B	MB 50	50	1982		F		
B	MXR 50	50			F		
B	CR 80 R	80	1987	1991	F		
B	CR 80 R	80	1992	2006	F		
B	CRM 80	80	1988	1992	F		
B	CRM 80	80	1993		F		
B	MBX 80 FWD	80	1983		F		
B	CB 125 RS	125	1983		F		
B	RS 125 R	125	1995		R		
B	RS 250 R	250	1995		R		
B	SILVER WING 600 (hand brake)	600	2001		F		
HONDA							
HONDA 3 WHEELERS	A	ATC 250 R	250	1981	1982	F	
HUSQVARNA	B	125 ALL MODELS 1992	125	1992		R	
	B	250 ALL MODELS 1992	250	1992		R	
	B	TC 610 CROSS	610	1991		R	
	B	TE 610	610	1991		R	
HYOSUNG ATV	A	TE 450 S	450	2007	2010	F/R	
KAWASAKI	B	KX 65	65	1999		R	
	B	KX 65	65	2000		R	
	B	BN 125 A1/A2 ELIMINATOR	125	1998	1999	F	
	B	KH 125 K1	125	1982	1998	F	
KAWASAKI ATV	A	KVF 300 PRAIRIE (2x4/4x4)	300	1999	2002	F	
	A	KVF 360 PRAIRIE (All Models)	360	2003	2010	F	
MOTRON	B	KCV 50	50			F	
SUZUKI	B	DR 125 S	125	1986	1993	F	
	B	TS 125	125	1990	1996	R	
	B	TS 125 RK	125	1989		F	
	B	TS 125 X	125	1988		F	
	B	TX 125 XF	125	1985		F	
	B	DR 200	200	2000		F	
	B	DR 200 K	200	1989	1998	F	
	B	DR 250 S	250	1986	1989	F	
	B	RH 250 X	250	1987		F	
	B	TS 250 X all models 250	250	1986	1989	F	
	B	VS 1400 GLPT/GLPV	1400	1996	2002	R	
SUZUKI ATV	A	LT-F 250 K OZARK	250	2002	2007	F	
	A	LT-A/F 400 EIGER (All models)	400	2002	2008	F	
	A	LT-A 500 FK2 VINSON 4x4	500	2001	2007	F	
	A	LT-A/F 500 FK VINSON	500	2003	2007	F	
SYM ATV	A	Quadlander 600	600	2008	2010	F	
UM ATV	A	MTX 450	450	2008		F/R	
YAMAHA ATV	A	YFS 200 BLASTER	200	2003	2006	F	
	A	YFM 250 Big Bear	250	2007	2009	F	
	A	YFM 250 BRUIN	250	2005	2006	F	
	A	YFM 350 2x4 Grizzly	350	2007	2010	F	
	A	YFM 350 4x4 Grizzly	350	2007	2010	F	
	A	YFM 350 BRUIN (All Models)	350	2004	2006	F	
	A	YFM 350 FW 4WD BIG BEAR	350	1999	2003	F	
	A	YFM 350 FX WOLVERINE	350	1995	2007	F	
	A	YFM 350 X Wolverine	350	2006	2009	F	
	A	YFM 350 XT/XU WARRIOR	350	1987	1988	R	
	A	YFM 350 XW-XS WARRIOR	350	1989	2004	F	
	A	YFZ 350 A/B/D/E/F BANSHEE	350	1990	2006	F	
	A	YFM 400 4x4 Grizzly	400	2007	2008	F	
	A	YFM 400 BIG BEAR (All Models)	400	2000	2007	F	
	A	YFM 400 FW Kodiak	400	1999	2000	F	
	A	YFM 400 FW KODIAK (All Models except AUTO)	400	2000	2006	F	
	A	YFM 400 KODIAK AUTO	400	2003		F	
	A	YFM 450 Grizzly (All models)	450	2007	2010	F	
	A	YFM 450 KODIAK	450	2003	2006	F	
	A	YFM 450 WOLVERINE (All models)	450	2006	2010	F	
FDB277	YAMAHA	B	RD 50 MX	50	1981	1987	F
		B	RD 80 AIR COOLED	80	1981	1982	F
		B	RD 80 MX	80	1981	1982	F
		B	RX 80 SE	80	1982		F
		B	RD 250 LC	250	1981	1983	F
		B	RD 350 LC	350	1981	1982	F
		B	XJ 550	550	1981	1984	F
		B	XJ 750	750	1982	1984	F

B = Bike
A = ATV
S = Snowmobile

B = Bike
A = ATV
S = Snowmobile



CC FROM TO FRONT / REAR

Code	Brand	Model	CC	FROM	TO	FRONT / REAR		
...FDB277		B XV 1000 SE MIDNIGHT SPECIAL	1000	1983		F		
		B XS 1100 S	1100	1981		F		
FDB298	KAWASAKI	B Z 250 A3	250	1981	1983	F		
		B Z 250 J1	250	1981	1983	F		
		B GPZ 400	400	1983	1984	R		
		B Z 400 GP (M1)	400	1983		R		
		B Z 440 C2	440	1981		F		
		B Z 440 D5 LTD	440	1981	1983	F		
		B Z 440 H1 - H2	440	1981	1983	F		
		B Z 550 GP	550	1984		R		
		B Z 550 GP D1 - H1 - H2	550	1981	1983	R		
		B GT 750	750	1985	1996	R		
		B Z 750 E1	750	1980		R		
		B Z 750 GP R1	750	1982		R		
		B Z 750 H1 - H2 LTD	750	1980		R		
		B Z 750 L1 - L3	750	1981		R		
		B Z 750 LTD TWIN K1	750	1983		F		
		B Z 750 P1	750	1981		R		
		B Z 750 P2 SHAFT	750	1981		R		
		B Z 750 P2 SHAFT GT	750	1981		R		
		B Z 750 SPORT	750	1984		R		
		B KZ 1000 all models	1000	1982	1990	F/R		
		B Z 1000 LTD	1000	1981		R		
B GPZ 1100 (ZX 1100 B1-B2)	1100	1982	1983	F/R				
B Z 1100 A1/3 - B1/2 - F1	1100	1981	1983	R				
B Z 1100 GP	1100	1981	1983	R				
B Z 1100 ST	1100	1981	1983	R				
FDB299	KAWASAKI	B GPZ 400	400	1983	1984	F		
		B Z 400 GP (M1)	400	1983		F		
		B Z 400 J2 - J3	400	1981	1983	F		
		B Z 550 A3 - C1 - C2 LTD	550	1980		F		
		B Z 550 GP	550	1984		F		
		B Z 550 GP D1 - H1 - H2	550	1981	1983	F		
		B Z 650 F2 - F4	650	1980	1983	F		
		B GT 750	750	1985	1996	F		
		B Z 750 E1	750	1980		F		
		B Z 750 GP R1	750	1982		F		
		B Z 750 H1 - H2 LTD	750	1980		F		
		B Z 750 L1 - L3	750	1981		F		
		B Z 750 P1	750	1981		F		
		B Z 750 P2 SHAFT	750	1981		F		
		B Z 750 P2 SHAFT GT	750	1981		F		
		B Z 750 SPORT	750	1982		F		
		B Z 750 Y1 LTD	750	1982		F		
		B Z 1000 LTD	1000	1981		F		
B Z 1100 A1/3 - B1/2 - F1	1100	1981	1983	F				
B Z 1100 GP	1100	1981	1983	F				
B Z 1100 SPECTRE - LTD	1100	1981	1983	F/R				
B Z 1100 ST	1100	1981	1983	F				
FDB310	HONDA	B MVX 250 F	250	1988		F		
		B VT 250 F2	250	1983	1984	F		
		B VT 250 FZ	250	1982	1987	F		
		B VTR 250 INTERCEPTOR	250	1988		F		
		B VT 500 ED - EF - C	500	1983		F		
		B CBX 550 FC - FD - F2C - F2D	550	1982	1984	F/R		
		B CB 650	650			F/R		
		FDB311	YAMAHA	B RD 80 LC1	80	1982		F
				B RD 80 LC2 - LCS	80	1982		F
				B RD 125 LC	125	1982	1984	F
B SR 125	125			1993	1996	F		
B XV 240 VIRAGO	240			1991	1992	F		
B XV 240 VIRAGO	240			1992	2000	F		
B SR 250 E (Espana)	250			1990	1994	F		
B XV 250 VIRAGO	250			1993	1994	F		
B RD 350 YPVS	350			1983	1984	F		
B XT 350 4 VALVES	350			1985		F		
B XS 400 DOHC	400			1982		F		
B XS 400 SPECIAL	400			1982		F		
B XT 500 (Austria)	500			1983		F		
B XZ 550	550			1982	1984	F		
B XZ 550 S	550			1984	1986	F		
B TT 600 N	600			1985	1988	F		
B XT 600 4 VALVES	600			1984	1985	F		
B XT 600 Z TENERE	600	1983	1984	F				
B XJ 650 TURBO	650	1983		F				
FDB312	DAELIM	B CITY ACE 110	110	2003		F		
	HONDA	B MBX 50 SD - SF	50	1983		F		
		B NSR 50	50	1993	1994	F		



CC FROM TO FRONT / REAR

Code	Brand	Model	CC	FROM	TO	FRONT / REAR		
		B NSR 50 (Spain)	50			F		
		B NSR 75 / FII	75	1988	2000	F		
		B MBX 80	80	1982		F		
		B MBX 80 (ESPANA)	80	1984		F		
		B MBX 80 DX	80	1982		F		
		B MBX 80 VOLLUERKLEIDUNG	80	1985		F		
		B NSR 80 R	80	1987	1992	F		
		B CH 125 SPACY	125	1998		F		
		B FS 125 Sonic	125	2003	2004	F		
		B MBX 125 RWB	125	1984	1986	F		
		B CB 250 REBEL	250	1986		F		
		B COMET 125 / GT 125R	125	2004		F/R		
		B GV 125 AQUILA	125	2001		F		
		B KARION RT 125 D	125	2002		F		
		B RX 125	125	2001	2007	F		
		B RX 125 SM	125	2007		F/R		
		B XRX 125 OFFROAD	125	1999		F		
		B COMET 250 / GT 250R	250	2004		F/R		
		B GV 250 AQUILA	250	2001		F		
		B COMET GT 650	650	2006	2009	F/R		
		B COMET GT 650 / R	650	2010		R		
		B COMET GT 650R	650	2004	2009	F/R		
		B GT 650 R / S	650	2004		F/R		
		B GV 650	650	2004	2005	F		
		B GV 650 AQUILA	650	2006		F/R		
		B AQUILA GV 700	700	2010		R		
		B GV 1000	1000	2004		F		
		B GRIFON 650	650	2007		F		
		B ACTIVE 50 SR	50	2008		F		
		B JETIX 50	50	2008		F		
		B NEXXON 50	50	2008		F/R		
		B NEXXON 125	125	2007		F/R		
B PULSAR 125	125	2001	2006	F				
B STRAIGHT 150	150	2008		F/R				
FDB313	ADLY	B Cat 50	50	1998		F		
		B G-Shock 50	50	1998		F		
		B Super Sonic 50	50	2000		F		
		B Thunderbike 50	50	1997		F		
		B Cat 100	100	1998		F		
		B G-Shock 100	100	1998		F		
		B Cat 125	125	1998		F		
		B ADLY ATV	A 300 Utility	300	2006		F/R	
			A Interceptor 300	300	2006		F/R	
		B APRILIA	B RS4 50 (Rear JJ caliper)	50	2011		R	
			B RS4 125 4T (Rear JJ caliper)	125	2011		R	
		B BOMBARDIER ATV	A RALLY 200	200	2003	2007	F	
		B CAN AM ATV	A DS 90 X (2x4/4T)	90	2008	2010	F/R	
			A Rally 200	200	2007		F	
		B CPI	B HUSSAR 50	50	2001	2002	F	
		B DINLI ATV	A Diamond Back 90	90	2006		R	
		B E-TON ATV	A BXL-50 Draco	50	2005	2006	R	
			A Viper 50 Mini RXL 50 M (4T)	50	2003	2008	R	
			A Viper 50 RXL 50	50	2003	2006	R	
			A Viper 70 RLX 70/70M (2T/4T)	70	2005	2009	R	
			A RXL 90 R Viper 90 R Reverse (2T/4T)	90	2003	2009	R	
			A RXL 90 Viper 90	90	2003	2006	R	
			A BXL 100 Draco	100	2005	2006	R	
			A Viper EXL 150 ST Quad	150	2005	2006	F	
			A Yukon ELX 150	150	2005	2006	F	
			A Vector VXL 250 ST Quad	250	2006	2009	F/R	
		HONDA	B MB 80	80	1980		F	
			B MCX 80 all models	80	1982	1984	F	
			HYOSUNG	B AVANTI 50	50	1999		F
				B RUSH 50	50	1997		F
				B SENSE 50	50	1998		F
				B SF 50 / RALLY / RACING	50	1999		F
B SUPER CAB 50	50			1995	1997	F		
B SUPER CAB 50 PLUS	50			1998		F		
B CAB 100	100			1998		F		
B KR 110 MASTER	110			2004		F		
B MIDAS 110 PLUS	110	1998		F				
KAWASAKI	B AR 50	50	1981	1995	F			
	B KMX 50	50	1988		F			
	B KSR 50 I/II	50	1990	1991	F			
	B AR 80	80	1981	1982	F			
	B KD 80	80	1988	1990	F			
	B KX 80 E2	80	1984	1986	F			
	B KX 80 R3	80	1993	1996	F			



CC FROM TO FRONT / REAR

...FDB313

	B	KX 80 S1 - V1	80	1988	1991	F
	B	KX 100	100	1988	1991	F
	B	KDX 125 A1	125	1990	1994	F
	B	KMX 125	125	1986	2001	F
	B	KX 125 B1	125	1981		F
	B	KMX 200	200	1988	1992	F
	B	KX 250 B1	250	1982		F
KAWASAKI 3 WHEELERS	A	KXT 250 TECATE	250	1984	2000	R
KAWASAKI ATV	A	KXF 250 Tecate	250	1989		R
MALAGUTI	B	CENTRO 50 4T / SL 4T	50	2008		F
	B	F12 R PHANTOM	50	2009		F
PEUGEOT	B	BUXI RS 50	50	1994	1997	F
	B	SPEEDFIGHT 50 M (Heng-Tong caliper)	50	1997		F
	B	SQUAB 50 (Heng-Tong caliper)	50	1996	2001	F
	B	TREKKER 50 ROAD	50	1997		F
PGO	B	COMET 50	50	1991		F
	B	GALAXI 50	50	1992		F
	B	PS 50	50	1993		F
	B	GALAXI 90	90	1992		F
PIAGGIO	B	NGR 50 POWER DD / Silver Bullet	50	2005		F
	B	NGR 50 POWER DT	50	2005	2007	F
	B	NRG 50 Power DD	50	2010		F
	B	NRG 50 Power Pure Jet	50	2004	2008	F
POLARIS ATV	A	Phoenix 200 (Rear disc model)	200	2005	2008	F/R
	A	PHOENIX 200 (Rear drum model)	200	2005	2010	F
	A	Sawtooth 200 (Rear disc model)	200	2006		F/R
	A	SAWTOOTH 200 (Rear drum model)	200	2006		F
SUZUKI	B	ADDRESS 50	50	1992	1995	F
	B	SEPIA 50	50	1992	1995	F
	B	SEPIA AU 50 ZZ	50	1996	1998	F
	B	TUNE 50	50	1993	1995	F
	B	ZZ 50	50	1992	1995	F
	B	LIDO 75	75	1989		F
	B	AH 80	80	1992	1994	F
	B	RM 80 L/M	80	1990	1994	F/R
	B	RM 80 X	80	1986	1989	F
	B	RM 80 XT- XV - X	80	1996	2001	R
	B	RM 85 L	85	2002	2004	R
	B	ADDRESS 100 V	100	1992	1996	F
	B	LIDO 125 VARIO	125	1990	1993	F
	B	GV 1400	1400	1985	1986	R
TGB	B	203 TRIGGER 50	50	2002		F
TM	B	80/85 Minicross/Junior	80	1996	2000	F
UM ATV	A	Moontrax 50 R	50	2003	2006	R
	A	Earthlander 90 R	90	2005	2006	R
	A	Moontrax 90 R	90	2003	2006	R
	A	Earthlander 200	200	2005	2006	R
YAMAHA ATV	A	YFM 90 Raptor	90	2009	2010	R

FDB314

ALFER	B	AR 250	250	1992		R
	B	AR 250	250	1993		R
	B	VR 250	250	1994		R
APRILIA	B	TUAREG 350 WIND	350	1989		R
	B	TUAREG 350 WIND	350	1990		R
	B	TUAREG 600 WIND	600	1989		F/R
BUELL	B	all models	80	1994	1997	R
GASGAS	B	ENDURCROSS 80	80	1994		R
	B	ENDURCROSS 125	125	1994		R
	B	CROSS 250	250	1995		R
HUSABERG	B	501 ENDURO	50	1992	1993	R
	B	MC 350	350	1991	1993	R
	B	500 all models	500	1991	1992	R
	B	500 all models	500	1993	1995	R
	B	600 ENDURO	600	1992	1993	R
	B	EF 600 E (Quad)	600	1998		R
HUSQVARNA	B	CR 125 CROSS	125	1991	1995	R
	B	WR 125	125	1991	1997	R
	B	WR 240	240	1991		R
	B	CR 250 CROSS	250	1991	1995	R
	B	WR 250	250	1990		R
	B	WR 250	250	1991	1997	R
	B	WR 260	260	1991		R
	B	TE 350	350	1990	1995	R
	B	TE 510	510	1990		R
KAWASAKI	B	KSR 50 I/II	50	1990	1991	R
	B	KX 80 H - K2	80	1987	1987	F
	B	KX 80 S1 - V1	80	1992		R
	B	KH 100 G4	100	1983		F
	B	AR 125 A1 - LC	125	1982	1994	F



CC FROM TO FRONT / REAR

	B	KH 125 EX	125	1982	1983	F
	B	KH 125 K2-4 - L1	125	1982	1983	F
	B	KMX 125	125	1986	2001	R
	B	KX 125	125	1986		F/R
	B	KX 125 B2 - C1	125	1982	1985	F
	B	KX 125 E2 - D1 - E2	125	1987	1988	R
	B	KDX 200 C1	200	1986	1988	F
	B	KDX 200 E1	200	1989		F
	B	KMX 200	200	1988	1992	R
	B	Z 200 A6	200	1983		F
	B	EX 250 H1 - H2	250	1990		R
	B	GPZ 250	250	1985		F
	B	KDX 250 BALIUS	250	1991	1993	R
	B	KDX 250 ESTRELLA	250	1992	1994	F/R
	B	KL 250 SUPER SHERPA	250	2000		R
	B	KLE 250 ANHELO	250	1993	1999	R
	B	KLR 250 all models	250	1984	2000	F
	B	KLX 250 H1 SUPER SHERPA	250	1998	2005	R
	B	KMX 250	250	1989		F/R
	B	KX 250	250	1986		F/R
	B	KX 250 C1 - C2	250	1983	1985	F
	B	KX 250 E1 - F1	250	1987	1988	R
	B	ZXR 250	250	1989		R
	B	ZZR 250 (EX 250 H)	250	1990	1993	R
	B	GPZ 305 A1	305	1983	1996	F
	B	GPZ 305 B2 - B3	305	1983	1996	F
	B	GPZ 305 BELT DRIVE	305	1983	1996	F
	B	EX 4 400	400	1995		R
	B	GPX 400	400	1985		F
	B	GPZ 400	400	1985	1987	F
	B	KLE 400	400	1991		R
	B	LX 400 ELIMINATOR - SE	400	1990		F
	B	XANTUS 400	400	1992		R
	B	Z 400 F2	400	1985	1987	F
	B	ZR 400 A1 - F	400	1983		F
	B	ZX 400 C2	400	1985		F
	B	GPZ 500 S	500	1988		F
	B	GPZ 500 S	500	1989	1992	F
	B	GPZ 500 S	500	1994	1997	R
	B	KLE 500	500	1991		R
	B	KX 500	500	1986		F/R
	B	KX 500 A1 - A2	500	1983	1985	F
	B	KX 500 C1	500	1987	1988	R
	B	Z 500 F	500	1983		F
	B	ZR 500 A1	500	1983		F
	B	Z 550 F	550	1983	1984	F
	B	Z 550 G1 SHAFT	550	1983		F
	B	Z 550 GT - SPORT	550	1983		F
	B	ZR 550 A1	550	1983	1984	F
	B	KLR 570	570	1988		F
	B	KLE 600	600	1992		R
	B	KLR 600	600	1984	1988	F
	B	KLR 600 ELECTRIC STARTER	600	1985		F
	B	KLR 600 S	600	1992		F
	B	KL 650 TENGAI	650	1989	1992	R
	B	KLR 650	650	1987	1994	R
	B	KLR 650	650	1995		R
	B	ZX-7 750 R NINJA	750	1989	1995	R
	B	ZX-7 750 R NINJA	750	1996	1999	R
	B	ZX-7 750 R NINJA (Racing Applications)	750	1996	1999	R
KAWASAKI 3 WHEELERS	A	KXT 250 A2 / B1 TECATE	250	1985	1986	F/R
	A	KXT 250 B2 TECATE	250	1987	2000	F
KAWASAKI ATV	A	KLF 300 BAYOU B Series	300	1988	2004	F
KTM	B	125	125	1989	1990	F/R
	B	250	250	1989	1990	F/R
	B	350	350	1989	1990	F/R
	B	GS 350 4 STROKE	350	1993		R
	B	THE DUKE 400	400	1994	1998	R
	B	500	500	1989	1990	F/R
	B	MX 600	600	1992		R
KYMCO	B	VISA R	50	2010		F
	B	VISA R 110	110	2010		F
	B	AGILITY CITY 125 - 16"	125	2008		R
SUZUKI	B	OR 50	50	1980		F
	B	ZR 50 SKX - SLKX	50	1981	1987	F
	B	3 E 80	80			F
	B	GT 80 L	80	1981		F
	B	RG 80 GAMMA	80	2000		F

B = Bike
A = ATV
S = Snowmobile

B = Bike
A = ATV
S = Snowmobile



CC FROM TO FRONT / REAR

Code	Brand	Model	CC	FROM	TO	FRONT / REAR		
...FDB314	TM YAMAHA	B GP 100 C - DEN - N - X	100	1978	1987	F		
		B GN 125 R	125	1994	2001	F		
		B GS 125 ESR / ESX	125	1995	2000	F		
		B GS 125 ESZ	125	1982		F		
		B RG 125 E	125	1982	1984	F		
		B X4 125	125			F		
		B GSX 400 F (FOUR) FZ	400	1981	1983	F		
		B GSX 400 FD	400	1981	1983	F		
		B GS 450 S	450	1987		F		
		B all models 80	80	1990	1993	R		
		B GS / MC 125	125	1990	1993	R		
		B TDR 125 (Italia)	125	1990	1991	R		
		FDB333	HARLEY DAVIDSON	B XLX	883	1983		F
				B XLCH 1000 Sportster®	1000	1978	1979	F
B XLCR 1000 Cafe Racer	1000			1977	1978	F		
B XLH 1000 Sportster®	1000			1978	1981	F		
B XLH 1000 Sportster®	1000			1982	1983	F		
B XLS 1000 Roadster®	1000			1979	1981	F		
B XLS 1000 Roadster®	1000			1982	1983	F		
B FX Super Glide®	1340			1978	1981	F		
B FXB Sturgis® Belt	1340			1977	1981	F		
B FXB Sturgis® Belt	1340			1982		F		
B FXE Super Glide®	1340			1978	1981	F		
B FXE Super Glide®	1340			1982	1983	F		
B FXEF Super Glide®	1340			1978	1981	F		
B FXR Super Glide® II	1340			1982	1983	F		
B FXRS Super Glide® II	1340			1982	1983	F		
B FXRT Sport Glide®	1340			1983		F		
B FXS Sturgis®	1340			1977	1981	F		
B FXS Sturgis®	1340			1982		F		
B FXSB Low Rider®	1340			1983		F		
B FXWG Wide Glide®	1340			1980	1981	F		
B FXWG Wide Glide®	1340	1982	1983	F				
FDB334	HARLEY DAVIDSON	B XLCH 1000 Sportster®	1000	1978	1979	R		
		B XLCR 1000 Cafe Racer	1000	1977	1978	R		
		B XLH 1000 Sportster®	1000	1978	1981	R		
		B XLS 1000 Roadster®	1000	1979	1981	R		
		B FLHT Electra Glide® (all models)	1340	1983		F		
		B FLT Tour Glide® (all models)	1340	1980	1983	F		
		FDB335	HARLEY DAVIDSON	B XL 883 EVO	883	1986	1987	R
				B XLX	883	1983		R
B XLX	883			1984	1985	R		
B XLH 1000 Sportster®	1000			1982	1983	R		
B XLH 1000 Sportster®	1000			1984	1985	R		
B XLS 1000 Roadster®	1000			1982	1983	R		
B XLS 1000 Roadster®	1000			1984	1985	R		
B XR 1000	1000			1983	1985	R		
B XL 1100 EVO	1100			1986		R		
B FLST Heritage Softail®	1340					R		
B FXB Sturgis® Belt	1340			1982		R		
B FXE Super Glide®	1340			1982	1983	R		
B FXE Super Glide®	1340			1984	1985	R		
B FXEF Super Glide®	1340			1984	1985	R		
B FXLR Low Rider® Custom	1340				2000	R		
B FXR Super Glide®	1340			1986		R		
B FXR Super Glide® II	1340			1982	1983	R		
B FXRD Sport Glide® Grand Touring	1340			1986		R		
B FXRS Low Glide	1340			1984		R		
B FXRS Super Glide® II	1340			1982	1983	R		
B FXRT Sport Glide®	1340			1983		R		
B FXRT Sport Glide®	1340			1984		R		
B FXS Sturgis®	1340			1982		R		
B FXSB Low Rider®	1340			1983		R		
B FXSB Low Rider®	1340			1984	1985	R		
B FXST Softail®	1340			1984		R		
B FXSTC Softail® Custom	1340			1986		R		
B FXWG Wide Glide®	1340			1982	1983	R		
B FXWG Wide Glide®	1340	1984	1986	R				
FDB337	NORTON YAMAHA	B COMMANDER	580	1990		F/R		
		B 125 BIKAN	125	1991		R		
		B TZR 125	125	1990	1992	F		
		B YD 250 S	250	1991		F		
		B RD 350 YPVS	350	1983	1984	R		
		B FZ 400	400	1986		F		
		B FZR 400 R	400	1987	1990	R		
		B SRX 400	400	1985	1986	F		
		B SRX 400	400	1990	1996	R		
		B XJR 400 R	400	1997		R		



CC FROM TO FRONT / REAR

Code	Brand	Model	CC	FROM	TO	FRONT / REAR
FDB338	KAWASAKI	B RD 500 LC	500	1984	1986	F
		B RD 500 YPVS LC	500	1984	1987	F
		B FZ 600	600	1987	1988	F
		B FZR 600	600	1989		F/R
		B FZR 600 R	600	1990		R
		B FZR 600 R	600	1991	1995	R
		B XJ 600 RADIAN	600	1984	1991	F/R
		B YZF 600 R	600	2000		R
		B YZF 600 R THUNDERCAT	600	1995	1998	R
		B FZ 750	750	1985	1986	F/R
		B FZ 750 GENESIS	750	1987	1988	F/R
		B FZR 750 (O W01)	750	1989	1991	R
		B FZR 750 GENESIS	750	1987		R
		B FZX 750	750	1987		F/R
		B XJ 750 F	750	1984		F/R
		B XV 750	750	1989	1993	F
		B YZF 750 RR-SP	750	1993	1998	R
		B TDM 850	850	1991	1995	R
		B TDM 850	850	1996	2001	R
		B TRX 850	850	1995	1999	R
		B XJ 900	900	1983	1984	F/R
		B XJ 900 F	900	1985	1994	F/R
		B XJ 900 F DIVERSION	900	1995		R
		B XJ 900 SECA DIVERSION	900	1995	2003	R
		B FZR 1000 EX-UP	1000	1991	1993	R
		B FZR 1000 GENESIS - EX-UP	1000	1986	1988	R
		B FZR 1000 GENESIS - EX-UP	1000	1994	1995	R
		B FZR 1000 R	1000	1994	1995	R
		B FZR 1000 R - EX-UP	1000	1989	1990	R
		B GTS 1000	1000	1993	1999	R
		B XV 1000 VIRAGO	1000	1986	1988	F
		B YZF 1000 THUNDERACE	1000	1996	2001	R
		B BT 1100 BULLDOG	1100	2002		R
		B FJ 1100 J	1100	1984	1985	F/R
		B XV 1100 VIRAGO	1100	1989	1993	F
		B XVS 1100 DRAG STAR / CLASSIC	1100	1999		R
		B FJ 1200	1200	1986	1987	F/R
		B FJ 1200	1200	1988	1989	R
		B FJ 1200	1200	1999		R
		B FJ 1200 ABS	1200	1991	1995	R
B FJ 1200 W - WC	1200	1989	1991	R		
B XJR 1200	1200	1994		R		
B XJR 1200	1200	1995	1998	R		
B XVZ 1200 12 T TD	1200	1985	1987	F/R		
B YMX 1200 12N V - MAX	1200	1993	2003	R		
B YMX 1200 12N V - MAX	1200	2000		F/R		
B XJR 1300 / SP	1300	1999	2001	R		
FDB338	SUZUKI	B ZX 400 L	400	1992		R
		B ZXR 400	400	1991		R
		B ZXR 400 (ZX 400L) RR	400	1992		R
		B ZXR 750	750	1989	1990	R
		B ZXR 750 R	750	1993	1995	R
		B ZR 1100 C1	1100	1997	2000	R
		B ZRX 1100	1100	1996	2000	R
		B ZZR 1100 GT (ZX 1100 D)	1100	1993	2001	R
		B ZRX 1200 R - S	1200	2000		R
		B ZRX 1200 R - S	1200	2001		R
		B ZX 12 1200 R	1200	2000	2003	R
		B ZX 12 1200 R (Racing Applications)	1200	2000	2003	R
		B ZX-12R 1200	1200	2004		R
		B ZX-12R 1200 - Racing Applications	1200	2004		R
		B ZZR 1200	1200	2002		R
		B RG 50 GAG - GAMMA	50	1987		F
		B 250 BANDIT	250	1990		R
		B ACROSS 250	250	1990		R
		B COBRA 250	250	1989		R
		B COBRA 250	250	1990		R
		B GF 250 S	250	1986		R
		B GOOSE 250	250	1992		R
		B GS 250 FW	250	1984		F/R
		B GSF 250 BANDIT	250	1990		R
B GSX 250 S KATANA	250	1991		R		
B GSX-R 250	250	1987	1988	R		
B GSX-R 250 R - R/SP	250	1989		R		
B RG 250 W GAMMA	250	1984	1987	R		
B RG 250 W GAMMA	250	2000		F/R		
B RGV 250 R	250	1988		R		
B RGV 250 R	250	1989		R		



FRONT

/ REAR

...FDB338

CC	FROM	TO	FRONT / REAR
B	WOLF 250	250 1990	R
B	GOOSE 350	350 1992	R
B	GSF 400 BANDIT	400 1991 1992	R
B	GSF 400 BANDIT	400 1993 1994	R
B	GSF 400 BANDIT	400 1995 1997	R
B	GSF 400 S KATANA	400 1989 1990	R
B	GSX 400 FWS - D - E	400 1983	F/R
B	GSX 400 IMPULSE	400 1994 1996	R
B	GSX 400 KATANA	400 1989 1992	R
B	GSX 400 R I/II	400 1985 1986	R
B	GSX 400 S	400 1983	F/R
B	GSX 400 X IMPULSE 400	400 1986 1988	R
B	GSX-R 400	400 1990	R
B	GSX-R 400 (III-IV)	400 2000	R
B	GSX-R 400 (V)	400 1989 1990	R
B	GSX-R 400 (JAPAN)	400 1985	F
B	GSX-R 400 R	400 1990 1995	R
B	RF 400 RVC	400 1993	R
B	RG 400 GAMMA	400 1985	R
B	GS 450 S	450 1987	R
B	GS 500 E - K - FK	500 1996	R
B	GS 500 E - K - L - M	500 1989 1993	R
B	RG 500 RF GAMMA	500 1985 1987	R
B	GSX 550 EF - EFE	550 1983 1987	F/R
B	GSX 550 ES - ESE	550 1983 1987	F/R
B	GSX 550 ESD - ES4	550 1983 1987	F/R
B	GSX 550 ET - EV	550 1987	F/R
B	GSF 600 BANDIT	600 1995 1999	R
B	GSF 600 BANDIT (left)	600 2000	R
B	GSF 600 BANDIT - KATANA (left)	600 1998	R
B	GSX 600 F KATANA	600 1988 1993	R
B	GSX-R 600	600 2000	R
B	GSX-R 600 F	600 1994 1995	R
B	GSX-R 600 V	600 1996 2003	R
B	RF 600 RR	600 1993 1997	R
B	SV 650 - S (left)	650 1999 2002	R
B	GSX 750 EF	750 1987	R
B	GSX 750 FK/FL/FM/FN/FP/FR/FS/FT/FV	750 1989 1997	R
B	GSX 750 FW/FX/FY/FK1/FK2 (left)	750 1988 2006	R
B	GSX 750 LIMITED EDITION	750 1986	R
B	GSX 750 W/X/Y/K1 (left)	750 1998	R
B	GSX-R 750	750 1985 1987	R
B	GSX-R 750	750 1988 1993	R
B	GSX-R 750 LTD Special Edition	750 1987 1988	R
B	GSX-R 750 W	750 1994 1999	R
B	GSX-R 750 W (Racing Applications)	750 1994 1999	R
B	GSX-R 750 Y	750 2000 2003	R
B	GT 750 RF	750 1985 1986	R
B	RF 900 RT - RV	900 1996 1999	R
B	TL 1000 R	1000 1998 2002	R
B	TL 1000 SV TWIN	1000 1997 2001	R
B	GSX 1100 GM	1100 1991 1992	R
B	GSX-R 1100	1100 1985 1988	R
B	GSX-R 1100 K - L - M - N	1100 1989 1992	R
B	GSX-R 1100 W	1100 1993 1996	R
B	GSX-R 1100 W (Racing Applications)	1100 1991 1996	R
B	GSF 1200 K1/SK1 BANDIT	1200 2001	R
B	GSF 1200 T-ST-V-SV- BANDIT	1200 1995 2000	R
B	GSX 1200	1200 1999 2000	R
B	GSX-R 1300 HAYABUSA	1300 1999 2007	R
B	GSX-R 1300 HAYABUSA (Racing Applications)	1300 1999 2007	R

FDB339

HYOSUNG
KAWASAKI

B	GA 300	300 1998	F
B	EL 250 all models	250 1991 1994	F
B	EX 250 NINJA	250 1986 1987	F/R
B	GPZ 250	250 1985	R
B	LX 250 ELIMINATOR - SE	250 1990	F
B	Z 250	250 1983	F
B	Z 250 GP BELT DRIVE	250 1983	F
B	GPX 400	400 1985	R
B	GPZ 400	400 1985 1987	R
B	KLE 400 VULCAN	400 1990	F
B	VN 400 VULCAN	400 1995	F
B	Z 400 F2	400 1985 1987	R
B	ZL 400	400 1986 1987	F
B	ZL 400 ELIMINATOR	400 1988 1992	F/R
B	ZL 400 ELIMINATOR	400 1993	R
B	ZX 400 C2	400 1985	R
B	LTD450 (EN450 A1-A5)	454 1986 1989	F



FRONT

/ REAR

CC	FROM	TO	FRONT / REAR		
B	EN 500 all models	500 1990 1993	F		
B	GPZ 500 S	500 1987	F		
B	GPZ 500 S	500 1989 1992	R		
B	GPZ 600 R	600 1985 1989	F/R		
B	ZL 600 A1/A2	600 1985 1994	F		
B	750 BELT DRIVE	750 1985 1987	F/R		
B	750 TURBO	750 1985 1987	F/R		
B	750 VULCAN	750 1989 1993	F		
B	GPZ 750	750 1985 1986	F/R		
B	GPZ 750 R1	750 1985 1987	F/R		
B	VN 750	750 1988 1989	F/R		
B	VN 750 TWIN	750 1986 1987	F		
B	VN 750 VULCAN	750 1990 1994	F		
B	Z 750 GP	750 1983	F/R		
B	ZX 750 A1	750 1983 1985	F/R		
B	ZX 750 E1 TURBO	750 1983 1985	F/R		
B	VN 800	800 1995 1998	F		
B	VN 850	850 1995 1999	F		
B	GPZ 900	900 1985 1986	F/R		
B	GPZ 900 R NINJA	900 1984 1989	F/R		
B	GPZ 1000 RX - RY	1000 1986	F/R		
B	GTR 1000	1000 1986 1993	F/R		
B	VN 1000 VULCAN	1000 1987	F/R		
B	Z 1000 GTR	1000 1994 2003	R		
B	Z 1000 GTR (ZG 1000)	1000 1986 1993	F/R		
B	ZL 1000 all models	1000 1987	F/R		
B	GPZ 1100 (ZX 1100 A1)	1100 1983 1985	F/R		
B	VN 1100	1100 1987	F/R		
B	Z 1100 R1	1100 1984	F/R		
B	ZX 1100 A1	1100 1983 1984	F/R		
B	KZ 1200	1200 1987	F/R		
B	ZG 1200	1200 1986 1990	F/R		
B	ZG 1200 VOYAGER	1200 1986	F/R		
B	VN 1500 all models	1500 1987 1993	F/R		
B	VN 1500 CLASSIC TOURER (left)	1500 1999	R		
B	VN 1500 D1/D2 CLASSIC	1500 1996 1998	R		
FDB342	DUCATI	B 850 GT - GTS	850 1977 1980	F	
	TRIUMPH	B BONNEVILLE T 400 V E	400 1982 1984	R	
		B BONNEVILLE T 400 V E	400 2000	F/R	
		B TRIDENT TI 500 V	500 1982 1984	R	
		B TRIDENT TI 500 V	500 2000	F/R	
		B BONNEVILLE 750 TWIN (Lockheed calipers)	750 1975 1981	F/R	
		B BONNEVILLE 750 TWIN (Lockheed calipers)	750 1982 1984	R	
		B TIGER 750 TR 7V	750 1976 1981	R	
		B TIGER 750 TR 7V	750 2000	F	
FDB352	HARLEY DAVIDSON	B XL 883 EVO	883 1986 1987	F	
		B XL 883 EVO	883 1987 1999	F	
		B XLX	883 1984 1985	F	
		B XLH 1000 Sportster®	1000 1984 1985	F	
		B XLS 1000 Roadster®	1000 1984 1985	F	
		B XR 1000	1000 1983 1985	F	
		B XL 1100 EVO	1100 1986	F	
		B XL 1200 EVO	1200 1999	F	
		B FLHR Road King® (all models)	1340 1994 1999	F	
		B FLHS Electra Glide® Sport	1340 1993	F	
		B FLHT Electra Glide® (all models)	1340 1984 1985	F	
		B FLHT Electra Glide® (all models)	1340 1986 1999	F	
		B FLST Heritage Softail®	1340	F	
		B FLST Heritage Softail®	1340	1990	F
		B FLSTC Heritage Softail® Classic	1340	1999	F
		B FLSTF Fat Boy®	1340 1990 1999	F	
		B FLSTN Heritage Softail®	1340 1993 1996	F	
		B FLSTS / FLSTSI Springer Softail®	1340 2000 2005	F	
		B FLSTS Heritage Springer® Softail®	1340 1997 1999	F	
		B FLT Tour Glide® (all models)	1340 1984 1985	F	
		B FLT Tour Glide® (all models)	1340 1986 1999	F	
		B FLTR Road Glide® (all models)	1340 1988 1999	F	
		B FXD Dyna Super Glide®	1340 1995 1999	F	
		B FXDB Dyna Street Bob	1340 1991 1992	F	
		B FXDC Dyna Super Glide® Custom	1340 1991 1992	F	
		B FXDG Dyna Glide Sturgis®	1340 1991	F	
		B FXDL Dyna Low Rider®	1340 1993 1999	F	
		B FXDS-Conv. / Dyna Convertible	1340 1994 1999	F	
		B FXDWG Dyna Wide Glide®	1340 1993 1999	F	
		B FXDX Dyna Super Glide® Sport	1340 1995 1999	F	
		B FXE Super Glide®	1340 1984 1985	F	
		B FXEF Super Glide®	1340 1984 1985	F	
		B FXLR Low Rider® Custom	1340 2000	F	

B = Bike
A = ATV
S = Snowmobile

Updated on 11th Oct 2013

B = Bike
A = ATV
S = Snowmobile

3009



CC FROM TO FRONT / REAR

CC	FROM	TO	FRONT / REAR
...FDB352	B FXLR Low Rider® Custom	1340	1994 F
B FXR Super Glide®	1340	1994 F	
B FXR Super Glide®	1340	1986 F	
B FXRD Sport Glide® Grand Touring	1340	1986 F	
B FXRS Low Glide	1340	1992 F	
B FXRS Low Glide	1340	1984 F	
B FXRT Sport Glide®	1340	1992 F	
B FXRT Sport Glide®	1340	1984 F	
B FXSB Low Rider®	1340	1984 1985 F	
B FXST Softail®	1340	1990 F	
B FXST Softail®	1340	1984 F	
B FXST Softail® Standard	1340	1999 F	
B FXSTB Night Train®	1340	1999 F	
B FXSTC Softail® Custom	1340	1999 F	
B FXSTC Softail® Custom	1340	1986 F	
B FXSTS / FXSTSI Springer Softail®	1340	2000 2005 F	
B FXSTS / FXSTSI Springer Softail®	1340	2006 F	
B FXSTS Springer Softail®	1340	1999 F	
B FXSTSB Bad Boy	1340	1995 1997 F	
B FXWG Wide Glide®	1340	1984 1986 F	
B FLSTSB Crossbones®	1450	2008 F	
B FLSTSC Springer® Classic	1450	2005 F	
B FLSTSC Springer® Classic	1450	2006 2007 F	
FDB381	ARCTIC CAT ATV	A 400 DVX	400 2004 2008 F
HONDA 3 WHEELERS	A ATC 200 X (Disc Brake)	200 1983	1987 F/R
A ATC 250 R	250 1983	1984 F/R	
A ATC 350 X	350 1985	2000 R	
A ATC 350 X	350 1986	2000 R	
HONDA ATV	A TRX 250 EX Fourtrax/Sportrax/X/XA	250 2001	2010 F
A TRX 250 X Fourtrax	250 1987	1992 F/R	
A TRX 300 EX Fourtrax	300 1993	2008 F/R	
A TRX 300 X	300 2009	F/R	
A TRX 400 EX Fourtrax/Sportrax	400 1999	2008 F/R	
A TRX 400 FW / FM Fourtrax Foreman	400 1995	2003 F	
A TRX 400 X	400 2009	F/R	
A TRX 420 FA/FPA P.S.Fourtrax Rancher	420 2009	2010 F	
A TRX 420 FPE/FPM Fourtrax Rancher 4x4	420 2009	2010 F	
A TRX 420 TM/TE/FE/FM Fourtrax Rancher	420 2007	2010 F	
KAWASAKI	B KX 80 R3	80 1993	1996 R
B KX 80 R7-T7-W1/2-Y1/2	80 1997	2000 R	
B KX 80 S1 - V1	80 1988	1991 R	
B KX 85 / 85-2 A1 / B1	85 2001	R	
B KX 100	100 1988	1991 R	
B KX 100 B7 / C1 / C2 / C3	100 1997	2000 R	
KAWASAKI 3 WHEELERS	A KXT 250 B2 TECATE	250 1987	2000 R
KAWASAKI ATV	A KSF 250 MOJAVE A Series	250 1987	2005 R
A KXF 250 Tecate	250 1987	1988 R	
A KEF 300 LAKOTA A Series, LAKOTA SPORT B Series	300 1995	2003 R	
A KSF 400 / KFX 400	400 2004	2006 F	
A KVF 400 PRAIRIE (2x4/4x4)	400 1997	2002 F	
A KFX 450 R	450 2008	R	
A KSF 450 / KFX 450	450 2007	F	
KYMCO ATV	A MXU 400 Parking brake	400 2008	2009 F
SUZUKI	B RM 65	65 2003	R
SUZUKI ATV	A LT 230 EH/EJ/EK/EL/EM/EN/EP	230 1986	1993 R
A LT 230 S QUADSPORT	230 1989	R	
A LT 250 R	250 1985	1986 R	
A LT 250 S	250 1989	1990 R	
A LT-Z 250 K QuadSport	250 2004	2009 F	
A LT-Z 400 QUADSPORT	400 2003	2009 F	
YAMAHA ATV	A YFS 200 BLASTER	200 2003	2006 R
A YFM 250 BEAR TRACKER	250 2001	2004 F	
A YFM 250 R Raptor (right)	250 2008	R	
A YFM 250 RSPX Special Edition Custom (Left)	250 2008	R	
A YFM 350 2x4 Grizzly	350 2007	2010 R	
A YFM 350 FX WOLVERINE	350 1995	2007 R	
A YFM 350 RAPTOR	350 2004	2010 F/R	
A YFM 350 XW-XS WARRIOR	350 1989	2004 R	
A YFZ 350 A/B/D/E/F BANSHEE	350 1990	2006 R	
A YFZ 350 T/U/W BANSHEE	350 1987	1989 R	
A YFZ 450 (left)	450 2004	2005 R	
A YFM 600 GRIZZLY (All)	600 1998	2001 F	
A YFM 660 Ducks Unlimited Ed.-side by side	660 2006	2007 F	
A YFM 660 GRIZZLY	660 2002	2008 F	
A YFM 660 RAPTOR	660 2001	2005 F/R	
FDB382	HONDA	B CR 50 R	50 1986 F
B CR 80 RG	80 1986	F	
B LEAD 100	100	F	



CC FROM TO FRONT / REAR

CC	FROM	TO	FRONT / REAR
B @ 125 NES	125 2001	F	
B CR 125 RE	125 1984	1985 F	
B CR 125 RG	125 1986	F	
B MTX 125 R2F	125 1985	1995 F	
B MTX 125 RF	125 1985	1995 F	
B MTX 125 RWF	125 1985	1995 F	
B XL 125 R	125 1985	1986 F	
B XL 125 R PARIS DAKAR	125 1984	F	
B MTX 200 RW	200 1985	1986 F	
B CH 250 ELITE	250 1985	1986 F	
B CH 250 SPACY	250 1985	1986 F	
B CN 250	250 1988	1989 F	
B CN 250 ELITE	250 1985	1986 F	
B CN 250 HELIX-FUSION	250 1992	F	
B CR 250	250 1986	F	
B CR 250 RE	250 1984	1985 F	
B FTR 250	250 1986	F/R	
B RX 250 RE	250 1984	F	
B XLR 250 R	250 1985	1988 F	
B XR 250 RE - RH	250 1984	1987 F	
B XL 350 R	350 1985	1986 F	
B XLX 350	350 1989	F	
B XR 350 RE - RD	350 1984	F	
B CR 500	500 1986	F	
B CR 500 RE - G - H - J	500 1984	1985 F	
B XR 500 R	500 1983	1984 F	
B XR 500 R	500 1984	F	
B XL 600 LD - PARIS DAKAR	600 1983	1984 F	
B XL 600 R - RD - RE	600 1983	1984 F	
B XR 600 R	600 1985	1987 F	
HONDA 3 WHEELERS	A ATC 250 R	250 1985	1986 F/R
A ATC 350 X	350 1985	2000 F	
HONDA ATV	A TRX 250 R Fourtrax	250 1986	1989 R
FDB383	ADLY	B Fox 50 / SILVER FOX 50	50 2000 F
BETA	B EURO / JONATHAN 350	350 2003	2006 R
GILERA	B APACHE 125	125 1991	R
B RC 125 TOP RALLY	125 1989	R	
B RC 600	600 1989	1990 R	
B RC 600	600 1991	R	
B RC 600 NORD WEST	600 1991	R	
B RC 600 R	600 1991	R	
B RC 600 TOP RALLY	600 1990	R	
ITALJET	B MILLENNIUM 100	100 2000	2001 F
B MILLENNIUM 125	125 2000	2001 F	
B MILLENNIUM 150	150 2000	2001 F	
LINHAI	B LH 50 Prince (Scooter)	50 2007	F
B Eggy 125 (Scooter)	125 2007	F	
MALAGUTI	B CENTRO 160 ie	160 2008	R
MBK	B XC 125 FLAME	125 1998	F
B XC 125 FLAME R	125 1998	F	
SACHS	B ROADSTER 650	650 2001	R
YAMAHA	B 50 FLY ONE	50 1992	1995 F
B DT 50 R	50 1993	1997 F	
B TDR 50	50 1990	F/R	
B TZM 50 R	50 1994	R	
B TZR 50	50 1990	1996 R	
B DT 80 LC2	80 1993	F	
B TZR 80	80 1992	R	
B DT 125 LC / R	125 1988	R	
B DT 125 R	125 2000	2003 F/R	
B DT 125 RE	125 1991	1993 F/R	
B DT 125 RE	125 2004	F	
B TD 125 R	125 1993	F/R	
B TDR 125	125 1993	1993 R	
B TZR 125	125 1993	R	
B XC 125 CYGNUS	125 1996	1997 F	
B YBR 125	125 2005	2007 F	
B YZ 125	125 1988	R	
B 150 FLY ONE	150 1992	F	
B TW 200	200 2001	2003 F	
B SEROW 225 XT	225 1985	1992 F	
B SEROW 225 XT	225 1993	1995 F	
B TT-R 225	225 1999	2002 F	
B YZ 250	250 1988	R	
B TT 350	350 1991	1995 R	
B XT 350	350 1992	1995 F	
B 400 ARTESIA	400 1991	R	
B WR 500 B	500 1991	1992 R	



CC FROM TO FRONT / REAR

Code	Brand	Model	CC	FROM	TO	FRONT / REAR		
...FDB383	YAMAHA 3 WHEELERS YAMAHA ATV	B XT 600 E - K	600	1991	1994	R		
		B XT 600 E - K	600	1995	2003	R		
		B XT 600 Z TENERE	600	1991		R		
		B XTZ 660 TENERE	660	1991	1998	R		
		A YTZ 250 N/S	250	1985	1986	F/R		
FDB384	APRILIA	B RS4 50 (Rear AJP caliper)	50	2011		R		
	DERBI	B RS4 125 4T (Rear AJP caliper)	125	2011		R		
		B GPR 50	50	2010		R		
		B SENDA DRD Evo 50	50	2008		R		
		B GPR 125	125	2010		R		
		B MULHACEN CAFE' 125	125	2008		R		
	RIEJU	B SENDA DRD 125	125	2010		R		
		B TERRA 125	125	2007	2008	R		
		B TERRA 125 ADVENTURE	125	2010	2013	R		
		B MRT 50	50	2008		F/R		
		B MRT 50 PRO / SUPERMOTARD / Competizione	50	2008		R		
		B MRT 50 SUPERMOTARD	50	2010		F/R		
		B RS2 50 MATRIX / PRO 50 (JJUAN)	50	2007	2008	R		
		B TANGO 50 Motard	50	2009		F		
		B MARATHON 125 / MOTARD	125	2008		F/R		
B MARATHON 125 PRO / SUPERMOTARD		125	2008		R			
SHERCO	B RS2 125 / PRO 125 (JJUAN)	125	2007	2008	R			
	B SU 50 (2T) Urban Base - Cast wheel model)	50	2010		F			
	SUZUKI	B GN 125	125	1983	1993	F		
		B GS 125 E - KATANA	125	1990	1994	F		
FDB386	YAMAHA	B GS 125 ESD	125	1983	1994	F		
		B FZR 50	50	1990	1991	R		
		B TZR 80	80	2000		F		
		B 125 BIKAN	125	1991		F		
		B RD 125 LC R	125	1985	1987	F		
		B TZR 125	125	1987	1989	F		
		B TZR 125	125	1990	1992	R		
		B SDR 200	200	1987	1989	F/R		
		B FZR 250	250	1986	1988	R		
		B FZR 250 R	250	1989		R		
		B FZ 250 ZEAL	250	1991		R		
		B R1 250 Z	250	1997		R		
		B RZR 250	250	1990		F/R		
		B TDR 250	250	1988	1992	R		
		B TZ 250	250	1985		R		
		B TZR 250	250	1985	1989	R		
		B TZR 250 R - SP	250	1989	1992	R		
		B RD 350 all models	350	1985	1995	F/R		
		B RD 350 all models	350	1985	1995	F/R		
		B FZ 400	400	1986		R		
		B FZR 400 RR - SP	400	1991	1992	R		
		B SRX 400	400	1985	1986	R		
		B SRX 400	400	1987	1989	R		
		B XJ 400 DIVERSION - R	400	1991	1994	R		
		B RD 500 LC	500	1984	1986	R		
		B RD 500 YPVS LC	500	1984	1987	R		
		B 600 DIVERSION	600	1992	1997	R		
		B FZ 600	600	1987	1988	R		
		B FZS 600 FAZER	600	1999	2003	R		
		B SRX 600	600	1985	1986	F/R		
		B SRX 600	600	1987	1989	R		
		B SRX 600 (Espana)	600	1985		F/R		
		B XJ 600 S	600	1992	1997	R		
		B XJ 600 S	600	1998	2003	R		
		FDB389	SUZUKI	B GSX-R 250	250	1987	1988	F
				B GSX 400 X IMPULSE 400	400	1986	1988	F
				B GSX-R 400 (III-IV)	400	2000		F
				B RG 400 GAMMA	400	1985		F
				B RG 500 RF GAMMA	500	1985	1987	F
				B VS 600 GL INTRUDER	600	1997	1999	F
				B VS 700 GL INTRUDER	700	1985		F
				B GSX 750 EF	750	1987		F
				B GSX 750 LIMITED EDITION	750	1986		F
				B GSX-R 750	750	1985	1987	F
				B GSX-R 750 LTD Special Edition	750	1987	1988	F
B GT 750 RF	750			1985	1986	F		
B VS 750 INTRUDER (All Models)	750			1985	1991	F		
B VS 800 GL-N-INTRUDER	800			1992	1999	F		
B VS 800 GL-N-INTRUDER	800			1992	1999	F		
B GSX 1100 E - EF - ES	1100			1984	1986	F/R		
B GSX-R 1100	1100			1985	1988	F		
B GV 1400	1400			1985	1986	F		



CC FROM TO FRONT / REAR

Code	Brand	Model	CC	FROM	TO	FRONT / REAR	
FDB390	SUZUKI	B GV 1400 GD	1400	1985	1986	F/R	
		B VS 1400 INTRUDER GLP	1400	1987	1995	F/R	
		B VL 1500	1500	1998	2001	F/R	
FDB404	MAICO	B 250 CROSS	250	1986		F/R	
		B 250 ENDURO	250	1986		F/R	
		B GP 250	250	1987		F/R	
		B GP 400	400	1987		F/R	
		B 500 CROSS	500	1986		F/R	
		B 500 ENDURO	500	1986		F/R	
		B GP 500	500	1987		F/R	
		B GPE 500	500	1987		F/R	
		SUZUKI	B GZ 125 MARAUDER	125	2000		F
			B RM 125 F - G	125	1985	1986	F
			B VL 125 INTRUDER	125	2000		F
			B AN 150	150	1997	2000	F
B GZ 250 MARAUDER	250		2000		F		
B RM 250 F - IG - G	250		1985	1986	F		
B TU 250 X	250		1997	2000	F		
B VL 250 INTRUDER	250		2000	2001	F		
B VOLT 250	250		1995	2000	F		
B RM 500 F	500		1985	1986	F		
FDB411	YAMAHA	B LS 650 SAVAGE	650	1987	1999	F	
		B YZ 125	125	1985	1987	F	
		B YZ 125	125	1988		F	
		B TT 250 S	250	1987	1992	F	
		B YZ 250	250	1985	1987	F	
		B YZ 250	250	1988		F	
		B TT 350	350	1986	1990	F	
		B TT 350	350	1991	1995	F	
		B YZ 490	490	1985	1987	F	
		B TT 600 N	600	1985	2000	F	
FDB436	BENELLI	B DEVIL 50	50	1992		R	
		B MASTER 4 50	50	1995		F	
		B SPRING 50	50	1992		R	
		B DEVIL 80	80	1995		R	
		BETA	B ALP 50	50	1991		F
			B FOUR 50 AE	50	1987		F
			B FOUR 50 S	50	1987		F
			B FOUR TWIN 50	50	1988		F
			B TR 32 125	125	1986		F
			B TR 33 125	125	1987		F
			B TR 34 125	125	1988		F
			B ALP 240	240	1991	1995	F
	B TR 33 240		240	1986	1988	F	
	B TR 33 TREKKING 240		240	1988		F	
	B TR 34 250	250	1986	1988	F		
	B TR 34 250 (SPAIN)	250	1989		F/R		
	B TR 34 250 PROFESSIONAL	250	1989		F		
	CIMATTI FANTIC	B ALP 260	260	1990		F	
		B TR 34 260	260	1987	1988	F	
		B TR 35 260	260	1989	1991	F	
		B Gringo 50	50	1985		F	
		B TRIAL 50 .1 (FM.268)	50	1986		F	
		B TRIAL 50 .1 H2O	50	1987		F	
		B TRIAL 125 .1 Progress 1	125	1986	1986	F	
		B TRIAL 125 .1 Progress 2	125	1986		F	
		B TRIAL 125 .3 PROFESSIONAL (FM 361)	125	1987		F/R	
		B TRIAL 200 Progress 1	200	1986		F	
		B TRIAL 201 Progress2	201	1986		F	
B TRIAL 240 (FM 363)		240	1987		F/R		
B TRIAL 241 PROFESSIONAL		241	1986		F		
B TRIAL 301 Progress 1 (FM. 266)		301	1985		F		
B TRIAL 301 Progress 2		301	1986		F		
B TRIAL 303 (FM 364)		303	1987		F/R		
GARELLI GASGAS GILERA MALAGUTI	B TIGER 50 XLE	50	1986		R		
	B HALLEY 325 PCX	325	1987		F/R		
	B 503 50	50	1991		F/R		
	B BULLIT 50	50	1990		F		
	B CR1 50 CROSSER	50	1995		F		
	B DUNE 50 ENDURO	50	1987		F/R		
	B F 12 50 PHANTOM (liquid cooled)	50	1995	1997	F		
	B F 15 50 FIREFOX	50	1996	1997	F		
B FIFTY 50 FULL (all models)	50	1983		F			
B FIFTY 50 TOP	50	1985		F			

B = Bike
A = ATV
S = Snowmobile

B = Bike
A = ATV
S = Snowmobile



CC FROM TO FRONT / REAR

Code	Brand	Model	CC	FROM	TO	FRONT / REAR
...FDB436	MONTESA	B Mopeds 50 (all models)	50	2000		F
		B MR4 50 ENDURO	50	1987		F/R
		B RCX-W 50 ENDURO	50	1983		F
		B RGT 50 SPORT	50	1985		F
		B RGT 50 STRADA	50	1983		F
		B RST 50 SPORT tutti i tipi	50	1987		F/R
		B SAHIB 50 ENDURO	50	1983		F
		B MKS 50	50	1987		F
		B COTA 304	304	1987		F
		B N 50 AT BT	50	1991	2000	F
FDB437	SUZUKI	B RG 80 GAMMA	80	1988	1993	F
		B RG 125 W GAMMA	125	1985	1991	F
FDB438	APRILIA	B TUAREG 50 HPC SYSTEM	50	1987		F
		B ETX 125	125	1986	1997	F
		B RED ROSE 125	125	1989	1989	F
		B RX 125	125	1986		F
		B SCARABEO 125	125	1998	2006	F
		B SPORTCITY 125 ie	125	2004		F
		B TREND GO WEST 125	125	1987		F
		B TUAREG 125	125	1986		F
		B TUAREG 125	125	1987		F
		B TUAREG 125 RALLY	125	1986		F
FDB438	APRILIA	B TUAREG 125 RALLY (Mozzi Rimoldi)	125	1986		F
		B SCARABEO 150	150	1998		F
		B SCARABEO 200	200	2001	2007	F
		B SPORTCITY 200	200	2004		F
		B LEONARDO 250	250	1999		F
		B SPORTCITY 250 ie	250	2007		F
		B TUAREG 250 RALLY	250	1986		F
		B TUAREG 250 RALLY (Mozzi Rimoldi)	250	1986		F
		B LEONARDO 300	300	2004		F
		B SPORTCITY 300 / Cube Black line	300	2008		F
FDB438	APRILIA	B ETX 350	350	1986		F
		B ETX 350 AE	350	1987		F
		B TUAREG 350	350	1987		F
		B TUAREG 350 WIND	350	1987	1988	F
		B SCARABEO 400 ie	400	2007		F
		B ATLANTIC (ARECIFE) 500 (left)	500	2001		F
		B SCARABEO 500	500	2008		F
		B SCARABEO 500 Class	500	2010		F
		B ETX 600	600	1986		F
		B BLUES 50	50	1989		F
FDB438	APRILIA	B MITO 50	50	1998		F
		B BLUES 125	125	1988	1992	F
		B BLUES 125	125	1993		F
		B ROADSTER 125	125	1994		F
		B ROADSTER 200	200	1996		F
		B ALA AZZURRA 650 GT	650	1987		F
		B RAIDER 250 (FM. 259)	250	1985		F
		B TIGER 125 XLE	125	1986	1986	F
		B EC ROOKIE 50	50	2001		F
		B CROSS 125	125	1994		R
FDB438	APRILIA	B TT 125 ENDURCROSS	125	1993		R
		B ARIZONA HAWK 125	125	1986		F
		B CMM APTS 125	125	1987		F
		B ER 125	125	1987		F
		B FAST BIKE 125	125	1987		F
		B KK 125 APTS	125	1987		F
		B KZ 125	125	1986		F
		B KZ 125 ENDURANCE	125	1988		F
		B R1 125 S	125	1988		F
		B RC 125 RALLY	125	1987		F
FDB438	APRILIA	B RRT 125 NEBRASKA	125	1987		F
		B RRT 125 NEBRASKA (tubeless tires)	125	1987	2000	F
		B RRT 125 NEBRASKA (tubeless tires)	125	1987	2000	F
		B RTX 125	125			F
		B RV 125 ES	125	1987		F
		B XR1 125	125	1988		F
		B XR2 125	125	1989		F
		B ARIZONA HAWK 200	200	1986		F
		B ER 200	200	1987		F
		B FAST BIKE 200	200	1987		F
FDB438	APRILIA	B RTX 200	200	1986		F
		B RV 200 ES	200	1987		F
		B RC 250 RALLY	250	1987		F



CC FROM TO FRONT / REAR

Code	Brand	Model	CC	FROM	TO	FRONT / REAR		
FDB438	HONDA	B DAKOTA 350	350	1986		F		
		B ER 350	350	1987		F		
		B XRT 350	350	1990		F		
		B DAKOTA 500	500	1987		F		
		B ER 500	500	1987		F		
		B XRT 600	600	1988		F		
		B CLR 125 CITY FLY	125	2000		F		
		B CRM 125 (Italy)	125	1990	1999	F		
		B MTX 125 R	125	1987	1988	F		
		B MTX 125 RII	125	1989		F		
FDB438	HONDA	B NS 125 F all models	125	1985	1990	F		
		B NSR 125	125	1988	1989	F		
		B NSR 125 R - F	125	1989	1992	F		
		B NSR 125 RAIDEN	125	1990	1992	F		
		B NX 125 (ITALY)	125	1990		F		
		B XL 125 L PARIS DAKAR	125	1989		F		
		B XL 125 PARIS DAKAR	125	1989		F		
		B XL 125 R	125	1987	1988	F		
		B MTX 200 R	200	1987		F		
		B XL 200 R	200	1985		F		
FDB438	HONDA ITALIA	B DT 125	125	1987		F		
		B MTX 125 R	125	1986		F		
		B MTX 125 RALLY SPORT	125	1988		F		
		B NS 125 F	125	1985		F		
		B NS 125 R SUPER SPORT	125	1987		F		
		B NSR 125 R	125	1989		F		
		B XL 125 L PARIS DAKAR	125	1985		F		
		B XL 125 R2	125	1987		F		
		B XL 200 L	200	1985		F		
		B XL 200 L PARIS DAKAR	200	1987		F		
FDB438	MALAGUTI	B XL 200 R2	200	1987		F		
		B SPIDER MAX RS 500/ GT	500	2004		F		
		FDB438	MOTO MORINI	B CAMEL 501	50	1987		F
				B EXCALIBUR 501	50	1986	1986	F
				B EXCALIBUR 501	50	1987	1988	F
				B BLUES 125	125	1993		F
				B EXCALIBUR 350	350	1986	1989	F
				B KANGURO 350	350	1987		F
				B RX 50 RACING	50	2000		F
				B PUCH 125	125	1987		F
B YAMAHA DT 125 (Italia)	125			1986	1987	F		
B YAMAHA DT 125 TENERE (Italia)	125			1987		F		
FDB449	YAMAHA	B FZR 250	250	1986	1988	F		
		B R1 250 Z	250	1997		F		
		B TDR 250	250	1988	1992	F		
		B TZ 250	250	1985		F		
		B TZ 250 COMPETITION	250	1988		F		
		B TZR 250	250	1985	1989	F		
		B FZR 400 R	400	1987	1990	F		
		B SRX 400	400	1987	1989	F		
		B SRX 600	600	1987	1989	F		
		B TDM 850	850	1991	1995	F		
FDB449	YAMAHA	B TRX 850	850	1995	1999	F		
		B FZR 1000 GENESIS - EX-UP	1000	1986	1988	F		
		B FJ 1200 W - WC	1200	1989	1991	F		
		B XVZ 1300 AHATH ROYAL STAR	1300	1996	2001	R		
		B XVZ 1300 TF VENTURE STAR	1300	1999	2001	R		
		B XV 1600 A WILD STAR	1600	1999		R		
		FDB452	HONDA	B RS 125 R	125	1988		F
				B CB 250	250	1988	1991	F
				B VTZ 250	250	1988		F
				B TRANSALP 400	400	1992		F
B NX 650 DOMINATOR	650			1993	1994	F		
B VFR 700 F/F2 INTERCEPTOR	700			1986	1987	F		
B CBR 1000 F	1000			1987	1988	F		
B CBR 1000 R HURRICANE	1000			1987	1988	F		
FDB462	HONDA			B CBR 250 F	250	2004		F
				B CBR 250 R HURRICANE	250	1986	1988	F
		B NSR 250	250	1986		F		
		B NSR 250 R	250	1986	1987	F		
		B VT 250 F INTEGRA	250	1987		F		
		B CB 350 SG	350	1986		F		
		B CBR 400 R HURRICANE	400	1986		F		
		B VFR 400 R	400	1986	1987	F		
		B VFR 400 R	400	1987	1989	F		
		B CBX 450 S	450	1987		F		
FDB462	HONDA	B CBR 500	500	1987	1990	F		
		B CBR 600 F/R HURRICANE	600	1987	1990	F		



CC FROM TO FRONT / REAR

...FDB497

CC	FROM	TO	FRONT / REAR
B	KX 500	500 1989 1994	F
B	KLR 650	650 2008 0000	F
A	KLF 300 BAYOU 4x4 C Series (left)	300 1989 2004	F
A	KLF 400 BAYOU 4x4 B Series (left)	400 1993 1999	F
A	KVF 650 Brute Force 4X4i All models (Left)	650 2007 2008	F
A	KRF 750 Teryx 4x4 All mod.(Left)-side by side	750 2008	F
A	KVF 750 BRUTE FORCE All Models (left)	750 2005 2010	F
B	AGILITY 50	50 2004 2008	F
B	AGILITY 50 - R10 / R12	50 2006 2008	F
B	AGILITY RS Naked 50 2T	50 2010	F
B	FILLY LX 50	50 2000	F
B	VITALITY 50 (2T & 4T)	50 2004 2006	F
B	YUP 50	50 2001 2006	F
B	COBRA 100 RACER	100 1999 2003	F
B	AGILITY 125	125 2006 2008	F
B	AGILITY 125 FAT / RS 125 (4T)	125 2007	F
B	MOVIE 125	125 1998 2000	F
B	STRYKER 125	125 2001 2006	F
B	VIVIO 125	125 2000 2003	F
B	STRYKER 150 (Off-Road)	150 2000 2006	F
B	LIKE 200 i	200 2010	F
B	BLOG 125	125 2008	F
B	CENTRO 125 ie	125 2007	F
B	BLOG 160	160 2008	F
B	CENTRO 160 ie	160 2008	F
B	SATELIS 250 (Nissin caliper)	250 2006	F/R
B	RM 125 H	125 1987	F
B	RM 125 J	125 1988	F
B	RM 125 K - L - M	125 1989 1995	F
B	TS 125	125 1990 1996	F
B	TS 200 R	200 1990 1994	F
B	AN 250 BURGMAN K1/K2	250 2001 2002	F
B	DJEBEL 250	250 1993	F
B	DR 250 S	250 1990 2000	F
B	RM 250	250 1991 1992	F
B	RM 250 H	250 1987 1988	F
B	RM 250 K - L - M	250 1989 1994	F
B	RM 250 R-S	250 1993 1995	F
B	RMX 250 RP	250 1989 1995	F
B	DR 350	350 1990	F
B	DR 350 S-SH-SE	350 1993 1997	F
B	AN 400 BURGMAN (left)	400 2008	F
B	RM 500	500 1987	F
A	LT-F 300 KING QUAD (left)	300 2002	F
A	LT-R 450 K/Z (left)	450 2006	F
A	LT-A 500 F QUADMASTER (left)	500 2000 2001	F
A	LT-F 500 FW/FX/F1 QUADRUNNER (left)	500 1998 2002	F
A	LT-A 700 KING QUAD (left)	700 2008	F
B	BONNEVILLE 800 / T100	100 2001	R
B	SPEED FOUR 600	600 2002	R
B	TRIDENT 750 (left)	750 1992 1998	R
B	AMERICA 865	865 2007	R
B	America 865	865 2010	R
B	BONNEVILLE 865 / California Street Racer / SE	865 2008	R
B	BONNEVILLE T100 865 / 50th Anniversary	865 2008	R
B	SCRAMBLER 865	865 2006	R
B	SPEEDMASTER 865	865 2004	R
B	T 100 BLACK	865 2012	R
B	DAYTONA SPRINT 900 (left)	900 1993	F
B	SCRAMBLER 900	900 2010	R
B	THRUXTON 900	900 2004 2007	R
B	THRUXTON 900	900 2008	R
B	THRUXTON 900 (Front Brembo caliper)	900 2008	R
B	TIGER 900 (left)	900 1993 1998	F
B	TRIDENT 900 SPRINTER (left)	900 1993 1998	F
B	TROPHY 900 (left)	900 1993 1995	F
B	DAYTONA 955i	955 1997 2000	R
B	SPEED TRIPLE 955	955 2002	R
B	SPRINT RS 955 (from VIN 139277 to 161317) single sided swing arm	955 2003 2004	R
B	SPRINT RS 955 (from VIN 161318) double sided swing arm	955 2003 2004	R
B	SPRINT ST 955	955 1999 2004	R
B	SPEEDMASTER	1000 2012	R
B	SPEED TRIPLE 1050	1050 2004 2007	R
B	SPEED TRIPLE 1050	1050 2008	R
B	SPEED TRIPLE 1050 Custom	1050 2010	R
B	SPEED TRIPLE R 1050	1050 2012	R
B	SPEED TRIPLE R 1050	1050 2012	R
B	SPRINT GT 1050	1050 2011	R



CC FROM TO FRONT / REAR

CC	FROM	TO	FRONT / REAR	
B	SPRINT ST 1050 / ABS	1050 2004	R	
B	TROPHY 1200 (left)	1200 1993 1995	F	
B	FZR 50	50 1992	F	
B	WR 125	125 1990	F	
B	WR 125	125 1991 1992	F	
B	YZ 125	125 1989	F	
B	YZ 125 all models	125 1990 1997	F	
B	DT 200 WR	200 1991	F	
B	WR 200 B	200 1991 1994	F	
B	TT 250 R	250 1993 1999	F	
B	TT-R 250	250 2000	F	
B	WR 250 ZD/ZE/ZF	250 1991 1994	F	
B	YZ 250	250 1989	F	
B	YZ 250	250 1995 1997	F	
B	YZ 250 A - B	250 1990 1992	F	
B	YZ 250 WRA/WRB	250 1990 1994	F	
B	YZ 360	360 1989	F	
B	WR 500 B	500 1991 1992	F	
B	WR 500 ZD - ZE	500 1992 1993	F	
B	XTZ 750 SUPER TENERE (left)	750 1989	F	
A	YFZ 450 (left)	450 2004 2005	F	
A	YFZ 450 (left) - All models	450 2006	F	
A	YXR 450 RHINO (left) - side by side	450 2004 2009	F	
A	YXR 660 RHINO (left) - side by side	660 2004 2007	F	
A	YFM 700 RAPTOR (left) - All Models	700 2006	F	
A	YXR 700 RHINO (right) - side by side	700 2008	F/R	
FDB498	ALFER	B MC 125	125 1988	F
		B GR 250 ENDURO	250 1988	F
		B MC 250	250 1988	F
		B GR 300 ENDURO	300 1989	R
	APRILIA	B AF1 125 EUROPA	125 1990 1991	F
		B AF1 125 FUTURA	125 1990 1991	F
		B AF1 125 REPLICA	125 1989 1991	F
		B AF1 125 SINTESI	125 1989 1991	F
		B RS 125 / TUONO 125	125 2004	F
		B RS 125 EXTREMA - REPLICA	125 1993 1997	F
		B RS 125 EXTREMA - REPLICA	125 2000 2003	F
		B SPORT PRO 125	125 1993 2003	F
		B AF1 250 REPLICA	250 1990	F
	ATK (USA)	B all models 1988	1988	F
		B all models 1989-93	1989 1993	F
	BENELLI	B DEVIL 50	50 1992	F
		B SPRING 50	50 1992	F
		B DEVIL 80	80 1995	F
		B 125 JARNO	125 1989	F
	GILERA	B CRONO 125	125 1991	F
		B CX 125	125 1991	F
		B GFR 125	125 1993	F
		B MX 1 125	125 1988	F
		B MX R 125	125 1990	F
		B SP 01 125	125 1989	F
		B SP 02 125	125 1990	F
	KTM	B CHRONO 50 SCOOTER	50 1994	F
		B GS 125 XC ENDURO SPORT	125 1986 1987	F/R
		B MX 125 VC CROSS	125 1986 1987	F/R
		B GS 250 XC ENDURO SPORT	250 1986 1987	F/R
		B MX 250 VC CROSS	250 1986 1987	F/R
		B GS 300 XC ENDURO SPORT	300 1986 1987	F/R
		B MX 500 CROSS	500 1986 1987	F/R
		B GXE 550	550 1986 1987	F/R
		B MX 550 LC4	550 1987	F/R
		B ENDURO 600 all models	600 1986 1987	F/R
	MOTO GUZZI	B QUOTA 1000	1000 1993 1995	F
	MZ	B SKORPION CUP / SPORT / TOUR / TRAVELLER	660 1995	F
	SACHS	B XTC 125 SUPERSPORT	125 2000	F
		B ROADSTER 650	650 2001	F
		B ROADSTER 800	800 2001	F
FDB499	ALFER	B AR 250	250 1992	F
		B GR 300 ENDURO	300 1989	F
	APRILIA	B AF1 125	125 1987	F
		B TUAREG 350 WIND	350 1989	F
	CAGIVA	B WMX 50	50 1989	F
		B N 90 ENDURO	90 1990	F
		B CRUISER 125	125 1987	F
		B FRECCIA 125	125 1987	F
		B FRECCIA 125 C9	125 1988	F
		B WMX 125 CROSS	125 1987	F
		B WMX 250 CROSS	250 1987	F



...FDB499

			CC	FROM	TO	FRONT / REAR
		B	750	1990		F
GILERA	B	APACHE 125	125	1991		F
	B	RC 125 TOP RALLY	125	1989		F
	B	RC 600	600	1989	1990	F
	B	RC 600 TOP RALLY	600	1990		F
HONDA ITALIA	B	CRE 50 (up to frame nr.1000)	50			F
HUSABERG	B	501 ENDURO	50	1992	1993	F
	B	MC 350	350	1991	1993	F
	B	MC 350	350	1994		F
	B	500 all models	500	1991	1992	F
	B	600 ENDURO	600	1992	1993	F
HUSQVARNA	B	CR 125 CROSS	125	1991		F
	B	WR 125	125	1987	1990	F
	B	WR 125	125	1991	1997	F
	B	WRE 125	125	1988		F
	B	WRE 125	125	1989	1994	F
	B	CR 240	240	1987		F
	B	WR 240	240	1987	1990	F
	B	WR 240	240	1991		F
	B	WRK 240	240	1988		F
	B	CR 250 CROSS	250	1991	1995	F
	B	WR 250	250	1987	1989	F
	B	WR 250	250	1990		F
	B	WR 250	250	1991	1997	F
	B	XC 250	250	1987		F
	B	WR 260	260	1991		F
	B	WRK 260	260	1988		F
	B	TE 350	350	1990	1995	F
	B	WR 400	400	1987		F
	B	AE 430	430	1988		F
	B	AUTO 430	430	1987		F
	B	CR 430	430	1987		F
	B	WR AE 430	430	1987		F
	B	XC 430	430	1987		F
	B	XC 500	500	1987		F
	B	TC 510	510	1988		F
	B	TE - AC - LC 510	510	1987		F
	B	TE 510	510	1990		F
	B	WRK 600	600	1989		F
KRAM IT	B	ER 125 RV 3	125	1988		F
	B	ER 250 RV 3	250			F
	B	ER 300 RV 3	300	1988		F
LAVERDA	B	CR 600 CRUISER	600	1987		F
MOTO MORINI	B	EXCALIBUR 501	50	1989		F
	B	NEW YORK 501	50	1989		F
	B	COGAURO 350	350	1990		F
	B	DART 350	350	1988	1989	F
	B	EXCALIBUR RLX 350	350	1990		F
	B	NEW YORK 350	350	1989		F
TM	B	all models 80	80	1990	1993	F
	B	GS 80	80	1986	1989	F
	B	MC 80	80	1986	1989	F
	B	GS / MC 125	125	1990	1993	F
	B	GS 125	125	1986	1989	F
	B	MC 125	125	1986	1989	F
YAMAHA	B	DT 80 LC (Espana)	80	1989		F
	B	DT 125 CHESTERFIELD SCOUT	125	1989		F
	B	TDR 125	125	1992		F
	B	TDR 125 (Italia)	125	1990	1991	F
FDB508	KAWASAKI	B	250	1987	1995	R
		B	250	1988		R
		B	250	1989		F/R
		B	250	1990	1992	R
		B	250	1989		F
		B	400	1987		F
		B	400	1988		F/R
		B	400	1990		F
		B	400	1992		F
		B	400	1989	1992	R
		B	400	1988		F/R
		B	550	1991		R
		B	550	1990	1992	R
		B	750	1991	1993	R
		B	1250	1989		F/R
		B	250	1994	1996	R
		B	250	1990	1992	R
		B	500	1990		R
SUZUKI	B	GSX 1100 G	1100	1993	1996	R



FDB529

			CC	FROM	TO	FRONT / REAR
APRILIA	B	TUAREG 125 WIND	125	1990		F
	B	TUAREG 350 WIND	350	1990		F
	B	TUAREG 600 WIND	600	1990		F
	B	TUAREG 600 WIND PARIS-DAKAR	600	1989		F
	B	TUAREG 600 WIND.	600	1989		F
CAGIVA	B	SUPERCITY 50	50	1993		F
	B	SUPERCITY 80	80	1994		F
	B	FRECCIA 125 C10	125	1988		F
	B	FRECCIA 125 C10 ANNIVERSARIO	125	1989		F
	B	FRECCIA 125 C10 R	125	1988		F
	B	FRECCIA 125 C12 R	125	1989	1990	F
	B	FRECCIA 125 C12 R	125	1991		F
	B	K7 125 ENDURO	125	1991		F
	B	MITO 125	125	1991	1992	F
	B	N 125	125	1991		F
	B	SUPERCITY 125	125	1994		F
	B	TAMANACO 125	125	1989		F
	B	W8 125 PRO ACTION	125	1992	1995	F
	B	W8 125 PRO ACTION	125	1996		F
	B	W 12 350	350	1992		F
	B	W 16 650	650	1993		F
	B	ELEFANT 750	750	1988	1989	R
GILERA	B	RC 600	600	1991		F
	B	RC 600 NORD WEST	600	1991		F
	B	RC 600 R	600	1991		F
MOTO MORINI	B	COGUARO 501	50	1989		F
	B	DART 350	350	1990		F
	B	DART 400	400	1990		F
SUZUKI	B	WOLF 250	250	1990		F
FDB531	BUELL	B		1998	2002	R
		B	500	2000	2001	R
		B	984	2002		R
		B	984	2003		R
		B	1200	2006		R
		B	1200	2010		R
		B	1200	2004		R
		B	1200	2004	2008	R
		B	1200	2009		R
		B	1200	2006	2008	R
		B	1200	2009		R
		B	1200	2009		R
HONDA	B	FES 125 PANTHEON	125	2007		R
	B	150 PANTHEON	150	2003		R
	B	CB 250 FT HORNET	250	1996	2001	R
	B	CBR 250 R - RR	250	1990	1994	R
	B	CBR 250 R HURRICANE	250	1986	1988	R
	B	FE 250 FORESIGHT	250	1999		R
	B	JADE 250	250	1991		R
	B	NSR 250 R - SP	250	1988	1993	R
	B	RS 250 R	250	1991		R
	B	VT 250 SPADA	250	1988		R
	B	VTR 250	250	1998		R
	B	CB 400 FK (CB-1)	400	1990		R
	B	CB 400 SUPER FOUR	400	1992		R
	B	CB 400 SUPER FOUR S	400	1997	1998	R
	B	CB-1 400 F	400	1989		R
	B	CBR 400 R R	400	1988	1993	R
	B	NTV 400 BROS	400	1988		R
	B	TRANSALP 400	400	1992		R
	B	VFR 400 R	400	1987	1989	R
	B	CB 500 R	500	2013		R
	B	CB 500 X	500	2013		R
	B	CBR 500 R	500	2013		R
	B	NX 500 DOMINATOR	500	1988	1996	R
	B	NTV 600 BROSS	600	1988	1992	R
	B	NTV 600 REVERE - HAWK	600	1990	1992	R
	B	XL 600 V TRANSALP	600	1991	1993	R
	B	XL 600 V TRANSALP	600	1994	1996	R
	B	XL 600 V TRANSALP	600	1997	1999	R
	B	FMX 650	650	2007		R
	B	NT 650 HAWK GT	650	1988	1990	R
	B	NT 650 V DEAUVILLE	650	1998	2001	R
	B	NTV 650	650	1994	1997	R
	B	NTV 650 BROS - I	650	1990	1993	R
	B	NTV 650 REVERE	650	1988	1993	R
	B	NX 650 DOMINATOR	650	1993	1994	R
	B	NX 650 DOMINATOR	650	1995	1997	R

B = Bike
A = ATV
S = Snowmobile

FERODO
MOTORCYCLE PADS
Updated on 11th Oct 2013

B = Bike
A = ATV
S = Snowmobile

3015



CC	FROM	TO	FRONT / REAR
...FDB531			
	PEUGEOT		
	TRIUMPH		
FDB533	HONDA		
FDB538	HONDA		
FDB539	DERBI		
	GASGAS		
	HONDA		



CC	FROM	TO	FRONT / REAR
	HUSQVARNA		
	KAWASAKI		
	KYMCO		
	PEUGEOT		
	SUZUKI		
	SYM		
	TM		
	YAMAHA		
FDB557	SUZUKI		



CC FROM TO FRONT / REAR

...FDB557

CC	FROM	TO	FRONT / REAR
B	GSX-R 400 R	400 1990 1995	F
B	GSX-R 600	600 2000	F
B	GSX-R 750	750 1988 1993	F
B	RF 900 RR	900 1994 1995	F
B	RF 900 RT - RV	900 1996 1999	F
B	GSX-R 1100 K - L - M - N	1100 1989 1992	F
B	GSF 1200 T-ST-V-SV- BANDIT	1200 1995 2000	F
B	BABY SPEED 600	600 2004	F
B	DAYTONA 600	600 2003	F
B	SPEED FOUR 600	600 2002	F
B	TT 600	600 2000 2003	F
B	DAYTONA 750 SPORT	750 1991 1992	F
B	DAYTONA 900	900 1993 1996	F
B	DAYTONA SPRINT 900	900 1994 1998	F
B	SPEED TRIPLE 900	900 1994	F
B	TROPHY 900	900 1996 1998	F
B	DAYTONA 955i	955 1997 2000	F
B	DAYTONA 955i	955 2001 2004	F
B	SPEED TRIPLE 955	955 2002	F
B	SPRINT RS 955 (from VIN 139277 to 161317) single sided swing arm	955 2003 2004	F
B	SPRINT RS 955 (from VIN 161318) double sided swing arm	955 2003 2004	F
B	SPRINT RS 955 (up to VIN 161317) double sided swing arm	955 1999 2002	F
B	SPRINT ST 955	955 1999 2004	F
B	DAYTONA 1000 SPORT	1000 1991 1992	F
B	SPRINT GT 1050	1050 2011	F
B	SPRINT ST 1050 / ABS	1050 2004	F
B	DAYTONA 1200	1200 1993 1998	F
B	TROPHY 1200	1200 1996 2001	F
B	THUNDERBIRD 1600 / Storm / SE ABS	1600 2008	F
B	ROCKET 2300 /Rocket III Classic / Touring / Roadster	2300 2004	F
B	TZ 125	125 1997	F
B	TZ 250 (Radial Caliper)	250 2002	F
B	TZ 250 A - GP	250 1990 2001	F
B	TZR 250 R - SP	250 1989 1992	F
B	FZR 750 (O W01)	750 1989 1991	F
FDB569	SUZUKI	B GSX 600 F KATANA	600 1988 1993 F
		B GSX 750 FK/FL/FM/FN/FP/FR/FS/FT/FV	750 1989 1997 F
		B VX 800	800 1990 1994 R
		B VX 800	800 1995 R
		B GSX 1100 FK - L - M - N - R	1100 1988 1993 F/R
		B GV 1400 CAVALCADE	1400 1987 1988 F
FDB570	CAGIVA	B 900 CAT	900 1993 F
		B GRAN CANYON 900	900 1999 F
		B NAVIGATOR / NAVIGATOR T	1000 2000 2005 F
	HONDA	B RS 125 R	125 1991 1994 F
		B SH 125i	125 2013 F
		B SH 150i ABS	150 2013 F
		B CB 250 NIGHT HAWK	250 1991 2001 F
		B CBR 250 R	250 2011 F
		B CBX 250 F	250 1995 F
		B JADE 250	250 1991 F
		B VT 250 CR MAGNA	250 1994 F
		B VT 250 SPADA	250 1988 F
		B VTR 250	250 1998 F
		B VTZ 250 XELVIS	250 1992 F
		B CB 400 FK (CB-1)	400 1990 F
		B CB 400 SUPER FOUR	400 1992 F
		B CB-1 400 F	400 1989 F
		B CBR 400 R R	400 1988 1993 F
		B CB 500 R	500 2013 F
		B CB 500 R/T	500 1994 1996 F
		B CB 500 X	500 2013 F
		B CBR 500 R	500 2013 F
		B CB 600 HORNET	600 1998 1999 F
		B CB 600 HORNET / S	600 2000 2006 F
		B CBF 600 4/A4 / HORNET / Travel	600 2004 F
		B NTV 600 REVERE - HAWK	600 1990 1992 F
		B SW-T 600 ABS	600 2011 R
		B VT 600 C SHADOW	600 1994 2003 F
		B XL 600 V TRANSALP	600 1994 1996 F
		B NT 650 HAWK GT	650 1988 1990 F
		B NTV 650	650 1994 1997 F
		B NTV 650 REVERE	650 1988 1993 F
		B DN-01 Sports Cruiser	680 2009 R
		B VFR 700 F INTERCEPTOR	700 1988 F/R
		B CB 750 N SEVEN FIFTY	750 1992 2002 F
		B CBR 750 F	750 1988 F/R
		B MAGNA 750	750 1993 F



CC FROM TO FRONT / REAR

FDB574

CC	FROM	TO	FRONT / REAR
B	VF 750 C	750 1993	F
B	VFR 750 F	750 1990 1993	F
B	VFR 750 F	750 1994 1997	F
B	VT 750 AMERICAN CLASSIC EDITION	750 1998	F
B	VT 750 C / C2 SHADOW / SHADOW SPIRIT	750 1997	F
B	VT 750 DCI	750 2001 2003	F
B	CROSSRUNNER	780 2011	R
B	PC 800 PACIFIC COAST	800 1989 1997	F/R
B	VFR 950 F CARAT	950 1992	F
B	CB 1000 SUPERFOUR (BIG FOUR)	1000 1992	F
B	CBF 1000	1000 2006	F
B	CBR 1000 F	1000 1989 1992	F/R
B	1100 AMERICAN CLASSIC EDITION	1100 1995	F
B	ST 1100 PAN EUROPEAN	1100 1990 2000	F/R
B	ST 1100 PAN EUROPEAN ABS/TCS	1100 1992 1995	F/R
B	VT 1100 C SHADOW	1100 1994	F
B	VT 1100 C2 SHADOW	1100 1995	F
B	VTX 1300 S / C	1300 2003	F
B	GL 1500 FC6	1500 1997 1999	F/R
B	V2 125	125 1999	F
B	Z 750 / Z 750 S	750 2007	F
B	Z800 E (CDS)	800 2013	F
B	XCITING 250	250 2004 2005	F/R
B	GRAND DINK 300i	300 2010	F
B	XCITING 500	500 2004	F/R
B	XCITING 500 / 500i	500 2005	R
B	BELLAGIO 1000 / Aquila Nera	1000 2008	R
B	V12 X / Strada	1200 2010	R
B	V12 X / Strada	1200 2010	R
B	SATELIS 125 / 600	125 2004 2005	F
B	Imazuma 250	250 2013	F
B	GSF 400 BANDIT	400 1995 1997	F
B	GSX 400 IMPULSE	400 1994 1996	F
B	RF 400 RVC	400 1993	F
B	GSF 600 BANDIT	600 1995 1999	F
B	GSX-R 600 F	600 1994 1995	F
B	RF 600 RR	600 1993 1997	F
B	BURGMAN 650/Executive/Z Executive	650 2002	F
B	INTRUDER C1500T	1500 2007	F
B	BONNEVILLE 800 (USA version)	800 2001	F
B	SPEEDMASTER 865	865 2004	F
B	T 100 BLACK	865 2012	F
B	ADVENTURER 900	900 1996 2001	F/R
B	LEGEND 900 TT	900 1999 2001	F/R
B	THRUXTON 900	900 2004 2007	F
B	THUNDERBIRD 900 / SPORT	900 1995	F/R
B	TIGER 950	950 1999	F/R
B	WR 250 XX (Supermotard)	250 2008	F
B	MT-01 1670	1670 2005 2006	R
B	MT-01 1670	1670 2007	R
FDB574	KAWASAKI	B VN 200	200 2007 F
		B KR-1 250 C1 - C3	250 1990 1992 F
		B ZXR 400	400 1991 F
		B ZZR 400	400 1990 1992 F
		B ZZR 400	400 1993 F
		B GPZ 500 S	500 1993 F
		B ZZ-R 500	500 1990 F
		B ZX 6R 600 D1-D2 (DX 6)	600 1990 1993 F
		B ZX 6R 600 NINJA	600 1994 1997 F
		B ZZR 600	600 1990 1992 F
		B ZZR 600	600 1993 F
		B ZX-7 750 R NINJA	750 1989 1995 F
		B ZXR 750	750 1989 1990 F
		B ZXR 750 R	750 1993 1995 F
		B ZXR 750 R STINGER / NINJA	750 1991 1992 F
		B GPZ 900 R	900 1990 1996 F
		B X-9 R 900 NINJA	900 1994 1995 F
		B ZX-9R 900 R NINJA (B1 - B2)	900 1994 1995 F
		B VERSYS 1000	1000 2012 F
		B ZZR 1000	1000 1991 F
		B ZR 1100 ZEPHYR (ZR 1100 A)	1100 1992 1996 F
		B ZX 1100	1100 1993 F
		B ZZR 1100 GT (ZX 1100 C)	1100 1990 1992 F
		B ZZR 1100 GT (ZX 1100 D)	1100 1993 2001 F
		B ZZR 1200	1200 2002 F
		B VN 1700 Classic Tourer / Custom	1700 2010 F
		B VN 1700 Voyager / Voyager Custom	1700 2009 F
		B VN 2000 VULCAN / CLASSIC	2000 2004 F

B = Bike
A = ATV
S = Snowmobile

FERODO
MOTORCYCLE PADS
Updated on 11th Oct 2013

B = Bike
A = ATV
S = Snowmobile

3017



CC FROM TO FRONT / REAR

Code	Brand	Model	CC	FROM	TO	FRONT / REAR		
FDB574	SUZUKI	B RG 125 T - FV	125	1992	1996	F		
		B RG 200 GAMMA	200	1993	1994	F		
		B COBRA 250	250	1989		F		
		B COBRA 250	250	1990		F		
		B GOOSE 250	250	1992		F		
		B GSX-R 250 R - R/SP	250	1989		F		
		B RGV 250	250	1993		F		
		B RGV 250	250	1994	1996	F		
		B RGV 250 R	250	1989		F		
		B RGV 250 R	250	1990	1992	F		
		B GOOSE 350	350	1992		F		
		B GSF 400 BANDIT	400	1993	1994	F		
		B GSF 400 S KATANA	400	1989	1990	F		
		B GSX 400 KATANA	400	1989	1992	F		
		B GSX-R 400 (V)	400	1989	1990	F		
		B RGV 500 GAMMA	500	1990		F		
		B GSR 600 /A / ABS	600	2006		F		
		B GSX-R 600 V	600	1996	2003	F		
		B BANDIT 650 / 650S ABS	650	2008		F		
		B BANDIT 650 FA	650	2012		F		
		B GSF 650S	650	2008		F		
		B GSX 650F	650	2008		F		
		B GSX-R 750 Y	750	2000	2003	F		
		B SV 1000 K3/SK3	1000	2003		F		
		B TL 1000 SV TWIN	1000	1997	2001	F		
		B GSF 1250 A BANDIT / SA / 1250S ABS	1250	2008		F		
		B GSF 1250 S ABS BANDIT	1250	2007		F		
		B GSX 1250 FA Traveller	1250	2010		F		
		B VS 1400 GLPT/GLPV	1400	1996	2002	F		
		FDB583	MOTO GUZZI	B NTX 750	750	1990		F
				B RT 180	180	1990	1992	F
				B RT 180	180	1993	1994	F
			YAMAHA	B XT 350	350	1988	1990	F
				B XT 350	350	1991		F
				B XT 600 4 VALVES	600	1986	1986	F
		B XT 600 4 VALVES	600	1987	1989	F		
B XT 600 Z TENERE	600	1985	1987	F				
B XT 600 Z TENERE	600	1988	1990	F				
FDB591	YAMAHA	B XV 400 VIRAGO	400	1988		F		
		B XV 535 VIRAGO	535	1987	1994	F		
FDB592	CAGIVA	B ALA AZZURRA 350 GT	350	1987		R		
		B ELEFANT 350	350	1985		F		
		B ELEFANT 650	650	1985		F		
		B DAKAR 750	750	1987		F		
		B ELEFANT 750	750	1987		F		
		B ELEFANT 750	750	1988	1989	F		
	DUCATI	B 350 INDIANA	350	1987		F		
		B 650 INDIANA	650	1987		F		
	LAVERDA	B OR 600	600	1986		R		
		B OR 600 ATLAS	600	1987		F		
	MOTO GUZZI	B VT 650 TT BAJA	650	1986		F		
	MOTO MORINI	B WS 350 PRO ACTION	350	1993		F		
	YAMAHA	B DT 125 CHESTERFIELD SCOUT	125	1988		F		
		B DT 125 LC TENERE	125	1988		F		
	FDB605	SUZUKI YAMAHA	B GSX-R 400	400	1990		F	
			B FZR 250 R	250	1989		F	
			B FZR 400 RR - SP	400	1991	1992	F	
			B XP 500 T MAX	500	2008	2011	F	
B XP 500 T MAX SV (Tech Max)			500	2011		F		
B XP 500 T MAX SV ABS (Tech Max)			500	2011		F		
B XP 530 T MAX			530	2012		F		
B XP 530 T MAX ABS			530	2012		F		
B FZ6 600 S2 / FZ6 600 FAZER S2 ABS			600	2007		F		
B FZS 600 FAZER			600	1999	2003	F		
B YZF 600 R THUNDERCAT			600	1995	1998	F		
B YZF 600 R6			600	1999	2002	F		
B YZF 600 R6			600	2003		F		
B YZF 750 R7 (OW02)			750	1999	2001	F		
B FAZER 8 / ABS			800	2010		F		
B FZ8			800	2010		F		
B FZ8 ABS			800	2013		F		
B TDM 900			900	2002		F		
B FZ1 1000 / FZ1 1000 Fazer ABS / FZ1 ABS			1000	2006		F		
B FZS 1000 FAZER			1000	2001	2005	F		
B YZF 1000 R1			1000	1998	2001	F		
B YZF 1000 R1			1000	2002	2003	F		
B YZF 1000 R1			1000	2004	2006	F		
B YZF 1000 THUNDERACE			1000	1996	2001	F		



CC FROM TO FRONT / REAR

Code	Brand	Model	CC	FROM	TO	FRONT / REAR
FDB606	HONDA SUZUKI	B BT 1100 BULLDOG	1100	2002		F
		B XT 1200 Z Supertenerè ABS	1200	2010		F
		B FJR 1300	1300	2001	2002	F
		B FJR 1300/FJR 1300 A	1300	2003	2005	F
		B XJR 1300	1300	2002		F
		B XJR 1300 / SP	1300	1999	2001	F
		B MT-01 1670	1670	2005	2006	F
		B XV 1700 ROYAL STAR WARRIOR	1700	2002		F
		B XV 1900 A MIDNIGHT STAR	1900	2006		F
		FDB607	SUZUKI	B VIZ 250 XELVIS	250	1992
B DR 650 R-RS-RSE-DJEBEL-DAKAR	650			1991	1995	F
B DR 750 S BIG	750			1988		F
B DR 750 S BIG	750			1989		F
B DR 800 BIG S - SU	800			1990		F
B DR 800 Z	800			1988	1989	F
FDB624	APRILIA BETA FANTIC GARELLI	B RG 125 T - FV	125	1992	1996	R
		B RG 125 U WOLF	125	1992	1994	R
		B RG 200 GAMMA	200	1993	1994	R
		B RG 200 WOLF	200	1993	1994	R
		B RGV 250	250	1993		R
		B DR 600 DJEBEL - DAKAR	600	1989		R
		B DR 650 R-RS-RSE-DJEBEL-DAKAR	650	1991	1995	R
		B DR 650 RS-R DAKAR	650	1990		R
		B DR 750 S BIG	750	1989		R
		B DR 800 BIG S - SU	800	1990		R
FDB625	BS VILLA CAGIVA GILERA HONDA	B ZX 50	50	1993		F
		B CITY 50	50	1992	1994	F
		B GP800	800	2008		R
		B GP 50 DIO	50	1991	1995	F
		B SR 50 DIO	50	1990		F
		B SR 50 LIFE DIO	50	1994		F
		B SUPER DIO 50 SR	50	1991	1992	F
		B SUPER DIO 50 ZX	50	1992		F
		B XR 50 DIO BAJA	50	1994		F
		B YUPY 50	50	1992		F
FDB631	BENELLI CAGIVA CPI ATV DAELIM E-TON ATV HONDA HYOSUNG	B ZX 50 LIFE DIO	50	1994		F
		B ZX DIO 50	50	1995		F
		B TUR/ML 125 (Brasil)	125			F
		B STRADA 200 (Brasil)	200			F
		B HSC 01 50	50	1992		F
		B SR 50 DIO	50	1992		F
		B ZR 50	50	1992		F
		B ZX 50 DIO	50	1992		F
		B CITY HOPPER 50	50	1999	2002	F
		B DD 50 CITY TREK	50	2002		F
B SUPER FANCY 50	50	1996	2002	F		
B CINDERELLA 50 / 100	100	1999	2000	F		
FDB631	BENELLI CAGIVA CPI ATV DAELIM E-TON ATV HONDA HYOSUNG	B QUATTRONOVE X	50	2010		R
		B CAFFENERO 250 (right)	250	2006		F
		B CANYON 500	500	1995		R
		B CANYON 600	600	1996	1997	R
		B CANYON 900 I.E.	900	1997		R
		B ELEFANT 900 I.E.- GT - AC	900	1991		R
		B GRAN CANYON 900	900	1999		R
		B ELEFANT 906	906	1990		R
		B NAVIGATOR / NAVIGATOR T	1000	2000	2005	R
		B NAVIGATOR 1000	1000	2001		R
		A 250 XS	250	2006		R
		B ROADWIN 125	125	2004		R
		A CXL 150 Yukon II/Challenger	150	2002	2009	R
		A RXL 150 Viper	150	2005	2006	R
		A RXL 150 Viper R	150	2005	2009	R
		B NSR 50	50	1994	2000	F
		B NSR 80 R	80	1993	1998	F
		B SUPRA 100	100	1999		F
B VT 125 SHADOW	125	1999		F		
B XL 125 VARADERO	125	2001		F		
B NSR 150	150	2001	2003	F		
B Electric GEM 4.0		2010		F/R		



CC FROM TO FRONT / REAR

CC	FROM	TO	FRONT / REAR
...FDB631			
KAWASAKI	B MS3 125	125 2006	F/R
	B MS3 250	250 2006	F/R
	B KAZER 115 R	115 1998 1999	F
	B KLR 650	650 2008 0000	R
KAWASAKI ATV	A KLF 300 BAYOU 4x4 C Series (right)	300 1989 2004	F
	A KLF 400 BAYOU 4x4 B Series (right)	400 1993 1999	F
	A KVF 650 Brute Force 4X4i All models (Right)	650 2007 2008	F
	A KRF 750 Teryx 4x4 All mod.(Right)-side by side	750 2008	F
	A KVF 750 BRUTE FORCE All Models (right)	750 2005 2010	F
MODENAS	B KRIS 115	115 1999	F
SUZUKI	B AN 400 BURGMAN (right)	400 2008	F
	B DR 800 BIG all models	800 1991	R
SUZUKI ATV	A LT-F 300 KING QUAD (right)	300 2002	F
	A LT-R 450 K/Z (right)	450 2006	F
	A LT-A 500 F QUADMASTER (right)	500 2000 2001	F
	A LT-F 500 FW/FX/F1 QUADRUNNER (right)	500 1998 2002	F
	A LT-A 700 KING QUAD (right)	700 2008	F
TRIUMPH	B DAYTONA 750 SPORT	750 1991 1992	R
	B TRIDENT 750 (left)	750 1992 1998	R
	B TRIDENT 750 (right)	750 1992 1998	F
	B DAYTONA 900	900 1993 1996	R
	B DAYTONA SPRINT 900	900 1994 1998	R
	B DAYTONA SPRINT 900 (left)	900 1993	R
	B DAYTONA SPRINT 900 (right)	900 1993	F
	B DAYTONA SUPER III 900	900 1994 1997	R
	B SPEED TRIPLE 900	900 1994	R
	B TIGER 900 (left)	900 1993 1998	R
	B TIGER 900 (right)	900 1993 1998	F
	B TRIDENT 900 SPRINTER (left)	900 1993 1998	R
	B TRIDENT 900 SPRINTER (right)	900 1993 1998	F
	B TROPHY 900	900 1996 1998	R
	B TROPHY 900 (left)	900 1993 1995	R
	B TROPHY 900 (right)	900 1993 1995	F
	B SPRINT RS 955 (up to VIN 161317) double sided swing arm	955 1999 2002	R
	B DAYTONA 1000 SPORT	1000 1991 1992	R
	B TIGER SE ABS 1050	1050 2008	R
	B DAYTONA 1200	1200 1993 1998	R
	B TROPHY 1200	1200 1996 2001	R
	B TROPHY 1200 (left)	1200 1993 1995	R
	B TROPHY 1200 (right)	1200 1993 1995	F
YAMAHA	B FZR 50	50 1990 1991	F
	B TZR 50	50 1997 2003	F
YAMAHA ATV	B XTZ 750 SUPER TENERE (right)	750 1989	F/R
	A YFZ 450 (right)	450 2004 2005	F
	A YFZ 450 (right) - All models	450 2006	F
	A YXR 450 RHINO (right) - side by side	450 2004 2009	F
	A YXR 660 RHINO (right) - side by side	660 2004 2007	F
	A YFM 700 RAPTOR (right) - All Models	700 2006	F
	A YXR 700 RHINO (left) - side by side	700 2008	F/R
FDB636			
ADLY	B Jet 50	50 1996	F
	B Pista 50	50 1996	F
	B Predator 50	50 2000	F
	B Jet 100	100 1996	F
	B Predator 100	100 2000	F
BETA	B R-125 (Pit Bike) / R125 Minimotoard 4T	125 2008	F
BS VILLA	B AX 50	50 1993	F
	B GZ 50	50 1993	F
FANTIC	B BIG WHEEL 50	50 1994	F
	B GRINTA 50	50 1995	F
	B LEADER 50	50 1995	F
	B PONY 50 SR	50 1993	F
	B QUEENIE 50	50 1995	F
GARELLI	B BIG WHEEL 50	50 1993 1994	F
	B BIP RACING 50	50 1994	F
	B GRINTA	50 1995	F
	B PONY 50 SR	50 1992 1995	F
	B QUEENIE	50 1995	F
ITALJET	B BAZOOKA 2 50	50 1992 1997	F
	B CRUISE 50	50 1995 1998	F
	B PISTA 2 50	50 1992 1996	F
	B SCOOP 50	50 1993	F
	B YANKEE 8 50	50 1994	F
MALAGUTI	B BLOG 125	125 2008	R
	B CENTRO 125 ie	125 2007	R
	B BLOG 160	160 2008	R
MBK	B TARGET 50	50 1992	F
	B BOOSTER 100	100 2000 2002	F
PGO	B BIG MAX 50	50 1995 2004	F



CC FROM TO FRONT / REAR

CC	FROM	TO	FRONT / REAR	
	YAMAHA	B 50 AXIS	50 1993	F
		B 50 AXIS PROFOOT	50 1994	F
		B 50 TRUNK	50 1994	F
		B CR 50 TARGET	50 1991	F
		B CR 50 Z	50 1992	F
		B JOG 50 (España)	50 1988	F
		B JOG 50 (Italia)	50 1993	F
		B RS 50 CHAMP	50 1988	F
		B TZM 50 R	50 1994	F
		B TZR 50	50 1990 1996	F
		B TZR 80	80 1992	F
		B 90 AXIS (Brasil)	90	F
		B CR 90 TARGET	90 1991	F
		B JOG 90	90 1990 1994	F
		B JOG 90 (Brasil)	90	F
		B BW S 100	100 2000 2002	F
FDB637	YAMAHA	B FZR 600 R	600 1991 1995	F
		B FZR 1000 EX-UP	1000 1991 1993	F
FDB659	CANNONDALE	B MX 400	400 2000 2002	R
		B 440 (All Enduro / MX Models)	440 2003	R
		B S 440 SUPERMOTO	440 2003	R
	KAWASAKI	B KDX 125 A1	125 1990 1994	R
		B KX 125	125 1989 1994	R
		B KX 125 K2-K4	125 1995	R
		B KDX 200 E1	200 1989	R
		B KDX 200 E6 / H1 - H3	200 1994 2003	R
		B KDX 200 SR	200 1990 1993	R
		B KDX 220 RA4	220 1997 2003	R
		B KDX 250 SR-D	250 1991 1993	R
		B KLX 250	250 1993	R
		B KLX 250	250 1995 1997	R
		B KX 250	250 1989 1994	R
		B KX 250	250 1994 1995	R
		B KR 500 ES	500 1993	R
		B KX 500	500 1989 1994	R
		B KX 500	500 1994 1995	R
		B KLX 600 R	600 1993	R
		B KLX 650 R	650 1993 1997	R
	SUZUKI	B RM 125 K - L - M	125 1989 1995	R
		B TS 125 RK	125 1989	R
		B TS 200 R	200 1990 1994	R
		B DJEBEL 250	250 1993	R
		B DR 250 S	250 1990 2000	R
		B RM 250	250 1991 1992	R
		B RM 250 K - L - M	250 1989 1994	R
		B RM 250 R-S	250 1993 1995	R
		B RMX 250	250 2000 2002	R
		B RMX 250 RP	250 1989 1995	R
		B RMX 250 T/V	250 1996 1998	R
		B DR 350	350 1990	R
		B DR 350 S-SH-SE	350 1993 1997	R
	YAMAHA	B FZR 50	50 1992	R
		B WR 125	125 1990	R
		B WR 125	125 1991 1992	R
		B YZ 125 all models	125 1990 1997	R
		B DT 200 WR	200 1991	R
		B WR 200 B	200 1991 1994	R
		B SEROW 225 XT	225 1993 1995	R
		B TT 250 R	250 1993 1999	R
		B TY 250 Z SCOTTISH	250 1996	R
		B WR 250 ZD/ZE/ZF	250 1991 1994	R
		B YZ 250 A - B	250 1990 1992	R
		B YZ 250 WRA/WRB	250 1990 1994	R
		B WR 400 F	400 1998	R
		B WR 500 ZD - ZE	500 1992 1993	R
		B TT 600	600 1993	R
		B TT 600 R (SPORTKIT)	600 1994 1997	R
FDB661	HONDA	B CR 80 R	80 2007	F
		B CR 85 R/RB	85 2003 2007	F
		B CRF 150 RB	150 2008	F
	HUSQVARNA	B 125 ALL MODELS 1993	125 1993	R
		B 250 ALL MODELS 1993	250 1993	R
	KAWASAKI	B KX 80 S1 - V1	80 1992	F
	KAWASAKI ATV	A KSF 250 A8 - A9	250 1994 1995	R
	SUZUKI	B RM 125 J	125 1988	R
		B TS 240 X	240 1988 1990	F
		B RM 250 H	250 1987 1988	R
		B RM 500	500 1987	R

B = Bike
A = ATV
S = Snowmobile

B = Bike
A = ATV
S = Snowmobile



		CC	FROM	TO	FRONT / REAR				
...FDB661	SUZUKI ATV	B	DR 800 Z	800	1988	1989	R		
		A	LT 230 S QUADSPORT	230	1985	1988	R		
	YAMAHA	B	80/85 Minicross/Junior	80	1993	2001	R		
		B	YZ 80	80	1996	2001	R		
		B	YZ 85 LW	85	2002	2012	R		
		B	YZ 125	125	1989		R		
		B	YZ 250	250	1989		R		
B	YZ 360	360	1989		R				
FDB662	YAMAHA	B	FZR 750 GENESIS	750	1987		F		
		B	TDM 850	850	1996	2001	F		
		B	XJ 900 F DIVERSION	900	1995		F		
		B	FJ 1200	1200	1988	1989	F		
		B	FJ 1200 ABS	1200	1991	1995	F		
		B	XJR 1200	1200	1994		F		
		B	XVZ 1300 AH/ATH ROYAL STAR	1300	1996	2001	F		
		FDB663	CAGIVA	B	CANYON 600	600	1996	1997	F
				B	ELEFANT 750	750	1994		F
				B	CANYON 900 I.E.	900	1997		F
B	ELEFANT 900 I.E. - GT - AC			900	1991		F		
B	ELEFANT 906			906	1990		F		
B	CB 125 TT			125	1990		F		
HONDA	B		CD 250	250	1988	1992	F		
	B		NV 400 CUSTOM	400	1988		F		
	B		NX 500 DOMINATOR	500	1988	1996	F		
	B		NV 600 C	600	1988		F		
	B		VLX 600 SHADOW	600	1988	1991	F		
	B		VT 600 C SHADOW	600	1988	1993	F		
	B		XL 600 V TRANSALP	600	1991	1993	F		
	B		NX 650 DOMINATOR J - K	650	1988	1992	F		
	B		XRV 650 AFRICA TWIN	650	1988	1989	F		
	B		CBR 750 F HURRICANE	750	1987	1988	F		
	B		CBR 750 SUPER AERO	750	1988	1989	F		
	B		VFR 750 F INTERCEPTOR	750	1986	1987	F		
	B		GL 1500 GOLD-ASPENCADE	1500	1992		F		
	B		GL 1500 SE GOLD WING	1500	1993	2000	F		
	B		GL 1520 / 6 GOLD WING	1500	1988	1991	F		
	FDB664		BUELL	B	Blast 500	500	2000	2001	F
B		900 CAT		900	1993		R		
CAGIVA		B	NAVIGATOR 1000	1000	2001		F		
		B	ROADWIN 125	125	2004		F		
DAELIM		B	ROCKET 125	125	1999	2001	F		
		B	VL 125 DAYSTAR	125	2003		F		
		B	VS 125 CUSTOM	125	2001		F		
		B	VT 125 MAGNA	125	1997		F		
HONDA		B	SILVERWING 400	400	2006		R		
		B	CBF 500	500	2004		F		
		B	CBF 600 S/ABS	600	2011		F		
		B	CBR 600 F / ABS	600	2011		F		
		B	CBR 600 F3	600	1995	1998	F		
		B	SILVER WING 600	600	2001		R		
		B	FMX 650	650	2005	2006	F		
		B	FMX 650	650	2007		F		
		B	NC 700 S.X (manual gearbox - No ABS)	700	2012		F		
		B	750 BLACK SPIRIT	750	2011		F		
YAMAHA		B	750 BLACK WIDOW	750	2001		F		
		B	CB 750 NIGHTHAWK	750	1991		F		
		B	VFR 750 F	750	1990	1993	R		
		B	VFR 750 F	750	1994	1997	R		
		B	VFR 750 F INTERCEPTOR	750	1988	1989	F/R		
		B	VT 750 S	750	2012		F		
		B	VFR 950 F CARAT	950	1992		R		
		B	CB 1000 SUPERFOUR (BIG FOUR)	1000	1992		R		
		B	VT 1300 CX	1300	2010		F		
		B	VENOX 250	250	2000		F		
		TRIUMPH	B	BONNEVILLE 800 / T100	100	2001		F	
			B	STREET TRIPLE 675	675	2007		F	
			B	TIGER 800	800	2011		F	
			B	AMERICA 865	865	2007		F	
			B	America 865	865	2010		F	
			B	BONNEVILLE 865 / California Street Racer / SE	865	2008		F	
B			BONNEVILLE T100 865 / 50th Anniversary	865	2008		F		
B			SCRAMBLER 865	865	2006		F		
B			SCRAMBLER 900	900	2010		F		
B			THRUXTON 900	900	2008		F		
YAMAHA		B	SPEEDMASTER	1000	2012		F		
		B	TIGER XC	1050	2011		F		
		B	WR 125 R / X	125	2008		F		
		B	X-CITY 125	125	2008		F		



		CC	FROM	TO	FRONT / REAR				
FDB665	HONDA	B	X-CITY 250	250	2008		F		
		B	NV 400 CUSTOM	400	1988		R		
		B	CBR 500	500	1987	1990	R		
		B	VF 500 FE - F2E	500	1984		R		
		B	VF 500 FF - F2F	500	1984		R		
		B	CBR 600 F/R HURRICANE	600	1987	1990	R		
		B	CBX 750 FE	750	1983	1984	R		
		B	VF 750 F-FD-FE-MAGNA-SABRE-INT	750	1982		R		
		B	VFR 750 F INTERCEPTOR	750	1986	1987	R		
		B	VF 1000 - 2	1000	1984	1986	R		
		B	VF 1000 BOL D'OR	1000	1984	1986	R		
		B	VF 1000 F - FE	1000	1984	1986	R		
		B	GL 1520	1500	1988	1989	F		
		B	GL 1520 / 6 GOLD WING	1500	1988	1991	R		
		FDB666	YAMAHA	B	SRX 400	400	1990	1996	F
				B	FZR 600 R	600	1990		F
				B	YZF 600 R	600	2000		F
				B	FZR 1000 R - EX-UP	1000	1989	1990	F
				B	YMX 1200 12N V - MAX	1200	1993	2003	F
		FDB672	HERCULES (SACHS)	B	SAMBA SR 80	80	1993		F
B	SAMBA SR 125			125	1993		F		
HONDA	B		NH 50 LEAD	50	1994		F		
	B		YUPY 90 (NH 90)	90	1990		F		
	B		COBRA 50 / RACER & CROSS	50	1999	2006	F		
KYMCO	B		CURIO 50	50	1994		F		
	B		CX 50 SUPER	50	1994	1997	F		
	B		K 12 50	50	1995		F		
	B		KB 50	50	1994	2000	F		
	B		SCOUT 50	50	1998		F		
	B		SNIPER 50 DD	50	1994	1996	F		
	B		TOP BOY 50	50	2000		F		
	B		ZK 50 SUPERFEVER	50	1999		F		
	B		ZX 50 FEVER	50	1995		F		
	B		SV 50 GEO (all models)	50	1993		F		
B	SV 125 GEO	125	1993		F				
FDB673	APRILIA	B	TUAREG 125 RALLY	125	1991		F		
		B	DR 250 S	250	1985		F		
	SUZUKI	B	DR 500 S	500	1989		F		
		B	DR 600 DJEBEL - DAKAR	600	1989		F		
		B	DR 600 R DAKAR-DJEBEL	600	1987	1988	F		
		B	DR 600 S	600	1989		F		
		B	DR 600 S - SU	600	1985	1986	F		
		B	SP 600	600	1985		F		
		B	DR 650 RS-R DAKAR	650	1990		F		
B		LS 650 P	650	1993		F			
B		VS 800 S INTRUDER	800	1991		F			
FDB677		APRILIA	B	CLASSIC 50	50	1992		F	
			B	MX 50	50	2003		F	
			B	RS 50	50	1999	2003	F	
	B		RS 50 / TUONO 50	50	2004	2006	F		
	B		RX 50	50	1992	1995	F		
	B		RX 50 RACING	50	2004		F		
	B		SX 50	50	2007		F		
	B		SX 50	50	2008		F		
	B		ETX 125	125	1998		F		
	B		PEGASO 125 KAT	125	1994		F		
	BENELLI	B	RX 125	125	1992	1994	F		
		B	VELVET 125	125	2009		F		
		B	VELVET 150	150	2009		F		
		B	VELVET 250	250	1999		F		
		B	RR 50 ENDURO / Racing	50	2005		F		
		B	RR 50 MOTARD Racing Ed.	50	2008		F		
	BETA	B	ALP 125 4T	125	2005		F		
		B	RR Enduro 125 4T	125	2008		F		
		B	RR MOTARD 125 4T	125	2006		F		
		B	URBAN 125 / Rebel 125	125	2008		F		
		B	ALP 200 4T	200	2005		F		
		B	URBAN 200	200	2008		F		
		B	ALP 4.0 350	350	2004		F		
		B	ALP 4.0 350 4T	350	2005		F		
		B	PAMPERA 250	250	2002		F		
		B	DNA 50	50	2001		F		
	GASGAS GILERA	B	RUNNER 125	125	2000		F		
		B	RUNNER 125 FX - SP	125	2000		F		
		B	RUNNER 125 VX 4T	125	2001		F		
		B	RUNNER 180	180	2000		F		
		B	RUNNER 180 FXR - SP	180	1999		F		
		B	RUNNER 180 VXR 4T	180	2001		F		



CC FROM TO FRONT / REAR

Model	CC	FROM	TO	FRONT / REAR
...FDB677				
HONDA	B	200	2004	F
HONDA	B	50	2006	F
HONDA ITALIA	B	50		F
PEUGEOT	B	125	2003	F
	B	125	2006	F
	B	150	2001	F
	B	250	2007	F
PIAGGIO	B	125	2001	F/R
	B	125	2000	2003 F
	B	125	1998	1999 F
	B	125	1998	1999 F
	B	125	2000	F
	B	125	2003	F
	B	150	1998	1999 F
	B	150	2000	F
	B	180	2001	2002 F
	B	180	1998	1999 F
	B	180	2000	F
	B	200	2001	F/R
	B	200	2003	F
	B	250	2002	2006 F/R
	B	250	1998	1999 F
	B	250	2001	2002 F
RIEJU	B	50	2004	2008 F
	B	50	2005	F
	B	50	2004	F
	B	125	2009	F
SACHS	B	125	2001	F
YAMAHA	B	125	2008	F
FDB680				
APRILIA	B	50	1992	F
	B	50	1998	F/R
	B	50	1995	1998 F
	B	50	1998	F
	B	50	2004	F
	B	50	1995	F
	B	50	1996	F/R
	B	50	1996	F
	B	50	1998	F/R
	B	50	1997	F
	B	50	1997	F
	B	50	2000	F
	B	50	2004	F
	B	50	1997	1999 F/R
	B	50	1997	2001 F/R
	B	70	1994	F
	B	125	1995	1996 R
	B	125	1997	1998 R
	B	125	2004	F
	B	150	1997	1998 R
	B	250	1997	R
ATALA	B	50	1996	F
	B	50	1997	F
	B	50	1996	F
	B	50	2000	F
	B	50	1998	F
BENELLI	B	50	1997	F
	B	50	1997	F/R
	B	50	1998	2001 F
	B	50	1999	F
	B	100	1999	F
	B	125	1998	R
	B	125	1999	F
	B	125	1999	2008 F/R
	B	150	1999	F
	B	150	1999	2008 F/R
BETA	B	50	1996	F/R
	B	50	1996	F
	B	50	1994	F
	B	50	1997	F
	B	50	1995	F
CAGIVA	B	50	2000	F
	B	125	2000	F
DERBI	B	50	2011	R
	B	125	2011	F
GILERA	B	50	1995	1996 F
	B	50	2001	2003 F
	B	50	1995	2003 F



CC FROM TO FRONT / REAR

Model	CC	FROM	TO	FRONT / REAR
FDB694				
	B	50	1997	1998 F
	B	50	1999	2005 F
	B	50	1997	F
	B	50	1994	1995 F
	B	50	1993	1995 F
	B	50	1996	F
	B	80	1995	F
	B	125	1995	F
	B	125	2000	F
HERCULES (SACHS)	B	50	1993	F
HONDA	B	50	1995	F
	B	50	1997	2003 F
	B	50	1997	F
	B	50	2000	F
	B	50	1997	1999 F
	B	50	1998	F
	B	50	1998	F
	B	100	1997	2001 F
HYOSUNG	B	125	1998	F
	B	125	1999	F
	B	150	1998	F
ITALJET	B	50	1994	1996 R
	B	80	1994	R
	B	125	1994	1996 R
KTM	B	50	1996	F
MACAL	B	50	1999	F
MALAGUTI	B	50	1999	F
	B	50	1994	F
	B	50	1999	R
	B	50	1998	F/R
	B	50	1998	R
	B	50	2008	F/R
	B	50	1998	F
	B	50	2000	2003 F
	B	50	2000	2002 F
	B	50	1994	1997 F
	B	50	1995	2001 F
	B	50	2002	F
	B	50	2008	F/R
	B	50	1994	1995 F
	B	50	1996	1997 F
	B	50	2001	2005 F
	B	50	1996	1997 F
	B	50	1998	F
	B	50	1998	F
	B	50	1999	2001 F
	B	50	2001	2005 F
	B	50	2010	R
	B	50	1996	F
	B	50	2000	F
	B	50	2005	F
	B	50	1993	1999 F
	B	50	2000	2007 F
	B	50	2000	F
	B	50	1995	1996 F
	B	50	2002	F
	B	50	1993	1997 F
	B	80	1993	1996 F
	B	100	2002	F
	B	125	1994	1997 F
	B	125	1995	2000 F
	B	125	1999	2003 F
	B	150	1994	1999 F
RIZZATO	B	50	1995	F
SUZUKI	B	50	1997	F
YAMAHA	B	50	1994	1996 F
	B	50	1995	F
	B	50	1996	1998 F
	B	50	1996	F
	B	150	2001	2003 F
FDB694				
APRILIA	B	50	1987	R

B = Bike
A = ATV
S = Snowmobile

B = Bike
A = ATV
S = Snowmobile



CC FROM TO FRONT / REAR

...FDB694

CAGIVA	B	AF1 50 EUROPA	50	1991		R	
	B	AF1 50 FUTURA	50	1990		R	
	B	ET 50 AE	50	1987		R	
	B	MX 50	50	2003		R	
	B	RS 50	50	1993	1998	R	
	B	RS 50	50	1999	2003	R	
	B	RS 50 / TUONO 50	50	2004	2006	R	
	B	RX 50	50	1990	1991	R	
	B	RX 50 RACING	50	2004		R	
	B	SX 50	50	2007		R	
	B	TUAREG 50 RALLY	50	1990		R	
	B	CLIMBER 240	240	1989	1990	R	
	B	CLIMBER 275	275	1989	1992	R	
	B	BLUES 50	50	1989		R	
	B	COCIS 50	50	1988		R	
	B	LUCKY EXPLORER 50	50	1988		R	
	B	W4 PRO ACTION 50	50	1994		R	
	B	COCIS 80	80	1989		R	
	B	W4 PRO ACTION 80	80	1994		R	
	B	ALETTA 125 ELECTRA	125	1984		F	
	B	ALETTA 125 ELECTRA	125	1988		F	
	B	ALETTA 125 ELECTRA	125	2000		F	
	B	ALETTA 125 ELECTRA CLASSIC	125	1987		F/R	
	B	ALETTA 125 ORO S2	125	1986		F/R	
	B	BLUES 125	125	1993		R	
	B	CRUISER 125	125	1987		R	
	B	DAKAR 125	125	1985		F	
	B	ELEFANT 125	125	1984		F	
	B	ELEFANT 125	125	1985	1986	F	
	B	ELEFANT 125	125	2000		F	
	B	GP 125 S ALETTA ORO	125	1985		F/R	
	B	N 125	125	1991		R	
	B	SST 125	125	1981		F	
	B	SST 125 LOW RIDER	125	1983		F	
	B	SST 125 spoke wheel	125			F	
	B	SXT 125	125	1982		F	
	B	TAMANACO 125	125	1989		R	
	B	W8 125 PRO ACTION	125	1996		R	
	B	WSXT 125 ALETTA ROSSA	125	1983		F	
	B	XSST 125	125	1981		F	
	B	XSST 125	125	2000		F	
	B	ELEFANT 200	200	1985		F	
	B	ELEFANT 200	200	1988		F	
	B	ELEFANT 200 A.E.	200	1986		F	
	DERBI	B	GPR 50 SPORT	50	1996		R
		B	GPR 75 SPORT	75	1990		R
	FANTIC	B	CABALLERO 50 RC	50	1990		R
		B	KOALA 50	50	1987		F/R
	GARELLI	B	RAIDER 125	125	1983		F
		B	RAIDER 125 LC	125	1983		F
GILERA	B	GTA 125	125	1986	2000	F/R	
	B	GTA 125	125	1986	1986	F	
HRD	B	NGR 250	250	1985		F	
	B	FORMULA 125 LS	125	1986		F/R	
KTM	B	PLATINO 125 SL	125	1986		F/R	
	B	SILVER 125 HOUSE	125	1986		F/R	
LAVERDA	B	SX 60 / 65	60	2000	2001	R	
	B	SX 65	65	2002	2003	R	
MALANCA	B	125 (Brembo caliper)	125	1982		F	
	B	GS 125 LESMO	125	1990		F/R	
	B	LB 125 CUSTOM	125			F	
	B	LB 125 STRADA	125			F	
	B	LB 125 UNO	125			F	
PUCH	B	MARK 125	125	1985		F	
	B	OB ONE 125 6M	125	1985		F/R	
	B	OB ONE 125 RACING	125	1985		F/R	
FDB695	B	CROSS 250	250	1986	1986	R	
APRILIA	B	ASR 125	125	1986		F	
	B	ETX 125	125	1984		F	
BETA	B	STX 125	125	1984		F	
	B	RX 50	50	1984		F	
	B	RX 125	125	1983		F	
	B	RX 125	125	1984		F	
	B	FL 400 R PILOT (4W)	400	1989	1990	R	
LAVERDA	B	125 (Grimeca caliper)	125	1982		F	
MOTO MORINI	B	CAMEL 501	50	2000		R	
	B	EXCALIBUR 501	50	1986	1986	R	
	B	KJ 125	125	1984		F	



CC FROM TO FRONT / REAR

FDB696

FANTIC	B	EXCALIBUR 350	350	1986	1989	R	
	B	K2 350	350	1984		R	
	B	KANGURO 350	350	1984		F	
	B	SPORT 350	350	1982		F/R	
	B	XE 350	350	1985		F	
	B	CAMEL 500	500	1984		F	
	GARELLI GILERA MOTO MORINI PUCH	B	SPORT 125	125	2000		F
		B	SPORT 125 MK II	125	2000		F
		B	SPORT 125 MK II (f.a.tel.1706338)	125	1985		F
		B	STRADA 125 (FM. 4000-A)	125	1983		F
B		TSR 125	125			F	
B		RV 125	125	1983		F	
B		RV 200	200	1985		F	
B		K2 350	350	1984		F	
B		MAXI 80	80	1988		F	
FDB697		B	50 ENDURO CODICE	50	1989		R
	B	CE 50	50	1987		R	
	B	KR 80	80	1987		R	
	APRILIA	B	AF1 50 AE all models	50	1987		F
		B	AF1 50 EUROPA	50	1991		F
		B	AF1 50 FUTURA	50	1990		F
		B	ET 50 AE	50	1987		F
		B	ETX 50	50	1986		F
		B	RED ROSE 50	50	1988	1991	F
		B	RED ROSE 50	50	1992		F
B		RX 50	50	1990	1991	F	
B		TUAREG 50	50	1986		F	
B		TUAREG 50	50	1987		F	
B	TUAREG 50 RALLY	50	1990		F		
B	CLASSIC 80	80	1993		F		
B	CLIMBER 240	240	1989	1990	F		
B	TRX 240 M	240	1989		F/R		
B	CLIMBER 275	275	1989	1992	F		
ATK (USA) BETA	B	all models 1989-93	1989	1993		R	
	B	ALP 50	50	1991		R	
	B	CHRONO 50	50	1992	1994	F	
	B	CHRONO 50	50	1994		F	
	B	KR 50	50	1987		F	
	B	KR 50 ADVENTURE	50	1987		F	
	B	TEMPO 50	50	1993		F	
	B	REV 80	80	2008		R	
	B	TR 34 125	125	1988		R	
	B	REV 4T 250	250	2007	2008	R	
B	TR 34 250	250	1986	1988	R		
B	TR 34 250 PROFESSIONAL	250	1989		R		
B	TR 34 260	260	1987	1988	R		
DERBI	B	GPR 50 SPORT	50	1996		F	
	B	GPR 75 SPORT	75	1990		F	
	FANTIC	B	FAST 50	50	1988		F
		B	OASIS 50 .1	50	1986		F
	B	OASIS 50 .1 E.S.	50	1987		F	
	B	OASIS 50 .1 K.S.	50	1987		F	
	B	OASIS 50 .1 KICK	50	1987		F	
	B	OASIS 50 .1 RALLY	50	1986		F	
	GARELLI	B	SAHEL 50	50	1991		F
		B	TIGER 50 XLE	50	1986		F
GILERA	B	SAHEL 80	80	1989		F	
	B	EAGLET 50	50	1996		F	
KTM MALAGUTI	B	GO 50 SCOOTER	50	1994		F	
	B	CENTRO 50 SL	50	1993	1999	F	
	B	F 12 50 PHANTOM (liquid cooled)	50	1994		F	
	B	F 12 50 PHANTOM (liquid cooled)	50	1999		F	
	B	F 15 50 FIREFOX Twin disk	50	1998		F	
	B	MDX GOLD 50 ENDURO	50	1987		F	
	B	MLX 50 ENDURO	50	1987		F	
	B	X-LIMIT 50	50	1998	2003	F	
	PIAGGIO	B	FREE 50	50	1996	2000	F
		B	FREE Delivery 50	50	2000	2001	F
RIZZATO	B	ATALA CAROSELLO 50	50	1997		F	
	B	REVIVAL	50	2003		F	
TOMOS	B	STREETMATE	50	2003		F	
	B	DT 50 R	50	1997		F	
YAMAHA	B	DT 50 R	50	2002	2007	F	
	FDB706	B	CLASSIC 125	125	1996		F
B		PEGASO 125	125	1989		F	
B		RED ROSE 125	125	1990		F	
B		RX 125	125	1990		F	
B		RX 125	125	1991		F	



CC FROM TO FRONT / REAR

Code	Brand	Model	CC	FROM	TO	FRONT / REAR		
...FDB706	B	TUAREG 125 RALLY	125	1989	1990	F		
		BETA	RR 50 all models	50	1999		F	
		BULTACO	RR 50 PRO RACE	50	1998		F	
			LOBITO 50	50	1998		F	
		CAGIVA	LOBITO 75	75	1999		F	
			ELEFANT 750 BIFARO	750	1990		R	
		DERBI	GPR 50 R/REPLICA	50	1997	2005	F	
		PEUGEOT	XR 6 50	50	2002		F	
			XPS 6 SUPERMOTARD	600	2003		F	
		RIEJU	MRX 50 CASTROL	50	2001	2002	F	
			RR 50 CASTROL	50	2000	2002	F	
			RS1 50	50	2001	2004	F	
			SPIKE 50 MOTARD	50	2004		F	
			MRX 125	125	2002	2008	F	
		SACHS	SMX 125	125	2002	2007	F	
			ROADSTER 125	125	2000	2003	F	
		SHERCO	Enduro 50c (2T)/Urban/SU - Spoke wheel models	50	2008	2010	F	
			Enduro 50cc (2T)	50	2002	2007	F	
			Supermotard 50cc (2T)	50	2002	2007	F	
			City Corp 125 (All models)	125	2003	2007	F	
		FDB731	APRILIA	SCARABEO 50 2T Street / 4T 4V	50	2010		F
				DERBI	SENDA DRD Racing 50	50	2011	R
		FANTIC	B	SENDA DRD X-Treme 50 SM	50	2011		F/R
RAIDER 50	50			1981		F		
RAIDER 50 .1	50			1986		F		
STRADA 50 (FM. 240)	50			1982		F		
KRAM IT	ER 125 RV 3			125	1988		R	
MALAGUTI	B	ER 250 RV 3	250		R			
		ER 300 RV 3	300	1988	R			
		MEX 50 ENDURO	50	1986		F		
FDB736	BMW	K 75 750	750	1990	1996	F		
		K 75 750 (ABS caliper)	750	1991	1996	F		
		K 75 750 RT	750	1991	1993	F		
		K 75 750 RT	750	1994	2000	F		
		R 80 800 all models	800	1989	1995	F		
		R 80 800 R ROADSTER	800	1993	1994	R		
		K 100 1000 LT	1000	1988	1992	F		
		K 100 1000 RS	1000	1988	1989	F		
		R 100 1000 R ROADSTER - MYSTIC	1000	1993	1996	F		
		K 1100 LT (ABS)	1100	1992	1993	R		
		K 1100 RS (ABS)	1100	1994	1999	R		
		K 1100 RT (ABS)	1100	1994	1999	R		
K 1200 ST	1200	1999	2001	R				
FDB737	YAMAHA	400 ARTESIA	400	1991		F		
		XT 600 E - K	600	1991	1994	F		
		XT 600 E - K	600	1995	2003	F		
		XT 600 Z TENERE	600	1991		F		
		XTZ 660 TENERE	660	1991	1998	F		
FDB741	KAWASAKI	ZX 400 L	400	1992		F		
		ZXR 400 (ZX 400L) RR	400	1992		F		
FDB754	HONDA	CBR 250 R ABS	250	2011		R		
		FORZA 250	250	2000	2004	R		
		CBF 500	500	2004		R		
		CBF 500 ABS	500	2004	2007	R		
		CB 600 HORNET	600	1998	1999	R		
		CB 600 HORNET (Japan)	600	1998		R		
		CB 600 HORNET / S	600	2000	2006	R		
		CB 600 HORNET ABS	600	2007		R		
		CBF 600 4/A4 / HORNET / Travel	600	2004		R		
		CBF 600 N / S / ABS	600	2008		R		
		CBF 600 S/ABS	600	2011		R		
		CBR 600 F	600	2007		R		
		CBR 600 F (Japan)	600	1999	2004	R		
		CBR 600 F1 / F2 / FS1 / FS2 Sport	600	2001	2002	R		
		CBR 600 F2	600	1991	1994	R		
		CBR 600 F3	600	1995	1998	R		
		CBR 600 F4 / F4i Sport	600	1999	2004	R		
		CBR 600 FX / FY	600	1999	2000	R		
		CBR 600 RR	600	2003	2004	R		
		CBR 600 RR	600	2005	2006	R		
		CBR 600 RR - Racing Applications	600	2005		R		
		FMX 650	650	2005	2006	R		
		TRANSALP 680	680	2008		R		
		NC 700 D Integra	700	2012		R		
		NC 700 SA,XA (manual gearbox - ABS)	700	2012		R		
		NC 700 SD,XD (automatic gearbox - ABS)	700	2012		R		
		CB 750 N SEVEN FIFTY	750	1992	2002	R		
		CB 900 HORNET	900	2002		R		



CC FROM TO FRONT / REAR

Code	Brand	Model	CC	FROM	TO	FRONT / REAR
FDB781	B	CBR 900 RR-FIREBLADE	900	1992	1995	R
		CBR 900 RR-FIREBLADE	900	1998	1999	R
		CBR 900 RR-FIREBLADE	900	2000	2003	R
		CBR 900 RR-FIREBLADE (Japan)	900	1998	2003	R
		CBR 929 RR-FIREBLADE	929	2000	2001	R
		CB 1000 SF	1000	1993	1997	R
		CBF 1000	1000	2006		R
		CBF 1000 / ST	1000	2011		R
		CBR 1000 BIG ONE	1000	1993	1997	R
		CBR 1000 FIREBLADE	1000	2004	2005	R
		CBR 1000 FIREBLADE - Racing Applications	1000	2004		R
		VTR 1000 FV FIRESTORM - SUPERHAWK	1000	1997	2000	R
		VTR 1000 SP-1 (Japan)	1000	2000	2004	R
		VTR 1000 SP-1 (SP45)	1000	2000	2001	R
		VTR 1000 SP-2 (R51)	1000	2002		R
		1100 AMERICAN CLASSIC EDITION	1100	1995		R
		CB 1100	1100	2013		R
		VT 1100 C2 SHADOW	1100	1995		R
		CROSS TOURER	1250	2012		R
		CB 1300	1300	2001		R
		CB 1300 S	1300	2011		R
		VT 1300 CX	1300	2010		R
		VTX 1300 S / C	1300	2003		R
		Z 750 / Z 750 S	750	2007		R
		Z 750 R	750	2011		R
		Z 1000	1000	2007	2009	R
		Imazuma 250	250	2013		R
		BANDIT 650 / 650S ABS	650	2008		R
		BANDIT 650 FA	650	2012		R
		DL 650 V-STROM (left)	650	2004		R
		GSF 650S	650	2008		R
		GSX 650F	650	2008		R
		SV 650 (left)	650	2003		R
		V-STROM 650 (left) / ABS / DL 650 T	650	2007		R
		V-STROM 650 A Traveller (Left)	650	2011		R
		XF 650 FREEWIND	650	1997	2002	R
GSR 750 (Left)	750	2011		R		
DL 1000 V-STROM (left)	1000	2004		R		
SV 1000 K3/SK3	1000	2003		R		
V-STROM 1000 (left) / DL 1000 K7	1000	2007		R		
GSF 1250 A BANDIT / SA / 1250S ABS	1250	2008		R		
GSF 1250 S ABS BANDIT	1250	2007		R		
GSX 1250 FA Traveller	1250	2010		R		
BABY SPEED 600	600	2004		R		
DAYTONA 600	600	2003		R		
FZ6 600 / FZ6 600 FAZER ABS	600	2004		R		
FZ6 600 S2 / FZ6 600 FAZER S2 ABS	600	2007		R		
XJ6 /ABS	600	2013		R		
XJ6 ABS SP	600	2013		R		
XJ6 Diversion /ABS / F ABS	600	2008		R		
YZF 600 R	600	2003		R		
MT-03 660	660	2006	2007	R		
FAZER 8 / ABS	800	2010		R		
FZ8	800	2010		R		
FZ8 ABS	800	2013		R		
FZ1 1000 / FZ1 1000 Fazer ABS / FZ1 ABS	1000	2006		R		
YZF 1000 R1	1000	2004	2006	R		
YZF 1000 R1	1000	2007		R		
FDB781	YAMAHA	TDR 125 R	125	1993	2003	F
		FZX 250 ZEAL	250	1991		F
		SRV 250 SOULFULTWIN RENAISSA	250	1992	1997	F
		TY 250 Z SCOTTISH	250	1996		F
		XVS 400	400	1998	1999	F
		YP 400 MAJESTY	400	2005	2008	F
		YP 400 MAJESTY	400	2009		F
		XP 500 T MAX	500	2001	2003	F
		XV 535 VIRAGO	535	1995	1998	F
		600 DIVERSION	600	1992	1997	F
		XJ 600 S	600	1992	1997	F
		XVS 650 A DRAG STAR CLASSIC	650	1998		F
		XVS 650 DRAG STAR	650	1997		F
		XV 750 VIRAGO	750	1994	1997	F
		XJ 900 SECA DIVERSION	900	1995	2003	F
XV 1100 VIRAGO	1100	1994	1998	F		
XVZ 1300 TF VENTURE STAR	1300	1999	2001	F		
XV 1600 A WILD STAR	1600	1999		F		
FDB782	APRILIA	PEGASO 650	650	1991	1995	F
		MZ	BAGHIRA / MASTIFF	660	2000	

B = Bike
A = ATV
S = Snowmobile

B = Bike
A = ATV
S = Snowmobile



				CC	FROM	TO	FRONT / REAR	
FDB783	HONDA PEUGEOT	B	NS-1 75	75	1992		R	
		B	SV 50 GEO	50	1992		F	
		B	ZENITH 50	50	1994	1995	F	
		B	SV 125 GEO	125	1991	1992	F	
FDB784	ITALJET	B	FORMULA 50	50	1994	1996	F	
		B	FORMULA 80	80	1994		F	
		B	FORMULA 125	125	1994	1996	F	
	PIAGGIO	B	QUARTZ 50	50	1992	1996	F	
		B	SKIPPER 80	80	1994	1996	F	
		B	SKIPPER 125	125	1993	1997	F	
B	SKIPPER 150	150	1993	1997	F			
FDB828	APRILIA	B	ETX 125	125	1998		R	
		B	MX 125	125	2004		R	
		B	PEGASO 125	125	1989		R	
		B	PEGASO 125 KAT	125	1994		R	
		B	RX 125	125	1990		R	
		B	RX 125	125	1991		R	
		B	RX 125	125	1992	1994	R	
		B	RX 125	125	1995		R	
		B	SX 125	125	2008		R	
		B	TUAREG 125 RALLY	125	1989	1990	R	
		B	TUAREG 125 RALLY	125	1991		R	
		B	PEGASO 600	600	1990		R	
		B	TUAREG 600 WIND	600	1990		R	
		B	TUAREG 600 WIND PARIS-DAKAR	600	1989		R	
		B	TUAREG 600 WIND.	600	1989		R	
		B	MOTO 650 6.5	650	1995	1999	R	
		B	PEGASO 650	650	1991	1995	R	
		B	PEGASO 650	650	1996	2000	R	
		B	STARCK 650	650	1996		R	
		BETA	B	JONATHAN 125	125	2002	2005	R
			B	ALP 4.0 350	350	2004		R
			B	EURO 350	350	2002		R
		CAGIVA	B	M4 Supermotard 350	350	2004	2006	R
			B	WMX 50	50	1989		R
		FANTIC	B	N 90 ENDURO	90	1990		R
			B	BIG WEEL 50	50	1994		R
		GARELLI	B	GRINTA 50	50	1995		R
			B	LEADER 50	50	1995		R
		GILERA	B	BIG WHEEL 50	50	1993	1994	R
			B	EAGLET 50	50	1996		R
		HONDA	B	RC 50 TOP RALLY	50	1990	1995	F/R
			B	CRE 50 Baja	50	2011		R
			B	CRM 50 Derapage	50	2011		R
	B		CRE Baja HM 125 4T	125	2011		R	
	B		CRE Baja RR HM 125 4T	125	2011		R	
	HONDA ITALIA	B	CRM 125 Derapage HM 125 4T	125	2011		R	
		B	CRE 50 (from frame nr.2819)	50			R	
	LEM	B	FLASH 50	50	1994		F	
	MALAGUTI	B	F 10 50 JETLINE	50	1992	1993	F	
	MZ	B	BAGHIRA / MASTIFF	660	2000		R	
		B	RS2 50 FR / PRO	50	2008		R	
	RIEJU	B	RS2 50 PRO	50	2009		R	
		B	NKD 125	125	2008		R	
	SACHS	B	XTC 125 SUPERSPORT	125	2000		R	
		B	ZX 125	125	2001		R	
	SUZUKI ATV	A	LT-AF 500 FK VINSON	500	2003	2007	R	
	FDB847	BUCELL	B	all models		1994	1997	F
	FDB858	HONDA	B	RS 125 R	125	1995		F
			B	NSR 250 R SE-SP	250	1994		F
			B	RS 250	250	1993	1994	F
			B	RVF 400	400	1994		F
			B	CBR 750 SUPER AERO	750	1988	1989	R
			B	RVF 750 RR (RC 45)	750	1994		F
FDB864	TRIUMPH	B	DAYTONA SUPER III 900	900	1994	1997	F	
		B	YZF 750 RR-SP	750	1993	1998	F	
	YAMAHA	B	FZR 1000 GENESIS - EX-UP	1000	1994	1995	F	
		B	FZR 1000 R	1000	1994	1995	F	
FDB865	YAMAHA	B	GTS 1000	1000	1993	1999	F	
FDB873	KAWASAKI	B	ZRX 400	400	1998		F	
		B	ZX 6R 600 NINJA	600	1998	2001	F	
		B	ZX-7 750 R NINJA	750	1996	1999	F	
		B	ZX-9R 900 R NINJA (B1 - B2)	900	1996	1997	F	
		B	ZX-9R 900 R NINJA (B1 - B2)	900	1998	1999	F	
		B	ZX-9R 900 R NINJA (B3 - B4) (C1 - C2) (E1 - E2)	900	2000	2001	F	
		B	ZR 1100 C1	1100	1997	2000	F	
		B	ZRX 1200 R - S	1200	2001		F	
		B	ZX 12 1200 R	1200	2000	2003	F	



				CC	FROM	TO	FRONT / REAR			
SUZUKI	SUZUKI	B	MEAN STREAK 1500	1500	2002	2003	F			
		B	VN 1600 MEAN STREAK	1600	2004		F			
		B	GSX-R 750 W	750	1994	1999	F			
		B	GSX R 1000	1000	2001	2002	F			
		B	TL 1000 R	1000	1998	2002	F			
		B	GSX-R 1100 W	1100	1993	1996	F			
		B	GSF 1200 K1/SK1 BANDIT	1200	2001		F			
		B	GSX-R 1300 HAYABUSA	1300	1999	2007	F			
		B	GSX 1400	1400	2002		F			
		B	VZ 1600 MARAUDER	1600	2004		F			
		FDB889	APRILIA	B	SR 50 all models	50	1993	1996	F	
				B	REV 3 250 / Long Range	250	2008		R	
				B	REV 3 250 / Long Range	250	2008		R	
			DERBI	B	VAMOS 50 R	50	1995		F	
				MBK	B	BOOSTER 50 / SPIRIT	50	1996		F
					B	BOOSTER 50 NEXT GENERATION	50	1996	1998	F
B	BOOSTER 50 R		50		1994	1995	F			
B	BOOSTER 50 TRACK		50	1996	1998	F				
B	EVOLIS 50		50	1992		F				
B	FIZZ 50		50	1994		F				
B	FORTE 50		50	1995		F				
B	NITRO 50		50	1997		F				
B	OVETTO 50	50	1997		F					
B	ROCKET 50	50	1996	1998	F					
B	EVOLIS 80	80	1994		F					
MONTESA	B	COTA 315 R	315	1998		R				
	B	MY BUBU 50	50	2003		F				
	B	AP 50	50	1995	2002	F				
SUZUKI	SUZUKI	B	50 AEROX LC	50	1997		F			
		B	CW 50 RS	50	1995		F			
		B	EW 50 SLIDER	50	2000	2003	F			
		B	JOG 50 Z (Italia) - R / RR	50	1993		F			
		B	YE 50 ZEST	50	1992		F			
		B	YE 50 ZEST	50	1993	1995	F			
		B	YH 50 WHY	50	1999		F			
		B	YN 50 NEO'S / 4T	50	1998		F			
		B	YQ 50 AEROX / AEROX R	50	1998		F			
		B	YN 100 NEO'S	100	2000	2003	F			
		B	YQ 100 AEROX	100	2000		F			
		B	XN 125 N TEO'S	125	2000	2003	F			
FDB892	APRILIA	B	MXV 450	450	2008		F			
		B	RXV 450 / Rally / Merriman Replica	450	2005		F			
		B	RXV 550	550	2005		F			
		BETA	B	RR 400 Enduro / Racing Ed.	400	2008		F		
			B	FACTORY 450	450	2009		F		
			B	RR 450 ENDURO	450	2008		F		
		CANNONDALE	B	RR Enduro 525 4T	525	2008		F		
			B	MX 400	400	2000	2002	F		
			B	440 (All Enduro / MX Models)	440	2003		F		
		GASGAS	B	S 440 SUPERMOTO	440	2003		F		
			B	EC / MC 125	125	2000		F		
			B	EC 200	200	2001		F		
B	EC / MC 250		250	2000		F				
B	EC / MC 300		300	2000		F				
B	EC 400		400	2001		F				
B	FSE 450		450	2004		F				
B	CRE 50 Six Racing		50	2011		F				
HONDA	HONDA	B	CR 125	125	2002		F			
		B	CR 125 RW - RX - RY - R1	125	1996	2001	F			
		B	CRE 125 2T /Six Comp	125	2002		F			
		B	CRE 125 4T Six Racing	125	2011		F			
		B	XLR 125	125	1993		F			
		B	CRF 150	150	2003	2007	F			
		B	NX 150 (Brasil)	150			F			
		B	CTX 200	200	2003	2004	F			
		B	NX 200 (Brasil)	200			F			
		B	XLR 200 R	200	1993		F			
		B	XR 200 (Brasil)	200			F			
		B	CRF 230 F	230	2003	2007	F			
B	CRF 230 F	230	2008		F					
B	EASY 230 Enduro /SM	230	2008		F					
B	SL 230	230	1997		F					
B	CR 250	250	2002		F					
B	CR 250 R	250	1996		F					
B	CRE 250 / CRE F250 X/R	250	2002		F					
B	CRF 250 X / R	250	2004		F					
B	CRM 250 R	250	1991		F					
B	NX 250 DOMINATOR	250	1993		F					



CC FROM TO FRONT / REAR

...FDB892

		CC	FROM	TO	FRONT / REAR	
	B	XL 250 DEGREE	250	1991	F	
	B	XLR 250 R	250	1991	F	
	B	XLR 250 R BAJA	250	1991	F	
	B	XR 250 L	250	1991	1995	F
	B	XR 250 R	250	1994	F	
	B	CRE F300 X	300	2008	F	
	B	NX 350 SAHARA (Brasil)	350		F	
	B	XR 400 R (All Models)	400	1996	F	
	B	XR 400 SUPERMOTARD	400	2000	F	
	B	XR 440 R (DALL'ARA)	440	1999	F	
	B	CRE F450 R	450	2011	F	
	B	CRE F450 X/R	450	2008	F	
	B	CRF 450 R	450	2002	F	
	B	CRF 450 Rally	450	2013	F	
	B	CRF 450 SUPERMOTARD	450	2002	F	
	B	CR 500 R	500	1993	1994	F
	B	CR 500 R	500	1995	2001	F
	B	CRE F500 X	500	2009	F	
	B	XL 600 V TRANSALP	600	1997	1999	F
	B	XR 600 L - R	600	1994	2002	F
	B	NX 650 DOMINATOR	650	1995	1997	F
	B	XL 650 V TRANSALP	650	2000	F	
	B	XR 650 L	650	1996	F	
	B	XR 650 R	650	1999	F	
	B	XRV 750 R AFRICA TWIN	750	1994	2003	F
HONDA ATV	A	TRX 450 R/ER	450	2004	2009	F
	A	TRX 700 XX (8/XX9)	700	2008	2009	F
KAWASAKI	B	KX 125	125	1996	2002	F
	B	KX 125	125	2003	F	
	B	KX 125 K2-K4	125	1995	F	
	B	KDX 200 E6 / H1 - H3	200	1994	2003	F
	B	KDX 220 RA4	220	1997	2003	F
	B	KDX 250 K2-K4	250	1995	F	
	B	KLX 250	250	1995	1997	F
	B	KX 250	250	1994	1995	F
	B	KX 250	250	1996	2002	F
	B	KX 250	250	2003	F	
	B	KX 250 F	250	2004	F	
	B	KLX 300 R	300	1997	2003	F
	B	KLX 450 R	450	2007	F	
	B	KX 450 F	450	2006	F	
	B	KX 500	500	1994	1995	F
	B	KX 500 E8/E9	500	1996	F	
	B	KLX 600 R	600	1993	F	
	B	KLX 650 R	650	1993	1997	F
SUZUKI	B	DR 125 SM	125	2008	F	
	B	RM 125	125	2009	F	
	B	RM 125 E	125	2009	F	
	B	RM 125 T - U - V	125	1996	1998	F
	B	RM 125 X - Y - K1	125	1999	2008	F
	B	SM 125	125	2010	F	
	B	RM 250	250	2000	2008	F
	B	RM 250	250	2009	F	
	B	RM 250 T/V	250	1996	1999	F
	B	RM-Z 250	250	2004	2008	F
	B	RM-Z 250 / E	250	2009	F	
	B	RMX 250	250	2000	2002	F
	B	RMX 250 T/V	250	1996	1998	F
	B	DR-Z 400 S - E - SM	400	2000	F	
	B	RM-Z 450	450	2005	2007	F
	B	RM-Z 450 / E	450	2008	F	
	B	RMX 450 E	450	2009	F	
	B	SM 450X	450	2009	F	
	B	DR 650 SE	650	1996	F	
YAMAHA	B	YZ 125	125	2003	2007	F
	B	YZ 125 all models	125	1998	2002	F
	B	YZ-R 125	125	2008	F	
	B	WR 250 F / FN / FT / FV	250	2003	2006	F
	B	WR 250 F / RX	250	2008	F	
	B	WR 250 FN	250	2001	2002	F
	B	WR 250 FW	250	2007	F	
	B	WR 250 K	250	1998	F	
	B	YZ / WR 250	250	2003	2007	F
	B	YZ 250 FN	250	2001	2002	F
	B	YZ 250 K/L/M	250	1998	2000	F
	B	YZ 250 N	250	2001	F	
	B	WR 400 F	400	1998	F	
	B	WR 400 F	400	1999	2001	F



CC FROM TO FRONT / REAR

FDB2001

		CC	FROM	TO	FRONT / REAR		
	B	YZ 400 F	400	1998	F		
	B	WR 426 FN	426	2000	2002	F	
	B	YZ 426 FM / FN	426	2000	2002	F	
	B	WR 450 FR/FS	450	2003	F		
	B	YZ 450 F	450	2003	2007	F	
FDB2001	HARLEY DAVIDSON	B	XL 883 EVO	883	1987	1999	R
		B	XL 1200 EVO	1200		1999	R
		B	FLST Heritage Softail®	1340		1990	R
		B	FLSTC Heritage Softail® Classic	1340		1999	R
		B	FLSTF Fat Boy®	1340	1990	1999	R
		B	FLSTN Heritage Softail®	1340	1993	1996	R
		B	FLSTS Heritage Springer® Softail®	1340	1997	1999	R
		B	FXD Dyna Super Glide®	1340	1995	1999	R
		B	FXDB Dyna Street Bob	1340	1991	1992	R
		B	FXDC Dyna Super Glide® Custom	1340	1991	1992	R
		B	FXDG Dyna Glide Sturgis®	1340	1991	R	
		B	FXDL Dyna Low Rider®	1340	1993	1999	R
		B	FXDS-Conv. / Dyna Convertible	1340	1994	1999	R
		B	FXDWG Dyna Wide Glide®	1340	1993	1999	R
		B	FXDX Dyna Super Glide® Sport	1340	1995	1999	R
		B	FXLR Low Rider® Custom	1340		1994	R
		B	FXR Super Glide®	1340		1994	R
		B	FXRS Low Glide	1340		1992	R
		B	FXRT Sport Glide®	1340		1992	R
		B	FXST Softail®	1340		1990	R
		B	FXST Softail® Standard	1340	1999	R	
		B	FXSTB Night Train®	1340		1999	R
		B	FXSTC Softail® Custom	1340		1999	R
		B	FXSTS Springer Softail®	1340		1999	R
		B	FXSTSB Bad Boy	1340	1995	1997	R
	POLARIS SNOWMOBILE	S	HAYES (all models)		1993	1998	R
		S	INDY 440 XCR		1993	1999	R
		S	INDY 600 XCR - SP		1996	1999	R
		S	INDY RXL - RMK - SKS		1993	1997	R
		S	INDY SPORT - TOURING		1993	1998	R
		S	INDY TRAIL - DE LUXE		1993	1998	R
		S	INDY TRANSPORT		1996	1998	R
		S	INDY ULTRA (all models)		1996	1998	R
		S	INDY XLT (all models)		1993	1998	R
		S	XCF 440		1998	2000	R
FDB2002	HONDA	B	CBR 1000 F-FP	1000	1993	1999	F/R
FDB2003	ITALJET	B	JUPITER 125	125	2001	F	
		B	JUPITER 125 / 150 / 250	125	2002	2003	F
		B	JUPITER 250	250	2001	F	
		B	JUPITER 250	250	2002	F	
	KTM	B	SX 450 SMR	450	2005	2006	R
		B	SX 525 SMR	525	2005	R	
	LINHAI	B	Monarch 125 T	125	2006	F	
		B	Monarch 150 T	150	2006	F	
		B	Main Street 300 (Scooter)	300	2007	F	
	MBK	B	SKYLINER 250	250	2000	2002	F
		B	SKYLINER 400	400	2004	F	
	YAMAHA	B	SR 125	125	1997	2003	F
		B	TDR 125	125	1993	1993	F
		B	TZR 125	125	1993	F	
		B	XV 125 VIRAGO	125	1997	2000	F
		B	XVS 125 DRAG STAR	125	2000	F	
		B	XV 250 S DRAGSTER	250	2001	2003	F
		B	XV 250 S VIRAGO	250	1995	2000	F
		B	YP 250 A MAJESTY	250	2000	F	
		B	YP 250 MAJESTY	250	1996	1997	F
		B	YP 250 MAJESTY DX - ABS	250	1998	1999	F
		B	XJ 400 DIVERSION - R	400	1991	1994	F
		B	XJR 400 R	400	1997	F	
		B	YP 400 MAJESTY	400	2004	F	
		B	XP 500 T MAX	500	2004	2007	F
		B	FZ6 600 / FZ6 600 FAZER ABS	600	2004	F	
		B	XJ 600 S	600	1998	2003	F
		B	XJ6 /ABS	600	2013	F	
		B	XJ6 ABS SP	600	2013	F	
		B	XJ6 Diversion /ABS / F ABS	600	2008	F	
		B	MT-03 660	660	2006	2007	F
		B	MT-03 660	660	2008	F	
		B	XVS 1100 DRAG STAR / CLASSIC	1100	1999	F	
		B	FJ 1200	1200	1999	F	
		B	XVS 1300 A Midnight Star	1300	2008	F	
FDB2005	ALFER	B	NO LIMITS 250	250	1995	R	
		B	VR 250 ENDURO	250	1995	R	

B = Bike
A = ATV
S = Snowmobile

FERODO
MOTORCYCLE PADS
Updated on 11th Oct 2013

B = Bike
A = ATV
S = Snowmobile

3025



CC FROM TO FRONT / REAR

...FDB2005

		CC	FROM	TO	FRONT / REAR
	B	VR 250 MOTOCROSS	250	1995	R
	B	VR 250 SUPERMOTARD	250	1999	R
APRILIA	B	PEGASO 650 TRAIL	650	2007	R
	B	PEGASO 650 / I.E.	650	2001	2004 R
	B	PEGASO 650 Factory	650	2008	R
	B	PEGASO 650 STRADA	650	2004	R
	B	SL 750 SHIVER ABS / GT	750	2008	R
	B	SMV 750 Dorsoduro	750	2008	R
	B	SMV 750 Dorsoduro FACTORY	750	2010	R
	B	CAPONORD 1200	1200	2013	R
	B	DORSODURO 1200 / ABS / ATC	1200	2011	R
ATK (USA)	B	all models 1996-01	1996	2001	R
	B	500 / 600 Dirt Track	500	1998	1999 R
BENELLI	B	BX 449 Motard	449	2010	R
	B	BX 449 / Enduro	450	2008	R
BETA	B	JONATHAN 125	125	1999	2001 R
	B	EURO 350	350	1999	2001 R
BMW	B	C1 125 Scooter	125	2000	2003 R
	B	C1 200 Scooter	200	2001	2003 R
	B	F 650 / 650 ST	650	1994	2000 R
	B	F 650 GS / CS	650	2001	R
	B	F 650 SCARVER	650	2002	R
	B	G 650 X Challenge / X Country	650	2007	R
	B	G 650 X Moto	650	2008	R
	B	G650 GS	650	2011	R
	B	F800 GS	800	2008	R
	B	F800 GT	800	2013	R
	B	F800 S / ST / R	800	2007	R
	B	R 850 RT	850	1998	2001 R
	B	S1000RR	1000	2009	R
CCM	B	604 E 600 SPORT	600	1999	R
	B	604 E 600 SUPERMOTO	600	1999	R
	B	C 25 600	600	1996	R
	B	604 RS ROADSTER	604	2000	R
DUCATI	B	Sportclassic GT 1000 / SPORT 1000S / Touring	1000	2008	R
GASGAS	B	EC / MC 125	125	1996	1999 R
	B	EC / MC 250	250	1996	1999 R
	B	TT 250	250	1995	R
	B	EC / MC 300	300	1996	1999 R
HONDA	B	CB 500 S	500	1999	2003 R
	B	CB 500 V	500	1997	2003 R
	B	NX 500	500	1997	1999 R
	B	NX 650 DOMINATOR	650	1998	2002 R
	B	SLR 650	650	1997	1998 R
	B	VIGOR 650	650	1999	2002 R
HUSABERG	B	FC 501	50	1998	R
	B	FE 501 S - E	50	1998	R
	B	FE 350 / 450 / 550 / 650 / E	350	1995	R
	B	MC 350	350	1994	R
	B	FC 400	400	1999	R
	B	FE 400 S - E	400	1998	R
	B	FE 450	450	2003	2006 R
	B	FE 450 c	450	2006	R
	B	500 all models	500	1996	R
	B	FC 350 / 450 / 550	550	1995	R
	B	FE 550 E Strada	550	2008	R
	B	FE 570	570	2009	R
	B	EF 600 E (Quad)	600	1998	F
	B	FC 600 SUPERMOTARD	600	1998	R
	B	FE 600 S - E - R	600	1998	R
	B	FE 600 SUPERMOTARD	600	2000	2007 R
	B	FE 650 E	650	2006	2008 R
	B	FS 650 e, c	650	2006	R
HUSQVARNA	B	125 ALL MODELS 1994-1995	125	1994	1995 R
	B	CR 125	125	1996	2004 R
	B	SM 125 S	125	2002	2011 R
	B	SM 125 S (4T)	125	2011	R
	B	SM 125 S SUPERMOTARD	125	1998	1999 R
	B	TE 125	125	2011	R
	B	WR 125	125	1998	2005 R
	B	WRE 125 / DUAL	125	1994	R
	B	250 ALL MODELS 1994-1995	250	1994	1995 R
	B	CR 250	250	1996	R
	B	SMS 250	250	2011	R
	B	TC / TE 250	250	2002	2005 R
	B	WR 250	250	1998	R
	B	WR 300	300	2009	R
	B	TE 350	350	1996	R



CC FROM TO FRONT / REAR

...FDB2005

		CC	FROM	TO	FRONT / REAR
	B	WR 360 ENDURO	360	1998	1999 R
	B	TE 400 E DUAL - ENDURO	400	1998	R
	B	TE 410 E	410	2000	R
	B	SM 450 R	450	2004	2006 R
	B	TC / TE 450	450	2003	2006 R
	B	SM 510 R	510	2004	2006 R
	B	TC / TE 510	510	2004	2005 R
	B	SM 570 R	570	2004	R
	B	TE 570	570	2004	R
	B	SM 600 SUPERMOTARD	600	1998	R
	B	TE 600	600	1996	R
	B	TE 600 E DUAL - ENDURO	600	1998	R
	B	LT 610	610	2000	R
	B	SM 610 / S	610	2000	2006 R
	B	SM 610 R / IE	610	2007	R
	B	TC 610	610	1996	R
	B	TE 610 E	610	1995	R
	B	TE 610 E SUPERMOTARD	610	2000	R
	B	SM 630 S	630	2010	R
	B	SMR 630	630	2004	2006 R
	B	SMR 630	630	2011	R
	B	TE 630	630	2010	R
	B	BAJA	650	2013	R
	B	Moab	650	2012	R
	B	SMR 650	650	2007	R
	B	STR 650	650	2007	R
	B	TR 650 strada	650	2012	R
	B	TR 650 terra	650	2012	R
	B	NUDA 900	900	2012	R
	B	NUDA 900 ABS	900	2013	R
	B	NUDA 900 R	900	2012	R
	B	NUDA 900 R ABS	900	2013	R
KTM	B	125 DUKE	125	2010	R
	B	125 DUKE ABS	125	2013	R
	B	EXC 125	125	1998	2003 R
	B	EXE 125	125	2000	2003 R
	B	LC2 125	125	1998	R
	B	LC2 STING 125	125	1998	R
	B	SX 125	125	1996	2002 R
	B	200 DUKE ABS	200	2013	R
	B	EGS 200	200	1998	R
	B	EXC 200	200	1998	R
	B	250 all models	250	1994	1995 R
	B	EXC 250	250	1998	2006 R
	B	SX 250	250	1996	2002 R
	B	300 all models	300	1994	1995 R
	B	EXC 300	300	1998	2006 R
	B	SX 380	380	1998	R
	B	390 DUKE ABS	390	2013	R
	B	LC4 400 E	400	1998	R
	B	SX 400	400	2000	R
	B	SXC 400	400	1998	R
	B	500 all models	500	1994	1995 R
	B	EXC 500	500	1998	R
	B	SXC 540	540	1998	R
	B	SC 600	600	1998	R
	B	ADVENTURE 620 / 625 / 640 R	620	1998	R
	B	LC4 620 COMPETITION	620	1998	R
	B	THE DUKE 620	620	1994	1998 R
	B	625 SMC LC4	625	2005	R
	B	DUKE 2 640	640	1998	1999 R
	B	LC4 640 DUKE II	640	2000	R
	B	LC4 640 E	640	1998	R
	B	LC4 640 SUPERMOTO	640	1998	R
	B	SXC 650	650	2004	R
	B	660 SMC	660	2004	R
	B	LC4 660 SUPERMOTO	660	2003	R
	B	690 DUKE	690	2012	R
	B	690 DUKE R	690	2013	R
	B	690 Enduro / R	690	2008	R
	B	690 SM	690	2007	R
	B	690 SMR / SMC / DUKE / SupermotoR	690	2008	R
	B	LC4 690 SUPERMOTO Prestige	690	2007	R
	B	DUKE 950 / 990 / 990 RC8	950	2003	R
	B	990 SUPERDUKE	990	2010	R
	B	990 SUPERDUKE	990	2010	R
	B	990 SUPERDUKE / SUPERDUKE R / SUPERMOTO	990	2005	2009 R
MAICO	B	250 CROSS	250	1998	R

3026

B = Bike
A = ATV
S = Snowmobile

FERODO
MOTORCYCLE PADS
Updated on 11th Oct 2013

B = Bike
A = ATV
S = Snowmobile



CC FROM TO FRONT / REAR

Code	Brand	Model	CC	FROM	TO	FRONT / REAR	
...FDB2005	TM	B 500 CROSS	500	1998		R	
		B 80/85 Cross		1996	2001	R	
		B 80/85/100 (Big wheel)		2002	2004	R	
		B 80/85/100 Junior Cross (Small wheel)		2002	2004	R	
		B 80 Enduro	80	1996	2000	R	
		B 125 Cross	125	1995	2000	R	
		B 125 Enduro	125	1995	2000	R	
		B 250 Cross	250	1995	2000	R	
		B 250 Enduro	250	1995	2000	R	
		B 300 Cross	300	1995	2000	R	
		B 300 Enduro (2T)	300	1995	2000	R	
		B 400 Cross (4T)	400	1995	2000	R	
		B 530 Cross (4T)	530	1998	2000	R	
		YAMAHA	B WR 125 R / X	125	2008		R
			B YP 400 MAJESTY	400	2009		R
			B TT 600 R	600	1998	1999	R
			B TT 600 RE	600	2004		R
			B TT-R 600 R	600	2000	2003	R
			B MT-03 660	660	2008		R
			B XT 660 R	660	2004		R
B XT 660 X MOTARD	660		2005		R		
B XT 660 Z TENERE	660		2008		R		
FDB2006	APRILIA		B RS 125 EXTREMA - REPLICA	125	1998	1999	F
		B PEGASO 600	600	1990		F	
		B MOTO 650 6.5	650	1995	1999	F	
		B PEGASO 650	650	1996	2000	F	
		B PEGASO 650 TRAIL	650	2007		F	
		B PEGASO 650 / I.E.	650	2001	2004	F	
		B STARCK 650	650	1996		F	
		B ETV 1000 CAPONORD / RALLY RAID	1000	2001		F	
		BMW	B C1 125 Scooter	125	2000	2003	F
			B C1 200 Scooter	200	2001	2003	F
	B C 600 SPORT		600	2012		F/R	
	B C 650 GT		650	2012		F/R	
	B F 650 / 650 ST		650	1994	2000	F	
	B F 650 GS / CS		650	2001		F	
	B F 650 SCARVER		650	2002		F	
	B G 650 X Challenge / X Country		650	2007		F	
	B G650 GS		650	2011		F	
	B F800 GS		800	2008		F	
	B HP2 Enduro 1200	1200	2007		F		
	B K 1600 GT/ GTL/GTL E	1600	2011		R		
DUCATI	B GT 1000	1000	2006	2007	F		
	B PAUL SMART 1000 Limited Edition	1000	2007		F		
	B SPORT 1000	1000	2006		F		
	B Sportclassic GT 1000 / SPORT 1000S / Touring	1000	2008		F		
	B DIAVEL 1200	1200	2011		R		
	B DIAVEL 1200	1200	2011		R		
	HONDA	B CB 500 S	500	1999	2003	F	
B CB 500 V		500	1997	2003	F		
B NX 500		500	1997	1999	F		
B NT 650 V DEAUVILLE		650	1998	2001	F		
B NX 650 DOMINATOR		650	1998	2002	F		
HUSQVARNA	B SLR 650	650	1997	1998	F		
	B VIGOR 650	650	1999	2002	F		
	B BAJA	650	2013		F		
	B Moab	650	2012		F		
	B TR 650 strada	650	2012		F		
	B TR 650 terra	650	2012		F		
KTM	B 690 Enduro / R	690	2008		F		
	B 950 R SUPERENDURO	950	2006	2008	F		
MOTO GUZZI	B ADVENTURE 950	950	2003		F		
	B ADVENTURE 990 / 990 R	990	2008		F		
	B BELLAGIO 1000 / Aquila Nera	1000	2008		F		
	B CALIFORNIA 1000 EV	1000	1999	2001	R		
	B CENTAURO 1000	1000	1996	1999	R		
	B CALIFORNIA 1100	1100	1997	2001	R		
	B CENTAURO 1100 V11 SPORT	1100	1999	2000	R		
	B QUOTA 1100 ES	1100	1999	2001	F		
	B GRAN PASSO 1200 / H83	1200	2010		F		
	B SCRAMBLER 1200	1200	2010		F		
MOTO MORINI	B Granpasso 1200 / H83	1200	2008		F		
	B Scrambler 1200	1200	2008		F		
	B THUNDERBIRD 1600 / Storm / SE ABS	1600	2008		R		
TRIUMPH	B ROCKET 2300 / Rocket III Classic / Touring / Roadster	2300	2004		R		
	B XT 660 R	660	2004		F		
FDB2007	APRILIA	B SVX VD8 450/550 Replica	450	2007		F	
		DUCATI	B 748 RACING CLIENTI	748	1995	1997	F



CC FROM TO FRONT / REAR

Code	Brand	Model	CC	FROM	TO	FRONT / REAR	
		B 880 RACING	880	1994	1995	F	
		B 916 RACING CLIENTI	916	1995	1998	F	
FDB2008	HONDA	B RS 250 R	250	1995		F	
FDB2012	KAWASAKI	B ZR 400 ZEPHYR	400	1993	1995	R	
		B ZRX 400	400	1998		R	
		B ZRX 400 (ZR 400 E2)	400	1999	2001	R	
		B ZXR 400	400	1994		R	
		B ZZR 400	400	1993		R	
		B ZR 550 ZEPHYR	550	1993	1999	R	
		B ZX 6RR (ZX 599 B1)	599	2003	2006	R	
		B ZX 6RR (ZX 599 B1) - Racing Applications	599	2003	2006	R	
		B ZX 6R 600 NINJA	600	1994	1997	R	
		B ZX 6R 600 NINJA	600	1998	2001	R	
		B ZX 6R 600 NINJA	600	2007		R	
		B ZX 6R 600 NINJA (Racing Applications)	600	1998	2001	R	
		B ZZR 600	600	1993		R	
		B ZX 6R (ZX 636 K1)	636	2003	2006	R	
		B ZX 6R (ZX 636 K1) - Racing Applications	636	2003	2006	R	
		B ER-6 650 F / N (right)	650	2005		R	
		B VERSYS 650 (left)	650	2007	2008	R	
		B Z 750 / Z 750 S (left)	750	2004	2006	R	
		B X-9 R 900 NINJA	900	1994	1995	R	
		B ZX-9R 900 R NINJA (B1 - B2)	900	1994	1995	R	
B ZX-9R 900 R NINJA (B1 - B2)	900	1996	1997	R			
B ZX-9R 900 R NINJA (B1 - B2)	900	1998	1999	R			
B ZX-9R 900 R NINJA (B3 - B4) (C1 - C2) (E1 - E2)	900	2000	2001	R			
B ZX-9R 900 R NINJA (Racing Applications)	900	1996	1997	R			
B ZX-9R 900 R NINJA (Racing Applications)	900	1998	1999	R			
B ZX-9R 900 R NINJA (Racing Applications)	900	2000	2001	R			
B ZX-9R 900 R NINJA F1-F2	900	2002	2004	R			
B Z 1000 (ZR 1000 A1)	1000	2003	2006	R			
B Z 1000 / ABS / SX	1000	2010		R			
B Z 1000 / SE	1000	2012		R			
B Z 1000 SX	1000	2012		R			
B ZX-10R 1000	1000	2004	2007	R			
B ZX-10R 1000	1000	2008	2010	R			
B ZX-10R 1000 - Racing Applications	1000	2004		R			
B GPZ 1100 (left)	1100	1995	1997	R			
B 1400 GTR	1400	2012		R			
FDB2013	KAWASAKI ATV	A KSF 250 A8 - A9	250	1994	1995	F	
		A KSF 250 MOJAVE A Series	250	1987	2005	F	
		A KXF 250 Tecate	250	1987	1988	F	
		A KXF 250 Tecate	250	1989		F	
		A KEF 300 LAKOTA A Series, LAKOTA SPORT B Series	300	1995	2003	F	
		SUZUKI ATV	A LT 230 EH/EJ/EL/EM/EN/EP	230	1986	1993	F
			A LT 230 S QUADSPORT	230	1985	1988	F
			A LT 230 S QUADSPORT	230	1989		F
			A LT 250 R	250	1985	1986	F
			A LT 250 R	250	1987	1992	F
A LT 250 S	250	1989	1990	F			
A LT 500 R	500	1987	1990	F			
FDB2014	YAMAHA 3 WHEELERS	A YT 125 G/H/J/K/L/N	125	1980	1985	R	
		A YT 175 JJK	175	1982	1983	R	
		A YTM 200 EK/EL	200	1983	1984	R	
		A YTM 200 ERN	200	1985	2000	R	
		A YTM 200 K/L/N	200	1983	1985	R	
		A YTM 225 DRN/DRS	225	1985	1986	R	
		A YTM 225 DXK/DXL/DXN	225	1983	1985	R	
		YAMAHA ATV	A YFM 200 (Moto 4)	200	1985	1989	R
			A YFM 225 (Moto 4)	225	1986	1988	R
			A YFM 250 W/A/B	250	1989	1991	R
A YFM 350 ER E/F/G	350		1993	1995	R		
A YFM 350 ER W/A/D	350		1989	1992	R		
A YFM 350 ERT/ERU	350	1987	1988	R			
A YFM 350 FW T/U	350	1987	1988	R			
A YFM 350 FW T/U BIG BEAR	350	1987	1988	R			
A YFM 350 FW W/A/B/D/E/F/G BIG BEAR	350	1989	1995	R			
YAMAHA SNOWMOBILE	S EXCEL V		1979	1980	F		
	S EXCITER		1976	2000	F		
	S GPX (All Models)		1974	1975	F		
	S OVATION		1989	1993	F		
	S PHAZER		1984	1993	F		
	S SNO-SCOOT		1989	1991	F		
	S SPV		1980	1991	F		
	S SS 440		1980	1993	F		
	S SSR		1978	2000	F		
	S V-MAX		1983	1991	F		
S VK X 440		1989	1991	F			

B = Bike
A = ATV
S = Snowmobile

B = Bike
A = ATV
S = Snowmobile



CC FROM TO FRONT / REAR

Code	Brand	Model	CC	FROM	TO	FRONT / REAR
...FDB2014		S XL-V		1985	1990	F
FDB2015	KAWASAKI	B KLE 250 ANHELO	250	2000	2002	R
	YAMAHA	B DT 50 LCD	50	1996	1998	F
		B YZ 80	80	1986	1992	F
		B YZ 80	80	1993	2001	F
		B YZ 85 LW	85	2002	2012	F
		B TT-R 125 LW	125	2000	2012	F
FDB2016	ARCTIC CAT ATV	A 400 DVX	400	2004	2008	R
	HYOSUNG ATV	A RAPIER 450 /S	450	2008		F/R
	KAWASAKI ATV	A KSF 400 / KFX 400	400	2004	2006	R
		A KSF 450 / KFX 450	450	2007		R
	SUZUKI ATV	A LT 250 R	250	1987	1992	R
		A LT-Z 400 QUADSPORT	400	2003	2009	R
		A LT-A 450 KING QUAD (left)	450	2007	2009	R
		A LT-R 450 K/Z (left)	450	2006		R
		A LT-R 450 Z Quad Racer (right)	450	2008		R
		A LT 500 R	500	1987	1990	R
		A LT-A 500 KING QUAD 4x4 (left)	500	2009		R
		A LT-A 700 KING QUAD (left)	700	2005	2007	R
		A LT-A 750 KING QUAD (left)	750	2008		R
FDB2017	YAMAHA ATV	A YFS 200 BLASTER	200	1988	2002	R
FDB2018	ALFER	B AR 250	250	1993		F
		B NO LIMITS 250	250	1995		F
		B VR 250	250	1994		F
		B VR 250 ENDURO	250	1995		F
		B VR 250 MOTOCROSS	250	1995		F
		B VR 250 SUPERMOTARD	250	1999		F
	APRILIA	B MX 125	125	2004		F
		B RX 125	125	1995		F
		B SX 125	125	2008		F
		B SRV 850 ABS ATC	850	2013		F
		B RST FUTURA 1000	1000	2001		R
	ATK (USA)	B all models 1996-01		1996	2001	F
	BENELLI	B BX 449 / Enduro	450	2008		F
	BETA	B RR 450 ENDURO	450	2005	2007	F
	BMW	B G450 X	450	2008		F
	CAGIVA	B ELEFANT 750	750	1994		R
	CCM	B 604 E 600 SPORT	600	1999		F
		B 604 E 600 SUPERMOTO	600	1999		F
		B C 25 600	600	1996		F
		B 604 RS ROADSTER	604	2000		F
	DERBI	B GP800	800	2010	2010	F
		B GP800	800	2011		F
	DUCATI	B MULTISTRADA 620 (twin disc)	620	2005	2006	F
		B MULTISTRADA DARK 620	620	2003	2005	F
		B MONSTER 695	695	2006	2008	F
		B MONSTER S2R 800	800	2007		F
	GASGAS	B ENDURCROSS 80	80	1994		F
		B CROSS 125	125	1994		F
		B EC / MC 125	125	1996	1999	F
		B ENDURCROSS 125	125	1994		F
		B TT 125	125	1995		F
		B TT 125 ENDURCROSS	125	1993		F
		B CROSS 250	250	1995		F
		B EC / MC 250	250	1996	1999	F
		B ENDURCROSS 250	250	1995		F
		B TT 250	250	1995		F
		B EC / MC 300	300	1996	1999	F
	GASGAS ATV	A WILD HP 50	50	2002	2005	F/R
		A HP 125	125	2007	2008	F/R
		A HP 200	200	2008		F/R
		A WILD HP 240	240	2002	2005	F/R
		A WILD HP 250	250	2008		F/R
		A HP 300 RV	300	2006		F/R
		A WILD HP 300	300	2002	2005	F/R
		A WILD HP 450	450	2002	2008	F/R
		A WILD HP 515	515	2009		F/R
	GILERA	B NEXUS 500	500	2004		F
		B GP800	800	2008		F
	HUSABERG	B FC 501	50	1998		F
		B FE 501 S - E	50	1998		F
		B FE 350 / 450 / 550 / 650 / E	350	1995		F
		B FC 400	400	1999		F
		B FE 400 S - E	400	1998		F
		B FE 450	450	2003	2006	F
		B 500 all models	500	1993	1995	F
		B 500 all models	500	1996		F
		B FC 350 / 450 / 550	550	1995		F



CC FROM TO FRONT / REAR

Code	Brand	Model	CC	FROM	TO	FRONT / REAR
		B FE 550 E Strada	550	2008		F
		B FE 570	570	2009		F
		B FC 600 SUPERMOTARD	600	1998		F
		B FE 600 S - E - R	600	1998		F
		B FE 650 E	650	2006	2008	F
	HUSQVARNA	B 125 ALL MODELS 1994-1995	125	1994	1995	F
		B CR 125	125	1996	2004	F
		B CR 125	125	2005		F
		B ENDURO WR 125	125	2010		F
		B SM 125 S	125	2002	2011	F
		B SM 125 S (4T)	125	2011		F
		B SM 125 S SUPERMOTARD	125	1998	1999	F
		B TE 125	125	2007	2010	F
		B TE 125	125	2011		F
		B WR 125	125	1998	2005	F
		B WR 125 / WRE 125	125	2006		F
		B WRE 125 / DUAL	125	1994		F
		B 250 ALL MODELS 1994-1995	250	1994	1995	F
		B CR 250	250	1996		F
		B ENDURO WR 250/300	250	2010		F
		B SMS 250	250	2011		F
		B TC / TE 250	250	2002	2005	F
		B TC / TE 250	250	2006		F
		B TC 250 R	250	2013		F
		B TE 250 R	250	2012		F
		B WR 250	250	1998		F
		B WR 300	300	2009		F
		B TE 310	310	2009		F
		B TE 310 R	310	2012		F
		B TE 350	350	1996		F
		B WR 360 ENDURO	360	1998	1999	F
		B TE 400 E DUAL - ENDURO	400	1998		F
		B TE 410 E	410	2000		F
		B TC / TE 449	449	2011		F
		B ENDURO TE 450/510	450	2010		F
		B TC / TE 450	450	2003	2006	F
		B TC / TE 450	450	2007	2010	F
		B TC / TE 510	510	2004	2005	F
		B TC / TE 510	510	2006		F
		B TC 511	511	2011		F
		B TE 570	570	2004		F
		B LT 600 DUAL	600	1998		R
		B TE 600	600	1996		F
		B TE 600 E DUAL - ENDURO	600	1998		F
		B TC 610	610	1996		F
		B TE 610 E	610	1995		F
		B TE 630	630	2010		F
	KTM	B 125 all models	125	1992	1993	F/R
		B EXC 125	125	1998	2003	F
		B EXC 125	125	2004		F
		B EXE 125	125	2000	2003	F
		B LC2 125	125	1998		F
		B SX 125	125	1996	2002	F
		B SX 125	125	2003		F
		B SX 125 / SX-F 125	125	2004		F
		B EGS 200	200	1998		F
		B EXC 200	200	1998		F
		B SX 200	200	2003		F
		B 250 all models	250	1992	1993	F/R
		B 250 all models	250	1994	1995	F
		B EXC 250	250	1998	2006	F
		B EXC 250 /F	250	2007		F
		B MX 250	250	2003		F
		B Superenduro 250 - S	250	2008		F/R
		B SX 250	250	1996	2002	F
		B SX 250 / F	250	2003		F
		B 300 all models	300	1994	1995	F
		B EXC 300	300	1998	2006	F
		B EXC 300 /E	300	2007		F
		B MX 300	300	2004		F
		B 350 EXC-F	350	2012		F
		B 350 EXC-F Six Days	350	2012		F
		B 350 SX-F	350	2011		F
		B 350 XC-F	350	2011		F
		B 350 XCF W	350	2011		F
		B GS 350 4 STROKE	350	1993		F
		B SX 380	380	1998		F
		B ECX 400	400	2006		F



CC FROM TO FRONT / REAR

...FDB2018

		CC	FROM	TO	FRONT / REAR
	B	LC4 400 E	400	1998	F
	B	SX 400	400	2000	F
	B	SXC 400	400	1998	F
	B	EXC 450 RACING	450	2004	F
	B	MX 450	450	2003	F
	B	SX 450 / F	450	2003	F
	B	500 all models	500	1993	F/R
	B	500 all models	500	1994	F
	B	500 EXC	500	2012	F
	B	500 XC-W	500	2012	F
	B	EXC 500	500	1998	F
	B	SX / MX 525	525	2003	F
	B	SXC 540	540	1998	F
	B	MX 600	600	1992	F
	B	SC 600	600	1998	F
	B	ADVENTURE 620 / 625 / 640 R	620	1998	F
	B	LC4 620 COMPETITION	620	1998	F
	B	DUKE 2 640	640	1998	F
	B	LC4 640 E	640	1998	F
	B	LC4 640 SUPERMOTO	640	1998	F
	B	SXC 650	650	2004	F
	B	950 R SUPERENDURO	950	2006	R
	B	ADVENTURE 950	950	2003	R
	B	SUPERMOTO 950	950	2005	R
	B	ADVENTURE 990 / 990 R	990	2008	R
MAICO	B	250 CROSS	250	1998	F
	B	500 CROSS	500	1998	F
MBK	B	DOODO 125	125	2001	F
	B	SKYLINER 01 - 125	125	1998	F
	B	SKYLINER 125 / S.E.	125	2001	F
	B	THUNDER 125	125	2001	F
	B	DOODO 150	150	2001	F
	B	SKYLINER 150	150	2000	F
	B	THUNDER 150	150	2001	F
	B	SKYLINER 180	180	2004	F
	B	KILIBRE 300	300	2003	F/R
MOTO GUZZI	B	BREVA V 850	850	2007	R
	B	GRISO 850	850	2007	R
	B	CALIFORNIA Classic / Vintage	1000	2007	R
	B	BREVA V 1100 (Std/ABS Models)	1100	2005	R
	B	GRISO 1100	1100	2005	R
	B	QUOTA 1100 ES	1100	1999	R
	B	BREVA 1200	1200	2008	R
	B	BREVA 1200 SPORT	1200	2008	R
	B	GRAN PASSO 1200 / H83	1200	2010	R
	B	GRANFERRO 1200	1200	2010	R
	B	GRANFERRO 1200	1200	2010	R
	B	GRISO SE 1200 8V	1200	2007	R
	B	NORGE 1200	1200	2006	R
	B	NORGE 1200 GT 8V ABS	1200	2010	R
	B	SCRAMBLER 1200	1200	2010	R
	B	STELVIO 1200 / 1200 NTX ABS	1200	2008	R
	B	V12 LM	1200	2010	R
MOTO MORINI	B	Granspasso 1200 / H83	1200	2008	R
	B	Scrambler 1200	1200	2008	R
PIAGGIO	B	X9 500	500	2003	F
RIEJU	B	MARATHON 250	250	2010	F
	B	MARATHON 450	450	2010	F
SHERCO	B	Enduro 2.5i (4T) Inc. SE Models	250	2008	F
	B	SM 2.5i Supermotard (4T)	250	2008	F
	B	SX 2.5i F Moto Cross	250	2010	F
	B	Enduro SE 3.0i (4T)	300	2010	F
	B	Enduro 4.5i (4T) Inc SE Models	450	2004	F
	B	SM 4.5i F (Supermotard)	450	2004	F
	B	Enduro 5.1iF Inc SE Models	510	2007	F
	B	SM 5.1i F Supermotard	510	2007	F
SUZUKI	B	UH 125 BURGMAN	125	2002	F
TM	B	80/85 Cross	1996	2001	F
	B	80/85/100 (Big wheel)	2002	2004	F
	B	80/85/100 Junior	2005	2007	F
	B	80/85/100 Junior Cross (Small wheel)	2002	2004	F
	B	80 Enduro	80	1996	F
	B	MX 85 (Big Wheel)	85	2002	F
	B	MX 85 (Big Wheel)	85	2005	F
	B	MX 85 JR (Small Wheel)	85	2002	F
	B	MX 85 JR (Small Wheel)	85	2005	F
	B	125 Cross	125	1995	F
	B	125 Enduro	125	1995	F



CC FROM TO FRONT / REAR

		CC	FROM	TO	FRONT / REAR
	B	Enduro EN 125 (2T)	125	2001	F
	B	Enduro EN 125 (2T)	125	2005	F
	B	Enduro EN 125 (2T) - USA VERSION	125	2005	F
	B	MX 125 (2T)	125	2001	F
	B	EN 144 (2T)	144	2008	F
	B	MX 144 (2T)	144	2008	F
	B	250 Cross	250	1995	F
	B	250 Enduro	250	1995	F
	B	Enduro EN 250 (2T)	250	2001	F
	B	Enduro EN 250 (2T)	250	2005	F
	B	Enduro EN 250 Fi	250	2010	F
	B	MX 250 (2T)	250	2001	F
	B	MX 250 (2T)	250	2005	F
	B	MX 250 (4T) Cross	250	2002	F
	B	MX 250 (4T) Cross	250	2005	F
	B	MX 250 Fi (4T)	250	2010	F
	B	300 Cross	300	1995	F
	B	300 Enduro (2T)	300	1995	F
	B	Enduro EN 300 (2T)	300	2001	F
	B	Enduro EN 300 (2T)	300	2005	F
	B	MX 300 (2T)	300	2001	F
	B	MX 300 (2T)	300	2005	F
	B	400 (4T) MX Cross	400	2002	F
	B	400 Cross (4T)	400	1995	F
	B	EN 450 F (4T)	450	2004	F
	B	EN 450 F (4T)	450	2005	F
	B	MX 450 F (4T)	450	2004	F
	B	MX 450 F (4T)	450	2005	F
	B	MX 450 F - USA version	450	2005	F
	B	530 Cross (4T)	530	1998	F
	B	EN 530 F (4T)	530	2004	F
	B	EN 530 F (4T)	530	2005	F
	B	MX 530 F	530	2004	F
	B	MX 530 F	530	2005	F
	B	MAXTER 125	125	2001	F
	B	XQ 125 N MAXSTER	125	2001	F
	B	YP 125 MAJESTY R	125	1998	F
	B	YP 125 MAJESTY R	125	2001	F
	B	YZF-R 125	125	2008	F
	B	YP 150 MAJESTY	150	2001	F
	B	VERSITY 300	300	2004	F/R
	B	TT 600	600	1993	F
	B	TT 600 R	600	1998	F
	B	TT 600 R (SPORTKIT)	600	1994	F
	B	TT 600 RE	600	2004	F
	B	TT-R 600 R	600	2000	F
	B	XT 660 Z TENERE	660	2008	F
FDB2036	B	all models		1998	F
	B	BUCELL		2002	F
	B	HONDA CB 1300 SF	1300	1998	F
	B	KAWASAKI ZX-7 750 RR NINJA N1	750	1996	F
	B	ZRX 1100	1100	1996	F
	B	F4 750 Brutale	750	1999	F
	B	MV AGUSTA BRUTALE 910 / Hydrogen	910	2007	F
	B	F4 1000	1000	2003	F
FDB2037	B	PIAGGIO SFERA 50 RST	50	1995	F
	B	SFERA 125	125	1995	F
FDB2039	B	BMW R 850 C	850	1999	R
	B	R 850 GS	850	1999	R
	B	R 850 R	850	2001	R
	B	R 850 R ROADSTER	850	1995	R
	B	R 850 RT	850	2002	R
	B	R 1100 GS (ABS)	1100	1994	R
	B	R 1100 R ROADSTER	1100	1995	R
	B	R 1100 RS (ABS)	1100	1994	R
	B	R 1100 RT (ABS)	1100	1995	R
	B	R 1100 S (no ABS)	1100	2001	R
	B	R 1100 S ABS	1100	2001	R
	B	R 1150 GS	1150	1998	R
	B	R 1150 GS	1150	2001	R
	B	R 1150 GS ADVENTURE	1150	2003	R
	B	R 1150 R / ROCKSTER	1150	2001	R
	B	R 1150 R ROADSTER	1150	2001	R
	B	R 1150 RS / RT	1150	2002	R
	B	R 1150 RT	1150	2001	R
	B	HP2 Enduro 1200	1200	2007	R
	B	HP2 Megamoto 1200	1200	2008	R
	B	HP2 Sport 1200	1200	2008	R
	B	HP2 Sport 1200	1200	2008	R

B = Bike
A = ATV
S = Snowmobile

FERODO
MOTORCYCLE PADS
Updated on 11th Oct 2013

B = Bike
A = ATV
S = Snowmobile

3029



CC FROM TO FRONT / REAR

...FDB2039

		CC	FROM	TO	FRONT / REAR	
KTM	B	K 1200 GT	1200	2007	R	
	B	K 1200 RT	1200	2008	R	
	B	K 1200 S / R	1200	2004	R	
	B	R 1200 C	1200	1997	2000 R	
	B	R 1200 C CLASSIC	1200	2003	R	
	B	R 1200 C MONTAUK	1200	2004	R	
	B	R 1200 GS	1200	2013	R	
	B	R 1200 GS /Adventure	1200	2004	R	
	B	R 1200 R	1200	2007	R	
	B	R 1200 S / ST / RT	1200	2007	R	
	B	K 1300 GT	1300	2009	R	
	B	K 1300 R	1300	2009	R	
	B	K 1300 S	1300	2009	R	
	B	990 SMR	990	2010	R	
	B	990 SMR	990	2010	R	
	B	990 SMT	990	2010	R	
	B	ADVENTURE 1190	1190	2013	R	
	B	ADVENTURE 1190 R	1190	2013	R	
	MOTO GUZZI	B	CALIFORNIA (all models)	1000	2001	2006 R
	VICTORY	B	V92C	1500	1998	R
	FDB2040	INDIAN	B	CHIEF / SPIRIT / SCOUT All Models	2003	F/R
	FDB2042	APRILIA	B	RS 250	250	1998 F
		B	PEGASO 650 STRADA	650	2004	F
	B	RST FUTURA 1000	1000	2001	F	
	B	RSV 1000 MILLE	1000	1997	2000 F	
	B	RSV 1000 MILLE R / SP	1000	2000	F	
	B	RSV 1000 TUONO	1000	2004	F	
	B	SL 1000 FALCO	1000	2000	F	
BENELLI	B	666 125	125	1998	F	
	B	756 DUE	756	2010	F	
	B	TORNADO NAKED TRE 899 / S	899	2007	F	
	B	TRE 899 K	899	2007	F	
	B	900 TORNADO	900	2000	F	
	B	TNT 1130	1130	2004	F	
	B	TRE 1130 K / Amazonas	1130	2006	F	
B	TREK 1130 / Amazonas	1130	2010	F		
BIMOTA	B	SB 8 1000 R	1000	1998	F	
BMW	B	G 650 X Moto	650	2008	F	
	B	F800 GT	800	2013	F	
	B	F800 S / ST / R	800	2007	F	
CAGIVA	B	RAPTOR 650 / 650 i.e.	650	2001	F	
	B	V RAPTOR 650	650	2001	F	
	B	RAPTOR 1000	1000	2000	F	
	B	RAPTOR V 1000	1000	2001	F	
	B	RAPTOR XTRA 1000	1000	2003	F	
DUCATI	B	400 MONSTER (JAPAN)	400	2000	F	
	B	M 600 MONSTER	600	2000	F	
	B	M 600 MONSTER	600	2001	2002 F	
	B	M 620 MONSTER	620	2002	2003 F	
	B	M 620 MONSTER DARK (single/twin disc)	620	2003	F	
	B	MULTISTRADA 620 DARK (single disc)	620	2005	2006 F	
	B	SPORT 620	620	2003	F	
	B	MONSTER 696 +	696	2008	F	
	B	748 BIPOSTO	748	1998	F	
	B	748 RACING CLIENTI	748	1998	F	
	B	748 SPS	748	1998	F	
	B	750 SPORT	750	2001	2002 F	
	B	750 SUPERSPORT	750	1998	2002 F	
	B	M 750 MONSTER	750	2000	F	
	B	M 750 MONSTER	750	2001	2002 F	
	B	HYPERMOTARD 796	796	2010	F	
	B	MONSTER 796 / ABS	796	2011	F	
	B	800 SUPERSPORT	800	2003	F	
	B	MONSTER 800	800	2003	2006 F	
	B	848	848	2008	F	
	B	FE 900 SUPERSPORT	900	1998	F	
	B	M 900 MONSTER	900	2001	F	
	B	M 900 MONSTER I.E.	900	2000	F	
	B	916 ST2	916	2001	2002 F	
	B	916 STRADA	916	1998	F	
	B	916 SUPERSPORT 4	916	1998	F	
	B	M 916 MONSTER S4	916	2001	2002 F	
	B	944 ST2	944	1997	2002 F	
	B	944 ST4	944	1999	F	
	B	944 SUPERSPORT 2	944	1998	2002 F	
	B	ST3 992	992	2004	F	
	B	996 BIPOSTO	996	1999	F	
	B	996 SPS / S	996	1998	F	



CC FROM TO FRONT / REAR

		CC	FROM	TO	FRONT / REAR	
HUSQVARNA	B	ST4 / ST4 ABS 996	996	2001	F	
	B	996 BIPOSTO	996	2002	F	
	B	998 S	998	2002	F	
	B	MONSTER 1000	1000	2003	2006 F	
	B	MONSTER S2R 1000	1000	2007	F	
	B	MONSTER S2R 1000	1000	2008	F	
	B	MONSTER S4R /S4RS 1000	1000	2008	F	
	B	MULTISTRADA 1000 / 1000 DS / 1000S DS	1000	2003	2006 F	
	B	SUPERSPORT 1000 DS	1000	2003	F	
	B	HYPERMOTARD 1100	1100	2007	F	
	B	HYPERMOTARD 1100 EVO	1100	2010	F	
	B	MONSTER 1100 / 1100 S	1100	2009	F	
	B	MULTISTRADA 1100 / 1100 S / S Touring / S Sport	1100	2007	F	
	B	MULTISTRADA 1200S(Tour./ABS L.Ed./Sport/Pikes P.)	1200	2010	F	
	B	LT 600 DUAL	600	1998	F	
	B	SM 600 SUPERMOTARD	600	1998	F	
	B	LT 610	610	2000	F	
	B	SM 610 / S	610	2000	2006 F	
	B	TE 610 E SUPERMOTARD	610	2000	F	
	KTM	B	625 SMC LC4	625	2005	F
		B	LC4 640 DUKE II	640	2000	F
	MOTO GUZZI	B	660 SMC	660	2004	F
		B	LC4 660 SUPERMOTO	660	2003	F
B		690 DUKE	690	2012	F	
B		690 SM	690	2007	F	
B		ADVENTURE 1190	1190	2013	F	
B		ADVENTURE 1190 R	1190	2013	F	
B		BREVA 750 IE	750	2003	F	
B		SP 750 NEVADA CLUB / CLASSIC I.E./ Aquila Nera	750	2002	F	
B		V7 Classic / Clubman Race 750	750	2008	F	
B		BREVA V 850	850	2007	F	
B		GRISO 850	850	2007	F	
B		CALIFORNIA (all models)	1000	2001	2006 F	
B		CALIFORNIA Classic / Vintage	1000	2007	F	
B		LE MANS V 11	1064	2001	F	
B		BREVA V 1100	1100	2004	F	
B		BREVA V 1100 (Std/ABS Models)	1100	2005	2007 F	
B		GRISO 1100	1100	2005	2008 F	
B		1200 GT	1200	2010	F	
B		BREVA 1200	1200	2008	2009 F	
B		BREVA 1200 SPORT	1200	2008	2013 F	
B		CORSARO Avio / Veloce	1200	2010	F	
B		GRISO SE 1200 8V	1200	2007	2013 F	
B		NORGE 1200	1200	2006	2008 F	
B	NORGE 1200 GT 8V ABS	1200	2010	F		
B	STELVIO 1200 / 1200 NTX ABS	1200	2008	F		
MOTO MORINI	B	9	998	2006	F	
	B	1200 SPORT	1200	2008	F	
	B	Corsaro Veloce / Corsaro 1200 / Corsaro Avio	1200	2005	F	
MV AGUSTA	B	MM3	1200	2007	F	
	B	BRUTALE 989 R	989	2008	F	
	B	BRUTALE 990 R	990	2010	F	
SUZUKI	B	GSX 1200	1200	1999	2000 F	
	TRIUMPH	B	THRUXTON 900 (Front Brembo caliper)	900	2008	F
		B	RETRO 750	750	2005	F
VICTORY		B	V92C	1500	1998	F
	YAMAHA	B	XT 660 X MOTARD	660	2005	F
		B	XJR 1200	1200	1995	1998 F
FDB2048	KAWASAKI	B	VN 400 CLASSIC	400	1999	F
	B	ER-5 500 (ER)	500	2001	F	
	B	ER-6 650 F / N (left)	650	2005	F	
	B	KLR 650	650	1995	F	
	B	VERSYS 650 (left)	650	2007	2008 F	
	B	Z 750 / Z 750 S (left)	750	2004	2006 F	
	B	ZR 750 ZEPHYR	750	1996	F	
	B	ZR-7 750 (left)	750	1999	F	
	B	ZR-7S 750 (left)	750	2001	F	
	B	VN 800 CLASSIC	800	1996	F	
	B	VN 800 DRIFTER	800	1999	2003 F	
	B	VN 900 CLASSIC / CUSTOM /LIGHT TOURER	900	2006	F	
	B	GPZ 1100 (left)	1100	1995	1997 F	
	B	ZR 1100 ZEPHIR	1100	1997	2000 F	
	B	ZR 1100 ZEPHYR (left)	1100	1996	1997 F	
	B	VN 1500 CLASSIC FI	1500	1999	F	
	B	VN 1500 CLASSIC TOURER (left)	1500	1999	F	
	B	VN 1500 D1/D2 CLASSIC	1500	1996	1998 F	
	B	VN 1500 DRIFTER	1500	1999	2003 F	
	B	VN 1600 CLASSIC (left)	1600	2003	F	

3030

B = Bike
A = ATV
S = Snowmobile

FERODO

MOTORCYCLE PADS

Updated on 11th Oct 2013

B = Bike
A = ATV
S = Snowmobile



CC FROM TO FRONT / REAR

Code	Brand	Model	CC	FROM	TO	FRONT / REAR	
...FDB2048	SUZUKI	VN 1600 CLASSIC TOURER (left)	1600	2005		F	
		VN 1700 Classic Tourer / Classic	1700	2009	2009	F	
		GSF 600 BANDIT (left)	600	2000		F	
		GSF 600 BANDIT - KATANA (left)	600	1998		F	
		BANDIT 650 S (left)	650	2005	2007	F	
		DL 650 V-STROM (left)	650	2004		F	
		GLADIUS 650	650	2008		F	
		SV 650 - S (left)	650	1999	2002	F	
		SV 650 (left)	650	2003		F	
		V-STROM 650 (left) / ABS / DL 650 T	650	2007		F	
		V-STROM 650 A Traveller (Left)	650	2011		F	
		GSR 750 (Left)	750	2011		F	
		GSX 750 FW/FX/FY/FK1/FK2 (left)	750	1998	2006	F	
		GSX 750 W/X/Y/K1 (left)	750	1998		F	
		VX 800	800	1995		F	
		DL 1000 V-STROM (left)	1000	2004		F	
		V-STROM 1000 (left) / DL 1000 K7	1000	2007		F	
		INTRUDER C1500 (left)	1500	2007		F	
		VL 1500 K2 (left)	1500	2002	2003	F	
		FDB2049	KAWASAKI	VN 200	200	2007	
ER-6 650 F / N (right)	650			2005		F	
VERSYS 650 (right)	650			2007	2008	F	
W 650	650			1999		F	
Z 750 / Z 750 S (right)	750			2004	2006	F	
ZR-7 750 (left)	750			1999		R	
ZR-7 750 (right)	750			1999		F	
ZR-7S 750 (left)	750			2001		R	
ZR-7S 750 (right)	750			2001		F	
VN 800 DRIFTER	800			1999	2003	R	
W800 SE	800			2012		F	
VN 900 CLASSIC / CUSTOM /LIGHT TOURER	900			2006		R	
GPZ 1100 (right)	1100			1995	1997	F	
ZR 1100 ZEPHYR (right)	1100			1996	1997	F	
MEAN STREAK 1500	1500			2002	2003	R	
VN 1500 CLASSIC FI	1500			1999		R	
VN 1500 CLASSIC TOURER (right)	1500			1999		F	
VN 1500 DRIFTER	1500			1999	2003	R	
VN 1600 CLASSIC (left)	1600			2003		R	
VN 1600 CLASSIC (right)	1600			2003		F	
VN 1600 CLASSIC TOURER (left)	1600			2005		R	
VN 1600 CLASSIC TOURER (right)	1600			2005		F	
VN 1600 MEAN STREAK	1600			2004		R	
VN 1700 Classic Tourer / Classic	1700			2009	2009	F/R	
VN 1700 Classic Tourer / Custom	1700			2010		R	
VN 1700 Voyager / Voyager Custom	1700			2009		R	
VN 2000 VULCAN / CLASSIC	2000			2004		R	
SUZUKI	RV 125 K2/ K3 / K4 VAN VAN			125	2002		F
	VAN VAN			125	2010		F
	GS 500 E - K - FK			500	1996		F
	GSF 600 BANDIT (right)			600	2000		F
	GSF 600 BANDIT - KATANA (right)			600	1998		F
	BANDIT 650 S (right)			650	2005	2007	F
	DL 650 V-STROM (right)			650	2004		F
	GLADIUS 650			650	2008		F
	SV 650 - S (right)			650	1999	2002	F
	SV 650 (right)			650	2003		F
	V-STROM 650A Traveller (Right)			650	2011		F
	XF 650 FREEWIND			650	1997	2002	F
	GSR 750 (Right)			750	2011		F
	GSX 750 FW/FX/FY/FK1/FK2 (right)			750	1998	2006	F
	GSX 750 W/X/Y/K1 (right)			750	1998		F
	M/C 800 INTRUDER			800	2005		F
	VL 800 K1 INTRUDER VOLUSIA			800	2001		F
	VZ 800 INTRUDER C800 / M800			800	2005		F
	VZ 800 MARAUDER / K7			800	1997	2003	F
	DL 1000 V-STROM (right)			1000	2004		F
	V-STROM 1000 (right) / ABS / DL 1000 T			1000	2007		F
	V-STROM 1000 (right) / DL 1000 K7			1000	2007		F
	INTRUDER C1500 (right)			1500	2007		F
	INTRUDER C1500T			1500	2007		R
	M1500 INTRUDER			1500	2008		F/R
	VL 1500 K2 (right)			1500	2002	2003	F
	VZ 1600 MARAUDER			1600	2004		R
	VLR 1800 INTRUBER C1800 R/RT			1800	2008		R
	VZR 1800 M INTRUDER	1800	2006		R		
	FDB2050	BMW	R 80 800 R ROADSTER	800	1993	1994	F
			R 850 C	850	1999	2000	F
			R 850 GS	850	1999	2000	F



CC FROM TO FRONT / REAR

Code	Brand	Model	CC	FROM	TO	FRONT / REAR		
		R 850 RT	850	1998	2001	F		
		K 1 1000	1000	1989	1993	F		
		K 100 1000 RS 16 VALVES	1000	1990	1992	F		
		R 100 1000 R	1000	1991	1995	F		
		K 1100 LT (ABS)	1100	1992	1993	F		
		K 1100 RS (ABS)	1100	1994	1999	F		
		K 1100 RT (ABS)	1100	1994	1999	F		
		R 1100 GS (ABS)	1100	1994	1999	F		
		R 1100 R ROADSTER	1100	1995	2000	F		
		R 1100 RS (ABS)	1100	1994	1999	F		
		R 1100 RT (ABS)	1100	1995	2001	F		
		R 1150 GS	1150	1998	2001	F		
		R 1150 GS	1150	2001		F		
		K 1200 LT	1200	1999	2001	F		
		K 1200 RS	1200	1997	2001	F		
		K 1200 ST	1200	1999	2001	F		
		R 1200 C	1200	1997	2000	F		
		FDB2054	POLARIS ATV	A 250-300 2x4/4x4		1990	1995	R
				A BIG BOSS (All standard models)		1989	1999	R
				A L 350-400 2x4/4x4		1990	1995	R
A SCRAMBLER (All Models)				1995	1997	R		
A SPORTSMAN (All Models)				1993	1997	R		
A TRAIL BOSS (All Models)				1988	1999	R		
A TRAIL BLAZER 250	250			1990	1998	R		
A XPLOER 300	300			1996	2000	R		
A Xpress L (All models)	300			1996	2000	R		
A Sportsman 350 4x4	350			1993		R		
FDB2055	POLARIS ATV	A TRIAL BOSS 350 (All Models)	350	1991	1993	R		
		A Sport 400	400	1994	1998	R		
		A XPLOER 400	400	1995	1998	R		
		A MAGNUM 425 (All Models)	425	1995	1998	R		
		A XPLOER 500	500	1997	2000	R		
		A 250-300 2x4/4x4		1990	1995	F		
		A ATP 330		2004	2005	F/R		
		A ATP 500 H0		2004	2005	F/R		
		A BIG BOSS (All middle axle brake models)		1989	1999	F		
		A BIG BOSS (All standard models)		1989	1999	F		
A HAWKEYE 300 4x4	2007			F/R				
A L 350-400 2x4/4x4		1990	1995	F				
A MAGNUM (All models)		1999	2001	F				
A MAGNUM (All models)		2002	2006	F				
A Outlaw 450&525 (All models)		2008	2010	R				
A SCRAMBLER (All Models)		1995	1997	F				
A SCRAMBLER (All Models)		1998	2004	F				
A SPORTSMAN (All Models)		1993	1997	F				
A TRAIL BOSS (All Models)		1988	1999	F				
A TRAIL BOSS (All Models)		2000	2004	F				
A TRAIL BLAZER 250	250	1990	1998	F				
A TRAIL BLAZER 250	250	1999	2004	F				
A TRAIL BLAZER 250	250	2005	2006	F				
A XPLOER 250	250	2000		F				
A HAWKEYE 300 2x4	300	2006		F/R				
A Sportsman 300 4x4	300	2008	2010	F/R				
A XPLOER 300	300	1996	2000	F				
A Xpress L (All models)	300	1996	2000	F				
A XPEDITION 325	325	2000	2001	F				
A XPEDITION 325	325	2002		F				
A Trail Blazer 330	330	2008	2010	F				
A TRAIL BOSS 330	330	2005	2010	F				
A SPORTSMAN 335	335	1999	2000	F				
A Sportsman 350 4x4	350	1993		F				
A TRIAL BOSS 350 (All Models)	350	1991	1993	F				
A Sport 400	400	1994	1998	F				
A Sport 400	400	1999	2000	F				
A SPORTSMAN 400	400	2001	2002	F				
A SPORTSMAN 400	400	2003	2005	F				
A Sportsman 400 HO 4x4	400	2008	2010	F/R				
A XPLOER 400	400	1995	1998	F				
A XPLOER 400	400	1999	2002	F				
A MAGNUM 425 (All Models)	425	1995	1998	F				
A XPEDITION 425	425	2000		F				
A Sportsman 450	450	2006		F				
A DIESEL 455	455	1999	2001	F				
A Outlaw 500	500	2006	2007	F/R				
A PREDATOR 500	500	2003	2007	F/R				
A SCRAMBLER 500 (All models)	500	2005	2010	F				
A SPORTSMAN 500	500	1998	2002	F				
A SPORTSMAN 500 6x6	500	2000	2008	F				

B = Bike
A = ATV
S = Snowmobile

B = Bike
A = ATV
S = Snowmobile



CC FROM TO FRONT / REAR

Code	Brand	Model	CC	FROM	TO	FRONT / REAR		
...FDB2055	A	SPORTSMAN 500 HO/EFI/X2/EFI Quad H.O.	500	2003	2010	F		
		Sportsman 500 Touring H.O.	500	2008	2010	F/R		
		Sportsman 500 X2 EFI	500	2007	2009	F/R		
		XPLORER 500	500	1997	2000	F		
		SPORTSMAN 600	600	2003	2006	F		
		SPORTSMAN 700	700	2003	2007	F		
		Sportsman 700 X2	700	2008	2008	F/R		
		Ranger 800 RZR - side by side	800	2008	2012	R		
		Ranger 800 RZR S EFI - side by side	800	2009	2012	R		
		Sportsman 800 EFI 6x6 Big Boss	800	2009	2010	F/R		
		SPORTSMAN 800 EFI/HO	800	2005	2010	F		
		Sportsman 800 Touring/EFI	800	2008	2009	F/R		
		Sportsman 800 X2 EFI	800	2007	2009	F/R		
		FDB2056	PIAGGIO	B ZIP 50 RST	50	1996	1997	F
		FDB2057	CPI	B GTR 50	50	2003		R
B GTS 50 / 125 / 200	125			2002	2003	R		
B DNA 50	50			2001		R		
GILERA	B RUNNER 50 SP / SKP		50	1999	2005	R		
	B RUNNER 50 SP / SKP		50	2006		R		
	B STALKER 50		50	1997		R		
	B RUNNER 125 FX - SP		125	2000		R		
	B RUNNER 180 FXR - SP		180	1999		R		
	B FUOCO 500		500	2009		F		
PIAGGIO	B FLY 50 4T		50	2005	2008	F		
	B LIBERTY 50		50	1997	2003	F		
	B NGR 50 POWER DD / Silver Bullet		50	2005		R		
	B NRG 50 MC2 DD		50	1998		R		
	B NRG 50 MC3 / EXTREME DD		50	1999	2001	R		
	B NRG 50 MC3 DD		50	2001	2005	R		
	B NRG 50 Power Pure Jet		50	2004	2008	R		
	B VESPA 50 ET2		50	1997	1998	F		
	B VESPA 50 ET4		50	1999		F		
	B ZIP 50 Grimeca/Heng Tong A/C 4T		50	2000	2008	F		
	B ZIP 50 SP		50	2001	2006	F		
	B ZIP 50 RST		50	1998	1999	F		
	B ZIP 50 SP		50	1996	2000	F		
	B LIBERTY 125 4 T		125	1998	2002	F		
	B MP3 125 ie		125	2006		F		
	B MP3 Hybrid 125		125	2010		F		
	B SFERA 125 (4 stroke)		125	1996		F		
	B VESPA 125 ET4		125	1996		F		
	B VESPA S 125		125	2008		F		
	B ZIP 125		125	2000		F		
	B LIBERTY 150		150	2008		F		
	B LIBERTY 150 LE		150	2000	2002	F		
	B VESPA 150 ET4		150	1996		F		
	B VESPA S 150		150	2010		F		
	B SUPER HEXAGON 180 GTX		180	2000		R		
	B MP3 250		250	2007		F		
	B MP3 LT 300 ie		300	2010		F		
B MP3 400 ie	400		2007	2008	F			
B MP3 LT 400 ie	400		2009		F			
B MP3 500	500		2010		F			
B MP3 Sport 500	500		2010		F			
FDB2058	SUZUKI		B RF 900 RR	900	1994	1995	R	
FDB2060	APRILIA		B SCARABEO 500	500	2003		F	
			B NA 850 MANA ABS / GT	850	2008		R	
	HONDA		B SJ 50 BALI	50	1993	1999	F	
			B SJ 100 BALI - EX	100	1998	1999	F	
		B CA 125 REBEL	125	1998		F		
FDB2062	CPI	B OLIVER / TNT / STUNT 50	50	2006		F		
		B NITRO 50	50	1997		R		
	YAMAHA	B 50 AEROX LC	50	1997		R		
		B YQ 50 AEROX / AEROX R	50	1998		R		
		FDB2073	HONDA	B 125 PANTHEON	125	1998	1999	F
B 150 PANTHEON	150			1998	1999	F		
B FE 250 FORESIGHT	250			1997	1998	F		
B JAZZ 250	250			2001		F		
B DEAUVILLE TRAVEL	680			2007		R		
B CB 1100 HORNET	1100			1999	2000	R		
B CBR 1100 XX Superblackbird	1100			1996	1997	F		
B X 11 1100	1100			2000	2002	F		
FDB2074	APRILIA			B RS 50 / TUONO 50	50	2006	2008	F
				B ETV 1000 CAPONORD / RALLY RAID	1000	2001		R
				B RSV 1000 MILLE	1000	1997	2000	R
		B RSV 1000 MILLE	1000	2001		R		
		B RSV 1000 MILLE R	1000	2001	2003	R		
		B RSV 1000 MILLE R / FACTORY / TUONO RACING	1000	2004		R		



CC FROM TO FRONT / REAR

Brand	Model	CC	FROM	TO	FRONT / REAR	
BENELLI	B RSV 1000 MILLE R / SP	1000	2000		R	
	B RSV 1000 TUONO	1000	2004		R	
	B RSV4 Factory /APRC SE /R	1000	2008		R	
	B RSV4 Factory /APRC SE /R	1000	2008		R	
	B RSV4 Factory APRC ABS	1000	2013		R	
	B RSV4 R APRC ABS	1000	2013		R	
	B SL 1000 FALCO	1000	2000		R	
	B TUONO V4 R	1000	2011		R	
	B TUONO V4 R APRC	1000	2013		R	
	B 756 DUE	756	2010		R	
	B TORNADO NAKED TRE 899 / S	899	2007		R	
	B TRE 899 K	899	2007		R	
	B 900 TORNADO	900	2000		R	
	B TORNADO TRE 900 / RS / Naked Sport Evo	900	2002		R	
	BIMOTA	B TNT 1130	1130	2004		R
B TNT 1130 SPORT / CAFE RACER / YUMA		1130	2004		R	
B TNT R 160		1130	2010		R	
B TORNADO TRE 1130		1130	2007		R	
B TRE 1130 K / Amazonas		1130	2006		R	
B TREK 1130 / Amazonas		1130	2010		R	
B DB 5 MILLE 1000 /DB5S / DB5R		1000	2006		R	
B DB6 DELIRIO 1000 /DB6R		1000	2006		R	
B DB7 Oronero Millenovantotto		1098	2009		R	
B DB7 Oronero Millenovantotto		1098	2009		R	
BOMBARDIER ATV	B TEST 3D 1100	1100	2009		R	
	A TRAXTER 500 (4x4/XL/Autoshift)	500	1999	2001	F/R	
CAGIVA	A Traxter 650 (XT-4x4/Footshift)	650	2000		F/R	
	B RAPTOR 650 / 650 i.e.	650	2001		R	
	B V RAPTOR 650	650	2001		R	
	B RAPTOR 1000	1000	2000		R	
	B RAPTOR V 1000	1000	2001		R	
CPI	B RAPTOR X3 1000	1000	2003		R	
	B RAPTOR XTRA 1000	1000	2003		R	
	B GTR 50	50	2003		F	
	B X-LARGE 125 / 150 / 200	125	2002		F/R	
	DERBI	B GPR 50 NAKED	50	2004	2006	F
		B GPR 50 Race Replica	50	2008	2009	F
		B SENDA DRD Evo 50	50	2008		F
		B SENDA DRD PRO 50	50	2005	2007	F
		B SENDA DRD Pro 50 SM	50	2008		F
	DUCATI	B GPR 80 CUP	80	2004	2007	F
		B GPR 80 CUP Criterium Derbi Malossi	80	2008		F
		B MULHACEN CAFE' 125	125	2008		F
		B SENDA DRD 125	125	2010		F
		B MULHACEN CAFE' 659 Angel Nieto Lim. Ed.	659	2008		R
		B M 600 MONSTER	600	2001	2002	R
B M 620 MONSTER		620	2002	2003	R	
B MULTISTRADA 620 DARK (single disc)		620	2005	2006	R	
B SPORT 620		620	2003		R	
B MONSTER 695		695	2006	2008	R	
B MONSTER 696 +		696	2008		R	
B 748 / 748R / 748S		748	2001		R	
B 748 SPS		748	1998		R	
B 749 / 749R / 749S / 749 DARK		749	2003		R	
B 750 SPORT		750	2001	2002	R	
B	B 750 SUPERSPORT	750	1998	2002	R	
	B M 750 MONSTER	750	2001	2002	R	
	B HYPERMOTARD 796	796	2010		R	
	B MONSTER 796 / ABS	796	2011		R	
	B 800 SUPERSPORT	800	2003		R	
	B 848	848	2008		R	
	B Superbike 848 EVO (Racing Vers.) / Corse	848	2011		R	
	B Superbike 848 EVO (road version)	848	2011		R	
	B FE 900 SUPERSPORT	900	1998		R	
	B M 900 MONSTER	900	2001		R	
	B 916 ST2	916	2001	2002	R	
	B 916 STRADA	916	1998		R	
	B 916 SUPERSPORT 4	916	1998		R	
	B 944 ST2	944	1997	2002	R	
	B 944 ST4	944	1999		R	
B 944 SUPERSPORT 2	944	1998	2002	R		
B ST3 992	992	2004		R		
B	B 996 R TESTA STRETTA	996	2001		R	
	B 996 SPS / S	996	1998		R	
	B ST4 / ST4 ABS 996	996	2001		R	
	B 998 BIPOSTO	998	2002		R	
	B 999 R / S	999	2003		R	
	B Desmosedici RR (Lim. Ed.)	1000	2008		R	



CC FROM TO FRONT / REAR

CC	FROM	TO	FRONT / REAR
...FDB2074	B	Desmosedici RR (Lim. Ed.)	1000 2008 R
	B	GT 1000	1000 2006 2007 R
	B	HYPERMOTARD 1000	1000 2006 R
	B	MONSTER S2R 1000	1000 2008 R
	B	MONSTER S4R /S4RS 1000	1000 2008 R
	B	MULTISTRADA 1000 / 1000 DS / 1000S DS	1000 2003 2006 R
	B	PAUL SMART 1000 Limited Edition	1000 2007 R
	B	SPORT 1000	1000 2006 R
	B	SUPERSPORT 1000 DS	1000 2003 R
	B	1098 /1098 S / 1098 R Bayliss Lim. Ed.	1098 2007 R
	B	1098 /1098 S / 1098 R Bayliss Lim. Ed.	1098 2007 R
	B	STREETFIGHTER S	1099 2011 R
	B	STREETFIGHTER S	1099 2011 R
	B	HYPERMOTARD 1100	1100 2007 R
	B	HYPERMOTARD 1100 EVO	1100 2010 R
	B	HYPERMOTARD 1100 SP / EVO SP / Corse ed.	1100 2010 R
	B	HYPERMOTARD 1100 SP / EVO SP / Corse ed.	1100 2010 R
	B	HYPERMOTARD 1100S	1100 2007 R
	B	HYPERMOTARD 1100S	1100 2007 R
	B	MONSTER 1100 / 1100 S	1100 2009 R
	B	MULTISTRADA 1100 / 1100 S / S Touring / S Sport	1100 2007 R
	B	Streetfighter / S	1100 2010 R
	B	Streetfighter / S	1100 2010 R
	B	SUPERBIKE 1198 / S / S Corse / R / SP	1198 2009 R
	B	SUPERBIKE 1198 / S / S Corse / R / SP	1198 2009 R
	B	1199 Panigale S	1199 2012 R
	B	1199 Panigale S	1199 2012 R
	B	MULTISTRADA 1200S(Tour./ABS L.Ed./Sport/Pikes P.)	1200 2010 R
GILERA	B	NEXUS 500	500 2004 R
KTM	B	1190 RC8	1190 2008 R
	B	1190 RC8	1190 2008 R
LAVERDA	B	TTS 800	800 1999 R
	B	SFC 1000	1000 2003 R
MALAGUTI	B	DRAKON 50 NKD	50 2005 F
	B	SPIDER MAX RS 500/ GT	500 2004 R
MBK	B	SKYLINER 125 / S.E.	125 2001 R
	B	THUNDER 125	125 2001 2002 R
	B	THUNDER 150	150 2001 2002 R
	B	SKYLINER 180	180 2004 R
MOTO GUZZI	B	BREVA 750 IE	750 2003 R
	B	SP 750 NEVADA CLUB / CLASSIC I.E./ Aquila Nera	750 2002 R
	B	V7 Classic / Clubman Race 750	750 2008 R
	B	BREVA V 1100	1100 2004 R
	B	1200 GT	1200 2010 R
	B	CORSARO Avio / Veloce	1200 2010 R
MOTO MORINI	B	MGS - 01 Corsa	1225 2007 R
	B	9	998 2006 R
	B	1200 SPORT	1200 2008 R
	B	Corsaro Veloce / Corsaro 1200 / Corsaro Avio	1200 2005 R
	B	MM3	1200 2007 R
PEUGEOT	B	SATELIS 500	500 2006 F/R
PIAGGIO	B	X9 125	125 2001 2002 F/R
	B	X9 125 Evolution (right)	125 2004 R
	B	X9 180 AMALFI	180 2001 2003 F/R
	B	X8 200	200 2004 R
	B	X9 200	200 2002 2003 F/R
	B	X9 250 AMALFI	250 2000 2003 F/R
	B	X9 250 Evolution (right)	250 2004 2005 R
	B	BEVERLY Tourer 400i	400 2008 F/R
	B	BEVERLY CRUISER 500 ie	500 2008 F/R
	B	X9 500	500 2001 2002 F/R
	B	X9 500	500 2003 R
RIEJU	B	MRT 50 PRO / SUPERMOTARD / Competizione	50 2008 F
	B	TANGO 50 / TANGOO! 50	50 2007 F
	B	MARATHON 125 PRO / SUPERMOTARD	125 2008 F
	B	RS3 125	125 2009 F
	B	SMX 125 / Street	125 2007 F
	B	TANGO 125 / PRO	125 2006 2010 F
	B	TANGO 250	250 2008 2011 F
SUZUKI	B	UH 125 BURGMAN	125 2002 2006 R
YAMAHA	B	MAXTER 125	125 2001 2003 R
	B	X-CITY 125	125 2008 R
	B	X-MAX 125	125 2008 R
	B	XQ 125 N MAXSTER	125 2001 2003 R
	B	YP 125 MAJESTY R	125 2001 R
	B	MAXTER 150	150 2001 2003 R
	B	YP 150 MAJESTY	150 2001 2003 R
FDB2075	HONDA	B	125 PANTHEON 125 2000 F



CC FROM TO FRONT / REAR

CC	FROM	TO	FRONT / REAR
	B	FES 125 PANTHEON	125 2007 F
	B	150 PANTHEON	150 2000 2002 F
	B	150 PANTHEON	150 2003 F
	B	FE 250 FORESIGHT	250 1999 F
	B	FORZA 250	250 2000 2004 F
	B	SILVER WING 600	600 2001 F
	B	XL 1000 V VARADERO	1000 1999 2003 R
	B	XL 1000 VARADERO A4 (ABS)	1000 2004 R
	B	CBR 1100 XX Superblackbird	1100 1996 1997 R
	B	ST 1100 PAN EUROPEAN ABS/TCS (Dual brake)	1100 1996 2000 R
	B	X 11 1100	1100 2000 2002 R
	B	SV 250	250 2001 F
	PEUGEOT		
FDB2079	HONDA	B	CB 400 SUPER FOUR (SF) 400 1999 2003 F
		B	CBR 600 F 600 2007 F
		B	CBR 600 F1 / F2 / FS1 / FS2 Sport 600 2001 2002 F
		B	CBR 600 F4 / F4i Sport 600 1999 2004 F
		B	CBR 600 FX / FY 600 1999 2000 F
		B	CBR 600 RR 600 2003 2004 F
		B	CBR 900 RR-FIREBLADE 900 1998 1999 F
		B	CBR 900 RR-FIREBLADE 900 2000 2003 F
		B	CBR 929 RR-FIREBLADE 929 2000 2001 F
		B	VTR 1000 SP-1 (SP45) 1000 2000 2001 F
		B	VTR 1000 SP-2 (R51) 1000 2002 F
		B	CB 1300 1300 2001 F
	KAWASAKI	B	ZX 6R 636 NINJA 636 2013 F
FDB2080	KAWASAKI	B	KX 80 R7-T7-W1/2-Y1/2 80 1997 2000 F
		B	KX 85 / 85-2 A1 / B1 85 2001 F
		B	KX 100 B7 / C1 / C2 / C3 100 1997 2000 F
		B	KL 250 SUPER SHERPA 250 2000 F
		B	KLX 250 H1 SUPER SHERPA 250 1998 2005 F
	KAWASAKI ATV	A	KVF 650 BRUTE FORCE (right) 650 2005 2007 F
		A	KVF 650 PRAIRIE (right) 650 2002 2003 F
		A	KFX 700 (right) 700 2004 2009 F
	SUZUKI	B	RM 85 L 85 2005 F
FDB2081	APRILIA	B	LEONARDO 125 125 1997 1998 F
		B	LEONARDO 150 150 1997 1998 F
	BENELLI	B	125 JARNO 125 1989 R
	BETA	B	EIKON 125 125 1999 F
		B	EIKON 150 150 1999 F
	MALAGUTI	B	MEX 50 ENDURO 50 1985 F
		B	MDX 80 ENDURO 80 1984 F
		B	CIAK 125 125 2001 F
		B	CIAK 150 150 2001 F
FDB2083	ITALJET	B	JUPITER 125 125 2001 R
		B	JUPITER 250 250 2001 R
	LINHAI	B	Monarch 125 T 125 2006 R
		B	Monarch 150 T 150 2006 R
		B	Main Street 300 (Scooter) 300 2007 R
	MBK	B	SKYLINER 250 250 2000 2002 R
	YAMAHA	B	105 CRIFTON 105 1996 1998 F
		B	TW 125 125 1998 2002 F
		B	TW 125 125 2003 F
		B	BRONCO 225 225 1997 F
		B	CELLOW 225 225 1997 F
		B	X-CITY 250 250 2008 R
		B	X-MAX 250 250 2007 R
		B	XT 250 X 250 2008 F
		B	YP 250 A MAJESTY 250 2000 R
		B	YP 250 MAJESTY DX - ABS 250 1998 1999 R
		B	YZF 600 R6 600 1999 2002 R
		B	YZF 1000 R1 1000 2002 2003 R
FDB2084	YAMAHA	B	YZF 750 R7 (OW02) 750 1999 2001 R
		B	YZF 1000 R1 1000 1998 2001 R
FDB2085	SUZUKI	B	AN 250 BURGMAN W/X/Y 250 1996 2002 F
		B	SKY WAVE 250 (type II) 250 1998 F
		B	400 BURGMAN 400 1998 F
		B	400 BURGMAN BUSINESS 400 2001 F
	SYM	B	GTS 250 250 2007 F
		B	GTS 300 300 2009 F
		B	JOYMAX 300 EVO / EVO I 300 2009 F
		B	JOYRIDE 300 EVO I 300 2010 F
		B	GT 500 500 2004 F
	YAMAHA	B	FJR 1300/FJR 1300 A/FJR 1300 AS 1300 2006 F
FDB2086	SUZUKI	B	AN 250 BURGMAN W/X/Y 250 1996 2002 R
		B	SKY WAVE 250 (type II) 250 1998 R
		B	400 BURGMAN 400 1998 R
FDB2087	BENELLI	B	MACIS 125/150 125 2010 F/R
	HONDA	B	NS-1 75 75 1992 F

B = Bike
A = ATV
S = Snowmobile

FERODO
MOTORCYCLE PADS
Updated on 11th Oct 2013

B = Bike
A = ATV
S = Snowmobile

3033



CC FROM TO FRONT / REAR

...FDB2087

CC	FROM	TO	FRONT / REAR		
B	TA 200	200	2003	2004	F/R
B	BN 125 A3/A4 ELIMINATOR	125	2000		F
B	NINJA 250R	250	2008		F/R
B	NINJA 300	300	2013		F/R
B	ACTIVE 50	50	2005	2006	F
B	BET & WIN 50	50	2002	2006	F
B	DINK / GRAND DINK 50 / New Dink	50	1997		F
B	DINK 50	50	2010		F
B	JETIX 50	50	2008		R
B	LIKE 50 2T/4T	50	2008		F
B	SENTO 50	50	2008		F
B	SPACER 50	50	1999		F
B	SUPER 9 50 LC / SUPER 9 S	50	2000		F
B	TOP BOY 50	50	1997	2000	F
B	TOP BOY 100	100	1997		F
B	LIBERO 111 4T	111	2008		F
B	ACTIV 110 / 125	125	2004		F
B	B & W 125 BET & WIN Dinksport	125	2000		F/R
B	DINK / GRAND DINK 125 /New Dink	125	1997		F/R
B	DINK 125	125	2010		F/R
B	EGO 125	125	2001	2003	F/R
B	GRAND DINK 125	125	2001		F/R
B	HIPSTER 125	125	1999		F
B	LIKE 125 4T	125	2008		F/R
B	MOVIE 125 (4T)	125	2001	2008	F
B	QUANNON 125 / NAKED 125	125	2007		F/R
B	SECTOR 125	125	1998	2001	F
B	SPACER 125	125	1998		F/R
B	SPIKE 125	125	2004		F/R
B	YAGER 125	125	2001		F/R
B	ZING 125 / ZING II 125	125	1998		F
B	ZING II 125	125	2010		F
B	AGILITY CITY 150	150	2008		R
B	B & W 150 BET & WIN	150	2000		F/R
B	DINK / GRAND DINK 150	150	1997		F/R
B	HIPSTER 150	150	1999		F
B	MOVIE 150	150	2001		F
B	SPACER 150	150	2003		F/R
B	YAGER 150	150	2001		F
B	AGILITY CITY 200	200	2010		R
B	DINK / SPACER / YAGER 200 / New Dink	200	2004		F/R
B	LIKE 200 i	200	2010		R
B	B & W 250 BET & WIN	250	2000		F/R
B	EGO 250	250	2001		F/R
B	PEOPLE 250	250	2004	2005	F
B	YUP 250	250	2003		F/R
B	ADDRESS 125	125	2008		F
B	400 BURGMAN	400	2006	2007	F
B	SHARK 4 VR 125	125	2000	2002	R
B	SHARK 4 VR 150	150	2000	2002	R
B	SR 50 2000	50	2000		R
B	SR 50 FACTORY	50	2004		R
B	SR 50 R	50	2008		F/R
B	ATLANTIC (ARECIFE) 125	125	2003		R
B	RS 125	125	2006		R
B	SCARABEO 125	125	1998	2006	R
B	SCARABEO 125 Street	125	2007		R
B	SPORTCITY 125 ie	125	2004		R
B	SCARABEO 150	150	1998		R
B	ATLANTIC (ARECIFE) 200	200	2003	2007	R
B	SCARABEO 200	200	2001	2007	R
B	SCARABEO 200	200	2009		R
B	SCARABEO 200 / Class	200	2008		R
B	SPORTCITY 200	200	2004		R
B	ATLANTIC 250	250	2008		R
B	LEONARDO 250	250	1999		R
B	SCARABEO 250 ie	250	2007		R
B	SPORTCITY 250 ie	250	2007		R
B	ATLANTIC 300	300	2010		R
B	LEONARDO 300	300	2004		R
B	SCARABEO 300 Class / Special	300	2010		R
B	SPORTCITY 300 / Cube Black line	300	2008		R
B	ATLANTIC Sprint 400	400	2007		R
B	SCARABEO 400 ie	400	2007		R
B	ATLANTIC (ARECIFE) 500 (right)	500	2001		R
B	ATLANTIC Sprint 500	500	2007		R
B	SCARABEO 500	500	2003		R
B	SCARABEO 500	500	2008		R

FDB2090



CC FROM TO FRONT / REAR

CC	FROM	TO	FRONT / REAR		
B	SCARABEO 500 Class	500	2010		R
B	VELVET 125	125	2009		R
B	VELVET 150	150	2009		R
B	VELVET 250	250	1999		R
B	EIKON 125	125	1999		R
B	EIKON 150	150	1999		R
B	MADISON 125	125	1999	2003	R
B	MADISON 3 - 125	125	2006		R
B	PHANTOM MAX 125	125	2004		R
B	MADISON 150	150	1999	2003	R
B	MADISON 180	180	1999	2003	R
B	MADISON S 200	200	2004		R
B	PHANTOM MAX 200	200	2004		R
B	MADISON 250	250	1999	2003	R
B	MADISON 3 250 RS	250	2004		R
B	PASSWORD 250	250	2005		R
B	PHANTOM MAX 250	250	2006		R
B	MADISON K 400	400	2002		R
B	202 CLASSIC 50	50	2003		F
B	AKROS TEC 50	50	2003		F
B	DELIVERY 50	50	2003		F
B	SCARABEO 100 (Minarelli engine)	100	2000		F
B	SCARABEO 100 (Yamaha engine)	100	2000		F
B	SCARABEO 100 4T / Net	100	2001		F
B	HABANA 125 all models	125	1999		F
B	LEONARDO 125	125	1999		F/R
B	SR 125	125	1999		F
B	LEONARDO 150	150	1999		F/R
B	SR 150	150	1999		F
A	50 DVX (4T)	50	2006	2008	R
A	50 Utility	50	2006	2008	R
A	90 DVX	90	2006	2010	R
A	90 Utility (2 x 4)	90	2006	2010	R
A	150 Utility 2x4	150	2009	2010	R
A	KFX 50 / KSF 50	50	2007	2009	R
A	KFX 90 / KSF 90	90	2007	2010	R
B	AGILITY Carry 50	50	2010		F
B	AGILITY CITY 50 - 16" (4T/2T)	50	2008		F
B	DJ 50S	50	2010		F
B	PEOPLE / PEOPLE S 50 4T	50	1999		F
B	SUPER 8 50 2T	50	2007		F
B	SUPER 9 50 LC / SUPER 9 S	50	2000		R
B	AGILITY CITY 125 - 16"	125	2008		F
B	PEOPLE / PEOPLE S 125	125	1999	2005	F
B	PEOPLE / PEOPLE S 125	125	2006		F
B	SUPER 8 125	125	2008		F
B	AGILITY CITY 150	150	2008		F
B	PEOPLE 150	150	1999		F
B	AGILITY CITY 200	200	2010		F
B	PEOPLE S 200	200	2004	2007	F
B	PEOPLE S 200 i	200	2007		F
B	PEOPLE 250 S	250	2006		F/R
B	PEOPLE 250 S (Left rear caliper)	250	2006		F
A	Mongoose 50 (4T) (Rear disc model)	50	2008	2009	R
A	Mongoose 70 (4T)	70	2007	2009	R
A	Mongoose 90	90	2002	2010	R
A	MXer 90	90	2004		R
A	Mxer - MXU 150	150	2003	2010	R
B	PHOENIX 125 / 150 / 200	125	2001		R
B	HD 125	125	2004		F
B	JOYRIDE 125	125	2001	2005	R
B	JOYRIDE 150	150	2001		R
B	HD 200	200	2004	2005	F
B	JOYRIDE 200	200	2001		R
B	XL 883 C CUSTOM	883	2000	2003	F/R
B	XL 883 R ROADSTER	883	2002	2003	F/R
B	XLH 883	883	2000	2003	F/R
B	XL 1200 C CUSTOM	1200	2000	2003	F/R
B	XL 1200 S SPORT	1200	2000	2003	F/R
B	XLH 1200	1200	2000	2003	F/R
B	FLHR Road King® (all models)	1340	2000	2007	F/R
B	FLHT Electra Glide® (all models)	1340	2000	2007	F/R
B	FLSTC Heritage Softail® Classic	1340	2000	2007	F
B	FLSTF Fat Boy®	1340	2000	2007	F
B	FLSTS / FLSTSI Springer Softail®	1340	2000	2005	R
B	FLTR Road Glide® (all models)	1340	2000	2004	F/R
B	FXD Dyna Super Glide®	1340	2000	2007	F/R
B	FXDL Dyna Low Rider®	1340	2000	2007	F/R

FDB2097

3034

B = Bike
A = ATV
S = Snowmobile

FERODO
MOTORCYCLE PADS
Updated on 11th Oct 2013

B = Bike
A = ATV
S = Snowmobile



CC FROM TO FRONT / REAR

Code	Brand	Model	CC	FROM	TO	FRONT / REAR		
...FDB2097		B FXDS-Conv. / Dyna Convertible	1340			F/R		
		B FXDWG Dyna Wide Glide®	1340	2000	2007	F/R		
		B FXDX Dyna Super Glide® Sport	1340	2000	2005	F/R		
		B FXDXT Super Glide® T - Sport	1340	2001	2003	F/R		
		B FXST Softail® Standard	1340	2000	2005	F/R		
		B FXST Softail® Standard	1340	2006	2007	F		
		B FXSTB Night Train®	1340	2000	2005	F/R		
		B FXSTB Night Train®	1340	2006	2007	F		
		B FXSTC Softail® Custom	1340	2007		F/R		
		B FXSTD Softail® Duece®	1340	2000	2007	F		
		B FXSTS / FXSTSI Springer Softail®	1340	2000	2005	R		
		B VRSC V-Rod® (All Models)	1340	2000	2005	F/R		
		B FLHX Street Glide®	1450	2006	2007	F/R		
		B FLST Heritage Softail®	1450	2006		F		
		B FLSTN Softail® Deluxe	1450	2005	2007	F/R		
		B FLSTSC Springer® Classic	1450	2005		R		
		B FXDB Dyna Street Bob	1450	2005	2007	F/R		
		B FXDC Dyna Super Glide® Custom	1450	2005	2007	F/R		
		FDB2098	HONDA	B SILVERWING 400	400	2006		F
				B NT 650 DEAUVILLE	650	2002		F/R
B NT 700 DEAUVILLE 680 / ABS	680			2006		R		
B VFR 800	800			2006		R		
B VFR 800 FI	800			1998		F/R		
B VFR 800 FI INTERCEPTOR / INTERCEPTOR ABS	800			2002	2005	F/R		
B XL 1000 V VARADERO	1000			1999	2003	F		
B CB 1100 HORNET	1100			1999	2000	F		
B CBR 1100 XX Superblackbird	1100			1998		F/R		
B ST 1100 PAN EUROPEAN ABS/TCS (Dual brake)	1100			1996	2000	F		
B ST 1300 PAN EUROPEAN / ABS	1300			2002		F/R		
B ST 1300 PAN EUROPEAN / ABS	1300			2008		R		
B GL 1800 GOLDWING	1800			2001		F/R		
B VTX 1800	1800			2001		F/R		
B GOLDWING F6B	1832	2012		F/R				
FDB2099	APRILIA	B SMV 750 Dorsoduro FACTORY	750	2010		F		
		B TUONO V4 R	1000	2011		F		
		B TUONO V4 R APRC	1000	2013		F		
		B DORSODURO 1200 / ABS / ATC	1200	2011		F		
	HONDA HUSQVARNA	B CB 400 SUPER FOUR S	400	1997	1998	F		
		B SM 450 RR	450	2010		F		
		B NUDA 900 R	900	2012		F		
		B NUDA 900 R ABS	900	2013		F		
FDB2100	PIAGGIO	B VESPA 125 PX	125	1998		F		
		B VESPA 150 PX	150	1998		F		
		B VESPA 200 PX	200	1998		F		
FDB2101	HONDA	B X8R 50 S	50	1998		R		
		B X8R 50 X	50	1998		R		
FDB2102	BMW	B SNIPER 50 DD	50	1994	1996	R		
		B K 1200 LT	1200	1999	2001	R		
FDB2103	GASGAS	B K 1200 LT	1200	2001		R		
		B R 1200 CL	1200	2003		R		
		B EC BOY 50	50	2001		F/R		
FDB2105	APRILIA	B EC ROOKIE 50	50	2001		R		
		B TXT 125	125	2001	2003	F/R		
		B TXT 200	200	2000	2003	F/R		
		B TXT 249	249	2001	2003	F/R		
		B PAMPERA 250	250	2002		R		
		B TXT 250	250	2000		F/R		
		B TXT 280	280	2000		F/R		
		B TXT 321	321	2000		F/R		
		B ATLANTIC (ARECIFE) 125	125	2003		F		
		B SCARABEO 125 Street	125	2007		F		
		B ATLANTIC (ARECIFE) 200	200	2003	2007	F		
FDB2106	CPI DERBI	B SCARABEO 200	200	2009		F		
		B SCARABEO 200 / Class	200	2008		F		
		B ATLANTIC 250	250	2008		F		
		B SCARABEO 250 ie	250	2007		F		
		B ATLANTIC 300	300	2010		F		
		B SCARABEO 300 Class / Special	300	2010		F		
		B ATLANTIC Sprint 400	400	2007		F		
		B ATLANTIC Sprint 500	500	2007		F		
		B PEOPLE GT 125i	125	2010		F		
		B PEOPLE GT 200i	200	2010		F		
		B PEOPLE GT 300i / ABS	300	2010		F		
		B MADISON 250	250	1999	2003	F		
		B MADISON K 400	400	2002		F		
		B LOOXOR 125 / 150	125	2003		F		
B GTS 50 / 125 / 200	125	2002	2003	F				
B GP1 50 OPEN	50	2007		F				



CC FROM TO FRONT / REAR

Code	Brand	Model	CC	FROM	TO	FRONT / REAR
FDB2107	MALAGUTI	B SENDA DRD RACING R 50	50	2005		F
		B CROSS CITY 125	125	2008		F
		B SENDA 125 R 4T	125	2005		F
		B SENDA BAJA 125 SM	125	2008		F
		B XSM 50 SUPERMOTARD	50	2003		F
		B MADISON 125	125	1999	2003	F
		B MADISON 3 - 125	125	2006		F
		B PHANTOM MAX 125	125	2004		F
		B X3M Motard 125	125	2008		F
		B MADISON 150	150	1999	2003	F
		B MADISON 180	180	1999	2003	F
		B MADISON S 200	200	2004		F
		B PHANTOM MAX 200	200	2004		F
		B MADISON 3 250 RS	250	2004		F
		B PASSWORD 250	250	2005		F
		B PHANTOM MAX 250	250	2006		F
		B SM 0.5cc Black Panther	50	2008	2010	F
		B City Corp 125 (All models)	125	2008		F
		B SE 1.25 F Enduro (4T)	125	2010		F
		B SM 1.25 i F Black Panther (4T)	125	2010		F
FDB2107	YAMAHA	B DT 50 R SM	50	2004		F
		B DT 50 X	50	2008		F
		B TZR 50 /Race Replica 07	50	2004		F
		B MC 80	80	1988		R
		B TX 300	300	1990		F
		B CLIMBER 280	280	1993		F/R
		B MX 50 ENDURO	50	1992		F/R
		B SYNT 260	260	1992		F
		B ZERO 260 GARA - TECHNO - SYNT	260	1993		F
		B ZERO 260 SYNT	260	1989	1992	F
FDB2107	ALFER	B LOBITO 75	75	1999		R
		B SUPERCROSS 50	50	2003		F/R
		B SUPERMOTO 50	50	2003		F/R
		B all models 50 (disc brake)	50	1983		F
		B AVENTURA 50	50	1996		F
		B COPPA 50 FDT	50	1986		F
		B COPPA 50 FD	50	1987		F
		B DS 50 WORLD CHAMPION	50	1988		F
		B FD 50 JUMBO	50	1985		F
		B FURAX 50	50	1996		F
FDB2107	APRILIA BETA	B PREDATOR 50	50	1998		F/R
		B PREDATOR 50 0.2	50	1999		F
		B RECORD 50	50	1998		F
		B SABANA 50	50	1990		F/R
		B SENDA 50	50	1994		R
		B VAMOS 50	50	1994		F
		B VAMOS 50 R	50	1996		F
		B VARIANT 50 SPORT R	50	1994		F
		B COPPA 75 SPORT	75	1985		F
		B YUMBO 75 RD-2 FDS	75	1987		F
FDB2107	FANTIC FB MINARELLI GASGAS	B K-ROO 250	250	1993		F/R
		B MR 80	80			F
		B TXT 50 BOY	50	2004		F/R
		B DELTA 125	125	1991		F
		B JT 12 125	125	1995		F/R
		B PAMPERA 125	125	1996		F/R
		B TRIAL 125	125	1991		F
		B TT 125	125	1995		R
		B JTR 140 CONTACT	140	1996		F/R
		B JT 16 150	150	1995		F/R
FDB2107	MONTESA MONTESA (HONDA) PUCH	B JT 160	160	1995		F/R
		B JT 25 250	250	1991		F/R
		B JT 250 CONTACT	250	1994		F/R
		B JTR 250 CONTACT	250	1996		F/R
		B T 25 250 CONTACT	250	1993		F/R
		B JTR 270 CONTACT	270	1996		F/R
		B JT 32 320	320	1991		F/R
		B TRIAL 327	327	1989		F/R
		B GASGAS 350	350			F/R
		B JT 350	350	1995		F/R
B JTR 370 CONTACT	370	1996		F/R		
FDB2107	MONTESA MONTESA (HONDA) PUCH	B COTA 309	309	1989		F
		B COTA 335	335	1989		F/R
		B H7-S 360	360			F
		B COTA 310	310	1989		F
		B CONDOR 50	50			F
		B MONZA 50	50	1985		F
		B COBRA 75	75	1985		F

B = Bike
A = ATV
S = Snowmobile

FERODO
MOTORCYCLE PADS
Updated on 11th Oct 2013

B = Bike
A = ATV
S = Snowmobile

3035



CC FROM TO FRONT / REAR

Code	Brand	Model	CC	FROM	TO	FRONT / REAR	
...FDB2107	RIEJU	B COBRA 80	80	1984		F	
		B MR 80	80			F	
		B Enduro 50cc (2T)	50	2002	2007	R	
	SHERCO	B Supermotard 50cc (2T)	50	2002	2007	R	
		B Trials 0.8 (2T)	80	2001	2004	F	
	B City Corp 125 (All models)	125	2003	2007	R		
	B Trials 1.25cc (2T)	125	1999	2005	F/R		
	B Trials 2.0cc (2T)	200	1999	2005	F/R		
	B Trials 2.5 (2T)	250	1999	2005	F/R		
	B Trials 2.9 (2T)	290	1999	2005	F/R		
	YAMAHA	B DT 50 R	50	2008		F/R	
		B TY 250 Z	250	1993	1995	F/R	
	FDB2108	LAVERDA	B PHOENIX 125 / 150 / 200	125	2001		F
			B RS 50	50	2004		F
SYM		B SHARK 50	50	1999	2003	F	
		B EURO MX 125	125	2002		F	
		B JOYRIDE (Euro2 - Euro3)	125	2005		F	
		B JOYRIDE 125	125	2001	2005	F	
		B JOYRIDE 125 EURO2	125	2005	2006	F	
		B JOYRIDE Evo	125	2010		F	
		B RS 125	125	2001		F	
		B SHARK 125	125	1999	2002	F	
		B SHARK 4 VR 125	125	2000	2002	F	
		B VS 125	125	2006		F	
		B EURO MX 150	150	2002		F	
		B JOYRIDE 150	150	2001		F	
		B RS 150	150	2001		F	
		B SHARK 150	150	1999	2002	F	
		B SHARK 4 VR 150	150	2000	2002	F	
B VS 150	150	2006		F			
B JOYRIDE 200	200	2001		F			
FDB2109	BETA	B EVO 80	80	2008		F	
		B REV 80	80	2008		F	
		B EVO 125 2T	125	2009	2011	F	
		B EVO 125 2T	125	2012		F	
		B REV 3 125	125	2000		F/R	
		B EVO 200 2T	200	2012		F	
		B EVO 250 2T/4T	250	2009	2011	F	
		B EVO 250 2T/4T	250	2012		F	
		B REV 3 250	250	2000	2007	F/R	
		B REV 3 250 / Long Range	250	2008		F	
		B REV 3 250 / Long Range	250	2008		F	
		B REV 4T 250	250	2007	2008	F	
		B EVO 290 2T	290	2009		F	
		B EVO 300 2T/4T	300	2012		F	
		B EVO 300 4T	300	2009	2011	F	
		GASGAS	B TXT 125 / 200 / 250 / 280 / 300	125	2004		F
			B COTA 310 4T / 4RT	310	2007		F
		MONTESA (HONDA)	B MH 315	315	2001		F
	B Trials 0.8 (2T)		80	2005	2010	F	
	SHERCO	B Trials 1.25cc (2T)	125	2006	2011	F	
		B Trials 2.5 (2T)	250	2006	2011	F	
		B Trials 2.9 (2T)	290	2006	2011	F	
		B Trials 3.2cc (4T)	320	2005	2011	F	
FDB2110	KAWASAKI	B KX 65	65	1999		F	
		B KX 65	65	2000		F	
	SUZUKI	B RM 65	65	2003		F	
FDB2111	HONDA	B CB 400 SUPER FOUR (SF)	400	1999	2003	R	
		B CB 1300 SF	1300	1998	2000	R	
		B CB 1300 X4	1300	1997	2000	R	
	KAWASAKI	B ZX-7 750 RR NINJA N1	750	1996	1999	R	
		B 1400 GTR	1400	2007	2011	R	
	SUZUKI	B ZZR 1400	1400	2006		R	
		B GSX-R 600	600	2004	2005	R	
		B GSX-R 600 - Racing Applications	600	2004	2005	R	
		B BANDIT 650 S (left)	650	2005	2007	R	
		B GSX-R 750	750	2004	2005	R	
		B GSX-R 750 - Racing Applications	750	2004	2005	R	
		B GSX R 1000	1000	2001	2002	R	
		B GSX R 1000 (Racing Applications)	1000	2001	2002	R	
		B GSX R 1000 K3	1000	2003		R	
		B GSX R 1000 K3 - Racing Applications	1000	2003		R	
		B GSX-R 1000	1000	2004	2006	R	
		B GSX-R 1000 - Racing Applications	1000	2004	2008	R	
		B GSX 1400	1400	2002		R	
		YAMAHA SNOWMOBILE	S NISSIN (all models)		1997	1999	R
			S SRX 600 - 700		1998	1999	R
			S SRX 700 - MOUNTAIN MAX 700		2000	2001	R



CC FROM TO FRONT / REAR

Code	Brand	Model	CC	FROM	TO	FRONT / REAR		
		S SX 500R - 600R - 700R				R		
		S V-MAX 500 - 600 - 700 (all)		1997	1999	R		
		S V-MAX 800		1998	2000	R		
		S VENTURE 500 - 600 - 700		1997	2000	R		
FDB2113	HONDA	B CBR 600 F2	600	1991	1994	F		
FDB2114	HARLEY DAVIDSON	B XR 1200	1200	2008	2010	F		
		B XR 1200 X	1200	2010		F		
	HONDA	B CB 600 HORNET (Japan)	600	1998		F		
		B CBR 600 F (Japan)	600	1999	2004	F		
		B CBR 900 RR-FIREBLADE (Japan)	900	1998	2003	F		
		B VTR 1000 SP-1 (Japan)	1000	2000	2004	F		
		FDB2115	BENELLI	B ADIVA 125	125	1999		R
				B ADIVA 150	150	1999		R
B RUNNER 125 VX 4T	125			2001		R		
B RUNNER 180 VXR 4T	180			2001		R		
B RUNNER 200 VXR	200			2004		R		
B VESPA LX 50 2T	50			2007		F		
B VESPA S50	50			2008		F		
B DNA 125	125			2000	2003	R		
B GTS 125 Super	125			2010		R		
B SUPER HEXAGON 125 GTX	125			2001		R		
B VESPA GRANTURISMO 125 (Grimeca caliper)	125			2003		R		
B VESPA GRANTURISMO 125 (Heng Tong caliper)	125			2003		R		
B VESPA LXV 125 / LX 125 / LXW 125 / Touring	125	2007		F				
B SUPER HEXAGON 150 GTX	150	2001		R				
B VESPA LX 150	150	2007		F				
B DNA 180	180	2001	2002	R				
B SUPER HEXAGON 180 GTX	180	2001	2003	R				
B VESPA GRANTURISMO 200 (Grimeca caliper)	200	2003		R				
B VESPA GRANTURISMO 200 (Heng Tong caliper)	200	2003		R				
B SUPER HEXAGON 250 GTX	250	2001	2002	R				
B VESPA GTS - GTV 250 ie	250	2008		R				
B GTV Via Montenanapoleone 280	280	2010		R				
B VESPA GTS 300 / Super / Supersport	300	2008		R				
FDB2119	HONDA	B LEAD 100	100			F		
		B 125 DYLAN	125	2002		F		
		B @ 125 NES	125	2000		F		
		B PS 125 i	125	2007		F		
		B SH 125	125	2000	2009	F		
		B @ 150 NES	150	2000		F		
		B PS 150i	150	2008		F		
		B SH 150	150	2000	2008	F		
		B YFZ 450 (left) - All models	450	2006		R		
		FDB2120	APRILIA	B RSV 1000 MILLE	1000	2001		F
B RSV 1000 MILLE R	1000			2001	2003	F		
	BENELLI		B RSV 1000 MILLE R / FACTORY / TUONO RACING	1000	2004		F	
			B BX 449 Motard	449	2010		F	
	BIMOTA		B TORNADO TRE 900 / RS / Naked Sport Evo	900	2002		F	
			B TNT 1130 SPORT / CAFE RACER / YUMA	1130	2004		F	
	CAGIVA		B TNT R 160	1130	2010		F	
			B TORNADO TRE 1130	1130	2007		F	
	DERBI		B DB 5 MILLE 1000 / DB5S / DB5R	1000	2006		F	
			B DB6 DELIRIO 1000 / DB6R	1000	2006		F	
	DUCATI		B TEST 3D 1100	1100	2009		F	
			B RAPTOR X3 1000	1000	2003		F	
	HUSQVARNA	B MULHACEN CAFE 659 Angel Nieto Lim. Ed.	659	2008		F		
		B 748 / 748R / 748S	748	2001		F		
		B 749 / 749R / 749S / 749 DARK	749	2003		F		
		B 996 R TESTA STRETTA	996	2001		F		
		B 998 R	998	2002		F		
		B 998 SFE	998	2003		F		
		B 999 R / S	999	2003		F		
		B HYPERMOTARD 1000	1000	2006		F		
		B MONSTER S4R / S4RS 1000	1000	2006	2007	F		
		B MONSTER S4R S Testastretta/tricolore	1000	2008		F		
		B SMR 449	449	2011		F		
		B SM 450 R / RR	450	2007	2009	F		
B SM 510 R	510	2007		F				
B SMR 511	511	2011		F				
B SM 610 R / IE	610	2007		F				
B SM 630 S	630	2010		F				
B SMR 630	630	2011		F				
B STR 650	650	2007		F				
	KTM	B 690 SMR / SMC / DUKE / SupermotoR	690	2008		F		
		B LC4 690 SUPERMOTO Prestige	690	2007		F		
		B DUKE 950 / 990 / 990 RC8	950	2003		F		
		B SUPERMOTO 950	950	2005		F		
		B 990 SMT	990	2010		F		



CC FROM TO FRONT / REAR

CC	FROM	TO	FRONT / REAR
...FDB2120			
LAVARDA	B 990 SUPERDUKE /SUPERDUKE R/ SUPERMOTO	990 2005 2009	F
	B SFC 1000	1000 2003	F
MOTO GUZZI	B MGS - 01 Corsa	1225 2007	F
MV AGUSTA	B BRUTALE 910 R / Starfighter	910 2006	F
	B F4 1000 R (1+1)	1000 2006 2007	F
SHERCO	B SM 4.5i F (Black Panther)	450 2008 2010	F
	B SM 5.1i F Black Panther	510 2008 2010	F
TM	B SMM 125 (2T) Black Dream (320mm front disc)	125 2008 2011	F
	B SMM 250 F (4T)	250 2010 2011	F
	B SMR 250 F (4T)	250 2010 2011	F
	B SMM 450 F Black Dream ES (320mm front disc)	450 2008 2010	F
	B SMR 450 F (4T)	450 2010 2011	F
	B SMX 450 F	450 2005 2011	F
	B SMX 450 F Competition (4T)	450 2005 2008	F
	B SMM 530 F Black Dream ES (320mm front disc)	530 2008 2010	F
	B SMR 530 F	530 2010 2011	F
	B SMX 530 F	530 2005 2011	F
	B SMX 660 F	660 2005 2010	F
TRIUMPH	B SPEED TRIPLE 1050	1050 2008	F
FDB2121			
POLARIS ATV	A MAGNUM (All models)	1999 2001	R
	A SCRAMBLER (All Models)	1998 2004	R
	A TRAIL BOSS (All Models)	2000 2004	R
	A TRAIL BLAZER 250	250 1999 2004	R
	A XPLORER 250	250 2000	R
	A XPEDITION 325	325 2000 2001	R
	A SPORTSMAN 335	335 1999 2000	R
	A Sport 400	400 1999 2000	R
	A SPORTSMAN 400	400 2001 2002	R
	A XPLORER 400	400 1999 2002	R
	A XPEDITION 425	425 2000	R
	A DIESEL 455	455 1999 2001	R
	A SPORTSMAN 500	500 1998 2002	R
FDB2123			
APRILIA	B SX 450	450 2008	F
	B SX 550	550 2008	F
HUSQVARNA	B SMR 650	650 2007	F
MOTO GUZZI	B V12 LM	1200 2010	F
FDB2124			
BMW	B R 850 R	850 2001	F
	B R 1100 S ABS	1100 2001	F
	B R 1150 R / ROCKSTER	1150 2001	F
	B R 1150 R ROADSTER	1150 2001	F
	B K 1200 RT	1200 2008	F
	B R 1200 C CLASSIC	1200 2003	F
	B R 1200 C MONTAUK	1200 2004	F
	B R 1200 CL	1200 2003	F
	B R 1200 R	1200 2007	F
	B K 1300 GT	1300 2009	F
	B K 1300 R	1300 2009	F
	B K 1600 GT/ GTL/GTL E	1600 2011	F
KAWASAKI	B ZRX 400 (ZR 400 E2)	400 1999 2001	F
FDB2125			
BMW	B R 850 RT	850 2002 2003	F
	B R 1100 S (no ABS)	1100 2001	F
	B R 1150 GS ADVENTURE	1150 2003	F
	B R 1150 RS / RT	1150 2002	F
	B R 1150 RT	1150 2001	F
	B HP2 Megamoto 1200	1200 2008	F
	B K 1200 GT	1200 2003 2007	F
	B K 1200 GT	1200 2007	F
	B K 1200 LT	1200 2001	F
	B K 1200 RS	1200 2002	F
	B K 1200 S / R	1200 2004	F
	B R 1200 GS /Adventure	1200 2004	F
	B R 1200 S / ST / RT	1200 2007	F
	B K 1300 S	1300 2009	F
FDB2126			
YAMAHA	B XP 500 T MAX	500 2001 2003	R
	B XP 530 T MAX	530 2012	R
	B XP 530 T MAX ABS	530 2012	R
	B FJR 1300	1300 2001 2002	R
FDB2127			
BETA	B MINICROSS 50 PRO RACE 12/10	50 2004	F/R
	B MINITRIAL 50	50 2008	F
	B EVO 125 2T	125 2009 2011	R
	B EVO 250 2T/4T	250 2009 2011	R
	B EVO 290 2T	290 2009	R
	B EVO 300 4T	300 2009 2011	R
GASGAS	B TXT 125 / 200 / 250 / 280 / 300	125 2004	R
MONTESSA	B All models trial	2001	R
SHERCO	B Trials 0.8 (2T)	80 2001 2004	R
	B Trials 0.8 (2T)	80 2005 2010	R
	B Trials 1.25cc (2T)	125 2006 2011	R



CC FROM TO FRONT / REAR

CC	FROM	TO	FRONT / REAR
	B Trials 2.5 (2T)	250 2006 2011	R
	B Trials 2.9 (2T)	290 2006 2011	R
	B Trials 3.2cc (4T)	320 2005 2011	R
FDB2128			
DERBI	B SENDA DRD Pro 50 SM	50 2008	R
	B BOULEVARD 125 / 150	125 2003	F
	B CROSS CITY 125	125 2008	R
	B SENDA BAJA 125 SM	125 2008	R
	B TERRA 125 ADVENTURE	125 2008 2009	R
	B FUOCO 500 ie	500 2011	R
	B GP800	800 2011	R
HONDA	B HM 50 CRE	50 2006	R
ITALJET	B MILLENIUM 100	100 2002 2003	F
	B JET SET 125	125 2002 2003	F
	B MILLENIUM 125	125 2001 2003	F
	B JET SET 150	150 2002 2003	F
	B MILLENIUM 150	150 2001 2003	F
PEUGEOT	B ELYSEO 125	125 2001 2002	F
	B ELYSEO 125	125 2003	R
	B SATELIS 125 / 600	125 2004 2005	R
	B ELYSEO 150	150 2000	R
	B ELYSEO 150	150 2001	R
	B SATELIS 250 (AJP caliper)	250 2007	R
SHERCO	B Enduro 50c (2T)/Urban/SU - Spoke wheel models)	50 2008 2010	R
	B SM 0.5cc Black Panther	50 2008 2010	R
	B SU 50 (2T) Urban Base - Cast wheel model)	50 2010	R
	B City Corp 125 (All models)	125 2008	R
	B SE 1.25 F Enduro (4T)	125 2010	R
	B SM 1.25 i F Black Panther (4T)	125 2010	R
YAMAHA	B DT 50 R SM	50 2004	R
	B DT 50 X	50 2008	R
	B XT 125 R	125 2008	F/R
	B XT 125 X	125 2008	R
FDB2129			
SYM	B HUSKY 125	125 2000	F
	B HUSKY 150	150 2000	F
FDB2130			
HONDA	B JAZZ 250	250 2001	R
FDB2132			
SUZUKI	B AN 250 BURGMAN K1/K2	250 2001 2002	R
	B 400 BURGMAN BUSINESS	400 2001	R
FDB2133			
KAWASAKI	B KLX 125 L	125 2003	F
SUZUKI	B TR 50 STREET MAGIC	50 1998 2000	F
	B RM 80 XT- XV - X	80 1996 2001	F
	B RM 85 L	85 2002 2004	F
	B UG 110 HOKUTO	110 2000 2004	F
	B AN 125	125 1995 2000	F
	B DR-Z 125	125 2003	F
	B UE - 125 EPICURO	125 1998 2000	F
	B UE - 125 EPICURO	125 2001 2002	F/R
	B UC 150 EPICURO	150 1998 2000	F
	B UC 150 EPICURO	150 2001 2002	F/R
FDB2136			
LYN SNOWMOBILE	S Enduro	1998 2000	R
	S GLX 5009 ST	1998 2000	R
	S Gran Touring 700	1998 2000	R
	S Rave Special	1998 2000	R
FDB2139			
APRILIA	B MXV 450	450 2008	R
HONDA	B CR 125	125 2002	R
	B CRE 125 2T /Six Comp	125 2002	R
	B CRF 150 RB	150 2008	R
	B CR 250	250 2002	R
	B CRE 250 / CRE F250 X/R	250 2002	R
	B CRF 250 X / R	250 2004	R
	B CRE F300 X	300 2008	R
	B CRE F450 R	450 2011	R
	B CRE F450 X/R	450 2008	R
	B CRF 450 R	450 2002	R
	B CRF 450 SUPERMOTARD	450 2002	R
	B CRM F 450 / R / X / RR (Magura 4 pistons)	450 2008	R
	B CRE F500 X	500 2009	R
SUZUKI	B RME 50 R	50 2010	R
FDB2140			
KYMCO	B GRAND DINK 250	250 2001	R
FDB2141			
ARCTIC CAT ATV	A 250 DVX	250 2006 2008	R
	A 300 DVX	300 2009 2010	R
KYMCO	B GRAND DINK 250	250 2001	F
KYMCO ATV	A KXR 250 MONGOOSE	250 2004 2009	R
	A MXU 250	250 2004 2010	R
	A URBAN 250	250 2006 2007	R
	A MAXXER 300	300 2005	R
	A Mongoose 300	300 2006 2010	R
SYM	B GTS 125 i	125 2010	F
	B JOYMAX 250	250 2006 2007	F

B = Bike
A = ATV
S = Snowmobile

FERODO
MOTORCYCLE PADS
Updated on 11th Oct 2013

B = Bike
A = ATV
S = Snowmobile

3037



CC FROM TO FRONT / REAR

Code	Brand	Model	CC	FROM	TO	FRONT / REAR		
...FDB2149	KAWASAKI ATV SUZUKI ATV	A Trail Buck 500 EX (Left)	500	2004	2005	R		
		A Trail Buck 500 EX (Right)	500	2004	2005	F		
		A Buck 650 EXT (Left)	650	2004	2008	R		
		A Buck 650 EXT (Right)	650	2004	2008	F		
		A Trail Buck 650 EXT (Left)	650	2004	2005	R		
		A Trail Buck 650 EXT (Right)	650	2004	2005	F		
		A KFX 450 R	450	2008		F		
		A LT-A/F 400 KING QUAD (Right) - All Models	400	2008	2009	F		
		A LT-F 400 K8 Manual 2WD (Right)	400	2008		F		
		A LT-A 450 KING QUAD (right)	450	2007	2009	F		
	YAMAHA ATV	A LT-R 450 Z Quad Racer (right)	450	2008		F		
		A LT-A 500 FK2 VINSON 4x4	500	2001	2007	R		
		A LT-A 500 KING QUAD 4x4 (right)	500	2009		F		
		A LT-A 700 KING QUAD (right)	700	2005	2007	F		
		A TWIN PEAKS 700 (right)	700	2004	2005	F		
		A LT-A 750 KING QUAD (right)	750	2008		F		
		A YXR 450 RHINO (left) - side by side	450	2004	2009	R		
		A YXR 660 RHINO (left) - side by side	660	2004	2007	R		
		FDB2150	YAMAHA	B FZS 1000 FAZER	1000	2001	2005	R
				B XJR 1300	1300	2002		R
FDB2153	LIGIER	B NOVA	500	2001		F		
PIAGGIO	B M 500 Minicar	500	2006	2008	F			
	B PK 500 Motocarro	500	2006	2008	F			
FDB2154	GREKAV	B EIKE 505	50			F		
FDB2156	HYOSUNG	B GV 650	650	2004	2005	R		
YAMAHA	B GV 1000	1000	2004		R			
	B TDM 900	900	2002		R			
	B XVS 950 A Midnight Star	950	2008		R			
	B XT 1200 Z Superteneré ABS	1200	2010		R			
	B FJR 1300/FJR 1300 A	1300	2003	2005	R			
	B FJR 1300/FJR 1300 A/FJR 1300 AS	1300	2006		R			
	B XVS 1300 A Midnight Star	1300	2008		R			
	B V-MAX	1680	2008		R			
	B XV 1700 ROYAL STAR WARRIOR	1700	2002		R			
	B XV 1900 A MIDNIGHT STAR	1900	2006		R			
FDB2157	HUSQVARNA	B CR 65	65	2010		F		
KTM	B 65 SX	65	2010		F/R			
	B SX 65	65	2002	2003	F			
	B SX 65	65	2004	2009	F			
	B SX 85	85	2003	2010	F/R			
	B SX 85 (17/14")	85	2011		F			
FDB2158	KAWASAKI	B Z800 (ADS)	800	2013		F		
	B Z800 ABS (BDS)	800	2013		F			
	B Z800 E ABS (DDS)	800	2013		F			
	B ZX-9R 900 R NINJA F1-F2	900	2002	2004	F			
	B Z 1000 (ZR 1000 A1)	1000	2003	2006	F			
	B GSX 1300 B-KING / Hyaku	1300	2007		F			
SUZUKI	B B-KING	1340	2010		F			
	TRIUMPH	B DAYTONA 675 / Special Edition / Triple	675	2006	2008	F		
	B STREET TRIPLE 675 R	675	2008		F			
	B SPEED TRIPLE 1050	1050	2004	2007	F			
	B TIGER SE ABS 1050	1050	2008		F			
	FDB2162	APRILIA	B RXV 450 / Rally / Merriman Replica	450	2005		R	
	BETA	B SX 450	450	2008		R		
B SXV 450		450	2005	2007	R			
B SXV VDB 450/550 Replica		450	2007		R			
B RXV 550		550	2005		R			
B SX 550		550	2008		R			
B SXV 550		550	2005		R			
B RR Enduro 125 4T		125	2008		R			
B RR 400 Enduro / Racing Ed.		400	2008		R			
B FACTORY 450		450	2009		R			
B RR 450 ENDURO		450	2005	2007	R			
HONDA	B RR 450 ENDURO	450	2008		R			
	B RR Enduro 525 4T	525	2008		R			
	B CRE 50 SIX Comp.	50	2007	2012	R			
	B CRE 50 Six Racing	50	2011		R			
	B CRM 50 Derapage Comp.	50	2007	2012	R			
	B CRE 125 4T Six Racing	125	2011		R			
	B CRE 125 SIX Comp.	125	2010	2011	R			
	B CRM 125 2T Derapage Comp.	125	2011	2012	R			
	B CRM 125 4T Derapage Comp.	125	2011	2012	R			
	KAWASAKI	B KLX 250	250	2008		R		
B KX 250 F		250	2004		R			
B KLX 450 R		450	2007		R			
B KX 450 F		450	2006		R			
SHERCO		B Enduro 2.5i (4T) Inc. SE Models	250	2008	2011	R		
		B SM 2.5i Supermotard (4T)	250	2008		R		



CC FROM TO FRONT / REAR

Code	Brand	Model	CC	FROM	TO	FRONT / REAR
SUZUKI		B SX 2.5i F Moto Cross	250	2010		R
		B Enduro SE 3.0i (4T)	300	2010	2011	R
		B Enduro 4.5i (4T) Inc SE Models	450	2004	2011	R
		B SM 4.5i F (Black Panther)	450	2008	2010	R
		B SM 4.5i F (Supermotard)	450	2004	2010	R
		B Enduro 5.1iF Inc SE Models	510	2007	2011	R
		B SM 5.1i F Black Panther	510	2008	2010	R
		B SM 5.1i F Supermotard	510	2007		R
		B DR 125 SM	125	2008		R
		B RM 125	125	2009		R
		B RM 125 E	125	2009		R
		B SM 125	125	2010		R
		B RM 250	250	2009		R
		B RM-Z 250	250	2004	2008	R
		B RM-Z 250 / E	250	2009		R
		B RM-Z 450	450	2005	2007	R
		B RM-Z 450 / E	450	2008		R
		B RMX 450 E	450	2009		R
		B SM 450X	450	2009		R
		TM		B 80/85/100 Junior		2005
B MX 85 (Big Wheel)	85			2005	2012	R
B MX 85 JR (Small Wheel)	85			2005	2012	R
B Enduro EN 125 (2T) - USA VERSION	125			2005	2008	R
B SMR 125 (2T)	125			2005	2011	R
B EN 144 (2T)	144			2008	2012	R
B MX 144 (2T)	144			2008	2012	R
B Enduro EN 250 (2T)	250			2005	2008	R
B Enduro EN 250 Fi	250			2010	2011	R
B MX 250 (2T)	250			2005	2012	R
B MX 250 (4T) Cross	250			2005	2012	R
B MX 250 Fi (4T)	250			2010	2012	R
B SMM 250 F (4T)	250			2010	2011	R
B SMR 250 (2T)	250			2005	2011	R
B SMR 250 F (4T)	250			2010	2011	R
B Enduro EN 300 (2T)	300			2005	2012	R
B MX 300 (2T)	300			2005	2012	R
B SMR 300 (2T)	300			2005	2011	R
B EN 450 F (4T)	450			2005	2012	R
B MX 450 F (4T)	450			2005	2012	R
B SMR 450 F (4T)	450	2010	2011	R		
B SMR 450 FES	450	2005	2009	R		
B SMX 450 F	450	2005	2011	R		
B EN 530 F (4T)	530	2005	2012	R		
B MX 530 F	530	2005	2011	R		
B SMR 530 F	530	2010	2011	R		
B SMR 530 F ES	530	2005	2009	R		
B SMX 530 F	530	2005	2011	R		
B SMX 660 F	660	2005	2010	R		
YAMAHA	B YZ 125	125	2003	2007	R	
	B YZ 125	125	2008		R	
	B WR 250 F / FN / FT / FV	250	2003	2006	R	
	B WR 250 F / RX	250	2008		R	
	B WR 250 FW	250	2007		R	
	B WR 250 XX (Supermotard)	250	2008		R	
	B YZ / WR 250	250	2003	2007	R	
	B YZ / WR 250	250	2008		R	
	B YZ 250 F	250	2007		R	
	B WR 450 FR/FS	450	2003		R	
B YZ 450 F	450	2003	2007	R		
B YZ 450 F	450	2008		R		
FDB2163	SUZUKI	B INTRUDER C1500 (left)	1500	2007		R
		B VL 1500 K2 (left)	1500	2002	2003	R
FDB2164	KAWASAKI	B ZX 6RR (ZX 599 B1)	599	2003	2006	F
	B ZX 6R (ZX 636 K1)	636	2003	2006	F	
	B ZX-10R 1000	1000	2004	2007	F	
	B ZX-12R 1200	1200	2004		F	
SUZUKI	B GSX R 1000 K3	1000	2003		F	
FDB2165	BMW	B G450 X	450	2008		R
HUSQVARNA	B CR 125	125	2005		R	
	B ENDURO WR 125	125	2010		R	
	B WR 125 / WRE 125	125	2006		R	
	B ENDURO WR 250/300	250	2010		R	
	B TC / TE 250	250	2006		R	
	B TC 250 R	250	2013		R	
	B TE 250 R	250	2012		R	
	B TE 310	310	2009		R	
	B TE 310 R	310	2012		R	
	B TC / TE 449	449	2011		R	

B = Bike
A = ATV
S = Snowmobile

B = Bike
A = ATV
S = Snowmobile



CC FROM TO FRONT / REAR

Code	Brand	Model	CC	FROM	TO	FRONT / REAR		
FDB2165	KTM	ENDURO TE 450/510	450	2010		R		
		SM 450 R /RR	450	2007	2009	R		
		SM 450 RR	450	2010		R		
		TC / TE 450	450	2007	2010	R		
		SM 510 R	510	2007		R		
		TC / TE 510	510	2006		R		
		SMR 511	511	2011		R		
		TC 511	511	2011		R		
		EXC 125	125	2004		R		
		SX 125	125	2003		R		
		SX 125 / SX-F 125	125	2004		R		
		SX 200	200	2003		R		
		EXC 250 /F	250	2007		R		
		MX 250	250	2003		R		
		SX 250 / F	250	2003		R		
		EXC 300 /E	300	2007		R		
		MX 300	300	2004		R		
		350 EXC-F	350	2012		R		
		350 EXC-F Six Days	350	2012		R		
		350 SX-F	350	2011		R		
		350 XC-F	350	2011		R		
		350 XCF W	350	2011		R		
		ECX 400	400	2006		R		
		450 SMR	450	2007		R		
		EXC 450 RACING	450	2004		R		
		MX 450	450	2003		R		
		SX 450 / F	450	2003		R		
		500 EXC	500	2012		R		
		500 XC-W	500	2012		R		
		SX / MX 525	525	2003		R		
		560 SMR	560	2007		R		
		MARATHON 250	250	2010		R		
		MARATHON 450	450	2010		R		
		MARATHON 450 Motard	450	2010		R		
		FDB2167	HONDA	CRE Baja RR HM 125 4T	125	2011		F
		FDB2169	HERO	Karizma ZMR 230	320	2011	2012	F
				ANF 125 INNOVA	125	2003	2011	F
				CBF 125 M	125	2009	2012	F
				CBR 125 R (6 Bolt Front Disc Fitting)	125	2011	2013	F
				CBR 125 R (6 Bolt Front Disc Fixing)	125	2004	2010	F
				CBR 150 R	125	2000	2003	F
			LIFAN	FS 125 Sonic	125	2003	2004	R
Smart 50/125	125					F		
RS2 50 FR / PRO	50			2008		F		
RS2 50 MATRIX / PRO 50 (JJUAN)	50			2007	2008	F		
RS2 50 PRO	50			2009		F		
NKD 125	125			2008		F		
RS2 125 / PRO 125 (JJUAN)	125	2007	2008	F				
FDB2173	SUZUKI	AN 400 BURGMAN (left)	400	2008		R		
		BURGMAN 650/Executive/Z Executive	650	2002		R		
FDB2175	ARCTIC CAT ATV	250 (2x4/4x4)	250	1999	2004	F/R		
		300 (2x4/4x4)	300	1998	2004	F/R		
		375 (Auto)	375	2001		F/R		
		400 (2x4/4x4)	400	1998	2004	F/R		
		440 (4x4)	440	2002	2003	F/R		
		BEAR CAT 450 (2x4/4x4)	450	1996	1997	F/R		
		BEAR CAT 454 (2x4/4x4)	454	1996	2000	F/R		
		500 (4x4,Manual,Auto)	500	1998	2004	F/R		
		QUASAR 400 4x4	400	2004		F/R		
		QUASAR 500 4x4	500	2004		F		
		FDB2176	POLARIS ATV	MAGNUM (All models)		2002	2006	R
				TRAIL BLAZER 250	250	2005	2006	R
XPEDITION 325	325			2002		R		
Trail Blazer 330	330			2008	2010	R		
TRAIL BOSS 330	330			2005	2010	R		
SPORTSMAN 400	400			2003	2005	R		
Sportsman 450	450			2006		R		
SCRAMBLER 500 (All models)	500			2005	2010	R		
SPORTSMAN 500 HO/EFI/X2/EFI Quad H.O.	500			2003	2010	R		
SPORTSMAN 600	600			2003	2006	R		
SPORTSMAN 700	700			2003	2007	R		
SPORTSMAN 800 EFI/HO	800			2005	2010	R		
FDB2177	POLARIS ATV	SPORTSMAN 500 6x6	500	2000	2008	R		
FDB2178	HYOSUNG	COMET GT 650 / R	650	2010		F		
		AQUILA GV 700	700	2010		F		
	KAWASAKI	Z 1000 / ABS / SX	1000	2010		F		
		ZX-10R 1000	1000	2008	2010	F		
ZX-10R 1000	1000	2011		F				



CC FROM TO FRONT / REAR

Code	Brand	Model	CC	FROM	TO	FRONT / REAR		
FDB2179	SUZUKI	GSX-R 600	600	2004	2005	F		
		GSX-R 600	600	2006	2010	F		
		GSX-R 750	750	2004	2005	F		
		GSX-R 750	750	2006	2010	F		
		GSX-R 1000	1000	2004	2006	F		
		GSX-R 1000	1000	2007	2008	F		
		GSX-R 1000	1000	2009	2011	F		
		GSX-R 1000 Alstare 25° Ann.	1000	2010		F		
		GSX-R 1000 Yoshimura 2008	1000	2010		F		
		V-STROM 1000	1000	2013		F		
		GSX-R 1300	1300	2008		F		
		GSX-R 1300 HAYABUSA	1300	2008		F		
		VZR 1800 M INTRUDER	1800	2006		F		
		FDB2180	HARLEY DAVIDSON	XL 833 N Iron 883	883	2012		F
				XL 883	883	2004	2008	F
				XL 883 C CUSTOM	883	2004	2008	F
				XL 883 L Sportster LOW / SuperLOW	883	2005		F
				XL 883 N Iron	883	2010		F
XL 883 R ROADSTER	883			2005	2007	F		
XL 1200 C Sportster CUSTOM	1200			2004		F		
XL 1200 L LOW	1200			2006	2008	F		
XL 1200 N Sportster NIGHTSTER	1200			2007		F		
XL 1200 R ROADSTER	1200			2004	2008	F		
XL 1200 X Forty Eight	1200			2010		F		
FDB2181	HARLEY DAVIDSON			XL 833 N Iron 883	883	2012		R
		XL 883	883	2004	2008	R		
		XL 883 C CUSTOM	883	2004	2008	R		
		XL 883 L Sportster LOW / SuperLOW	883	2005		R		
		XL 883 N Iron	883	2010		R		
		XL 883 R ROADSTER	883	2005	2007	R		
		XL 1200 C Sportster CUSTOM	1200	2004		R		
		XL 1200 L LOW	1200	2006	2008	R		
		XL 1200 N Sportster NIGHTSTER	1200	2007		R		
		XL 1200 R ROADSTER	1200	2004	2008	R		
		XL 1200 X Forty Eight	1200	2010		R		
		XR 1200	1200	2008	2010	R		
XR 1200 X	1200	2010		R				
FDB2182	HONDA	CBR 600 RR	600	2005	2006	F		
		CBR 600 RR / Lim. Ed. / Fireblade Repsol	600	2007		F		
		CB 1000 R (No ABS)	1000	2009		F		
		CBR 1000 FIREBLADE	1000	2004	2005	F		
		CBR 1000 FIREBLADE RR / Hanspree Ed.	1000	2006		F		
		TRX 420 FA/FPA P.S.Fourtrax Rancher	420	2009	2010	R		
FDB2183	HONDA ATV	TRX 450 R/ER	450	2004	2009	R		
		TRX 650 FA Rincon / FGA Fourtrax Rincon Gpscape	650	2003	2005	R		
		TRX 680 Fourtrax Rincon	680	2006	2010	R		
		TRX 680 Fourtrax Rincon Gpscape	680	2006	2009	R		
		CR 50	50	2010		F/R		
		SM 50	50	2010		F/R		
FDB2184	KTM	SX 50 ADVENTURE SENIOR	50	2004		F		
		SX 50 PRO JUNIOR / SENIOR LC	50	2002	2003	F		
		SX 50 PRO JUNIOR / SENIOR LC	50	2002	2003	F		
		SX 50 PRO SENIOR LC	50	2004		F/R		
		SX 65	65	2004	2009	R		
		R2 / R3	50	2003		F/R		
	FDB2185	LEM	250 DVX	250	2006	2008	F	
			250 Utility 2 x 4	250	2006	2009	F/R	
			300 DVX	300	2009	2010	F	
			DS 250	250	2006	2007	F/R	
			DS 250	250	2007	2009	F/R	
			250 XS	250	2006		F	
FDB2185		BOMBARDIER ATV	KXR 250 MONGOOSE	250	2004	2009	F	
			MXU 250	250	2004	2010	F	
			URBAN 250	250	2006	2007	F	
			MAXXER 300	300	2005		F	
			Mongoose 300	300	2006	2010	F	
			MXU 300	300	2005	2009	F/R	
	CAN AM ATV	MXU 400	400	2008		F/R		
		MXU 500 4x4 (All models)	500	2006	2010	F/R		
		UUV 500 4x4 (All models) - side by side	500	2008	2010	F/R		
		Quadlander 300	300	2007	2010	F/R		
		Quadlander 600	600	2008	2010	R		
		Outback 425 C 4x4	425	2007	2009	F/R		
CPI ATV	Outback 425 Real Tree Camo Edition 4x4 Auto	425	2007	2009	F/R			
	Outback 425 SE 4x4 Auto	425	2007	2009	F/R			
	KYMCO ATV	YZ-R 125	125	2008		R		
		YZF-R 125	125	2008		R		
		SYM ATV	QUATTRONOVE X	50	2010		F	
			Outback 425 C 4x4	425	2007	2009	F/R	
Outback 425 Real Tree Camo Edition 4x4 Auto			425	2007	2009	F/R		
Outback 425 SE 4x4 Auto			425	2007	2009	F/R		
YZ-R 125	125		2008		R			
YZF-R 125	125		2008		R			
TGB ATV	QUATTRONOVE X	50	2010		F			
	Outback 425 C 4x4	425	2007	2009	F/R			
	Outback 425 Real Tree Camo Edition 4x4 Auto	425	2007	2009	F/R			
	Outback 425 SE 4x4 Auto	425	2007	2009	F/R			
	YZ-R 125	125	2008		R			
	YZF-R 125	125	2008		R			

3040

B = Bike
A = ATV
S = Snowmobile

FERODO
MOTORCYCLE PADS

Updated on 11th Oct 2013

B = Bike
A = ATV
S = Snowmobile



CC FROM TO FRONT / REAR

Code	Brand	Model	CC	FROM	TO	FRONT / REAR		
...FDB2185	BETA	B M4 Supermotard	350	2006		F		
		B M4 Supermotard 350	350	2004	2006	F		
FDB2186	PIAGGIO	B NEXUS 300	300	2009		F/R		
		B FUOCO 500	500	2009		R		
		B CORNABY 125	125	2008		R		
		B MP3 Hybrid 125	125	2010		R		
		B X9 125 Evolution (right)	125	2004		F		
		B X-EVO 250 ie	250	2008		R		
		B X7 250	250	2008		F/R		
		B X9 250 Evolution (right)	250	2004	2005	F		
		B X9 250 Evolution (right)	250	2005	2005	F		
		B MP3 LT 300 ie	300	2010		R		
		B X7 EVO 300	300	2010		R		
		B X-EVO 400 ie (right)	400	2008		F/R		
		B MP3 500	500	2010		R		
		B MP3 Sport 500	500	2010		R		
FDB2187	KYMCO	B PEOPLE 250	250	2004	2005	R		
FDB2188	KAWASAKI ATV	A KVF 650 BRUTE FORCE (left)	650	2005	2007	F		
		A KVF 650 PRAIRIE (left)	650	2002	2003	F		
		A KFX 700 (left)	700	2004	2009	F		
FDB2189	POLARIS SNOWMOBILE	S ALL MODELS WITH PHANTOM BRAKES		2003		R		
FDB2190	CAGIVA	B CITY 50	50	1995		F		
		B PASSING 50	50	1995		F		
		B STELLA 50	50	1997		F/R		
		B PASSING 125	125	1993	1997	F		
		B KRS 50	50	2002		F		
		B FREELAND 125	125	2002		F		
		B JOKER 125	125	2002		F		
		B FREELAND 150	150	2002		F		
		B JOKER 150	150	2002		F		
		PGO	B BIG MAX 50 S	50	2003	2004	F	
			B PMX 50	50	2000	2004	F	
			B T-REX 50	50	1999	2004	F	
	B PMX 110		110	2000	2004	F		
	B T-REX 110		110	1999	2004	F		
	B CHARGE 125 A / B		125	2001	2002	F		
	SYM	B I-CHARGE 125	125	2003	2004	F		
		B MY BUBU 100 / 125	125	2003	2004	F		
		B T-REX 125	125	1999	2004	F		
		B YOUNG BUBU 125	125	2003	2004	F		
		B T-REX 150	150	1999	2004	F		
		B JET 50	50	1999		F		
		B JUNGLE 50	50	1999	2002	F		
		B MASK 50	50	2000		F		
		B RED DEVIL 50	50	1999		F		
		B SUPER FANCY 50 (G5H-6/H325)	50	1996	2002	F		
		B JET 100	100	1999		F		
		B ATTILA 125	125	1999	2000	F		
		B MEGALO 125	125	2000		F		
		B SUPER DUKE 125 / 150	125	1999	2000	F		
	B SUPER DUKE 150	150	1999		F			
	B HD 200 EVO Euro 2-3 / EVO 1 Euro 2-3	200	2005		F			
	B JOYRIDE EVO	200	2009		F			
	FDB2191	CPI	B OLIVER 50	50	2003	2005	F	
			B POPCORN 50	50	2003		F	
			B HUSSAR 50 / 125 / 150	125	2003		F	
		KYMCO	B HEROISM 50	50	1995	1997	F	
			B HEROISM 125	125	1995	1997	F	
	B HEROISM 150	150	1995	1997	F			
	FDB2192	HONDA	B NH 50 LEAD	50	1988	1992	F	
			B NH 80 LEAD	80	1988		F	
			B RS 125 R	125	1991	1994	R	
			B RS 250	250	1993	1994	R	
B MANBOY 50			50	1995		F		
B SP 90 YUP			90	1995		F		
KYMCO		B BULLET 50	50	1993		F		
		B FEEL BIG 50	50	1998	2002	F		
		B PURE 50	50	1998	2002	F		
		FDB2193	YAMAHA ATV	A YFM 660 Ducks Unlimited Ed.-side by side	660	2006	2007	R
				A YFM 660 GRIZZLY	660	2002	2008	R
			FDB2194	YAMAHA	B TZ 125	125	1997	
B TZ 250 (Radial Caliper)	250				2002		R	
B TZ 250 A - GP	250				1990	2001	R	
B TZR 250 R	250				1994		R	
FDB2195	HONDA ATV	A TRX 500 FA/FAA Fourtrax Foreman Rubicon	500	2005	2010	F		
		A TRX 500 FGA Fourtrax Foreman Rubicon Gpscape	500	2005	2009	F		
		A TRX 500 FPA9 Fourtrax Foreman Rub Gpscape EPS	500	2009		F		
		A TRX 500 TM/FE/FA/FAA/FFE/FFM Fourtrax Foreman	500	2005	2010	F		



CC FROM TO FRONT / REAR

Code	Brand	Model	CC	FROM	TO	FRONT / REAR
		A TRX 680 Fourtrax Rincon	680	2006	2010	F
		A TRX 680 Fourtrax Rincon Gpscape	680	2006	2009	F
		A TRX 700 XX (8/XX9)	700	2008	2009	R
FDB2196	HONDA	B CBR 250 R ABS	250	2011		F
		B SH 300 i / ABS	300	2007		F
		B SW-T 400	400	2009		F
		B CBF 500 ABS	500	2004	2007	F
		B CB 600 HORNET ABS	600	2007		F
		B CBF 600 N / S / ABS	600	2008		F
		B SW-T 600 ABS	600	2011		F
		B DEAUVILLE TRAVEL	680	2007		F
		B DN-01 Sports Cruiser	680	2009		F
		B NT 700 DEAUVILLE 680 / ABS	680	2006		F
		B TRANSALP 680	680	2008		F
		B NC 700 D Integra	700	2012		F
		B NC 700 SA,XA (manual gearbox - ABS)	700	2012		F
		B NC 700 SD,XD (automatic gearbox - ABS)	700	2012		F
		B SHADOW ABS 750	750	2010		F
		B CROSSRUNNER	780	2011		F
		B VFR 800	800	2006		F
		B CBF 1000 / Special Ed. (ABS System)	1000	2006		F/R
		B CBF 1000 / ST	1000	2011		F
		B XL 1000 VARADERO A4 (ABS)	1000	2004		F
B CB 1100	1100	2013		F		
B CROSS TOURER	1250	2012		F		
B CB 1300 S	1300	2011		F		
B ST 1300 PAN EUROPEAN / ABS	1300	2008		F		
B UH 125 BURGMAN	125	2007		F		
B UX 125 SIXTEEN	125	2008		F		
B UX 150 SIXTEEN	150	2008		F		
B UH 200 BURGMAN	200	2008		F		
B VLR 1800 INTRUBER C1800 R/RT	1800	2008		F		
FDB2197	SUZUKI	B RM 85 L	85	2005		R
FDB2198	MV AGUSTA	B F4 750 Brutale	750	1999		R
		B BRUTALE 910 / Hydrogen	910	2007		R
		B BRUTALE 910 R / Starfighter	910	2006		R
		B BRUTALE 989 R	989	2008		R
		B BRUTALE 990 R	990	2010		R
		B F4 1000	1000	2003	2005	R
		B F4 1000 R (1+1)	1000	2006	2007	R
		B F4 Stealth Italian Flag	1000	2010		R
		B F4 Stealth Italian Flag	1000	2010		R
		B BRUTALE 1078 R	1078	2008		R
		B BRUTALE 1078 R	1078	2008		R
		B F4 312 R	1078	2007		R
		B F4 312 R	1078	2007		R
		B F4 RR 1078	1078	2008		R
B F4 RR 1078	1078	2008		R		
B BRUTALE 1090 RR	1090	2010		R		
B BRUTALE 1090 RR	1090	2010		R		
FDB2200	MBK	B SKYLINER 400	400	2004		R
		B YP 400 MAJESTY	400	2004		R
		B YP 400 MAJESTY	400	2005	2008	R
		B XP 500 T MAX	500	2004	2007	R
		B XP 500 T MAX	500	2008	2011	R
		B XP 500 T MAX SV (Tech Max)	500	2011		R
B XP 500 T MAX SV ABS (Tech Max)	500	2011		R		
FDB2201	APRILIA	B RS4 50 (Rear AJP caliper)	50	2011		F
		B RS4 50 (Rear JJ caliper)	50	2011		F
		B RS4 125 4T (Rear AJP caliper)	125	2011		F
		B RS4 125 4T (Rear JJ caliper)	125	2011		F
		B GPR 50	50	2010		F
		B GPR 125	125	2010		F
B GPR 125 / NUDE (Radial Caliper)	125	2004	2009	F		
FDB2202	HARLEY DAVIDSON	B FLSTC Heritage Softail® Classic	1340	2000	2007	R
		B FLSTF Fat Boy®	1340	2000	2007	R
		B FLTR Road Glide® (all models)	1340	2005	2006	F/R
		B FXST Softail® Standard	1340	2006	2007	R
		B FXSTB Night Train®	1340	2006	2007	R
		B FXSTD Softail® Duece®	1340	2000	2007	R
		B FXSTS / FXSTSI Springer Softail®	1340	2006		R
B FLST Heritage Softail®	1450	2006		R		
B FLSTSC Springer® Classic	1450	2006	2007	R		
FDB2203	KAWASAKI	B ZX 6RR (ZX 599 B1) - Racing Applications	599	2003	2006	F
		B ZX 6R (ZX 636 K1) - Racing Applications	636	2003	2006	F
		B ZX-10R 1000 - Racing Applications	1000	2004		F
		B ZX-12R 1200 - Racing Applications	1200	2004		F
		B GSX R 1000 K3 - Racing Applications	1000	2003		F
	SUZUKI	B				

B = Bike
A = ATV
S = Snowmobile

B = Bike
A = ATV
S = Snowmobile



			CC	FROM	TO	FRONT / REAR		
FDB2204	SUZUKI	B	GSX-R 600 - Racing Applications	600	2004	2005	F	
		B	GSX-R 600 - Racing Applications	600	2006		F	
		B	GSX-R 750 - Racing Applications	750	2004	2005	F	
		B	GSX-R 750 - Racing Applications	750	2006		F	
		B	GSX-R 1000 - Racing Applications	1000	2004	2008	F	
		B	GSX-R 1000 - Racing Applications	1000	2009		F	
FDB2205	HONDA	B	CBR 600 RR - Racing Applications	600	2005		F	
		B	CBR 1000 FIREBLADE - Racing Applications	1000	2004		F	
FDB2206	BETA	B	RR 50 ENDURO / Racing	50	2005		R	
		B	RR 50 MOTARD Racing Ed.	50	2008		R	
		B	ALP 125 4T	125	2005		R	
		B	RR MOTARD 125 4T	125	2006		R	
		B	URBAN 125 / Rebel 125	125	2008		R	
		B	ALP 200 4T	200	2005		R	
		B	URBAN 200	200	2008		R	
		B	ALP 4.0 350 4T	350	2005		R	
		B	M4 Supermotard	350	2006		R	
		FDB2207	PIAGGIO	B	MP3 125 ie	125	2006	
B	X8 125			125	2005		R	
B	MP3 250			250	2007		R	
B	X8 250			250	2006		R	
B	X9 250 Evolution (right)			250	2005	2005	R	
B	MP3 LT 400 ie			400	2009		R	
FDB2208	YAMAHA	B	X-MAX 125	125	2008		F	
		B	CELLOW 225	225	2005		F	
		B	X-MAX 250	250	2007		F	
FDB2210	HARLEY DAVIDSON	B	All Touring Models		2008		F/R	
		B	VRSCD X night Rod Special	1250	2010		F/R	
		B	VRSCF V-Rod Muscle	1250	2010		F/R	
		B	VRSC V-Rod® (All Models)	1340	2006	2008	F/R	
		B	FLHR Road King® (all models)	1450	2008		F/R	
		B	FLHT Electra Glide® (all models)	1450	2008		F/R	
		B	FLHX Street Glide®	1450	2008		F/R	
		B	FLTR Road Glide® (all models)	1450	2008		F/R	
		B	FLHTC Electra Glide Classic	1690	2010		F/R	
		B	FLHTK Electra Glide Ultra Ltd.	1690	2010		F	
FDB2211	HONDA	B	S-WING 125	125	2009		F	
		B	SH 125	125	2009		F	
		B	S-WING 150	150	2008		F	
		B	SH 150	150	2008		F	
		B	FORZA 250 / X	250	2005		F	
FDB2212	HONDA	B	S-WING 125	125	2009		R	
		B	SH 125	125	2009		R	
		B	SH 125i	125	2013		R	
		B	S-WING 150	150	2008		R	
		B	SH 150	150	2008		R	
		B	SH 150i ABS	150	2013		R	
		B	FORZA 250 / X	250	2005		R	
		B	SH 300 i / ABS	300	2007		R	
		B	SW-T 400	400	2009		R	
		FDB2213	SUZUKI	B	GSR 600 /A / ABS	600	2006	
B	GSX-R 600			600	2006	2010	R	
B	GSX-R 600 - Racing Applications			600	2006		R	
B	GSX-R 750			750	2006	2010	R	
B	GSX-R 750 - Racing Applications			750	2006		R	
B	GSX-R 1000			1000	2007	2008	R	
B	GSX-R 1000 Yoshimura 2008			1000	2010		R	
B	V-STROM 1000			1000	2013		R	
B	GSX 1300 B-KING / Hyaku			1300	2007		R	
B	GSX-R 1300			1300	2008		R	
B	GSX-R 1300 HAYABUSA			1300	2008		R	
B	GSX-R 1300 HAYABUSA ABS			1300	2013		R	
B	B-KING			1340	2010		R	
FDB2214	ARCTIC CAT ATV			A	F-series Diamond Drive		2005	
FDB2216	APRILIA	B	RS 125	125	2006		F	
		B	SL 750 SHIVER ABS / GT	750	2008		F	
		B	SMV 750 Dorsoduro	750	2008		F	
		B	NA 850 MANA ABS / GT	850	2008		F	
FDB2217	YAMAHA	B	YZF 1000 R1	1000	2007		F	
		B	MT-01 1670	1670	2007		F	
		B	V-MAX	1680	2008		F	
FDB2218	APRILIA	B	RSV4 Factory /APRC SE /R	1000	2008		F	
		B	RSV4 Factory /APRC ABS	1000	2013		F	
		B	RSV4 R /APRC ABS	1000	2013		F	
		B	DB7 Oronero Millenovantotto	1098	2009		F	
		BIMOTA	B	HP2 Sport 1200	1200	2008		F
		BMW	B	Superbike 848 EVO (Racing Vers.) / Corse	848	2011		F
		DUCATI	B	Desmosedici RR (Lim. Ed.)	1000	2008		F



			CC	FROM	TO	FRONT / REAR						
FDB2219	YAMAHA	B	1098 /1098 S / 1098 R Bayliss Lim. Ed.	1098	2007		F					
		B	STREETFIGHTER S	1099	2011		F					
		B	HYPERMOTARD 1100 SP / EVO SP / Corse ed.	1100	2010		F					
		B	HYPERMOTARD 1100S	1100	2007		F					
		B	Streetfighter / S	1100	2010		F					
		B	SUPERBIKE 1198 / S / S Corse / R / SP	1198	2009		F					
		B	1199 Panigale S	1199	2012		F					
		B	DIAVEL 1200	1200	2011		F					
		KTM		B	690 DUKE R	690	2013		F			
				B	990 SMR	990	2010		F			
				B	990 SUPERDUKE	990	2010		F			
				B	1190 RC8	1190	2008		F			
				B	SUPERDUKE R 1290 PROTO	1190	2013		F			
				MOTO GUZZI		B	GRANFERRIO 1200	1200	2010		F	
						B	V12 X / Strada	1200	2010		F	
						MV AGUSTA		B	F4 Stealth Italian Flag	1000	2010	F
								B	BRUTALE 1078 R	1078	2008	F
				SUZUKI		B	F4 312 R	1078	2007	F		
		B	F4 RR 1078			1078	2008	F				
		B	BRUTALE 1090 RR			1090	2010	F				
		B	GSX-R 600 - Racing Application			600	2011	F				
		B	GSX-R 750 - Racing Application			750	2011	F				
B	GSX-R 1000	1000	2012			F						
TRIUMPH		B	DAYTONA 675 R - Racing Application			675	2011	F				
		B	SPEED TRIPLE R 1050			1050	2012	F				
		B	YZ 125			125	2008	F				
FDB2220	KAWASAKI	B	YZ / WR 250			250	2008	F				
		B	YZ 250 F	250	2007	F						
		B	YZ 450 F	450	2008	F						
		B	ZX 6R 600 NINJA	600	2007	F						
FDB2221	HONDA	B	Z 750 R	750	2011	F						
		B	Z 1000	1000	2007	2009	F					
		B	Z 1000 / SE	1000	2012		F					
		B	Z 1000 SX	1000	2012		F					
		B	1400 GTR	1400	2007	2011	F					
		B	1400 GTR	1400	2012		F					
		B	ZZR 1400	1400	2006		F					
		B	CBR 600 F / ABS	600	2011		R					
		B	CBR 600 RR / Lim. Ed. / Fireblade Repsol	600	2007		R					
		B	CBR 1000 FIREBLADE RR / Hanspree Ed.	1000	2006		R					
KAWASAKI		B	ZX 6R 636 NINJA	636	2013		R					
		B	ZX-10R 1000	1000	2011		R					
		B	GSX-R 600	600	2011		R					
		B	GSX-R 600 - Racing Application	600	2011		R					
		B	GSX-R 750	750	2011		R					
		B	GSX-R 750 - Racing Application	750	2011		R					
		B	GSX-R 1000	1000	2009	2011	R					
		B	GSX-R 1000	1000	2012		R					
		B	GSX-R 1000 - Racing Applications	1000	2009		R					
		B	GSX-R 1000 Alstare 25° Ann.	1000	2010		R					
FDB2222	YAMAHA	B	CYGNUS X 125	125	2004	2011	F					
		B	CYGNUS X 250	250	2007		F					
FDB2225	KYMCO	B	DOWNTOWN / SUPERDINK 125 i	125	2008		F					
		B	DOWNTOWN 200 i	200	2010		F					
		B	XCITING 250	250	2006		F					
		B	DOWNTOWN / SUPERDINK 300 i	300	2008		F					
		B	PEOPLE S300i (Left Rear Caliper)	300	2008		F					
		B	XCITING 300 Ri	300	2008		F					
		B	XCITING 300 Ri	300	2010		F					
		B	XCITING 500 / 500i	500	2005		F					
		B	XCITING 500 Ri	500	2010		F					
		B	MYROAD 700i	700	2008		F/R					
FDB2226	KYMCO	B	MOVIE 125 (4T)	125	2008		F					
		B	XCITING 300 Ri	300	2010		R					
		B	XCITING 500 Ri	500	2010		R					
		B	GTS 125	125	2006	2009	F/R					
		B	GTS 125 i	125	2010		R					
		B	HD 125	125	2005	2006	R					
		B	HD 125 EVO EURO3	125	2010		R					
		B	JOYRIDE (Euro2 - Euro3)	125	2005		R					
		B	JOYRIDE 125 EURO2	125	2005	2006	R					
		B	JOYRIDE Evo	125	2010		R					
SYM		B	HD 200 EVO Euro 2-3 / EVO 1 Euro 2-3	200	2005		R					
		B	JOYRIDE EVO	200	2009		R					
		B	GTS 250	250	2007		R					
		B	JOYMAX 250	250	2006	2007	R					
		B	JOYMAX 300 EVO / EVO I	300	2009		R					



		CC		FROM TO		FRONT / REAR		
FDB2256	HONDA	B	NSC 50	50	2012	F		
		B	NSC 110	110	2011	F		
		B	SCV 110	110	2010	2011	F	
		B	PCX 125	125	2010	F		
		B	Satelis 125	125	2013	F		
FDB2257	HUSQVARNA	B	CR 65	65	2010	R		
		B	Freeride Electric		2012	R		
		B	SX 85	85	2012	R		
		B	SX 85 (17/14")	85	2011	R		
B	350 XC Freeride	350	2012	R				
FDB2258	KAWASAKI	B	Z800 (ADS)	800	2013	R		
		B	Z800 ABS (BDS)	800	2013	R		
		B	Z800 E (CDS)	800	2013	R		
		B	Z800 E ABS (DDS)	800	2013	R		
		B	GLADIUS 650	650	2008	R		
FDB2259	HONDA	B	VFR 1200 F (Manual Transmission)	1200	2010	F		
		B	VFR 1200 FD -DCT (Automatic Transmission)	1200	2010	F		
FDB2260	APRILIA	B	RSV4 Factory /APRC SE /R	1000	2008	F		
	BIMOTA	B	DB7 Oronero Millenovantotto	1098	2009	F		
	BMW	B	HP2 Sport 1200	1200	2008	F		
	DUCATI	B	Superbike 848 EVO (road version)	848	2011	F		
		B	Desmosedici RR (Lim. Ed.)	1000	2008	F		
		B	1098 /1098 S / 1098 R Bayliss Lim. Ed.	1098	2007	F		
		B	STREETFIGHTER S	1099	2011	F		
		B	HYPERMOTARD 1100 SP / EVO SP / Corse ed.	1100	2010	F		
		B	HYPERMOTARD 1100S	1100	2007	F		
		B	Streetfighter / S	1100	2010	F		
		B	SUPERBIKE 1198 / S / S Corse / R / SP	1198	2009	F		
		B	1199 Panigale S	1199	2012	F		
		B	DIAVEL 1200	1200	2011	F		
		HUSQVARNA	B	NUDA 900	900	2012	F	
			B	NUDA 900 ABS	900	2013	F	
		KTM	B	990 SMR	990	2010	F	
			B	990 SUPERDUKE	990	2010	F	
		MOTO GUZZI	B	1190 RC8	1190	2008	F	
	B		GRANFERRO 1200	1200	2010	F		
	MV AGUSTA	B	V12 X / Strada	1200	2010	F		
		B	F4 Stealth Italian Flag	1000	2010	F		
		B	BRUTALE 1078 R	1078	2008	F		
		B	F4 312 R	1078	2007	F		
		B	F4 RR 1078	1078	2008	F		
	SUZUKI	B	BRUTALE 1090 RR	1090	2010	F		
		B	GSX-R 600	600	2011	F		
		B	GSX-R 750	750	2011	F		
		B	GSX-R 1000	1000	2012	F		
		B	GSX-R 1300 HAYABUSA ABS	1300	2013	F		
	TRIUMPH	B	DAYTONA 675 R	675	2011	F		
		B	SPEED TRIPLE R 1050	1050	2012	F		
	FDB2262	KTM	B	Freeride Electric		2012	F	
			B	SX 85	85	2012	F	
			B	350 XC Freeride	350	2012	F	
	FDB2263	POLARIS ATV	A	Ranger EV (Electric) - side by side		2010	2011	F
			A	Ranger 400 - side by side	400	2010	F	
			A	Ranger 500 (Carb) 2x4 -side by side	500	2009	F	
			A	Ranger 500 (EFI) 4x4 H.O. - side by side	500	2009	2011	F
			A	Ranger 500 2x4 - side by side	500	2008	F	
			A	Ranger 500 4x4 EFI - side by side	500	2008	F	
			A	Ranger 500 Crew - side by side	500	2011	F	
			A	Ranger 700 4x4 EFI - side by side	700	2009	F	
			A	Ranger 700 6x4 EFI - side by side	700	2008	F	
			A	Ranger 700 Crew (EFI) 4x4 - side by side	700	2009	F/R	
			A	Ranger 700 XP 4x4 - side by side	700	2010	F	
			A	Ranger 800 6x6 - side by side	800	2008	F	
			A	Ranger 800 Crew - side by side	800	2010	F	
			A	Ranger 800 HD - side by side	800	2010	F	
			A	Ranger 800 RZR-4 - side by side	800	2010	2012	F
			A	Ranger 800 RZR-4 EPS - side by side	800	2012	F	
			A	Ranger 800 XP - side by side	800	2010	F	
			A	Polaris Razor XP900 - side by side	900	2012	F	
			A	Ranger 900 D 4x4 Diesel - side by side	900	2011	F	
			A	Ranger 900 RZR XP - side by side	900	2011	2012	F
	FDB2264	MBK	B	YW Z	125	2010	F	
			B	BW's 125	125	2010	F	
			B	Xenter 125	125	2012	F	
			B	Xenter 150	150	2012	F	
FDB2265	APRILIA	B	CAPONORD 1200	1200	2013	F		
		B	R 1200 GS	1200	2013	F		
		B	HYPERMOTARD 821	821	2013	F		
		B	HYPERMOTARD 821	821	2013	F		



		CC		FROM TO		FRONT / REAR		
FDB2266	HONDA	B	STRADA 821	821	2013	F		
		B	MV AGUSTA Rivale	800	2013	F		
FDB2267	KTM	B	125 DUKE	125	2010	F		
		B	125 DUKE ABS	125	2013	F		
		B	200 DUKE ABS	200	2013	F		
		B	390 DUKE ABS	390	2013	F		
FDB2268	BETA	B	EVO 125 2T	125	2012	R		
		B	EVO 200 2T	200	2012	R		
		B	EVO 250 2T/4T	250	2012	R		
		B	EVO 300 2T/4T	300	2012	R		
FDB2269	HONDA	B	CRE 50 SIX Comp.	50	2007	2012	F	
		B	CRM 50 Derapage Comp.	50	2007	2012	F	
		B	CRE 125 SIX Comp.	125	2010	2011	F	
		B	CRM 125 2T Derapage Comp.	125	2011	2012	F	
		B	CRM 125 4T Derapage Comp.	125	2011	2012	F	
FDB2270	YAMAHA	A	YXR 700 FA/FB/FD RHINO Side x Side (Parking brake)	700	2011	2013	F	
		A	YXR 700 RHINO 4X4 SE (Parking brake)	700	2009		F	
FDB2271	CAN AM ATV	A	DS 450 (2x4/EFI)	450	2008	2012	F	
		A	DS 450 X (2x4/EFI)	450	2008	2009	F	
		A	DS 450 Xxc/Xxm	450	2009	2012	F	
FDB2272	CAN AM ATV	A	DS 450 (2x4/EFI)	450	2008	2012	R	
		A	DS 450 X (2x4/EFI)	450	2008	2009	R	
		A	DS 450 Xxc/Xxm	450	2009	2012	R	
		JOHN DEERE ATV	A	4PX Gator 4x2/4x4 4x4 Trail 9345		2004	2005	F/R
			A	HPX 4 x2 (Petrol) Gator		2010	2011	F/R
			A	HPX 4 x4 / 4 x 4 Trail (Petrol) - Gator		2010	2011	F/R
			A	HPX 4x4 (Diesel) - Gator - (SN040000)		2010		F/R
			A	HPX Gator 4x2/4x4 9446		2004	2008	F/R
			A	TX Gator Utility 9461		2004	2005	F/R
		A	TX Turf Gator 9462		2004	2005	F/R	
		FDB2273	CAN AM ATV	A	Outlander 500 4 x 4 (STD/DPS/XT) - right side	500	2013	
A	Outlander Max 500 4 x 4 (STD/DPS/XT) - right side			500	2013		F/R	
A	Renegade 500 (STD) - right side			500	2012	2013	F/R	
A	Outlander 650 4 x 4 (STD/DPS/XT) - right side			650	2013		F/R	
A	Outlander 800 R 4 x 4 (STD/DPS/XT/XT-P) - right side			800	2013		F/R	
A	Outlander 800 R STD - right side			800	2012		F/R	
A	Outlander 800 R XT - right side			800	2012	2013	F/R	
A	Renegade 800 R STD - right side			800	2012	2013	F/R	
A	Renegade 800 R Xxc - right side			800	2012	2013	F/R	
A	Outlander 1000 4 x 4 (DPS/XT/XT-P) - right side			1000	2013		F/R	
FDB2274	CAN AM ATV	A	Outlander 1000 4 x 4 (LTD) - right side	1000	2013		F/R	
		A	Outlander 1000 4 x 4 (XMR) - right side	1000	2013		F/R	
		A	Outlander 1000 STD - right side	1000	2012	2013	F/R	
		A	Outlander 1000 XT - right side	1000	2013		F/R	
		A	Outlander Max 1000 4 x 4 (DPS/XT/XT-P) - right side	1000	2013		F/R	
		A	Renegade 1000 STD - right side	1000	2013		F/R	
		A	Renegade 1000 Xxc - right side	1000	2013		F/R	
		A	Outlander 500 4 x 4 (STD/DPS/XT) - left side	500	2013		F	
		A	Outlander Max 500 4 x 4 (STD/DPS/XT) - left side	500	2013		F	
		A	Renegade 500 (STD) - left side	500	2012	2013	F	
FRP213	TRIUMPH	A	Outlander 650 4 x 4 (STD/DPS/XT) - left side	650	2013		F	
		A	Outlander 800 R 4 x 4 (STD/DPS/XT/XT-P) - left side	800	2013		F	
		A	Outlander 800 R STD - left side	800	2012		F	
		A	Outlander 800 R XT - left side	800	2012	2013	F	
		A	Renegade 800 R STD - left side	800	2012	2013	F	
		A	Renegade 800 R Xxc - left side	800	2012	2013	F/R	
		A	Outlander 1000 4 x 4 (DPS/XT/XT-P) - left side	1000	2013		F	
		A	Outlander 1000 4 x 4 (LTD) - left side	1000	2013		F	
		A	Outlander 1000 4 x 4 (XMR) - left side	1000	2013		F	
		A	Outlander 1000 STD - left side	1000	2012	2013	F/R	
		A	Outlander 1000 XT - left side	1000	2013		F/R	
		A	Outlander Max 1000 4 x 4 (DPS/XT/XT-P) - left side	1000	2013		F	
FRP405	APRILIA	A	Renegade 1000 STD - left side	1000	2013		F/R	
		A	Renegade 1000 Xxc - left side	1000	2013		F/R	
		B	BONNEVILLE T 400 V E	400	1982	1984	F	
		B	TRIDENT TI 500 V	500	1982	1984	F	
FRP405	APRILIA	B	THUNDERBIRD 650	650	1982	1984	F	
		B	BONNEVILLE 750 TWIN (Lockheed calipers)	750	1982	1984	F	
		B	TIGER 750 TR 7V	750	1976	1981	F	
		B	RS 50 / TUONO 50	50	2006	2008	R	
		B	SX 125	50	2008		R	
ATK (USA)	ATK (USA)	B	TX 125 M	125	1986		F	
		B	TX 300	300	1986		F	
		B	TX 300 M	300	1986		F	
		B	TX 311 M	312	1987		F	
		B	TX 312 M	312	1988		F/R	
		B	TXR 312 M	312	1988		F/R	
		B	all models 1987		1987		R	



CC FROM TO FRONT / REAR

FRONT / REAR	CC	FROM	TO	FRONT / REAR
B	50	1999		F/R
B	50	2000		F/R
B	50	1999		R
B	50	1998		R
B	50	2000		F/R
B	50	1992		F/R
B	50	1996		F/R
B	50	1989		F
B	80	2008		F/R
B	80	2000	2007	F/R
B	125	1999	2003	F/R
B	125	2008		R
B	125	1990		F/R
B	125	1997		F
B	200	2000	2003	F/R
B	240	1996		F
B	240	1992		F
B	250	1997		F/R
B	250	1996		F/R
B	250	1990	1991	F/R
B	50	1998		R
B	250	1999		F/R
B	50	1998		F
B	50	1998		F
B	50	1998		R
B	50	1997		F
B	50	1986		F
B	50	1994		F
B	50	2002	2006	F
B	50	2007		R
B	50	1997	2005	R
B	50	2008	2009	R
B	50	1995		F
B	50	1996		F
B	50	1997		F
B	50	1994		F
B	50	2005	2007	R
B	50	2005		R
B	50	2008		F/R
B	50	1995		F
B	50	2001		F/R
B	80	2008		R
B	125	2004	2009	R
B	125	2005		R
B	50	1989		F/R
B	50	1990		F/R
B	50	1991		F/R
B	125	1989		F/R
B	125	1991		F/R
B	249	1990		F/R
B	250	1991		F
B	250	1991		F/R
B	305	1989		F/R
B	307	1990	1991	F/R
B	50	1991		R
B	80	1989		R
B	320	1986		F
B	250	1996	2001	F/R
B	270	2000	1999	F/R
B	50	2000	2003	F/R
B	50	2005		F/R
B	50	2005		F/R
B	50	1998	2000	F
B	50	1998	2003	F/R
B	50	1997	2003	F/R
B	50	1998		F
B	50	1997		F
B	125	1999		F
B	125	2000	2003	F/R
B	125	1997	2003	F/R
B	125	1999	2003	F
B	125	1998	2000	F/R
B	180	1999		F
B	180	2000	2003	F/R
B	60	1998	1999	F
B	60	2000	2001	F
B	50	1999		F
B	50	1996		F



CC FROM TO FRONT / REAR

FRONT / REAR	CC	FROM	TO	FRONT / REAR
B	50	2005		R
B	50	2003		R
B	50	2003		F/R
B	125	2008		F/R
B	125	2008		R
B	260	1994		F/R
B	310	1990		F/R
B	314	1994		F
B	315	1998		F
B	335	1987		F/R
B	260	1992	1993	F
B	314	1994	1997	F
B	315	1998	2000	F
B	50	2000		F/R
B	50	1998	2002	F
B	50	2003		F/R
B	50	2003		F/R
B	50	2001		F
B	50	2004		F
B	50	1998	2000	F/R
B	50	1997	1998	F
B	50	1996	2001	F
B	50	1998	2003	F
B	50	2000		F/R
B	50	2000		F
B	50	2002		R
B	50	1996	2000	F
B	100	1998		F
B	100	1999	2002	F
B	100	2003		F/R
B	100	2001		F/R
B	100	1998		F
B	100	1998		F
B	100	2000		F/R
B	100	2000		F
B	125	1998	2000	F
B	125	2003		R
B	125	2004		F
B	125	2006		R
B	150	2000		F
B	600	2003		R
B	50	2003	2008	F/R
B	50	2001	2002	R
B	50	2004	2008	R
B	50	2007		R
B	50	2000	2002	R
B	50	2003	2006	F/R
B	50	1997	2002	F/R
B	50	1997	2000	F/R
B	50	2001	2004	R
B	50	2009		R
B	50	2006	2008	F/R
B	50	2002	2008	R
B	50	2005		R
B	50	2002		F/R
B	50	2004		R
B	50	2004		F/R
B	50	2004		R
B	50	2007		R
B	50	2000	2002	R
B	50	2003	2006	F/R
B	50	1997	2002	F/R
B	50	1997	2000	F/R
B	50	2001	2004	R
B	50	2009		R
B	125	2002	2008	R
B	125	2006	2007	R
B	125	2006	2008	R
B	125	2009		R
B	125	2009		R
B	125	2002	2007	R
B	125	2007		R
B	125	2006	2010	R
B	250	2008	2011	R
B	50	1994		F
B	50	1994		F
B	50			F
B	80	1994		F
B	80			F
B	50	1998		F
B	50	1998		F
B	50	1989		F

B = Bike
A = ATV
S = Snowmobile

B = Bike
A = ATV
S = Snowmobile



...FRP405

			CC	FROM	TO	FRONT / REAR	
		B	RMX 50	50	2000	2001	F/R
		B	SMX 50 SUPER MOTARD	50	2000	2003	F/R
		B	UF 50 ESTILETE	50	2000	2002	F
		B	UX 50 ZILLION	50	1998	2002	F
	YAMAHA	B	DT 50 R	50	2002	2007	R
		B	TZR 50 /Race Replica 07	50	2004		R
		B	TY 250 R	250	1991	1993	F
FRP408	APRILIA	B	RS 250	250	1995	1996	F
		B	RS 250	250	1997		F
	ATK (USA)	B	500 / 600 Dirt Track	500	1998	1999	F
	BETA	B	JONATHAN 125	125	1999	2001	F
		B	JONATHAN 125	125	2002	2005	F
		B	EURO / JONATHAN 350	350	2003	2006	F
		B	EURO 350	350	1999	2001	F
		B	EURO 350	350	2002		F
	BIMOTA	B	YB 7 400	400	1989		F
		B	V DUE 500	500	1997		F
		B	BELLARIA 600 SPORT	600	1991		F
		B	YB 9 600 SRI	600	1997		F
		B	SUPERMONO 650	650	1997		F
		B	SB 7 750	750	1996		F
		B	YB 4 750	750	1989		F
		B	TESI 851 1D	851	1991		F
		B	DB 1 - 2 900	900	1992		F
		B	MANTRA 900	900	1997		F
		B	DB 2 SR 904	904	1994	2000	F
		B	DB 4 904	904	1998	1999	F
		B	TESI 906 1D	906	1991		F
		B	YB 10 1000 BIPOSTO	1000	1992		F
		B	YB 11 1000	1000	1997		F
		B	YB 6 1000	1000	1989		F
		B	YB 8 1000 E	1000	1990		F
		B	YB 8 1000 E.I. FURANO	1000	1990		F
		B	YB 8 FURANO 1000	1000	1992		F
		B	YB 10 DIECI 1002	1002	1991		F
		B	SB 6 1100	1100	1997		F
	CAGIVA	B	MITO 125	125	1993		F
		B	MITO 2 125 PRODUCTION RACER / Trofeo	125	1994		F
		B	MITO 525SP	125	2007		F
		B	PLANET 125	125	1998		F
		B	RAPTOR 125	125	2003		F
		B	RIVER 600	600	1994		F
	DUCATI	B	502 SINGLE	50	1993	1999	F
		B	502 SUPERMONO	50	1993	1999	F
		B	400 MONSTER	400	1995	1997	F
		B	SS 400 JUNIOR	400	1992		F
		B	SS 400 NUDA	400	1992		F
		B	550 SUPERMONO	550	1993	1999	F
		B	600 SUPERSPORT CARENATA	600	1994	1999	F
		B	600 SUPERSPORT NUDA	600	1994	1999	F
		B	M 600 MONSTER	600	1993	1999	F
		B	748 BIPOSTO	748	1995	1997	F
		B	750 ENDURANCE	750	1987		F
		B	750 LAGUNA SECA	750	1987		F
		B	750 SUPERSPORT	750	1992	1997	F
		B	M 750 MONSTER	750	1996	1999	F
		B	SS 750 CARENATA	750	1993	1998	F
		B	SS 750 NUDA	750	1992	1998	F
		B	851 all models	851	1988	1992	F
		B	888 all models	888	1992	1995	F
		B	900 all models	900	1992	1998	F
		B	900 I.E. PASO	900	1992	1998	F
		B	900 SUPERMONO DESMO 4	900	1993	1995	F
		B	M 900 MONSTER	900	1993	1999	F
		B	916 STRADA / SENNA / SP / SPS	916	1994	1997	F
	GASGAS	B	FSE 450 SM	450	2003		F
	GILERA	B	SATURNO 500 PIUMA	500	1990		F
	HONDA	B	TSR 250	250	1999		F
	HUSABERG	B	FE 600 SUPERMOTARD	600	2000	2007	F
	HUSQVARNA	B	SM 450 R	450	2004	2006	F
		B	SM 510 R	510	2004	2006	F
		B	SM 570 R	570	2004		F
		B	SMR 630	630	2004	2006	F
	ITALJET	B	GRIFON 900	900	2001		F
	KTM	B	LC2 STING 125	125	1998		F
		B	THE DUKE 400	400	1994	1998	F
		B	THE DUKE 620	620	1994	1998	F
	LAVERDA	B	650 (all models)	650	1995	1996	F



			CC	FROM	TO	FRONT / REAR	
		B	LYNX 650	650	2000		F
		B	GHOST - DIAMANTE 668	668	1997	1998	F
		B	750 S (all models)	750	1999		F
		B	CUP 750	750	1998		F
		B	DIAMANTE 750	750	1997		F
		B	TTS 800	800	1999		F
		B	JOTA 1000	1000	1995		F
	MOTO GUZZI	B	CALIFORNIA 1000 EV	1000	1999	2001	F
		B	CENTAURO 1000	1000	1996	1999	F
		B	DAYTONA 1000	1000	1991	1994	F
		B	DAYTONA 1000	1000	1995	1998	F
		B	CALIFORNIA 1100	1100	1997	2001	F
		B	CENTAURO 1100 V11 SPORT	1100	1999	2000	F
		B	SPORT 1100	1100	1994	1999	F
	MZ	B	SKORPION REPLICA	660	1995		F
	NORTON	B	FORMULA 1	588	1989	1991	F
		B	FORMULA 1 SPORT	588	1992		F/R
	TM	B	SMR 125 (2T)	125	2005	2011	F
		B	SM 250	250	2002	0000	F
		B	SME 250 (4T)	250	2004	0000	F
		B	SMM 250 (2T)	250	2005	2011	F
		B	SMR 250 (2T)	250	2005	2011	F
		B	SMM 300 (2T)	300	2005	2011	F
		B	SMR 300 (2T)	300	2005	2011	F
		B	SM 400	400	2002	2003	F
		B	SME 400 (4T)	400	2004	0000	F
		B	SMR 450 FES	450	2005	2009	F
		B	530 (4T) Cross	530	2002	2003	F
		B	SM 530	530	2002	2003	F
		B	SME 530 (4T)	530	2004	0000	F
		B	SMR 530 F ES	530	2005	2009	F
		B	SMX 660 F	660	2004	0000	F
	YAMAHA	B	TZR 125 (Italia)	125	1991		F
		B	TZR 125 RED ROCKET	125	1993		F
		B	TZR 250 R	250	1994		F
		B	SZR 660	660	1996	1997	F
FRP416	HONDA	B	CRM 125 (Italy)	125	1990	1999	R
		B	NSR 125 R - F	125	1989	1992	R
		B	NSR 125 RAIDEN	125	1990	1992	R
	HONDA ITALIA	B	NSR 125 R	125	1989		R
	RIEJU	B	MARATHON 450 Motard	450	2010		F
FSB700	BMW	B	R 45 450	450	1978	1981	R
		B	R 50/5 500	500	1969	1975	R
		B	R 60/5 600	600	2000		R
		B	R 60/6 600	600	2000		R
		B	R 60/7 600	600	1976	1978	R
		B	R 65 650	650	2000		R
		B	R 75/5 750	750	2000		R
		B	R 75/6 750	750	1975	1979	R
		B	R 80 800 all models	800	1977	1981	R
		B	R 90 900 S	900	1973	1976	R
		B	R 90/6 900	900	1973	1976	R
		B	R 100 1000 all models	1000	2000		R
FSB701	BMW	B	R 45 450	450	1981	1985	R
		B	R 65 650	650	1989	2000	R
		B	R 65 650 GS	650	1987	1988	R
		B	R 65 650 GS	650	1989	1992	R
		B	R 65 650 LS	650	1981	1985	R
		B	R 80 800 all models	800	1982	1984	R
		B	R 80 800 all models	800	1985	1989	R
		B	R 80 800 all models	800	1989	1995	R
		B	R 80 800 GS / PARIS-DAKAR	800	1981	1986	R
		B	R 80 800 GS / PARIS-DAKAR	800	1987	1995	R
		B	R 80 RT	800	1990	1994	R
		B	R 100 1000 all models	1000	1981	1989	R
		B	R 100 1000 GS / PARIS-DAKAR	1000	1987	1994	R
FSB702	HONDA	B	CRF 50R	50	2004		F/R
		B	NB 50	50	1985		F
		B	NB 50 DELUX	50	1982		F
		B	NB 50 MELODY	50	1982		F
		B	NB 50 MSB	50	1982		F
		B	NC 50 A	50	1982		F/R
		B	NC 50 B	50	1982		F/R
		B	NC 50 C	50	1982		F/R
		B	NC 50 EXPRESS 2	50	1982		F/R
		B	NC 50 EXPRESS 3	50	1982		F/R
		B	NC 50 KI	50	1979		F/R
		B	NC 50 Z EXPRESS	50	1979		F/R

3046

B = Bike
A = ATV
S = Snowmobile

Updated on 11th Oct 2013

B = Bike
A = ATV
S = Snowmobile



CC FROM TO FRONT / REAR

...FSB702

B	ND 50	50	1982		F
B	ND 50 MELODY 2 all models	50	1982		F
B	NE 50 VISION	50	1985		F
B	NP 50 D MELODY MINI	50	1983		F
B	NX 50 A	50	1982		F
B	NX 50 B	50	1982		F
B	NX 50 MB CAREN	50	1982		F
B	OR 50	50	1993		F
B	PC 50 KI	50	1979		F/R
B	QR 50	50	1993		F
B	QR 50 ED	50	1982	1990	F
B	SA 50 ELITE LX	50	1988	1990	F
B	XR 50 R	50	2000		F/R
B	Z 50 all models	50	1979	1991	F/R
PEUGEOT	ST 50	50			F
B	STL 2 50	50			F
SUZUKI	DR-Z 70	70	2008		F/R

FSB703

HERCULES (SACHS)	LIMBO 50	50	1993		F
HONDA	NB 50	50	1985		R
B	NB 50 DELUX	50	1982		R
B	NB 50 MELODY	50	1982		R
B	NB 50 MSB	50	1982		R
B	ND 50	50	1982		R
B	ND 50 MELODY 2 all models	50	1982		R
B	NE 50 VISION	50	1985		R
B	NH 50 LEAD	50	1988	1992	R
B	NH 50 LEAD	50	1993	1994	R
B	NH 50 LEAD	50	1994		R
B	NH 50 LEAD	50	2000		R
B	NP 50 D MELODY MINI	50	1983		R
B	NU 50 MC RUNAWAY	50	1982		R
B	NV 50 MSD STREA	50	1984		F/R
B	NX 50 A	50	1982		R
B	NX 50 B	50	1982		R
B	NX 50 MB CAREN	50	1982		R
B	OR 50	50	1993		R
B	PX 50 all models	50	1982	1983	R
B	QR 50 ED	50	1982	1990	R
B	SA 50 ELITE LX	50	1988	1990	R
B	NH 80 LEAD	80	1988		R
B	NH 80 LEAD	80	2000		R
B	NH 80 LEAD AERO	80	1983	1984	R
B	NH 80 LEAD M D AERO	80	1983	1986	R
B	NH 80 LEAD SCOOTER	80	1985		R
B	NH 80 LEAD SCOOTER	80	1986	1987	R
PEUGEOT	METROPOLIS 50	50			R
B	SC 50	50			R
B	ST 50	50			R
B	STL 2 50	50			R
B	SC 75	75			R
B	SX 75	75			R
B	METROPOLIS 80	80			R
B	SX 80	80			R
PGO	STAR 2 50	50	1994		R
B	STAR 50	50	2000		R
B	BIG MAX 80	80			R
B	STAR 80	80	1990		R
SYM	FIDDLE 50	50	1999		R

FSB704

CAGIVA	PASSING 125	125	1993	1997	R
E-TON ATV	CXL 150 Yukon II/Challenger	150	2002	2009	F
A	RXL 150 Viper	150	2005	2006	F
A	RXL 150 Viper R	150	2005	2009	F
A	YXL 150 Yukon	150	2000	2002	F
HERCULES (SACHS)	GIPSY 50	50	1993		R
B	LIMBO 50	50	1993		R
B	SAMBA SR 50	50	1993		F/R
B	SAMBA SR 80	80	1993		R
B	SAMBA SR 125	125	1993		R
HONDA	C 50 ZZ ZA	50	1975	1993	F/R
B	CB 50 J all models	50	1981		F/R
B	CF 50 CHALY	50	1979		F/R
B	DAX 50	50	1993	1996	F/R
B	MONKEY 50	50	1988		R
B	NH 50 LEAD	50	1993	1994	F
B	NH 50 LEAD	50	2000		F
B	PK 50 WALLAROO DX - STD	50	1990	2001	R
B	QA 50 K1/3	50	1987	1990	F/R
B	SFX 50	50	1995		R



CC FROM TO FRONT / REAR

B	SH 50 CITY EXPRESS	50	1984	1996	F
B	SH 50 SCOOPY / FIFTY	50	1997	2003	R
B	SJ 50 BALI	50	1993	1999	R
B	SKY 50	50	1997		R
B	SKY 50 VETRO	50	2000		R
B	SS 50 ZB2	50	1977	1980	R
B	SS 50 ZK2	50	1975	1977	F/R
B	ST 50	50	1978	1993	F/R
B	ST 50 DAX	50	1993	1996	F/R
B	VT 50 SHADOW	50	1998		R
B	C 70 all models	70	1975		F/R
B	CF 70 C	70	1978	1979	F/R
B	CF 70 K2	70	1978	1980	F/R
B	DAX ST 70	70	1978	1980	F/R
B	NF 75	75	1979		F/R
B	SA 75 VISION	75	1988		F
B	SH 75 SCOOPY	75	1988	1995	F
B	XR 75 K5	75	1979		F
B	YUPY 75	75	1991		R
B	CH 80 ELITE	80	1985	1990	F
B	MBX 80 (ESPANA)	80	1984		R
B	NH 80 LEAD	80	2000		F
B	NH 80 LEAD AERO	80	1983	1984	F
B	NH 80 LEAD M D AERO	80	1983	1986	F
B	SH 80	80	1984		F
B	SH 80 SCOOPY	80	1988		F
B	C 90 C - E - G - M - FG	90	1975		F/R
B	C 90 Z2 - ZZ	90	1975	1991	F/R
B	EZ 90 CUB	90	1990		F/R
B	VT 90 SHADOW	90	1998		R
B	H 100 A - SD	100	1982		F/R
B	SH 100	100	1997	2001	R
B	SJ 100 BALI - EX	100	1998	1999	R
B	SUPRA 100	100	1999		R
B	SUPRA 100	100	2000		F/R
B	CT 110 K/M/P	110	1989	2003	F
B	ANF 125 INNOVA	125	2003	2011	R
B	CG 125	125	1985		R
B	CG 125 all models	125	1977	1984	F/R
B	CH 125 SPACY	125	1983	1997	F/R
B	CH 125 SPACY	125	1998		R
B	MTX 125 R	125	1987	1988	R
B	MTX 125 RII	125	1989		R
B	NH 125 H	125	1983		F/R
B	NH 125 LEAD	125	1983	1987	F/R
B	NH 125 LEAD	125	1988		R
B	NS 125 F all models	125	1985	1990	R
B	NSR 125	125	1988	1989	R
B	NX 125 (ITALY)	125	1990		R
B	XL 125 K3	125	1979		F
B	XL 125 R - S	125	1984		F/R
B	CT 200 E - K	200	1984	1989	F
B	MTX 200 R	200	1987		R
B	XL 200 R	200	1985		R
B	XLR 250 R	250	1985	1988	R
HONDA 3 WHEELERS	ATC 70	70	1976	1977	R
A	ATC 125	125	1984	1987	F
A	ATC 185	185	1980	1983	F
A	ATC 200 (Drum Brake)	200	1981	1986	F
HONDA ATV	TRX 90 (Fourtrax/Sportrax/EX/X)	90	1993	2009	F
A	TRX 125 Fourtrax	125	1985	1988	F
HONDA ITALIA	CB 125	125	1979		R
B	DT 125	125	1987		R
B	MTX 125 R	125	1986		R
B	MTX 125 RALLY SPORT	125	1988		R
B	NS 125 F	125	1985		R
B	NS 125 R SUPER SPORT	125	1987		R
B	XL 125	125	1979		F/R
B	XL 125 L PARIS DAKAR	125	1985		R
B	XL 125 PARIS DAKAR	125	1984	1985	F/R
B	XL 125 R2	125	1987		R
B	XL 200 L	200	1985		R
B	XL 200 L PARIS DAKAR	200	1987		R
B	XL 200 R	200	1983		F/R
B	XL 200 R PARIS DAKAR	200	1984		F/R
B	XL 200 R2	200	1987		R
KYMCO	ACTIVE 50	50	2005	2006	R
B	ACTIVE 50 SR	50	2008		R

B = Bike
A = ATV
S = Snowmobile

FERODO
MOTORCYCLE PADS
Updated on 11th Oct 2013

B = Bike
A = ATV
S = Snowmobile

3047



CC FROM TO FRONT / REAR

...FSB704

CC	FROM	TO	FRONT / REAR
B	AGILITY 50	50 2004 2008	R
B	AGILITY 50 - R10 / R12	50 2006 2008	R
B	AGILITY 50 Basic	50 2007	F/R
B	AGILITY CITY 50 - 16" (4T/2T)	50 2008	R
B	AGILITY RS Naked 50 2T	50 2010	R
B	BET & WIN 50	50 2002 2006	R
B	COBRA 50 / RACER & CROSS	50 1999 2006	R
B	CURIO 50	50 1994	R
B	CX 50	50 1993	F
B	DINK / GRAND DINK 50 / New Dink	50 1997	R
B	DJW 50	50 1994	F
B	DJX 50	50 1991 1992	F
B	DJY 50 / DJY 50 REFINED	50 1993	F
B	FILLY 50	50 1998 2000	F/R
B	FILLY LX 50	50 2000	R
B	HEROISM 50	50 1995 1997	R
B	K 12 50	50 1995	R
B	KB 50	50 1994 2000	R
B	LIKE 50 2T/4T	50 2008	R
B	MANBOY 50	50 1995	R
B	SCOUT 50	50 1998	R
B	SENTO 50	50 2008	R
B	SPACER 50	50 1999	R
B	TOP BOY 50	50 1997 2000	R
B	TOP BOY 50	50 2000	R
B	VITALITY 50 (2T & 4T)	50 2004 2006	R
B	COBRA 100 RACER	100 1999 2003	R
B	TOP BOY 100	100 1997	R
B	LIBERO 111 4T	111 2008	R
B	ACTIV 110 / 125	125 2004	R
B	AGILITY 125	125 2006 2008	R
B	AGILITY 125 FAT / RS 125 (4T)	125 2007	R
B	FREEWAY 125	125 1997	F/R
B	HEROISM 125	125 1995 1997	R
B	FREEWAY 150	150 1997	F/R
B	HEROISM 150	150 1995 1997	R
A	MXer 50	50 2003	F
A	Mxer - MXU 150	150 2003 2010	F
B	BUXI 50	50 1994 1997	R
B	BUXI RS 50	50 1994 1997	R
B	ELYSEO 50	50 1998 2002	R
B	FOX 50	50 1996	R
B	LOOXOR 50	50 2001	R
B	LUDIX 50 (All front disc models)	50 2004	R
B	LUDIX ONE 50	50 2004	F/R
B	METROPOLIS 50	50	F
B	SC 50	50	F
B	SPEEDAKE 50	50 1995 2001	R
B	SPEEDFIGHT 50 M (AJP caliper)	50 1997 1998	R
B	SPEEDFIGHT 50 M (Heng-Tong caliper)	50 1997	R
B	SQUAB 50	50 1996 2001	R
B	SQUAB 50 (Heng-Tong caliper)	50 1996 2001	R
B	SV 50 APS SYSTEM	50 1991	F/R
B	SV 50 GEO	50 1992	R
B	SV 50 GEO (all models)	50 1993	R
B	SX 50	50	F
B	TREKKER 50 ROAD	50 1997	R
B	VIVACITY 50 .	50 1998 2003	R
B	X FIGHT 50 M	50 2000	R
B	ZENITH 50	50 1994 1995	R
B	ZENITH 50	50 1996 2000	R
B	SC 75	75	F
B	SX 75	75	F
B	METROPOLIS 80	80	F
B	SC 80	80	F
B	SV 80 EXECUTIVE	80 1996	R
B	SX 80	80	F
B	ELYSEO 100	100 1998	R
B	TREKKER 100	100 1998	R
B	VIVACITY 100 .	100 1998	R
B	X FIGHT 100 M	100 2000	R
B	LUDIX 125	125 2004	R
B	SV 125 GEO	125 1991 1992	R
B	SV 125 GEO	125 1993	R
B	STAR 2 50	50 1994	F
B	STAR 50	50 2000	F
B	BIG MAX 80	80	F
B	STAR 80	80 1990	F

KYMCO ATV

PEUGEOT

PGO



CC FROM TO FRONT / REAR

SYM

YAMAHA

FSB705 HONDA

CC	FROM	TO	FRONT / REAR
B	CITY HOPPER 50	50 1999 2002	R
B	DD 50 CITY TREK	50 2002	R
B	FIDDLE 50	50 1999	F
B	CINDERELLA 50 / 100	100 1999 2000	R
B	50 FLY ONE	50 1992 1995	R
B	150 FLY ONE	150 1992	R
B	MB 50	50 1982	R
B	MBX 50 SD - SF	50 1983	R
B	MT 50	50 1980	F/R
B	MTX 50 S	50 1983	F/R
B	MXR 50	50	R
B	NSR 50	50 1993 1994	R
B	NSR 50	50 1994 2000	R
B	XL 50	50	F/R
B	NSR 75 / FII	75 1988 2000	R
B	XR 75 K4	75 1975 1979	F/R
B	XR 75 K5	75 1979	R
B	CR 80 R2F	80 1985	F
B	CR 80 RA - RB	80 1980 1981	F/R
B	CR 80 RC	80 1982	F
B	MBX 80	80 1982	R
B	MBX 80 DX	80 1982	R
B	MBX 80 FWD	80 1983	R
B	MBX 80 VOLLUERKLEIDUNG	80 1985	R
B	MCX 80 all models	80 1982 1984	R
B	MT 80 all models	80 1980 1984	F/R
B	MTX 80 all models	80 1982 1984	F/R
B	XR 80 A - B - Z	80 1980 1984	F/R
B	XR 80 RJ	80 1989	F/R
B	C 90	90 1993	F/R
B	YUPY 90 (NH 90)	90 1990	R
B	CB 100 N	100 1978	R
B	XL 100 all models	100 1978	F/R
B	CT 110 K/M/P	110 1989 2003	R
B	CT 110 P	110 1989 2004	F/R
B	CT 110 X	110 2004	F
B	CB 125 J	125 1979	R
B	CLR 125 CITY FLY	125 2000	R
B	CR 125 M2 - 3 - 4	125 1976 1978	F/R
B	CT 125 M2	125 1976 1978	F/R
B	CT 125 M3	125 1976 1978	F/R
B	CT 125 M4	125 1976 1978	F/R
B	MTX 125 R2F	125 1985 1995	R
B	MTX 125 RF	125 1985 1995	R
B	MTX 125 RWD	125 1983 1984	F/R
B	MTX 125 RWF	125 1985 1995	R
B	NX 125	125 1988	R
B	NX 125 TRANSCITY	125 1989 1997	R
B	TL 125	125 1976	F/R
B	XL 125 K3	125 1979	R
B	XL 125 L PARIS DAKAR	125 1989	R
B	XL 125 PARIS DAKAR	125 1989	R
B	XL 125 R	125 1985 1986	R
B	XL 125 R	125 1987 1988	R
B	XL 125 R PARIS DAKAR	125 1984	R
B	XL 125 RC	125 1979 1983	F/R
B	XL 125 SA - B - C - Z - K2	125 1979 1983	F/R
B	CRF 150	150 2003 2007	R
B	XL 185 SA	185 1980 1984	F/R
B	XL 185 SB	185 1980 1984	F/R
B	XL 185 SZ	185 1980 1984	F/R
B	CT 200 E - K	200 1984 1989	R
B	CT 200 P	200 1993 1999	F/R
B	CTX 200	200 2003 2004	R
B	MTX 200 RW	200 1985 1986	R
B	MTX 200 RWD	200 1983 1984	F/R
B	TL 200 J	200	F/R
B	TL 200 X	200	F/R
B	XL 200 R	200 1983 1984	F/R
B	XR 200 A - RB - RC - RD	200 1981 1983	F/R
B	XR 200 R	200 1984 1991	F/R
B	CRF 230 F	230 2003 2007	R
B	RTL 250 SG	250 1986	F/R
B	RX 250 RE	250 1984	R
B	TL 250 F	250 1985	F/R
B	TL 250 KI	250 1979	F/R
B	XL 350 RD	350 1983	R
B	XR 350 RE - RD	350 1984	R



			CC	FROM	TO	FRONT / REAR
...FSB705		B	XR 500 R	500	1984	R
		B	XR 600 R	600	1985	1987 R
		B	XR 600 R	600	1988	1990 R
FSB706	HONDA	B	CB 125 K1 - K5	125	1972	1976 R
		B	CB 125 K6 - S2	125	1976	1977 R
		B	CB 125 RS	125	1983	R
		B	CB 125 T	125	1978	R
		B	CB 125 T2 - TA - TB	125	1979	R
		B	CB 125 TDC - TDE - TDJ	125	1983	1989 R
		B	CB 125 TT	125	1990	R
		B	CD 125 CD	125	1982	R
		B	CD 125 TC	125	1982	R
		B	CM 125 L	125	1982	R
		B	CD 185 T	185	1978	1980 R
		B	CD 200 T	200	1979	1980 R
		B	CM 200 TA - TB	200	1980	1981 R
		B	CB 250 NIGHT HAWK	250	1991	2001 R
		B	CD 250	250	1988	1992 R
		B	CM 250 C	250	1982	R
	HONDA 3 WHEELERS	A	ATC 70	70	1978	1985 R
FSB707	HONDA	B	CD 125 CD	125	1982	F
		B	CD 125 TC	125	1982	F
		B	CM 125 L	125	1982	F
		B	CD 185 T	185	1978	1980 F
		B	CD 200 T	200	1979	1980 F
		B	CM 200 TA - TB	200	1980	1981 F
		B	CL 250 SC	250	1981	F
		B	CM 250 C	250	1982	F
		B	XL 250 K3 - K4	250	1978	1979 R
		B	XL 250 S	250	1982	1990 F
		B	XL 250 S - SZ - SA	250	1978	1981 F
		B	XR 250 Z - SZ - SA	250	1979	1980 F
		B	XL 500 SZ	500	1980	F
FSB708	HONDA	B	CB 250	250	1988	1991 R
		B	CB 250 N	250	1978	1982 R
		B	CB 250 NA - NB	250	1978	1982 R
		B	CB 250 T-DREAM	250	1978	1982 R
		B	CB 250 T-SUPERDREAM	250	1978	1982 R
		B	CM 250 TB	250	1981	R
		B	CB 350 SG	350	1986	R
		B	CB 400 A - HAWK	400	1978	R
		B	CB 400 N - NA - NB	400	1978	1982 R
		B	CB 400 N/F	400	1983	R
		B	CM 400 A	400	1978	1981 R
		B	CM 400 AA	400	1978	1981 R
		B	CM 400 AB-TA	400	1978	1981 R
		B	CM 400 T	400	1978	1981 R
		B	CM 400 TB	400	1978	R
		B	CM 400 TC	400	1978	1981 R
		B	CM 400 TZ	400	1978	R
		B	CB 450 N	450	1985	R
		B	CBX 450 S	450	1987	R
		B	CMX 450 CG REBEL	450	1986	1988 R
		B	VT 500 CD - FT	500	1982	R
		B	VT 500 ED - EF - C	500	1983	R
FSB709	HONDA	B	CA 125 REBEL	125	1995	1997 R
		B	CA 125 REBEL	125	1998	R
		B	VT 125 SHADOW	125	1999	R
		B	CMX 250 C REBEL	250	1996	2000 R
		B	XL 250 S	250	1982	1990 R
		B	XL 500 R - RC	500	1982	R
		B	XL 500 R PARIS DAKAR	500	1983	R
		B	XL 500 SZ	500	1980	R
		B	XR 500 R	500	1983	1984 R
		B	XR 500 R - RB	500	1981	1983 R
		B	XR 500 SA - SZ	500	1979	1980 R
		B	XL 600 LD - PARIS DAKAR	600	1983	1984 R
		B	XL 600 LM-RM-R-V-L	600	1985	1990 R
		B	XL 600 R - RD - RE	600	1983	1984 R
		B	XL 600 V TRANSALP	600	1987	1990 R
FSB710	HONDA	B	CB 650 A - Z	650	1979	1981 R
		B	CB 650 B	650	1979	1981 R
		B	CB 650 SCC NIGHTHAWK	650	1982	R
		B	CB 750 K1 - K6	750	1971	1977 R
		B	CB 750 K7 - K8	750	1978	R
		B	CB 750 KZ	750	1980	R
		B	CB 750 SC NIGHTHAWK	750	1982	1983 R
FSB711	HONDA	B	CB 500 K1 - K2 - T	500	1975	1977 R



			CC	FROM	TO	FRONT / REAR
		B	CB 500 R/T	500	1994	1996 R
		B	CX 500 CA - CB	500	1979	1981 R
		B	GL 500 DC	500	1982	R
		B	GL 500 SILVER WING INTERSTATE	500	1982	R
		B	NV 600 C	600	1988	R
		B	VLX 600 SHADOW	600	1988	1991 R
		B	VT 600 C SHADOW	600	1988	1993 R
		B	VT 600 C SHADOW	600	1994	2003 R
		B	CB 650 SCD	650	1983	R
		B	CBX 650 ED	650	1983	R
		B	CX 650 ED	650	1982	R
		B	GL 650 D2TE	650	1983	R
		B	GL 650 DD - ID	650	1983	R
		B	VF 700 C MAGNA	700	1984	R
		B	VF 700 S SABRE	700	1984	R
		B	VT 700 C SHADOW	700	1984	1985 R
		B	CB 750 NIGHTHAWK	750	1991	R
		B	VF 750 C	750	1993	R
		B	VF 750 C-SC-CC-F-FC	750	1983	R
		B	VF 750 CH	750	1987	1989 R
		B	VT 750 C SHADOW	750	1983	1985 R
		B	VENOX 250	250	2000	R
	KYMCO	B	VENOX 250	250	2000	R
FSB712	HONDA	B	CAMINO 50 all models	50	1980	F/R
		B	PA 50 all models	50	1980	F/R
		B	PF 50 M	50	1975	F/R
		B	PX 50 all models	50	1982	1983 F
		B	PX 50 E	50	1984	F
	KTM	B	SX 50 ADVENTURE	50	1998	2003 F/R
		B	SX 50 ADVENTURE SENIOR	50	2004	R
		B	SX 50 PRO JUNIOR / SENIOR	50	1998	2001 F/R
		B	SX 50 PRO JUNIOR / SENIOR LC	50	2002	2003 R
		B	SX 50 PRO JUNIOR / SENIOR LC	50	2002	2003 R
	MOTOBECANE	B	all models 50 (mozzi atom)	50	1988	1989 F
		B	all models 50 (mozzi leleu)	50	1988	1989 F
	PEUGEOT	B	103 / 104 / 105 50	50		F/R
		B	ASV 50 (telescopic fork)	50	1993	F/R
	PUCH	B	MAXI 30 30 all models	30		F/R
		B	MAXI 40 40 all models	40		F/R
		B	GTL 50	50		R
		B	MONZA 50 4 GP all models	50		F/R
		B	MONZA 50 4 SL	50		F/R
		B	80 /6	80		R
FSB713	BOMBARDIER ATV	A	DS 50 (2 STROKE)	50	2002	2006 R
		A	QUEST 50	50	2003	2004 R
		A	DS 90 (2 STROKE / 4 STROKE)	90	2002	2006 R
		A	QUEST 90 (2 STROKE / 4 STROKE)	90	2003	2004 R
	CAN AM ATV	A	DS 90 Mini 4 Stroke	90	2007	R
	E-TON ATV	A	IXL 40 Rascal	40	1998	2001 R
		A	RXL-40E Viper Junior	40	2001	2006 R
		A	Viper 40 E	40	1999	2008 R
		A	AXL 90 Thunder	90	1999	2000 R
		A	DXL-90 Sierra	90	1999	2003 R
		A	NXL 90 Thunder	90	2001	2002 R
		A	Viper EXL 150 ST Quad	150	2005	2006 R
		A	Yukon ELX 150	150	2005	2006 R
		A	YXL 150 Yukon	150	2000	2002 R
	HONDA	B	CG 125	125	1985	F
		B	CR 125 RA	125	1979	1981 R
		B	CR 125 RB	125	1979	1981 R
		B	CR 125 RS	125	1979	1981 R
		B	CR 125 RZ	125	1979	1981 R
		B	NX 125	125	1988	F
		B	CH 250 ELITE	250	1985	1990 F/R
		B	CN 250	250	1993	2000 R
		B	CN 250 ELITE	250	1987	1990 F/R
		B	CR 250 RB	250	1981	R
		B	CR 250 RC	250	1982	R
		B	XL 250 RC - RH	250	1982	F
		B	XLX 250	250	1984	F
	HONDA ATV	A	TRX 70 Fourtrax	70	1986	1987 R
FSB714	BS VILLA	B	ZX 50	50	1993	R
	HONDA	B	CR 50 RE - RF	50	1984	F/R
		B	G-DASH 50	50	1989	1992 R
		B	GP 50 DIO	50	1991	1995 R
		B	LIFE DIO 50	50	1994	F/R
		B	NU 50 MC RUNAWAY	50	1982	F
		B	PK 50 WALLAROO DX - STD	50	1990	2001 F
		B	QR 50	50	1993	R

B = Bike
A = ATV
S = Snowmobile

B = Bike
A = ATV
S = Snowmobile



CC FROM TO FRONT / REAR

CC	FROM	TO	FRONT / REAR
FSB714	B SA 50 J VISION MET-IN	50 1988 1990	F/R
	B SAA 50 VISION	50 1993	F/R
	B SR 50 DIO	50 1990	R
	B SR 50 LIFE DIO	50 1994	R
	B SUPER DIO 50 SR	50 1991 1992	R
	B SUPER DIO 50 ZX	50 1992	R
	B TLM 50 F	50 1985	F/R
	B XR 50 DIO BAJA	50 1994	R
	B ZX 50 LIFE DIO	50 1994	R
	B ZX DIO 50	50 1995	R
	B CR 60 R	60 1986	F/R
	B CR 60 RG	60 1986	F/R
	B CRF 70F	70 2004	F/R
	B XR 70 RV	70 1997 2003	F/R
	B SA 75 VISION	75 1988	R
	B CH 80 ELITE	80 1985 1990	R
	B CR 80 RC	80 1982	R
	B CR 80 RD - RE - RF	80 1983 1984	F/R
	B XR 80 R	80 1985	F/R
	B CRF 100R	100 2004	F/R
	B XR 100 R	100 1985 2003	F/R
	B TLR 200 EF	200 1984	F/R
HSC	B HSC 01 50	50 1992	R
	B SR 50 DIO	50 1992	R
	B ZR 50	50 1992	R
	B ZX 50 DIO	50 1992	R
KYMCO	B CX 50	50 1993	R
	B CX 50 SUPER	50 1994 1997	R
	B DJW 50	50 1994	R
	B DJX 50	50 1991 1992	R
	B DJY 50 / DJY 50 REFINED	50 1993	R
	B ZK 50 SUPERFEVER	50 1999	R
	B ZX 50 FEVER	50 1995	R
FSB715	HONDA	B SH 50 CITY EXPRESS	50 1984 1996 R
		B SH 50 SCOOPY	50 1988 1994 F/R
		B SH 75 SCOOPY	75 1988 1995 R
		B SH 80	80 1984 R
		B SH 80 SCOOPY	80 1988 R
FSB716	KAWASAKI	B KD 80	80 1988 1990 R
		B KH 125 A1 -A3	125 1977 1981 R
		B KX 125 B2 - C1	125 1982 1985 R
		B KDX 200 A1 - A2	200 1983 1985 R
		B KDX 200 C1	200 1986 1988 R
FSB717	KAWASAKI	B KE 175 D1 - D5	175 1979 1983 R
		B KDX 200 A1 - A2	200 1983 1985 F
		B KL 250 A3 - A4	250 1980 1984 R
		B KL 250 C1	250 1980 1984 R
		B KLR 250 all models	250 1984 2000 R
FSB718	KAWASAKI	B EL 250 all models	250 1991 1994 R
		B Z 250	250 1983 R
		B Z 250 B1 - B2	250 1980 1983 R
		B Z 250 GP BELT DRIVE	250 1983 R
		B GPZ 305 A1	305 1983 1996 R
		B GPZ 305 B2 - B3	305 1983 1996 R
		B GPZ 305 BELT DRIVE	305 1983 1996 R
		B Z 400 G1	400 1979 R
		B ZR 400 A1 - F	400 1983 R
		B Z 440 A2 - C1	440 1979 1982 R
		B Z 440 C2	440 1981 R
		B Z 440 D2 - D4 LTD	440 1979 1982 R
		B Z 440 D5 LTD	440 1981 1983 R
		B Z 440 H1 - H2	440 1981 1983 R
		B ER-5 500 (ER)	500 1997 2000 R
		B ER-5 500 (ER)	500 2001 R
		B EX 500 all models	500 1987 1991 R
		B GPZ 500 S	500 1987 R
		B GPZ 500 S	500 1988 R
		B Z 500 F	500 1983 R
		B ZR 500 A1	500 1983 R
		B Z 550 F	550 1983 1984 R
		B ZR 550 A1	550 1983 1984 R
		B W 650	650 1999 R
	KAWASAKI ATV	A KLF 185 BAYOU A1 Series	185 1985 2000 R
		A KLF 185 BAYOU A2 / A3 / A4	185 1986 1988 R
		A KLF 220 BAYOU A Series	220 1988 2002 R
		A KLF 250 BAYOU A Series	250 2003 2010 R
		A KLF 300 BAYOU A Series	300 1986 1987 R
		A KLF 300 BAYOU B Series	300 1988 2004 R



CC FROM TO FRONT / REAR

CC	FROM	TO	FRONT / REAR
FSB719	KAWASAKI	B VN 400 CLASSIC	400 1999 R
		B VN 400 VULCAN	400 1995 R
		B Z 400 J1 LTD	400 1980 1981 R
		B Z 400 J2 - J3	400 1981 1983 R
		B ZL 400	400 1986 1987 R
		B LTD450 (EN450 A1-A5)	454 1986 1989 R
		B EN 500 all models	500 1990 1993 R
		B A1 550 LTD	550 1980 R
		B Z 550 A1	550 1980 R
		B Z 550 A3 - C1 - C2 LTD	550 1980 R
		B Z 550 G1 SHAFT	550 1983 R
		B Z 550 GT - SPORT	550 1983 R
		B ZL 600 A1/A2	600 1985 1994 R
		B ZL 600 B1 ELIMINATOR	600 1995 1997 R
		B Z 650 B1 - B3	650 1979 1981 R
		B Z 650 F1	650 1979 1980 R
		B Z 650 F2 - F4	650 1980 1983 R
		B 750 VULCAN	750 1989 1993 R
		B VN 750 TWIN	750 1986 1987 R
		B VN 750 VULCAN	750 1990 1994 R
		B Z 750 LTD TWIN K1	750 1983 R
		B Z 750 Y1 LTD	750 1982 R
		B VN 800	800 1995 1998 R
		B VN 800 CLASSIC	800 1996 R
		B VN 850	850 1995 1999 R
FSB720	SUZUKI	B FZ 50 N - X SUZY	50 1980 1982 F/R
		B S 50 K	50 1993 R
		B CS 80 CD	80 1983 F/R
		B TS 80 X	80 1984 R
FSB721	HYOSUNG	B RX 125	125 2001 2007 R
	KAWASAKI	B KH 100 A2 - A4	100 1978 1981 F
		B KM 100 A4 - A6	100 1978 1981 F
		B AR 125 A1 - LC	125 1982 1994 R
		B BN 125 A1/A2 ELIMINATOR	125 1998 1999 R
		B BN 125 A3/A4 ELIMINATOR	125 2000 R
		B KE 125 A4 - A10	125 1976 1985 R
		B KH 125 EX	125 1982 1983 R
		B KH 125 K1	125 1982 1998 R
		B KH 125 K2-4 - L1	125 1982 1983 R
		B KX 125 A3 - A7	125 1974 1980 R
		B KX 125 B1	125 1981 R
		B KDX 175 all models	175 1980 1982 R
		B Z 200 A1 - A5	200 1977 1982 R
		B Z 200 A6	200 1983 R
		B KLX 250	250 2000 R
		B KX 250 B1	250 1982 R
		B KX 250 B2 - B3	250 1980 1981 R
		B KX 250 C1 - C2	250 1983 1985 R
		B Z 250 C1 - C2	250 1981 1983 R
		B Z 250 G1 - G2	250 1981 1983 R
		B Z 250 LTD	250 1983 R
		B KX 500 A1 - A2	500 1983 1985 R
		B KLR 570	570 1988 R
		B KLR 600	600 1984 1988 R
		B KLR 600 ELECTRIC STARTER	600 1985 R
		B KLR 600 S	600 1992 R
	KAWASAKI 3 WHEELERS	A KLT 110 A1 / A2 / A3	110 1984 1986 R
		A KLT 160 A1	160 1985 2000 R
		A KLT 185 A1 / A2	185 1986 1987 R
	KAWASAKI ATV	A KLF 110 MOJAVE A / B	110 1987 1988 R
	PGO	B I-CHARGE 125	125 2003 2004 R
		B MY BUBU 100 / 125	125 2003 2004 R
		B T-REX 125	125 1999 2004 R
		B YOUNG BUBU 125	125 2003 2004 R
		B T-REX 150	150 1999 2004 R
	SUZUKI	B RG 80 GAMMA	80 1988 1993 R
		B RG 80 GAMMA	80 2000 R
		B RM 80 X - D - E	80 2000 F
		B TS 90	90 1971 1973 R
		B GP 100 UD - UN - UX	100 1979 1992 F
		B RM 100 A - B - C	100 1976 1978 R
		B TS 100 A - B - C	100 1975 1981 F/R
		B TS 100 ERN - ERT - ERX	100 1975 1981 F/R
		B TS 100 ERZ	100 1982 1987 F
		B TS 100 K - L - M	100 1973 1975 R
		B DR 125 S	125 1986 1993 R
		B DR 125 SD - SZ	125 1982 1984 F/R
		B DR-Z 125	125 2003 2008 F/R

3050

B = Bike
A = ATV
S = Snowmobile

FERODO
MOTORCYCLE PADS
Updated on 11th Oct 2013

B = Bike
A = ATV
S = Snowmobile



CC FROM TO FRONT / REAR

CC	FROM	TO	FRONT / REAR
..FSB721	B	DR-Z 125	125 2003 R
	B	ER 125	125 F/R
	B	GN 125	125 1983 1993 R
	B	GN 125 R	125 1994 2001 R
	B	GP 125 X - XD	125 1977 1984 R
	B	GS 125 D	125 1982 1984 F/R
	B	GS 125 E - KATANA	125 1990 1994 R
	B	GS 125 ESD	125 1983 1994 R
	B	GS 125 ESR / ESX	125 1995 2000 R
	B	GS 125 ESZ	125 1982 R
	B	GS 125 Z	125 1982 1984 F/R
	B	GT 125 N - EN	125 1974 R
	B	GZ 125 MARAUDER	125 2000 R
	B	RG 125 E	125 1982 1984 R
	B	RG 125 W GAMMA	125 1985 1991 R
	B	RM 125 A - B - C - M	125 1975 1978 F/R
	B	RM 125 D - X - Z	125 1981 1983 F
	B	RM 125 N	125 1979 1980 F
	B	RM 125 N - T	125 1979 1980 F
	B	RM 125 X - Z	125 1981 1983 F
	B	RV 125 A - L - M	125 1974 1976 F/R
	B	RV 125 K	125 1973 R
	B	T 125 STINGER	125 1970 1971 F/R
	B	TS 125 A - B - C - C2	125 1973 1981 F/R
	B	TS 125 ERN - ERT - ERX	125 1973 1981 F/R
	B	TS 125 ERZ - FFS	125 1982 1983 F
	B	TS 125 K	125 1972 1972 R
	B	TS 125 L	125 1973 1981 F/R
	B	TS 125 L - LC - XE	125 1984 1987 F
	B	TS 125 M - N	125 1973 1984 F/R
	B	VL 125 INTRUDER	125 2000 R
	B	X4 125	125 R
	B	PE 175 C - CE2 - N	175 1978 1979 F/R
	B	PE 175 T - X	175 1980 1981 F
	B	GT 185 A - B - C	185 1974 1979 R
	B	GT 185 EC - L - M	185 1974 1979 R
	B	TS 185 B - C	185 1974 1981 F/R
	B	TS 185 ERN - ERT - ERX	185 1974 1981 F/R
	B	TS 185 K	185 1973 1973 R
	B	TS 185 L - M	185 1974 1981 F/R
	B	DR 200 K	200 1989 1998 R
	B	GT 200 EN - EX	200 1979 1982 R
	B	GT 200 X 5	200 1979 1982 R
	B	SB 200 N - X	200 1979 1981 R
	B	DR 250	250 1981 1982 F/R
	B	DR 250 S	250 1983 1984 R
	B	DR 250 S	250 1985 R
	B	DR 250 S	250 1986 1989 R
	B	GN 250	250 1993 1997 R
	B	GZ 250 MARAUDER	250 2000 R
	B	RM 250 A - B - C	250 1976 1978 F
	B	TU 250 X	250 1997 2000 R
	B	VL 250 INTRUDER	250 2000 2001 R
	B	RM 400 C	400 1978 1978 F
	B	DR 500 S	500 1989 R
	B	RM 500 D - E	500 1983 1984 R
	B	RM 500 F	500 1985 1986 R
	B	DR 600 R DAKAR-DJEBEL	600 1987 1988 R
	B	DR 600 S	600 1989 R
	B	DR 600 S - SU	600 1985 1986 R
	B	SP 600	600 1985 R
FSB722	HYOSUNG	B KR 110 MASTER	110 2004 R
	KAWASAKI	B AE 50 - A1 - A2	50 1981 1982 F/R
		B AR 50	50 1981 1995 R
		B KMX 50	50 1988 R
		B AE 80 A1 - B1	80 1981 1982 F/R
		B AR 80	80 1981 1982 R
		B KC 100 C1/2/3/4	100 1980 1983 F/R
		B KE 100 all models	100 1979 1991 F/R
		B KH 100 A2 - A4	100 1978 1981 R
		B KH 100 G2 - G3	100 1981 1982 R
		B KH 100 G4	100 1983 R
		B KM 100 A4 - A6	100 1978 1981 R
		B KLX 110 R	110 2002 R
		B KAZER 115 R	115 1998 1999 R
	KAWASAKI 3 WHEELERS	A KLT 110 A1 / A2 / A3	110 1984 1986 F
		A KLT 160 A1	160 1985 2000 F
		A KLT 185 A1 / A2	185 1986 1987 F



CC FROM TO FRONT / REAR

CC	FROM	TO	FRONT / REAR
	A	KLT 200 All Models	200 1981 1984 F
	A	KLT 250 All Models	250 1982 2000 F
	A	KLF 110 MOJAVE A / B	110 1987 1988 F
	B	KRISS 115	115 1999 R
	B	KRISS 115	115 2000 F/R
	B	AP 50	50 1971 1978 F/R
	B	AP 50	50 1995 2002 R
	B	F 50	50 1971 1973 F/R
	B	FR 50	50 1971 1981 F/R
	B	GT 50	50 1977 1980 R
	B	RM 50 C - N - T	50 1978 1980 F/R
	B	TS 50 D all models	50 1979 F/R
	B	ZR 50 KEN - KEX	50 1979 R
	B	FR 70	70 1974 F/R
	B	3 E 80	80 R
	B	FR 80 all models	80 1976 1983 F/R
	B	GT 80 L	80 1981 R
	B	RM 80 N - B - C	80 1977 1979 F/R
	B	TS 90	90 1971 1973 F
	B	A 100 all models	100 1974 1980 F/R
	B	GP 100 C - DEN - N - X	100 1978 1987 R
	B	GP 100 UD - UN - UX	100 1979 1992 R
	B	RM 100 A - B - C	100 1976 1978 F
	B	RM 100 N-T-X	100 1979 1981 F
	B	TS 100 K - L - M	100 1973 1975 F
	B	CS 125 D	125 1983 F/R
	B	RV 125 K	125 1973 F
	B	RV 125 K2/ K3 / K4 VAN VAN	125 2002 R
	B	TS 125 K	125 1972 1972 F
	B	TS 185 K	185 1973 1973 F
	B	PE 250 N	250 1979 1979 F/R
	B	PE 250 X - Z	250 1981 1982 F
	B	PE 400 T	400 1979 1981 F
	B	PE 400 X	400 1979 1981 F
FSB723	KAWASAKI	B KLX 125 A1	125 2003 F
		B KLX 125 L	125 2003 R
	KAWASAKI ATV	A KSF 50 / KFX 50	50 2003 2007 R
	SUZUKI	B OR 50	50 1980 R
		B RM 50 X - Z 50	50 1981 1982 F/R
		B TS 50 XKE-XKG all models	50 1984 2000 R
		B ZR 50 SKX - SLKX	50 1981 1987 R
		B DS 80	80 1993 2000 F/R
		B RM 80 X - D - E	80 2000 R
		B RM 80 XT - XX	80 1980 1981 F/R
		B TS 100 ERZ	100 1982 1987 R
		B TS 125 ERZ - FFS	125 1982 1983 R
	SUZUKI ATV	A LT-A 50 QUADSPORT	50 2002 2005 R
		A LT-Z 50 QUADSPORT	50 2006 2009 R
FSB724	KAWASAKI	B KDX 250 B1	250 1979 R
		B KL 250 A1 - A2	250 1978 1979 R
		B KX 250 A all models	250 1974 1981 R
		B KX 420 A1 - A2	420 1980 R
	SUZUKI	B ADDRESS 125	125 2008 R
		B SB 200 N - X	200 1979 1981 F
		B PE 250 B - C	250 1977 1978 F/R
		B PE 250 T	250 1980 1980 F/R
		B PE 250 X - Z	250 1981 1982 R
		B RM 250 A - B - C	250 1976 1978 R
		B RM 250 N	250 1979 F
		B TS 250 all models	250 1974 1982 F/R
		B TS 250 X all models 250	250 1986 1989 R
		B SP 370 C - N	370 1977 F/R
		B DR 400 ST - SX	400 1979 1981 F/R
		B LS 400 SAVAGE	400 1987 F/R
		B PE 400 T	400 1979 1981 R
		B PE 400 X	400 1979 1981 R
		B RM 400 C	400 1978 1978 R
		B RM 400 N	400 1979 1979 F
		B SP 400	400 1979 F/R
		B ST 400	400 1979 F/R
		B SX 400	400 1979 F/R
		B DR 500 SD - SE	500 1983 F/R
	SUZUKI 3 WHEELERS	A ALT 125 E/F/G	125 1984 1986 R
		A ALT 185 F	185 1985 1987 R
	SUZUKI ATV	A LT 125 E	125 1984 2000 R
		A LT 160 (All models)	160 1989 2004 R
		A LT 185 E/F/G/H	185 1984 1987 R
		A LT 230 GEF/GEG QUADRUNNER	230 1985 1986 R

B = Bike
A = ATV
S = Snowmobile

FERODO
MOTORCYCLE PADS
Updated on 11th Oct 2013

B = Bike
A = ATV
S = Snowmobile

3051



CC FROM TO FRONT / REAR

CC	FROM	TO	FRONT / REAR
FSB724	A	LT-F 230 G/H	230 1986 1987 R
FSB725	B	GN 250 F / J	250 1983 1997 R
	B	GNX 250 E	250 1983 R
	B	GS 250 E	250 1979 1981 R
	B	GS 250 T - TT - TX	250 1979 1981 R
	B	GSX 250 E - ET - EX - EZ - T	250 1979 R
	B	GSX 250 S	250 1985 1990 R
	B	GT 250 EN - ET - EX	250 1978 R
	B	GT 250 X7	250 1978 R
	B	GN 400 TT	400 1980 R
	B	GSX 400 ET - EX - EZ	400 1980 1983 R
	B	GSX 400 L	400 1980 1983 R
	B	GSX 400 TWIN	400 1980 1983 R
	B	GS 425 EN	425 1978 1980 R
	B	GS 450 ET - L - T	450 1980 1980 R
	B	GR 650 - X	650 1983 R
	B	LS 650 P	650 1993 R
	B	LS 650 SAVAGE	650 1987 1999 R
	A	LT-A/F 400 EIGER (All models)	400 2002 2008 R
	A	LT-A/F 400 KING QUAD (Left) - All Models	400 2008 2009 R
	A	LT-F 400 K8 Manual 2WD (Left)	400 2008 R
FSB726	B	CL 50 D LOVE	50 1983 R
	B	CL 50 D SUZY	50 1983 R
	B	CS 50 D	50 1983 1984 F/R
	B	CS 50 Z ROADIE	50 1983 1984 F/R
	A	ALT 50 D/E	50 1983 1984 R
	A	LT 50	50 1984 1987 R
FSB727	A	DXL-90 Sierra	90 1999 2003 F
	A	KSF 50 / KFX 50	50 2003 2007 F
	A	KSF 80 / KFX 80	80 2003 2006 F
	A	KSF 90 / KFX 90	90 2006 2007 F
	B	CARNA 50	50 1990 F
	B	CL 50 D LOVE	50 1983 F
	B	CL 50 D SUZY	50 1983 F
	B	F 50 SUZY	50 F/R
	B	FS 50 T - X SNIP	50 1981 1982 F/R
	A	LT-A 50 QUADSPORT	50 2002 2005 F
	A	LT-Z 50 QUADSPORT	50 2006 2009 F
	A	LT 80 all models	80 1987 2007 F
	A	LT-Z 90 QUADSPORT	90 2006 2010 F
FSB728	B	RG 50 GAG - GAMMA	50 1987 R
	B	S 50 K	50 1993 F
	B	RM 100 N-T-X	100 1979 1981 R
	B	RM 125 N - T	125 1979 1980 R
	B	TS 125 X	125 1988 R
	B	TS 240 X	240 1988 1990 R
FSB729	B	TS 50 XKE-XKG all models	50 1984 2000 F
	B	TS 80 X	80 1984 F
	B	RM 125 N	125 1979 1980 R
	B	TS 125 L - LC - XE	125 1984 1987 R
	B	TX 125 XF	125 1985 R
FSB730	B	CHAMP 50	50 F/R
	B	CA 50 SALIENT	50 1983 1986 F
	B	MA 50 M	50 1981 F/R
	B	MINT 50	50 1996 F
	B	MJ 50 M TOWNY	50 1981 1993 F/R
	B	MS 50	50 1985 1986 F
	B	PW 50 H - J - K	50 1981 2004 F/R
	B	QA 50 POCKE	50 1983 F/R
	B	QB 50 VOGEL	50 1983 F/R
	B	QT 50	50 1980 F/R
	B	SA 50 M - ME PASSOLA	50 1980 1984 F
	B	SH 50 RAZZ	50 1993 F
FSB731	B	Cat 50	50 1998 R
	B	Fox 50 / SILVER FOX 50	50 2000 R
	B	G-Shock 50	50 1998 R
	B	Jet 50	50 1996 R
	B	Pista 50	50 1996 R
	B	Predator 50	50 2000 R
	B	Super Sonic 50	50 2000 R
	B	Thunderbike 50	50 1997 R
	B	Cat 100	100 1998 R
	B	G-Shock 100	100 1998 R
	B	Jet 100	100 1996 R
	B	Predator 100	100 2000 R
	B	Cat 125	125 1998 R
	B	BRANDY 50	50 R
	B	BRANDY 90	90 R



CC FROM TO FRONT / REAR

CC	FROM	TO	FRONT / REAR
	B	HUSSAR 50	50 2001 2002 R
	B	OLIVER 50	50 2003 2005 R
	B	HUSSAR 50 / 125 / 150	125 2003 R
FANTIC	B	PONY 50	50 1993 F/R
	B	PONY 50 SR	50 1993 R
	B	QUEENIE 50	50 1995 R
ITALJET	B	ADLY 50	50 1990 1995 R
KOTIR	B	RS 50	50 1990 F/R
LEM	B	FLASH 50	50 1994 R
	B	GHIBLI 50	50 1990 F/R
MBK	B	BOOSTER 50 NEXT GENERATION	50 1996 1998 R
	B	EVOLIS 50	50 1992 R
	B	OVETTO 50	50 1997 R
	B	ROCKET 50	50 1996 1998 R
	B	SORRISO 50	50 1992 1996 F/R
	B	STUNT 50	50 2000 R
	B	TARGET 50	50 1992 R
	B	X-LIMIT 50	50 1998 2003 R
	B	EVOLIS 80	80 1994 R
	B	XC 125 FLAME	125 1998 R
	B	XC 125 FLAME R	125 1998 R
PGO	B	MY BUBU 50	50 2003 R
POLARIS ATV	A	SCRAMBLER (3 wheeler)	1985 1986 F
	A	TRAIL BOSS 2x4	1985 1987 F
	A	CYCLONE 250 X	250 1987 2000 F
RAPIDO	B	SCRENNNA 50	50 R
YAMAHA	B	50 SPY	50 1996 1998 R
	B	CR 50 TARGET	50 1991 R
	B	CR 50 Z	50 1992 R
	B	CT 50 SUPER SPORT	50 1990 F/R
	B	DT 50 LCD	50 1996 1998 R
	B	DT 50 R	50 1997 R
	B	EW 50 SLIDER	50 2000 2003 R
	B	YE 50 ZEST	50 1992 R
	B	YH 50 WHY	50 1999 R
	B	YN 50 NEO'S / 4T	50 1998 R
	B	YSR 50	50 1986 1987 R
	B	YSR 60	60 1986 1987 R
	B	80 BELUGA	80 2000 F/R
	B	TY 80	80 1983 R
	B	YSR 80	80 1986 R
	B	CR 90 TARGET	90 1991 R
	B	TT-R 90	90 2000 2004 R
	B	RT 100	100 1994 2003 F/R
	B	YB 100	100 1982 1986 R
	B	YB 100	100 1987 1992 F/R
	B	YZ 100 J - K	100 1982 1983 F
	B	SR 125	125 1997 2003 R
	B	SR 125 SE	125 1982 1992 R
	B	TT-R 125	125 2000 F/R
	B	TT-R 125 LW	125 2000 2012 R
	B	TW 125	125 1998 2002 R
	B	XC 125 CYGNUS	125 1996 1997 R
	B	XC 125 CYGNUS T	125 1995 R
	B	TW 200	200 1989 1992 R
	B	TW 200	200 1993 2000 R
	B	TW 200	200 2001 2003 R
	B	SEROW 225 XT	225 1985 1992 R
	B	TT-R 225	225 1999 2002 R
YAMAHA 3 WHEELERS	A	YT 175 J/K	175 1982 1983 F
	A	YTM 200 EK/EL	200 1983 1984 F
	A	YTM 200 ERN	200 1985 2000 F
	A	YTM 200 K/L/N	200 1983 1985 F
	A	YTM 225 DRN/DRS	225 1985 1986 F
	A	YTM 225 DXK/DXL/DXN	225 1983 1985 F
YAMAHA ATV	A	YFM 50 RAPTOR	50 2004 2007 F
	A	YFM 80 BADGER	80 1992 2001 F
	A	YFM 80 GRIZZLY	80 2005 2008 F
	A	YFM 80 RAPTOR	80 2002 2008 F
	A	YFM 100 W/A/B CHAMP	100 1989 1991 F
	A	YFA1 125 BREEZE	125 1989 1991 F
	A	YFA1 125 BREEZE	125 1992 2004 F
	A	YFM 125 GRIZZLY	125 2004 2010 F
	A	YFM 200 (Moto 4)	200 1985 1989 F
	A	YFS 200 BLASTER	200 1988 2002 F
	A	YFM 225 (Moto 4)	225 1986 1988 F
	A	YFB 250 D/E/F TIMBERWOLF	250 1992 1994 F
FSB732	B	POPCORN 50	50 2003 R



CC FROM TO FRONT / REAR

CC	FROM	TO	FRONT / REAR
..FSB732	GARELLI	B GRINTA	50 1995 R
		B PONY 50	50 1992 F/R
		B PONY 50 SR	50 1992 1995 R
		B QUEENIE	50 1995 R
	HONDA	B CN 250 HELIX	250 1986 1987 R
	YAMAHA	B 50 CHAPPY	50 1980 F/R
		B DT 50 M - MX	50 1978 1987 F/R
		B FS 1 50 E	50 1974 1975 F/R
		B FS 1 50 E DX	50 1976 1979 R
		B FS 1 50 SE	50 1981 1982 F/R
		B LB 2 50 M CHAPPY	50 1980 F/R
		B LC 50 M	50 1980 F/R
		B RD 50 M	50 1978 R
		B RD 50 MX	50 1981 1987 R
		B TY 50 M	50 1979 F/R
		B V 50 M - P	50 1974 1982 F/R
		B V 70 A	70 1976 F/R
		B BOP 80 2	80 1980 F/R
		B DT 80 LC	80 1981 F/R
		B DT 80 LC - LC II - N	80 1985 R
		B DT 80 MX - MX-S	80 1981 F/R
		B FS 80 SE	80 1981 1982 F/R
		B RD 80 AIR COOLED	80 1981 1982 R
		B RD 80 LC2 - LCS	80 1982 R
		B RD 80 MX	80 1981 1982 R
		B RX 80 SE	80 1982 R
		B TY 80	80 1977 R
		B V 80	80 1979 1982 F/R
		B YZ 80	80 1977 1979 R
		B V 90	90 1978 F/R
		B DT 100	100 1976 1980 F
		B RS 100	100 1975 1977 F/R
		B RS 100 all models	100 1977 1980 R
		B YB 100	100 1978 1981 F/R
		B YB 100	100 1982 1986 F
		B YZ 100 E - F - G - H	100 1978 1981 F
		B IT 125 G - H - J	125 1980 1982 F
		B TY 125	125 1982 F
		B TY 175	175 1977 1980 F
		B TW 200 T/U/W	200 1987 1988 R
		B TY 250 D - E - F - G	250 1977 1980 F
		B TY 250 R	250 1991 1993 R
		B TY 250 S - RS	250 1984 1990 R
FSB733	APRILIA	B SCARABEO 100 (Minarelli engine)	100 2000 R
	MBK	B NITRO 100	100 2000 2003 R
		B OVETTO 100	100 2000 2002 R
	SACHS	B ROADSTER 125	125 2000 2003 R
	YAMAHA	B DT 80 LC2	80 1993 R
		B RD 80 LC1	80 1982 R
		B TZR 80	80 2000 R
		B DT 100	100 1976 1980 R
		B YQ 100 AEROX	100 2000 R
		B YZ 100 E - F - G - H	100 1978 1981 R
		B YZ 100 J - K	100 1982 1983 R
		B 125 ACTIVE	125 1990 F/R
		B BL 125 BELUGA	125 1985 1987 F/R
		B BL 125 BELUGA	125 1988 1992 R
		B DT 125 (Italia)	125 1986 1987 R
		B DT 125 CHESTERFIELD SCOUT	125 1988 R
		B DT 125 CHESTERFIELD SCOUT	125 1989 R
		B DT 125 E - LC - MX	125 1974 1984 F/R
		B DT 125 LC - R	125 1985 1986 R
		B DT 125 LC TENERE	125 1988 R
		B DT 125 MX (drum brakes)	125 1992 F/R
		B DT 125 TENERE (Italia)	125 1987 R
		B IT 125 G - H - J	125 1980 1982 R
		B RD 125 DX	125 1975 1977 R
		B RD 125 LC	125 1982 1984 R
		B RD 125 LC R	125 1985 1987 R
		B RS 125	125 1975 R
		B RS 125 DX	125 1976 1980 R
		B SR 125 SE	125 1982 1992 F
		B TY 125	125 1982 R
		B TZR 125	125 1987 1989 R
		B XC 125 BELUGA	125 1993 R
		B YZ 125 C - D - E - F - G - H - J	125 1976 1982 R
		B DT 175 MX	175 1974 1983 F/R
		B IT 175 G - H - I	175 1980 1982 R



CC FROM TO FRONT / REAR

CC	FROM	TO	FRONT / REAR
		B TY 175	175 1977 1980 R
		B RT 180	180 1990 1992 R
		B XC 180 GYGNUM	180 1983 1985 F
		B TW 200	200 1989 1992 F
		B XV 240 VIRAGO	240 1991 1992 R
		B SR 250	250 1987 R
		B SR 250 E (Espana)	250 1990 1994 R
		B SR 250 SE	250 1980 1982 R
		B TT 250 S	250 1987 1992 R
		B TY 250 D - E - F - G	250 1977 1980 R
		B XL 250 G	250 1980 R
		B XT 250	250 1980 F/R
		B XV 250 VIRAGO	250 1993 1994 R
		B YZ 250	250 1985 1987 R
		B YZ 250 G	250 1980 R
		B YZ 250 J - K - L	250 1982 1984 R
		B TT 350	350 1986 1990 R
		B XT 350	350 1988 1990 R
		B XT 350	350 1991 R
		B XT 350	350 1992 1995 R
		B XT 350 4 VALVES	350 1986 1987 R
		B IT 490 L	490 1983 1984 R
		B YZ 490 K - L	490 1983 1984 R
		B TT 600	600 1987 1992 R
		B TT 600 L	600 1983 1984 R
		B TT 600 N	600 1985 2000 R
		B XT 600 4 VALVES	600 1986 1986 R
		B XT 600 Z TENERE	600 1985 1987 R
	YAMAHA ATV	A YFM 80 N/S (MOTO4)	80 1985 1986 R
		A YFM 80 T/U	80 1987 1988 R
		A YFM 100 T/U CHAMP	100 1987 1988 R
		A YFM 100 W/A/B CHAMP	100 1989 1991 R
		A YFA1 125 BREEZE	125 1989 1991 R
FSB734	YAMAHA	B RS 125	125 1975 F
		B XC 180 GYGNUM	180 1983 1985 R
		B RD 200 DX	200 1975 1978 R
		B RS 200	200 1979 F/R
		B RS 200 C	200 1975 1980 R
		B TW 200 T/U/W	200 1987 1988 F
		B DT 250 MX	250 1975 1980 R
		B IT 250 H - J - K	250 1981 1983 R
		B IT 250 L	250 1984 R
		B TY 250 H	250 1981 1983 R
		B YZ 250 H	250 1981 R
		B XT 350 4 VALVES	350 1985 R
		B DT 400 MX	400 1975 1977 R
		B IT 465 H - I	465 1981 1982 R
		B YZ 465 G - H - J - U	465 1980 R
		B YZ 490	490 1985 1987 R
		B YZ 490 J	490 1982 1982 R
		B SR 500	500 1978 1982 R
		B SR 500	500 1993 R
		B XT 500	500 1976 1981 R
		B XT 500 (Austria)	500 1983 R
		B XT 550	550 1982 1983 F/R
		B TT 600 N	600 1985 1988 R
		B XT 600 4 VALVES	600 1984 1985 R
		B XT 600 Z TENERE	600 1983 1984 R
FSB735	YAMAHA	B RD 250 A - B - C	250 1974 1977 R
		B RD 250 LC	250 1980 R
		B RD 250 LC	250 1981 1983 R
		B RD 350 A - B	350 1974 1976 R
		B RD 350 LC	350 1980 R
		B RD 350 LC	350 1981 1982 R
		B RD 350 S	350 1974 1976 R
		B XS 360 B	360 1975 1975 R
		B XS 650	650 1975 1976 R
		B XS 650	650 1977 1981 R
		B XS 650 SE	650 1981 R
FSB736	YAMAHA	B XS 250 C	250 1980 R
		B XS 250 D - E	250 1979 1981 R
		B XS 250 SE - SF SPECIAL	250 1979 1981 R
		B YP 250 MAJESTY	250 1996 1997 R
		B XS 400	400 1979 1979 R
		B XS 400 DOHC	400 1982 R
		B XS 400 SE	400 1980 1981 R
		B XS 400 SPECIAL	400 1982 R
	YAMAHA ATV	A YFM 350 4x4 Grizzly	350 2007 2010 R

B = Bike
A = ATV
S = Snowmobile

FERODO
MOTORCYCLE PADS
Updated on 11th Oct 2013

B = Bike
A = ATV
S = Snowmobile

3053



			CC	FROM	TO	FRONT / REAR		
...FSB736		A	YFM 350 BRUIN (All Models)	350	2004	2006	R	
		A	YFM 350 FW 4WD BIG BEAR	350	1999	2003	R	
		A	YFM 350 FW H/J/K BIG BEAR	350	1996	1998	R	
		A	YFM 400 BIG BEAR (All Models)	400	2000	2007	R	
		A	YFM 400 FW KODIAK	400	1993	1998	R	
		A	YFM 400 KODIAK AUTO	400	2003		R	
		A	YFM 600 GRIZZLY (All)	600	1998	2001	R	
FSB737	YAMAHA	B	YZ 125	125	1985	1987	R	
		B	YZ 125 K - N - L	125	1983	1984	R	
		B	IT 200	200	1984		F/R	
		B	TY 250 S - RS	250	1984	1990	F	
FSB738	MBK	B	ACTIVE 50	50	1990		F	
		B	BOOSTER 50	50	2000		F/R	
		B	BOOSTER 50 / SPIRIT	50	1996		R	
		B	BOOSTER 50 R	50	1994	1995	R	
		B	BOOSTER 50 TRACK	50	1996	1998	R	
		B	FIZZ 50	50	1994		R	
		B	FLIPPER 50	50	1998		R	
		B	FORTE 50	50	1995		R	
		B	ACTIVE 75	75	1990		F	
		B	ACTIVE 80	80	1990		F	
		YAMAHA	B	50 BELUGA	50	1990	1995	F
			B	50 BREEZE	50	1994	1996	R
			B	50 BWS	50	1992	1994	F/R
			B	50 BWS / ZUMA II	50	1995		R
			B	50 GRAFIX	50	1993		F/R
			B	50 TRAFIC	50	1993		F/R
			B	50 ZUMA	50	1996		R
	B		CW 50 RS	50	1995		R	
	B		CY 50 JOG	50	1990	1995	R	
	B		DT 50	50	1988	1992	F/R	
	B		DT 50 R	50	1993	1997	R	
	B		JOG 50	50	1990		F/R	
	B		MINI 50 L SHAFT	50	1983		R	
	B		V 50 M	50	1983		F/R	
	B		YE 50 ZEST	50	1993	1995	R	
	B		80 BELUGA	80	1990		F	
	B		DT 80 (Espana)	80			F/R	
	B		DT 80 LC (Espana)	80	1989		R	
	B		PW 80	80	1991		R	
	B		T 80 TOWNMATE	80	1983	1997	F/R	
	B	V 80	80	1983		F/R		
	B	RX 100	100	1983	1996	F/R		
	B	105 CRIPTON	105	1996	1998	R		
	B	XT 125	125	1976		R		
	YAMAHA 3 WHEELERS	A	YT 60 L/N TRI-ZINGER	60	1984	1985	R	
		A	YF 60 S (MOTO4)	60	1986	2000	R	
		A	YFM 80 T/U	80	1987	1988	F	
	YAMAHA ATV	A	YFM 80 T/U	80	1987	1988	F	
		A	YFM 100 T/U CHAMP	100	1987	1988	F	
	FSB739	MBK	B	ACTIVE 50	50	1990		R
			B	ACTIVE 50	50	2000		F/R
			B	ACTIVE 75	75	1990		R
			B	ACTIVE 80	80	1990		R
			B	ACTIVE 80	80	2000		F/R
			B	50 BELUGA	50	1990	1995	R
			B	50 BELUGA	50	2000		F/R
			B	CA 50 SALIENT	50	1983	1986	R
B			CY 50 JOG	50	1990	1995	F	
B			JOG 50 (Brasil)	50			R	
YAMAHA		B	JOG 50 (Espana)	50	1988		R	
		B	LC 50 M BOP	50	1980		F/R	
		B	MINT 50	50	1996		R	
		B	MS 50	50	1985	1986	R	
		B	RS 50 CHAMP	50	1988		R	
		B	SA 50 M - ME PASSOLA	50	1980	1984	R	
		B	SG 50 STING	50	1984		F/R	
		B	SH 50 RAZZ	50	1993		R	
		B	80 BELUGA	80	1990		R	
		B	PW 80	80	1991		F	
B	JOG 90	90	1990	1994	R			
B	JOG 90 (Brasil)	90			R			
FSB740	HONDA	B	NX 250	250	1988	1990	R	
		B	NX 250 DOMINATOR	250	1988	1990	R	
		B	NX 250 DOMINATOR	250	1993		R	
		B	XL 250	250	1991		R	
		B	XL 250 DEGREE	250	1991		R	
		B	XL 250 RC - RH	250	1982		R	
		B	XL 250 S - SZ - SA	250	1978	1981	R	



			CC	FROM	TO	FRONT / REAR		
		B	XLX 250	250	1984		R	
		B	XR 250 RB - RD	250	1981	1983	R	
		B	XR 250 RE - RH	250	1984	1987	R	
		B	XR 250 Z - SZ - SA	250	1979	1980	R	
		B	XL 350 R	350	1985	1986	R	
FSB741	HONDA	B	CB 550 F - F1 - F2	550	1978		R	
		B	CB 550 K3	550	1978		R	
FSB742	HONDA	B	CB 250 B4	250	1973	1975	R	
		B	CB 250 G - G5	250	1975		R	
		B	CB 250 K3 - K4 - K5	250	1973	1975	R	
		B	CJ 250 I	250	1977		R	
		B	CB 350 K4	350			R	
		B	CB 360 G5 all models	360	1975		R	
		B	CJ 360 T all models	360	1978		R	
		B	CB 400 F - F1 - F2	400	1975	1979	R	
		HONDA 3 WHEELERS	A	ATC 250 SX / ES BIG RED	250	1985	1987	R
			A	TRX 250 Drum Brake	250	1985	1987	R
HONDA ATV	A	TRX 250 Fourtrax	250	1985	1987	R		
	A	TRX 300 (2WD) Fourtrax	300	1988	2000	R		
	A	TRX 300 (4WD) FW Fourtrax	300	1988	2000	R		
FSB743	HONDA	B	CR 250 RA	250	1979	1980	R	
		B	CR 250 RZ	250	1979	1980	R	
		B	XL 500 SA - SB	500	1980		F	
FSB744	HONDA	B	CR 250 RB	250	1981		F	
		B	CR 250 RS	250	2000		F	
		B	XR 250 RB - RD	250	1981	1983	F	
		B	CR 450 RB - RS	450	1981		F	
		B	CR 480 RC	480	1982		F	
FSB745	HONDA	B	XR 500 R - RB	500	1981	1983	F	
		B	CR 125 RC	125	1982	1983	F/R	
		B	CR 125 RD	125	1983	1984	F	
FSB746	HONDA	B	CR 250 RC	250	1982		F	
		B	CR 250 RD	250	1983		F	
		B	CR 480 RD	480	1983		F	
		B	CR 125 RD	125	1983	1984	R	
		B	CR 125 RE	125	1984	1985	R	
		B	MBX 125 RWB	125	1984	1986	R	
		B	CR 250 RD	250	1983		R	
FSB747	HONDA	B	CR 250 RE	250	1984	1985	R	
		B	CR 250 RE	250	1984	1985	R	
		B	XL 350 RD	350	1983		F	
		B	CR 480 RD	480	1983		R	
		B	CR 500 RE - G - H - J	500	1984	1985	R	
		B	CR 125 RA	125	1979	1981	F	
FSB748	HONDA	B	CR 125 RB	125	1979	1981	F	
		B	CR 125 RS	125	1979	1981	F	
		B	CR 125 RZ	125	1979	1981	F	
		B	CR 250 RA	250	1979	1980	F	
		B	CR 250 RZ	250	1979	1980	F	
FSB749	HONDA	B	XR 500 SA - SZ	500	1979	1980	F	
		B	CH 250 ELITE	250	1985	1986	R	
		B	CH 250 SPACY	250	1985	1986	R	
		B	CN 250 ELITE	250	1985	1986	R	
FSB750	HONDA	B	CN 250 HELIX-FUSION	250	1992		R	
		B	CB 175 all models	175	1974	1976	R	
		B	CB 200 B - T	200	1977	1979	R	
		B	CB 250 RSA - RSD - RSE	250	1981	1984	R	
		B	CL 250 SC	250	1981		R	
		B	MXV 250 F	250	1988		R	
		B	VT 250 F INTEGRA	250	1987		R	
		B	VT 250 F2	250	1982		R	
		B	VT 250 F2	250	1983	1984	R	
		B	VT 250 FZ	250	1982	1987	R	
FSB751	HONDA	B	VTR 250 INTERCEPTOR	250	1988		R	
		B	VTZ 250	250	1988		R	
		B	XL 500 SA - SB	500	1980		R	
FSB752	HONDA	B	CR 250 RS	250	2000		R	
		B	CR 450 RB - RS	450	1981		R	
FSB753	HONDA	B	XL 500 R - RC	500	1982		F	
		B	XL 500 R PARIS DAKAR	500	1983		F	
FSB753	ARCTIC CAT ATV	B	PX 50 E	50	1984		R	
		A	50 DVX (4T)	50	2006	2008	F	
		A	50 Utility	50	2006	2008	F	
		A	50-Y6 Youth (2T)	50	2004	2006	F	
		A	90 DVX	90	2006	2010	F	
		A	90 Utility (2 x 4)	90	2006	2010	F	
		A	90-Y12 Youth (2T-4T)	90	2002	2005	F	
		A	150 Utility 2x4	150	2009	2010	F	
		BOMBARDIER ATV	A	DS 50 (2 STROKE)	50	2002	2006	F



			CC	FROM	TO	FRONT / REAR		
...FSB753	CAN AM ATV	A	QUEST 50	50	2003	2004	F	
		A	DS 90 (2 STROKE / 4 STROKE)	90	2002	2006	F	
		A	QUEST 90 (2 STROKE / 4 STROKE)	90	2003	2004	F	
		A	DS 70 (2x4/4T) Mini	70	2008		F	
	HONDA ATV	A	DS 90 Mini 4 Stroke	90	2007		F	
		A	TRX 70 Fourtrax	70	1986	1987	F	
		A	Mongoose 50 (2T)	50	2004	2008	F	
	KYMCO ATV	A	Mongoose 50 (4T) (Rear disc model)	50	2008	2009	F	
		A	Mongoose 70 (4T)	70	2007	2009	F	
		A	Mongoose 90	90	2002	2010	F	
	POLARIS ATV	A	SCRAMBLER 50 / 90		2001	2006	F	
		A	PREDATOR 50	50	2004	2006	F	
		A	PREDATOR 90	90	2003	2006	F	
		A	SPORTSMAN 90	90	2001	2010	F	
FSB754	HONDA	B	PXR 50 ALL MODELS	50	1985	1995	R	
		B	EVASION 50 (ruote in lega diritte)	50			F/R	
	MBK	B	HARDROCK 50 (ruote in lega diritte)	50			F/R	
		B	MAGNUM 50 (ruote in lega diritte)	50			F/R	
		B	PASSION 50 (ruote in lega diritte)	50			F/R	
	PEUGEOT	B	ST 50 RAPIDO	50			F/R	
		B	SX 50	50			R	
		B	SC 80	80			R	
	FSB755	HONDA	B	XBR 500 S - F - G - H	500	1985		R
			B	XLV 750 R - RD - RF	750	1984	1988	R
HONDA ATV		A	TRX 250 D RECON/TEA Recon ES/TM-TMA Recon	250	1997	2010	R	
		A	TRX 250 EX Fourtrax/Sportrax/X/XA	250	2001	2010	R	
KYMCO		B	HIPSTER 125	125	1999		R	
		B	PULSAR 125	125	2001	2006	R	
		B	STRYKER 125	125	2001	2006	R	
		B	ZING 125 / ZING II 125	125	1998		R	
		B	HIPSTER 150	150	1999		R	
		B	STRYKER 150 (Off-Road)	150	2000	2006	R	
FSB756	E-TON ATV	A	AXL 50 Lightning 50	50	1999	2000	F	
		A	BXL-50 Draco	50	2005	2006	F	
	HONDA	A	NXL 50 Lightning 50	50	2001	2002	F	
		A	TXL 50 Wizz 50	50	1998	1999	F	
		A	Viper 70 RLX 70/70M (2T/4T)	70	2005	2009	F	
		A	AXL 90 Thunder	90	1999	2000	F	
		A	NXL 90 Thunder	90	2001	2002	F	
		A	RXL 90 R Viper 90 R Reverse (2T/4T)	90	2003	2009	F	
	HONDA	A	RXL 90 Viper 90	90	2003	2006	F	
		A	BXL 100 Draco	100	2005	2006	F	
		B	CRM 50	50	1988	1992	R	
		B	CR 80 R	80	1987	1991	R	
		B	CR 80 R2F	80	1985		R	
		B	CR 80 RG	80	1986		R	
	KAWASAKI ATV	B	CRM 80	80	1988	1992	R	
		B	MB 80	80	1980		R	
		A	KFX 50 / KSF 50	50	2007	2009	F	
		A	KFX 90 / KSF 90	90	2007	2010	F	
KYMCO ATV	A	MXer 90	90	2004		F		
	A	Outlaw 50/90		2007	2010	F		
POLARIS ATV	A	Predator 50 (2 stroke)	50	2004	2006	F		
	B	CR 125 RG	125	1986		R		
FSB757	HONDA	B	CR 250	250	1986		R	
		B	CR 500	500	1986		R	
		B	PXR 50 ALL MODELS	50	1985	1995	F	
FSB758	HONDA	B	PXR 50 ALL MODELS	50	1985	1995	F	
		B	RAIDER 250 (FM. 259)	250	1985		R	
		B	DAKOTA 350	350	1986		R	
		B	ER 350	350	1987		R	
FSB759	GILERA	B	ER 500	500	1987		R	
		B	ER 350	350	1987		R	
		B	ER 500	500	1987		R	
		B	ER 500	500	1987		R	
FSB760	ARCTIC CAT ATV	A	50-Y6 Youth (2T)	50	2004	2006	R	
		A	CD 175 all models	175	1971	1978	F	
	HONDA	B	TRZ 200 (4W)	200	1990		R	
		B	TRZ 200 (4W)	200	1990		R	
	HONDA 3 WHEELERS	A	ATC 90	90	1973	1978	R	
		A	ATC 110	110	1979	1985	R	
		A	ATC 125	125	1984	1987	R	
		A	ATC 185	185	1980	1983	R	
		A	ATC 200 (Drum Brake)	200	1981	1986	R	
		A	ATC 250 R	250	1981	1982	R	
		A	ATC 250 SX / ES BIG RED	250	1985	1987	F	
		A	TRX 90 (Fourtrax/Sportrax/EX/X)	90	1993	2009	R	
		A	TRX 125 Fourtrax	125	1985	1988	R	
		A	TRX 200 (Fourtrax/SX Fourtrax/D Type II Fourtrax)	200	1986	1998	R	
	HONDA ATV	A	TRX 200 Fourtrax	200	1984		R	
		A	FL 250 ODYSSEY	250	1977	1984	R	
		A	PHOENIX 200 (Rear drum model)	200	2005	2010	R	
		A	SAWTOOTH 200 (Rear drum model)	200	2006		R	



			CC	FROM	TO	FRONT / REAR			
FSB761	HONDA	B	CB 700 SC NIGHT HAWK	700	1984		R		
		B	VF 700 C MAGNA	700	1985		R		
		B	VT 700 C SHADOW	700	1986		R		
		B	VT 700 C SHADOW	700	1987		R		
		B	VT 700 C SHADOW	700	1987		R		
		B	750 BLACK WIDOW	750	2001		R		
		B	MAGNA 750	750	1993		R		
		B	VFR 750 C V45 MAGNA	750	1988		R		
		B	VT 750 AMERICAN CLASSIC EDITION	750	1998		R		
		B	VT 750 C / C2 SHADOW / SHADOW SPIRIT	750	1997		R		
		B	VT 750 C SHADOW	750	2006	1996	R		
		B	VT 750 DCI	750	2001	2003	R		
		B	PC 800 PACIFIC COAST	800	1989	1997	R		
		B	VT 800 C	800	1988		R		
		B	VT 1100 C	1100	1985	1993	R		
		B	VT 1100 C SHADOW	1100	1994		R		
		FSB762	HONDA	A	TRX 350/TRX 350D Fourtrax/Foreman	350	1986	1989	R
				A	TRX 500 FA Fourtrax Rubicon	500	2001	2004	R
				A	TRX 500 FA/FAA Fourtrax Foreman Rubicon	500	2005	2010	R
				A	TRX 500 FGA Fourtrax Foreman Rubicon Gpscape	500	2001	2005	R
A	TRX 500 FGA Fourtrax Foreman Rubicon Gpscape			500	2005	2009	R		
A	TRX 500 FPA9 Fourtrax Foreman Rub.Gpscape EPS			500	2009		R		
A	TRX 500 TM/FE/FA/FMA/FP/EP/FP/PM Fourtrax Foreman			500	2005	2010	R		
A	VT 800 C			800	1988	1990	R		
B	CN 250			250	1988	1989	R		
B	CN 250			250	1990	1992	R		
FSB763	YAMAHA	B	SR 125	125	1993	1996	R		
		B	YZ 125 K - N - L	125	1983	1984	F		
		B	IT 250 L	250	1984		F		
		B	YZ 250 J - K - L	250	1982	1984	F		
FSB764	SUZUKI	B	IT 465 H - I	465	1981	1982	F		
		B	YZ 465 G - H - J - U	465	1980		F		
		B	IT 490 L	490	1983	1984	F		
		B	YZ 490 J	490	1982	1982	F		
		B	YZ 490 K - L	490	1983	1984	F		
		B	TT 600 L	600	1983	1984	F		
		B	RM 80 X	80	1986	1989	R		
		B	RM 80 XD - XE - XF - XZ	80	1981	1985	R		
		FSB765	YAMAHA	B	YZ 50 G - H - J - K	50	1980	1983	F/R
				B	YZ 60	60	1985		F/R
B	PW 80 K			80	1983	1990	F/R		
B	TY 80			80	1977		F		
B	TY 80			80	1983		F		
B	YZ 80			80	1977	1979	F		
B	YZ 80			80	1980	1985	F/R		
B	YZ 80			80	1986	1992	R		
FSB766	YAMAHA	B	TT-R 90	90	2000	2004	F		
		B	XV 400 VIRAGO	400	1988		R		
		B	XVS 400	400	1998	1999	R		
		B	XV 535 VIRAGO	535	1987	1994	R		
		B	XV 535 VIRAGO	535	1995	1998	R		
		B	KJ 650	650	1980		R		
		B	XJ 650 TURBO	650	1983		R		
		B	XVS 650 A DRAG STAR CLASSIC	650	1998		R		
		B	XVS 650 DRAG STAR	650	1997		R		
		B	XJ 750	750	1982	1984	R		
FSB767	YAMAHA	B	XV 1000 SE MIDNIGHT SPECIAL	1000	1983		R		
		B	XV 1000 TR 1	1000	1981		R		
		B	XV 1000 VIRAGO	1000	1986	1988	R		
		B	XV 1100 VIRAGO	1100	1989	1993	R		
		B	XV 1100 VIRAGO	1100	1994	1998	R		
		B	SR 250	250	1987		F		
		B	DT 250 MX	250	1975	1980	F		
		B	IT 250 G	250	1980		R		
		B	SR 250 SE	250	1980	1982	F		
		B	YD 250 S	250	1991		R		
FSB768	BETA	B	YZ 250 D - E - F	250	1976	1979	R		
		B	DT 400 MX	400	1975	1977	F		
		B	YZ 400 D - E - F	400	1977	1979	R		
		B	IT 425 G	425	1980		R		
		B	IT 500 G - H	500	1980	1981	R		
		B	TT 500 G - H	500	1976	1981	R		
		B	XT 500	500	1976	1981	F		
		A	YFM 350 ER W/A/D	350	1989	1992	F		
		B	RX 50	50	1984		R		
		B	RX 125	125	1984		R		

B = Bike
A = ATV
S = Snowmobile

B = Bike
A = ATV
S = Snowmobile



				CC	FROM	TO	FRONT / REAR		
FSB769	YAMAHA	B	TX 500	500	1975	1977	R		
		B	XS 500 B	500	1975	1977	R		
		B	XJ 550	550	1981	1984	R		
		B	XZ 550	550	1982	1984	R		
		B	XZ 550 S	550	1984	1986	R		
		B	XV 750	750	1989	1993	R		
		B	XV 750 SE	750	1981		R		
		B	XV 750 VIRAGO	750	1994	1997	R		
FSB770	YAMAHA	B	XS 250 C	250	1980		F		
FSB771	YAMAHA	B	50 YAMY	50	1988		F/R		
		B	50 YAMY ME	50	1988		F/R		
FSB772	YAMAHA	B	BL 125 BELUGA	125	1988	1992	F		
		B	BL 125 BELUGA	125	1993	1995	F		
		B	RIVA 125 XX	125	1993		F		
		B	XC 125 BELUGA	125	1993		F		
		B	XC 185 BELUGA	185	1993		F/R		
FSB773	SUZUKI	B	GT 250 A - B - C	250	1973	1978	R		
		B	GT 250 K - L - M	250	1973	1978	R		
		B	GT 380	380	2000		R		
		B	GT 380 A - B - K	380	1973	1977	R		
		B	GT 380 L - M	380	1973	1977	R		
		B	GS 400 B - C	400	1977	1978	R		
		B	GSX 400 TX - LX	400	1981	1983	R		
		B	GT 500 A - B	500	1976	1978	R		
		B	T 500 all models	500	1968	1975	R		
		B	GT 550	550	2000		R		
		B	GT 550 J	550	1972	1972	R		
		B	GT 550 K - L - M	550	1973	1975	R		
		FSB775	SUZUKI	B	JR 50	50	1993	2003	F
				B	PE 175 T - X	175	1980	1981	R
				B	PE 175 Z	175	1982		R
FSB776	HYOSUNG	B	GV 125 AQUILA	125	2001		R		
		B	KARION RT 125 D	125	2002		R		
		B	XRX 125 OFFROAD	125	1999		R		
	KAWASAKI ATV	B	GV 250 AQUILA	250	2001		R		
		A	KSF 80 / KFX 80	80	2003	2006	R		
		A	KSF 90 / KFX 90	90	2006	2007	R		
	SUZUKI	B	PE 175 Z	175	1982		F		
		B	RM 250 E	250	1984		R		
		B	RM 250 F - IG - G	250	1985	1986	R		
	SUZUKI ATV	B	RM 250 T	250	1980		F		
		B	RM 400 T	400	1980		F		
		B	RM 465 X - Z	465	1981	1982	R		
	SUZUKI ATV	A	LT 80 all models	80	1987	2007	R		
		A	LT-Z 90 QUADSPORT	90	2006	2010	R		
		A	LT 125 F/G/H	125	1985	1987	R		
FSB777	ATALA	B	HACKER 50	50	1996		R		
		B	SCHEGGIA 50	50	1998		R		
		B	MANTIS 50	50	1998		R		
	CAGIVA	B	PROGRESS 50	50	1997		R		
		B	HUNTER 50	50	1995		R		
		B	PADDOCK 50 ST	50	1996		R		
	DERBI	B	PREDATOR 50 0.2	50	1999		R		
		B	PROGRESS 50	50	1997		R		
		B	RECORD 50	50	1998		R		
	GARELLI	B	VAMOS 50	50	1994		R		
		B	VAMOS 50 R	50	1995		R		
		B	KRS 50	50	2002		R		
	ITALJET	B	FREELAND 125	125	2002		R		
		B	FREELAND 150	150	2002		R		
		B	TORPEDO 50	50	1997		R		
	PGO	B	VELOCIFERO 50	50	1994	2002	R		
		B	T-REX 50	50	1999	2004	R		
		B	T-REX 110	110	1999	2004	R		
	PUCH	B	CHARGE 125 A / B	125	2001	2002	R		
		B	LIDO 75 (scooter)	75	1986		F/R		
		B	ATALA HACKER 50	50	1995		R		
	SUZUKI	B	ADRESS 50 (SPAIN)	50			F/R		
		B	AY 50 KATANA (Brembo caliper)	50	1997		R		
		B	AY 50 W KATANA	50	1998		R		
		B	AY 50 WR KATANA	50	1998		R		
		B	CP 50	50	1991	1993	F/R		
		B	CP 50 CHF	50	1985		F/R		
		B	LIDO 50	50	1989	1990	F/R		
		B	SEPIA 50	50	1992	1995	R		
		B	UF 50 ESTILETE	50	2000	2002	R		
		B	UX 50 ZILLION	50	1998	2002	R		
		B	ZZ 50	50	1992	1995	R		



				CC	FROM	TO	FRONT / REAR
SUZUKI ATV	SUZUKI	B	LIDO 75	75	1989		R
		B	AH 80	80	1992	1994	R
		B	CP 80 CHF	80	1985	1993	F/R
		B	AN 125	125	1995	2000	R
		B	LIDO 125 VARIO	125	1990	1993	R
		B	AN 150	150	1997	2000	R
		A	LT 160 (All models)	160	1989	2004	F
		B	RM 125 E	125	1984	1984	F
		B	RM 250 D	250	1983		F
		B	RM 250 E	250	1984		F
FSB778	SUZUKI	B	RM 500 D - E	500	1983	1984	F
		B	RM 250 XZ	250	1981	1982	F
FSB779	SUZUKI	B	RM 250 XZ	250	1981	1982	F
		B	RM 465 X - Z	465	1981	1982	F
		A	SUZUKI 3 WHEELERS	125	1983	1984	R
SUZUKI ATV	SUZUKI	A	ALT 125 D	125	1983	1984	R
		A	LT 125 D	125	1983	2000	R
FSB780	SUZUKI	B	GS 550 B - C - D	550	1977	1978	R
		B	GT 550 A - B	550	1976		R
FSB781	FANTIC	B	SPORT 125 HP1 (FM.265)	125	1985		R
		B	SPORT 125 MK II (f.a.tel.1706338)	125	1985		R
GARELLI	SUZUKI	B	GTA 125	125	1986	1986	R
		B	RE 500 5 A - M	500	1975	1977	R
SUZUKI ATV	SUZUKI	B	GV 700 GL	700	1985		R
		B	GT 750 A - B - K - L - M	750	1973	1977	R
		A	LT 250 EF	250	1985	1986	R
		A	LT-F 250 4WD QUADRUNNER	250	1987	2002	R
		A	LT 300 E	300	1987	1989	R
		A	LT-F 300 KING QUAD	300	1991	2001	R
		A	LT-F 300 KING QUAD (left)	300	2002		R
		A	LT-A 500 F QUADMASTER (left)	500	2000	2001	R
		A	LT-F 500 FW/FX/F1 QUADRUNNER (left)	500	1998	2002	R
		B	RM 80 XD - XE - XF - XZ	80	1981	1985	F
FSB783	SACHS	B	ROADSTER 800	800	2001		R
SUZUKI	SUZUKI	B	VS 600 GL INTRUDER	600	1997	1999	R
		B	GV 700 GL MADURA	700	1984		R
		B	VS 700 GL INTRUDER	700	1985		R
		B	VS 750 INTRUDER (All Models)	750	1985	1991	R
		B	VL 800 K1 INTRUDER VOLUSIA	800	2001		R
		B	VS 800 GL-N-INTRUDER	800	1992	1999	R
		B	VS 800 S INTRUDER	800	1991		R
		B	VZ 800 INTRUDER C800 / M800	800	2005		R
		B	VZ 800 MARAUDER / K7	800	1997	2003	R
		A	LT-F 400 X	400	1991	2000	R
FSB785	SUZUKI	B	DR 250 S	250	1983	1984	F
SUZUKI	SUZUKI	B	RM 250 N	250	1979		R
		B	RM 250 T	250	1980		R
		B	RM 400 T	400	1979	1979	R
		B	RM 400 T	400	1980		R
		B	RM 125 D - X - Z	125	1981	1983	R
FSB786	SUZUKI	B	RM 125 E	125	1984	1984	R
		B	RM 125 F - G	125	1985	1986	R
		B	RM 125 H	125	1987		R
		B	RM 125 X - Z	125	1981	1983	R
		B	RM 250 D	250	1983		R
		B	RM 250 XZ	250	1981	1982	R
FSB787	SUZUKI	B	adaptable to 130x28 front and rear drums				F/R
FSB788	APRILIA	B	AMICO 50	50	1990	1991	F/R
		B	AMICO 50 all models	50	1992		R
		B	GULLIVER 50	50	1995	1998	R
		B	RALLY 50	50	1995		R
		B	SCARABEO 50	50	1994	1995	R
		B	SCARABEO 50 / 50 Street 4T-2T	50	1996		R
		B	SONIC 50 GP	50	1997		R
		B	SONIC 50 SPICE	50	1997		R
		B	SR 50 all models	50	1993	1996	R
		B	SCARABEO 70	70	1994		R
		B	CAROSELLO 50	50	1997		R
		B	491 50 GT	50	1997		R
		B	K2 50 all models	50	1998	2001	R
		B	PEPE 50 / 50 LX / Old (2t-4t)	50	1999		R
		B	CH 50	50	1996		R
BETA	BETA	B	CHRONO 50	50	1992	1994	R
		B	CHRONO 50	50	1994		R
		B	CHRONO 50 13	50	1994		R
		B	CHRONO 50 502	50	1997		R
		B	QUADRA 50	50	1995		R
		B	TEMPO 50	50	1993		R
		B	AX 50	50	1993		R
		B	GZ 50	50	1993		R



				CC	FROM	TO	FRONT / REAR
...FSB788	CAGIVA	B	CITY 50	50	1992	1994	R
		B	CITY 50	50	1995		R
	HUSQVARNA	B	WRS 50 (SCOOTER)	50	1998	2000	R
	KTM	B	CHRONO 50 SCOOTER	50	1994		R
		B	GO 50 SCOOTER	50	1994		R
	MALAGUTI	B	CENTRO 50	50	2000		R
		B	CENTRO 50 4T / SL 4T	50	2008		R
		B	CENTRO 50 SL	50	1993	1999	R
		B	CIAK 50 / CIAK Master 4T 50	50	1999		R
		B	F 10 50 JETLINE	50	1992	1993	R
		B	F 10 50 JETLINE /F10 WAP JETLINE	50	1994		R
		B	F 12 50 PHANTOM (liquid cooled)	50	1994		R
		B	F 12 50 PHANTOM (liquid cooled)	50	1995	1997	R
		B	F 15 50 FIREFOX	50	1996	1997	R
		B	YESTERDAY 50	50	1998		R
		B	CIAK 100	100	1999	2003	R
	SYM	B	JET 50	50	1999		R
		B	JUNGLE 50	50	1999	2002	R
		B	MASK 50	50	2000		R
		B	RED DEVIL 50	50	1999		R
		B	SUPER FANCY 50	50	1996	2002	R
		B	SUPER FANCY 50 (G5H-6/H325)	50	1996	2002	R
		B	JET 100	100	1999		R
		B	SUPER DUKE 125 / 150	125	1999	2000	R
	YAMAHA	B	50 AXIS	50	1993		R
		B	50 AXIS PROFOOT	50	1994		R
		B	50 TRUNK	50	1994		R
		B	JOG 50 (Italia)	50	1993		R
		B	JOG 50 Z (Italia) - R / RR	50	1993		R
FSB789	SUZUKI ATV	A	LT-F 250 F QUADRUNNER	250	1999	2002	R
		A	LT-F 250 QUADRUNNER	250	1988	2001	R
FSB790	SUZUKI	B	DR 750 S BIG	750	1988		R
FSB791	SUZUKI	B	CARNA 50	50	1990		R
FSB792	ATALA	B	BYTE 50	50	1996		R
		B	HACKER 50	50	2000		R
	SUZUKI	B	ADRESS 50	50	1990	1991	F/R
		B	ADRESS 50	50	1992	1995	R
		B	AH 50	50	1993	1995	F/R
		B	SEPIA AU 50 ZZ	50	1996	1998	R
		B	TUNE 50	50	1993	1995	R
FSB793	KAWASAKI	B	KH 250 B1 - S	250	1977	1982	R
		B	S1 250 B	250	1975		R
		B	KH 400 A3-5	400	1976	1981	R
FSB794	KAWASAKI	B	KH 500 A8	500	1976		R
		B	KH 500 H1 -B/D/E	500	1974	1975	R
	KAWASAKI ATV	A	KLF 300 BAYOU 4x4 C Series (left)	300	1989	2004	R
		A	KVF 300 PRAIRIE (2x4/4x4)	300	1999	2002	R
		A	KLF 400 BAYOU 4x4 B Series (left)	400	1993	1999	R
		A	KVF 400 PRAIRIE (2x4/4x4)	400	1997	2002	R
FSB795	KAWASAKI	B	Z 900 A 4	900	1977	1978	R
FSB796	MOTO GUZZI	B	V 7 700 SPECIAL	700	1969	1971	F
		B	V 750 750 SPORT	750	1972	1974	F
		B	CALIFORNIA 850 GT	850	1972	1974	F
		B	GT 850	850	1972	1974	F
		B	T 850	850	1974	1975	R
FSB797	KAWASAKI	B	KE 125 A4 - A10	125	1976	1985	F
		B	KX 125 A3 - A7	125	1974	1980	F
		B	KDX 175 all models	175	1980	1982	F
		B	KE 175 B1 -B3	175	1976	1978	F/R
		B	KE 175 D1 - D5	175	1979	1983	F
		B	KL 250 A3 - A4	250	1980	1984	F
		B	KL 250 C1	250	1980	1984	F
		B	KLX 250	250	2000		F
FSB798	KAWASAKI	B	KX 80 B1 - B2 - D1 - D2	80	1979	1983	F/R
FSB799	KAWASAKI	B	KDX 250 B1	250	1979		F
		B	KL 250 A1 - A2	250	1978	1979	F
		B	KX 250 A all models	250	1974	1981	F
		B	KX 250 B2 - B3	250	1980	1981	F
		B	KX 420 A1 - A2	420	1980		F
	KAWASAKI 3 WHEELERS	A	KLT 200 All Models	200	1981	1984	R
		A	KLT 250 All Models	250	1982	2000	R
		A	KXT 250 TECATE	250	1984	2000	F
	KAWASAKI ATV	A	KLF 185 BAYOU A2 / A3 / A4	185	1986	1988	F
		A	KLF 220 BAYOU A Series	220	1988	2002	F
		A	KLF 250 BAYOU A Series	250	2003	2010	F
FSB800	KAWASAKI	B	S1 250 B	250	1975		F
		B	Z 250 B1 - B2	250	1980	1983	F
		B	Z 250 C1 - C2	250	1981	1983	F



				CC	FROM	TO	FRONT / REAR
		B	Z 250 G1 - G2	250	1981	1983	F
		B	Z 250 LTD	250	1983		F
FSB801	KAWASAKI	B	KX 80 E1	80	1983		F
FSB802	KAWASAKI	B	KX 60 A1 - A2 - B1/6	60	1985	1991	F/R
		B	KX 80 E1	80	1983		R
		B	KX 80 E2	80	1984	1986	R
		B	KX 80 H - K2	80	1987	1987	R
		B	KLX 110 R	110	2002		F
FSB803	APRILIA	B	ET 50	50	1984	1986	R
		B	ETX 50	50	1986		R
		B	TUAREG 50	50	1984	1986	R
		B	TUAREG 50	50	1986		R
	FANTIC	B	OASIS 50 .1 K.S.	50	1987		R
		B	OASIS 50 .1 RALLY	50	1986		R
		B	RAIDER 50	50	1981		R
		B	RAIDER 50 .1	50	1986		R
		B	TRAILMATIC 50 (FM. 283)	50	1983		F/R
		B	TRIAL 50 .1 (FM.268)	50	1986		R
		B	TRIAL 50 II mozzi conici	50	1983		F/R
		B	TRIAL 50 JUNIOR	50	1987		F
	MALAGUTI	B	RCX-W 50 ENDURO	50	1983		R
		B	SAHIB 50 ENDURO	50	1983		R
FSB804	BMW	B	R 65 650 LS	650	2000		R
FSB805	BMW	B	K 75 750	750	1984	1988	R
FSB806	BMW	B	R 50/5 500	500	1969	1975	F
		B	R 60/5 600	600	2000		F
		B	R 60/6 600	600	2000		F
		B	R 75/5 750	750	2000		F
FSB807	BULTACO	B	LOBITO 125	125			F/R
		B	PURSANG MK6 125	125			F
		B	PURSANG MK7/8 125	125			F
		B	PURSANG MK9 125	125			F/R
		B	SHERPA 125	125			F
		B	TRIAL 125	125			F/R
		B	SHERPA 150	150			F
		B	SHERPA 151	151			F
		B	PURSANG MK6 175	175			F
		B	PURSANG MK6 200	200			F
		B	PURSANG MK9 200	200			F/R
		B	LOBITO 250	250			F/R
		B	PURSANG MK10 250	250			F
		B	PURSANG MK11 250	250			F
		B	PURSANG MK12 250	250			F
		B	PURSANG MK6 250	250			F
		B	PURSANG MK7/8 250	250			F
		B	SHERPA 250 A	250			F/R
		B	SHERPA 250 I	250			F/R
		B	SHERPA 250 N	250			F/R
		B	TRIAL 250	250			F/R
		B	PURSANG MK6 350	350			F
		B	SHERPA 350 A	350			F/R
		B	SHERPA 350 I	350			F/R
		B	SHERPA 350 N	350			F/R
		B	TRIAL 350	350			F/R
		B	PURSANG MK7/8 360	360			F
FSB808	DERBI	B	all models 50	50	1983		F/R
		B	all models 50 (disc brake)	50	1983		R
FSB809	DERBI	B	all models 50	50	2000		F/R
FSB810	DERBI	B	FDS 50	50	1986		R
		B	TT8 75	75	2000		F/R
		B	TT8 125	125	2000		F/R
FSB811	DERBI	B	all models 50	50	1988		F/R
FSB812	HUSQVARNA	B	CR 125	125	1983	1984	F
		B	CR 125	125	1985	1995	R
		B	RC 125	125	1983	1984	F
		B	WR 125	125	1986		R
		B	WR 125	125	1987	1990	R
		B	WRE 125	125	1988		R
		B	CR 240	240	1981	1982	F
		B	CR 240	240	1987		R
		B	RC 240	240	1981	1982	F
		B	WR 240	240	1985		R
		B	WR 240	240	1986		R
		B	WR 240	240	1987	1990	R
		B	WRK 240	240	1988		R
		B	CR 250	250	1981	1982	F
		B	CR 250	250	1985	1995	R
		B	RC 250	250	1981	1982	F

B = Bike
A = ATV
S = Snowmobile

FERODO
MOTORCYCLE PADS
Updated on 11th Oct 2013

B = Bike
A = ATV
S = Snowmobile

3057



			CC	FROM	TO	FRONT / REAR			
...FSB812		B	WR 250	250	1987	1989	R		
		B	XC 250	250	1987		R		
		B	WRK 260	260	1988		R		
		B	WR 400	400	1985		R		
		B	WR 400	400	1986		R		
		B	WR 400	400	1987		R		
		B	AE 430	430	1988		R		
		B	AUTO 430	430	1987		R		
		B	CR 430	430	1981	1982	F		
		B	CR 430	430	1987		R		
		B	OR 430	430	1981	1982	F		
		B	RC 430	430	1981	1982	F		
		B	WR 430	430	1981	1982	F		
		B	WR AE 430	430	1987		R		
		B	WRE 430	430	1981	1982	F		
		B	XC 430	430	1981	1982	F		
		B	XC 430	430	1987		R		
		B	CR 500	500	1985		R		
		B	XC 500	500	1987		R		
		B	510	510	1986		R		
		B	TC 510	510	1988		R		
		B	TE - AC - LC 510	510	1987		R		
		FSB813	HUSQVARNA	B	WR 125	125	1983	1985	F
				B	WRE 125	125	1983	1984	F
				B	CR 240	240	1983	1986	F
				B	RC 240	240	1983		F
				B	WR 240	240	1983	1984	F
				B	WR 240	240	1985		F
				B	WRE 240	240	1983		F
B	CR 250			250	1983	1984	F		
B	RC 250			250	1983		F		
B	WR 250			250	1983	1986	F		
B	WRE 250			250	1983		F		
B	WR 400			400	1985		F		
B	CR 490			490	1983		F		
B	AE 500			500	1984		F		
B	TC 500			500	1984		F		
B	TE 510			510	1984	1986	F		
B	TX 510			510	1984		F		
FSB814	HONDA	B	CR 480 RC	480	1982		R		
		B	HOBBIY-DUO-PRO 50 COMET 40PI-KJ	50			F/R		
	KTM	B	125	125	2000		F/R		
		B	CROSS 125	125	1980	1983	F/R		
		B	LC - GS 125 GS	125	1983		R		
		B	175	175	1972	1978	F/R		
		B	175	175	1979		F		
		B	CROSS 250	250	2000		F/R		
		FSB815	KTM	B	175	175	1979		R
				B	CROSS 250	250	1982		F/R
B	CROSS 250			250	1983		R		
B	GS 350 ENDURO SPORT			350	1983		R		
B	GS 390 ENDURO SPORT			390	1983		R		
B	MX 495 MC LELEU			495	1982	1983	R		
B	500 CROSS			500	2000		R		
B	GS 500 K4 ENDURO			500	1983		R		
FSB816	ATK (USA)			B	all models 1984-85		1984	1985	R
	HUSQVARNA			B	WRE 125	125	1989	1994	R
		B	WRK 600	600	1989		R		
	KTM	B	MX 80 GR - SUPER MINI	80	1986		R		
		B	BAJA 125	125	1986		R		
		B	GS 125 ENDURO SPORT	125	1984	1985	F/R		
		B	LC - GS 125 GS	125	1983		F		
		B	MX 125 CROSS	125	1984		F/R		
		B	MX 125 CROSS	125	1985		R		
		B	BAJA 250	250	1986		R		
		B	GS 250 ENDURO SPORT	250	1983	1985	F/R		
		B	MX 250 CROSS	250	1984		F/R		
		B	MX 250 CROSS	250	1985		R		
		B	GS 300 XC ENDURO SPORT	300	1985		F/R		
		B	COUNTRY 350 CROSS E	350	1985		R		
		B	GS 420 ENDURO SPORT	420	1984		F/R		
		B	MX 495 CROSS	495	1984		F/R		
	B	MX 500 CROSS	500	1983	1984	F/R			
B	MX 500 CROSS	500	1985		R				
B	GS 600 ENDURO SPORT	600	1984		F/R				
B	GS 600 ENDURO SPORT	600	1985		R				
B	XC-XCE 600 CROSS COUNTRY-BAJA	600	1985		R				
FSB817	KTM	B	CROSS 250	250	1983		F		



			CC	FROM	TO	FRONT / REAR		
FSB818	BENELLI	B	500 CROSS	500	2000		F	
		B	125	125	1976		R	
		B	125 2 C	125	1976	1978	R	
		B	125 2C Dual brakes	125	2000		R	
		B	125 2T - 2 CSE	125	1976	1978	R	
		B	250 4	250	1976		R	
		B	250 C	250	1976	1978	R	
		B	250 TS	250	1976	1978	R	
		B	254	254	1979		R	
		B	350 4 CIL.	350	1978		R	
		B	500 QUATTRO	500	1976		R	
		DUCATI	B	250	250	2000		R
			B	350	350	2000		R
			B	450	450	2000		R
			B	2C 125 4T	125	1979		R
		MOTO GUZZI	B	STORNELLO 160 (5 speed)	160	1971	1974	F
			B	TS 250	250	1974	1975	R
			B	254	254	1977	1981	R
			B	GTS 350	350	1974	1975	R
			FSB819	MAICO	B	GSE 250 ALPHA-E	250	2000
B	LINK 250	250	2000		R			
B	MX 250 TWIN	250	2000		R			
B	400	400	2000		R			
B	MX 490 LINK	490	2000		R			
B	MX 490 TWIN	490	2000		R			
FSB820	MONTESA	B	MKS 50	50	1987		R	
		B	COTA 123	123	1983		R	
		B	COTA 123	123	2000		F/R	
		B	COTA 242	242	1983		R	
		B	COTA 290	290	2000		F/R	
		B	COTA 304	304	1987		R	
		B	TRIAL 330	330	1985		R	
		B	T 348	348	2000		F/R	
		B	COTA 349	349	1983		R	
		B	COTA 349	349	2000		F/R	
MONTESA (HONDA)	B	MH 123	123	1983		R		
	B	MH 200	200	1983		R		
	B	MH 349	349	1983		R		
	PUCH	B	CONDOR 50	50			R	
		B	MONZA 50	50	1983		F/R	
	B	COBRA 75	75	1985		R		
B	COBRA 80	80	1984		R			
FSB821	MONTESA	B	COTA 123	123	1983		F	
		B	COTA 242	242	1983		F	
		B	TRIAL 330	330	1985		F	
		B	COTA 349	349	1983		F	
		MONTESA (HONDA)	B	MH 123	123	1983		F
B	MH 200		200	1983		F		
B	MH 349		349	1983		F		
FSB822	MOTOBECANE	B	V 51 (mozzi atom)	50			F/R	
		B	V 51 (mozzi motobecane)	50			F/R	
FSB823	MZ	B	SAXON 125	125	1993	1997	R	
		B	TS 125	125			F	
		B	SAXON 150	150	1995		R	
		B	TS 150	150			F	
		B	ETZ 250	250			F/R	
		B	ETZ 250	250	1982	1992	R	
		B	TS 250	250			F/R	
		B	FUN 251	251	1995	1996	R	
FSB824	MZ	B	ETZ 301	301	1990	1992	R	
		B	SAXON 500	500	1993	1998	R	
		B	ETZ 125	125			F/R	
		B	ETZ 125	125	1982	1992	R	
		B	TS 125	125			R	
FSB825	OSSA	B	ETZ 150	150			F/R	
		B	ETZ 150	150	1982	1992	R	
		B	TS 150	150			R	
		B	CROSS 125	125	1974		F	
		B	CROSS 250	250	1974		F	
		B	FUEGO 250	250	1974		F	
FSB826	CAGIVA	B	TRIAL 250 (all models)	250	2000		F/R	
		B	TRIAL 350 (all models)	350	2000		F/R	
		OSSA	B	DG 350 TRIAL	350	1983		F/R
			B	TRIAL 250 (all models)	250	1981		F
PUCH	B	TRIAL 350 (all models)	350	1981		F		
	B	BORRASCIA 50	50			F/R		
	B	MINICROSS 50	50			F/R		
FSB827	FB MINARELLI	B	MR 80	80			R	



				CC	FROM	TO	FRONT / REAR		
...FSB827	OSSA	B	TRIAL 250 (all models)	250	1981		R		
		B	TRIAL 350 (all models)	350	1981		R		
	PUCH	B	MONZA 50	50	1984		R		
		B	MONZA 50	50	1985		R		
		B	MONZA 50 50 (alloy wheels 160x17)	50	1984		F/R		
RIEJU	B	MR 80	80			R			
FSB828	OSSA	B	CROSS 125	125	1974		R		
		B	CROSS 250	250	1974		R		
		B	FUEGO 250	250	1974		R		
FSB829	GILERA	B	BULLIT 50	50	1990		R		
FSB831	PUCH	B	adaptable to 95x22 front and rear drums				F/R		
FSB832	FB MINARELLI	B	RIEJU MARATHON 50	50	1974		F/R		
	RIEJU	B	MARATHON RV 50	50	1974		F/R		
FSB833	APRILIA	B	RX 125 (Rimoldi wheels)	125	1984	1985	R		
		B	RX 250	250	1983		R		
	CAGIVA	B	WMX 125 (mozzi Rimoldi)	125	1984		F		
	HRD	B	RP 80 CROSS	80	1983		F/R		
	TRE SOLDI	B	80	80			F/R		
VALENTI	B	125	125			F/R			
FSB834	APRILIA	B	TUAREG 125 RALLY(Mozzi Rimoldi)	125	1986		R		
		B	TUAREG 250 RALLY (Mozzi Rimoldi)	250	1986		R		
	GILERA	B	R1 50	50	1990	1998	R		
		B	HX 250 LC	250	1983		R		
	KRAMER	B	RX 250 ARIZONA RALLY	250	1986		R		
VALENTI	B	80	80			F/R			
VALENTI	B	80	80			F/R			
FSB835	ZUNDAPP	B	KS 50 SPORT	50			R		
		B	KS 50 SUPER SPORT	50			R		
		B	KS 100	100			R		
FSB836	ZUNDAPP	B	SUPER COMBINETTE 429	429			F/R		
		B	SUPER COMBINETTE 433	433			F/R		
		B	FALCONETTE 435	435			F/R		
		B	KS 50 500	500			F/R		
		B	KS 75 500	500			F/R		
FSB837	BENELLI	B	S 50	50	1981	1987	R		
		B	S 50 (tutti i modelli)	50	1987		R		
	ITALJET	B	S 50 LUSO	50	1981	1987	R		
		B	T 50	50			F/R		
		B	T 100	100			F/R		
		B	RANGER 125	125	1985		F/R		
		B	SKIPPER 125	125	1985		F/R		
		B	T 125	125			F/R		
		B	T 250	250			F/R		
		B	T 250 PIUMA	250	1985		F/R		
		B	BOSS 350 4 T	350			F/R		
		B	BOSS 350 ENDURO	350			R		
		B	CUSTOM 350	350	1985		F		
		B	CX 350	350	1985		R		
		B	EXPLORER 350	350	1985		F/R		
B	H&H 350 2 T	350			F/R				
B	SCOTT 350 4 T	350			F/R				
B	T 350 PIUMA	350	1985		F/R				
FSB838	GILERA	B	ARIZONA 125	125	1983		R		
		B	ARIZONA HAWK 125	125	1986		R		
		B	ER 125	125	1987		R		
		B	RC 125 RALLY	125	1987		R		
		B	RRT 125 NEBRASKA	125	1987		R		
		B	RRT 125 NEBRASKA (tubeless tires)	125	1987	2000	R		
		B	RTX 125	125			R		
		B	RX 125	125	1984		R		
		B	ARIZONA HAWK 200	200	1986		R		
		B	ER 200	200	1987		R		
		B	RTX 200	200	1986		R		
		B	RX 200	200	1985		R		
		B	RX 200 ARIZONA	200	1985		R		
		FSB839	INNOCENTI	B	LAMBRETTA 125 LI	125			F/R
				B	LAMBRETTA 150 LI	150			F/R
B	LAMBRETTA 175 LI			175			F/R		
B	LAMBRETTA 175 TV II			175			F/R		
FSB840	INNOCENTI	B	LAMBRETTA J 50	50			F/R		
FSB841	CAGIVA	B	WMX 125 CROSS	125	1986		R		
		B	WMX 125 CROSS	125	1987		R		
		B	WMX 250 CROSS	250	1987		R		
FSB842	INNOCENTI	B	LAMBRETTA J 100	100			F/R		
		B	LAMBRETTA J 125	125			F/R		
FSB843	INNOCENTI	B	LAMBRETTA 125 DL	125			F/R		
		B	LAMBRETTA 150 DL	150			F/R		
		B	LAMBRETTA 200 DL	200			F/R		



				CC	FROM	TO	FRONT / REAR	
FSB844	CAGIVA	B	ALETTA 125 ELECTRA	125	2000		R	
		B	ELEFANT 125	125	2000		R	
		GILERA	B	WSXT 125 ALETTA ROSSA	125	1983		R
			B	RALLY 50	50	1987	1990	R
		B	RRT 125 NEBRASKA (tubeless tires)	125	1987	2000	R	
FSB845	CAGIVA	B	WMX 500	500	1984		R	
FSB846	CAGIVA	B	ALETTA 125 ELECTRA	125	1984		R	
		B	ELEFANT 125	125	1984		R	
FSB847	FANTIC	B	RSX 125	125	1981		F/R	
		B	TRIAL 125 7 DAYS(mozzi centrali)	125			R	
	GILERA	B	GIUBILEO 98	98			F	
		B	GIUBILEO 124	124			F	
	MAICO	B	GSE 250 ALPHA-E	250	2000		F	
		B	LINK 250	250	2000		F	
		B	MX 250 TWIN	250	2000		F	
		B	400	400	2000		F	
		B	MX 490 LINK	490	2000		F	
	MOTO GUZZI	B	MX 490 TWIN	490	2000		F	
		B	CROSS 50	50	1975	1976	F/R	
		B	CROSS 50	50	1976	1982	F/R	
		B	NIBBIO 50	50	1975	1976	F/R	
		B	KJ 125	125	1984		R	
	MOTO MORINI	B	MONOCILINDRO 125	125	1979		R	
B		SPORT 250	250	2000		R		
B		TURISMO 250	250	2000		R		
FSB848	CAGIVA	B	DAKAR 125	125	1985		R	
		B	ELEFANT 125	125	1985	1986	R	
		B	ELEFANT 125	125	1987		R	
		B	ELEFANT 200	200	1985		R	
		B	ELEFANT 200	200	1988		R	
FSB849	CAGIVA	B	ELEFANT 200 A.E.	200	1986		R	
		B	T4 350 R - ER	350	1987		R	
		B	T4 500 E - ER	500	1987		R	
		B	ALA BLU 250	250	1983		R	
		B	ALA ROSSA 250	250	1983		R	
FSB850	HUSQVARNA	B	SST 250	250	1979	1980	F	
		B	SST 250	250	1980		R	
		B	SST 250	250	2000		F	
		B	SX 250	250	1982		R	
		B	SX 250	250	2000		F/R	
		B	ALA BLU 350	350	1983		R	
		B	ALA ROSSA 350	350	1983		R	
		B	ALA ROSSA 350	350	1988		R	
		B	SST 350	350	1981		R	
		B	SST 350	350	2000		F/R	
		B	SX 350	350	1979	1982	F/R	
		B	SX 350	350	2000		F/R	
		B	CR 125	125	1981	1982	F/R	
		B	CR 125	125	1983	1984	R	
		B	RC 125	125	1981	1982	F/R	
B	RC 125	125	1983	1984	R			
B	WR 125	125	1983	1985	R			
B	WRE 125	125	1983	1984	R			
B	CR 240	240	1981	1982	R			
B	CR 240	240	1983	1986	R			
B	RC 240	240	1981	1982	R			
B	RC 240	240	1983		R			
B	WR 240	240	1983	1984	R			
B	WRE 240	240	1983		R			
B	CR 250	250	1981	1982	R			
B	CR 250	250	1983	1984	R			
B	RC 250	250	1981	1982	R			
B	RC 250	250	1983		R			
B	WR 250	250	1983	1986	R			
B	WRE 250	250	1983		R			
B	RC 390	390	1978	1980	F/R			
B	CR 430	430	1981	1982	R			
B	OR 430	430	1981	1982	R			
B	RC 430	430	1981	1982	R			
B	WR 430	430	1981	1982	R			
B	WRE 430	430	1981	1982	R			
B	XC 430	430	1981	1982	R			
B	CR 490	490	1983		R			
B	AE 500	500	1984		R			
B	TC 500	500	1984		R			
B	TE 510	510	1984	1986	R			
B	TX 510	510	1984		R			
FSB851	MONTESA	B	old models	1500			F	

B = Bike
A = ATV
S = Snowmobile

B = Bike
A = ATV
S = Snowmobile



				CC	FROM	TO	FRONT / REAR		
FSB852	BETA	B	CR - RV 250	250	1981		R		
		B	CR - RV 350	350	1980		R		
		B	GS - RV 350	350	1980		R		
		B	GS - RV 500	500	1984		R		
		MOTO MORINI	B	KANGURO 350	350	1984		R	
			B	KANGURO 350	350	2000		R	
			B	XE 350	350	1985		R	
			B	CAMEL 500	500	2000		R	
		PUCH	B	CROSS 347	347	2000		R	
		FSB853	CAGIVA	B	ALA VERDE 250	250	1983		R
B	SSX 250			250	1982		R		
B	ST 250			250	1982		R		
B	ALA AZZURRA 350			350	1983		R		
B	ALA VERDE 350			350	1983		R		
MOTO MORINI	B			SX 350	350	1982		R	
	B			GT 350	350	1976	1981	R	
	B			SPORT 350	350	1981		R	
	FSB854			CZ	B	JAWA 125	125	1975	
B					JAWA 125	125	2000		F/R
B		JAWA 175	175		1975		R		
B		JAWA 175	175		2000		F/R		
B		JAWA 250	250		1975		R		
B		JAWA 250	250		2000		F/R		
B		JAWA 350	350		1975		R		
B		JAWA 350	350		2000		F/R		
FSB855		CZ	B		JAWA 125	125	1975		F
			B		JAWA 175	175	1975		F
	B		JAWA 250	250	1975		F		
	B		JAWA 350	350	1975		F		
	FSB856		BENELLI	B	S 125 SCOOTER	125			F/R
FSB857		BULTACO		B	PURSANG MK7/8 125	125		R	
	B		SHERPA 125	125		R			
	B		SHERPA 150	150		R			
	B		SHERPA 151	151		R			
	B		FRONTERA 250 all models	250		F/R			
	B		PURSANG MK10 250	250		R			
	B		PURSANG MK11 250	250		R			
	B		PURSANG MK12 250	250		R			
	B		PURSANG MK7/8 250	250		R			
	B		PURSANG MK9 250	250		F/R			
	B		FRONTERA 350 all models	350		F/R			
	B		PURSANG MK7/8 360	360		R			
	B		PURSANG MK10 370	370		F/R			
	B		PURSANG MK11 370	370		F/R			
	B		PURSANG MK12 370	370		F/R			
	B		PURSANG MK9 370	370		F/R			
	MONTESA		B	RC 248	248		F/R		
	FSB858		CAGIVA	B	SST 125 LOW RIDER	125	1983		R
				B	SST 125 spoke wheel	125			R
				B	XSST 125	125	1981		R
B		XSST 125		125	2000		R		
B		SST 250		250	1979	1980	R		
B		SST 250		250	2000		R		
FSB859	CAGIVA	B	SST 250	250	2000		R		
FSB860	CASAL	B	50 CICLOMOTORI (diam.110)	50			F/R		
FSB861	CASAL	B	50 CICLOMOTORI (diam.140)	50			F/R		
FSB862	ITALJET	B	BAZOOKA 1 50	50	1991		R		
		B	BAZOOKA 2 50	50	1992	1997	R		
		B	PISTA 2 50	50	1992	1996	R		
		B	REPORTER 50	50	1990	1993	R		
		B	SCOOP 50	50	1993		R		
		B	YANKEE 8 50	50	1994		R		
		FSB863	BMW	B	R 100 1000 R	1000	1991	1995	R
B	R 100 1000 R ROADSTER - MYSTIC			1000	1993	1996	R		
B	R 100 1000 RT			1000	1991	1995	R		
FSB864	MOTOBECANE	B	all models 50 (mozzi atom)	50	1988	1989	R		
		B	all models 50 (mozzi leleu)	50	1988	1989	R		
FSB865	MOBYLETTE	B	Mopeds 50	50			F		
FSB866	MOBYLETTE	B	Mopeds 50	50			R		
FSB867	DERBI	B	AVENTURA 50	50	1996		R		
		B	BOX 50	50	1994		F/R		
		B	COPPA 50 FDT	50	1986		R		
		B	COPPA 50 FDX	50	1987		R		
		B	DS 50 WORLD CHAMPION	50	1988		R		
		B	FD 50 JUMBO	50	1985		R		
		B	FENIX 50	50	1994		R		
		B	FURAX 50	50	1996		R		
		B	FY 50 JUMBO	50	1984		R		
		B	URBAN 50	50	1994		F/R		



				CC	FROM	TO	FRONT / REAR	
FSB869	PIAGGIO	B	VAMOS 50 R	50	1996		R	
		B	VARIANT 50 SPORT R	50	1994		R	
		B	TT8 75	75	1984		R	
		B	TT8 75 (camme 10mm)	75	2000		F/R	
		B	YUMBO 75 RD-2 FDS	75	1987		R	
		B	TT8 125	125	1984		F/R	
		B	TT8 125 (camme 10 mm)	125	2000		F/R	
		B	VESPA 150 SPRINT VELOCE	150			F	
		B	VESPA 160 GS	160			F	
		B	VESPA 180 SS	180			F	
B	VESPA 200 RALLY	200			F			
FSB870	GARELLI	B	TEAM MATIC 50	50	1988		F	
FSB871	MBK	B	EVASION 50 (ruote in lega oblique)	50			F/R	
		B	HARDROCK 50 (ruote in lega oblique)	50			F/R	
		B	MAGNUM 50 (ruote in lega oblique)	50			F/R	
		B	PASSION 50 (ruote in lega oblique)	50			F/R	
FSB872	PIAGGIO (motocarr)	B	APE CAR 220 P2/P3	220	1978	1985	F	
		B	APE TM 220 P 602	220	1982	1983	F	
		B	APE TM 420 D LCS	420	2005		F	
		B	APE TM 420 P703 / P703 V / FL 2	420	1984	2001	F	
		B	APE TM 420 P703 / P703 V DIESEL	420	1987	2001	F	
		FSB873	PIAGGIO	B	VESPA 125	125	1963	1972
B	VESPA 150			150	1963	1972	R	
FSB874	PIAGGIO	B	VESPA 50 HP	50	1992	1996	F/R	
		B	VESPA 50 PK SPECIAL - XL	50	1986	1989	R	
		B	VESPA 50 PK XL 2	50			F/R	
		B	VESPA 50 PK XL 2 AUTOMATICA	50			F	
		B	VESPA 50 V FL 2	50	1990	1996	F/R	
		B	VESPA 125 PK AUTOMATICA	125	1984		F	
		B	VESPA 125 PK SPECIAL - XL	125	1986		F/R	
		B	VESPA 125 PK XL 2	125			F/R	
		B	VESPA 125 PX	125	1978	1982	F/R	
		B	VESPA 125 PX	125	1998		R	
		B	VESPA 125 PX ARCOBALENO	125	1983	1990	F/R	
		B	VESPA 125 V FL2	125	1991	1997	F/R	
		B	VESPA 150 PX	150	1978	1982	F/R	
		B	VESPA 150 PX	150	1998		R	
		B	VESPA 150 PX ARCOBALENO	150	1983	1990	F/R	
		B	VESPA 150 SPRINT VELOCE	150			R	
		B	VESPA 160 GS	160			R	
		B	VESPA 180 SS	180			R	
		B	VESPA 200 PE	200	1983		F/R	
		B	VESPA 200 PX	200	1998		R	
B	VESPA 200 PX ARCOBALENO	200	1983		F/R			
B	VESPA 200 PX E	200	1978		F/R			
B	VESPA 200 RALLY	200			R			
B	VESPA 80	80			R			
B	VESPA 80 PX	80			R			
B	VESPA 80 SPECIAL	80			R			
B	VESPA 125 PX	125			F/R			
B	VESPA 150 PX	150			F/R			
FSB875	PIAGGIO	B	VESPA 125	125	1951	1962	R	
		B	VESPA 150	150	1951	1962	R	
FSB876	APRILIA	B	ETX 125	125	1984		R	
		B	RED ROSE 125	125	1989	1989	R	
		B	RED ROSE 125	125	1990		R	
		B	ST 125	125	1987		R	
		B	STX 125	125	1984		R	
		B	STX 125	125	1986		R	
		BETA	B	125 SCRAMBLER	125	1982		R
			B	CUSTOM 125	125	1982		R
			B	CUSTOM 250	250	1982		R
			B	250 DESMO	250	2000		R
DUCATI	B	350 DESMO	350	2000		R		
	B	SPORT 125	125	2000		R		
FANTIC	B	SPORT 125 MK II	125	2000		R		
	B	STRADA 125 (FM. 4000-A)	125	1983		R		
GARELLI	B	TSR 125	125			R		
	B	TSR 125 SELF MIX	125			R		
GILERA	B	RV 125	125	1983		R		
	B	RV 125 ES	125	1987		R		
	B	TG1 125	125			R		
	B	TG2 125	125			R		
	B	TG3 125	125			R		
	B	T4 200	200			R		
LAVERDA	B	T4C 200	200			R		
	B	T4S 200	200			R		
	B	125	125			R		



			CC	FROM	TO	FRONT / REAR
...FSB876		B	125	2000		R
		B	125 (Brembo caliper)	1982		R
		B	125 (Grimeca caliper)	1982		R
		B	LB 125 CUSTOM			R
		B	LB 125 STRADA			R
		B	LB 125 UNO			R
	MOTO MORINI	B	BICILINDRO 250	250	1979	R
		B	MONOCILINDRO 250	250	2000	R
		B	GT 350	350	1979	R
		B	GT 350 TURISMO	350	1980	R
		B	SPORT 350	350	1980	R
	PUCH	B	F5 250 REGOLARITA'	250	1983	R
		B	HFE 250	250	1986	1986 R
		B	MC 250 VHS W	250	1983	R
		B	FS 347 REGOLARITA'	347	2000	R
		B	MC 496	496	2000	R
FSB877	BENELLI	B	CITY BIKE 50	50		F/R
		B	S 50	50	1981	1987 F
		B	S 50 (tutti i modelli)	50	1987	F
		B	S 50 LUSO	50	1981	1987 F
		B	SCOOTY 50	50		F/R
	FANTIC	B	ISSIMO 50	50	1984	F/R
		B	ISSIMO 50 (alloy wheels)	50		F/R
	GARELLI	B	BASIC 50 (alloy wheel fondermonte)	50		F/R
		B	NOI 50 (alloy wheels fondermonte)	50		F/R
		B	VIP 50 alloy wheels (fondermonte)	50		F/R
	PUCH	B	MAXI 80 EXECUTIVE	80	1988	R
FSB878	PIAGGIO (motocari)	B	APE CAR	50		F
FSB879	PIAGGIO	B	VESPA 150 SUPER	150		R
FSB880	MOTO GUZZI	B	V 7 700	700	1967	1976 F
FSB881	MOTO GUZZI	B	V 7 700	700	1967	1976 R
		B	V 7 700 SPECIAL	700	1969	1971 R
FSB882	PIAGGIO (motocari)	B	APE MP	50		F
FSB883	PGO	B	BIG MAX 50	50	1995	2004 R
		B	BIG MAX 50 S	50	2003	2004 R
		B	COMET 50	50	1991	R
		B	GALAXI 50	50	1992	R
		B	PMX 50	50	2000	2004 R
		B	PS 50	50	1993	R
		B	SUPER FIFTY 50 (BRASIL)	50		R
		B	GALAXI 90	90	1992	R
		B	PMX 110	110	2000	2004 R
	SUZUKI	B	TR 50 STREET MAGIC	50	1998	2000 R
		B	ADRESS 100 V	100	1992	1996 R
		B	UG 110 HOKUTO	110	2000	2004 R
FSB884	PIAGGIO (motocari)	B	APE 150 C4	150		R
		B	APE 175 PENTARO'	175		R
FSB885	PIAGGIO	B	VESPA 50	50		R
FSB886	PIAGGIO (motocari)	B	APE 50	50		R
FSB887	FANTIC	B	TRIAL 50 JUNIOR	50	1987	R
	PIAGGIO	B	VESPA 50 PK XL 2 AUTOMATICA	50		R
		B	VESPA 125 PK AUTOMATICA	125	1984	R
FSB888	PIAGGIO (moped)	B	SUPERBRAVO 50 3 Marce	50	1987	R
FSB889	GILERA	B	CB 1 50	50		R
		B	CBA 50	50		R
		B	CBA 50	50	1986	R
		B	ECO 50	50		R
		B	TREND 50	50	1989	1992 R
	ITALJET	B	SHOPPING 50	50	1990	R
	PIAGGIO (moped)	B	BOSS 50	50	1988	R
		B	BOXER 50	50		R
		B	BRAVO 50	50		R
		B	BRAVO 50 (alloy wheels 90mm hub)	50	1987	R
		B	BRAVO 50 (alloy wheels)	50	1987	R
		B	CIAO 50	50		R
		B	CIAO 50 (alloy wheels)	50	1987	R
		B	CIAO 50 MIX	50	1997	R
		B	GRILLO 50	50	1989	R
		B	SI 50	50		R
		B	SI 50 (alloy wheels)	50	1980	R
		B	SI 50 MIX	50	1997	R
		B	SUPER BRAVO 50	50	1985	R
FSB890	PIAGGIO	B	VESPA 50	50		F
		B	VESPA 50 PK SPECIAL - XL	50	1986	1989 F
		B	VESPA 50 SPECIAL	50		F
		B	VESPA 90 PRIMAVERA	90		F
		B	VESPA 125	125	1951	1962 F
		B	VESPA 125	125	1963	1972 F



			CC	FROM	TO	FRONT / REAR
		B	VESPA 125 ET3	125		F
		B	VESPA 125 PRIMAVERA	125		F
		B	VESPA 150	150	1951	1962 F
		B	VESPA 150	150	1963	1972 F
		B	VESPA 150 SUPER	150		F
	PIAGGIO (motocari)	B	APE 50	50		F
		B	APE 150 C 1/2/3	150		F
		B	APE 150 C4	150		F
		B	APE 175 PENTARO'	175		F
	PIAGGIO (Spain)	B	VESPA 80	80		F
		B	VESPA 80 PX	80		F
		B	VESPA 80 SPECIAL	80		F
FSB891	PIAGGIO	B	VESPA 50 SPECIAL	50		R
		B	VESPA 90 PRIMAVERA	90		R
		B	VESPA 125 ET3	125		R
		B	VESPA 125 PRIMAVERA	125		R
FSB892	PIAGGIO	B	COSA 125	125	1989	1991 R
		B	COSA 2 125	125	1992	1997 R
		B	COSA 150	150	1989	1991 R
		B	COSA 2 150	150	1992	1997 R
		B	COSA 2 200	200	1992	R
		B	COSA 200	200	1989	R
FSB893	PIAGGIO	B	COSA 125	125	1989	1991 F
		B	COSA 2 125	125	1992	1997 F
		B	COSA 150	150	1989	1991 F
		B	COSA 2 150	150	1992	1997 F
		B	COSA 2 200	200	1992	F
		B	COSA 200	200	1989	F
FSB894	PIAGGIO	B	SFERA 50	50	1991	1994 F
		B	SFERA 80	80	1994	1996 F
FSB895	GILERA	B	EASY MOVING 50	50	1995	1996 R
		B	NRG 50	50	1995	2003 R
		B	STORM 50	50	1994	1995 R
		B	TYPHOON 50	50	1993	1995 R
		B	TYPHOON 80	80	1995	R
	PIAGGIO	B	FREE 50 (alloy wheels)	50	1996	2000 R
		B	NRG 50	50	1994	1995 R
		B	NTT 50	50	2000	R
		B	QUARTZ 50	50	1992	1996 R
		B	SFERA 50	50	1991	1994 R
		B	ZIP 50	50	1992	1996 R
		B	SFERA 80	80	1994	1996 R
		B	SKIPPER 80	80	1994	1996 R
FSB896	PIAGGIO	B	SCATTO 50	50	1990	1993 F/R
		B	ZUM 50	50	1991	1996 F/R
FSB897	BETA	B	MX6 50 EXPORT	50	1977	F/R
		B	TR 50	50	1980	1986 R
		B	TR 80	80	1980	R
		B	CR 125	125	2000	F
		B	RC 125	125	1976	F
	FANTIC	B	CABALLERO 50 REG. SUPER 6 M	50	2000	F/R
		B	ENDURO 50	50	1983	F/R
		B	R 6 50 SUPER	50		F/R
		B	TRIAL 50 I SERIE (mozzi centrali)	50	2000	R
		B	TRIAL 80	80	2000	F/R
		B	TRIAL 125 7 DAYS (mozzi centrali)	125		F
		B	TRIAL 125 I SERIE. (tel. grig. m. cen)	125		R
		B	TRIAL 125 II SERIE (tel. rosso m. cen)	125		F/R
	GILERA	B	GIUBILEO 98	98		R
		B	GIUBILEO 124	124		R
		B	ARCORE 125	125		R
	MALAGUTI	B	MDX GOLD 50 ENDURO	50	1987	R
		B	MEX 50 ENDURO	50	1985	R
		B	MEX 50 ENDURO	50	1986	R
		B	MGX 50 ENDURO	50	1987	F/R
		B	MLX 50 ENDURO	50	1987	R
		B	RGT 50 SPORT	50	1985	R
	MOTO GUZZI	B	TURISMO 125	125	1974	1981 R
		B	TUTTOTERRENO 125	125	1974	1981 F/R
FSB898	ACCOSSATO	B	50 CROSS	50	2000	F/R
		B	50 ENDURO	50	2000	F/R
		B	CR 50 CROSS COMPETIZIONE	50	1984	F/R
		B	CR 50 ENDURO	50	1984	F/R
		B	CR 50 ENDURO COMPETIZIONE	50	1984	F/R
		B	80 CROSS	80	2000	F/R
		B	CE 80 CROSS H 20	80	1984	R
		B	CE 80 ENDURO H 20	80	1984	R
		B	CE 125 CROSS H 20	125	1984	R

B = Bike
A = ATV
S = Snowmobile

B = Bike
A = ATV
S = Snowmobile



CC FROM TO FRONT / REAR

Model	CC	FROM	TO	FRONT / REAR
..FSB898				
ANCILLOTTI	B CE 125 ENDURO H 20	125	1984	R
	B PS 80 MX	80	1983	F/R
	B PST 125 MX	125	1983	F/R
	B PSV 250 MX	250	1983	F
APRILIA	B MX 50	50	2000	F/R
	B RC 50 SPECIAL	50	2000	F/R
	B MX 125	125	1983	F
	B RX 125	125	2000	F
	B RX 125 (Rimoldi wheels)	125	1984	1985 F
	B TX 125	125	1985	F/R
	B TX 125 M	125	1986	R
	B TX 240	240	1985	F/R
	B TX 300	300	1985	F/R
	B TX 300	300	1986	R
	B TX 300 M	300	1986	R
	B TX 311 M	312	1987	R
	B TRIAL 320	320	1981	F/R
ASPES	B CS 75 50 NAVAHO	50		F
	B CM1 80	80		F/R
	B HOPI 125	125		F
	B JUMA 125	125		F
BETA	B MX6 50	50	1982	F/R
	B TR 50	50	1987	1988 F/R
	B TR 50 (SPAIN)	50	1989	R
	B RX 125	125	1983	R
	B TR 125	125	1980	1985 F/R
	B TR 32 125	125	1986	R
	B TR 33 125	125	1987	R
	B TR 240	240	1980	1983 F/R
	B TR 32 240	240	1984	1985 F/R
	B TR 32 240 (mozzo ant autocentrante)	240	1984	1985 R
	B TR 33 240	240	1986	1988 R
	B TREKKING 240	240	1987	F/R
CAGIVA	B SXT 125	125	1982	R
	B WMX 125	125	2000	F/R
	B WMX 125 (mozzi Rimoldi)	125	1984	R
	B WMX 125 /3	125	2000	F/R
	B WRX 125	125	1982	F/R
	B WRX 125 /1	125	1983	F/R
	B XRX 125	125	1980	F/R
	B XWMX 125	125	1981	F/R
	B WMX 250	250	2000	R
	B WMX 250 /1	250	1983	R
	B WRX 250	250	1983	R
	B WRX 250	250	2000	F/R
FANTIC	B CASA 50	50	1975	F/R
	B COMPETIZIONE 50	50	1975	F/R
	B ENDURO 50 COMPETITION	50	2000	F/R
	B ENDURO 50 REPLICA	50	1980	F/R
	B FAST 50	50	1988	R
	B GRAN TURISMO 50 FOUR (FM. 200)	50	2000	F/R
	B REPLICA 50	50	2000	F/R
	B STRADA 50 (FM. 240)	50	1982	R
	B STRADA 50 SUPER SIX	50	1973	R
	B CROSS 80 COMPETITION	80	1981	F
	B CROSS 80 COMPETITION	80	2000	F/R
	B ENDURO 80	80	1980	F
	B CROSS 125 COMPETITION	125	1980	F
	B ENDURO 125	125	1980	F
	B REGOLARITA' 125	125	1981	F
	B TRIAL 125 .1 Progress 1	125	1986	1986 R
	B TRIAL 125 .1 Progress 2	125	1986	R
	B TRIAL 125 7 DAYS mozzi conici	125		F/R
	B TRIAL 125 III SERIE (mozzi conici)	125		F/R
	B TRIAL 125 PROFESSIONAL (FM.237)	125	1983	F/R
	B TRIAL 200 Progress 1	200	1986	R
	B TRIAL 201 Progress2	201	1986	R
	B TRIAL 240 SEVEN DAYS (FM. 289)	240	1986	R
	B TRIAL 241 PROFESSIONAL	241	1986	R
	B COACH 250	250	1991	R
	B TRIAL 300 (FM. 403)	300	1984	R
	B TRIAL 301 Progress 1 (FM. 266)	301	1985	R
	B TRIAL 301 Progress 2	301	1986	R
	B TRIAL 200 (FM. 350)	350	1978	F/R
	B TRIAL 240 (FM. 450)	450	2000	F/R
GARELLI	B TRIAL 320	320	1986	R
	B TRIAL 320	320	2000	F/R
GILERA	B E1 125	125		F



CC FROM TO FRONT / REAR

Model	CC	FROM	TO	FRONT / REAR	
MALANCA	B E1 125 COMPETIZIONE	125		F	
	B MARK 125	125	1985	R	
PUCH	B GS 80 V	80	1983	F/R	
	B FS 125 REGOLARITA'	125	1983	F/R	
	B F5 250	250	1984	F	
SWM	B GS 50 RBS ENDURO	50	1983	F/R	
	B MC 50 CROSS	50	1983	F/R	
	B MK 50	50	1983	F/R	
	B GS 80 RBS ENDURO	80	1983	F/R	
	B MC 80 CROSS	80	1983	F/R	
	B MK 80	80	1983	F/R	
	B HW 125	125	2000	F/R	
	B MW 125 TRIAL	125	2000	F/R	
	B TL 125	125	2000	F/R	
	B HW 240	240	2000	F/R	
	B MW 240 TRIAL	240	2000	F/R	
	B TL 240	240	2000	F/R	
	B TRIAL 240	240	2000	F/R	
	B HW 320	320	2000	F/R	
	B MW 320 TRIAL	320	2000	F/R	
	B TL 320	320	2000	F/R	
	B TRIAL 320	320	2000	F/R	
	B HW 350	350	2000	F/R	
	B MW 350 TRIAL	350	2000	F/R	
	B TL 350	350	2000	F/R	
FSB899	BETA	B TR 32 240 (mozzo ant autocentrante)	240	1984	1985 F
	FANTIC	B RAIDER 125	125	1983	R
		B RAIDER 125 LC	125	1983	R
		B TRIAL 240 SEVEN DAYS (FM. 289)	240	1986	F
		B TRIAL 300 (FM. 403)	300	1984	F
FSB900	APRILIA	B CLASSIC 50	50	1992	R
		B RED ROSE 50	50	1992	R
		B CLASSIC 80	80	1993	R
	FANTIC	B OASIS 50 .1 KICK	50	1987	R
		B TRIAL 50 .1 H2O	50	1987	R
FSB901	ANCILLOTTI	B PSV 250 MX	250	1983	R
	APRILIA	B MX 125	125	1983	R
		B RX 125	125	2000	R
		B MX 250	250	1983	R
		B MX 250	250	2000	F/R
		B RX 250	250	2000	F/R
	ASPES	B CS 75 50 NAVAHO	50		R
		B DUMA 125	125		R
		B HOPI 125	125		R
		B JUMA 125	125		R
	BETA	B 125 6V	125	1974	F/R
		B 125 SCRAMBLER	125	1982	F
		B CR 125	125	1982	F/R
		B CR 125	125	2000	R
		B RC 125	125	1976	R
		B RC 125 (liquid cooled)	125	1981	F/R
		B RC 125 EXPORT ASPIRATO	125	1980	F/R
		B CR - RV 250	250	1981	F
		B CR 250	250	1983	R
		B GS - RV 250	250	2000	F/R
		B CR - RV 350	350	1980	F
		B GS -RV 350	350	1980	F
	CAGIVA	B ALETTA 125 ELECTRA	125	1988	R
		B SST 125	125	1981	R
		B XSST 125 ruota integrale	125	1978	R
		B MXR 250	250	2000	F/R
		B RX 250	250	2000	F/R
		B MXR 400	400	2000	F/R
		B MXR 500	500	2000	F/R
	FANTIC	B CROSS 80 COMPETITION	80	1981	R
		B ENDURO 80	80	1980	R
		B CROSS 125 COMPETITION	125	1980	R
		B ENDURO 125	125	1980	R
		B REGOLARITA' 125	125	1981	R
	GILERA	B TG1 80	80		R
		B TG2 80	80		R
		B TG3 80	80		R
		B ARCORE 125	125		F
		B E1 125	125		R
		B E1 125 COMPETIZIONE	125		R
		B GR1 125	125		R
		B ARCORE 150	150		R
	KRAMER	B 250	250		R



				CC	FROM	TO	FRONT / REAR	
...FSB901	MOTO MORINI	B	KANGURO 350	350	2000		F	
		B	CAMEL 500	500	1984		R	
		B	CAMEL 500	500	2000		F	
	PUCH	B	F5 250 REGOLARITA'	250	1983		F	
		B	MC 250 VHS W	250	1983		F	
		B	CROSS 347	347	2000		F	
		B	FS 347 REGOLARITA'	347	2000		F	
		B	MC 496	496	2000		F	
	SWM	B	CROSS 125	125	2000		F/R	
		B	ENDURO 125	125	2000		F/R	
		B	ENDURO 175	175	2000		F/R	
		B	CROSS 250	250	2000		F/R	
		B	ENDURO 347	347	2000		F/R	
		B	CROSS 440	440	2000		F/R	
		B	ENDURO 440	440	2000		F/R	
	FSB902	BENELLI	B	BOBO 50	50	1978		F/R
			B	EXPORT 3 V 50	50	1979		F/R
BETA		B	G 2 50	50	1979		F/R	
		B	MOTORELLA 50	50	1979		F/R	
		B	ANDY 50 alloy wheels	50	1978		F/R	
		B	ANDY 50 spoke wheels	50	1978		F/R	
		B	B12 50	50	1973		F/R	
FANTIC		B	MIO 50	50	1979		F/R	
		B	ISSIMO 50 (spoke wheels)	50			F/R	
GARELLI		B	BASIC 50 (spoke wheel)	50			F/R	
		B	EUREKA 50	50			F/R	
GILERA		B	GULP 50	50			F/R	
		B	NOI 50 (spoke wheel)	50			F/R	
		B	NOI 50 MATIC	50			F/R	
		B	SUPER VIP 50	50			F/R	
		B	VIP 50 (spoke wheel)	50			F/R	
		B	CB 1 50	50			F	
	B	CBA 50	50			F		
	B	CBA 50	50	1986		F		
	B	ECO 50	50			F		
	MALAGUTI	B	CHOPPER 25	25	2000		R	
B		CHOPPER 40	40	2000		R		
B		LX 50 SPORT	50	2000		R		
B		Mopeds 50 (all models)	50	2000		R		
MOTO GUZZI	B	RCW 50 RONCO	50	2000		R		
	B	VA 50 OLYMPIQUE	50	2000		R		
	B	CHOPPER 80	80	2000		R		
	B	CHIU' 50	50	1974	1976	F/R		
	B	DINGO 50 3 V	50	1975	1976	F/R		
	B	DINGO 50 3M	50	1966	1974	F/R		
	B	DINGO 50 M	50	1969	1973	F/R		
	B	DINGO 50 MM	50	1975	1976	F/R		
	B	MAGNUM 50	50	1975	1976	F/R		
	B	TROTTER 50	50	1966	1970	F/R		
PIAGGIO	B	TROTTER 50 MARK M - V	50	1971	1973	F/R		
	B	TROTTER 50 SPECIAL M - V	50	1971	1973	F/R		
	B	TROTTER 50 SUPER	50	1966	1970	F/R		
	B	FREE 50	50	1993	1995	F		
PIAGGIO (moped)	B	BOXER 50	50			F		
	B	BRAVO 50	50			F		
PIAGGIO (Spain)	B	CIAO 50	50			F		
	B	SI 50	50			F		
	B	SUPER BRAVO 50	50	1985		F		
RIZZATO	B	VESPINO 50	50	2000		F		
TOMOS	B	ATALA UNO 50 (spoke wheels)	50			F/R		
	B	K 83	83			F/R		
	B	M 83	83			F/R		
FSB903	GARELLI	B	FORMUNO 50 (up to frame n° 2701551)	50	1987		F	
FSB904	ACCOSSATO	B	CE 80 CROSS H 20	80	1984		F	
		B	CE 80 ENDURO H 20	80	1984		F	
		B	CE 125 CROSS H 20	125	1984		F	
		B	CE 125 ENDURO H 20	125	1984		F	
		B	TUAREG 125	125	1984		F	
APRILIA	B	MX 250	250	1984		F/R		
	B	RX 250	250	1984		F/R		
	B	REGOLARITA' 80	80	1986	1986	R		
FSB905	BETA	B	TR 33 TREKKING 240	240	1988		R	
FSB906	GARELLI	B	FORMUNO 50 (from frame n° 2701552)	50	1987		F	
		B	FOX 50	50	1996		F	
FSB907	ACCOSSATO	B	50 CROSS MINI	50	1982		F/R	
		B	ET 50	50	1984	1986	F	
APRILIA	B	RC 50	50	2000		F/R		
	B	RED ROSE 50	50	1988	1991	R		



				CC	FROM	TO	FRONT / REAR		
	ASPES	B	TUAREG 50	50	1984	1986	F		
		B	CS 50 NAVAHO	50			F/R		
		B	FOUR 50 AE	50	1987		R		
		B	FOUR 50 S	50	1987		R		
		B	FOUR TWIN 50	50	1988		R		
		B	M4 50	50	1983		R		
		B	M6 50	50	1983		R		
		B	MS 50	50	1980		R		
		B	MX4 50 Special	50	1970		F/R		
		B	SCRAMBLER 50 4 M	50	1982		F/R		
		B	SQUIRREL 50	50	1983		R		
		B	TR 50	50	1980	1986	F		
		B	TR 80	80	1980		F		
		B	TRIAL 50 I SERIE (mozzi centrali)	50	2000		F		
		B	TRIAL 125 I SERIE (TEL. grig. m. cen)	125			F		
		FANTIC	GARELLI	B	CICLONE 50 I SERIE (spoke wheel)	50			F/R
				B	CICLONE 50 II SERIE (alloy wheels)	50			F/R
B	CICLONE 50 N DE LUXE SELF MIX L.C			50			R		
B	CICLONE 50 N/N DE LUXE SELF MIX L			50			F/R		
B	GRAN TURISMO 50 (alloy wheel)			50			F/R		
B	KL 50 SV			50			F/R		
MALAGUTI	B			CENTRO 50	50	2000		F	
	B			FIFTY 50 4 MARCE	50	1987		F/R	
	B			FIFTY 50 FULL (all models)	50	1983		R	
	B			FIFTY 50 HF	50	1987		F/R	
	B			FIFTY 50 HF	50	2000		R	
MOTO GUZZI	B			FIFTY 50 NL	50	1987		F/R	
	B			FIFTY 50 TOP	50	1985		R	
	B			WC 50 WATERCOOLED	50	2000		R	
	B			DINGO 50 CROSS	50	1966	1974	F/R	
	B			DINGO 50 GT	50	1966	1974	F/R	
	B			DINGO 50 SPORT	50	1966	1974	F/R	
	B	DINGO 50 SUPER	50	1966	1974	F/R			
	B	DINGO 50 TURISMO	50	1966	1974	F/R			
	RIZZATO	B	ATALA CALIFFONE 50 (alloy wheels)	50			F/R		
	B	ATALA MASTER 50 (alloy wheels)	50			F/R			
SWM	B	TL 50 TRIAL	50	2000		F/R			
	B	TR 50	50	2000		F/R			
	B	TL 80 TRIAL	80	2000		F/R			
	B	TR 80	80	2000		F/R			
FSB908	BENELLI	B	G 2 50 ELLE	50	1979		F/R		
		B	BASIC 50 (alloy wheels grimeca)	50			F/R		
	GARELLI	B	FORMUNO 50 (from frame n° 2701552)	50	1987		R		
		B	FORMUNO 50 (up to frame n° 2701551)	50	1987		R		
		B	FORMUNO 50 F1 RAID	50	1987		R		
		B	NOI 50 (alloy wheels grimeca)	50			F/R		
		B	TEAM MATIC 50	50	1988		R		
		B	VIP 50 (alloy wheels grimeca)	50			F/R		
		MALAGUTI	B	DRIBBLING 50 (all models)	50	1987		F/R	
			B	FIFTY 50 RV	50	1987		F/R	
			B	FIFTY 50 RV VARIATORE / KICK	50	1987		F/R	
			B	FOX 50 CUSTOM	50	1988		F/R	
	PIAGGIO (moped)	B	GRIZZLY 50 (all models)	50	1987		F/R		
		B	GRIZZLY 50 RCX / "12"	50	1987		R		
		B	RANOCCHIO 50 3 RUOTE	50	1988		F/R		
		B	RGT 50 STRADA	50	1983		R		
		B	BOSS 50	50	1988		F		
PUCH	B	BRAVO 50 (alloy wheels 90mm hub)	50	1987		F			
	B	MAXI 80 EXECUTIVE	80	1988		F			
FSB909	APRILIA	B	ETX 125	125	1985	1986	R		
		B	ETX 125	125	1986	1997	R		
		B	RX 125	125	1986		R		
		B	TREND GO WEST 125	125	1987		R		
		B	TUAREG 125	125	1984		R		
FSB910	BETA	B	TUAREG 125 RALLY	125	1986		R		
		B	RX 250	250	1986		R		
		B	TUAREG 250 RALLY	250	1986		R		
		B	PULMAN 50	50	1970		F/R		
FANTIC	B	SPRINTER 50	50	1984		F/R			
	B	SPRINTER 50 3V. R (FM. 248)	50	1983		F/R			
GARELLI	B	JUNIOR 50 TURISMO (spoke wheel)	50			F/R			
GILERA	B	TREND 50	50	1989	1992	F			
	B	SHOPPING 50	50	1990		F			
PIAGGIO (moped)	B	BRAVO 50 (alloy wheels)	50	1987		F			
	B	CIAO 50 (alloy wheels)	50	1987		F			
	B	GRILLO 50	50	1989		F			
	B	SI 50 (alloy wheels)	50	1980		F			
	B	SUPERBRAVO 50 3 Marce	50	1987		F			

B = Bike
A = ATV
S = Snowmobile

B = Bike
A = ATV
S = Snowmobile

**CC FROM TO FRONT / REAR**

FSB910	PIAGGIO (Spain)	B	VESPINO 50	50	1980		F
	RIZZATO	B	ATALA CALIFFONE 50 (spoke wheels)	50			F/R
FSB911	APRILIA	B	TUAREG 250	250	1984		R
	GARELLI	B	TIGER 125 XR	125			R
		B	TIGER 125 XRD	125			R
	GILERA	B	HX 125 LC	125	1983		R
	MOTO GUZZI	B	TT 125	125	1985		R
	TRE SOLDI	B	REGOLARITA' 80	80	1986	1986	F
FSB912	PIAGGIO (Spain)	B	VESPINO 50	50	1980		R
		B	VESPINO 50	50	2000		R
FSB913	YAMAHA	B	XT 125	125	1976		F
		B	YZ 125 C - D - E - F - G - H - J	125	1976	1982	F
		B	IT 175 G - H - I	175	1980	1982	F
		B	IT 250 G	250	1980		F
		B	IT 250 H - J - K	250	1981	1983	F
		B	TY 250 H	250	1981	1983	F
		B	XL 250 G	250	1980		F
		B	YZ 250 D - E - F	250	1976	1979	F
		B	YZ 250 G	250	1980		F
		B	YZ 250 H	250	1981		F
		B	YZ 400 D - E - F	400	1977	1979	F
		B	IT 425 G	425	1980		F
		B	IT 500 G - H	500	1980	1981	F
		B	TT 500 G - H	500	1976	1981	F
FSB914	ITALJET	B	BAZOOKA 1 50	50	1991		F
		B	REPORTER 50	50	1990	1993	F
		B	SCRENNNA 50	50			F
FSB915	PIAGGIO	B	FREE 50	50	1993	1995	R
		B	FREE 50 (alloy wheels)	50	1996	2000	F
		B	ZIP 50	50	1992	1996	F
FSB916	BSA	B	BANTAM D7 175	175			F/R
	TRIUMPH	B	CUB 500	500			F/R
FSB917	BSA	B	BANTAM D1 125	125			F/R
FSB918	BSA	B	C15 250	250			F/R
FSB919	TRIUMPH	B	T 100	100	1970		F
		B	T 120	120	1966		F
		B	T 140	140	1970		F
		B	T 150	150	1969		F
FSB920	NORTON	B	COMMANDO	750	1968	1970	R
FSB921	TRIUMPH	B	T 100	100	1970		R
		B	T 120	120	1966		R
		B	T 140	140	1970		R
		B	T 150	150	1969		R
		B	TIGER 750 TR 7V	750	2000		R
FSB922	NORTON	B	COMMANDO	750	1968	1970	R
FSB923	NORTON	B	adaptable to front 200x30 drums				F
FSB924	BSA	B	A 7 - A 10 125	125			R
FSB925	HONDA	B	FL 400 R PILOT (4W)	400	1989	1990	F
	HONDA ATV	A	TRX 200 Fourtrax	200	1984		F
		A	TRX 250 Drum Brake	250	1985	1987	F
		A	TRX 250 Fourtrax	250	1985	1987	F
		A	FL 350 R ODYSSEY	350	1985	1990	F
		A	FL 400 R Pilot	400	1989	1990	F
FSB927	SUZUKI ATV	A	LT 230 GEF/GEG QUADRUNNER	230	1985	1986	F
		A	LT-F 230 G/H	230	1986	1987	F
		A	LT 250 EF	250	1985	1986	F
		A	LT 300 E	300	1987	1989	F
FSB928	YAMAHA ATV	A	YFM 350 ERT/ERU	350	1987	1988	F
		A	YFM 350 FW T/U	350	1987	1988	F
		A	YFM 350 FW T/U BIG BEAR	350	1987	1988	F
FSB929	SUZUKI ATV	A	LT-F 300 KING QUAD	300	1991	2001	F
		A	LT-F 400 X	400	1991	2000	F
FSB931	HONDA ATV	A	TRX 300 (4WD) FW Fourtrax	300	1988	2000	F
		A	TRX 350 TM/TE/FE/FM Fourtrax Rancher	350	2000	2007	F
		A	TRX 400 Fourtrax Rancher	400	2004	2007	F
		A	TRX 450 FE/FM Fourtrax Foreman ES / S	450	1998	2004	F
		A	TRX 500 FA Fourtrax Rubicon	500	2001	2004	F
		A	TRX 500 FGA Fourtrax Foreman Rubicon Gpscape	500	2001	2005	F
		A	TRX 650 FA Rincon / FGA Fourtrax Rincon Gpscape	650	2003	2005	F
FSB932	KAWASAKI ATV	A	KLF 300 BAYOU A Series	300	1986	1987	F
FSB933	YAMAHA ATV	A	YFM 350 ER E/F/G	350	1993	1995	F
		A	YFM 350 FW H/J/K BIG BEAR	350	1996	1998	F
		A	YFM 350 FW W/A/B/D/E/F/G BIG BEAR	350	1989	1995	F
		A	YFM 400 FW KODIAK	400	1993	1998	F
FSB934	KAWASAKI ATV	A	KAF 300 (MULE 250 / 500 / 550 / 520)	550	1992	2000	F
	SUZUKI ATV	A	LT-F 250 4WD QUADRUNNER	250	1987	2002	F
		A	LT-F 250 F QUADRUNNER	250	1999	2002	F
		A	LT-F 250 QUADRUNNER	250	1988	2001	F

**CC FROM TO FRONT / REAR**

FSB935	PIAGGIO (motocari)	B	APE POKER 420	420	1993		F/R
		B	APE POKER 420 DIESEL	420	1993	1997	F/R
		B	VTL 500 QUARGO	500	2005		F/R
FSB936	CZ	B	adaptable to front 85x20 drums				F
FSB937	PIAGGIO (moped)	B	P1 50	50	1994		F/R
	PUNCH	B	RADICAL 50	50	1994		F/R
FSB938	GILERA	B	RUNNER 50	50	1997	1998	R
		B	TYPHOON 125	125	1995		R
		B	TYPHOON 125 XR KAT	125	2000		R
	PIAGGIO	B	FREE 50	50	2002		R
		B	NGR 50 POWER DT	50	2005	2007	R
		B	NRG 50 DT MC3	50	2001	2005	R
		B	NRG 50 MC2	50	1998		R
		B	NRG 50 MC3	50	1999	2001	R
		B	TYPHOON XR 50	50	2000	2007	R
		B	VELOFAX 50	50	1996		F
		B	VESPA 50 ET2	50	1997	1998	R
		B	VESPA 50 ET4	50	1999		R
		B	XR 50	50	2000		R
		B	ZIP 50	50	1999		R
		B	ZIP 50 Grimeca/Heng Tong A/C 4T	50	2000	2008	R
		B	ZIP 50 SP	50	2001	2006	R
		B	ZIP 50 BASE (Disc)	50	1995	1996	R
		B	ZIP 50 RST	50	1996	1997	R
		B	ZIP 50 SP	50	1996	2000	R
		B	HEXAGON 125	125	1994	1997	R
		B	SFERA 125	125	1995	1997	R
		B	SFERA 125 (4 stroke)	125	1996		R
		B	SKIPPER 125	125	1993	1997	R
		B	TYPHOON 125 / XR 125	125	1995	2000	R
		B	VESPA 125 ET4	125	1996		R
		B	ZIP 125	125	2000		R
		B	HEXAGON 150	150	1994	1999	R
		B	SKIPPER 150	150	1993	1997	R
		B	VESPA 150 ET4	150	1996		R
FSB939	APRILIA	B	SCARABEO 50	50	1994	1995	F
FSB940	GILERA	B	TYPHOON 50	50	1996		R
	PIAGGIO	B	FREE 50	50	1996	2000	R
		B	FREE Delivery 50	50	2000	2001	R
		B	NRG 50	50	1996	1997	R
		B	NRG 50 MC2	50	1996	1997	R
		B	NTT 50	50	1996		R
		B	SFERA 50 RST	50	1995	1997	R
		B	TYPHOON 50	50	1993	1999	R
		B	ZIP 50 Electric	50	2002		R
		B	ZIP 50 FAST RIDER	50	1993	1997	R
		B	TYPHOON 80	80	1993	1996	R
FSB941	MALAGUTI	B	CR1 50 CROSSER	50	1995		R
		B	CR1 50 CROSSER	50	1996		R
FSB942	HONDA	B	XL 250 K3 - K4	250	1978	1979	F
FSB943	HONDA	B	CB 250 B4	250	1973	1975	F
		B	CB 250 K3 - K4 - K5	250	1973	1975	F
		B	CB 350 K4	350			F
		B	CB 360 G5 all models	360	1975		F
FSB944	HONDA ATV	A	TRX 350/TRX 350D Fourtrax/Foreman	350	1986	1989	F
FSB945	HONDA	B	TRZ 200 (4W)	200	1990		F
	HONDA ATV	A	TRX 200 (Fourtrax/SX Fourtrax/D Type II Fourtrax)	200	1986	1998	F
		A	TRX 250 D RECON/TE-TEA Recon ES/TM-TMA Recon	250	1997	2010	F
		A	TRX 300 (2WD) Fourtrax	300	1988	2000	F
FSB946	HONDA	B	125 PANTHEON	125	1998	1999	R
		B	125 PANTHEON	125	2000		R
		B	150 PANTHEON	150	1998	1999	R
		B	150 PANTHEON	150	2000	2002	R
		B	FE 250 FORESIGHT	250	1997	1998	R
	HONDA ATV	A	TRX 350 TM/TE/FE/FM Fourtrax Rancher	350	2000	2007	R
		A	TRX 400 Fourtrax Rancher	400	2004	2007	R
		A	TRX 400 FW / FM Fourtrax Foreman	400	1995	2003	R
		A	TRX 420 FPE/FPM Fourtrax Rancher 4x4	420	2009	2010	R
		A	TRX 420 TM/TE/FE/FM Fourtrax Rancher	420	2007	2010	R
		A	TRX 450 FE/FM Fourtrax Foreman ES / S	450	1998	2004	R
FSB947	APRILIA	B	SCARABEO 100 (Yamaha engine)	100	2000		R
	BENELLI	B	K2 100 BIPOSTO	100	1999		R
	ITALJET	B	MILLENNIUM 100	100	2000	2001	R
		B	MILLENNIUM 100	100	2002	2003	R
		B	MILLENNIUM 125	125	2000	2001	R
		B	MILLENNIUM 125	125	2001	2003	R
		B	MILLENNIUM 150	150	2000	2001	R
		B	MILLENNIUM 150	150	2001	2003	R



			CC	FROM	TO	FRONT / REAR
FSB947	MBK	B	BOOSTER 100	100	2000	2002 R
		B	DOODO 125	125	2001	2003 R
		B	SKYLINER 01 - 125	125	1998	2000 R
		B	DOODO 150	150	2001	2003 R
	YAMAHA	B	SKYLINER 150	150	2000	2002 R
		B	BW" S 100	100	2000	2002 R
		B	YN 100 NEO'S	100	2000	2003 R
		B	BL 125 BELUGA	125	1993	1995 R
		B	RIVA 125 XX	125	1993	R
		B	XC 125 CYGNUS T	125	1995	F
		B	XN 125 N TEO'S	125	2000	2003 R
		B	XV 125 VIRAGO	125	1997	2000 R
		B	XVS 125 DRAG STAR	125	2000	R
		B	YP 125 MAJESTY R	125	1998	2000 R
		B	RT 180	180	1993	1994 R
		B	RT 180 G	180	1995	2000 R
		B	TW 200	200	1993	2000 F
		B	SRV 250 SOULFULTWIN RENAISSA	250	1992	1997 R
		B	XV 250 S DRAGSTER	250	2001	2003 R
		B	XV 250 S VIRAGO	250	1995	2000 R
	YAMAHA ATV	A	YFM 50 RAPTOR	50	2004	2007 R
		A	YFM 80 BADGER	80	1992	2001 R
		A	YFM 80 GRIZZLY	80	2005	2008 R
		A	YFM 80 RAPTOR	80	2002	2008 R
		A	YFA 1 125 BREEZE	125	1992	2004 R
		A	YFM 125 GRIZZLY	125	2004	2010 R
FSB948	YAMAHA ATV	A	YFB 250	250	1995	1998 F/R
		A	YFB 250 D/E/F TIMBERWOLF	250	1992	1994 R
		A	YFB 250 FW TIMBERWOLF	250	1994	2000 F/R
		A	YFM 250 BEAR TRACKER	250	1999	2000 F/R
		A	YFM 250 BEAR TRACKER	250	2001	2004 R
		A	YFM 250 W/A/B	250	1989	1991 F
		A	YFP 350 U Terrapro	350	1988	F
		A	YFM 400 FW Kodiak	400	1999	2000 R
FSB950	SUZUKI	B	T 500 all models	500	1968	1975 F
		B	GT 550 J	550	1972	1972 F
FSB951	PIAGGIO	B	VELOFAX 50	50	1996	R
FSB952	PIAGGIO	B	ZIP 50	50	1999	F
		B	ZIP 50 RST	50	1998	1999 R
	PIAGGIO (moped)	B	CIAO 50 MIX	50	1997	F
		B	SI 50 MIX	50	1997	F
FSB954	APRILIA	B	SCARABEO 100 4T / Net	100	2001	R
		B	HABANA 125 all models	125	1999	R
		B	SR 125	125	1999	R
		B	SR 150	150	1999	R
	GILERA	B	RUNNER 125	125	2000	R
		B	RUNNER 180	180	2000	R
	PIAGGIO	B	FLY 50 2T	50	2005	2007 R
		B	FLY 50 4T	50	2005	2008 R
		B	FLY 50 4T	50	2008	R
		B	LIBERTY 50	50	1997	2003 R
		B	FREE 100	100	2002	R
		B	FLY 125	125	2004	2006 R
		B	HEXAGON 125 LX	125	1998	1999 R
		B	LIBERTY 125 4 T	125	1998	2002 R
		B	SKIPPER 125 ST 4T	125	1998	R
		B	SKIPPER ST 125 (Grimeca caliper)	125	2000	R
		B	SKIPPER ST 125 (Heng Tong caliper)	125	2000	R
		B	TYPHOON 125 / XR 125	125	1999	2003 R
		B	LIBERTY 150	150	2008	R
		B	LIBERTY 150 LE	150	2000	2002 R
		B	SKIPPER 150 ST 4T	150	1998	1999 R
		B	SKIPPER ST 150 (Grimeca caliper)	150	2000	R
		B	SKIPPER ST 150 (Heng Tong caliper)	150	2000	R
		B	HEXAGON 180 LX	180	1998	1999 R
FSB956	APRILIA	B	HABANA 50 all models	50	1998	R
FSB957	SUZUKI	B	UE - 125 EPICURO	125	1998	2000 R
		B	UC 150 EPICURO	150	1998	2000 R
FSB958	KYMCO	B	PEOPLE / PEOPLE S 50 4T	50	1999	R
		B	SUPER 8 50 2T	50	2007	R
		B	MOVIE 125	125	1998	2000 R
		B	MOVIE 125 (4T)	125	2001	2008 R
		B	MOVIE 125 (4T)	125	2008	R
		B	PEOPLE / PEOPLE S 125	125	1999	2005 R
		B	SUPER 8 125	125	2008	R
		B	VIVIO 125	125	2000	2003 R
		B	MOVIE 150	150	2001	R
		B	PEOPLE 150	150	1999	R



			CC	FROM	TO	FRONT / REAR
		B	YAGER 150	150	2001	R
		B	PEOPLE S 200	200	2004	2007 R
	MALAGUTI	B	CIAK 125	125	2001	R
		B	CIAK 150	150	2001	R
FSB959	SYM	B	HUSKY 125	125	2000	R
		B	HUSKY 150	150	2000	R
FSB960	SYM	B	SHARK 50	50	1999	2003 R
		B	ATTILA 125	125	1999	2000 R
		B	EURO MX 125	125	2002	R
		B	HD 125	125	2004	R
		B	MEGALO 125	125	2000	R
		B	EURO MX 150	150	2002	R
		B	SUPER DUKE 150	150	1999	R
		B	HD 200	200	2004	2005 R
FSB962	PEUGEOT	B	ELYSEO 100	100	1999	2002 R
FSB963	HONDA	B	NSC 50	50	2012	R
		B	LEAD 100	100		R
		B	CT 110 X	110	2004	R
		B	NSC 110	110	2010	R
		B	SCV 110	110	2010	2011 R
		B	125 DYLAN	125	2002	R
		B	@ 125 NES	125	2000	R
		B	@ 125 NES	125	2001	R
		B	CBF 125 M	125	2009	2012 R
		B	PCX 125	125	2010	R
		B	PS 125 i	125	2007	R
		B	SH 125	125	2000	2009 R
		B	@ 150 NES	150	2000	R
		B	PS 150i	150	2008	R
		B	SH 150	150	2000	2008 R
FSB964	DAELIM	B	OTELLO / NS 125	125	1999	R
		B	ROCKET 125	125	1999	2001 R
		B	VS 125 CUSTOM	125	2001	R
FSB965	PIAGGIO (motocarr)	B	PORTER	50	1993	R
FSB966	ARCTIC CAT ATV	A	90-Y12 Youth (2T-4T)	90	2002	2005 R
	CAN AM ATV	A	DS 70 (2x4/4T) Mini	70	2008	R
	KYMCO ATV	A	Mongoose 50 (2T)	50	2004	2008 R
	POLARIS ATV	A	Outlaw 50/90		2007	2010 R
		A	SCRAMBLER 50 / 90		2001	2006 R
		A	PREDATOR 50	50	2004	2006 R
		A	Predator 50 (2 stroke)	50	2004	2006 R
		A	PREDATOR 90	90	2003	2006 R
		A	SPORTSMAN 90	90	2001	2010 R
	SYM	B	SHARK 125	125	1999	2002 R
		B	SHARK 150	150	1999	2002 R
FSB967	YAMAHA	B	BW's 125	125	2010	R
		B	CYGNUS X 125	125	2004	2011 R
		B	Xenter 125	125	2012	R
		B	Xenter 150	150	2012	R

B = Bike
A = ATV
S = Snowmobile

B = Bike
A = ATV
S = Snowmobile

FERODO™

MOTORCYCLE PADS



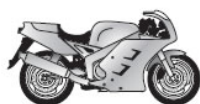
Pads for Racing Calipers

FERODO™

MOTORCYCLE PADS

PADS FOR RACING CALIPERS

PASTIGLIE PER PINZE DA COMPETIZIONE



...AMERICAN IRONHORSE

American Ironhorse 6 Pot	FDB2036
American Ironhorse PM caliper 4 pot	FDB2040

AP RACING

2 Piston n° CP2195	FDB342
2 Piston n° CP2696	FDB342
4 Piston n° CP2044 early w/ tabs	FRP410
4 Piston n° CP3086 radial narrow-band	FRP410
4 Piston n° CP4485	FRP410
6 Piston n° CP4466/4477	FDB2167

BERINGER

4 Piston	FDB574
6 Piston	FDB2036
6 Piston	FDB207

BRAKING

Braking Systems 4 Pot; Twin Pin	FDB2042
---------------------------------	---------

BREMBO

2-Piston (F04 twin pin w/tabs)	FRP405
2-Piston (F08/P108)	FDB108
2-Piston (F08/P108)	FDB148
2-Piston, new for 1997 (P32G)	FDB2074
2-Piston/Large (F09)	FDB204
2-Piston/Small (F05)	FDB207
2-Piston/Small (P30A)	FDB889

BREMBO

220.9885.30 High Perf. Kit Ducati models (100 mm distance)	FDB2218
--	---------

BREMBO

220.A397.10 High Perf. kit Japanese models (108 mm distance)	FDB2218
220A01610	FDB2042
4-Piston Radial mount Billet HP w/ 108mm centers	FDB2042
4-Piston/2 pads; Narrow (GP32/36-2pc), 8.3mm	FDB2007
4-Piston/2 pads; Narrow (GP32/36-mono), 10mm	FDB2123
4-Piston; 8mm pad (P3034)	FRP408
4-Piston; Four Pad - Billet Race	FDB2166
4-Piston; Four Pad Gold Line	FDB2120
4-Piston; Four Pad Gold Line	FDB2120
4-Piston; Four Pad Gold Line	FDB2215
4-Piston; Four Pad Gold Line 8,5 mm thick version	FDB2215
4-Piston; Twin Pin Wide Mount 65mm	FDB2042
Brembo Racing, Billet 2x24mm rear: GP24 (2 piston)	FDB2171
Brembo Racing, Billet 4x24mm rear: GP4-24 (4 piston)	FDB2170
Brembo Racing, Billet rear	FDB2122
GP Type Radial Monoblock Racing Caliper	FDB2228
Radial Caliper M4.32	FDB2265

EBC

4 Piston	FDB2041
----------	---------

FD (DISCACCIATI)

4-Piston	FRP408
6-Piston	FDB873
6-Piston - 9,5mm thick version	FDB2144

FLORIDA CALIPER

4-Piston (Th. 10.7mm)	FDB449
4-Piston (Th. 8.8mm)	FDB662
6-Piston (Harrison)	FRP415

FONTANA

2-Piston	FDB342
----------	--------

GMA

A Series (2-Piston)	FDB151
B Series (2-Piston)	FDB205
BP Series	FDB784
F Series (4-Piston)*	FRP405
Inside/Outside Pulley	FDB2100
S Series (6-Piston)	FDB864

GRIMECA

2-Piston, Castle Top: 1025-1	FDB698
2-Piston, Castle Top: small	FDB694
2-Piston, Castle Top: small	FDB697
2-Piston, medium (four tab, 1010)	FDB205
2-Piston, small (four tab, 1000T)	FDB213
2-Piston, Twin Pin: 1000ST	FDB695
2-Piston, Twin Pin: 1005T	FDB436
2-Piston, Twin Pin: 1025-2	FDB696
2-Piston, Twin Pin: 1050/55	FRP213
6-Piston, Castle Top: 911-755	FDB784

HARRISON BILLET

4 Piston new style	FRP415
4 Piston old style	FDB207
6 Piston new style	FRP415
6 Piston old style	FDB207
MINI 6 (6-Piston)**	FRP415

HAWG HALTERS

4 Pot	FDB2040
6 Pot	FDB2036

HONDA

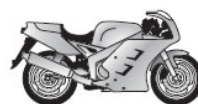
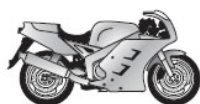
Honda 4 Piston, Brembo / Honda RS	FDB858
Honda 4 Piston, Nissin	FDB533
Honda/Brembo racing kit for RC45	FDB2008

ISR

2-Piston (22-027)	FRP416
-------------------	--------

PADS FOR RACING CALIPERS

PASTIGLIE PER PINZE DA COMPETIZIONE



ISR

2-Piston (22-029)	FDB207
2-Piston (22-030)	FRP405
4-Piston (22-025) *	FRP416
6-Piston, Large **	FRP415

JAYBRAKE

2 & 4* Piston, large	FDB205
2 & 4* Piston, small	FRP405

KELGATE

2 & 4-Piston	FDB342
2 & 4-Piston	FRP213
6-Piston	FDB2091

LEGENDS/NOVA

4-Piston	FDB2040
----------	---------

LOCKHEED

2-Piston	FDB342
4-Piston, 8mm	FRP410
6-Piston (new for 2003)	FDB2167
Radial Mount 4 pot (new '04)	FDB2168

MAGURA

4-Piston Radial Mount	FDB2164
4-Piston Radial Mount	FDB2268
4-Piston Radial Mount	FDB2162
4-Piston Radial Mount - 9.5 mm thick version	FDB2203

MOTO-MASTER

4-Piston	FDB574
----------	--------

NISSIN

Nissin 2pot rear (TZ250, others)	FDB2194
Nissin 4Pot Axial Mnt Racing/billet	FDB858
Nissin 4Pot Radial Mount/billet	FDB2209
Nissin 4Pot Radial Mount/cast two piece	FDB2158
Nissin 6 Piston Racing	FDB2036

PEGASUS

Small Caliper	FRP405
---------------	--------

PERFORMANCE MACHINE

112x6 6-Piston	FDB2036
125x2 2-Piston	FRP405
125x4R 4-Piston; 8mm pad	FDB2040
125x4S 4-Piston *	FRP405
125x4SL 4 Piston *	FRP405
125x6 6-Piston	FDB864
137x4 4-Piston; 11mm pad	FDB2041

137x6 6-Piston	FDB847
----------------	--------

162x2 2-Piston	FDB134
----------------	--------

PFM

Kawasaki SBK caliper 2009	FDB2167
Narrow Blade Billet 6-Piston - Superbike	FDB2167

PRO-ONE

Pro -One 4-Piston - Old	FDB781
Pro-One 2-Piston - Old	FDB207
Pro-One 4-Piston - New	FDB574
Pro-One 6-Piston - New **	FDB207

PVM

2-Piston, rear	FDB2166
4-Piston, 2 piece caliper, 2pad x 8mm	FDB2007
4-Piston, mono blok, 2pad x 10mm	FDB2123
PVM 4 Piston, mono blok, 4pad	FDB2166

REVTECH® / CUSTOM CHROME

RevTech / CCI 4 Pot (CCI #18475)	FRP408
----------------------------------	--------

SPIEGLER

4-Piston	FDB2033
8-Piston	FDB887
8-Piston (narrow)	FDB2034

SPONDON

Spondon 2 Piston	FDB342
Spondon 4 Piston (w/ lugs removed)	FRP410

THUNDERHEART

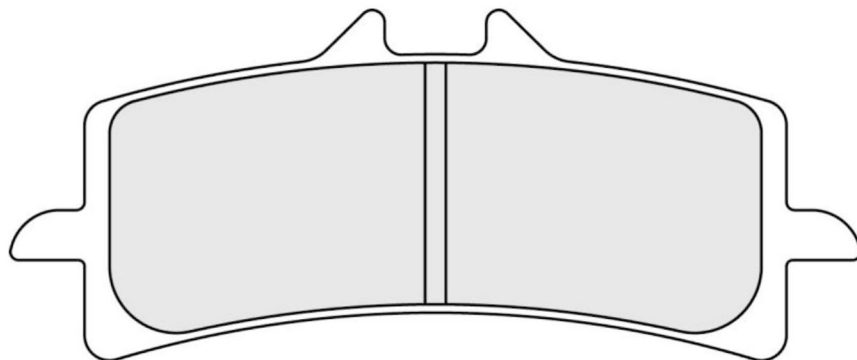
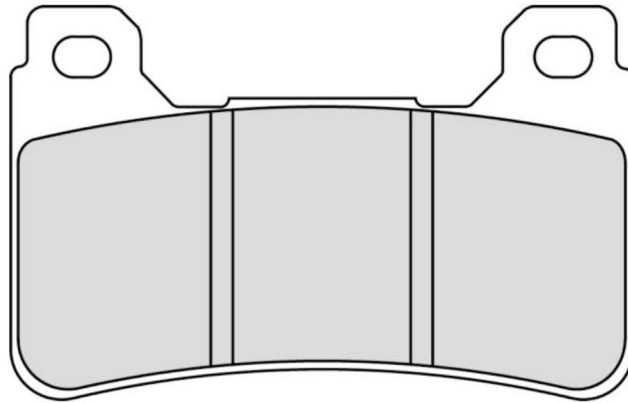
4-Piston	FDB2040
----------	---------

WILWOOD

4-Piston (GP300/310)	FRP408
----------------------	--------

FERODO™

MOTORCYCLE PADS



Pad Drawings

FERODO™

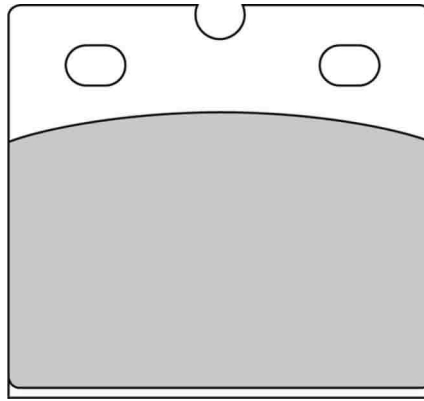
MOTORCYCLE PADS



MATERIAL AVAILABILITY						
P	PRP	AG	SG	ST	CP1	XRAC
✓						

CROSS REFERENCE	
EBC	FA027
SBS	505
VESRAH	VD 904

EQUIVALENT OE #	
OEM Norton	06 6005



ALSO AVAILABLE		
SHAPE	TH. MM	NOTES
FDB148	7.6	

MATERIAL AVAILABILITY						
P	PRP	AG	SG	ST	CP1	XRAC
✓				✓	✓	

EQUIVALENT OE #	
OEM BMW	34 21 7 657 025
OEM BMW	34 11 2 301 360
OEM BMW	34 11 1 454 720
OEM BMW	34 11 1 458 388
OEM BMW	34 21 7 690 262
OEM Ducati	0377 39766
OEM Ducati	0820 39666
OEM Ducati	0370 39760
OEM Moto Guzzi	61654630

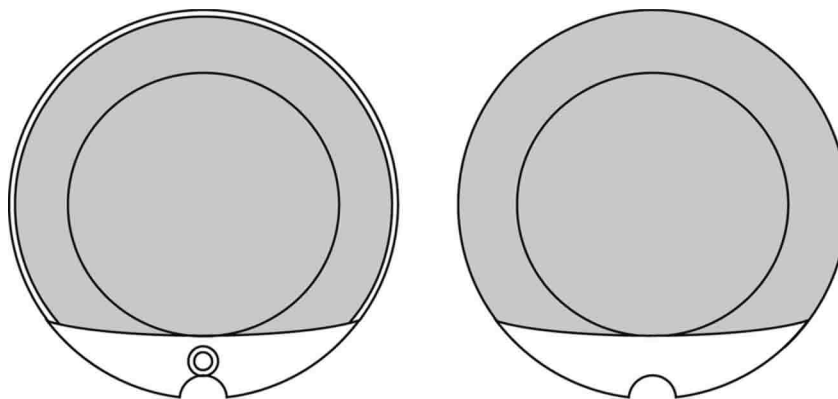
CROSS REFERENCE	
BREMBO	07BB1410
CL BRAKES	2332
EBC	FA018
GALFER	FD 013
NEWFREN	.FD.0013
SBS	506
VESRAH	VD 907

FDB119

51.9 x 51.9 x 12.8 mm / 51.9 x 51.9 x 19.7 mm

HONDA

FRONT



MATERIAL AVAILABILITY						
P	PRP	AG	SG	ST	CP1	XRAC
✓						

EQUIVALENT OE #	
OEM Honda	45105 390 305

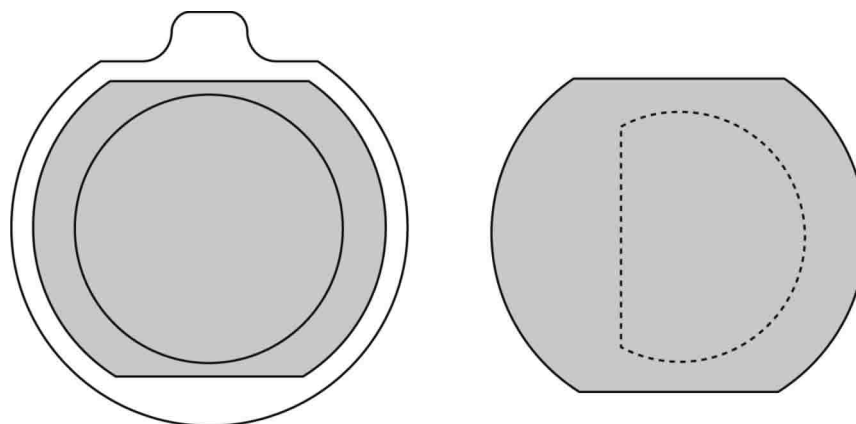
CROSS REFERENCE	
BREMBO	07HO0130
EBC	FA013
GALFER	FD 005
LUCAS	MCB35
NEWFREN	.FD.0005
SBS	501
VESRAH	VD 102
VESRAH	VD 106

FDB132

52.0 x 54.0 x 12.3 mm / 50.0 x 41.0 x 12.3 mm

KAWASAKI

FRONT / REAR



MATERIAL AVAILABILITY						
P	PRP	AG	SG	ST	CP1	XRAC
✓						

EQUIVALENT OE #	
OEM Kawasaki	43082 1005
OEM Kawasaki	43082 1001

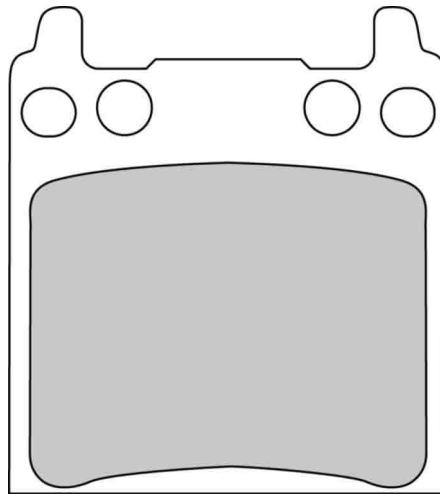
CROSS REFERENCE	
BREMBO	07KA0122
EBC	FA033
EBC	FA073
GALFER	FD 014
LUCAS	MCB79
NEWFREN	.FD.0014
SBS	510
VESRAH	VD 404
VESRAH	VD 408
VESRAH	VD 409
VESRAH	VD 411

FDB134

58.0 x 63.0 x 10.4 mm

HONDA

REAR



MATERIAL AVAILABILITY						
P	PRP	AG	SG	ST	CP1	XRAC
✓						

EQUIVALENT OE #	
OEM Honda	43211 431 305

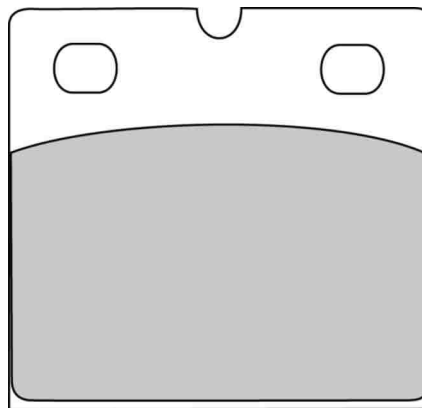
CROSS REFERENCE	
BREMBO	07HO0411
EBC	FA032
GALFER	FD 025
LUCAS	MCB63LF
NEWFREN	.FD.0025
SBS	509
VESRAH	VD 108
VESRAH	VD 116

FDB148

56.0 x 55.0 x 7.6 mm

DUCATI, LAVERDA, MOTO GUZZI, MZ, TRIUMPH

FRONT / REAR



ALSO AVAILABLE		
SHAPE	TH. MM	NOTES
FDB108	9.0	

MATERIAL AVAILABILITY						
P	PRP	AG	SG	ST	CP1	XRAC
✓				✓		

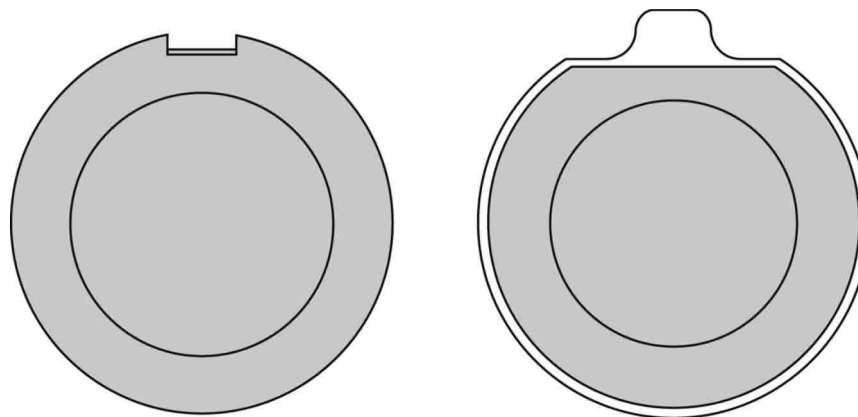
CROSS REFERENCE	
BREMBO	07BB1410
CL BRAKES	2332
EBC	FA018
GALFER	FD 013
NEWFREN	.FD.0189
SBS	506
VESRAH	VD 907

FDB150

50.0 x 53.0 x 12.4 mm / 50.0 x 50.0 x 10.5 mm

SUZUKI

FRONT



MATERIAL AVAILABILITY						
P	PRP	AG	SG	ST	CP1	XRAC
✓						

EQUIVALENT OE #	
OEM Suzuki	59302 45830

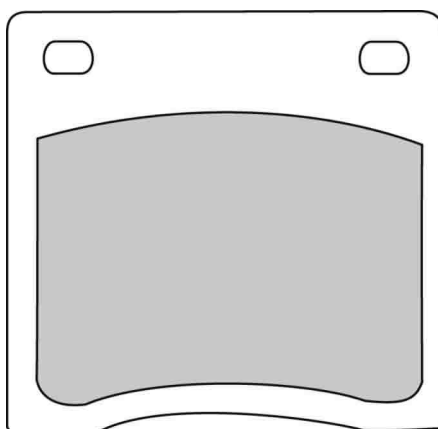
CROSS REFERENCE	
BREMBO	07SU0125
EBC	FA035
GALFER	FD 035
LUCAS	MCB7
NEWFREN	.FD.0035
SBS	511
VESRAH	VD 305

FDB151

58.0 x 53.0 x 9.0 mm

KAWASAKI, SUZUKI

REAR



MATERIAL AVAILABILITY						
P	PRP	AG	SG	ST	CP1	XRAC
✓	✓			✓		

EQUIVALENT OE #	
OEM Kawasaki	43050 1288
OEM Suzuki	69101 45850XNA

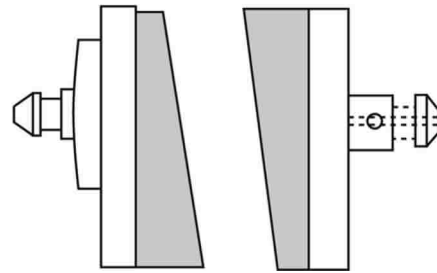
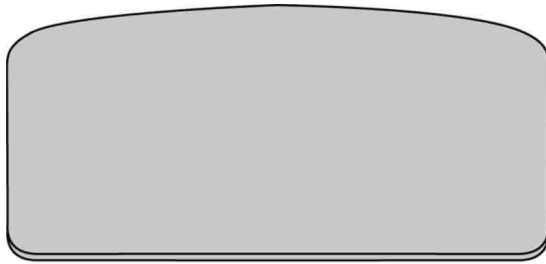
CROSS REFERENCE	
BREMBO	07SU1306
CL BRAKES	2280
EBC	FA036
GALFER	FD 078
LUCAS	MCB591
NEWFREN	.FD.0022
SBS	512
VESRAH	VD 306

FDB155

71.6 x 34.0 x 13.5 mm

BMW

FRONT



MATERIAL AVAILABILITY						
P	PRP	AG	SG	ST	CP1	XRAC
✓						

EQUIVALENT OE #	
OEM BMW	34 11 2 301 358

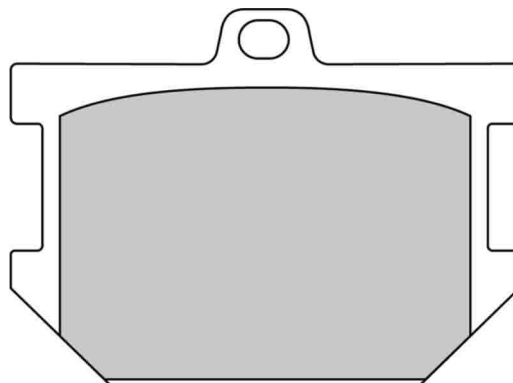
CROSS REFERENCE	
BREMBO	07GR5915
EBC	FA022
GALFER	FD 036
LUCAS	MCB17
NEWFREN	.FD.0036
SBS	520
VESRAH	VD 910

FDB177

67.5 x 49.8 x 11.0 mm

YAMAHA

FRONT / REAR



MATERIAL AVAILABILITY						
P	PRP	AG	SG	ST	CP1	XRAC
✓						

EQUIVALENT OE #	
OEM Yamaha	1J3 2000 013

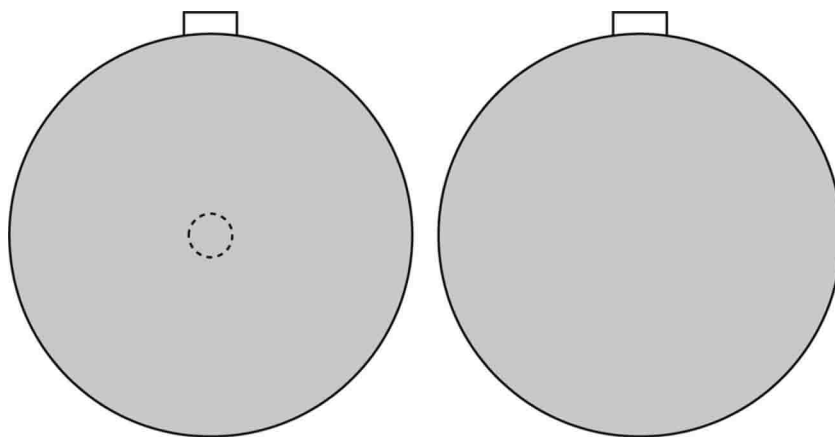
CROSS REFERENCE	
BREMBO	07YA0309
CL BRAKES	2847
EBC	FA034
GALFER	FD 017
LUCAS	MCB68
NEWFREN	.FD.0017
SBS	507
VESRAH	VD 205

FDB178

53.2 x 49.8 x 12.2 mm / 53.5 x 50.0 x 11.7 mm

SUZUKI

FRONT



MATERIAL AVAILABILITY						
P	PRP	AG	SG	ST	CP1	XRAC
✓						

EQUIVALENT OE #	
OEM Suzuki	59300 47880

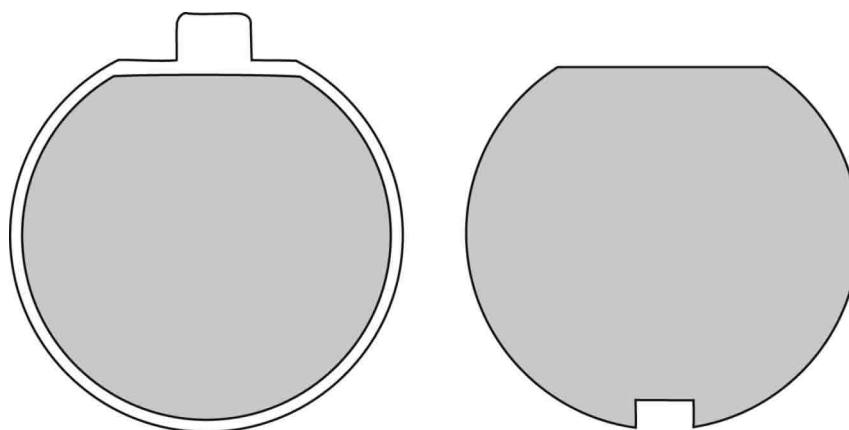
CROSS REFERENCE	
BREMBO	07SU0220
EBC	FA038
GALFER	FD 038
LUCAS	MCB72
NEWFREN	.FD.0038
SBS	515
VESRAH	VD 307
VESRAH	VD 308
VESRAH	VD 310
VESRAH	VD 315
VESRAH	VD 316
VESRAH	VD 320

FDB181

51.3 x 54.7 x 12.4 mm / 49.9 x 44.5 x 12.5 mm

KAWASAKI

REAR



MATERIAL AVAILABILITY						
P	PRP	AG	SG	ST	CP1	XRAC
⚠						

EQUIVALENT OE #	
OEM Kawasaki	43050 5002

CROSS REFERENCE	
BREMBO	07KA0223
EBC	FA037
LUCAS	MCB94LF
SBS	514
VESRAH	VD 405
VESRAH	VD 412

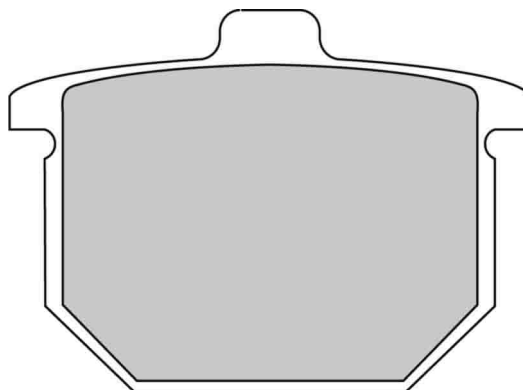
5006

FDB182

69.0 x 49.0 x 9.5 mm

HONDA

FRONT / REAR



MATERIAL AVAILABILITY						
P	PRP	AG	SG	ST	CP1	XRAC
✓						

EQUIVALENT OE #	
OEM Honda	45105 390 305

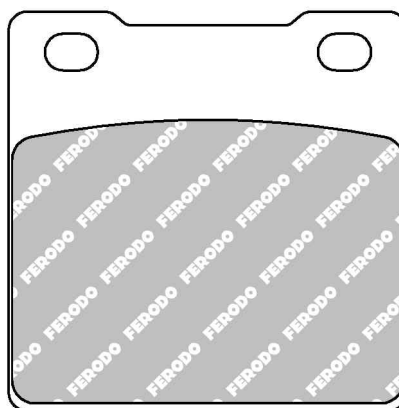
CROSS REFERENCE	
BREMBO	07HO0307
CL BRAKES	2814
EBC	FA030
GALFER	FD 016
LUCAS	MCB54
NEWFREN	.FD.0016
SBS	508
SBS	517
VESRAH	VD 112

FDB183

52.7 x 53.1 x 9.7 mm

HONDA

FRONT



MATERIAL AVAILABILITY						
P	PRP	AG	SG	ST	CP1	XRAC
✓						

EQUIVALENT OE #	
OEM Honda	45105 MA5 305

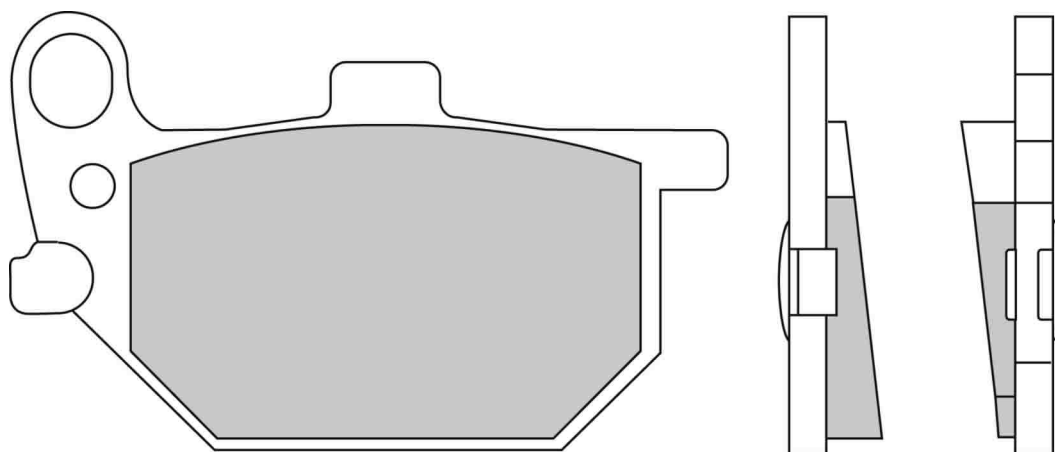
CROSS REFERENCE	
BREMBO	07HO0712
CL BRAKES	2282
EBC	FA045
GALFER	FD 045
LUCAS	MCB55
NEWFREN	.FD.0045
SBS	526
VESRAH	VD 117

FDB184

95.0 x 57.1 x 12.0 mm

YAMAHA

FRONT / REAR



MATERIAL AVAILABILITY						
P	PRP	AG	SG	ST	CP1	XRAC
✓						

EQUIVALENT OE #	
OEM Yamaha	4W1 W0046 09
OEM Yamaha	2G2 W0045 00

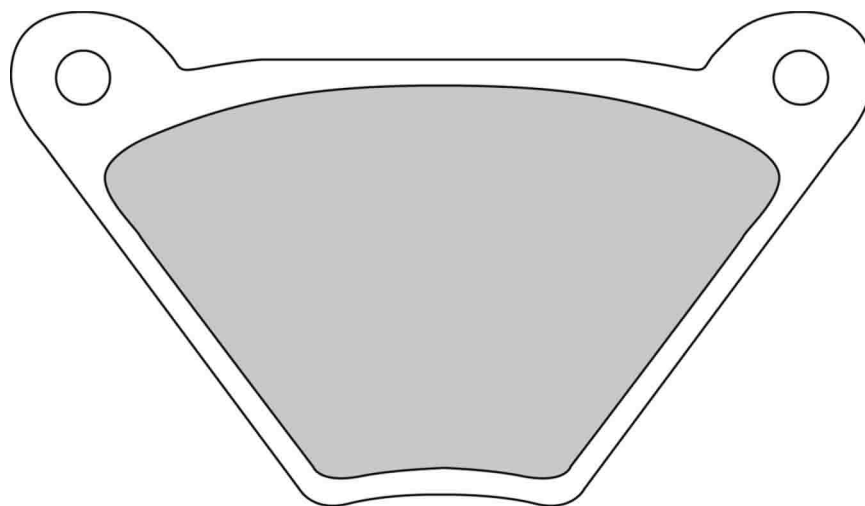
CROSS REFERENCE	
BREMBO	07YA0713
EBC	FA041
GALFER	FD 067
LUCAS	MCB52
NEWFREN	.FD.0065
SBS	528
VESRAH	VD 215

FDB185

114.0 x 65.2 x 7.4 mm

HARLEY DAVIDSON

FRONT / REAR



MATERIAL AVAILABILITY						
P	PRP	AG	SG	ST	CP1	XRAC
✓	✓					

EQUIVALENT OE #	
OEM Harley	44005 78

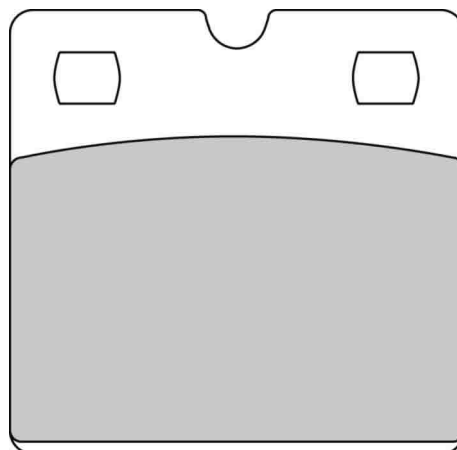
CROSS REFERENCE	
BREMBO	07HD0105
CL BRAKES	2599
EBC	FA024/2
GALFER	FD 019
LUCAS	MCB97
NEWFREN	.FD.0151
SBS	513
VESRAH	VD 915

FDB204

60.0 x 59.0 x 9.0 mm

APRILIA, BENELLI, BMW, MOTO GUZZI

FRONT / REAR



MATERIAL AVAILABILITY						
P	PRP	AG	SG	ST	CP1	XRAC
✓						

EQUIVALENT OE #	
OEM BMW	34 11 2 314 545
OEM Moto Guzzi	18654660

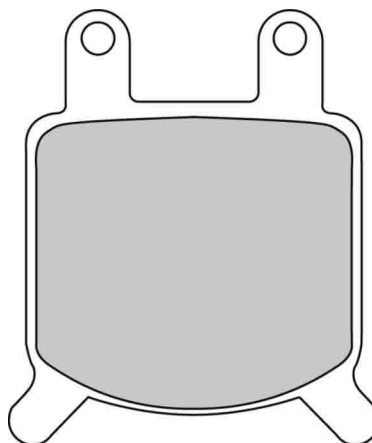
CROSS REFERENCE	
BREMBO	07BB2307
CL BRAKES	2840
EBC	FA077
GALFER	FD 044
LUCAS	MCB533
NEWFREN	.FD.0044
SBS	554
VESRAH	VD 933

FDB205

49.0 x 58.5 x 7.0 mm

ASPES, BETA, GARELLI, GILERA, KREIDLER, MOTO MORINI, ZUNDAPP

FRONT / REAR

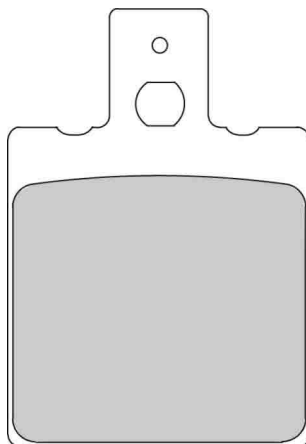


MATERIAL AVAILABILITY						
P	PRP	AG	SG	ST	CP1	XRAC
✓						

CROSS REFERENCE	
BREMBO	07GR0204
EBC	FA076
GALFER	FD 028
LUCAS	MCB536
NEWFREN	.FD.0028
SBS	560
VESRAH	VD 928

ACCOSSATO, ALFER, APRILIA, ATK (USA), BENELLI, BETA, BIMOTA, CAGIVA, CZ, DERBI, DUCATI, FANTIC, GARELLI, GILERA, HERCULES, HRD, HUSQVARNA, ITALJET, KTM, LAVERDA, MAICO, MALANCA, MONTESA, MONTESA (HONDA), MOTO GUZZI, MOTO MORINI, MZ, NORTON, PUCH, SWM, TM, TORNAX, TRE SOLDI, YAMAHA, ZUNDAPP

FRONT / REAR



MATERIAL AVAILABILITY						
P	PRP	AG	SG	ST	CP1	XRAC
✓		✓	✗	✓	✓	

EQUIVALENT OE #	
OEM Aprilia	8213197
OEM Aprilia	8113651
OEM Cagiva	8000 68794
OEM Cagiva	8000 46147
OEM Ducati	61340281A
OEM Ducati	61340541A
OEM Ducati	61340311A
OEM Ducati	61340071A
OEM Ducati	61340081A
OEM Moto Guzzi	276546100
OEM Moto Guzzi	31654665
OEM Moto Guzzi	19654601
OEM Moto Guzzi	36139666
OEM Moto Guzzi	27654610
OEM Moto Guzzi	19654600
OEM MZ	9021035000
OEM Yamaha	3SH F5811 20

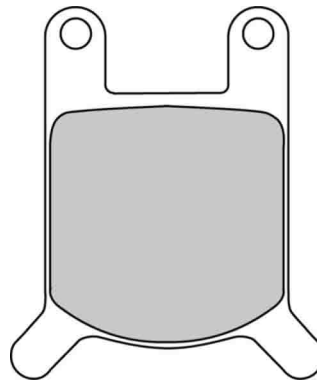
CROSS REFERENCE	
BREMBO	07BB01..
CL BRAKES	2249
EBC	FA047
GALFER	FD 012
NEWFREN	.FD.0012
SBS	519
SBS	583
VESRAH	VD 911

FDB213

41.4 x 48.5 x 5.6 mm

ATK (USA), BENELLI, BETA, CASAL, CIMATTI, FANTIC, GARELLI, HERCULES, HERCULES (SACHS), HOREX, MACAL, MALAGUTI, MALANCA, MOTO GUZZI, MOTRON, OSSA, PUCH, REAL, RIXE, ZUNDAPP

FRONT / REAR



MATERIAL AVAILABILITY						
P	PRP	AG	SG	ST	CP1	XRAC
✓						

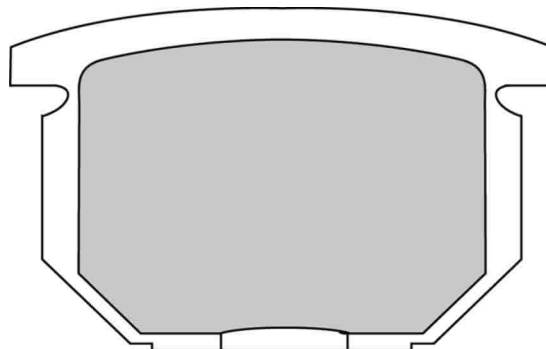
CROSS REFERENCE	
BREMBO	07GR0101
EBC	FA050
GALFER	FD 031
LUCAS	MCB58
NEWFREN	.FD.0031
SBS	532
VESRAH	VD 912

FDB217

72.0 x 45.0 x 11.4 mm

SUZUKI

FRONT



MATERIAL AVAILABILITY						
P	PRP	AG	SG	ST	CP1	XRAC
✓						

EQUIVALENT OE #	
OEM Suzuki	59300 49850

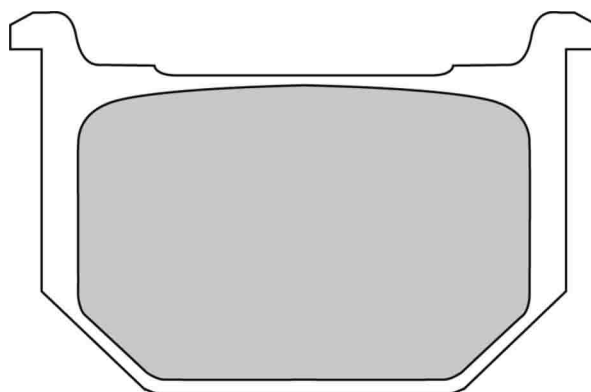
CROSS REFERENCE	
BREMBO	07SU0412
EBC	FA065
GALFER	FD 047
LUCAS	MCB51
NEWFREN	.FD.0047
SBS	534
VESRAH	VD 324

FDB218

78.0 x 50.0 x 10.8 mm

SUZUKI

FRONT



MATERIAL AVAILABILITY						
P	PRP	AG	SG	ST	CP1	XRAC
✓				⚠		

EQUIVALENT OE #	
OEM Suzuki	59330 38300
OEM Suzuki	59330 45260
OEM Suzuki	59300 38810

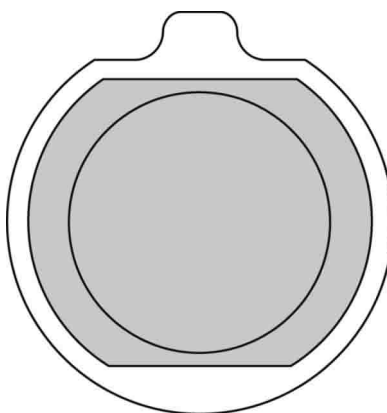
CROSS REFERENCE	
BREMBO	07SU0312
CL BRAKES	2694
EBC	FA051
GALFER	FD 046
LUCAS	MCB59
NEWFREN	.FD.0046
SBS	533
VESRAH	VD 912

FDB220

51.0 x 55.0 x 12.2 mm

KAWASAKI

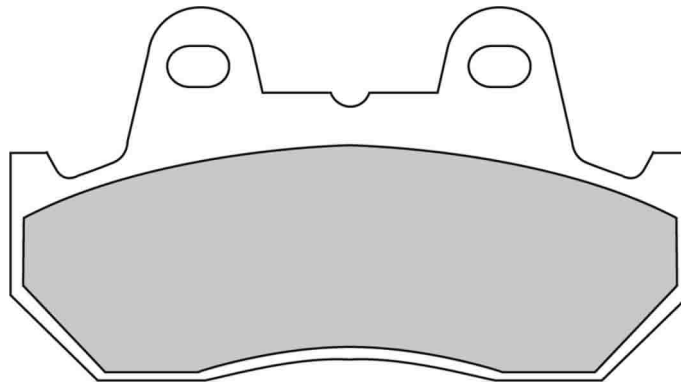
FRONT



MATERIAL AVAILABILITY						
P	PRP	AG	SG	ST	CP1	XRAC
✓				✓		

EQUIVALENT OE #	
OEM Kawasaki	43082 1002

CROSS REFERENCE	
BREMBO	07KA0414
EBC	FA062
LUCAS	MCB55
NEWFREN	.FD.0055
SBS	530
VESRAH	VD 423



ALSO AVAILABLE		
SHAPE	TH. MM	NOTES
FDB538	9.0	
FDB665	11.0	

MATERIAL AVAILABILITY						
P	PRP	AG	SG	ST	CP1	XRAC
✓				✓		

EQUIVALENT OE #	
OEM Honda	45105 MC7 004
OEM Honda	45105 MC7 024
OEM Honda	45105 MM9 781
OEM Honda	43105 MJ4 007
OEM Honda	43105 MJ4 305
OEM Honda	43105 MJ6 007
OEM Honda	43105 MJ6 004

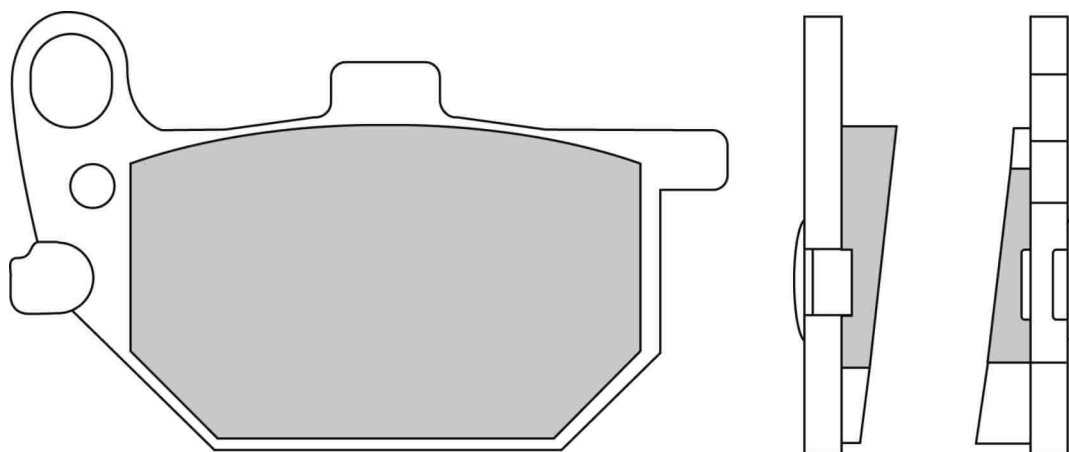
CROSS REFERENCE	
BREMBO	07HO1010
CL BRAKES	2382
CL BRAKES	3011
EBC	FA069
GALFER	FD 054
LUCAS	MCB512
NEWFREN	.FD.0054
SBS	542
VESRAH	VD 123

FDB247

95.0 x 56.0 x 12.0 mm

YAMAHA

FRONT



MATERIAL AVAILABILITY						
P	PRP	AG	SG	ST	CP1	XRAC
✓						

EQUIVALENT OE #	
OEM Yamaha	4H7 W0045 10

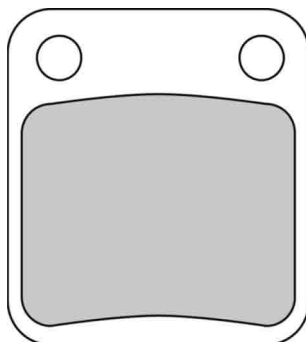
CROSS REFERENCE	
BREMBO	07YA0413
EBC	FA061
GALFER	FD 077
LUCAS	MCB53
NEWFREN	.FD.0066
SBS	545
VESRAH	VD 216

FDB250

40.0 x 45.0 x 7.3 mm

BETA, CAGIVA, DAELIM, HONDA, HONDA 3 WHEELERS, HUSQVARNA, HYOSUNG ATV, KAWASAKI, KAWASAKI ATV, MOTRON, SUZUKI, SUZUKI ATV, SYM ATV, UM ATV, YAMAHA ATV

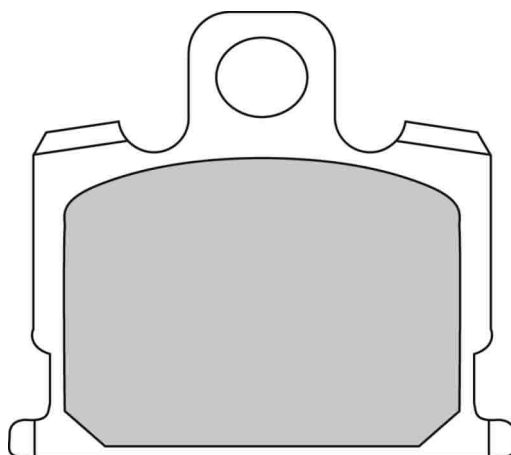
FRONT / REAR



MATERIAL AVAILABILITY						
P	PRP	AG	SG	ST	CP1	XRAC
✓		✓	✓			

EQUIVALENT OE #	
OEM Honda	06455 GBF J01
OEM Honda	45105 GC4 603
OEM Honda	45112 GC4 601
OEM Honda	45105 GBF 405
OEM Kawasaki	43082 1212

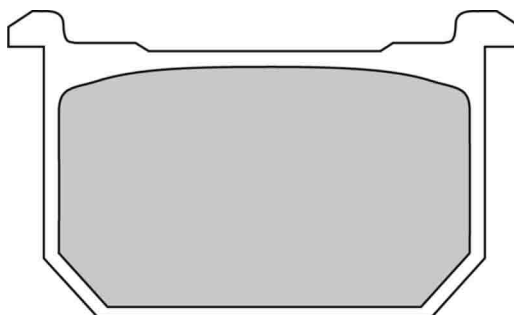
CROSS REFERENCE	
BREMBO	07HO0906
CL BRAKES	2408
EBC	FA054
GALFER	FD 095
NEWFREN	.FD.0080
SBS	536
VESRAH	VD 120



MATERIAL AVAILABILITY						
P	PRP	AG	SG	ST	CP1	XRAC
✓						

EQUIVALENT OE #	
OEM Yamaha	4W1 W0045 00
OEM Yamaha	4L0 W0045 00
OEM Yamaha	23W W0045 00
OEM Yamaha	4W1W004510

CROSS REFERENCE	
BREMBO	07YA0809
CL BRAKES	2807
EBC	FA070
GALFER	FD 051
LUCAS	MCB521
NEWFREN	.FD.0051
SBS	547
VESRAH	VD 228



MATERIAL AVAILABILITY						
P	PRP	AG	SG	ST	CP1	XRAC
✓						

EQUIVALENT OE #	
OEM Kawasaki	43082 1025
OEM Kawasaki	43082 1008

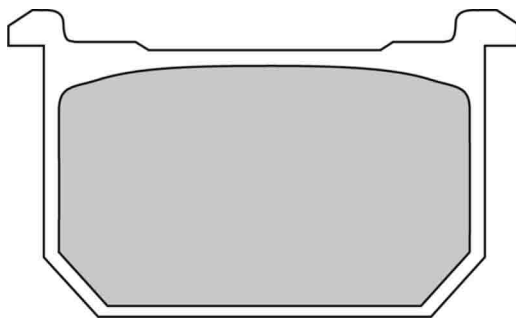
CROSS REFERENCE	
BREMBO	07KA0608
EBC	FA068
LUCAS	MCB516
NEWFREN	.FD.0053
SBS	540
VESRAH	VD 420
VESRAH	VD 421

FDB299

68.0 x 41.0 x 8.2 mm

KAWASAKI

FRONT / REAR



MATERIAL AVAILABILITY						
P	PRP	AG	SG	ST	CP1	XRAC
✓						

EQUIVALENT OE #	
OEM Kawasaki	43082 1007

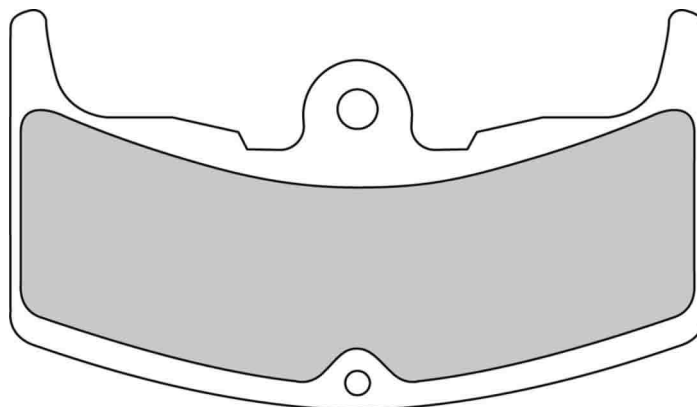
CROSS REFERENCE	
BREMBO	07KA0506
EBC	FA066
EBC	FA068
GALFER	FD 052
LUCAS	MCB515
NEWFREN	.FD.0052
SBS	539
VESRAH	VD 420
VESRAH	VD 421

FDB310

92.0 x 53.0 x 8.4 mm

HONDA

FRONT / REAR



MATERIAL AVAILABILITY						
P	PRP	AG	SG	ST	CP1	XRAC
✓						

EQUIVALENT OE #	
OEM Honda	45105 MA6 007
OEM Honda	45105 MA6 004

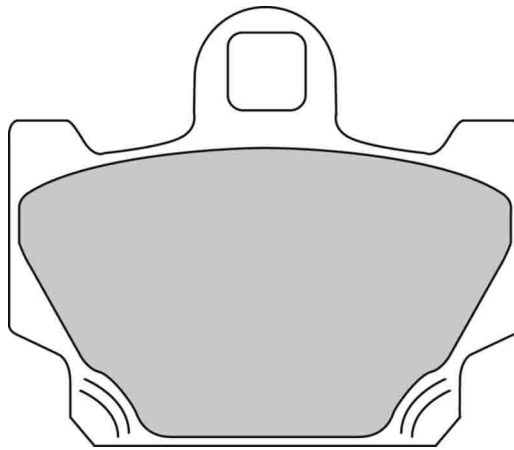
CROSS REFERENCE	
BREMBO	07HO1406
BREMBO	07HO1708
EBC	FA080/2
GALFER	FD 060
NEWFREN	.FD.0063
SBS	552
SBS	571
VESRAH	VD 129 /129/2

FDB311

67.8 x 58.7 x 8.4 mm

YAMAHA

FRONT



MATERIAL AVAILABILITY						
P	PRP	AG	SG	ST	CP1	XRAC
✓						

EQUIVALENT OE #	
OEM Yamaha	2UJ W0045 01
OEM Yamaha	29LW004510

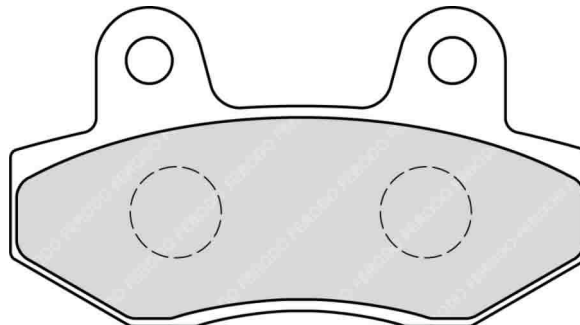
CROSS REFERENCE	
BREMBO	07YA1011
CL BRAKES	2802
EBC	FA081
GALFER	FD 056
LUCAS	MCB524
NEWFREN	.FD.0062
SBS	550
VESRAH	VD 235

FDB312

77.0 x 42.0 x 6.9 mm

DAELIM, HONDA, HYOSUNG, ITALJET, KYMCO

FRONT / REAR



MATERIAL AVAILABILITY						
P	PRP	AG	SG	ST	CP1	XRAC
✓				✓		

EQUIVALENT OE #	
OEM Honda	45105 KR3 014

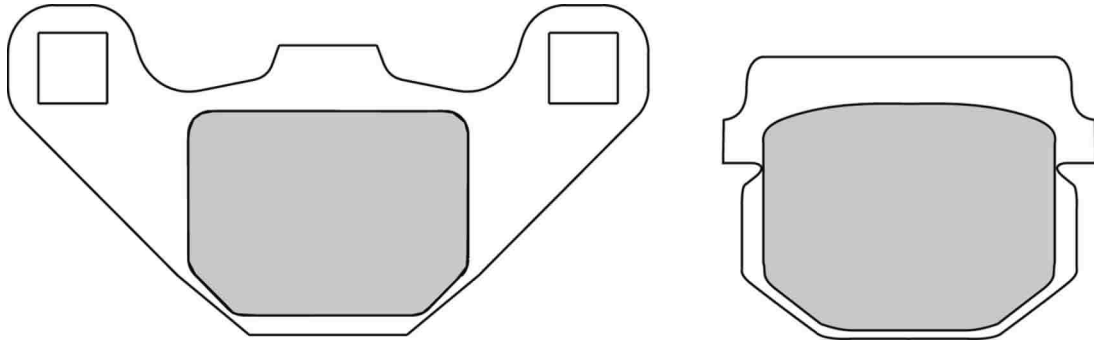
CROSS REFERENCE	
BREMBO	07HO1304
CL BRAKES	2621
EBC	FA086
GALFER	FD 073
NEWFREN	.FD.0075
SBS	551
SBS	814
VESRAH	VD 131

FDB313

85.0 x 43.0 x 6.9 mm / 48.0 x 37.0 x 9.1 mm

ADLY, ADLY ATV, APRILIA, BOMBARDIER ATV, CAN AM ATV, CPI, DINLI ATV, E-TON ATV, HONDA, HYOSUNG, KAWASAKI, KAWASAKI 3 WHEELERS, KAWASAKI ATV, MALAGUTI, PEUGEOT, PGO, PIAGGIO, POLARIS ATV, SUZUKI, TGB, TM, UM ATV, YAMAHA ATV

FRONT / REAR



MATERIAL AVAILABILITY						
P	PRP	AG	SG	ST	CP1	XRAC
✓		✓	✓			

EQUIVALENT OE #	
OEM Kawasaki	43082 1065
OEM Kawasaki	43082 1229
OEM Piaggio	I497417
OEM Suzuki	59300 03860
OEM Suzuki	69100 02822
OEM Suzuki	69100 02821

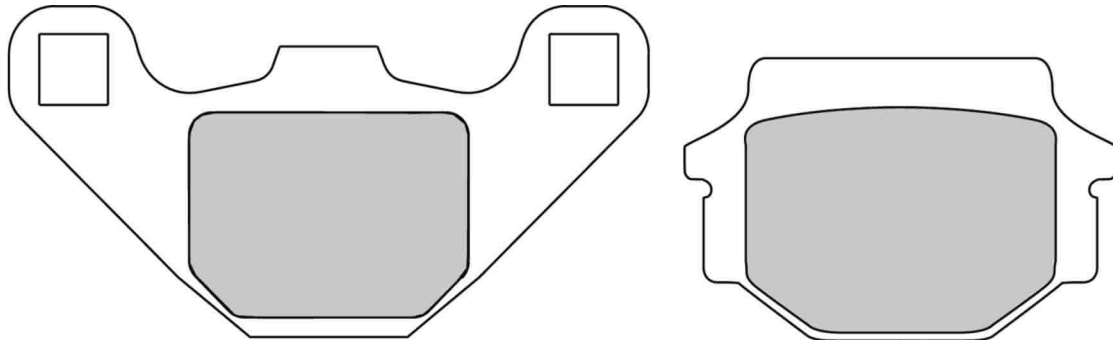
CROSS REFERENCE	
BREMBO	07HO1118
BREMBO	07KA0717
CL BRAKES	2469
CL BRAKES	3022
CL BRAKES	3023
EBC	FA083
GALFER	FD 094
NEWFREN	.FD.0085
SBS	544
VESRAH	VD 342

FDB314

85.0 x 43.0 x 7.7 mm / 56.0 x 37.0 x 10.0 mm

ALFER, APRILIA, BUELL, GASGAS, HUSABERG, HUSQVARNA, KAWASAKI, KAWASAKI 3 WHEELERS, KAWASAKI ATV, KTM, KYMCO, SUZUKI, TM, YAMAHA

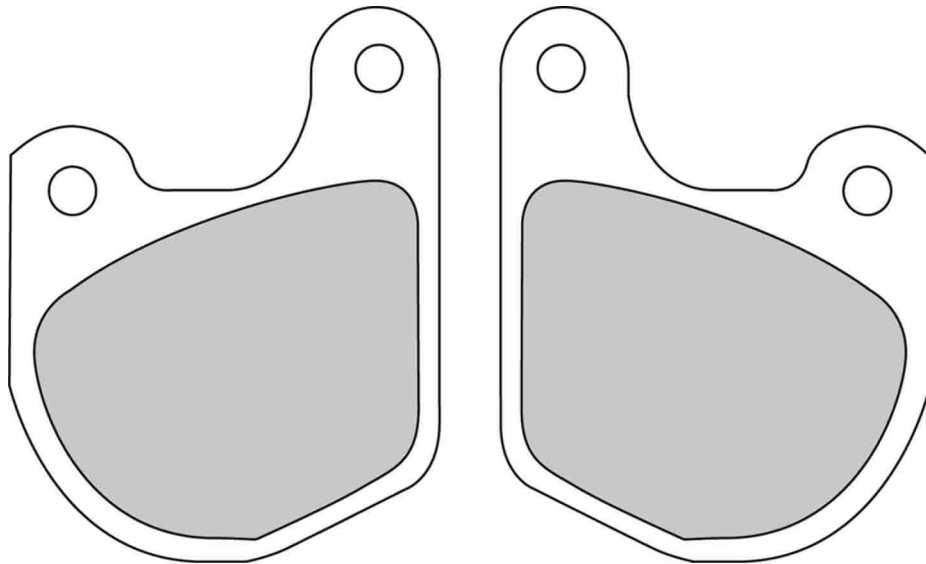
FRONT / REAR



MATERIAL AVAILABILITY						
P	PRP	AG	SG	ST	CP1	XRAC
✓			✓	✓		

EQUIVALENT OE #	
OEM Kawasaki	43082 1163
OEM Kawasaki	43050 1064
OEM Kawasaki	43082 1116
OEM Kawasaki	43082 1096
OEM Kawasaki	43082 1209

CROSS REFERENCE	
BREMBO	07KS0432
CL BRAKES	2306
EBC	FA067
EBC	FA251
GALFER	FD 075
LUCAS	MCB523
NEWFREN	.FD.0073
SBS	546
SBS	586
SBS	692
VESRAH	VD 425



MATERIAL AVAILABILITY						
P	PRP	AG	SG	ST	CP1	XRAC
✓	✓					

EQUIVALENT OE #	
OEM Harley	44032 79

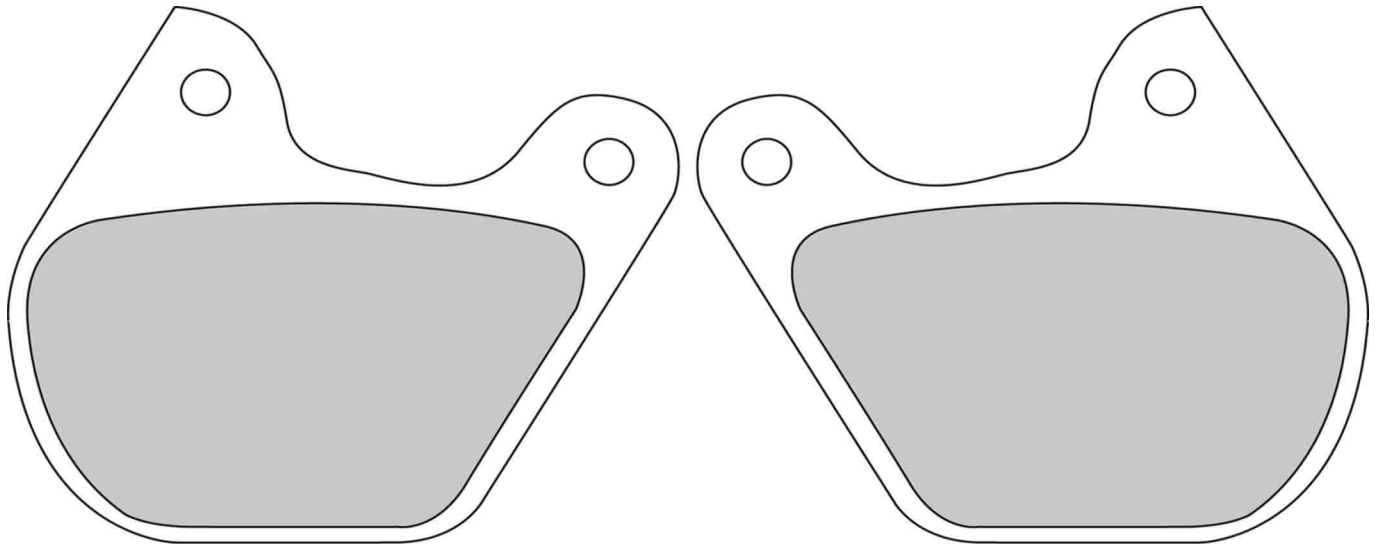
CROSS REFERENCE	
BREMBO	07HD0202
CL BRAKES	2700
EBC	FA071
GALFER	FD 058
NEWFREN	.FD.0153
SBS	537
VESRAH	VD 908

FDB334

71.0 x 89.0 x 6.5 mm

HARLEY DAVIDSON

FRONT / REAR



MATERIAL AVAILABILITY						
P	PRP	AG	SG	ST	CP1	XRAC
✓	✗					

EQUIVALENT OE #	
OEM Harley	43395 80

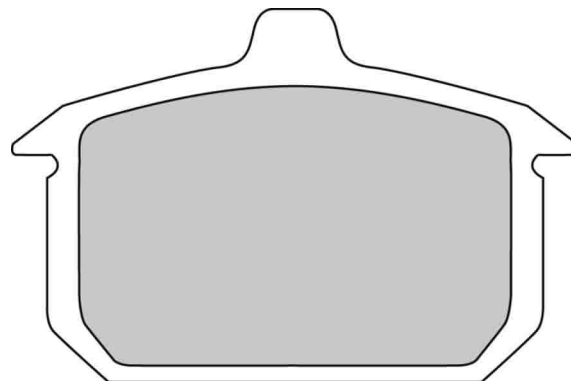
CROSS REFERENCE	
BREMBO	07HD0303
CL BRAKES	2718
EBC	FA072
GALFER	FD 059
LUCAS	MCB518LF
NEWFREN	.FD.0154
SBS	543
VESRAH	VD 909

FDB335

75.0 x 49.0 x 11.9 mm

HARLEY DAVIDSON

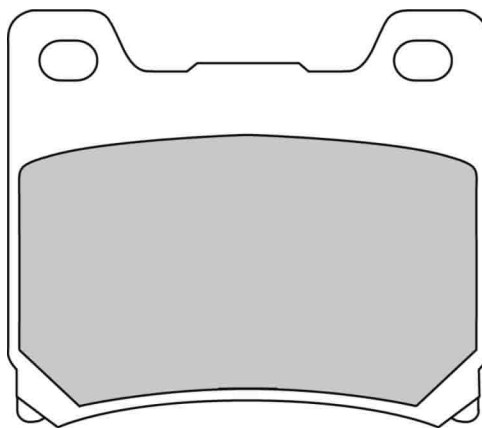
REAR



MATERIAL AVAILABILITY						
P	PRP	AG	SG	ST	CP1	XRAC
✓	✓					

EQUIVALENT OE #	
OEM Harley	44209 82

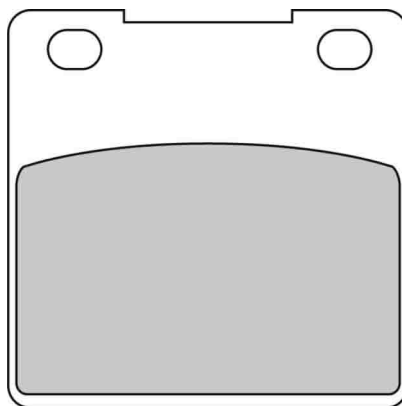
CROSS REFERENCE	
BREMBO	07HD0413
CL BRAKES	2701
EBC	FA078
GALFER	FD 064
LUCAS	MCB527LF
NEWFREN	.FD.0155
SBS	549
VESRAH	VD 918



MATERIAL AVAILABILITY						
P	PRP	AG	SG	ST	CP1	XRAC
✓				✓		

EQUIVALENT OE #	
OEM Yamaha	26H W0045 01
OEM Yamaha	4SV W0045 50
OEM Yamaha	31A W0046 00
OEM Yamaha	1FK W0046 02
OEM Yamaha	29L W0046 00
OEM Yamaha	29L W0046 01
OEM Yamaha	1FK W0046 01
OEM Yamaha	3XF W0045 50
OEM Yamaha	4FM W0046 00
OEM Yamaha	4XV W0046 00

CROSS REFERENCE	
BREMBO	07YA1107
CL BRAKES	2283
EBC	FA088
GALFER	FD 057
LUCAS	MCB53
NEWFREN	.FD.0068
SBS	555
VESRAH	VD 236



MATERIAL AVAILABILITY						
P	PRP	AG	SG	ST	CP1	XRAC
✓				✓		

CROSS REFERENCE	
BREMBO	07KS0507
CL BRAKES	2282
EBC	FA063
EBC	FA161
GALFER	FD 111
LUCAS	MCB531
NEWFREN	.FD.0134
SBS	556
VESRAH	VD 327
VESRAH	VD 416

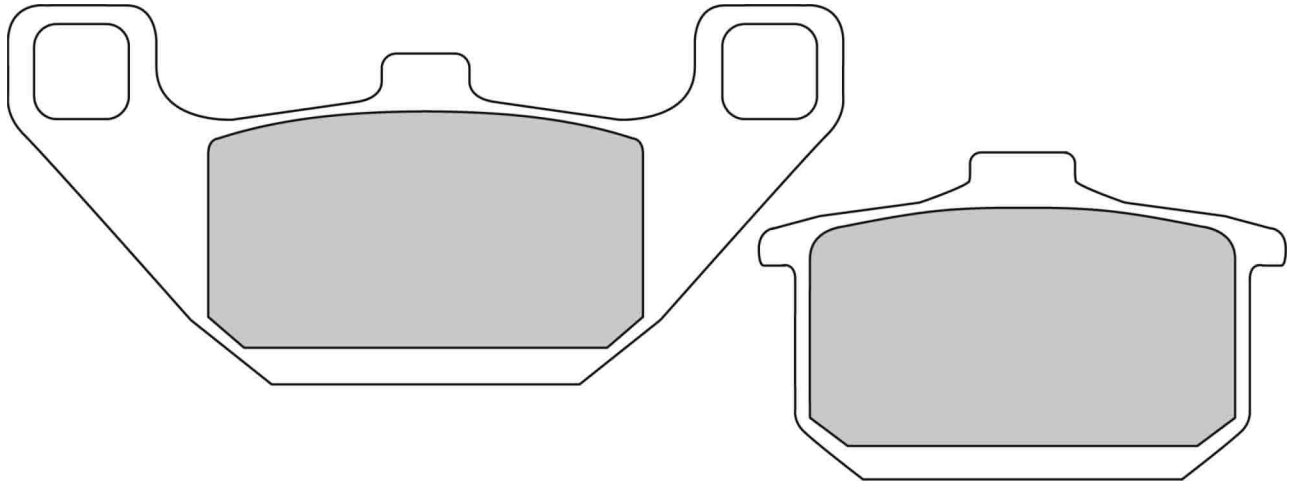
EQUIVALENT OE #	
OEM Kawasaki	43082 1182
OEM Kawasaki	43082 1180
OEM Kawasaki	43082 1098
OEM Kawasaki	43082 1103
OEM Kawasaki	43082 1257
OEM Kawasaki	43082 1200
OEM Suzuki	69130 45C00
OEM Suzuki	69130 48B00
OEM Suzuki	69101 05850
OEM Suzuki	69100 05890
OEM Suzuki	69100 05870
OEM Suzuki	69100 05860
OEM Suzuki	69100 05850
OEM Suzuki	69100 05830
OEM Suzuki	69100 21820
OEM Suzuki	69100 20810
OEM Suzuki	69130 34C00
OEM Suzuki	69130 21E00
OEM Suzuki	69101 05820
OEM Suzuki	69100 34860

FDB339

111.0 x 51.0 x 9.4 mm / 68.0 x 43.0 x 9.8 mm

HYOSUNG, KAWASAKI

FRONT / REAR



MATERIAL AVAILABILITY						
P	PRP	AG	SG	ST	CP1	XRAC
✓				✓		

EQUIVALENT OE #	
OEM Kawasaki	43082 1167
OEM Kawasaki	43082 1080
OEM Kawasaki	43082 1030
OEM Kawasaki	43082 1062
OEM Kawasaki	43082 1194

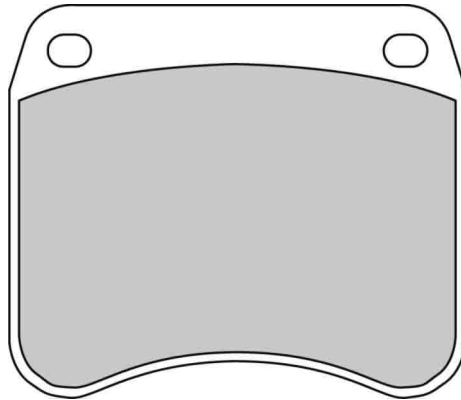
CROSS REFERENCE	
BREMBO	07KA0808
CL BRAKES	2285
EBC	FA085
GALFER	FD 062
LUCAS	MCB532
NEWFREN	.FD.0072
SBS	557
VESRAH	VD 426

FDB342

59.5 x 51.5 x 10.2 mm

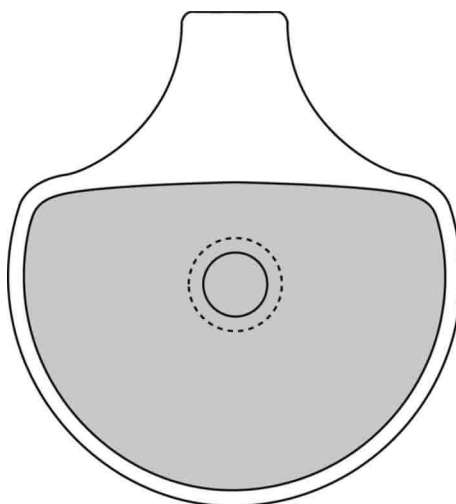
DUCATI, TRIUMPH

FRONT / REAR



MATERIAL AVAILABILITY						
P	PRP	AG	SG	ST	CP1	XRAC
✓				⚠	✓	

CROSS REFERENCE	
BREMBO	07GR6610
EBC	FA016
GALFER	FD 008
LUCAS	MCB99
NEWFREN	.FD.0008
SBS	523
VESRAH	VD 906

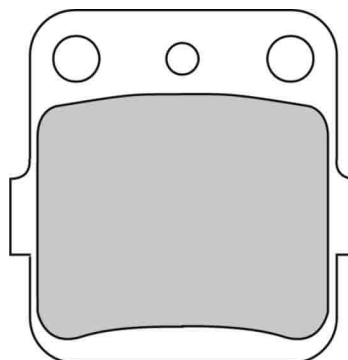


MATERIAL AVAILABILITY						
P	PRP	AG	SG	ST	CP1	XRAC
✓	✓			✓		

EQUIVALENT OE #	
OEM Harley	4406383
OEM Harley	44063 83A
OEM Harley	44063 83B
OEM Harley	440 63 83C

CROSS REFERENCE	
BREMBO	07HD0614
CL BRAKES	2699
EBC	FA094
GALFER	FD 124
LUCAS	MCB548
NEWFREN	.FD.0157
SBS	579
VESRAH	VD 919

FDB381



MATERIAL AVAILABILITY						
P	PRP	AG	SG	ST	CP1	XRAC
✓			✓			

EQUIVALENT OE #	
OEM Kawasaki	K43082 1241
OEM Kawasaki	43082 1066
OEM Kawasaki	43082 1241
OEM Kawasaki	43082 0043
OEM Kawasaki	43082 1205
OEM Kawasaki	43082 1082

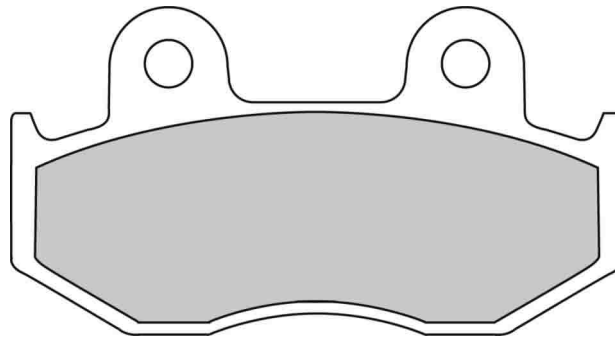
CROSS REFERENCE	
BRAKING	686
BREMBO	07HO2002
CL BRAKES	2328
EBC	FA084
GALFER	FD 076
NEWFREN	.FD.0078
SBS	562
SBS	592
VESRAH	VD 128

FDB382

81.0 x 42.0 x 7.3 mm

HONDA, HONDA 3 WHEELERS, HONDA ATV

FRONT / REAR



ALSO AVAILABLE		
SHAPE	TH. MM	NOTES
FDB2086	8.3	
FDB2119	9.0	

MATERIAL AVAILABILITY						
P	PRP	AG	SG	ST	CP1	XRAC
✓			✓			

EQUIVALENT OE #	
OEM Honda	45105 KA3 731

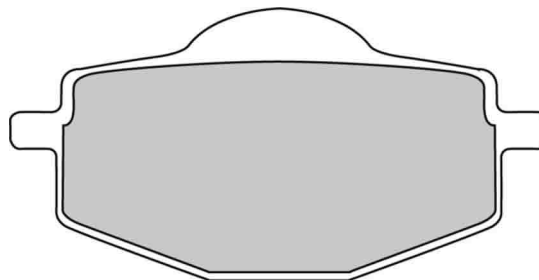
CROSS REFERENCE	
BREMBO	07HO1505
CL BRAKES	2451
CL BRAKES	3019
EBC	FA323/2
EBC	SFA323/2
GALFER	FD 063
LUCAS	MCB534
NEWFREN	.FD.0067
SBS	558
VESRAH	VD 134 /134/2

FDB383

71.0 x 36.0 x 9.4 mm

ADLY, BETA, GILERA, ITALJET, LINHAI, MALAGUTI, MBK, SACHS, YAMAHA, YAMAHA 3 WHEELERS, YAMAHA ATV

FRONT / REAR



ALSO AVAILABLE		
SHAPE	TH. MM	NOTES
FDB475	8.0	

MATERIAL AVAILABILITY						
P	PRP	AG	SG	ST	CP1	XRAC
✓		✓	✓			

EQUIVALENT OE #	
OEM Yamaha	3BN W0045 01
OEM Yamaha	4S5 W0045 00
OEM Yamaha	34X W0046 02
OEM Yamaha	34X W0046 01
OEM Yamaha	3XP W0046 00

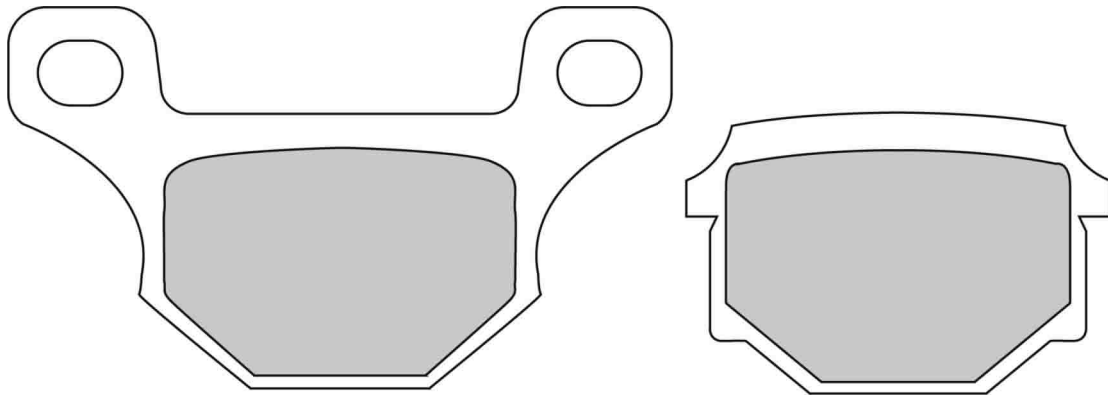
CROSS REFERENCE	
BREMBO	07YA1407
CL BRAKES	2284
CL BRAKES	3008
EBC	FA101
GALFER	FD 079
LUCAS	MCB539
NEWFREN	.FD.0124
SBS	575
VESRAH	VD 239

FDB384

88.1 x 49.1 x 7.5 mm / 56.1 x 36.1 x 10.0 mm

APRILIA, DERBI, RIEJU, SHERCO, SUZUKI

FRONT / REAR



MATERIAL AVAILABILITY						
P	PRP	AG	SG	ST	CP1	XRAC
✓						

EQUIVALENT OE #	
OEM Suzuki	59300 29820

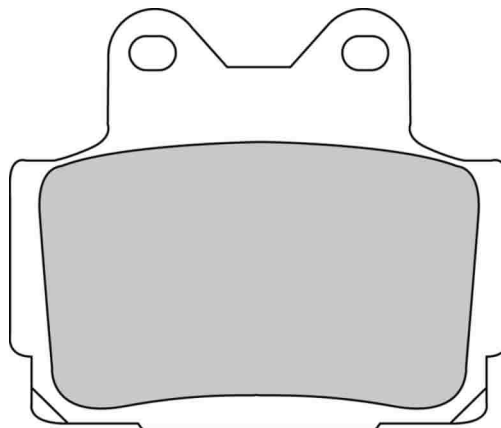
CROSS REFERENCE	
EBC	FA093
GALFER	FD 252
LUCAS	MCB523
NEWFREN	.FD.0077
SBS	585
VESRAH	VD 346

FDB386

66.0 x 56.0 x 8.8 mm

YAMAHA

FRONT / REAR



MATERIAL AVAILABILITY						
P	PRP	AG	SG	ST	CP1	XRAC
✓				✓		

EQUIVALENT OE #	
OEM Yamaha	51L W0046 02
OEM Yamaha	3TJ W0046 00
OEM Yamaha	51L W0045 02

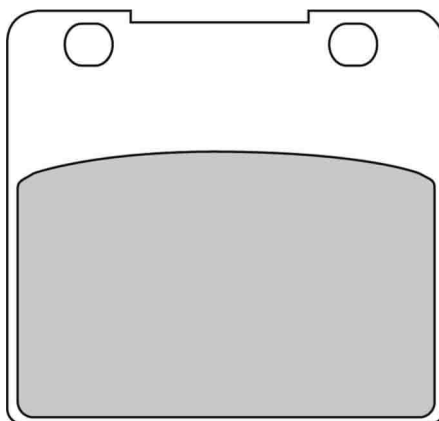
CROSS REFERENCE	
BREMBO	07YA1207
CL BRAKES	2301
EBC	FA104
GALFER	FD 069
LUCAS	MCB541
NEWFREN	.FD.0082
SBS	570
VESRAH	VD 240

FDB389

58.0 x 54.0 x 8.7 mm

SUZUKI

FRONT / REAR



MATERIAL AVAILABILITY						
P	PRP	AG	SG	ST	CP1	XRAC
✓				✓		

EQUIVALENT OE #	
OEM Suzuki	59100 10810
OEM Suzuki	59130 30B00
OEM Suzuki	59130 38B10
OEM Suzuki	59100 38820
OEM Suzuki	69100 38840
OEM Suzuki	69130 38B10
OEM Suzuki	69100 38820

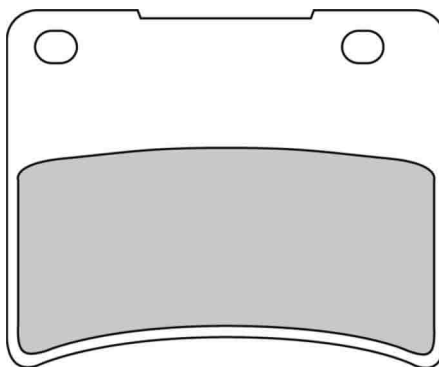
CROSS REFERENCE	
BREMBO	07SU0607
CL BRAKES	2280
EBC	FA103
GALFER	FD 066
LUCAS	MCB542
NEWFREN	.FD.0083
SBS	577
VESRAH	VD 331

FDB390

58.0 x 48.0 x 8.7 mm

SUZUKI

FRONT / REAR



MATERIAL AVAILABILITY						
P	PRP	AG	SG	ST	CP1	XRAC
✓						

EQUIVALENT OE #	
OEM Suzuki	59130 04A10

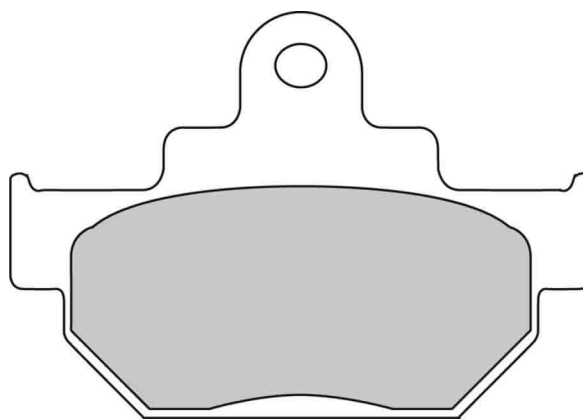
CROSS REFERENCE	
BREMBO	07SU0707
EBC	FA102
GALFER	FD 083
LUCAS	MCB547
NEWFREN	.FD.0119
SBS	578
VESRAH	VD 328

FDB404

77.0 x 54.0 x 7.1 mm

MAICO, SUZUKI

FRONT / REAR



MATERIAL AVAILABILITY						
P	PRP	AG	SG	ST	CP1	XRAC
✓						

EQUIVALENT OE #	
OEM Suzuki	59300 24830
OEM Suzuki	59100 26820

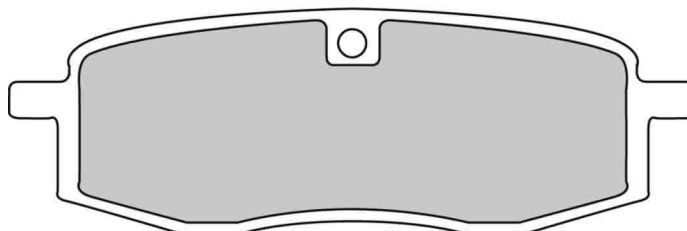
CROSS REFERENCE	
BREMBO	07SU0904
CL BRAKES	2387
EBC	FA106
GALFER	FD 209
LUCAS	MCB55
NEWFREN	.FD.0092
SBS	581
VESRAH	VD 329 /392/2

FDB411

91.0 x 30.0 x 8.4 mm

YAMAHA

FRONT



MATERIAL AVAILABILITY						
P	PRP	AG	SG	ST	CP1	XRAC
✓						

EQUIVALENT OE #	
OEM Yamaha	1LN W0045 00
OEM Yamaha	2HH W0045 00

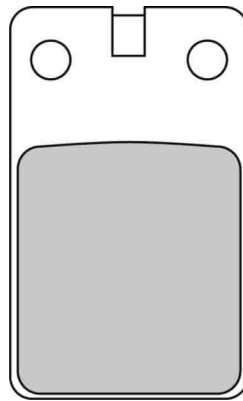
CROSS REFERENCE	
BREMBO	07YA1305
CL BRAKES	2792
EBC	FA105
GALFER	FD 080
NEWFREN	.FD.0089
SBS	580
VESRAH	VD 241

FDB436

31.5 x 52.0 x 5.5 mm

BENELLI, BETA, CIMATTI, FANTIC, GARELLI, GASGAS, GILERA, MALAGUTI, MONTESSA, TOMOS, TRE SOLDI, ZUNDAPP

FRONT / REAR



MATERIAL AVAILABILITY						
P	PRP	AG	SG	ST	CP1	XRAC
✓						

EQUIVALENT OE #	
OEM Malagutti	11933400

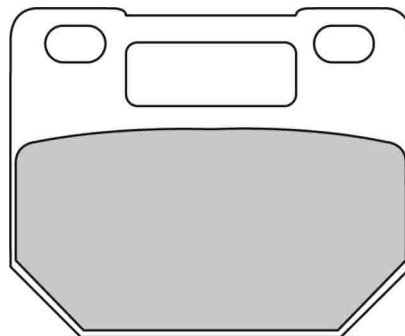
CROSS REFERENCE	
BREMBO	07GR0501
CL BRAKES	3034
EBC	FA099
GALFER	FD 071
NEWFREN	.FD.0074
SBS	595
VESRAH	VD 932

FDB437

53.0 x 44.0 x 7.0 mm

SUZUKI

FRONT



MATERIAL AVAILABILITY						
P	PRP	AG	SG	ST	CP1	XRAC
✓						

EQUIVALENT OE #	
OEM Suzuki	59130 36A01

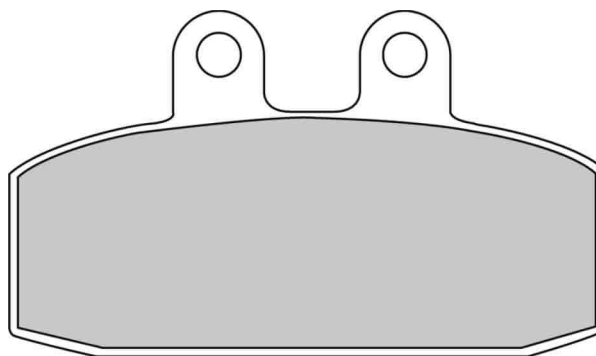
CROSS REFERENCE	
BREMBO	07SU1005
EBC	FA110
GALFER	FD 081
LUCAS	MCB556
NEWFREN	.FD.0100
SBS	587
VESRAH	VD 335

FDB438

79.0 x 47.0 x 7.4 mm

APRILIA, CAGIVA, FANTIC, GARELLI, GASGAS, GILERA, HONDA, HONDA ITALIA, MALAGUTI, MOTO MORINI, MOTORHISPANIA, PUCH, YAMAHA

FRONT / REAR



MATERIAL AVAILABILITY						
P	PRP	AG	SG	ST	CP1	XRAC
✓		✓				

EQUIVALENT OE #	
OEM Aprilia	8113865
OEM Aprilia	8133761

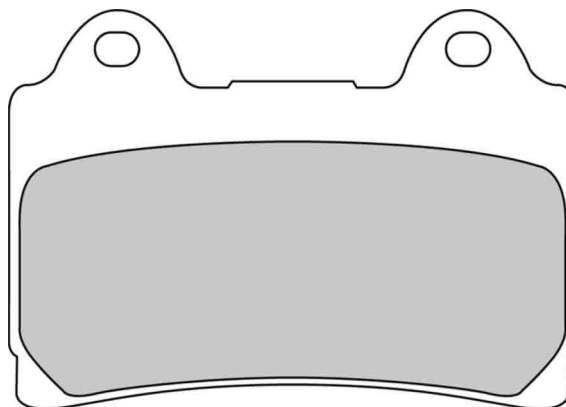
CROSS REFERENCE	
BREMBO	07GR0305
CL BRAKES	2457
CL BRAKES	2794
CL BRAKES	3021
EBC	FA113
EBC	FA256
GALFER	FD 074
NEWFREN	.FD.0091
SBS	588
VESRAH	VD 152

FDB449

75.0 x 54.0 x 10.7 mm

YAMAHA

FRONT / REAR



MATERIAL AVAILABILITY						
P	PRP	AG	SG	ST	CP1	XRAC
✓				✓		

EQUIVALENT OE #	
OEM Yamaha	4KG W0045 00
OEM Yamaha	4WM W0046 00

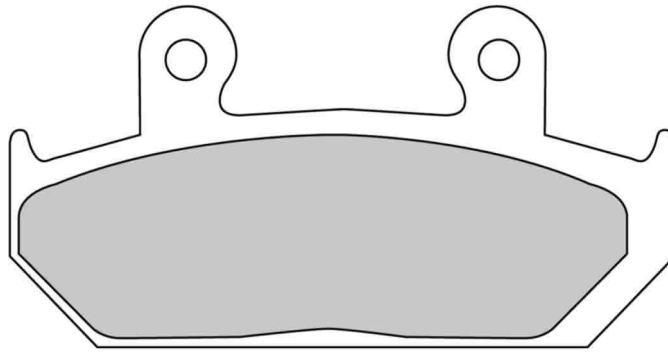
CROSS REFERENCE	
BREMBO	07YA1711
CL BRAKES	2305
CL BRAKES	2311
EBC	FA123
GALFER	FD 087
LUCAS	MCB559
NEWFREN	.FD.0104
SBS	590
VESRAH	VD 242

FDB452

88.1 x 46.1 x 8.5 mm

HONDA

FRONT



ALSO AVAILABLE		
SHAPE	TH. MM	NOTES
FDB663	9.8	

MATERIAL AVAILABILITY						
P	PRP	AG	SG	ST	CP1	XRAC
✓				✓		

EQUIVALENT OE #	
OEM Honda	45105 MS6 901

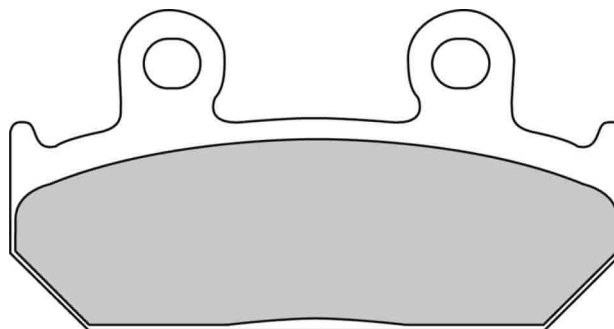
CROSS REFERENCE	
BREMBO	07HO23RR
CL BRAKES	2310
EBC	FA124
NEWFREN	.FD.0188
SBS	600
VESRAH	VD 143

FDB462

81.2 x 42.0 x 8.0 mm

HONDA

FRONT



ALSO AVAILABLE		
SHAPE	TH. MM	NOTES
FDB2113	9.5	

MATERIAL AVAILABILITY						
P	PRP	AG	SG	ST	CP1	XRAC
✓				✓		

EQUIVALENT OE #	
OEM Honda	45105 MV1 405
OEM Honda	45105 MV1 008

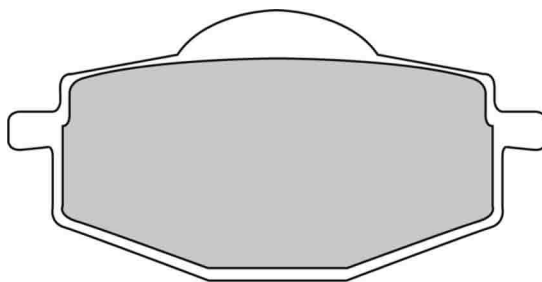
CROSS REFERENCE	
BREMBO	07HO2107
CL BRAKES	2252
EBC	FA121
GALFER	FD 096
LUCAS	MCB562
NEWFREN	.FD.0106
SBS	593
VESRAH	VD 141

FDB475

71.0 x 36.0 x 8.0 mm

HONDA ITALIA, YAMAHA

FRONT / REAR



ALSO AVAILABLE		
SHAPE	TH. MM	NOTES
FDB383	9.4	

MATERIAL AVAILABILITY						
P	PRP	AG	SG	ST	CP1	XRAC
		✓				

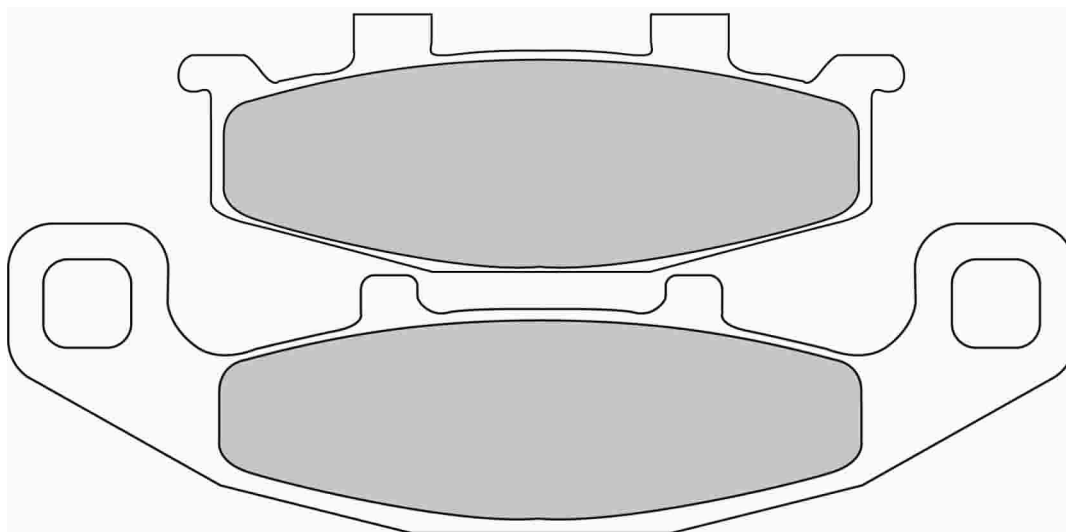
CROSS REFERENCE	
BREMBO	07YA1407
CL BRAKES	2284
EBC	FA101
GALFER	FD 079
LUCAS	MCB539
NEWFREN	.FD.0090
SBS	575
VESRAH	VD 239

FDB481

95.0 x 35.0 x 8.8 mm / 141.0 x 42.0 x 8.3 mm

KAWASAKI, SUZUKI

FRONT / REAR



MATERIAL AVAILABILITY						
P	PRP	AG	SG	ST	CP1	XRAC
✓				✓		

EQUIVALENT OE #	
OEM Kawasaki	43082 1189
OEM Kawasaki	43082 1139
OEM Kawasaki	43082 1123
OEM Kawasaki	43082 1134
OEM Kawasaki	43082 1114
OEM Suzuki	59300 33860
OEM Suzuki	59100 26810
OEM Suzuki	59301 45860

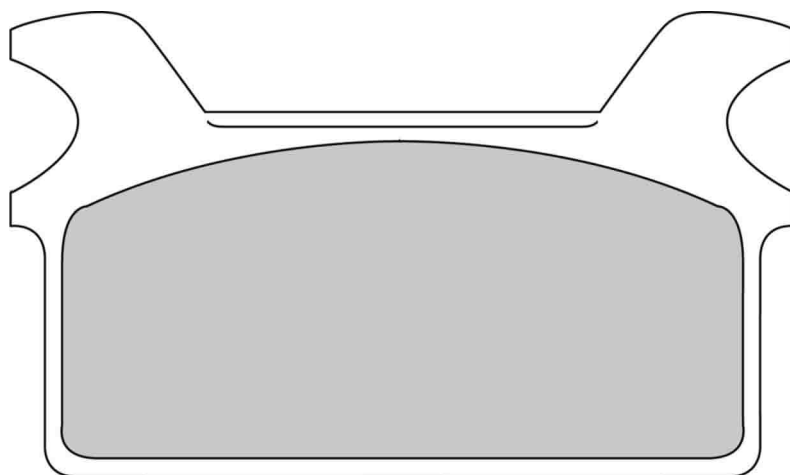
CROSS REFERENCE	
BREMBO	07KA0933
CL BRAKES	2304
EBC	FA129
GALFER	FD 090
LUCAS	MCB569
NEWFREN	.FD.0108
SBS	597
VESRAH	VD 427

FDB485

104.0 x 62.0 x 12.4 mm

HARLEY DAVIDSON, HONDA

FRONT / REAR



MATERIAL AVAILABILITY						
P	PRP	AG	SG	ST	CP1	XRAC
✓	✓					

EQUIVALENT OE #	
OEM Harley	43957 86E
OEM Harley	43957 86B
OEM Harley	43957 86D

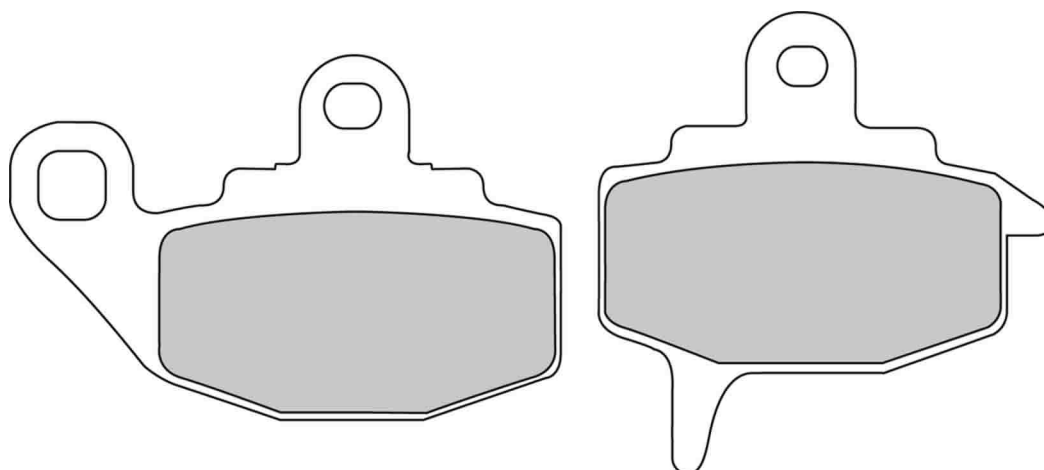
CROSS REFERENCE	
BREMBO	07HD0810
CL BRAKES	2342
EBC	FA138
EBC	FA201
GALFER	FD 125
NEWFREN	.FD.0149
SBS	609
VESRAH	VD 956

FDB494

73.0 x 49.0 x 6.6 mm / 61.0 x 63.0 x 8.9 mm

KAWASAKI

FRONT



MATERIAL AVAILABILITY						
P	PRP	AG	SG	ST	CP1	XRAC
✓						

EQUIVALENT OE #	
OEM Kawasaki	43082 1072

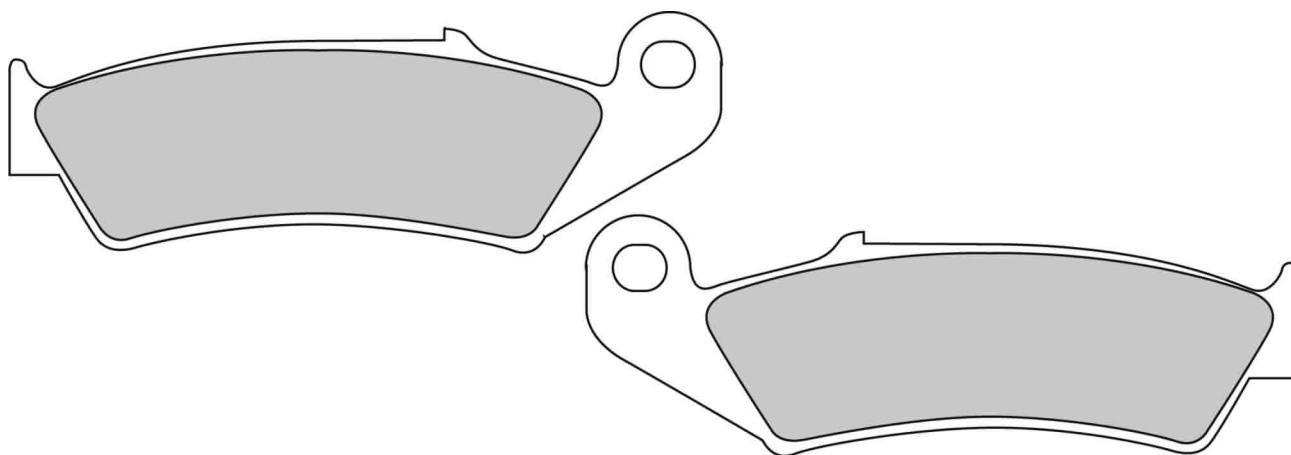
CROSS REFERENCE	
BREMBO	07KA1016
EBC	FA130
GALFER	FD 091
NEWFREN	.FD.0116
SBS	602
VESRAH	VD 428

FDB495

94.0 x 33.0 x 7.0 mm

HONDA, HONDA 3 WHEELERS, HONDA ATV

FRONT



MATERIAL AVAILABILITY						
P	PRP	AG	SG	ST	CP1	XRAC
✓			✓			

EQUIVALENT OE #	
OEM Honda	45105 KZ1 405
OEM Honda	45105 KW3 405
OEM Honda	45105 KW3 681

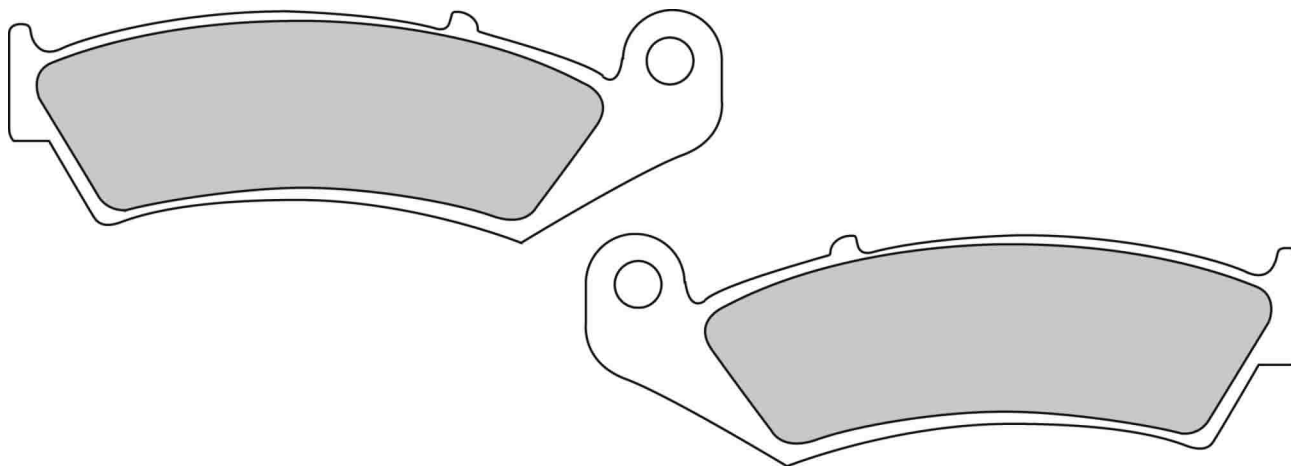
CROSS REFERENCE	
BREMBO	07HO2506
CL BRAKES	2300
CL BRAKES	2302
EBC	FA125
GALFER	FD 092
NEWFREN	.FD.0120
SBS	603
VESRAH	VD 139

FDB496

94.0 x 33.0 x 10.5 mm

HONDA, KAWASAKI

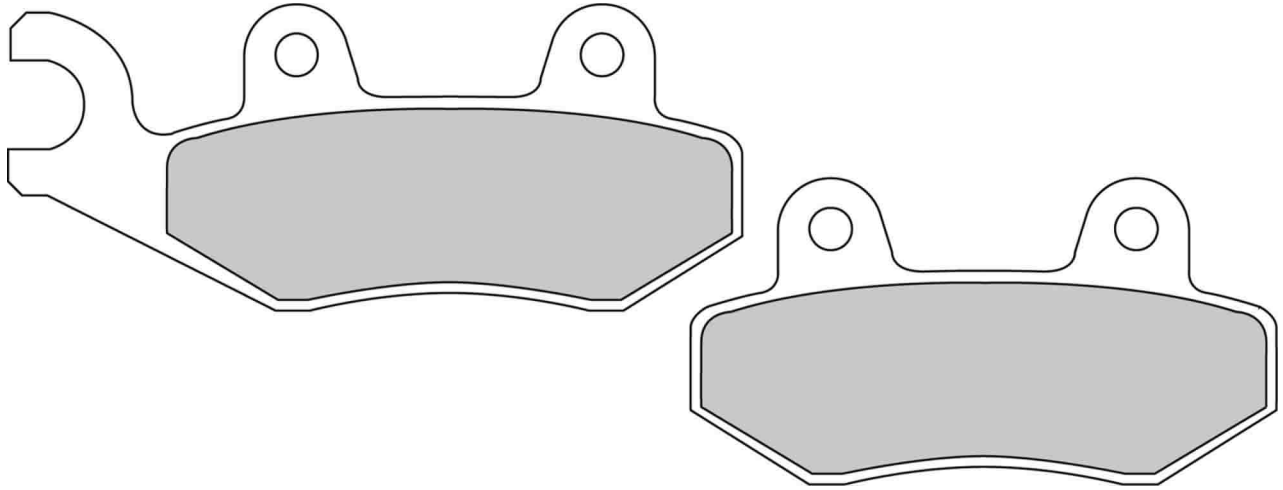
REAR



MATERIAL AVAILABILITY						
P	PRP	AG	SG	ST	CP1	XRAC
✓						

EQUIVALENT OE #	
OEM Honda	43105 MR7 027

CROSS REFERENCE	
BREMBO	07HO2911
CL BRAKES	2385
EBC	FA143
GALFER	FD 110
LUCAS	MCB594LF
NEWFREN	.FD.0141
SBS	623
VESRAH	VD 139/2



MATERIAL AVAILABILITY						
P	PRP	AG	SG	ST	CP1	XRAC
✓		✓	✓	✓		

EQUIVALENT OE #	
OEM Kawasaki	43082 0060
OEM Kawasaki	43082 1117
OEM Kawasaki	43082 1089
OEM Kawasaki	43082 1099
OEM Kymco	45106 KKD6 E00
OEM Suzuki	59300 27810
OEM Suzuki	59100 05830
OEM Suzuki	59300 27860
OEM Suzuki	59300 27830
OEM Suzuki	59300 27870
OEM Suzuki	59300 27850
OEM Suzuki	59300 26830
OEM Triumph	2020072T0301
OEM Yamaha	4EW W0045 00
OEM Yamaha	4EW W0045 01
OEM Yamaha	4SS W0045 00
OEM Yamaha	3JD W0045 00
OEM Yamaha	3SP W0045 00
OEM Yamaha	4MX W0045 00

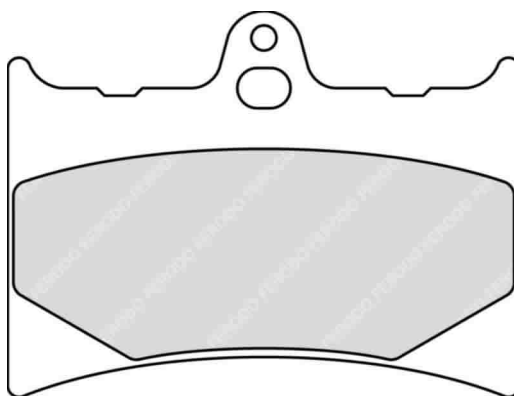
CROSS REFERENCE	
BREMBO	07SU1215
CL BRAKES	2288
EBC	FA135
EBC	FA202
EBC	FA214
EBC	FA228
GALFER	FD 086
LUCAS	MCB582
NEWFREN	.FD.0122
SBS	163
SBS	611
SBS	713
VESRAH	VD 340 /340/2

FDB498

68.0 x 52.0 x 7.0 mm

ALFER, APRILIA, ATK (USA), BENELLI, GILERA, KTM, MOTO GUZZI, MZ, SACHS

FRONT / REAR



MATERIAL AVAILABILITY						
P	PRP	AG	SG	ST	CP1	XRAC
✓				✓		✓

EQUIVALENT OE #	
OEM Aprilia	8113638

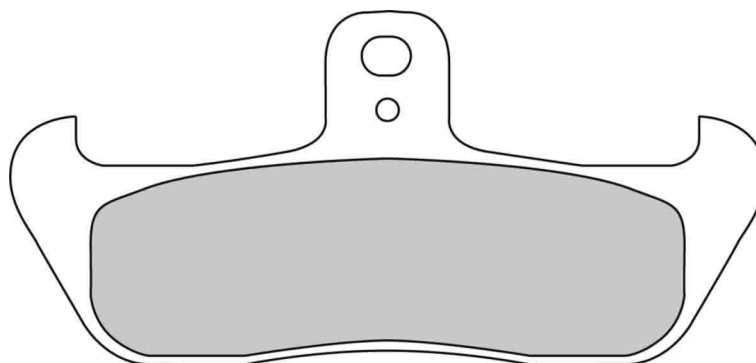
CROSS REFERENCE	
BREMBO	07GR5605
CL BRAKES	2398
EBC	FA126
GALFER	FD 085
GALFER	FD 118
LUCAS	MCB572
NEWFREN	.FD.0115
SBS	601
VESRAH	VD 943

FDB499

100.0 x 47.0 x 8.5 mm

ALFER, APRILIA, CAGIVA, GILERA, HONDA ITALIA, HUSABERG, HUSQVARNA, KRAM IT, LAVERDA, MOTO MORINI, TM, YAMAHA

FRONT



MATERIAL AVAILABILITY						
P	PRP	AG	SG	ST	CP1	XRAC
✓						

EQUIVALENT OE #	
OEM Yamaha	2VW F0047 00

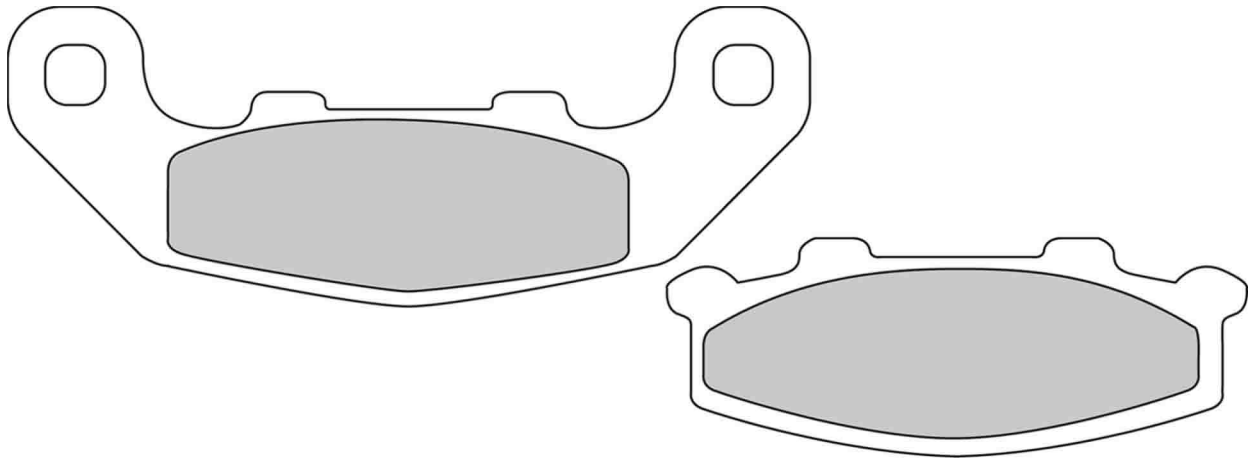
CROSS REFERENCE	
BREMBO	07BB0907
CL BRAKES	2400
EBC	FA134
GALFER	FD 089
LUCAS	MCB579
NEWFREN	.FD.0113
SBS	608
VESRAH	VD 942

FDB508

106.0 x 39.0 x 8.3 mm / 76.0 x 27.0 x 9.7 mm

KAWASAKI, SUZUKI

FRONT / REAR



MATERIAL AVAILABILITY						
P	PRP	AG	SG	ST	CP1	XRAC
✓						

EQUIVALENT OE #	
OEM Kawasaki	43082 1125
OEM Suzuki	69100 22830

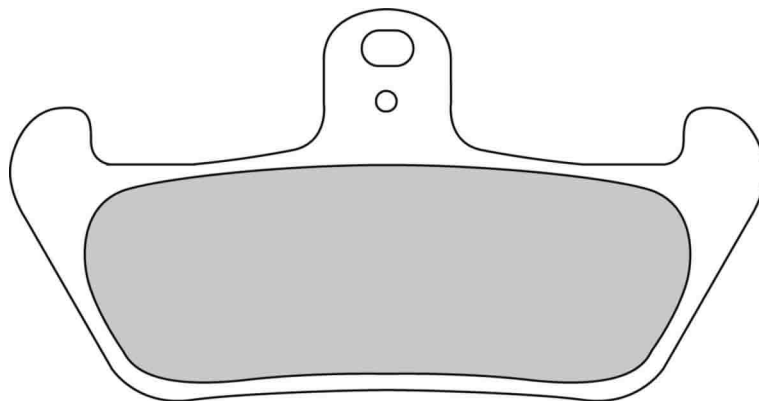
CROSS REFERENCE	
BREMBO	07KA1117
CL BRAKES	2389
EBC	FA141
GALFER	FD 104
LUCAS	MCB586
NEWFREN	.FD.0138
SBS	615
VESRAH	VD 430

FDB529

100.0 x 52.0 x 7.8 mm

APRILIA, CAGIVA, GILERA, MOTO MORINI, SUZUKI

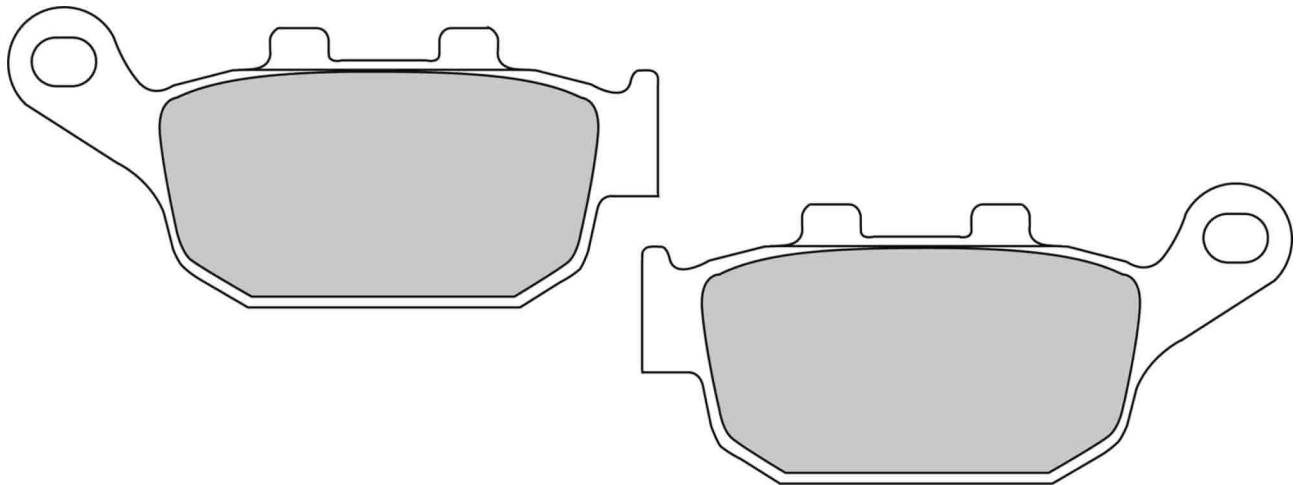
FRONT / REAR



MATERIAL AVAILABILITY						
P	PRP	AG	SG	ST	CP1	XRAC
✓						

EQUIVALENT OE #	
OEM Cagiva	8000 59214

CROSS REFERENCE	
BREMBO	07BB1606
EBC	FA163
GALFER	FD 119
LUCAS	MCB618
NEWFREN	.FD.0158
SBS	641
VESRAH	VD 929



ALSO AVAILABLE		
SHAPE	TH. MM	NOTES
FDB2258	8.9	

MATERIAL AVAILABILITY						
P	PRP	AG	SG	ST	CP1	XRAC
✓				✓		

EQUIVALENT OE #	
OEM Honda	06435 KT7 405
OEM Honda	06435 KT7 415
OEM Honda	43105 MY1 405
OEM Moto Guzzi	30654630
OEM Triumph	T2020602

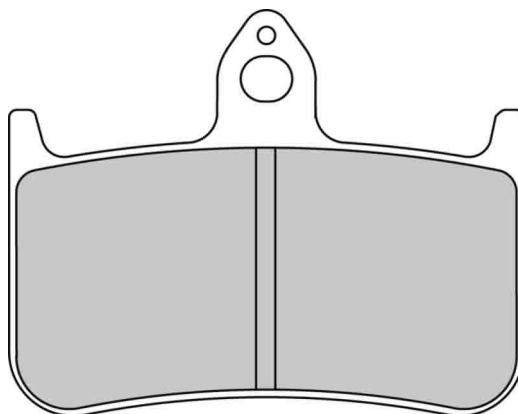
CROSS REFERENCE	
BREMBO	07HO2711
CL BRAKES	2298
EBC	FA140
GALFER	FD 103
LUCAS	MCB585LF
NEWFREN	.FD.0136
SBS	614
VESRAH	VD 147

FDB533

68.1 x 53.8 x 8.7 mm

HONDA

FRONT



MATERIAL AVAILABILITY						
P	PRP	AG	SG	ST	CP1	XRAC
✓				✓	✓	✓

EQUIVALENT OE #	
OEM Honda	06455 MAS 305
OEM Honda	06455 MBB 006
OEM Honda	06455 MBB 016
OEM Honda	06455 MCZ 006
OEM Honda	06455 MCZ 016
OEM Honda	45105 MW0 415

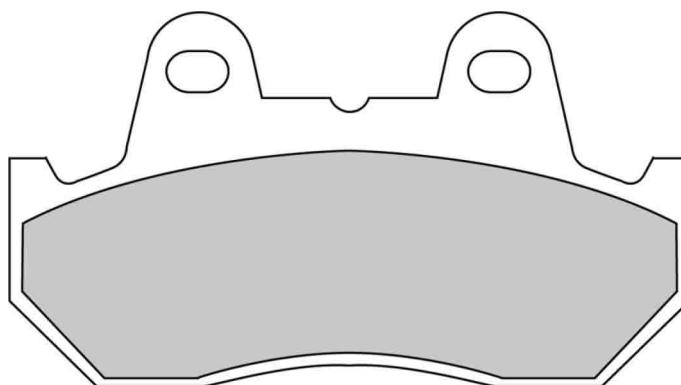
CROSS REFERENCE	
BREMBO	07HO2807
CL BRAKES	2245
EBC	FA187
GALFER	FD 100
GALFER	FD 148
LUCAS	MCB593
NEWFREN	.FD.0131
SBS	622
VESRAH	VD 154

FDB538

90.0 x 49.0 x 9.0 mm

HONDA

FRONT / REAR

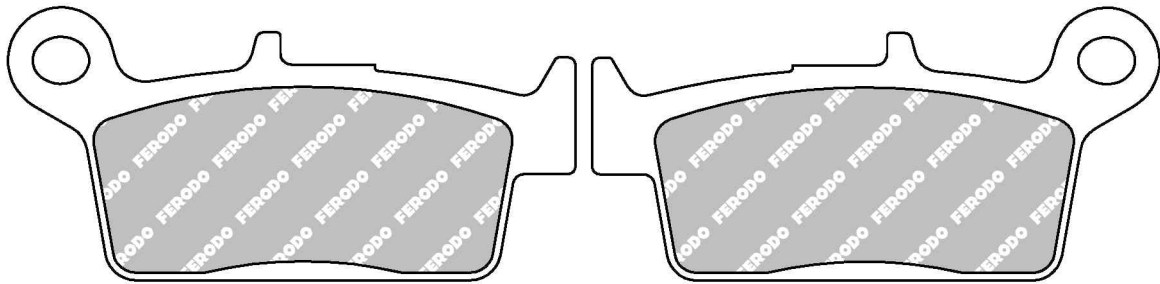


ALSO AVAILABLE		
SHAPE	TH. MM	NOTES
FDB244	10.5	
FDB665	11.0	

MATERIAL AVAILABILITY						
P	PRP	AG	SG	ST	CP1	XRAC
✓				⚠		

EQUIVALENT OE #	
OEM Honda	45105 KL8 405

CROSS REFERENCE	
BREMBO	07HO1807
CL BRAKES	2382
CL BRAKES	3017
EBC	FA069/2
LUCAS	MCB544
NEWFREN	.FD.0058
SBS	572
VESRAH	VD 123/2



ALSO AVAILABLE

SHAPE	TH. MM	NOTES
FDB672	9.1	
FDB783	7.6	

MATERIAL AVAILABILITY

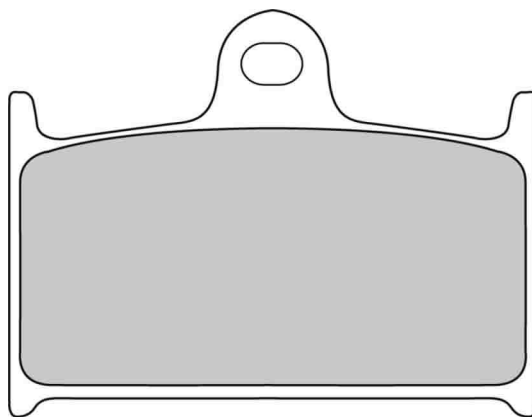
P	PRP	AG	SG	ST	CP1	XRAC
✓			✓			

EQUIVALENT OE

OEM Honda	43105 KZ1 405
OEM Honda	43105 KZ1 415
OEM Honda	06435 KCZ 000
OEM Honda	06435 KCZ 010
OEM Kawasaki	43082 1292
OEM Kawasaki	43082 1173
OEM Kawasaki	43082 1228
OEM Kawasaki	43082 1267
OEM Suzuki	69100 37830
OEM Suzuki	69100 37840
OEM Suzuki	69100 36820
OEM Suzuki	69100 36840
OEM Suzuki	69100 36850
OEM Suzuki	69100 36860
OEM Yamaha	5GR W0046 00
OEM Yamaha	5ET W0046 00
OEM Yamaha	5DH W0046 00
OEM Yamaha	5MV W0046 00

CROSS REFERENCE

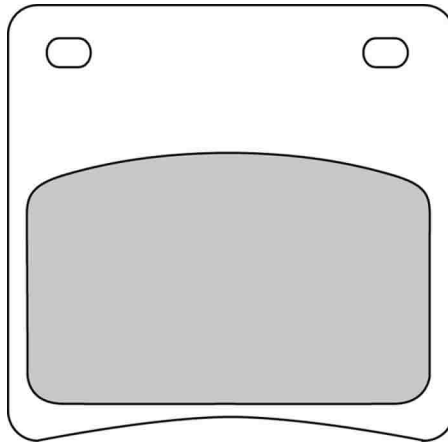
BREMBO	07HO2608
CL BRAKES	2314
EBC	FA131
GALFER	FD 093
GALFER	FD 144
NEWFREN	.FD.0114
SBS	604
VESRAH	VD 144



MATERIAL AVAILABILITY						
P	PRP	AG	SG	ST	CP1	XRAC
✓				✓	✓	✓

EQUIVALENT OE #	
OEM Suzuki	59300 17811
OEM Triumph	2020073T0301
OEM Triumph	T2020245

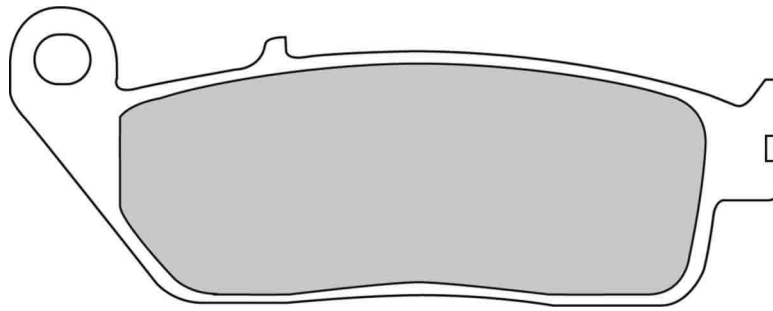
CROSS REFERENCE	
BREMBO	07SU1407
CL BRAKES	2246
CL BRAKES	2961
EBC	FA145
EBC	FA236
GALFER	FD 099
LUCAS	MCB595
NEWFREN	.FD.0129
SBS	624
SBS	714
VESRAH	VD 343



MATERIAL AVAILABILITY						
P	PRP	AG	SG	ST	CP1	XRAC
✓				✓		

EQUIVALENT OE #	
OEM Suzuki	69130 26D00
OEM Suzuki	59130 19C00
OEM Suzuki	59100 20820
OEM Suzuki	59100 45B90
OEM Suzuki	59100 19820

CROSS REFERENCE	
BREMBO	07SU1306
CL BRAKES	2281
EBC	FA146
LUCAS	MCB591
NEWFREN	.FD.0147
SBS	620
VESRAH	VD 345/2



ALSO AVAILABLE

SHAPE	TH. MM	NOTES
FDB2225	10.0	
FDB664	9.8	

MATERIAL AVAILABILITY

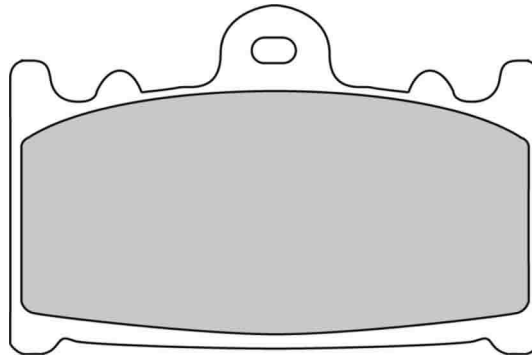
P	PRP	AG	SG	ST	CP1	XRAC
✓				✓	✓	✓

EQUIVALENT OE

OEM Honda	06455 MAA 405
OEM Honda	06455 MAA 415
OEM Honda	06455 MAH 405
OEM Honda	06455 MAL G01
OEM Honda	06455 MAL G02
OEM Honda	06455 MBK 751
OEM Honda	06455 MBK 752
OEM Honda	06455 MCK A01
OEM Honda	06455 MCK A02
OEM Honda	06455 MEA 671
OEM Honda	06455 MEA 672
OEM Honda	06455 MR4 405
OEM Honda	06455 MR4 415
OEM Honda	06455 MS9 405
OEM Honda	06455 MW3 405
OEM Honda	06455 MW3 415
OEM Honda	06455 MZ0 760
OEM Honda	06455-MV4-405
OEM Honda	45106 ML7 922
OEM Honda	06455 MV4 405
OEM Honda	45105 ML7 405
OEM Honda	45105 MW3 671
OEM Honda	45105 MR4 901
OEM Honda	45105 ML7 922
OEM Kawasaki	43082 0079
OEM Suzuki	59300 21850
OEM Suzuki	59300 21820
OEM Suzuki	59300 21840
OEM Triumph	T2020537
OEM Yamaha	3D7 W0045 10
OEM Yamaha	5YU W0046 00

CROSS REFERENCE

BREMBO	07HO3005
BREMBO	07HO3405
CL BRAKES	2256
CL BRAKES	2313
EBC	FA142
EBC	FA196
GALFER	FD 108
GALFER	FD 140
NEWFREN	.FD.0132
SBS	627
SBS	654
SBS	700
VESRAH	VD 156



MATERIAL AVAILABILITY						
P	PRP	AG	SG	ST	CP1	XRAC
✓	✗			✓	✓	✓

CROSS REFERENCE	
BREMBO	07KA1306
CL BRAKES	2251
EBC	FA158
GALFER	FD 107
LUCAS	MCB62
NEWFREN	.FD.0143
SBS	631
VESRAH	VD 344

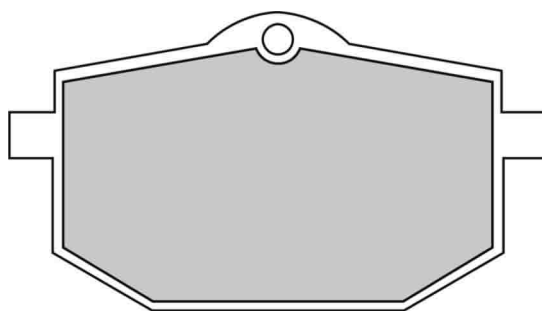
EQUIVALENT OE #	
OEM Kawasaki	43082 1162
OEM Kawasaki	43082 1142
OEM Kawasaki	43082 0019
OEM Kawasaki	43082 0030
OEM Kawasaki	43082 1169
OEM Kawasaki	43082 0016
OEM Kawasaki	43082 0014
OEM Kawasaki	43082 0025
OEM Suzuki	59300 34830
OEM Suzuki	59101 35810
OEM Suzuki	59100 35850
OEM Suzuki	59100 5880
OEM Suzuki	59100 35880
OEM Suzuki	59100 35830
OEM Suzuki	59130 32C20

FDB583

71.2 x 39.0 x 9.8 mm

MOTO GUZZI, YAMAHA

FRONT



MATERIAL AVAILABILITY						
P	PRP	AG	SG	ST	CP1	XRAC
✓						

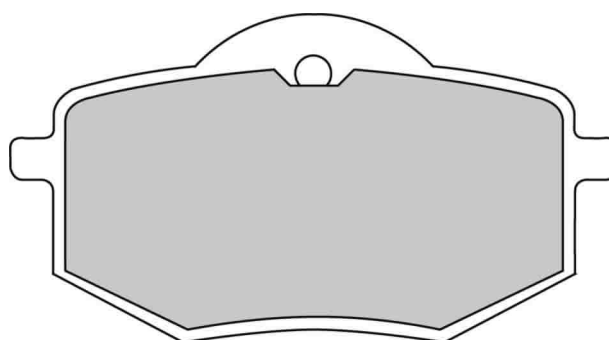
CROSS REFERENCE	
BREMBO	07YA1809
CL BRAKES	2393
EBC	FA118
GALFER	FD 072
LUCAS	MCB568
NEWFREN	.FD.0097
SBS	596
VESRAH	VD 245

FDB591

80.0 x 42.0 x 10.0 mm

YAMAHA

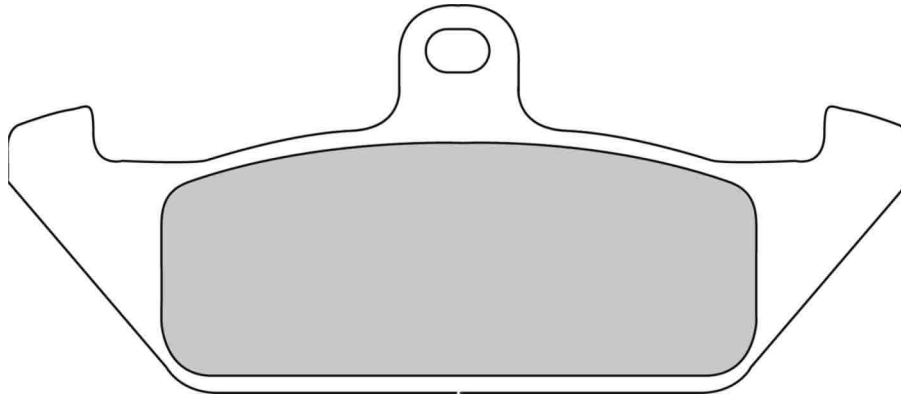
FRONT



MATERIAL AVAILABILITY						
P	PRP	AG	SG	ST	CP1	XRAC
✓						

EQUIVALENT OE #	
OEM Yamaha	3JB W0045 00

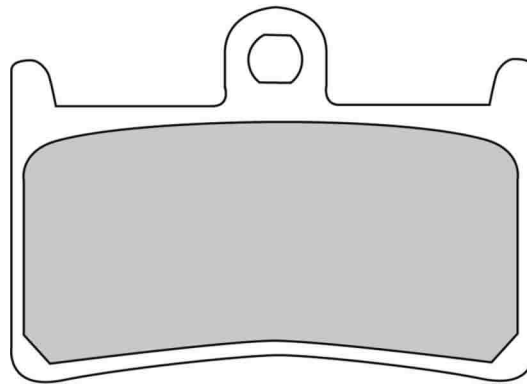
CROSS REFERENCE	
BREMBO	07YA1909
CL BRAKES	2392
EBC	FA136
GALFER	FD 127
LUCAS	MCB587
NEWFREN	.FD.0135
SBS	616
VESRAH	VD 246



MATERIAL AVAILABILITY						
P	PRP	AG	SG	ST	CP1	XRAC
✓						

EQUIVALENT OE #	
OEM Cagiva	8000 45453

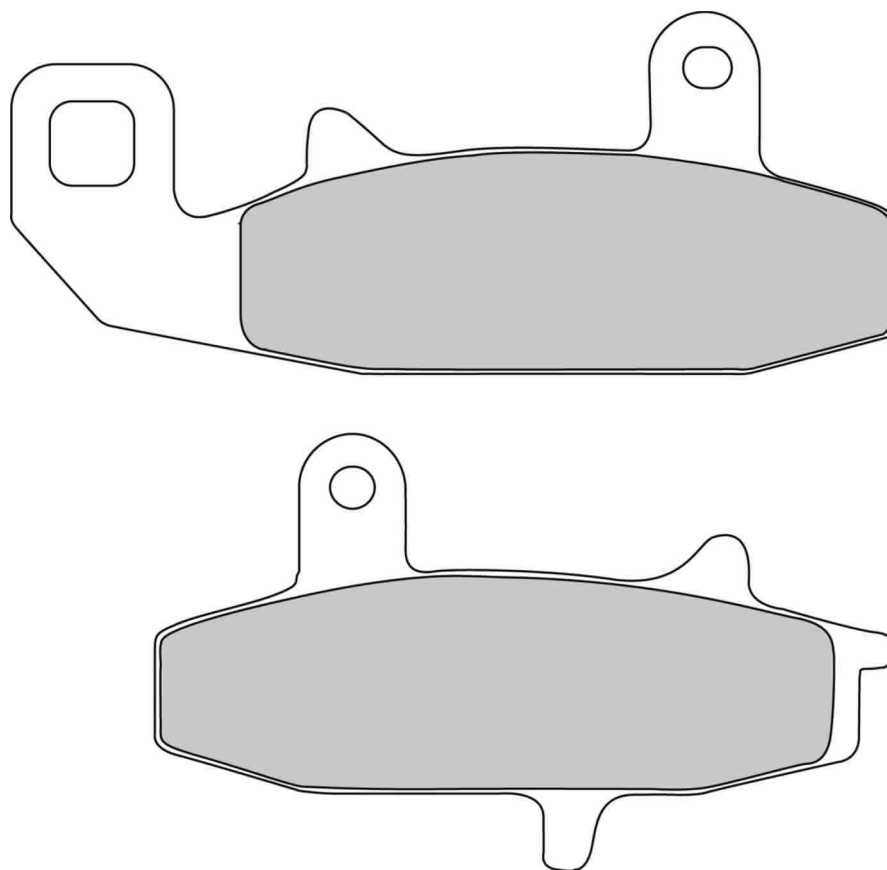
CROSS REFERENCE	
BREMBO	07BB0606
CL BRAKES	2801
EBC	FA120
GALFER	FD 098
LUCAS	MCB563
NEWFREN	.FD.0096
SBS	594
VESRAH	VD 924



MATERIAL AVAILABILITY						
P	PRP	AG	SG	ST	CP1	XRAC
✓				✓	✓	✓

EQUIVALENT OE #	
OEM Yamaha	4XVW004500
OEM Yamaha	5VNW004500
OEM Yamaha	4SV W0045 00
OEM Yamaha	4B5W004500
OEM Yamaha	5JJ W004 500
OEM Yamaha	5FL W0045 00
OEM Yamaha	5SL W0045 00
OEM Yamaha	1D7W004500
OEM Yamaha	2C0 W0045 00
OEM Yamaha	3TJ W0045 00
OEM Yamaha	5PW W0045 00

CROSS REFERENCE	
BREMBO	07YA2307
CL BRAKES	2361
EBC	FA168
EBC	FA252
EBC	FA380HH
GALFER	FD 178
LUCAS	MCB611
NEWFREN	.FD.0190
SBS	198
SBS	634
SBS	639
VESRAH	VD 248
VESRAH	VD 249



MATERIAL AVAILABILITY						
P	PRP	AG	SG	ST	CP1	XRAC
✓						

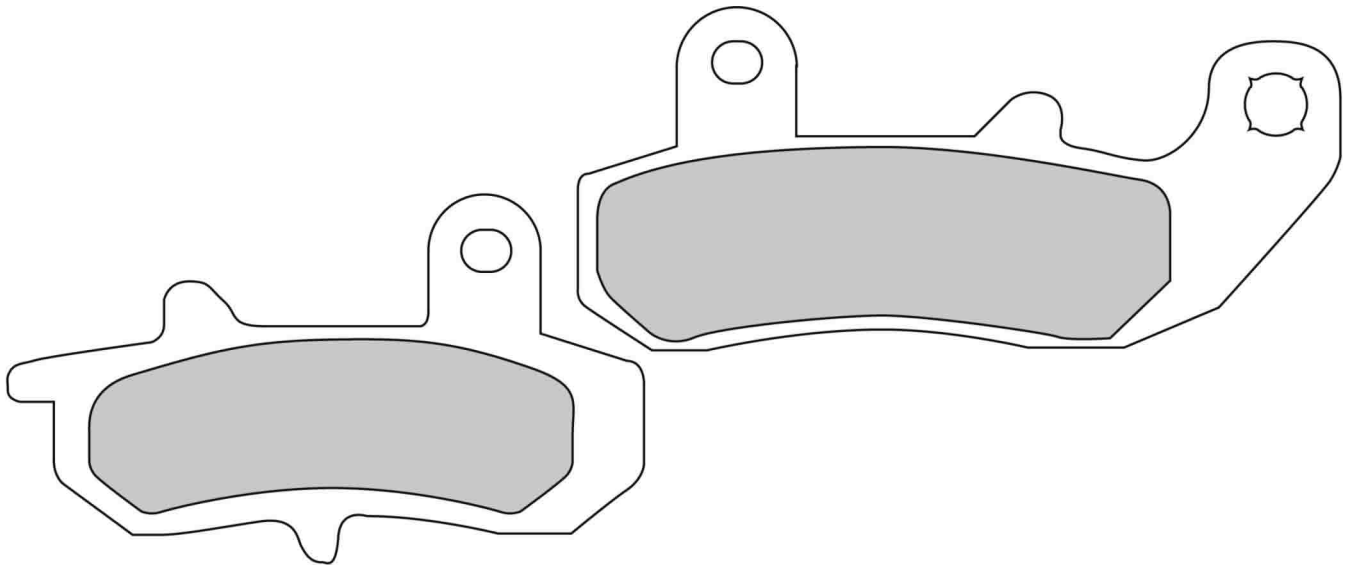
CROSS REFERENCE	
BREMBO	07SU1509
CL BRAKES	2308
EBC	FA147
GALFER	FD 101
LUCAS	MCB597
NEWFREN	.FD.0140
SBS	626
VESRAH	VD 347

FDB607

99.0 x 44.0 x 7.4 mm / 84.0 x 47.0 x 9.8 mm

SUZUKI

REAR



MATERIAL AVAILABILITY						
P	PRP	AG	SG	ST	CP1	XRAC
✓						

EQUIVALENT OE #	
OEM Suzuki	69100 12B10
OEM Suzuki	69100 44860

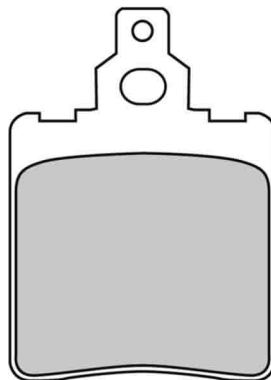
CROSS REFERENCE	
BREMBO	07SU1718
CL BRAKES	2388
EBC	FA157
GALFER	FD 120
LUCAS	MCB612LF
NEWFREN	.FD.0164
SBS	635
VESRAH	VD 348

FDB624

35.0 x 52.0 x 7.0 mm

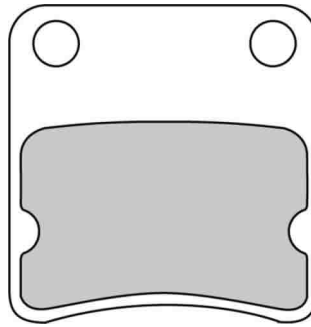
APRILIA, BETA, FANTIC, GARELLI

FRONT / REAR



MATERIAL AVAILABILITY						
P	PRP	AG	SG	ST	CP1	XRAC
		✓				

CROSS REFERENCE	
BREMBO	07GR1305
EBC	FA060
EBC	FA127
NEWFREN	.FD.0103
SBS	574
VESRAH	VD 920
VESRAH	VD 937



MATERIAL AVAILABILITY						
P	PRP	AG	SG	ST	CP1	XRAC
		✓				

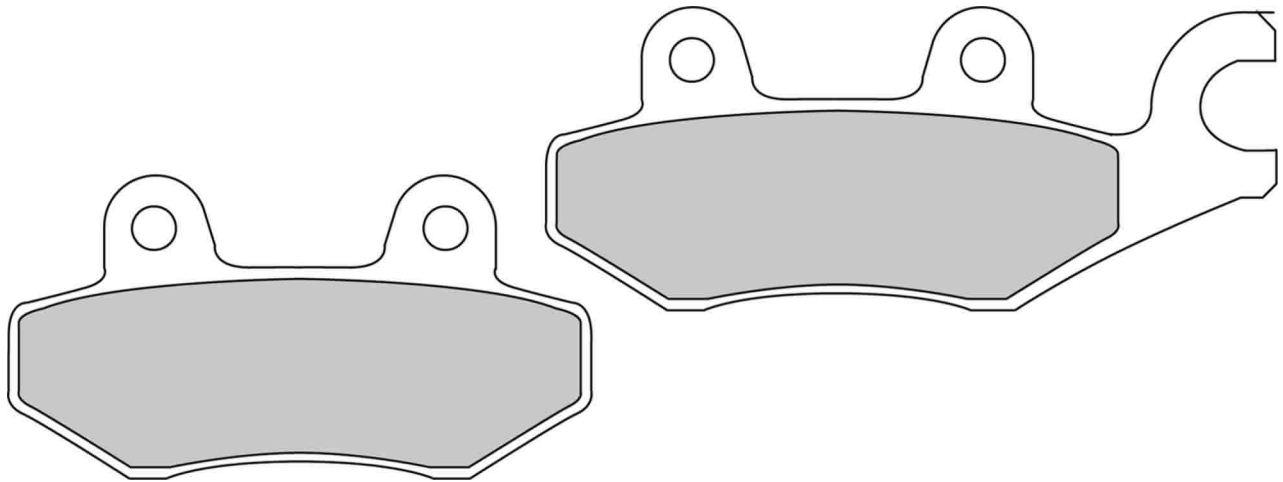
CROSS REFERENCE	
BREMBO	07HO3807
CL BRAKES	2408
CL BRAKES	3018
CL BRAKES	3038
EBC	FA178
EBC	FA257
EBC	SFA257
GALFER	FD 149
NEWFREN	.FD.0173
SBS	670
VESRAH	VD 162

FDB631

96.6 x 42.0 x 7.6 mm / 77.0 x 42.0 x 7.6 mm

BENELLI, CAGIVA, CPI ATV, DAELIM, E-TON ATV, HONDA, HYOSUNG, KAWASAKI, KAWASAKI ATV, MODENAS,
SUZUKI, SUZUKI ATV, TRIUMPH, YAMAHA, YAMAHA ATV

FRONT / REAR



MATERIAL AVAILABILITY						
P	PRP	AG	SG	ST	CP1	XRAC
✓		✓	✓	✓		

EQUIVALENT OE #	
OEM Cagiva	8000 66785
OEM Honda	06455 KEB 900
OEM Honda	06455 KEB 901
OEM Kawasaki	43082 0081
OEM Suzuki	59100 05820
OEM Suzuki	69100 31820
OEM Triumph	2020071T0301
OEM Triumph	T2020560
OEM Triumph	T2020555
OEM Yamaha	3LD W0045 10
OEM Yamaha	3LD W0046 01

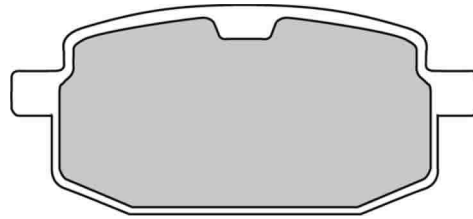
CROSS REFERENCE	
BREMBO	07YA2008
CL BRAKES	2326
CL BRAKES	3036
EBC	FA165
GALFER	FD 117
LUCAS	MCB64LF
NEWFREN	.FD.0163
SBS	633
SBS	638
VESRAH	VD 250

FDB636

61.0 x 27.0 x 7.3 mm

ADLY, BETA, BS VILLA, FANTIC, GARELLI, ITALJET, MALAGUTI, MBK, PGO, YAMAHA

FRONT / REAR



MATERIAL AVAILABILITY						
P	PRP	AG	SG	ST	CP1	XRAC
✓		✓				

EQUIVALENT OE #	
OEM Yamaha	5JU W0045 00

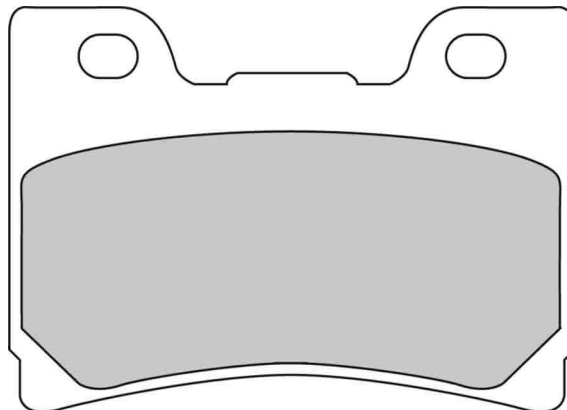
CROSS REFERENCE	
BREMBO	07YA3006
CL BRAKES	2696
CL BRAKES	3029
CL BRAKES	3030
EBC	FA169
EBC	SFA169
GALFER	FD 136
NEWFREN	.FD.0175
SBS	619
VESRAH	VD 247

FDB637

75.0 x 54.0 x 10.9 mm

YAMAHA

FRONT

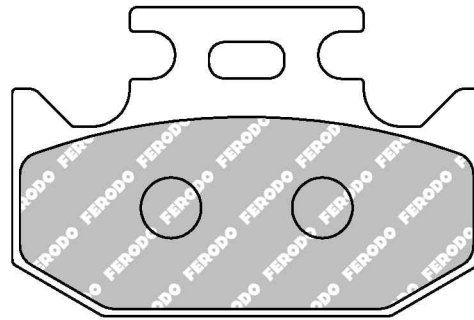


ALSO AVAILABLE		
SHAPE	TH. MM	NOTES
FDB666	10.9	

MATERIAL AVAILABILITY						
P	PRP	AG	SG	ST	CP1	XRAC
✓				✓		

EQUIVALENT OE #	
OEM Yamaha	3GM W0045 60

CROSS REFERENCE	
BREMBO	07YA2609
CL BRAKES	2309
EBC	FA182
GALFER	FD 143
LUCAS	MCB642
NEWFREN	.FD.0176
SBS	665
VESRAH	VD 257



ALSO AVAILABLE		
SHAPE	TH. MM	NOTES
FDB2270	7.1	

MATERIAL AVAILABILITY						
P	PRP	AG	SG	ST	CP1	XRAC
✓			✓			

EQUIVALENT OE #	
OEM Kawasaki	43082 1137
OEM Kawasaki	43082 1090
OEM Kawasaki	43082 1151
OEM Kawasaki	43082 1131
OEM Kawasaki	43082 1118
OEM Suzuki	69100 43820
OEM Suzuki	69100 43841
OEM Suzuki	69100 43860
OEM Suzuki	69100 43851
OEM Suzuki	69100 32830
OEM Suzuki	69140 27C10
OEM Suzuki	69140 27C00
OEM Suzuki	69140 28C00
OEM Yamaha	1D4 F5742 00
OEM Yamaha	4DA W0046 00
OEM Yamaha	4GY W0046 00
OEM Yamaha	3XJ W0046 00
OEM Yamaha	4EW W0046 00
OEM Yamaha	3XP W0046 00
OEM Yamaha	3SP W0046 00

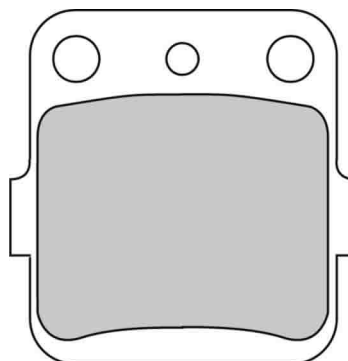
CROSS REFERENCE	
BREMBO	07KA1207
CL BRAKES	2299
EBC	FA152
GALFER	FD 114
NEWFREN	.FD.0144
SBS	632
SBS	648
VESRAH	VD 432 /432/2

FDB661

46.0 x 45.0 x 6.5 mm

HONDA, HUSQVARNA, KAWASAKI, KAWASAKI ATV, SUZUKI, SUZUKI ATV, TM, YAMAHA

FRONT / REAR



MATERIAL AVAILABILITY						
P	PRP	AG	SG	ST	CP1	XRAC
✓			✓			

EQUIVALENT OE #	
OEM Suzuki	69140 19A01
OEM Suzuki	69140 26C00
OEM Yamaha	5PA W0046 50
OEM Yamaha	3JD W0046 00
OEM Yamaha	4ES W0046 50

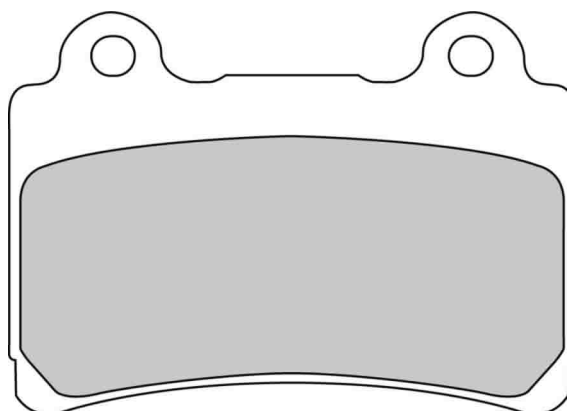
CROSS REFERENCE	
BREMBO	07HO2202
CL BRAKES	2328
EBC	FA084/3
GALFER	FD 299
NEWFREN	.FD.0123
SBS	584
VESRAH	VD 127

FDB662

75.0 x 54.0 x 8.8 mm

YAMAHA

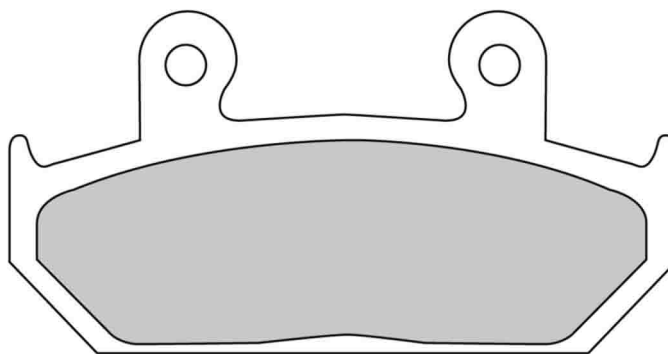
FRONT



MATERIAL AVAILABILITY						
P	PRP	AG	SG	ST	CP1	XRAC
✓				⚠		

EQUIVALENT OE #	
OEM Yamaha	4NK W0045 00
OEM Yamaha	4NK W0046 00
OEM Yamaha	4NK W0045 01
OEM Yamaha	3GM W0045 03

CROSS REFERENCE	
BREMBO	07YA3507
CL BRAKES	2253
EBC	FA123
LUCAS	MCB584
NEWFREN	.FD.0177
SBS	613
VESRAH	VD 257

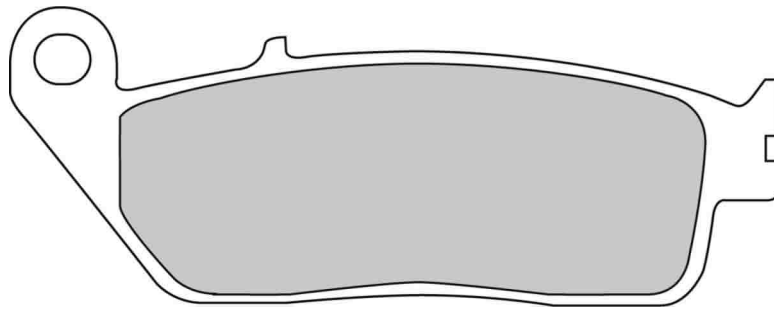


ALSO AVAILABLE		
SHAPE	TH. MM	NOTES
FDB452	8.5	

MATERIAL AVAILABILITY						
P	PRP	AG	SG	ST	CP1	XRAC
✓				✓		

EQUIVALENT OE #	
OEM Cagiva	8000 88482
OEM Cagiva	8000 66796
OEM Honda	06455 MT8 405
OEM Honda	06455 MT8 305
OEM Honda	45105 MT8 008

CROSS REFERENCE	
BREMBO	07HO3509
CL BRAKES	2248
EBC	FA124/2
GALFER	FD 082
LUCAS	MCB624
NEWFREN	.FD.0105
SBS	647
VESRAH	VD 143/2

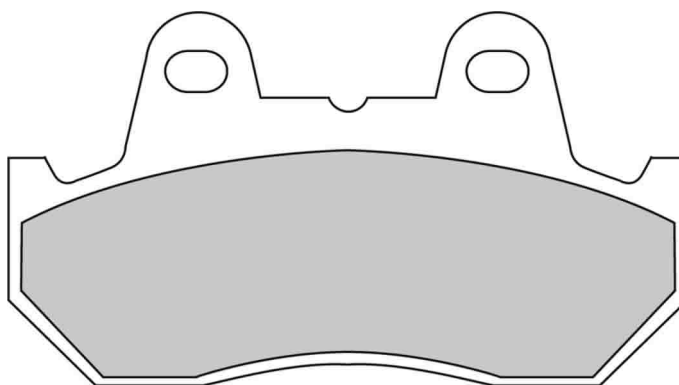


ALSO AVAILABLE		
SHAPE	TH. MM	NOTES
FDB2225	10.0	
FDB570	8.3	

MATERIAL AVAILABILITY						
P	PRP	AG	SG	ST	CP1	XRAC
✓				✓		

EQUIVALENT OE #	
OEM Honda	06455 MAB 405
OEM Honda	06455 MAW 621
OEM Honda	43105 MY7 405
OEM Honda	43105 ML7 923
OEM Honda	43106 ML7 923
OEM Honda	06435 MZ0 760
OEM Honda	06435 MZ0 006
OEM Triumph	T2020077
OEM Yamaha	1S6 W0045 00

CROSS REFERENCE	
BRAKING	720
BREMBO	07HO4108
CL BRAKES	2313
EBC	FA196
EBC	FA226
GALFER	FD 112
LUCAS	MCB677
NEWFREN	.FD.0130
SBS	630
SBS	700
VESRAH	VD 156/2



ALSO AVAILABLE		
SHAPE	TH. MM	NOTES
FDB244	10.0	
FDB538	9.0	

MATERIAL AVAILABILITY						
P	PRP	AG	SG	ST	CP1	XRAC
✓				✓		

EQUIVALENT OE #	
OEM Honda	43105 MB6 018
OEM Honda	06435 MT8 405
OEM Honda	43105 MT8 008

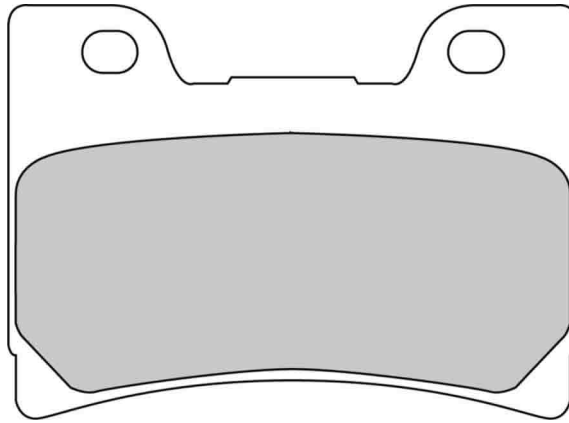
CROSS REFERENCE	
BREMBO	07HO1010
CL BRAKES	2289
EBC	FA069/3
GALFER	FD 054
LUCAS	MCB512
NEWFREN	.FD.0084
SBS	542
VESRAH	VD 123
VESRAH	VD 132

FDB666

75.0 x 55.0 x 10.9 mm

YAMAHA

FRONT



ALSO AVAILABLE		
SHAPE	TH. MM	NOTES
FDB637	10.9	

MATERIAL AVAILABILITY						
P	PRP	AG	SG	ST	CP1	XRAC
✓				✓		

EQUIVALENT OE #	
OEM Yamaha	36M W0045 02
OEM Yamaha	3GM W0045 02
OEM Yamaha	3GM W0045 01

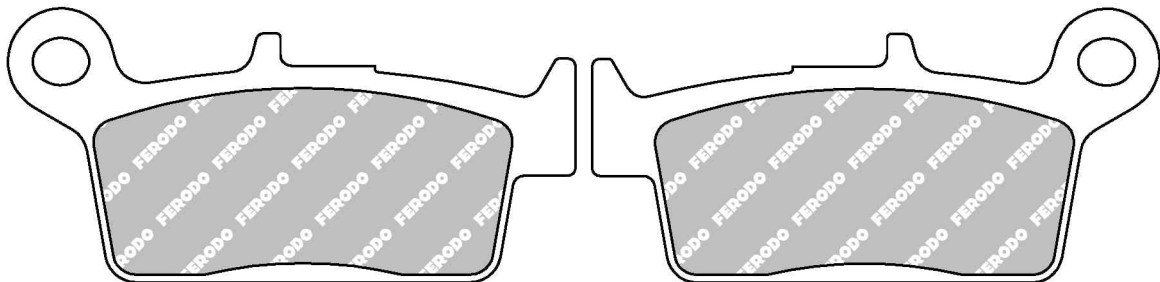
CROSS REFERENCE	
BREMBO	07YA2409
CL BRAKES	2311
EBC	FA160
GALFER	FD 121
LUCAS	MCB622
NEWFREN	.FD.0191
SBS	572
SBS	645
VESRAH	VD 251

FDB672

75.1 x 36.1 x 9.1 mm

HERCULES (SACHS), HONDA, KYMCO, PEUGEOT

FRONT



ALSO AVAILABLE		
SHAPE	TH. MM	NOTES
FDB539	9.7	
FDB783	7.6	

MATERIAL AVAILABILITY						
P	PRP	AG	SG	ST	CP1	XRAC
		✓				

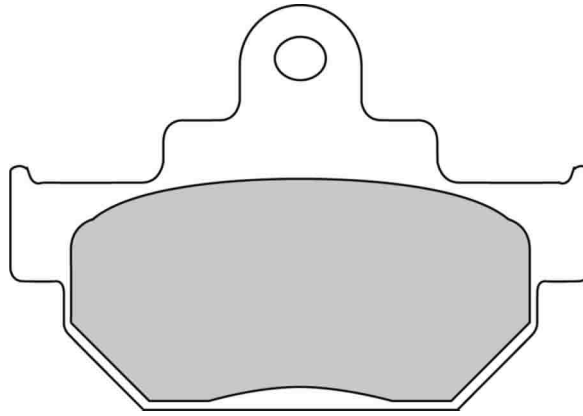
CROSS REFERENCE	
BREMBO	7011
CL BRAKES	2314
CL BRAKES	3014
EBC	FA131/3
EBC	FA233
EBC	SFA131/3
EBC	SFA233
GALFER	FD 144
NEWFREN	.FD.0192
SBS	690
VESRAH	VD 144/2

FDB673

77.0 x 54.0 x 9.4 mm

APRILIA, SUZUKI

FRONT



MATERIAL AVAILABILITY						
P	PRP	AG	SG	ST	CP1	XRAC
✓						

EQUIVALENT OE #	
OEM Suzuki	59300 24830

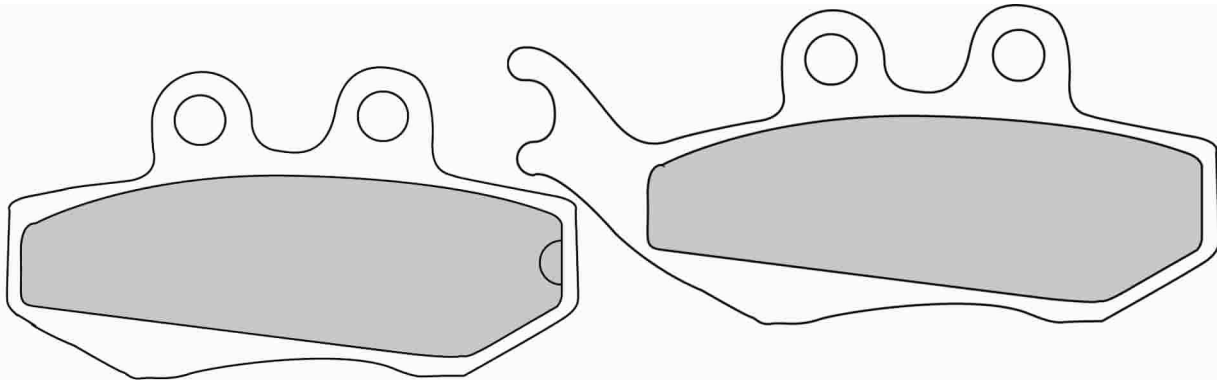
CROSS REFERENCE	
BREMBO	07SU0808
CL BRAKES	2386
EBC	FA106/2
GALFER	FD 070
LUCAS	MCB551
NEWFREN	.FD.0095
SBS	582
VESRAH	VD 329 /329/2

FDB677

94.0 x 42.0 x 7.5 mm / 77.0 x 42.0 x 7.5 mm

APRILIA, BENELLI, BETA, GASGAS, GILERA, HONDA, HONDA ITALIA, PEUGEOT, PIAGGIO, RIEJU, SACHS, YAMAHA

FRONT / REAR

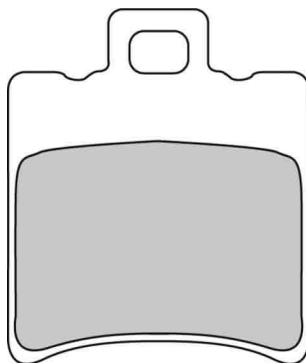


ALSO AVAILABLE		
SHAPE	TH. MM	NOTES
FDB2106	7.6	

MATERIAL AVAILABILITY						
P	PRP	AG	SG	ST	CP1	XRAC
✓		✓				

EQUIVALENT OE #	
OEM Derbi	00H04703141
OEM Piaggio	494628

CROSS REFERENCE	
BREMBO	7012
CL BRAKES	3031
CL BRAKES	3032
EBC	FA194
GALFER	FD 162
GALFER	FD 297
NEWFREN	.FD.0195
SBS	689



MATERIAL AVAILABILITY						
P	PRP	AG	SG	ST	CP1	XRAC
		✔		✔		

EQUIVALENT OE #	
OEM Aprilia	8113064
OEM Aprilia	8213245
OEM Aprilia	8113663
OEM Aprilia	8213318
OEM Aprilia	8113678
OEM Aprilia	8213197
OEM Aprilia	8213571
OEM Aprilia	8213192
OEM Aprilia	8113638
OEM Aprilia	8113644
OEM Benelli	R43420091A0
OEM Benelli	R44420041A0
OEM Beta	2525370000
OEM Beta	2525240000
OEM Gilera	647172
OEM Gilera	647171
OEM Gilera	498408
OEM Honda	06455 GBY 910
OEM Honda	06455 GBM 750
OEM Malagutti	11943900
OEM Malagutti	11950200
OEM Suzuki	59300 35810
OEM Suzuki	59300 09820
OEM Yamaha	5ME F5811 00
OEM Yamaha	5MF F5811 00
OEM Yamaha	5WW F5811 20
OEM Yamaha	5RW F5811 00
OEM Yamaha	4VV F5811 00

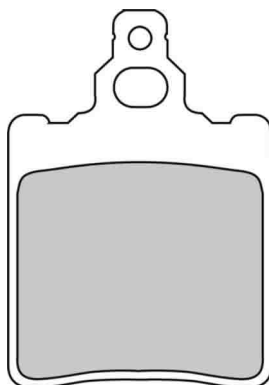
CROSS REFERENCE	
BREMBO	07BB1710
CL BRAKES	2307
CL BRAKES	3013
EBC	FA193
EBC	SFA193
GALFER	FD 153
NEWFREN	.FD.0196
SBS	697
SBS	725
SBS	771
VESRAH	VD 948

FDB694

35.0 x 52.0 x 6.0 mm

APRILIA, CAGIVA, DERBI, FANTIC, GARELLI, GILERA, HRD, KTM, LAVERDA, MALANCA, PUCH

FRONT / REAR



MATERIAL AVAILABILITY						
P	PRP	AG	SG	ST	CP1	XRAC
✓		✓	✓	✓		

EQUIVALENT OE #	
OEM KTM	46013090000

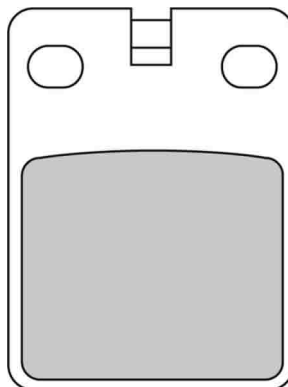
CROSS REFERENCE	
BREMBO	07BB1310
CL BRAKES	3037
EBC	FA060
GALFER	FD 048
NEWFREN	.FD.0048
SBS	574
VESRAH	VD 920

FDB695

37.8 x 51.1 x 7.0 mm

APRILIA, BETA, HONDA, LAVERDA, MOTO MORINI

FRONT / REAR



MATERIAL AVAILABILITY						
P	PRP	AG	SG	ST	CP1	XRAC
✗						

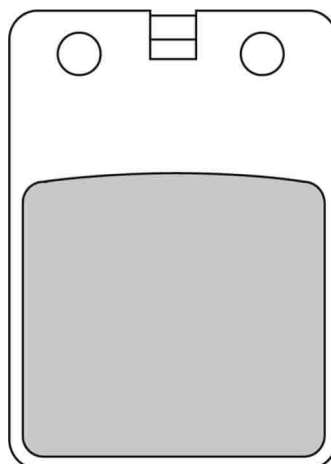
CROSS REFERENCE	
BREMBO	07GR1101
EBC	FA074
GALFER	FD 116
NEWFREN	.FD.0049
SBS	606

FDB696

43.6 x 64.6 x 7.0 mm

FANTIC, GARELLI, GILERA, MOTO MORINI, PUCH

FRONT



MATERIAL AVAILABILITY						
P	PRP	AG	SG	ST	CP1	XRAC
		⚠				

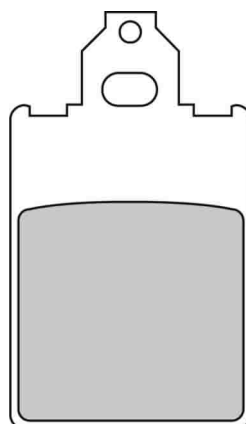
CROSS REFERENCE	
BREMBO	07GR1001
EBC	FA098
LUCAS	MCB576
NEWFREN	.FD.0069
SBS	605
VESRAH	VD 930

FDB697

32.0 x 57.0 x 5.5 mm

ACCOSSATO, APRILIA, ATK (USA), BETA, DERBI, FANTIC, GARELLI, GILERA, KTM, MALAGUTI, MBK, PIAGGIO, RIZZATO, TOMOS, YAMAHA

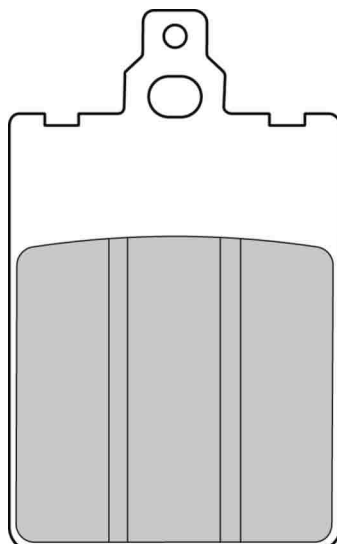
FRONT / REAR



MATERIAL AVAILABILITY						
P	PRP	AG	SG	ST	CP1	XRAC
		✓				

EQUIVALENT OE #	
OEM Yamaha	5BK F5811 00

CROSS REFERENCE	
BREMBO	07GR0601
CL BRAKES	3004
EBC	FA116
GALFER	FD 084
NEWFREN	.FD.0098
SBS	607
VESRAH	VD 937

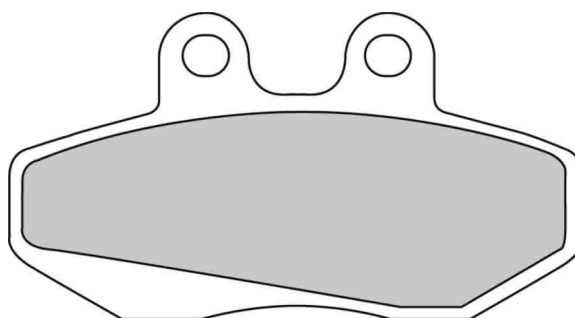


MATERIAL AVAILABILITY						
P	PRP	AG	SG	ST	CP1	XRAC
✓						

CROSS REFERENCE	
BREMBO	07GR0705
NEWFREN	.FD.0099

APRILIA, BETA, BULTACO, CAGIVA, DERBI, PEUGEOT, RIEJU, SACHS, SHERCO

FRONT / REAR



MATERIAL AVAILABILITY						
P	PRP	AG	SG	ST	CP1	XRAC
✓						

CROSS REFERENCE	
BREMBO	07GR1406
CL BRAKES	1144
EBC	FA167
GALFER	FD 133
LUCAS	MCB629
NEWFREN	.FD.0162
SBS	652

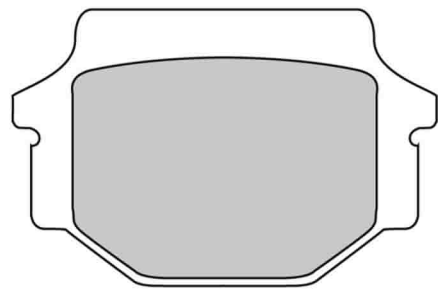
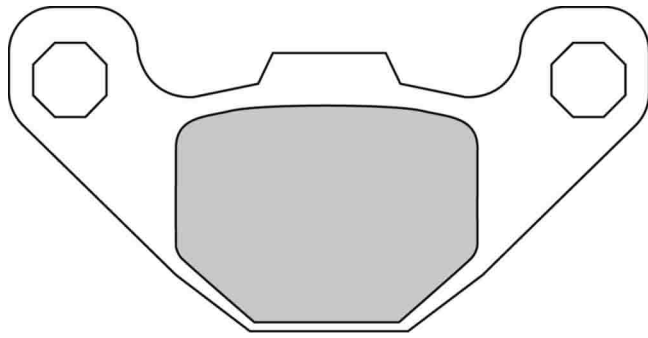
EQUIVALENT OE #	
OEM Aprilia	8113478

FDB731

84.0 x 43.0 x 6.1 mm / 55.5 x 37.0 x 8.4 mm

APRILIA, DERBI, FANTIC, KRAM IT, MALAGUTI

FRONT / REAR



MATERIAL AVAILABILITY						
P	PRP	AG	SG	ST	CP1	XRAC
✓						

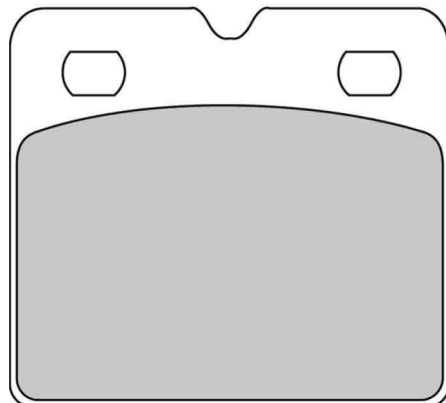
CROSS REFERENCE	
BREMBO	07BB0708
CL BRAKES	2466
EBC	FA067/2
LUCAS	MCB667
NEWFREN	.FD.0071
SBS	541

FDB736

57.8 x 53.4 x 9.0 mm

BMW

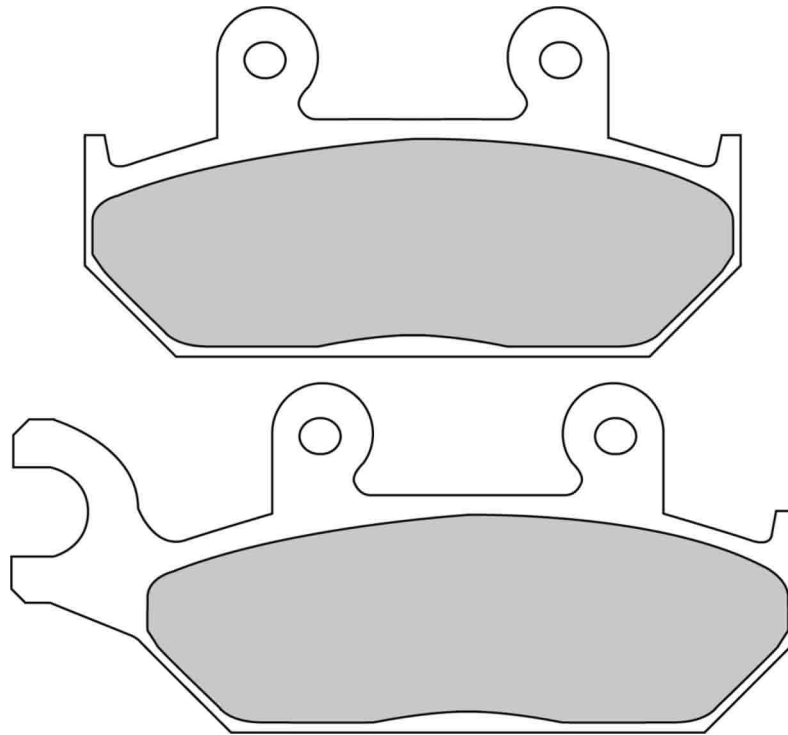
FRONT / REAR



MATERIAL AVAILABILITY						
P	PRP	AG	SG	ST	CP1	XRAC
✓				✓		

EQUIVALENT OE #	
OEM BMW	34 11 2 314 546

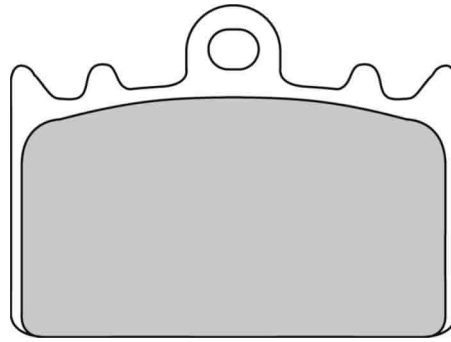
CROSS REFERENCE	
BREMBO	07BB2107
CL BRAKES	2258
EBC	FA171
GALFER	FD 137
LUCAS	MCB617
NEWFREN	.FD.0169
SBS	640
VESRAH	VD 934



MATERIAL AVAILABILITY						
P	PRP	AG	SG	ST	CP1	XRAC
✓						

EQUIVALENT OE #	
OEM Yamaha	3YF W0045 00
OEM Yamaha	3TB W0045 00
OEM Yamaha	4PT W0045 00

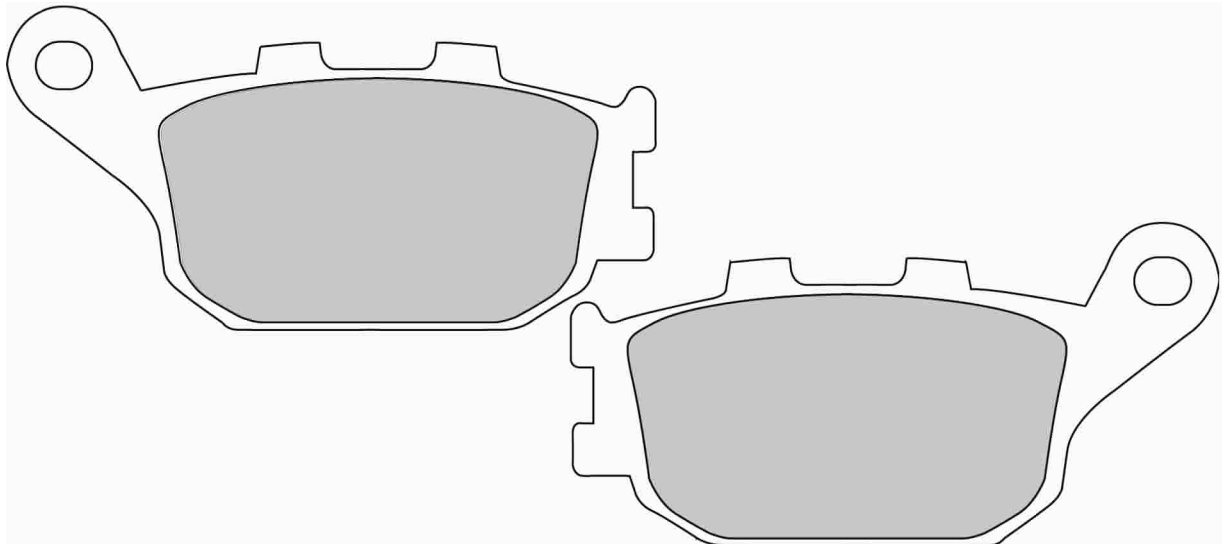
CROSS REFERENCE	
BREMBO	07YA2508
CL BRAKES	2360
EBC	FA172
GALFER	FD 129
LUCAS	MCB627
NEWFREN	.FD.0167
SBS	650
VESRAH	VD 252



MATERIAL AVAILABILITY						
P	PRP	AG	SG	ST	CP1	XRAC
✓						

EQUIVALENT OE #	
OEM Kawasaki	43082 1130
OEM Kawasaki	43082 1112

CROSS REFERENCE	
BREMBO	07KA1406
CL BRAKES	2363
EBC	FA180
GALFER	FD 141
LUCAS	MCB643
NEWFREN	.FD.0185
SBS	666
VESRAH	VD 433



MATERIAL AVAILABILITY						
P	PRP	AG	SG	ST	CP1	XRAC
✓				✓		

EQUIVALENT OE #	
OEM Honda	06435 MFG D01
OEM Honda	06435 MFG D02
OEM Honda	43105 MW0 415
OEM Honda	06435 MFG D02
OEM Honda	06435 MEJ 016
OEM Honda	06435 KFK 006
OEM Honda	06435 KFK 016
OEM Honda	06435 MEE 016
OEM Honda	43106 MV9 008
OEM Honda	43105 MW0 405
OEM Honda	43105 MW0 415
OEM Honda	43105 MV9 008
OEM Kawasaki	43082 0073
OEM Suzuki	69100 06830
OEM Suzuki	69100 04820
OEM Suzuki	69100 16851
OEM Suzuki	69101 44850
OEM Yamaha	5SL W0046 00
OEM Yamaha	5VX W0046 00

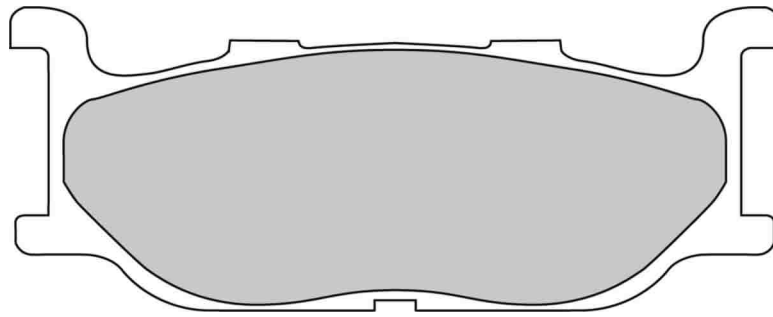
CROSS REFERENCE	
BREMBO	07HO3607
CL BRAKES	2296
EBC	FA174
GALFER	FD 134
LUCAS	MCB634LF
NEWFREN	.FD.0172
SBS	657
SBS	753
VESRAH	VD 163

FDB781

102.0 x 41.0 x 10.0 mm

YAMAHA

FRONT



MATERIAL AVAILABILITY						
P	PRP	AG	SG	ST	CP1	XRAC
✓				✓		

EQUIVALENT OE #	
OEM Yamaha	4WM W0045 00
OEM Yamaha	5BN W0045 00
OEM Yamaha	4KM W0045 00
OEM Yamaha	4BP W0045 00
OEM Yamaha	3LP W0045 00
OEM Yamaha	5S7 W0045 00

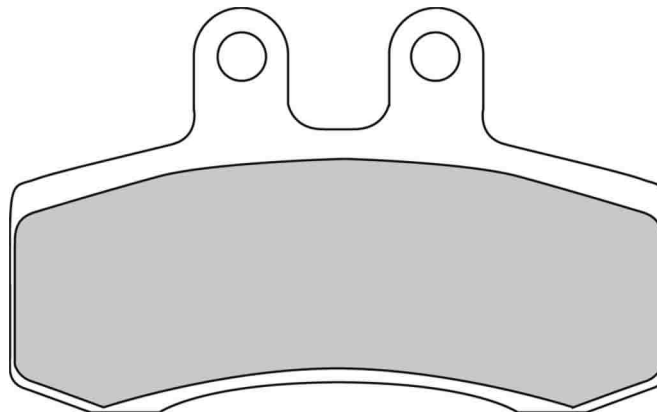
CROSS REFERENCE	
BREMBO	07YA2709
CL BRAKES	2391
EBC	FA179
GALFER	FD 142
LUCAS	MCB64
NEWFREN	.FD.0183
SBS	663
VESRAH	VD 255

FDB782

87.0 x 53.0 x 7.5 mm

APRILIA, MZ

FRONT



MATERIAL AVAILABILITY						
P	PRP	AG	SG	ST	CP1	XRAC
✓						

EQUIVALENT OE #	
OEM Aprilia	8113456
OEM MZ	9022001000

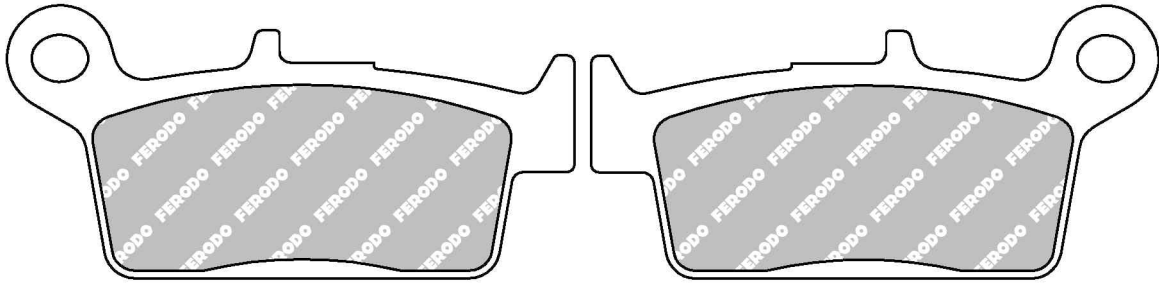
CROSS REFERENCE	
BREMBO	07GR2106
EBC	FA177
GALFER	FD 132
LUCAS	MCB652
NEWFREN	.FD.0171
SBS	681

FDB783

75.1 x 36.1 x 7.6 mm

HONDA, PEUGEOT

FRONT / REAR



ALSO AVAILABLE		
SHAPE	TH. MM	NOTES
FDB539	9.7	
FDB672	9.1	

CROSS REFERENCE	
BREMBO	7010
EBC	FA131/2
EBC	SFA131/2
GALFER	FD 147
NEWFREN	.FD.0178
SBS	673
VESRAH	VD 144

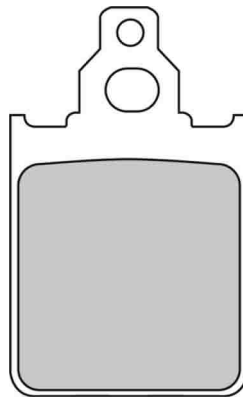
MATERIAL AVAILABILITY						
P	PRP	AG	SG	ST	CP1	XRAC
		✓				

FDB784

31.7 x 51.1 x 5.6 mm

ITALJET, PIAGGIO

FRONT



MATERIAL AVAILABILITY						
P	PRP	AG	SG	ST	CP1	XRAC
		✓				

CROSS REFERENCE	
BREMBO	07GR2004
CL BRAKES	2260
CL BRAKES	3005
EBC	FA186
EBC	SFA186
GALFER	FD 152
NEWFREN	.FD.0194
SBS	680
VESRAH	VD 949

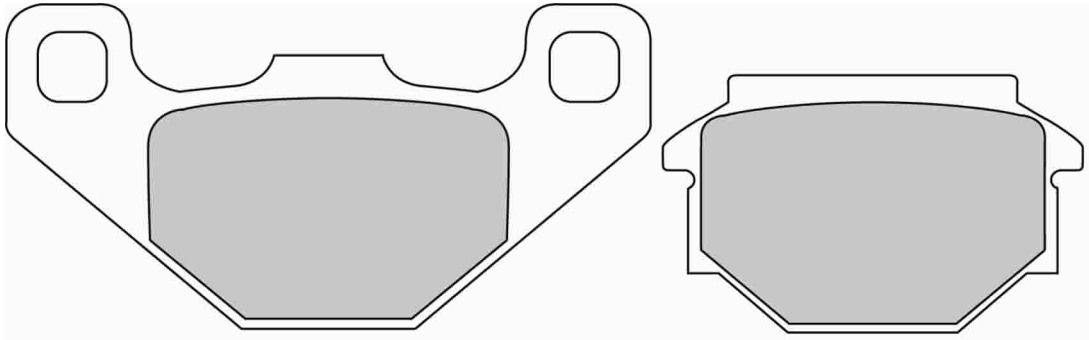
EQUIVALENT OE #	
OEM Cagiva	8000 67127
OEM Piaggio	1498414

FDB828

85.0 x 42.7 x 7.5 mm / 56.0 x 34.5 x 9.8 mm

APRILIA, BETA, CAGIVA, FANTIC, GARELLI, GILERA, HONDA, HONDA ITALIA, LEM, MALAGUTI, MZ, RIEJU, SACHS, SUZUKI ATV

FRONT / REAR



MATERIAL AVAILABILITY						
P	PRP	AG	SG	ST	CP1	XRAC
✓				✓		

EQUIVALENT OE #	
OEM Aprilia	8113595
OEM Aprilia	8113375
OEM MZ	9022031000

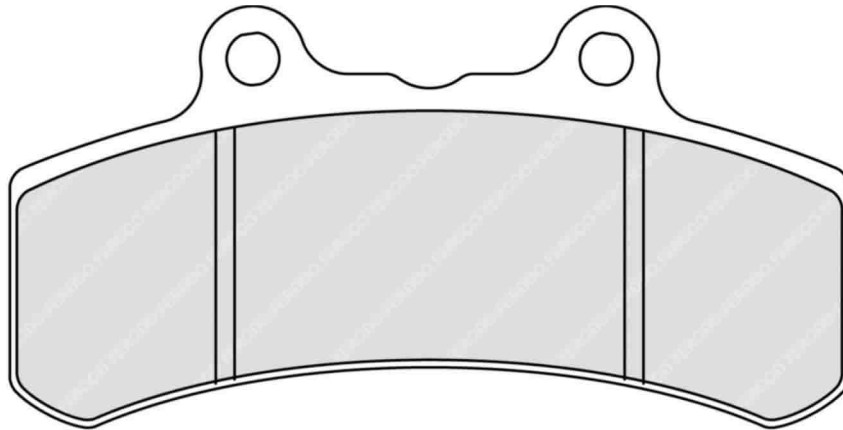
CROSS REFERENCE	
BREMBO	07GR0416
CL BRAKES	2472
CL BRAKES	3012
CL BRAKES	3024
EBC	FA173
EBC	FA382
GALFER	FD 135
NEWFREN	.FD.0165
SBS	684
VESRAH	VD 425

FDB847

111.8 x 56.0 x 11.0 mm

BUELL

FRONT



MATERIAL AVAILABILITY						
P	PRP	AG	SG	ST	CP1	XRAC
✓						

CROSS REFERENCE	
BREMBO	07HD1109
CL BRAKES	2369
EBC	FA210
NEWFREN	.FD.0270
SBS	658

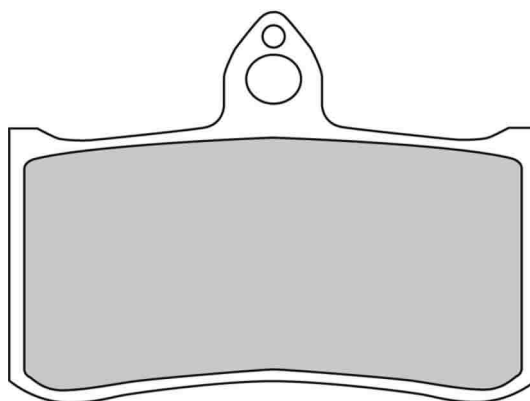
5070

FDB858

69.8 x 52.5 x 8.7 mm

HONDA

FRONT / REAR



MATERIAL AVAILABILITY						
P	PRP	AG	SG	ST	CP1	XRAC
				✓	✓	

EQUIVALENT OE #	
OEM Honda	06455 MW4 405

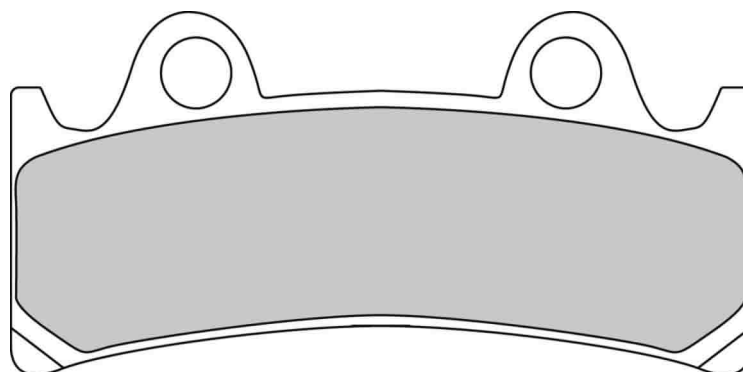
CROSS REFERENCE	
BREMBO	07HO2807
CL BRAKES	2245
EBC	FA187
EBC	FA239
GALFER	FD 148
LUCAS	MCB593
NEWFREN	.FD.0198
SBS	622
VESRAH	VD 154

FDB864

98.0 x 50.0 x 9.9 mm

TRIUMPH, YAMAHA

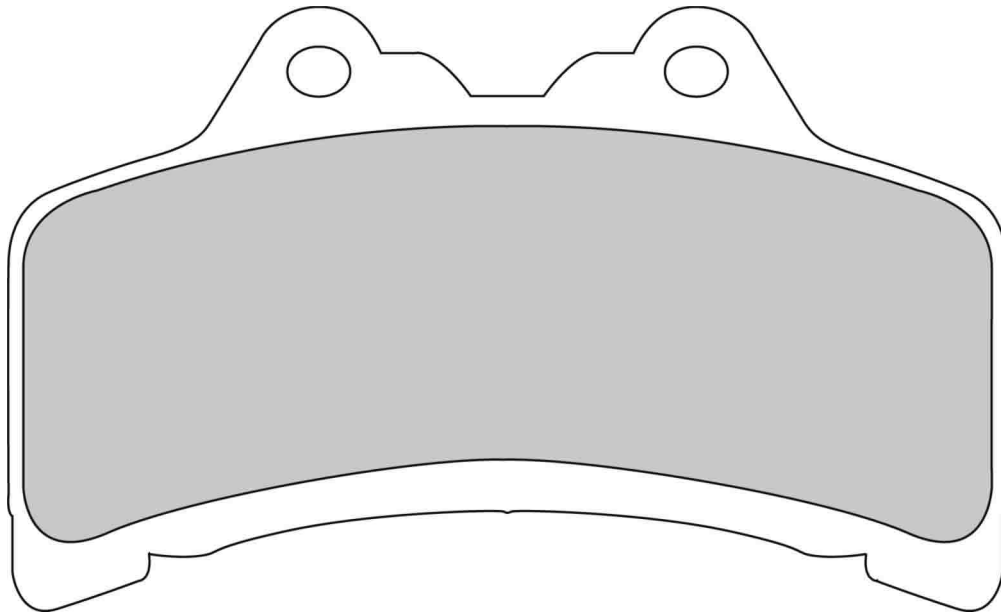
FRONT



MATERIAL AVAILABILITY						
P	PRP	AG	SG	ST	CP1	XRAC
✓	✗			✓		

EQUIVALENT OE #	
OEM Triumph	T2020211
OEM Yamaha	4FM W0045 10
OEM Yamaha	4FM W0045 00
OEM Yamaha	4FM W0045 20
OEM Yamaha	4FMW004530

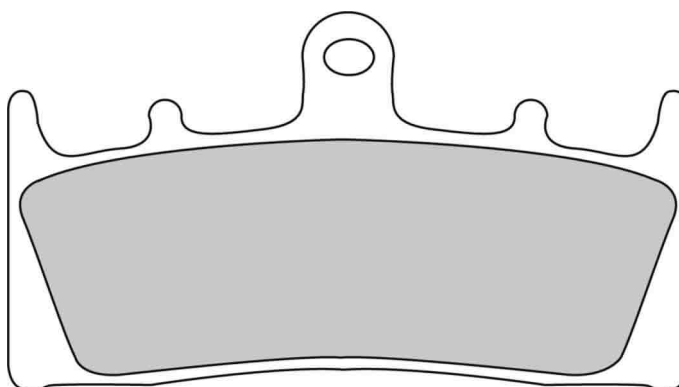
CROSS REFERENCE	
BREMBO	07YA3208
CL BRAKES	2254
EBC	FA190
GALFER	FD 157
LUCAS	MCB656
NEWFREN	.FD.0201
SBS	683
VESRAH	VD 258



MATERIAL AVAILABILITY						
P	PRP	AG	SG	ST	CP1	XRAC
!						

EQUIVALENT OE #	
OEM Yamaha	4BH W0045 01

CROSS REFERENCE	
BREMBO	07YA3108
CL BRAKES	2362
EBC	FA191
GALFER	FD 154
LUCAS	MCB655
NEWFREN	.FD.0200
SBS	682
VESRAH	VD 259

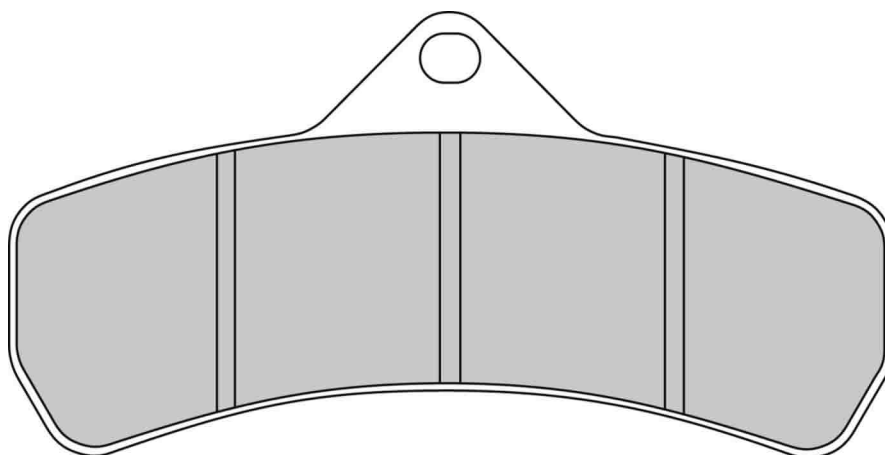


ALSO AVAILABLE		
SHAPE	TH. MM	NOTES
FDB2144	9.9	Racing Applications

MATERIAL AVAILABILITY						
P	PRP	AG	SG	ST	CP1	XRAC
✓	✗			✓	✓	✓

EQUIVALENT OE #	
OEM Kawasaki	43082 1224
OEM Kawasaki	43082 1227
OEM Kawasaki	43082 1230
OEM Kawasaki	43082 1199
OEM Kawasaki	43082 1250
OEM Kawasaki	43082 1252
OEM Kawasaki	43082 1253
OEM Kawasaki	43082 1259
OEM Kawasaki	43082 1272
OEM Kawasaki	43082 1251
OEM Kawasaki	43082 1274
OEM Kawasaki	43082 1179
OEM Suzuki	59301 33890
OEM Suzuki	59130 46E00
OEM Suzuki	59300 33890
OEM Suzuki	59301 33870
OEM Suzuki	59300 46840

CROSS REFERENCE	
BREMBO	07SU1907
CL BRAKES	2255
EBC	FA188
GALFER	FD 156
LUCAS	MCB659
NEWFREN	.FD.0199
SBS	686
VESRAH	VD 349

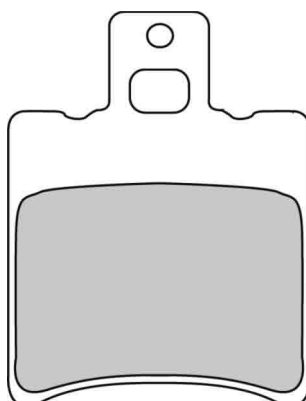


MATERIAL AVAILABILITY						
P	PRP	AG	SG	ST	CP1	XRAC
✓						

CROSS REFERENCE	
CL BRAKES	2586
NEWFREN	.FD.0204

APRILIA, BETA, DERBI, MBK, MONTESA, PGO, SUZUKI, YAMAHA

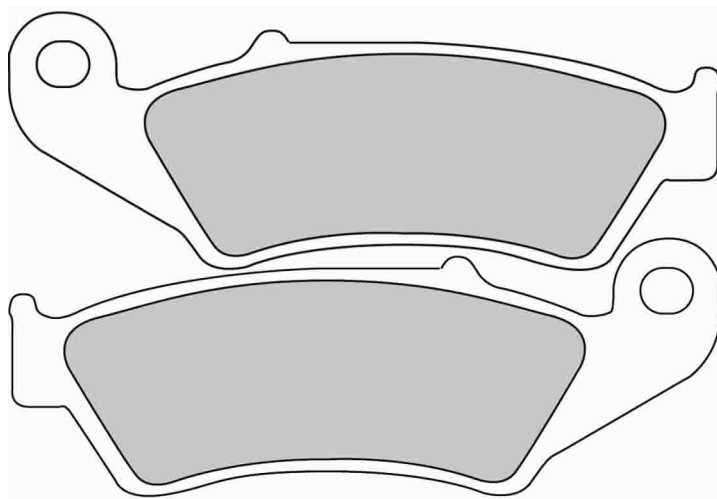
FRONT / REAR



MATERIAL AVAILABILITY						
P	PRP	AG	SG	ST	CP1	XRAC
		✓		✓		

EQUIVALENT OE #	
OEM Yamaha	5WW F5811 20

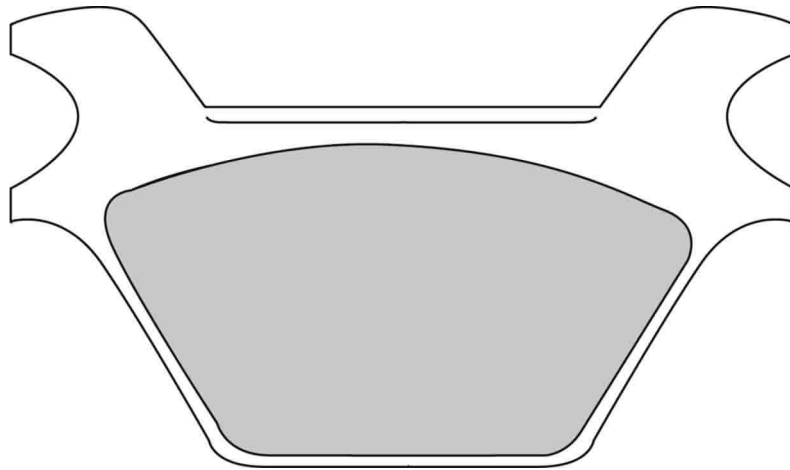
CROSS REFERENCE	
BREMBO	07YA2905
CL BRAKES	2307
EBC	FA206
EBC	SFA193
GALFER	FD 170
GALFER	FD 171
NEWFREN	.FD.0197
SBS	667
VESRAH	VD 256



MATERIAL AVAILABILITY						
P	PRP	AG	SG	ST	CP1	XRAC
✓			✓			

EQUIVALENT OE #	
OEM Aprilia	9100788
OEM Honda	45105 KT0 405
OEM Honda	45105-KZ1-405
OEM Honda	45105 MY6 405
OEM Honda	45105 MY6 415
OEM Honda	06455 KCZ 000
OEM Honda	06455 MAY 000
OEM Honda	06455 MY1 405
OEM Kawasaki	43082 1286
OEM Kawasaki	43082 0049
OEM Kawasaki	43082 1149
OEM Kawasaki	43082 1247
OEM Kawasaki	43082 1266
OEM Kawasaki	43082 1172
OEM Kawasaki	43082 1218
OEM Kawasaki	43082 1152
OEM Kawasaki	43082 1193
OEM Suzuki	59300 36890
OEM Suzuki	59300 13860
OEM Suzuki	59300 36850
OEM Suzuki	59300 13830
OEM Suzuki	59300 36860
OEM Suzuki	59301 36810
OEM Suzuki	59300 36870
OEM Suzuki	59300 36880
OEM Yamaha	5DH W0045 10
OEM Yamaha	5MV W0045 00
OEM Yamaha	5MV W0045 01
OEM Yamaha	5DH W0045 00
OEM Yamaha	5D7 F5811 00
OEM Yamaha	32D W0045 00

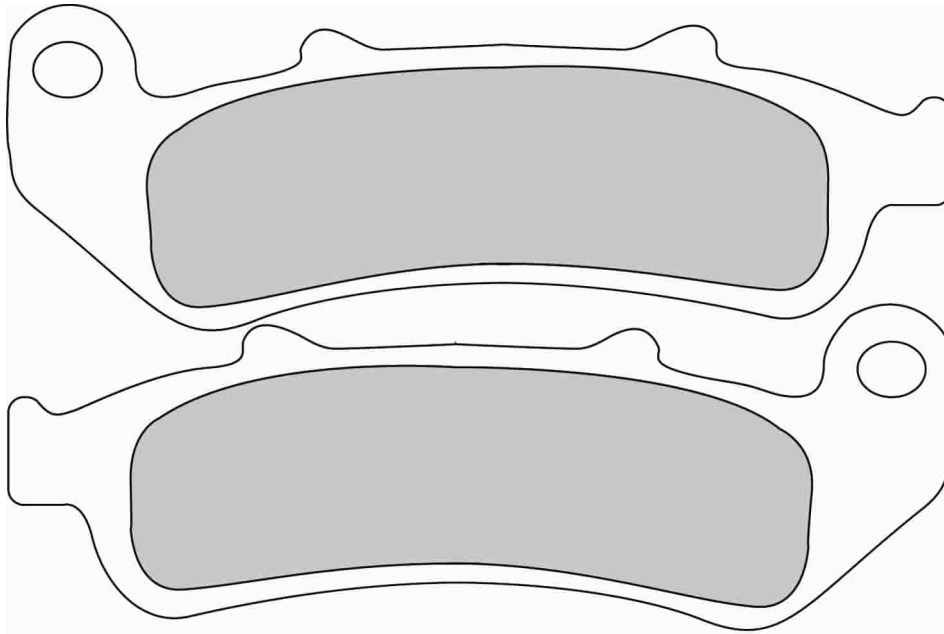
CROSS REFERENCE	
BREMBO	07KA1705
CL BRAKES	2300
EBC	FA185
GALFER	FD 164
LUCAS	MCB669
NEWFREN	.FD.0193
SBS	694
VESRAH	VD 161



MATERIAL AVAILABILITY						
P	PRP	AG	SG	ST	CP1	XRAC
✓	✓		✓			

EQUIVALENT OE #	
OEM Harley	44213 87
OEM Harley	44209 87C
OEM Harley	44209 87B

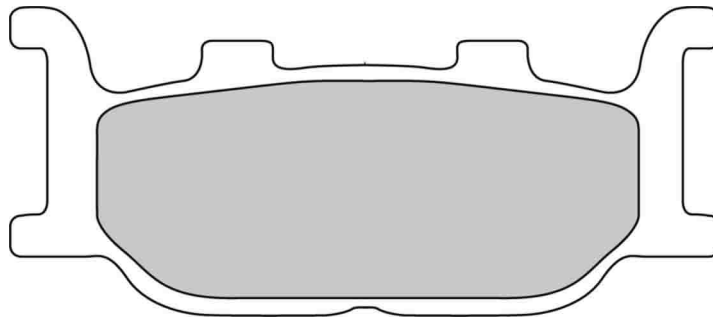
CROSS REFERENCE	
BREMBO	07HD1011
CL BRAKES	2370
EBC	FA139
EBC	FA200
GALFER	FD 126
LUCAS	MCB583LF
NEWFREN	.FD.0150
SBS	669
VESRAH	VD 957



MATERIAL AVAILABILITY						
P	PRP	AG	SG	ST	CP1	XRAC
✓				✓		

EQUIVALENT OE #	
OEM Honda	06455 MZ1 405
OEM Honda	06455 MZ2 405
OEM Honda	06455-MZ2-415

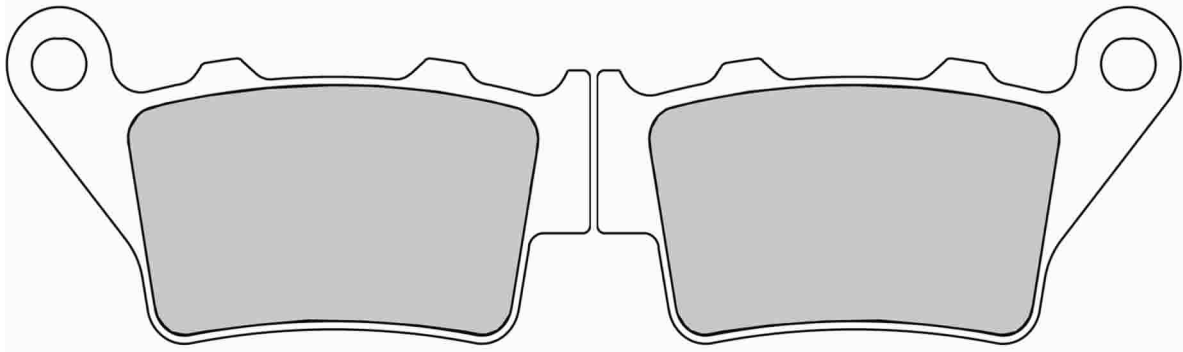
CROSS REFERENCE	
BREMBO	07HO3907
CL BRAKES	2257
EBC	FA189
GALFER	FD 155
LUCAS	MCB658
NEWFREN	.FD.0203
SBS	685
VESRAH	VD 164



MATERIAL AVAILABILITY						
P	PRP	AG	SG	ST	CP1	XRAC
✓		✓		✓		

EQUIVALENT OE #	
OEM Yamaha	5VU W0045 00
OEM Yamaha	4EB W0045 00
OEM Yamaha	5VX W0045 00
OEM Yamaha	1B7 W0045 00
OEM Yamaha	4HM W0045 00
OEM Yamaha	5RU W0045 10

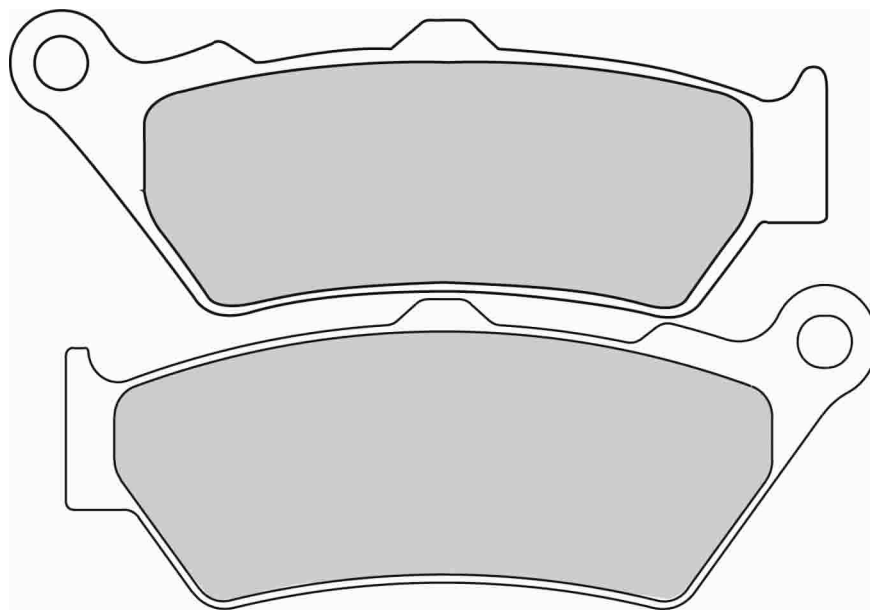
CROSS REFERENCE	
BREMBO	07YA3408
CL BRAKES	2546
CL BRAKES	3025
EBC	FA199
GALFER	FD 169
LUCAS	MCB666
NEWFREN	.FD.0205
SBS	691
VESRAH	VD 260



MATERIAL AVAILABILITY						
P	PRP	AG	SG	ST	CP1	XRAC
✓			✓	✓		

EQUIVALENT OE #	
OEM Aprilia	858200
OEM Aprilia	8113538
OEM BMW	34 21 7 664 983
OEM BMW	34 21 2 345 449
OEM Ducati	61340761A
OEM Honda	06435 MAK 003
OEM KTM	75013090000
OEM KTM	50313090000
OEM KTM	54613309300
OEM KTM	54613309200
OEM KTM	50313030100
OEM Yamaha	5VK W004 600
OEM Yamaha	4GV F5811 00

CROSS REFERENCE	
BREMBO	07BB0210
CL BRAKES	2353
EBC	FA208
EBC	FA213
GALFER	FD 165
NEWFREN	.FD.0206
SBS	675
VESRAH	VD 953



MATERIAL AVAILABILITY						
P	PRP	AG	SG	ST	CP1	XRAC
✓				✓		

CROSS REFERENCE	
BREMBO	07BB0311
CL BRAKES	2396
EBC	FA209
EBC	FA209/2
GALFER	FD 172
NEWFREN	.FD.0216
SBS	674
VESRAH	VD 958

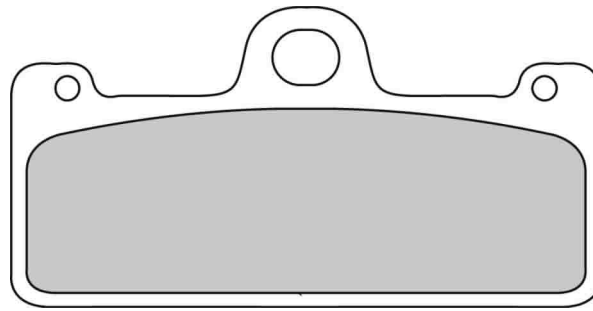
EQUIVALENT OE #	
OEM Aprilia	8113627
OEM Aprilia	811 3533
OEM Aprilia	8113489
OEM Aprilia	8113988
OEM Aprilia	8113627
OEM BMW	34 11 7 697 086
OEM BMW	341 12345 445
OEM BMW	34 11 7 651 958
OEM BMW	34 11 7 696 593
OEM BMW	34 11 7 705 216
OEM BMW	34 21 7 724 609
OEM BMW	34 21 8 534 821
OEM Ducati	61340751A
OEM Ducati	61370721A
OEM Honda	06455 MAK 000
OEM Honda	06455 MAK 003
OEM Honda	06455 MY5 731
OEM KTM	60013030000
OEM Moto Guzzi	30654626
OEM Moto Guzzi	3654600
OEM Triumph	T2020691

FDB2007

78.0 x 41.0 x 8.7 mm

APRILIA, DUCATI

FRONT



ALSO AVAILABLE		
SHAPE	TH. MM	NOTES
FDB2123	10.0	

MATERIAL AVAILABILITY						
P	PRP	AG	SG	ST	CP1	XRAC
!					✓	✓

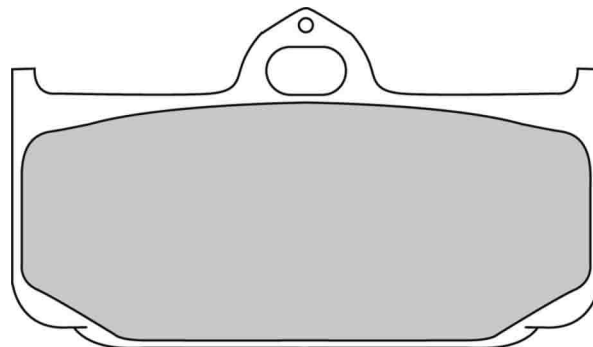
CROSS REFERENCE	
CL BRAKES	2329
EBC	FA218
GALFER	FD 168
NEWFREN	.FD.0213
SBS	695

FDB2008

77.6 x 45.4 x 8.7 mm

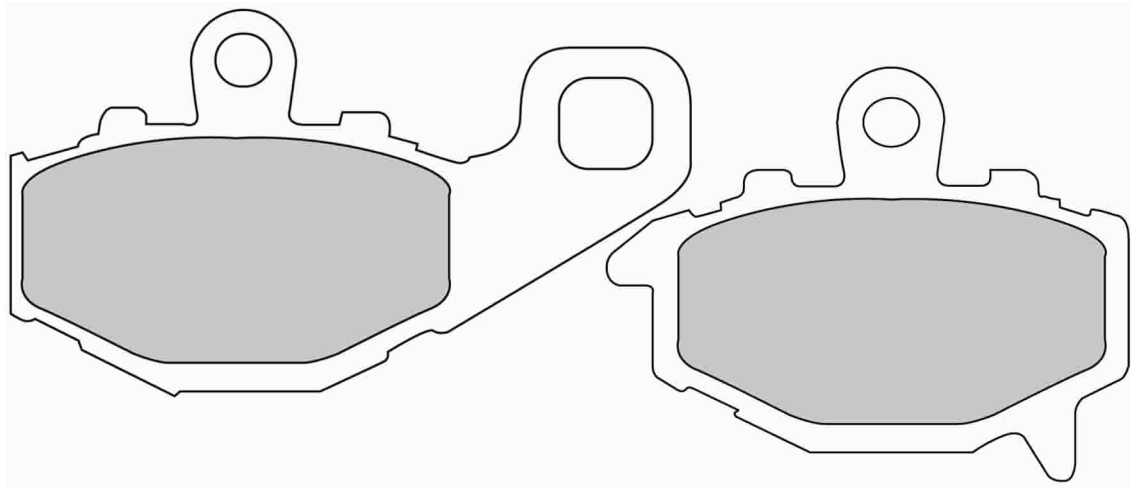
HONDA

FRONT



MATERIAL AVAILABILITY						
P	PRP	AG	SG	ST	CP1	XRAC
!						

CROSS REFERENCE	
CL BRAKES	2470
EBC	FA211
NEWFREN	.FD.0215



MATERIAL AVAILABILITY						
P	PRP	AG	SG	ST	CP1	XRAC
✓				✓		

EQUIVALENT OE #	
OEM Kawasaki	43082 1190
OEM Kawasaki	43082 0068
OEM Kawasaki	43082 0004
OEM Kawasaki	43082 1213
OEM Kawasaki	43082 1157
OEM Kawasaki	43082 1171
OEM Kawasaki	43082 1160

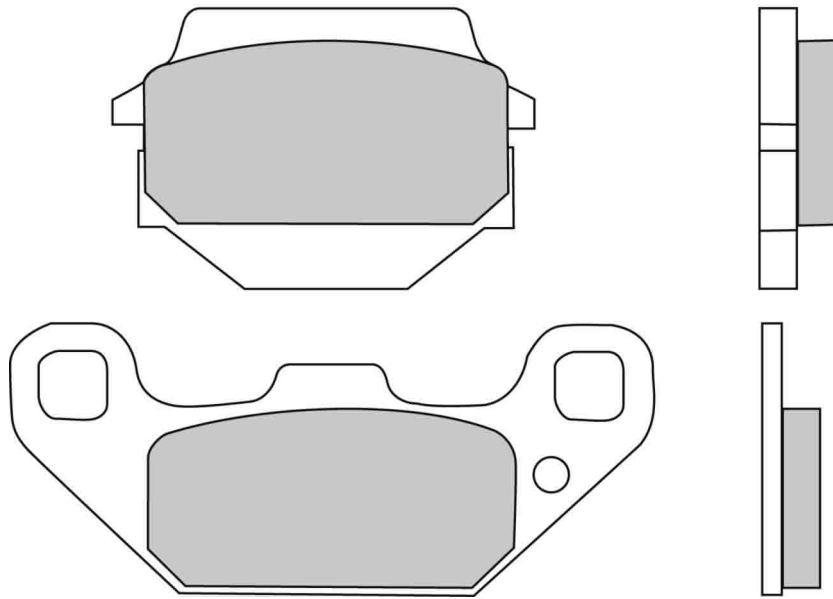
CROSS REFERENCE	
BREMBO	07KA1617
CL BRAKES	2381
EBC	FA192
GALFER	FD 167
LUCAS	MCB662
NEWFREN	.FD.0207
SBS	687
VESRAH	VD 434

FDB2013

56.0 x 37.0 x 10.3 mm / 85.0 x 36.0 x 7.9 mm

KAWASAKI ATV, SUZUKI ATV

FRONT



MATERIAL AVAILABILITY						
P	PRP	AG	SG	ST	CP1	XRAC
			✓			

EQUIVALENT OE #	
OEM Kawasaki	43082 1163

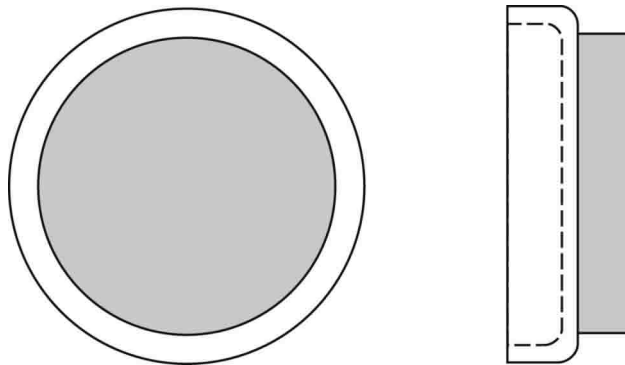
CROSS REFERENCE	
BREMBO	07SU1132
CL BRAKES	2799
EBC	FA128
LUCAS	MCB56
NEWFREN	.FD.0110
SBS	591
VESRAH	VD 332

FDB2014

47.0 x 47.0 x 16.5 mm

YAMAHA 3 WHEELERS, YAMAHA ATV, YAMAHA SNOWMOBILE

FRONT / REAR



MATERIAL AVAILABILITY						
P	PRP	AG	SG	ST	CP1	XRAC
			✓			

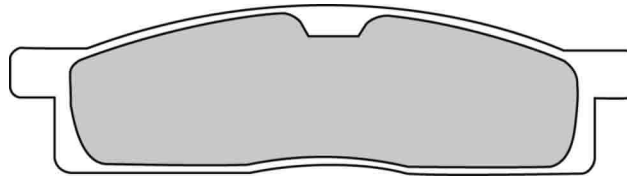
CROSS REFERENCE	
BREMBO	07YA1519
EBC	FA021
LUCAS	MCB567
NEWFREN	.FD.0278
SBS	576
VESRAH	VD 234

FDB2015

83.0 x 22.0 x 7.0 mm

KAWASAKI, YAMAHA

FRONT / REAR



MATERIAL AVAILABILITY						
P	PRP	AG	SG	ST	CP1	XRAC
			✓			

EQUIVALENT OE #	
OEM Yamaha	2HF W0046 00
OEM Yamaha	4ES W0045 20
OEM Yamaha	4ES W0045 00
OEM Yamaha	3UN W0045 00
OEM Yamaha	5PA W0045 00
OEM Yamaha	1LR W0046 00

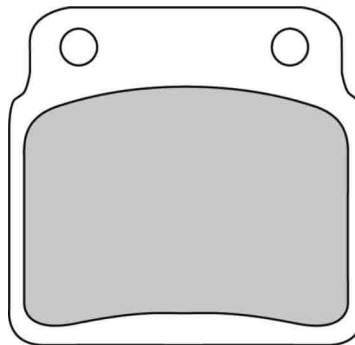
CROSS REFERENCE	
BREMBO	07YA1605
CL BRAKES	2424
EBC	FA119
GALFER	FD 097
LUCAS	MCB558
NEWFREN	.FD.0102
SBS	589
VESRAH	VD 244

FDB2016

47.0 x 45.0 x 7.3 mm

ARCTIC CAT ATV, HYOSUNG ATV, KAWASAKI ATV, SUZUKI ATV

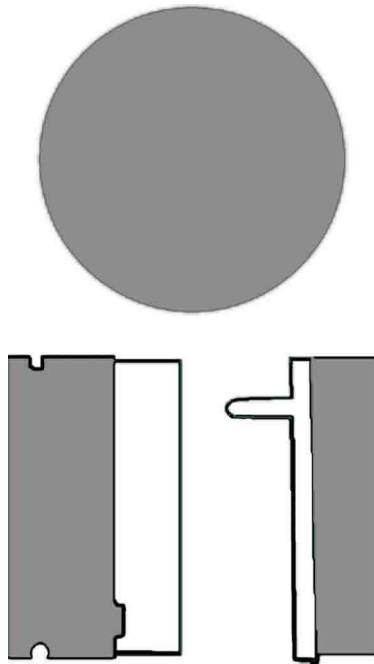
FRONT / REAR



MATERIAL AVAILABILITY						
P	PRP	AG	SG	ST	CP1	XRAC
			✓			

EQUIVALENT OE #	
OEM Suzuki	69100 01810
OEM Suzuki	69100 07810

CROSS REFERENCE	
BREMBO	07SU2906
EBC	FA137
NEWFREN	.FD.0145
SBS	649
VESRAH	VD 341

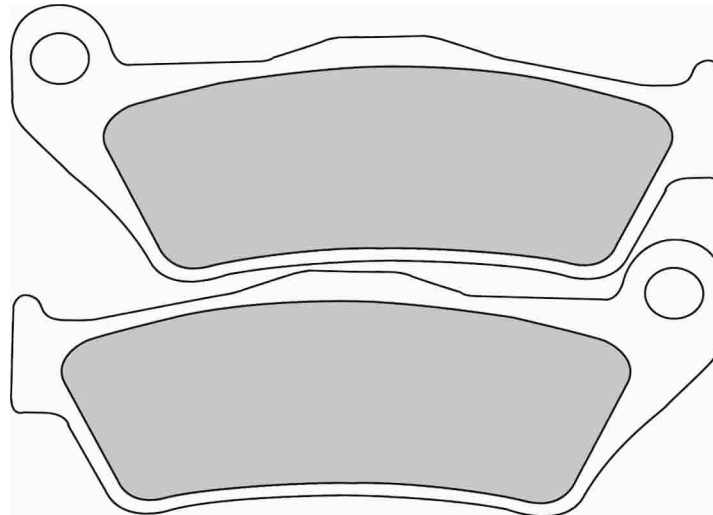


MATERIAL AVAILABILITY						
P	PRP	AG	SG	ST	CP1	XRAC
			✔			

CROSS REFERENCE	
DUNLOPAD	DP843
EBC	FA155
SBS	637
VESRAH	VD 261

ALFER, APRILIA, ATK (USA), BENELLI, BETA, BMW, CAGIVA, CCM, DERBI, DUCATI, GASGAS, GASGAS ATV, GILERA, HUSABERG, HUSQVARNA, KTM, MAICO, MBK, MOTO GUZZI, MOTO MORINI, PIAGGIO, RIEJU, SHERCO, SUZUKI, TM, YAMAHA

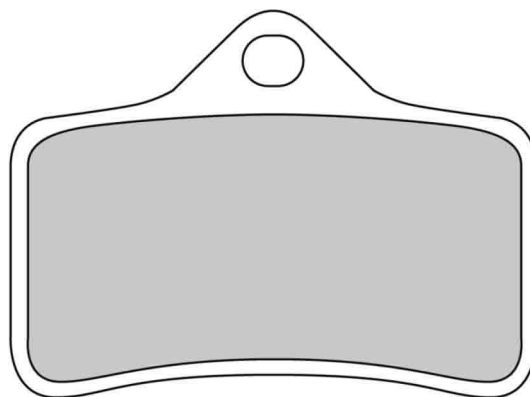
FRONT / REAR



MATERIAL AVAILABILITY						
P	PRP	AG	SG	ST	CP1	XRAC
✓			✓	✓		

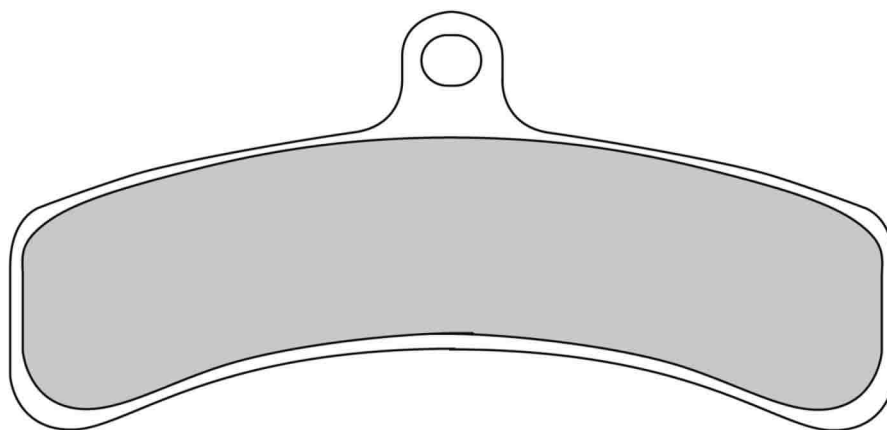
EQUIVALENT OE #	
OEM Aprilia	8113593
OEM BMW	34 11 7 717 309
OEM Ducati	61340721A
OEM Gilera	497396
OEM Gilera	647074
OEM KTM	54613209244
OEM KTM	50313030300
OEM KTM	58413030000
OEM KTM	50313030200
OEM KTM	5DSF581100
OEM KTM	60013016000
OEM KTM	77013020000
OEM KTM	50313030000
OEM KTM	54613209044
OEM Moto Guzzi	56546300
OEM Moto Guzzi	30654625
OEM Piaggio	CM077902
OEM Yamaha	11D F5811 00
OEM Yamaha	4GV F5911 00
OEM Yamaha	2C8 W0045 00
OEM Yamaha	4GV W0045 10
OEM Yamaha	1D5 F5811 00
OEM Yamaha	1B9 W0045 00
OEM Yamaha	5VK W0045 00

CROSS REFERENCE	
BREMBO	07BB0410
CL BRAKES	2352
EBC	FA181
EBC	FA245
GALFER	FD 138
LUCAS	MCB626
NEWFREN	.FD.0186
SBS	671
VESRAH	VD 947



MATERIAL AVAILABILITY						
P	PRP	AG	SG	ST	CP1	XRAC
✓						

CROSS REFERENCE	
CL BRAKES	2920
EBC	FA361



MATERIAL AVAILABILITY						
P	PRP	AG	SG	ST	CP1	XRAC
✉						

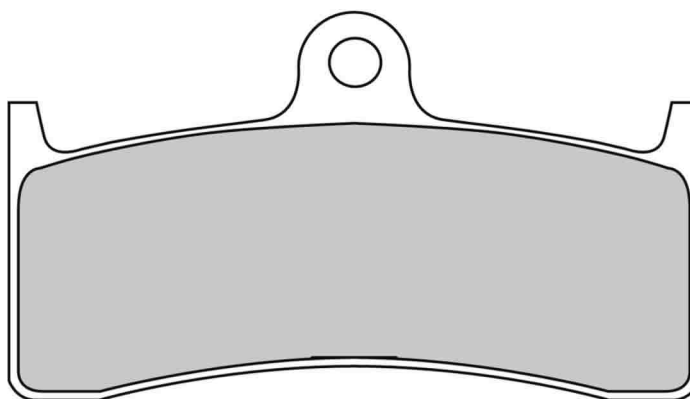
CROSS REFERENCE	
CL BRAKES	2919
EBC	FA362
NEWFREN	.FD.0234


FDB2036

91.6 x 51.5 x 8.5 mm

BUELL, HONDA, KAWASAKI, MV AGUSTA

FRONT



MATERIAL AVAILABILITY						
P	PRP	AG	SG	ST	CP1	XRAC
✓				✓		

EQUIVALENT OE #	
OEM Kawasaki	43082 1181
OEM MV Agusta	8000 94024

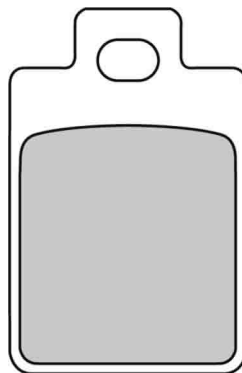
CROSS REFERENCE	
BREMBO	07KA20RC
CL BRAKES	2404
CL BRAKES	2899
EBC	FA249
GALFER	FD 246
LUCAS	MCB660
NEWFREN	.FD.0246
SBS	676
SBS	729
VESRAH	VD 437

FDB2037

31.6 x 49.0 x 7.0 mm

PIAGGIO

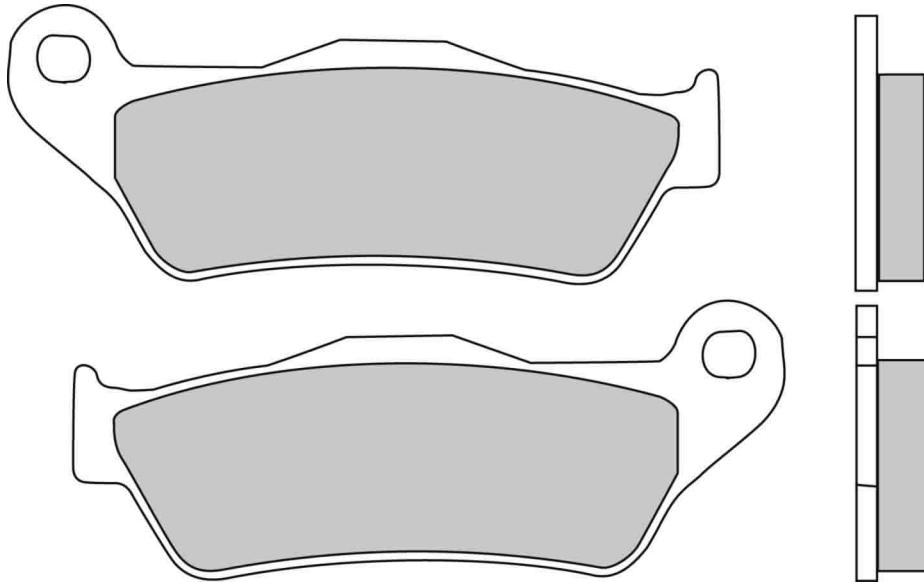
FRONT



MATERIAL AVAILABILITY						
P	PRP	AG	SG	ST	CP1	XRAC
		✓				

EQUIVALENT OE #	
OEM Piaggio	1498846

CROSS REFERENCE	
BREMBO	7017
EBC	FA255
EBC	SFA255
GALFER	FD 197
NEWFREN	.FD.0225
SBS	712
VESRAH	VD 955



MATERIAL AVAILABILITY						
P	PRP	AG	SG	ST	CP1	XRAC
✓				✓		

EQUIVALENT OE #	
OEM Aprilia	8133516
OEM BMW	34 21 2 335 465
OEM BMW	34 21 7 671 881
OEM BMW	34 21 7 660 281
OEM BMW	34 21 2 330 633
OEM BMW	34 21 2 332 988
OEM BMW	34 21 2 314 997AE

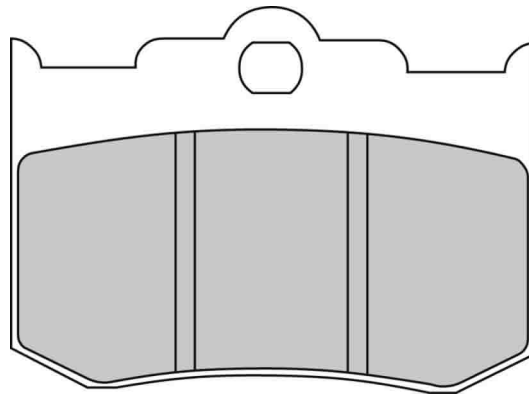
CROSS REFERENCE	
BREMBO	07BB0410
CL BRAKES	2900
EBC	FA363
GALFER	FD 186
LUCAS	MCB648
NEWFREN	.FD.0229
SBS	742
VESRAH	VD 947

FDB2040

69.4 x 51.1 x 7.9 mm

INDIAN

FRONT / REAR



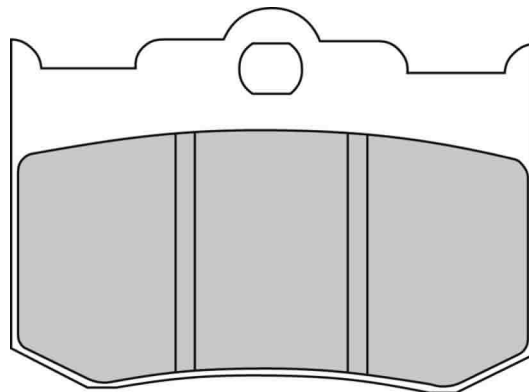
ALSO AVAILABLE		
SHAPE	TH. MM	NOTES
FDB2041	11.0	

CROSS REFERENCE	
EBC	FA216/3
NEWFREN	.FD.0297
SBS	678

MATERIAL AVAILABILITY						
P	PRP	AG	SG	ST	CP1	XRAC
✓	✓			✓		

FDB2041

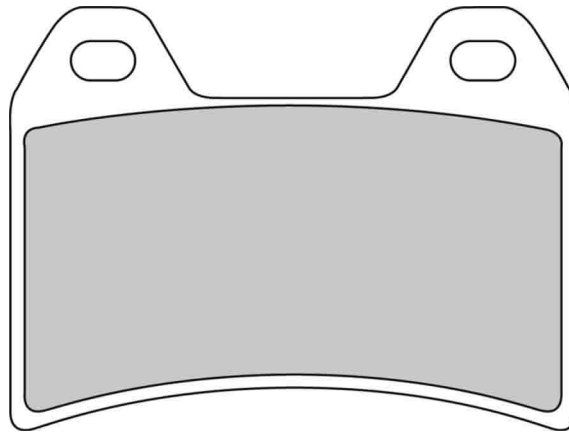
69.4 x 51.1 x 11.0 mm



ALSO AVAILABLE		
SHAPE	TH. MM	NOTES
FDB2040	7.9	

CROSS REFERENCE	
EBC	FA216/2
NEWFREN	.FD.0299
SBS	662

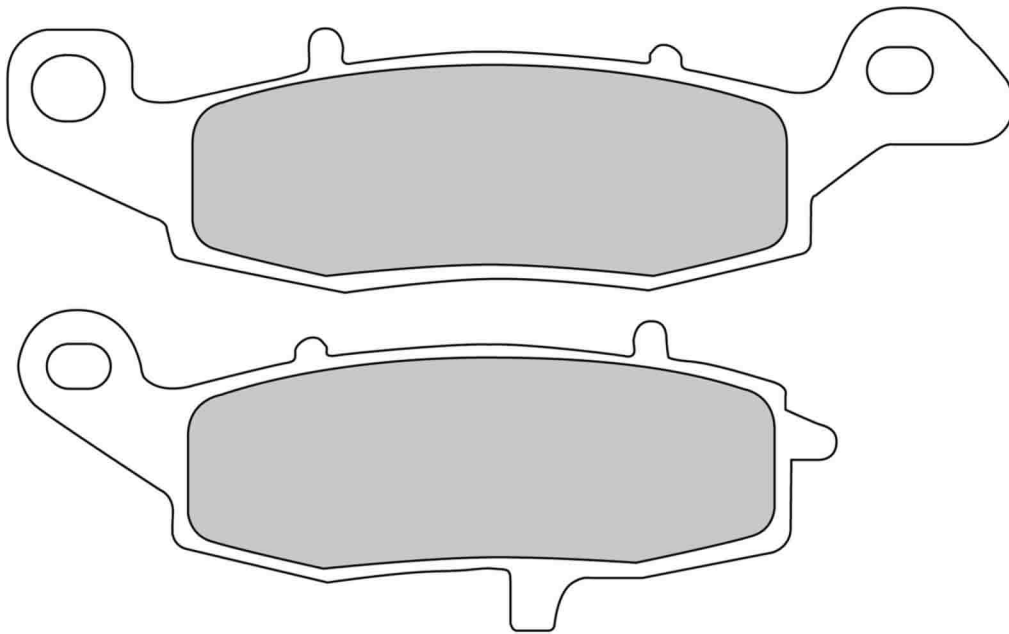
MATERIAL AVAILABILITY						
P	PRP	AG	SG	ST	CP1	XRAC
✓						



MATERIAL AVAILABILITY						
P	PRP	AG	SG	ST	CP1	XRAC
✓				✓	✓	✓

EQUIVALENT OE #	
OEM Aprilia	8113720
OEM Aprilia	8113754
OEM Aprilia	8133614
OEM Benelli	R300000126000
OEM Cagiva	8000 B1593
OEM Cagiva	8000 95542
OEM Ducati	61340611A
OEM Ducati	61340201A
OEM Ducati	61340411A
OEM Ducati	613400201A
OEM Ducati	61340211B
OEM KTM	58713030000
OEM KTM	58413130000
OEM Moto Guzzi	1654630
OEM Moto Guzzi	16546300
OEM Moto Guzzi	326546100
OEM Moto Guzzi	1654630
OEM Suzuki	59100 03860
OEM Yamaha	1D2 W0045 00

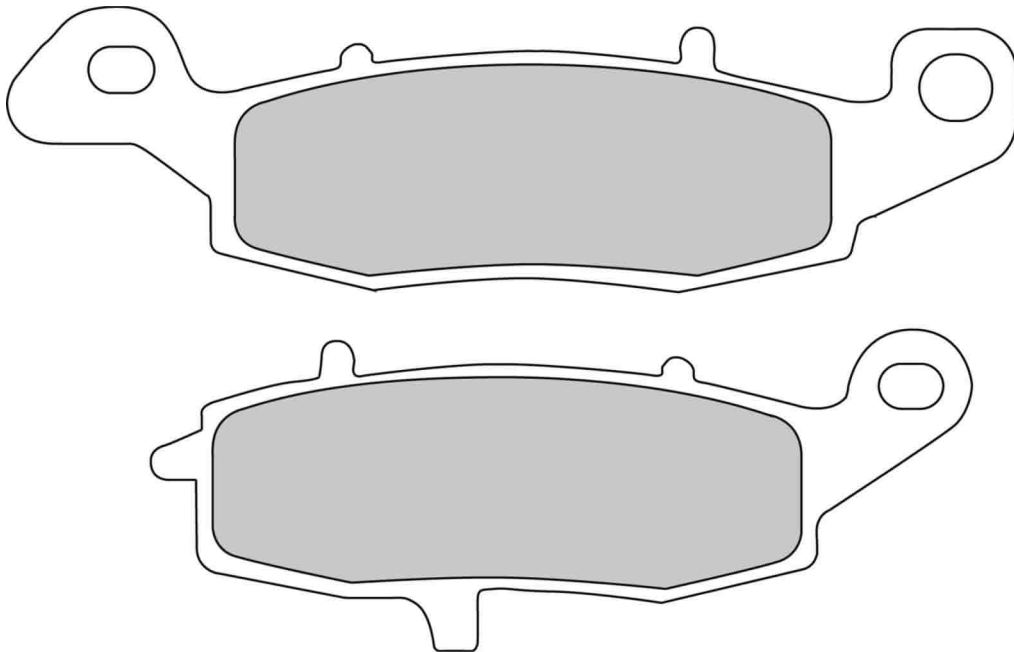
CROSS REFERENCE	
BREMBO	07BB1910
CL BRAKES	2539
EBC	FA244
GALFER	FD 176
NEWFREN	.FD.0221
SBS	706
VESRAH	VD 262



MATERIAL AVAILABILITY						
P	PRP	AG	SG	ST	CP1	XRAC
✓				✓	✓	✓

CROSS REFERENCE	
BREMBO	07KA1907
CL BRAKES	2383
EBC	FA229
EBC	FA237
GALFER	FD 174
LUCAS	MCB682
NEWFREN	.FD.0228
SBS	705
VESRAH	VD 352

EQUIVALENT OE #	
OEM Kawasaki	43082 0050
OEM Kawasaki	43082 0051
OEM Kawasaki	43082 1234
OEM Kawasaki	43082 0009
OEM Kawasaki	43082 1223
OEM Kawasaki	43082 0061
OEM Kawasaki	43082 1187
OEM Kawasaki	43082 1177
OEM Suzuki	59302 33810
OEM Suzuki	59301 33820
OEM Suzuki	59301 33830
OEM Suzuki	59302 33830
OEM Suzuki	59302 33880
OEM Suzuki	59302 33890



MATERIAL AVAILABILITY						
P	PRP	AG	SG	ST	CP1	XRAC
✓				✓	✓	✓

EQUIVALENT OE #	
OEM Kawasaki	43082 1264
OEM Kawasaki	43082 0010
OEM Kawasaki	43082 0105
OEM Kawasaki	43082 1260
OEM Kawasaki	43082 1232
OEM Kawasaki	43082 1235
OEM Kawasaki	43082 1248
OEM Kawasaki	43082 1237
OEM Kawasaki	43082 1178
OEM Kawasaki	43082 1226
OEM Kawasaki	43082 0062
OEM Kawasaki	43082 0052
OEM Suzuki	59100 33870
OEM Suzuki	59100 33850
OEM Suzuki	59101 33880
OEM Suzuki	59101 33830
OEM Suzuki	59100 33880
OEM Suzuki	59102 33810
OEM Suzuki	59102 33860
OEM Suzuki	59101 33820
OEM Suzuki	69100 01870

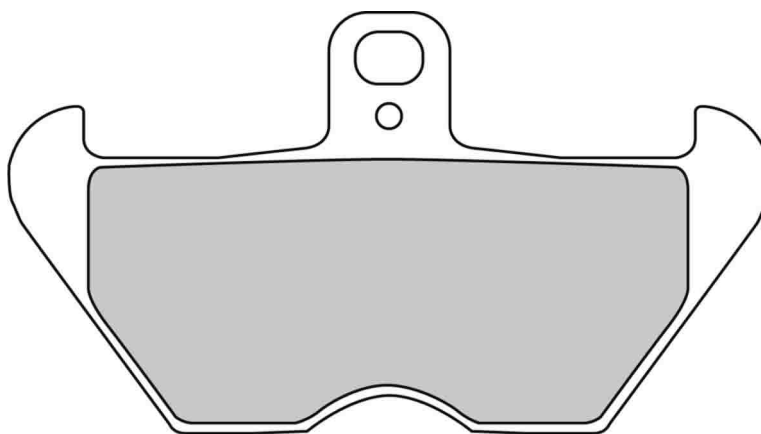
CROSS REFERENCE	
BREMBO	07KA1807
CL BRAKES	2384
EBC	FA231
EBC	FA259
GALFER	FD 179
LUCAS	MCB681
NEWFREN	.FD.0227
SBS	704
VESRAH	VD 435

FDB2050

100.0 x 55.8 x 8.4 mm

BMW

FRONT



MATERIAL AVAILABILITY						
P	PRP	AG	SG	ST	CP1	XRAC
✓				✓		

EQUIVALENT OE #	
OEM BMW	34 11 231 4996
OEM BMW	34 11 7 655 687
OEM BMW	34 11 2 331 173
OEM BMW	34 11 2 333 045
OEM BMW	34 11 2 314 512

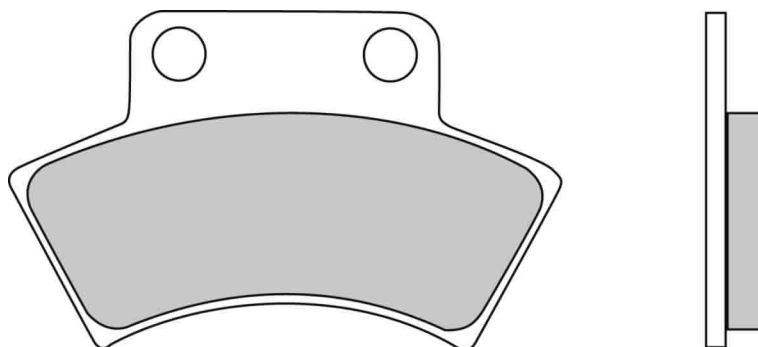
CROSS REFERENCE	
BREMBO	07BM2207
BREMBO	07BM2407
CL BRAKES	2303
CL BRAKES	2430
EBC	FA170
EBC	FA246
EBC	FA407
GALFER	FD 131
GALFER	FD 198
NEWFREN	.FD.0237
SBS	644
SBS	703
VESRAH	VD 941
VESRAH	VD 959

FDB2054

73.5 x 43.5 x 7.2 mm

POLARIS ATV

REAR



MATERIAL AVAILABILITY						
P	PRP	AG	SG	ST	CP1	XRAC
			✓			

EQUIVALENT OE #	
OEM Polaris	2200456

CROSS REFERENCE	
BREMBO	07PO03SD
CL BRAKES	2924
EBC	FA232
GALFER	FD 300
LUCAS	MCB668
NEWFREN	.FD.0279
SBS	717
VESRAH	VD 950

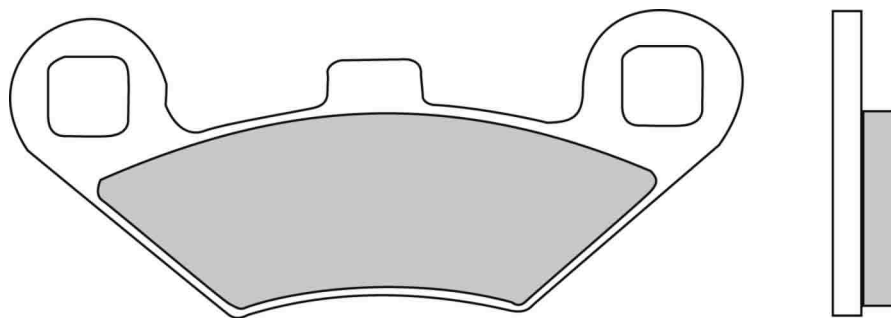
5094

FDB2055

97.0 x 39.5 x 6.9 mm

POLARIS ATV

FRONT / REAR



MATERIAL AVAILABILITY						
P	PRP	AG	SG	ST	CP1	XRAC
			✓			

EQUIVALENT OE #	
OEM Polaris	2202412

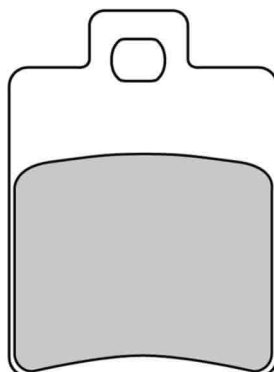
CROSS REFERENCE	
BREMBO	07P002SD
CL BRAKES	2927
EBC	FA159
GALFER	FD 303
LUCAS	MCB761
NEWFREN	.FD.0280
SBS	642
SBS	716
VESRAH	VD 940

FDB2056

35.8 x 49.1 x 7.0 mm

PIAGGIO

FRONT



MATERIAL AVAILABILITY						
P	PRP	AG	SG	ST	CP1	XRAC
		✓				

EQUIVALENT OE #	
OEM Piaggio	1494096

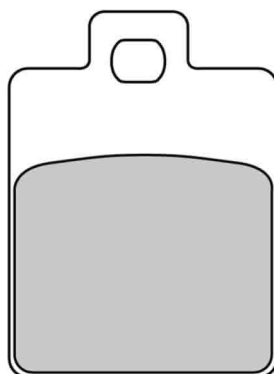
CROSS REFERENCE	
BREMBO	7019
CL BRAKES	3043
EBC	FA260
EBC	SFA260
NEWFREN	.FD.0247
SBS	724

FDB2057

35.8 x 49.1 x 7.0 mm

CPI, GILERA, PIAGGIO

FRONT / REAR



MATERIAL AVAILABILITY						
P	PRP	AG	SG	ST	CP1	XRAC
		✓				

EQUIVALENT OE #	
OEM Gilera	494097
OEM Gilera	647170
OEM Piaggio	1494097
OEM Piaggio	CM076101
OEM Piaggio	647157
OEM Piaggio	647073
OEM Piaggio	CM076701
OEM Piaggio	647157

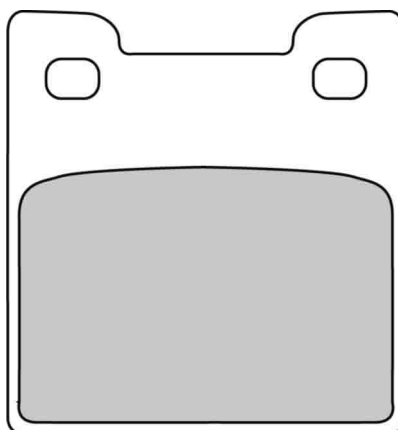
CROSS REFERENCE	
BREMBO	7019
CL BRAKES	3044
EBC	FA260
EBC	SFA260
GALFER	FD 200
NEWFREN	.FD.0249
SBS	724

FDB2058

52.7 x 56.4 x 8.6 mm

SUZUKI

REAR



MATERIAL AVAILABILITY						
P	PRP	AG	SG	ST	CP1	XRAC
✓						

EQUIVALENT OE #	
OEM Suzuki	69100 31830

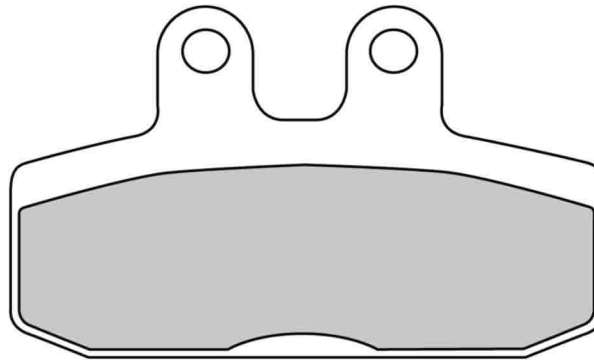
CROSS REFERENCE	
BREMBO	07SU2007
CL BRAKES	2390
EBC	FA222
GALFER	FD 189
NEWFREN	.FD.0217
SBS	701
VESRAH	VD 350

FDB2060

78.7 x 47.0 x 7.4 mm

APRILIA, HONDA

FRONT / REAR



MATERIAL AVAILABILITY						
P	PRP	AG	SG	ST	CP1	XRAC
✓		✓				

EQUIVALENT OE #	
OEM Aprilia	8133798
OEM Honda	06455 GAV 405
OEM Honda	06455 KBS W00
OEM Honda	45105 KBS 405

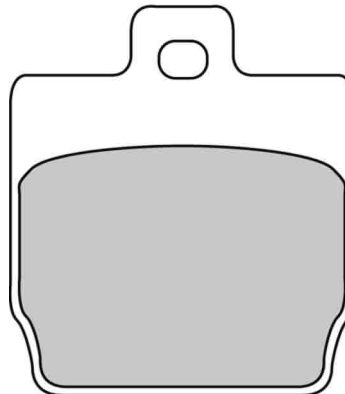
CROSS REFERENCE	
BREMBO	07GR0307
CL BRAKES	3020
EBC	FA256
GALFER	FD 195
NEWFREN	.FD.0238
SBS	696
VESRAH	VD 152

FDB2062

45.7 x 52.6 x 6.4 mm

CPI, MBK, YAMAHA

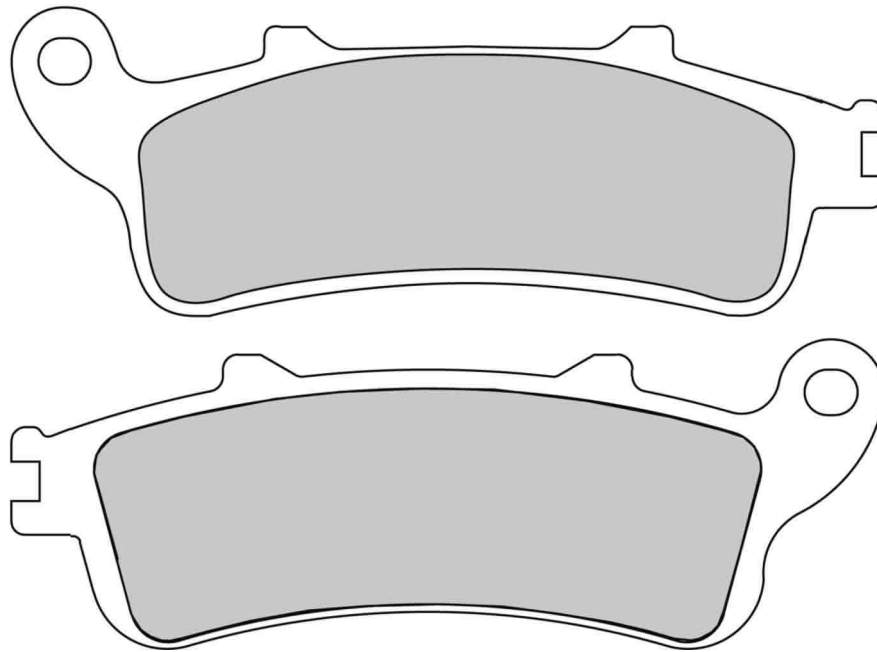
FRONT / REAR



MATERIAL AVAILABILITY						
P	PRP	AG	SG	ST	CP1	XRAC
		✓				

EQUIVALENT OE #	
OEM Yamaha	5BR F5811 00

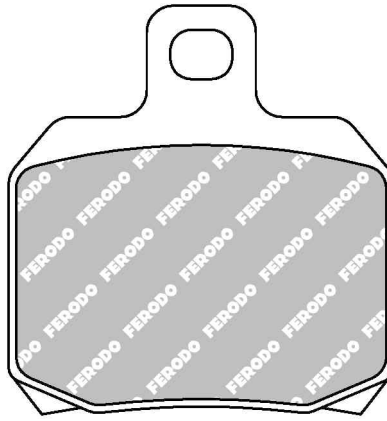
CROSS REFERENCE	
BREMBO	07BB0810
CL BRAKES	3027
EBC	FA268
EBC	SFA268
GALFER	FD 206
NEWFREN	.FD.0251
SBS	731



MATERIAL AVAILABILITY						
P	PRP	AG	SG	ST	CP1	XRAC
✓				✓		

EQUIVALENT OE #	
OEM Honda	06455 KPB 406
OEM Honda	06455 KPB 416
OEM Honda	06435 MCC 006
OEM Honda	06455 MAT 006
OEM Honda	06455 KFG 016
OEM Honda	06455 KFG 631
OEM Honda	06455 MAT 006

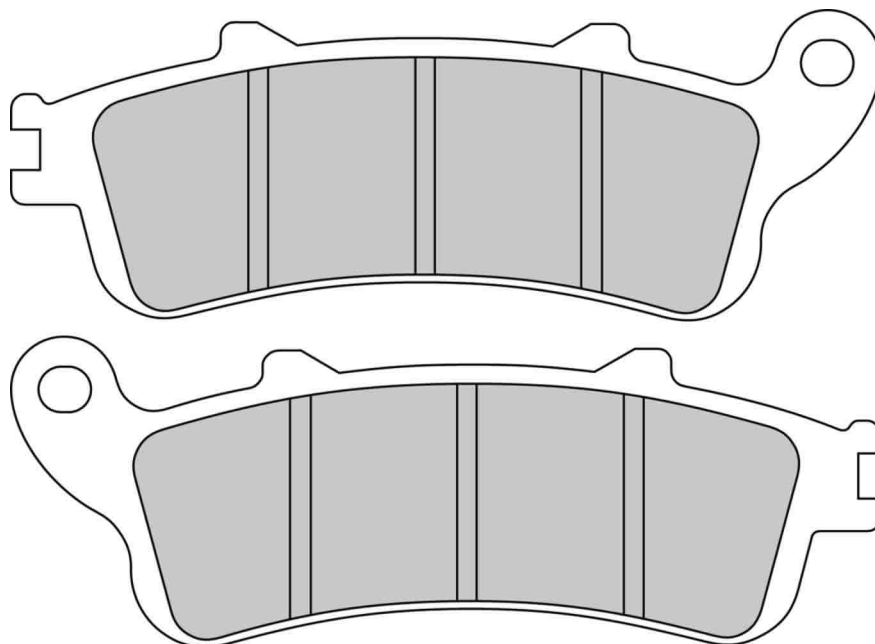
CROSS REFERENCE	
BREMBO	07HO4206
CL BRAKES	2602
CL BRAKES	3026
EBC	FA261
GALFER	FD 205
LUCAS	MCB704
NEWFREN	.FD.0253
SBS	721
SBS	735
SBS	736
VESRAH	VD 165/2



MATERIAL AVAILABILITY						
P	PRP	AG	SG	ST	CP1	XRAC
✓		✓		✓		

EQUIVALENT OE #	
OEM Aprilia	8133920
OEM Aprilia	00H04704141
OEM Aprilia	8113898
OEM Aprilia	8113751
OEM Benelli	R44422001A
OEM Benelli	R310000127000
OEM Cagiva	8000 95280
OEM Ducati	61340731A
OEM Ducati	61340381A
OEM Ducati	61340211A
OEM KTM	69013090000
OEM Moto Guzzi	31654681
OEM Moto Guzzi	316546810
OEM Moto Guzzi	31654681
OEM Piaggio	647077
OEM Piaggio	647076
OEM Piaggio	497394
OEM Yamaha	5NR F5811 00

CROSS REFERENCE	
BREMBO	07BB2010
BREMBO	7004
CL BRAKES	2827
EBC	FA266
GALFER	FD 220
NEWFREN	.FD.0256
SBS	157
SBS	730

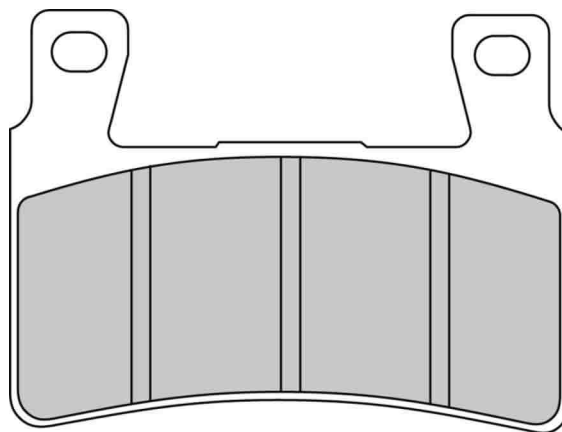


ALSO AVAILABLE		
SHAPE	TH. MM	NOTES
FDB2098	8.3	

MATERIAL AVAILABILITY						
P	PRP	AG	SG	ST	CP1	XRAC
✓				✓		

EQUIVALENT OE #	
OEM Honda	06455 KFG 641
OEM Honda	06455 KFG 642
OEM Honda	06455 MCT 691
OEM Honda	06455 MCT 692
OEM Honda	06435 MAT 006
OEM Honda	06435 MAT 016
OEM Honda	43105 MT3 007

CROSS REFERENCE	
BREMBO	7034
CL BRAKES	2602
EBC	FA281
EBC	SFA281
GALFER	FD 207
NEWFREN	.FD.0255
SBS	722
VESRAH	VD 165



ALSO AVAILABLE		
SHAPE	TH. MM	NOTES
FDB2114	7.1	

MATERIAL AVAILABILITY						
P	PRP	AG	SG	ST	CP1	XRAC
✓				✓	✓	✓

EQUIVALENT OE #	
OEM Harley	42739 08
OEM Honda	06455 MCF 006
OEM Honda	06455 MCF 016
OEM Honda	06435 MEJ 006
OEM Honda	06435 MEJ 016
OEM Honda	06455 MBW 006
OEM Honda	06455 MBW E11
OEM Honda	06455 MBW E12
OEM Honda	06455 MAS E01

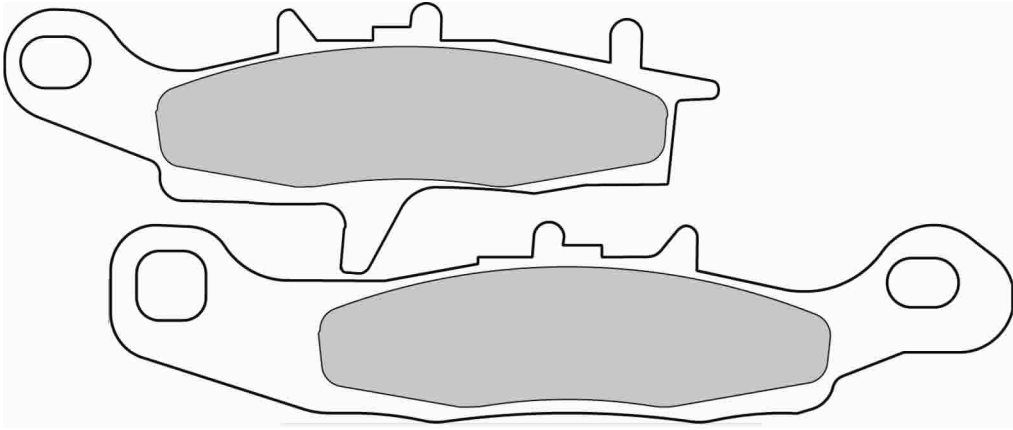
CROSS REFERENCE	
BREMBO	07HO4507
CL BRAKES	2711
EBC	FA265
GALFER	FD 219
LUCAS	MCB73
NEWFREN	.FD.0300
SBS	860
VESRAH	VD 166/2

FDB2080

94.5 x 35.8 x 7.3 mm / 119.7 x 26.6 x 6.8 mm

KAWASAKI, KAWASAKI ATV, SUZUKI

FRONT



MATERIAL AVAILABILITY						
P	PRP	AG	SG	ST	CP1	XRAC
			✓			

EQUIVALENT OE #	
OEM Kawasaki	43082 1196
OEM Suzuki	59301 03820

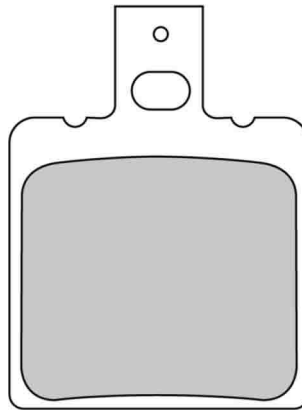
CROSS REFERENCE	
BREMBO	07KA22SD
CL BRAKES	2750
EBC	FA258
GALFER	FD 204
GALFER	FD 321
LUCAS	MCB697SI
NEWFREN	.FD.0262
SBS	726
SBS	798
VESRAH	VD 438

FDB2081

39.8 x 56.5 x 8.0 mm

APRILIA, BENELLI, BETA, MALAGUTI

FRONT / REAR



MATERIAL AVAILABILITY						
P	PRP	AG	SG	ST	CP1	XRAC
		✓				

EQUIVALENT OE #	
OEM Aprilia	8113662

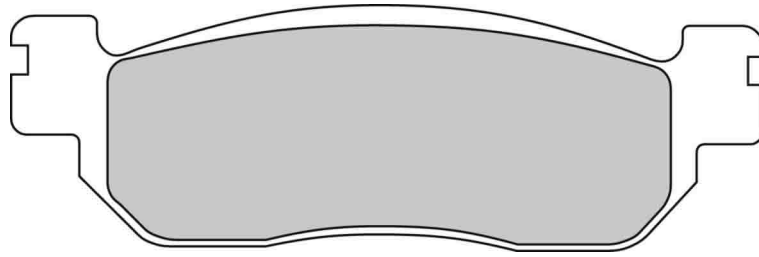
CROSS REFERENCE	
BREMBO	07BB1810
CL BRAKES	2249
EBC	FA047/3
GALFER	FD 232
NEWFREN	.FD.0263
SBS	646
SBS	744
VESRAH	VD 911/2

FDB2083

99.8 x 31.0 x 9.0 mm

ITALJET, LINHAI, MBK, YAMAHA

FRONT / REAR



MATERIAL AVAILABILITY						
P	PRP	AG	SG	ST	CP1	XRAC
✓		✓		✓		

EQUIVALENT OE #	
OEM Yamaha	5LB W0045 00
OEM Yamaha	5PW W0046 50
OEM Yamaha	5EK W0045 00
OEM Yamaha	5EB W0046 00
OEM Yamaha	5CG W0046 02

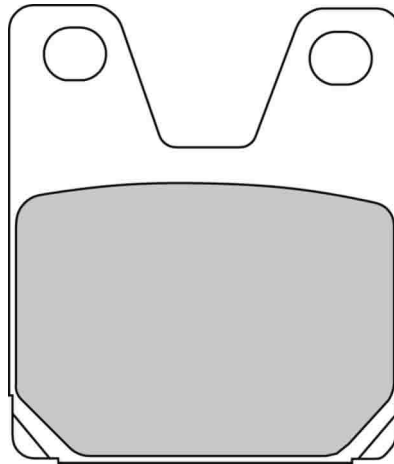
CROSS REFERENCE	
BREMBO	7043
CL BRAKES	2828
CL BRAKES	3033
EBC	FA275
GALFER	FD 214
NEWFREN	.FD.0259
SBS	155
SBS	728
VESRAH	VD 263

FDB2084

51.9 x 59.8 x 8.6 mm

YAMAHA

REAR



MATERIAL AVAILABILITY						
P	PRP	AG	SG	ST	CP1	XRAC
✓				✓		

EQUIVALENT OE #	
OEM Yamaha	4SV W0045 50
OEM Yamaha	5FL W0046 50
OEM Yamaha	4X VW0046 10

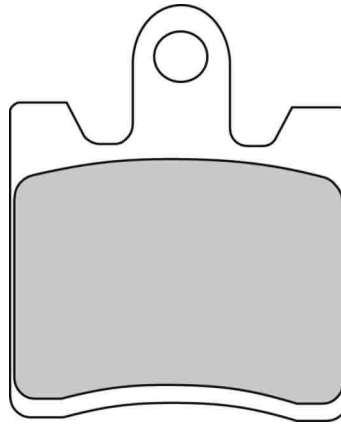
CROSS REFERENCE	
BREMBO	07YA3807
CL BRAKES	2713
EBC	FA267
GALFER	FD 218
LUCAS	MCB72LF
NEWFREN	.FD.0261
SBS	733
VESRAH	VD 264

FDB2085

44.8 x 53.5 x 8.6 mm

SUZUKI, SYM, YAMAHA
Set of 4 Pads

FRONT



MATERIAL AVAILABILITY						
P	PRP	AG	SG	ST	CP1	XRAC
✓		✓		✓		

EQUIVALENT OE #	
OEM Suzuki	59300 14870
OEM Suzuki	59300 14880
OEM Yamaha	3P6 W0045 00

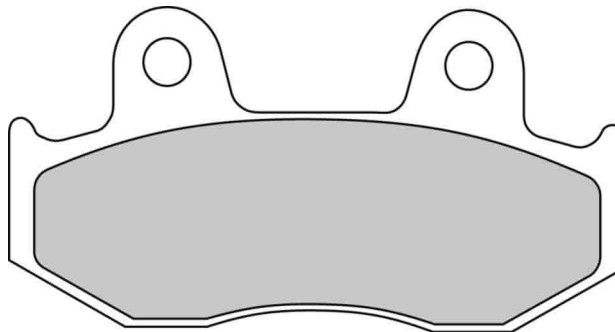
CROSS REFERENCE	
BREMBO	7037
CL BRAKES	1175
CL BRAKES	3049
EBC	FA283
EBC	SFA283
GALFER	FD 222
NEWFREN	.FD.0264
SBS	146
SBS	740
VESRAH	VD 353

FDB2086

81.4 x 42.2 x 8.3 mm

SUZUKI

REAR



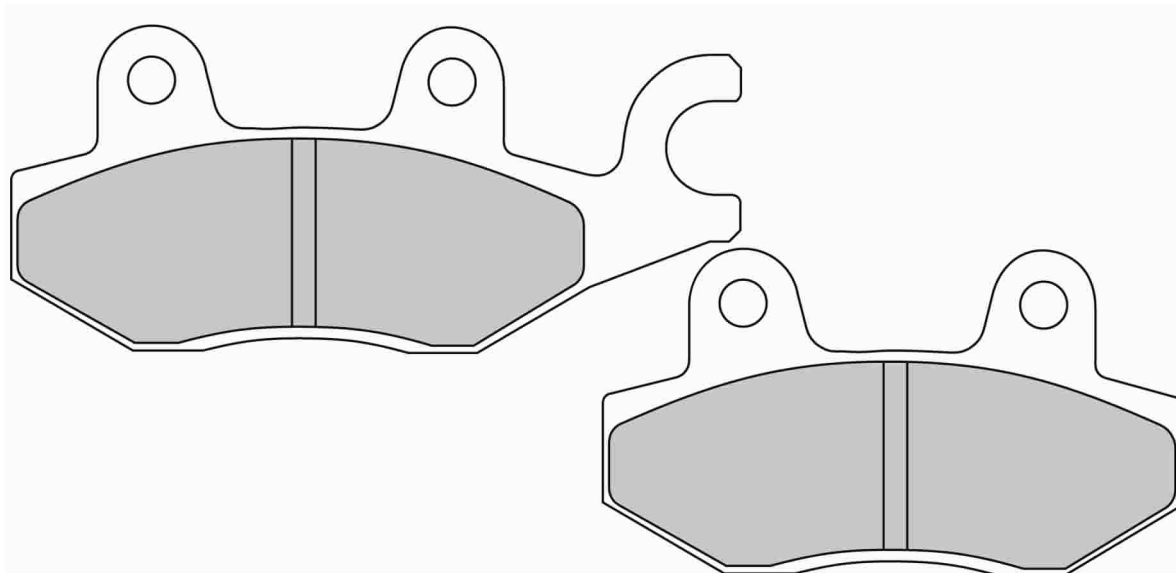
ALSO AVAILABLE		
SHAPE	TH. MM	NOTES
FDB2119	9.0	
FDB382	7.5	

MATERIAL AVAILABILITY						
P	PRP	AG	SG	ST	CP1	XRAC
✓						

EQUIVALENT OE #	
OEM Suzuki	69600 14840
OEM Suzuki	69100 14840
OEM Suzuki	69100 14850

CROSS REFERENCE	
BREMBO	7038
EBC	FA323/3
EBC	SFA323/3
NEWFREN	.FD.0265
SBS	781
VESRAH	VD 134
VESRAH	VD 136

5104



MATERIAL AVAILABILITY						
P	PRP	AG	SG	ST	CP1	XRAC
		✔				

EQUIVALENT OE #	
OEM Honda	06455 KW6 843
OEM Honda	06455 KW6 844
OEM Kawasaki	43082 1238
OEM Kawasaki	43082 0095
OEM Kymco	45105 KECE 305
OEM Kymco	45200 KHC4 900NJA
OEM Kymco	43105 LDH1 E00
OEM Kymco	45200 KKD6 E90NJA
OEM Kymco	45150 LLB5 305
OEM Kymco	43150 LEA5 306
OEM Kymco	45105 KCE3 050M2

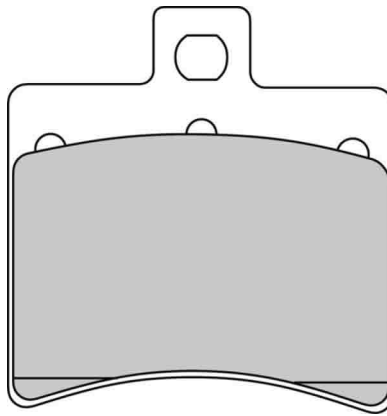
CROSS REFERENCE	
BREMBO	7033
EBC	FA197
GALFER	FD 145
GALFER	FD 187
NEWFREN	.FD.0257
SBS	119
SBS	638
VESRAH	VD 250/2

FDB2090

51.1 x 53.5 x 9.5 mm

APRILIA, BENELLI, BETA, MALAGUTI, TGB

FRONT / REAR



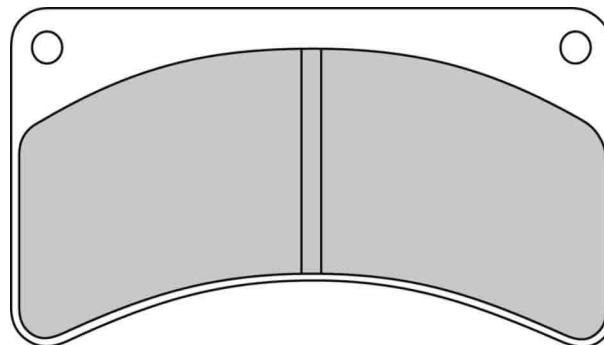
MATERIAL AVAILABILITY						
P	PRP	AG	SG	ST	CP1	XRAC
✓		✓				

EQUIVALENT OE #	
OEM Aprilia	8213577
OEM Aprilia	8113869
OEM Aprilia	8133539
OEM Aprilia	8213506
OEM Aprilia	8133946
OEM Aprilia	8133726
OEM Aprilia	8133845

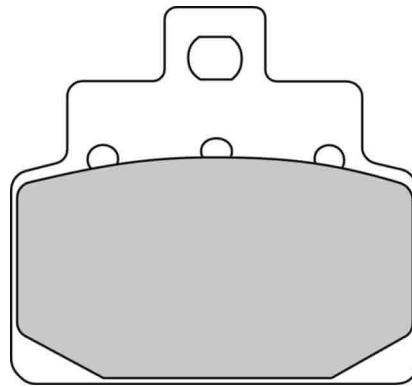
CROSS REFERENCE	
BREMBO	7020
EBC	FA298
GALFER	FD 228
NEWFREN	.FD.0267
SBS	747

FDB2091

79.7 x 43.9 x 10.3 mm



MATERIAL AVAILABILITY						
P	PRP	AG	SG	ST	CP1	XRAC
✓						



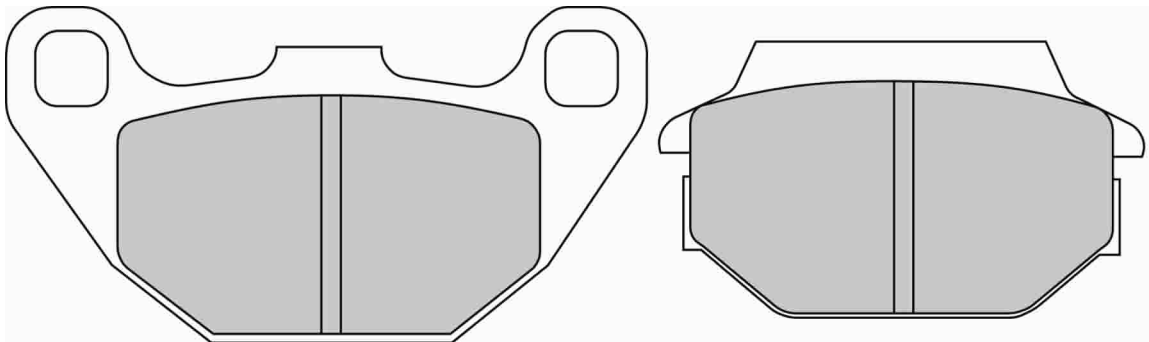
MATERIAL AVAILABILITY						
P	PRP	AG	SG	ST	CP1	XRAC
		✓				

EQUIVALENT OE #	
OEM Aprilia	8213460
OEM Aprilia	8213462
OEM Aprilia	8213460

CROSS REFERENCE	
BREMBO	7021
EBC	FA301
EBC	SFA301
GALFER	FD 234
NEWFREN	.FD.0271
SBS	748

FDB2096

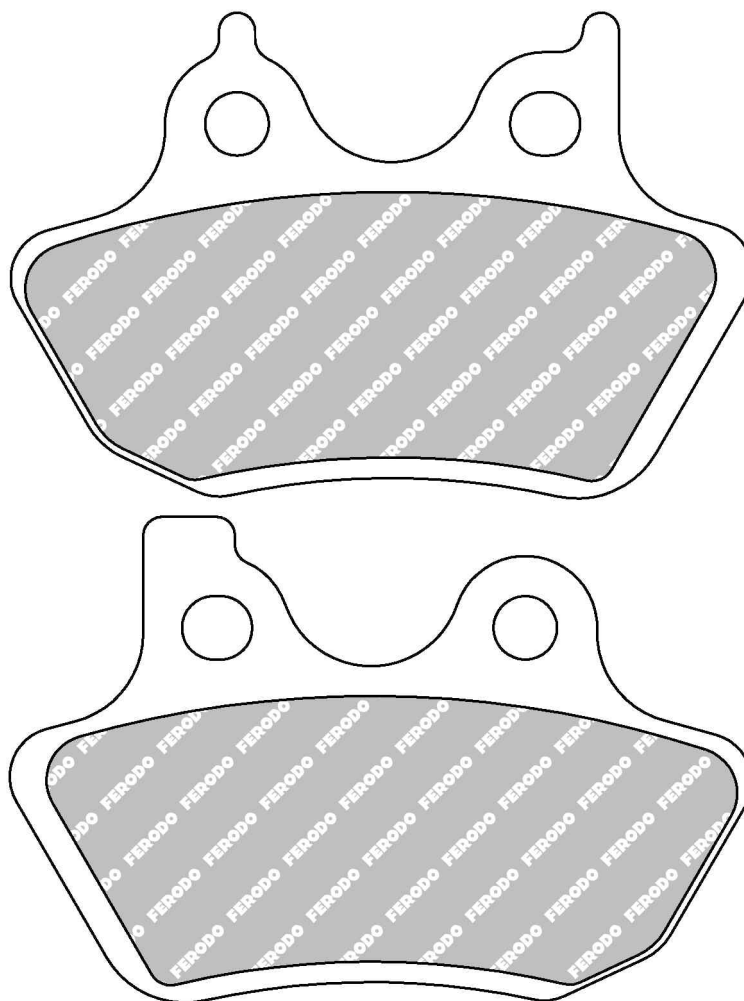
85.0 x 43.0 x 8.5 mm / 64.0 x 36.8 x 10.9 mm



MATERIAL AVAILABILITY						
P	PRP	AG	SG	ST	CP1	XRAC
		✓	✓			

EQUIVALENT OE #	
OEM Honda	45105 KFA6 305
OEM Kymco	45105 LEJ2 305
OEM Kymco	45105 H7C 000A
OEM Piaggio	647171

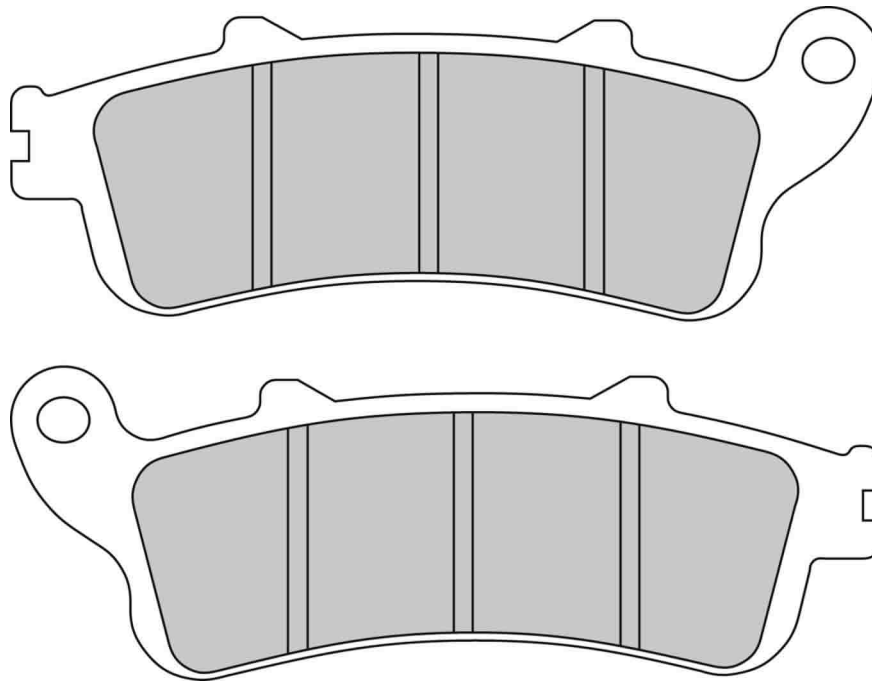
CROSS REFERENCE	
BREMBO	7022
CL BRAKES	1153
EBC	FA305
GALFER	FD 261
NEWFREN	.FD.0269
SBS	154
SBS	749



MATERIAL AVAILABILITY						
P	PRP	AG	SG	ST	CP1	XRAC
✓	✓			✓		

EQUIVALENT OE #	
OEM Harley	44082 00

CROSS REFERENCE	
BREMBO	07HD1210
CL BRAKES	2958
EBC	FA299
EBC	FA400
GALFER	FD 235
LUCAS	MCB711
NEWFREN	.FD.0290
SBS	750



ALSO AVAILABLE		
SHAPE	TH. MM	NOTES
FDB2075	9.4	

MATERIAL AVAILABILITY						
P	PRP	AG	SG	ST	CP1	XRAC
✓				✓		

EQUIVALENT OE #	
OEM Honda	06455 MEA 671
OEM Honda	06455 MEA 672
OEM Honda	06455MFAD12
OEM Honda	06456 MCC 006
OEM Honda	06435 MBL D00
OEM Honda	06435 MBL D01
OEM Honda	06435 MBL D02
OEM Honda	06455 MBG 006
OEM Honda	06435 MAT 006
OEM Honda	06435 MAT 016
OEM Honda	06455 MBT 611
OEM Honda	06455 MBT 612
OEM Honda	06456 MCA 006
OEM Honda	06456 MCA 006
OEM Honda	06456 MCA 016
OEM Honda	06435 MCA 006
OEM Honda	06455 MAT E21
OEM Honda	06455 MAT E22
OEM Honda	06435 MCH 006

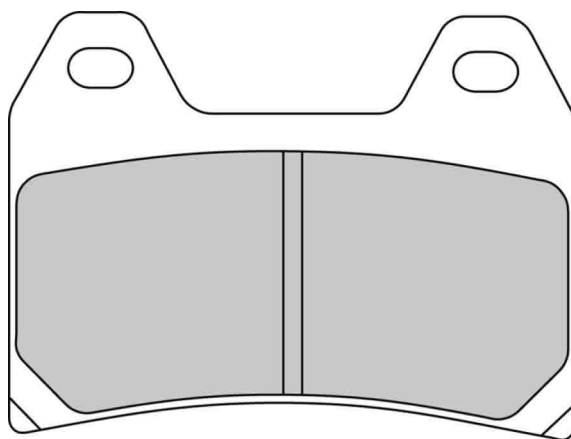
CROSS REFERENCE	
BREMBO	07HO4206
CL BRAKES	2602
EBC	FA261
GALFER	FD 205
NEWFREN	.FD.0254
SBS	721
SBS	722
VESRAH	VD 165/2

FDB2099

75.2 x 55.2 x 7.6 mm

APRILIA, HONDA, HUSQVARNA

FRONT



MATERIAL AVAILABILITY						
P	PRP	AG	SG	ST	CP1	XRAC
✓						

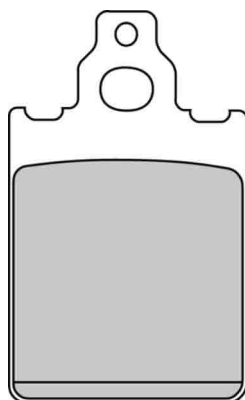
CROSS REFERENCE	
CL BRAKES	2539
EBC	FA244
NEWFREN	.FD.0273
SBS	727
VESRAH	VD 262/2

FDB2100

31.7 x 51.1 x 6.0 mm

PIAGGIO

FRONT



MATERIAL AVAILABILITY						
P	PRP	AG	SG	ST	CP1	XRAC
		✓				

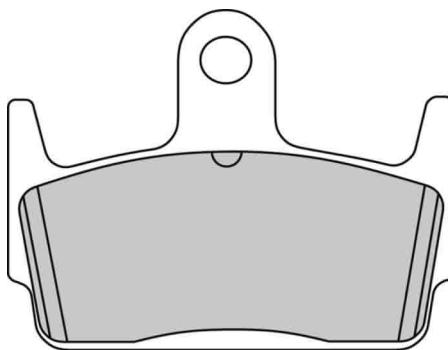
CROSS REFERENCE	
BREMBO	07GR2004
CL BRAKES	2260
CL BRAKES	3005
GALFER	FD 152
NEWFREN	.FD.0266
SBS	680
VESRAH	VD 949

FDB2101

59.1 x 44.6 x 9.6 mm

HONDA, KYMCO

REAR



MATERIAL AVAILABILITY						
P	PRP	AG	SG	ST	CP1	XRAC
		✓				

EQUIVALENT OE #	
OEM Honda	06435 GCM 902
OEM Sym	45105 TFA 000A

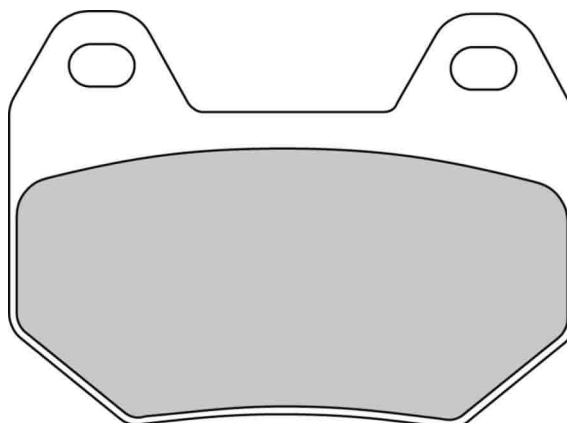
CROSS REFERENCE	
BREMBO	7016
CL BRAKES	3041
EBC	FA234
EBC	SFA234
GALFER	FD 166
NEWFREN	.FD.0224
SBS	710

FDB2102

74.9 x 54.5 x 9.0 mm

BMW

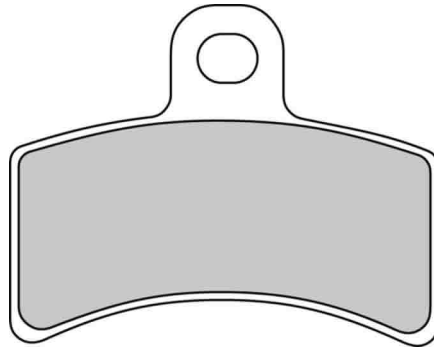
REAR



MATERIAL AVAILABILITY						
P	PRP	AG	SG	ST	CP1	XRAC
✓				✓		

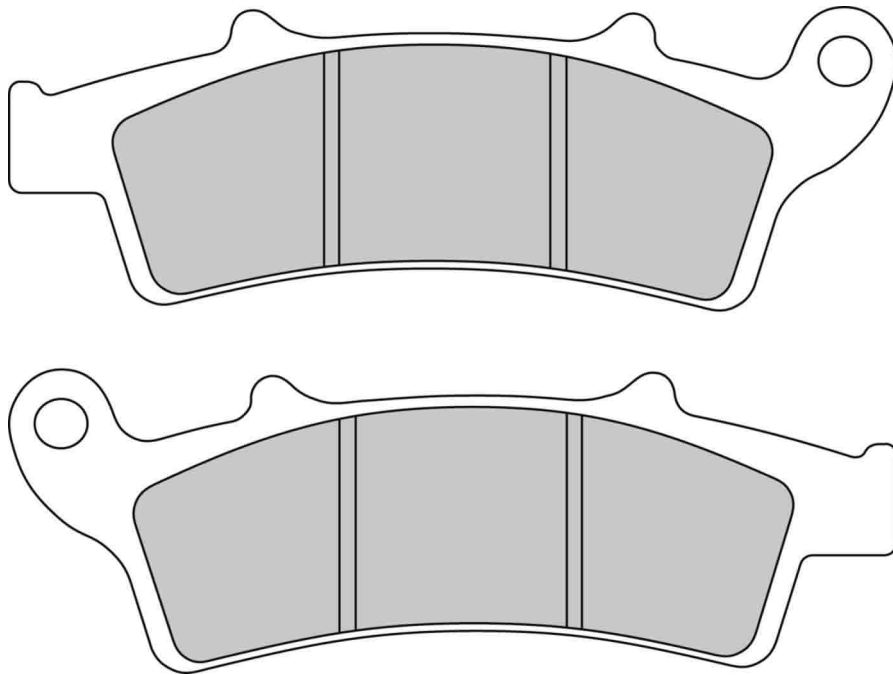
EQUIVALENT OE #	
OEM BMW	34 21 2 333 337
OEM BMW	34 21 7 680 375
OEM BMW	34 21 7 657 492

CROSS REFERENCE	
BREMBO	07BB2507
CL BRAKES	2987
EBC	FA304
GALFER	FD 251
LUCAS	MCB713LF
NEWFREN	.FD.0277
SBS	746



MATERIAL AVAILABILITY						
P	PRP	AG	SG	ST	CP1	XRAC
✓						

CROSS REFERENCE	
BREMBO	07GR5105
EBC	FA291
GALFER	FD 225
LUCAS	MCB770
NEWFREN	.FD.0268
SBS	815



MATERIAL AVAILABILITY						
P	PRP	AG	SG	ST	CP1	XRAC
		✔				

EQUIVALENT OE #	
OEM Aprilia	8133815
OEM Aprilia	8133761
OEM Aprilia	8133603

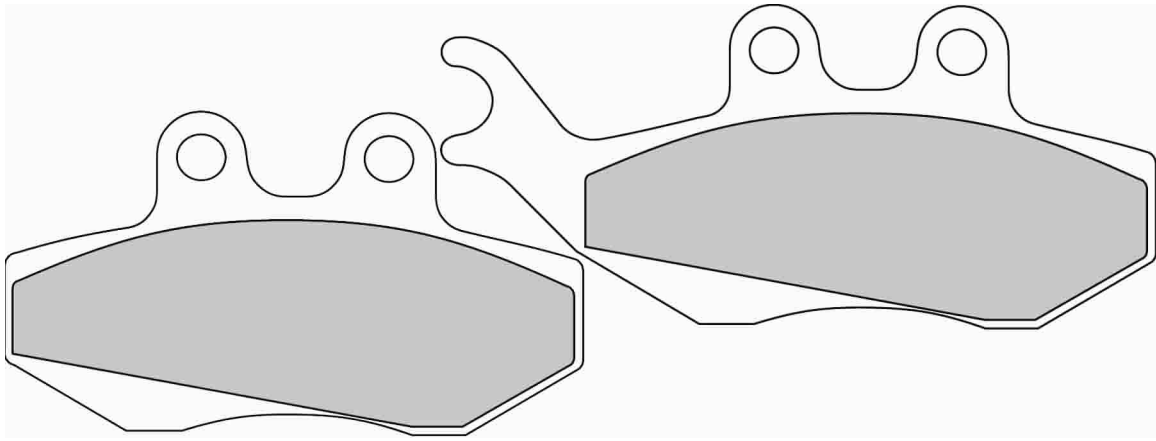
CROSS REFERENCE	
BREMBO	7045
CL BRAKES	3056
EBC	FA324
EBC	SFA324
GALFER	FD 245
NEWFREN	.FD.0282
SBS	761
VESRAH	VD 9017

FDB2106

94.6 x 42.0 x 7.6 mm / 77.1 x 42.1 x 7.6 mm

CPI, DERBI, MALAGUTI, SHERCO, YAMAHA

FRONT



ALSO AVAILABLE		
SHAPE	TH. MM	NOTES
FDB677	7.5	

MATERIAL AVAILABILITY						
P	PRP	AG	SG	ST	CP1	XRAC
		✓				

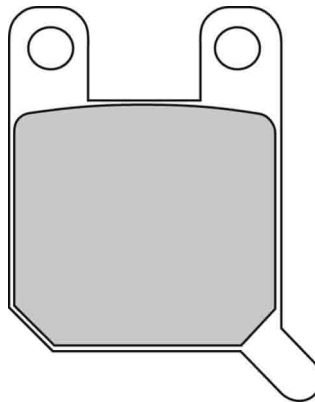
CROSS REFERENCE	
BREMBO	7012
CL BRAKES	1146
EBC	FA194
NEWFREN	.FD.0281
SBS	774

FDB2107

41.3 x 51.5 x 6.0 mm

ALFER, APRILIA, BETA, BULTACO, CPI, DERBI, FANTIC, FB MINARELLI, GASGAS, MONTESA, MONTESA (HONDA), PUCH, RIEJU, SHERCO, YAMAHA

FRONT / REAR



MATERIAL AVAILABILITY						
P	PRP	AG	SG	ST	CP1	XRAC
✓						

EQUIVALENT OE #	
OEM Derbi	00D01 210221

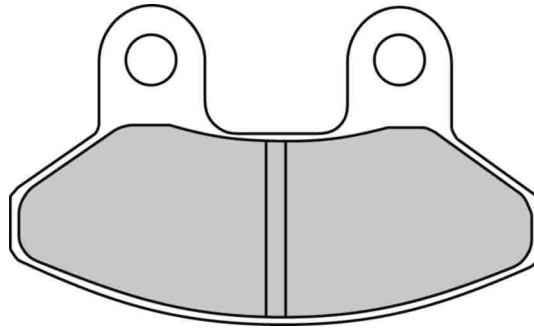
CROSS REFERENCE	
BREMBO	07BB1205
CL BRAKES	2377
GALFER	FD 065
LUCAS	MCB535
NEWFREN	.FD.0142
SBS	559
VESRAH	VD 254
VESRAH	VD 925

FDB2108

70.2 x 41.8 x 8.1 mm

LAVERDA, SYM

FRONT



MATERIAL AVAILABILITY						
P	PRP	AG	SG	ST	CP1	XRAC
		✓				

EQUIVALENT OE #	
OEM Sym	45105 H3A 900A
OEM Sym	45105 H3A 000A

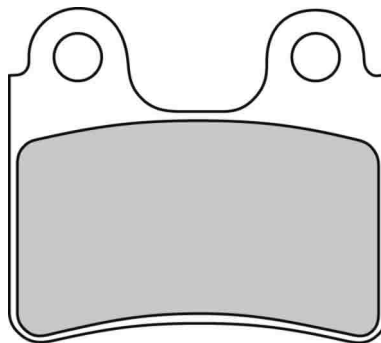
CROSS REFERENCE	
BREMBO	7062
EBC	FA306
EBC	SFA306
NEWFREN	.FD.0293
SBS	178
SBS	792

FDB2109

50.1 x 43.5 x 6.0 mm

BETA, GASGAS, MONTESA (HONDA), SHERCO

FRONT / REAR



MATERIAL AVAILABILITY						
P	PRP	AG	SG	ST	CP1	XRAC
✓			✓			

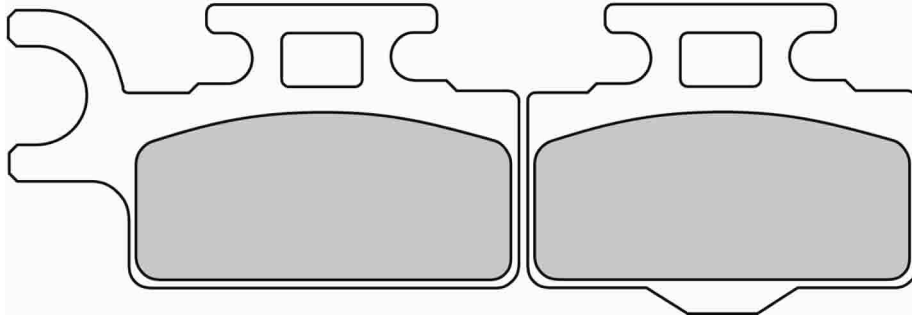
CROSS REFERENCE	
BREMBO	07GR5804
EBC	FA303
GALFER	FD 223
LUCAS	MCB766
NEWFREN	.FD.0292
SBS	802

FDB2110

67.7 x 36.5 x 7.5 mm / 51.9 x 40.0 x 7.5 mm

KAWASAKI, SUZUKI

FRONT



MATERIAL AVAILABILITY						
P	PRP	AG	SG	ST	CP1	XRAC
			✓			

EQUIVALENT OE #	
OEM Kawasaki	43082 1242
OEM Kawasaki	K43082 1242
OEM Kawasaki	K43082 0042

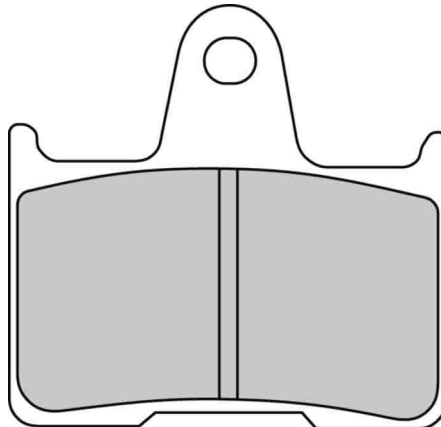
CROSS REFERENCE	
BREMBO	07KA27SD
CL BRAKES	1034
EBC	FA302
GALFER	FD 254
LUCAS	MCB714SX
NEWFREN	.FD.0295
SBS	752
VESRAH	VD 440

FDB2111

59.9 x 57.2 x 8.1 mm

HONDA, KAWASAKI, SUZUKI, YAMAHA SNOWMOBILE

REAR



MATERIAL AVAILABILITY						
P	PRP	AG	SG	ST	CP1	XRAC
✓			✓	✓		

EQUIVALENT OE #	
OEM Kawasaki	43082 0055
OEM Suzuki	69100 18810
OEM Suzuki	69100 47820
OEM Suzuki	69100 40840
OEM Suzuki	69100 40820

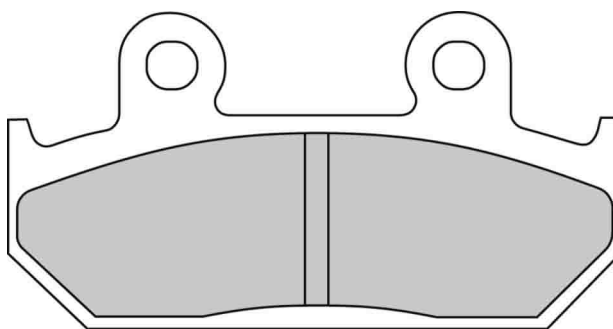
CROSS REFERENCE	
BREMBO	07KA2107
CL BRAKES	2813
EBC	FA254
GALFER	FD 267
LUCAS	MCB691LF
NEWFREN	.FD.0272
SBS	715
SBS	765
VESRAH	VD 436

FDB2113

81.2 x 42.0 x 9.5 mm

HONDA

FRONT



ALSO AVAILABLE		
SHAPE	TH. MM	NOTES
FDB462	8.0	

MATERIAL AVAILABILITY						
P	PRP	AG	SG	ST	CP1	XRAC
✓						

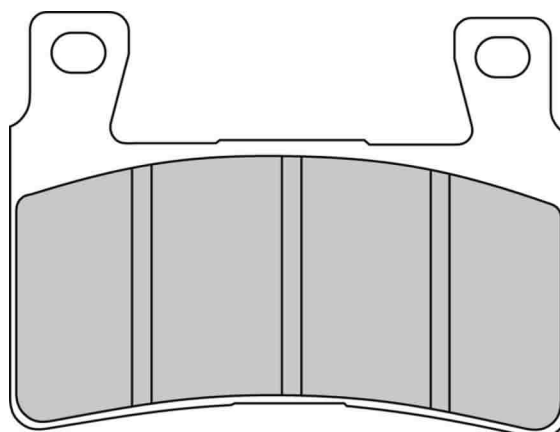
CROSS REFERENCE	
BREMBO	07HO2107
CL BRAKES	2252
EBC	FA203
GALFER	FD 096
LUCAS	MCB562
SBS	593
VESRAH	VD 142

FDB2114

74.0 x 55.1 x 7.1 mm

HARLEY DAVIDSON, HONDA

FRONT



ALSO AVAILABLE		
SHAPE	TH. MM	NOTES
FDB2079	9.0	

MATERIAL AVAILABILITY						
P	PRP	AG	SG	ST	CP1	XRAC
✓				✓		✓

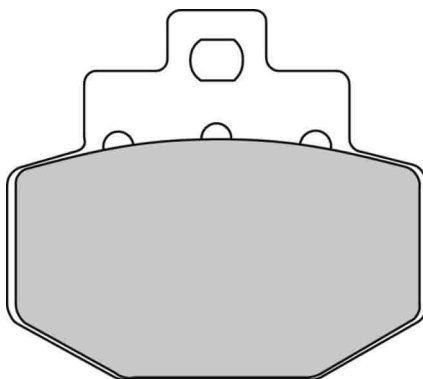
CROSS REFERENCE	
BREMBO	07HO4507
CL BRAKES	2711
EBC	FA296
EBC	FA296HH
GALFER	FD 219
LUCAS	MCB73
NEWFREN	.FD.0258
SBS	734
VESRAH	VD 166

FDB2115

55.6 x 49.1 x 7.2 mm

BENELLI, GILERA, PIAGGIO

FRONT / REAR



MATERIAL AVAILABILITY						
P	PRP	AG	SG	ST	CP1	XRAC
✓		✓				

EQUIVALENT OE #	
OEM Piaggio	497002
OEM Piaggio	647161

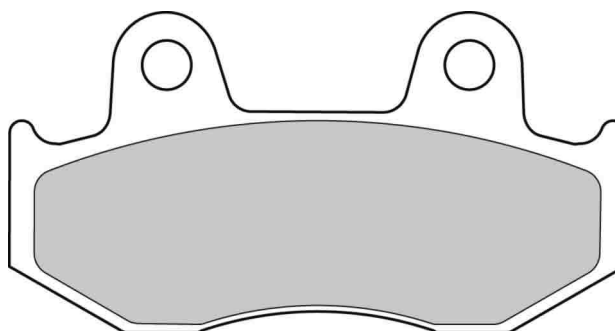
CROSS REFERENCE	
BREMBO	7047
CL BRAKES	3054
EBC	FA321
EBC	SFA321
NEWFREN	.FD.0298
SBS	772

FDB2119

81.3 x 42.1 x 9.4 mm

HONDA, YAMAHA ATV

FRONT / REAR



ALSO AVAILABLE		
SHAPE	TH. MM	NOTES
FDB2086	8.0	
FDB382	7.5	

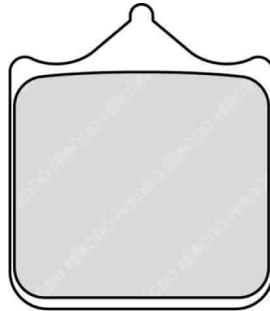
MATERIAL AVAILABILITY						
P	PRP	AG	SG	ST	CP1	XRAC
✓		✓	✓			

EQUIVALENT OE #	
OEM Honda	06455 GCS 006
OEM Honda	06455 GCS 016

CROSS REFERENCE	
BREMBO	7038
CL BRAKES	3019
EBC	FA323
GALFER	FD 284
NEWFREN	.FD.0304
SBS	781

APRILIA, BENELLI, BIMOTA, CAGIVA, DERBI, DUCATI, HUSQVARNA, KTM, LAVERDA, MOTO GUZZI, MV AGUSTA, SHERCO, TM, TRIUMPH
Set of 4 Pads

FRONT



ALSO AVAILABLE		
SHAPE	TH. MM	NOTES
FDB2215	8.5	Racing Applications

MATERIAL AVAILABILITY						
P	PRP	AG	SG	ST	CP1	XRAC
				✓		✓

EQUIVALENT OE #	
OEM Aprilia	8133886
OEM Aprilia	8113972
OEM Aprilia	8133592
OEM Benelli	R180263110000
OEM Benelli	R180400126000
OEM Cagiva	8000 A6416
OEM Cagiva	8000 A7417
OEM Ducati	61340301A
OEM KTM	61013030100
OEM KTM	61013030000
OEM KTM	61013019000

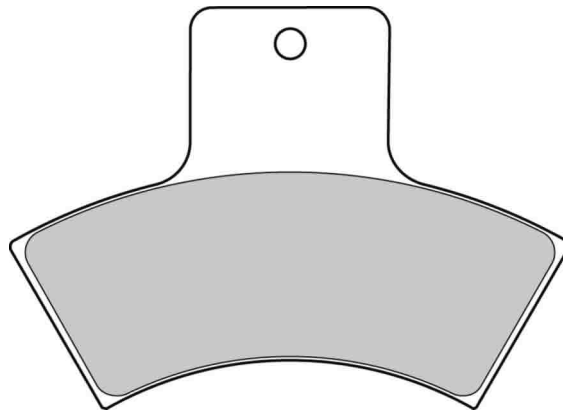
CROSS REFERENCE	
BREMBO	07BB0510
CL BRAKES	1033
EBC	FA322
EBC	FA322/4
LUCAS	MCB721
NEWFREN	.FD.0305
SBS	762

FDB2121

74.2 x 53.2 x 7.0 mm

POLARIS ATV

REAR



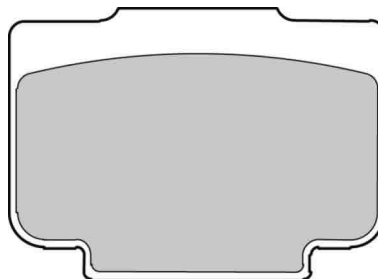
MATERIAL AVAILABILITY						
P	PRP	AG	SG	ST	CP1	XRAC
			✓			

EQUIVALENT OE #	
OEM Polaris	2201093

CROSS REFERENCE	
BREMBO	07PO04
CL BRAKES	2925
EBC	FA270
LUCAS	MCB762
NEWFREN	.FD.0294
SBS	755
VESRAH	VD 963

FDB2122

49.8 x 36.0 x 8.1 mm



MATERIAL AVAILABILITY						
P	PRP	AG	SG	ST	CP1	XRAC
✉						

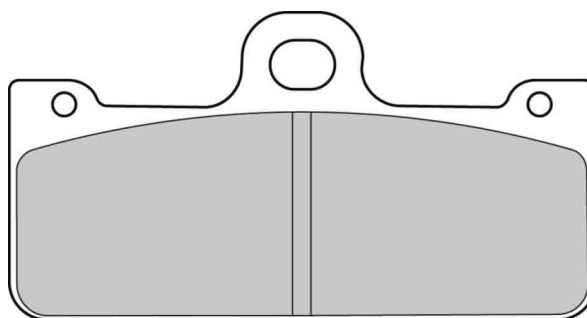
CROSS REFERENCE	
BREMBO	07.9340.10
NEWFREN	.FD.0340

FDB2123

77.8 x 40.8 x 10.0 mm

APRILIA, HUSQVARNA, MOTO GUZZI

FRONT



ALSO AVAILABLE		
SHAPE	TH. MM	NOTES
FDB2007	8.3	

CROSS REFERENCE	
CL BRAKES	2329
EBC	FA218/2
NEWFREN	.FD.0339
SBS	711

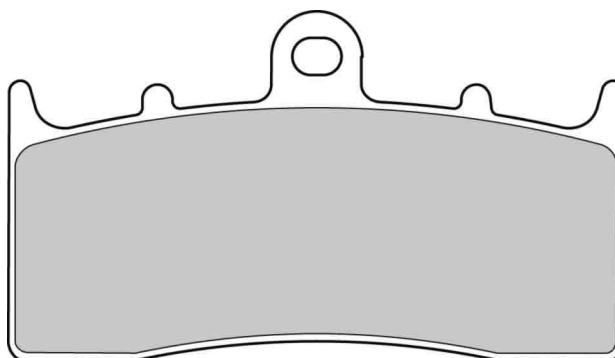
MATERIAL AVAILABILITY						
P	PRP	AG	SG	ST	CP1	XRAC
					✓	✓

FDB2124

81.7 x 46.2 x 9.0 mm

BMW, KAWASAKI

FRONT



MATERIAL AVAILABILITY						
P	PRP	AG	SG	ST	CP1	XRAC
✓				✓		

CROSS REFERENCE	
BREMBO	07GR6207
CL BRAKES	2960
EBC	FA294
EBC	FA613
GALFER	FD 272
LUCAS	MCB736
NEWFREN	.FD.0319
SBS	778
VESRAH	VD 439

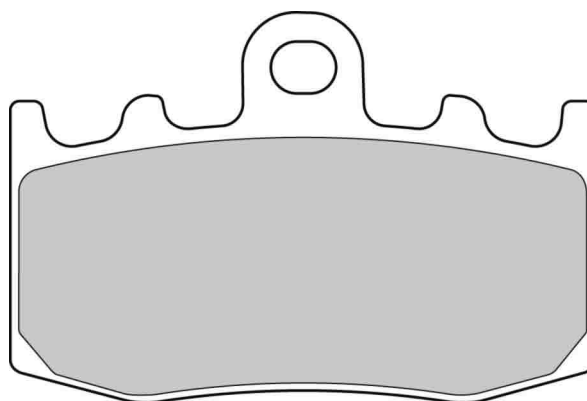
EQUIVALENT OE #	
OEM BMW	34 11 7 655 898
OEM BMW	34 11 7 658 386
OEM BMW	34 11 7 690 169
OEM BMW	34 11 7 690 170

FDB2125

77.6 x 51.8 x 8.5 mm

BMW

FRONT



MATERIAL AVAILABILITY						
P	PRP	AG	SG	ST	CP1	XRAC
✓				✓		

EQUIVALENT OE #	
OEM BMW	34 11 7 683 064
OEM BMW	34 11 7 671 780
OEM BMW	34 11 7 660 448
OEM BMW	34 11 7 690 259
OEM Kawasaki	43082 1217

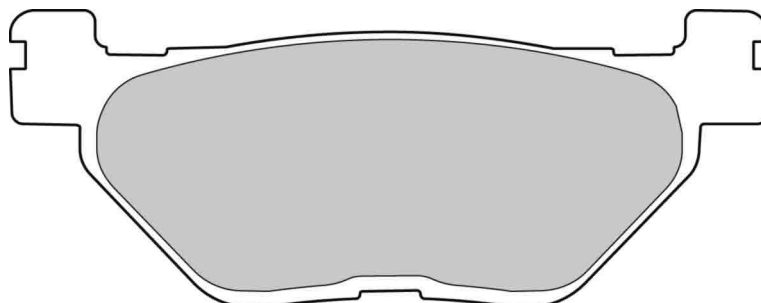
CROSS REFERENCE	
BREMBO	07BB2607
CL BRAKES	1101
EBC	FA335
GALFER	FD 271
LUCAS	MCB748
NEWFREN	.FD.0320
SBS	796

FDB2126

100.3 x 39.3 x 12.0 mm

YAMAHA

REAR



MATERIAL AVAILABILITY						
P	PRP	AG	SG	ST	CP1	XRAC
✓						

EQUIVALENT OE #	
OEM YAMAHA	5GJ W0046 00
OEM YAMAHA	59C 25806 00
OEM YAMAHA	5GJ 25806 00

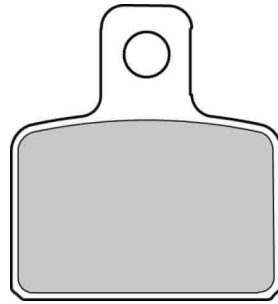
CROSS REFERENCE	
BREMBO	7052
CL BRAKES	1084
EBC	FA319
EBC	SFA319
GALFER	FD 260
NEWFREN	.FD.0316
SBS	768
VESRAH	VD 269

FDB2127

36.0 x 39.2 x 6.0 mm

BETA, GASGAS, MONTESA, SHERCO

FRONT / REAR



MATERIAL AVAILABILITY						
P	PRP	AG	SG	ST	CP1	XRAC
			✓			

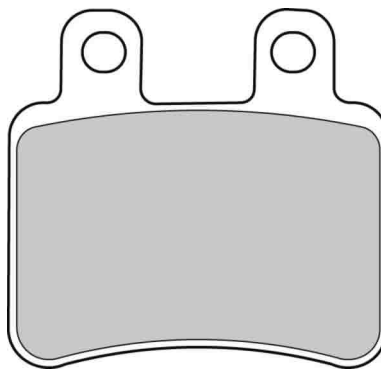
CROSS REFERENCE	
BREMBO	07BB2407
EBC	FA351
GALFER	FD 198
LUCAS	MCB680
SBS	803
VESRAH	VD 9003

FDB2128

50.3 x 47.5 x 7.0 mm

DERBI, HONDA, ITALJET, PEUGEOT, SHERCO, YAMAHA

FRONT / REAR



MATERIAL AVAILABILITY						
P	PRP	AG	SG	ST	CP1	XRAC
		✓				

EQUIVALENT OE #	
OEM Yamaha	3D6 F5811 00

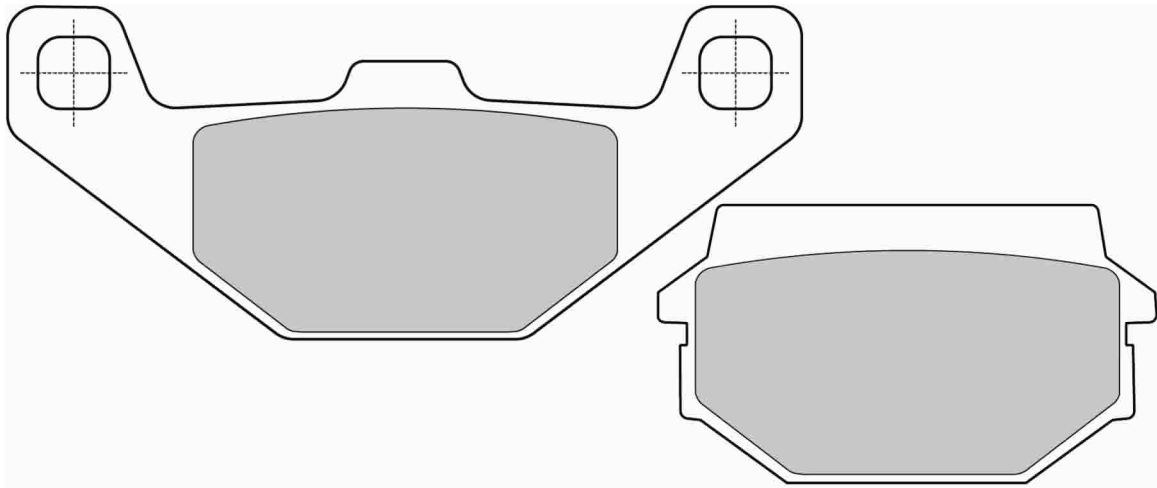
CROSS REFERENCE	
BREMBO	7048
EBC	FA350
GALFER	FD 270
NEWFREN	.FD.0323
SBS	773

FDB2129

105.3 x 44.2 x 7.9 mm / 66.1 x 36.9 x 12.7 mm

SYM

FRONT



MATERIAL AVAILABILITY						
P	PRP	AG	SG	ST	CP1	XRAC
		⚠	⚠			

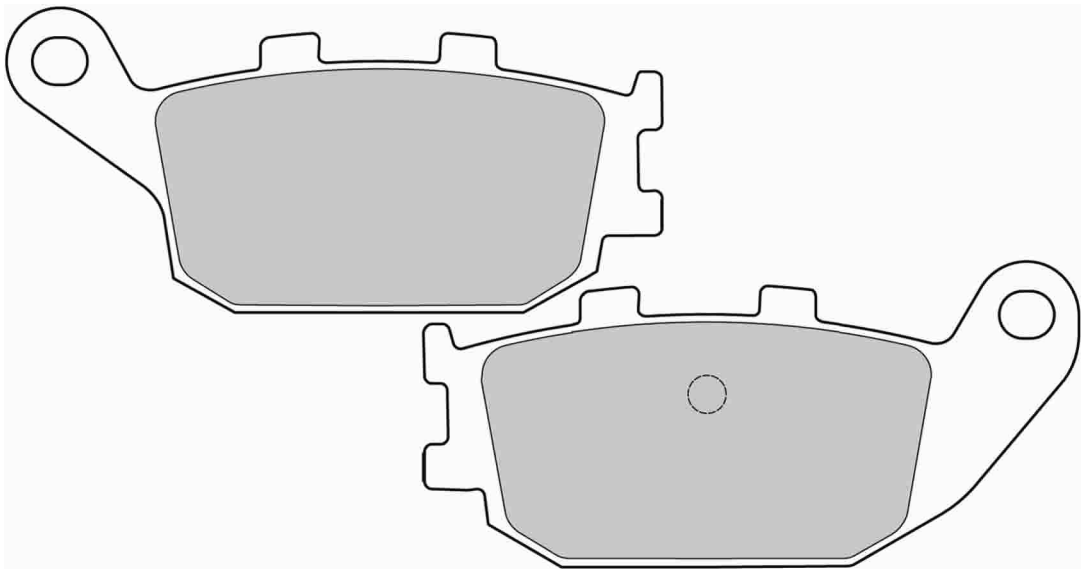
CROSS REFERENCE	
BREMBO	7023
EBC	FA297
NEWFREN	.FD.0296
SBS	745

FDB2130

87.0 x 40.3 x 8.9 mm

HONDA

REAR



MATERIAL AVAILABILITY						
P	PRP	AG	SG	ST	CP1	XRAC
		✓				

EQUIVALENT OE #	
OEM Honda	06435 KPB 016
OEM Honda	06435 KPB 026

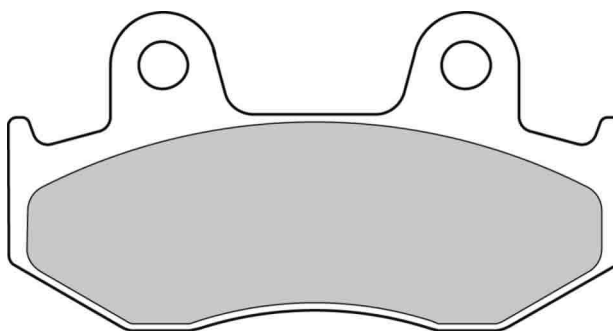
CROSS REFERENCE	
BREMBO	7053
EBC	FA358
EBC	SFA358
NEWFREN	.FD.0324
SBS	753
VESRAH	VD 169

FDB2132

81.2 x 42.2 x 8.3 mm

SUZUKI

REAR



MATERIAL AVAILABILITY						
P	PRP	AG	SG	ST	CP1	XRAC
		✓		⚠		

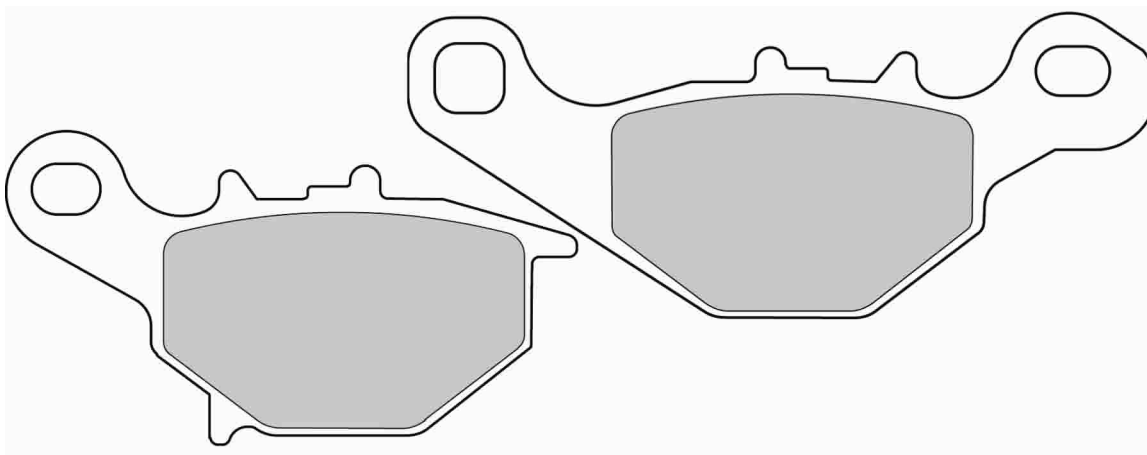
CROSS REFERENCE	
BREMBO	7055
CL BRAKES	3074
EBC	FA411
EBC	SFA411
NEWFREN	.FD.0326
SBS	781

FDB2133

75.7 x 41.5 x 8.2 mm / 99.2 x 40.3 x 7.5 mm

KAWASAKI, SUZUKI

FRONT / REAR



MATERIAL AVAILABILITY						
P	PRP	AG	SG	ST	CP1	XRAC
		✓	✓			

EQUIVALENT OE #	
OEM Suzuki	59300 03880

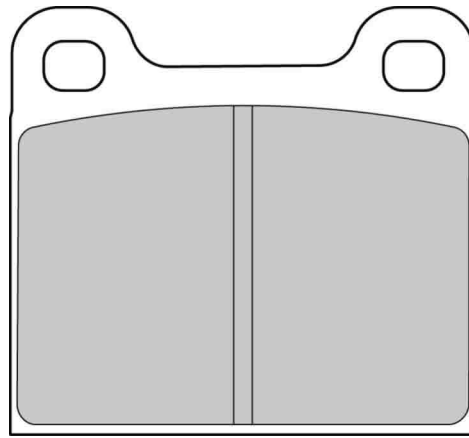
CROSS REFERENCE	
BREMBO	7036
CL BRAKES	2914
EBC	FA230
EBC	FA396
GALFER	FD 177
NEWFREN	.FD.0222
SBS	702
VESRAH	VD 351

FDB2136

61.8 x 56.6 x 11.5 mm

LYN SNOWMOBILE

REAR



MATERIAL AVAILABILITY						
P	PRP	AG	SG	ST	CP1	XRAC
			✓			

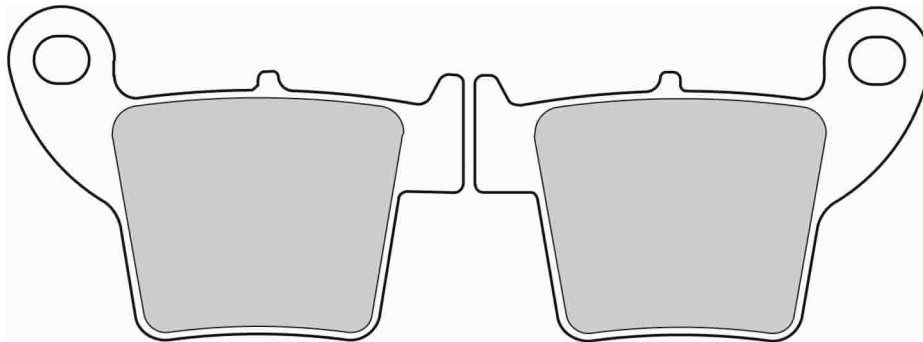
CROSS REFERENCE	
NEWFREN	.FD.0274

FDB2139

60.2 x 44.2 x 11.0 mm

APRILIA, HONDA, SUZUKI

REAR



MATERIAL AVAILABILITY						
P	PRP	AG	SG	ST	CP1	XRAC
✓			✓			

EQUIVALENT OE #	
OEM Honda	06435 KRN 712
OEM Honda	06435 KZ4 J41

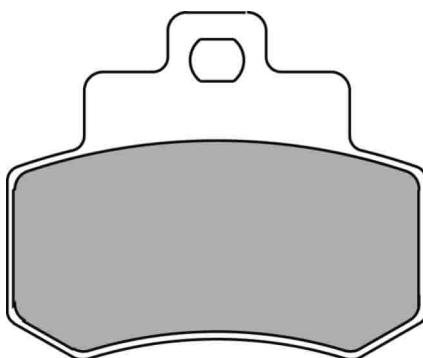
CROSS REFERENCE	
BREMBO	07HP48SD
CL BRAKES	1076
EBC	FA346
GALFER	FD 278
LUCAS	MCB730SI
NEWFREN	.FD.0329
SBS	777
VESRAH	VD 168

FDB2140

55.6 x 46.0 x 7.0 mm

KYMCO

REAR



MATERIAL AVAILABILITY						
P	PRP	AG	SG	ST	CP1	XRAC
		✓				

EQUIVALENT OE #	
OEM Kymco	43105 HMA0 00A
OEM Kymco	43105 KKC49 000
OEM Sym	43108 HMA 000A

CROSS REFERENCE	
BREMBO	7051
EBC	FA356
EBC	SFA356
GALFER	FD 276
NEWFREN	.FD.0328
SBS	776

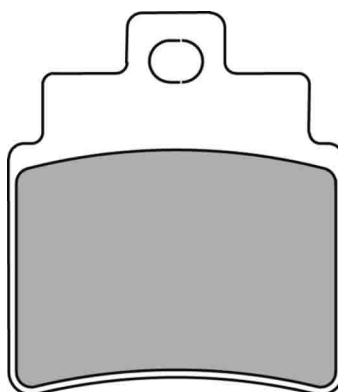
FDB2141

44.6 x 51.2 x 7.0 mm

ARCTIC CAT ATV, KYMCO, KYMCO ATV, SYM

FRONT / REAR

Set of 4 Pads



MATERIAL AVAILABILITY						
P	PRP	AG	SG	ST	CP1	XRAC
		✓	✓			

EQUIVALENT OE #	
OEM Honda	45105 KKC4 305
OEM Honda	45105 HMA 000A

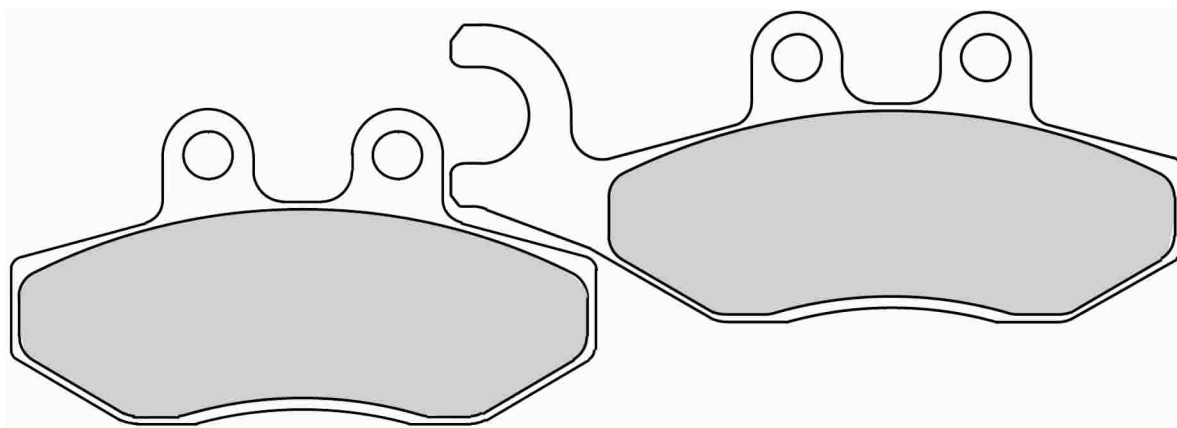
CROSS REFERENCE	
BREMBO	7050
CL BRAKES	1151
EBC	FA355
GALFER	FD 275
NEWFREN	.FD.0327
SBS	775

FDB2142

97.1 x 41.2 x 9.0 mm / 77.2 x 41.2 x 9.0 mm

APRILIA, DERBI, GILERA, PIAGGIO

FRONT / REAR



MATERIAL AVAILABILITY						
P	PRP	AG	SG	ST	CP1	XRAC
		✓		✓		

EQUIVALENT OE #	
OEM Gilera	647078
OEM Piaggio	647078
OEM Piaggio	497072
OEM Piaggio	CM068308

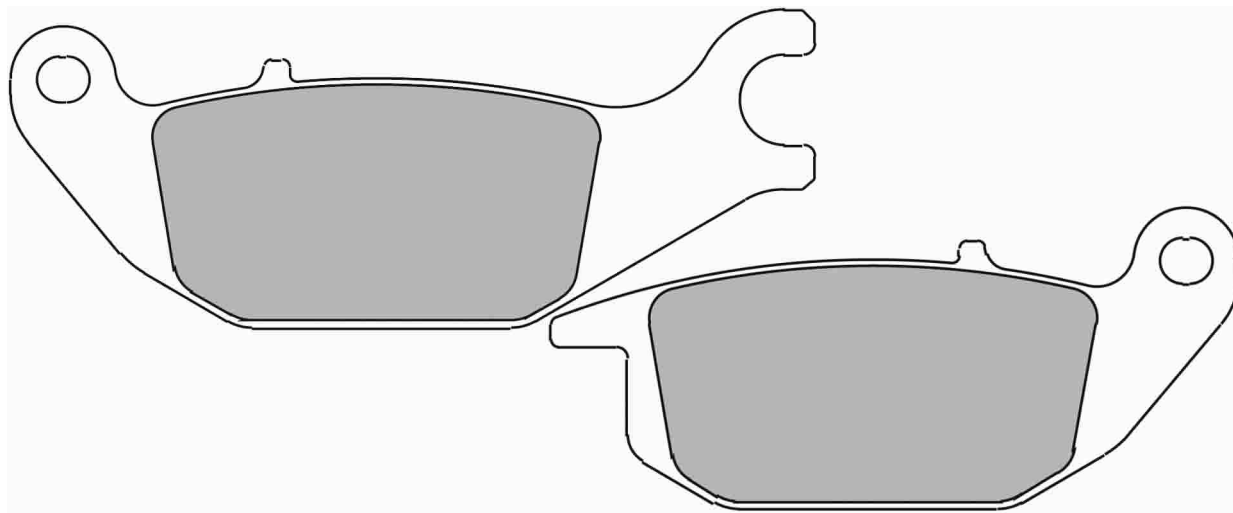
CROSS REFERENCE	
BRAKING	888
BREMBO	7056
CL BRAKES	3060
EBC	FA353
EBC	SFA353
GALFER	FD 277
NEWFREN	.FD.0330
SBS	786

FDB2143

107.2 x 40.2 x 10.0 mm / 91.7 x 40.2 x 10.0 mm

HONDA, YAMAHA

REAR



MATERIAL AVAILABILITY						
P	PRP	AG	SG	ST	CP1	XRAC
✓						

EQUIVALENT OE #	
OEM Honda	06435 KPC 641
OEM Honda	06435 KPC 642
OEM Honda	06435 KPP 901
OEM Honda	06435 KPP 902

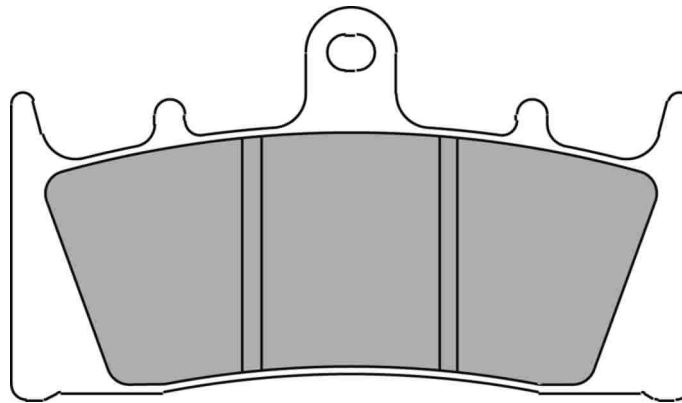
CROSS REFERENCE	
BREMBO	07HO4905
CL BRAKES	1067
EBC	FA343
LUCAS	MCB738LF
NEWFREN	.FD.0331
SBS	784

FDB2144

90.0 x 52.0 x 9.9 mm

KAWASAKI, SUZUKI

FRONT



ALSO AVAILABLE		
SHAPE	TH. MM	NOTES
FDB873	8.0	

MATERIAL AVAILABILITY						
P	PRP	AG	SG	ST	CP1	XRAC
✓				✓		✓

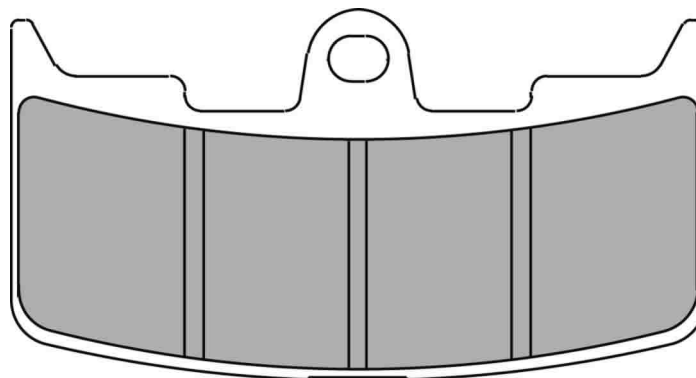
CROSS REFERENCE	
BREMBO	07SU1907
CL BRAKES	2255
EBC	FA188
GALFER	FD 156
LUCAS	MCB659
NEWFREN	.FD.0361
SBS	686
VESRAH	VD 349

FDB2145

92.0 x 49.0 x 7.9 mm

BUELL

FRONT



MATERIAL AVAILABILITY						
P	PRP	AG	SG	ST	CP1	XRAC
				✓		✓

EQUIVALENT OE #	
OEM Buell	H0300-02A8

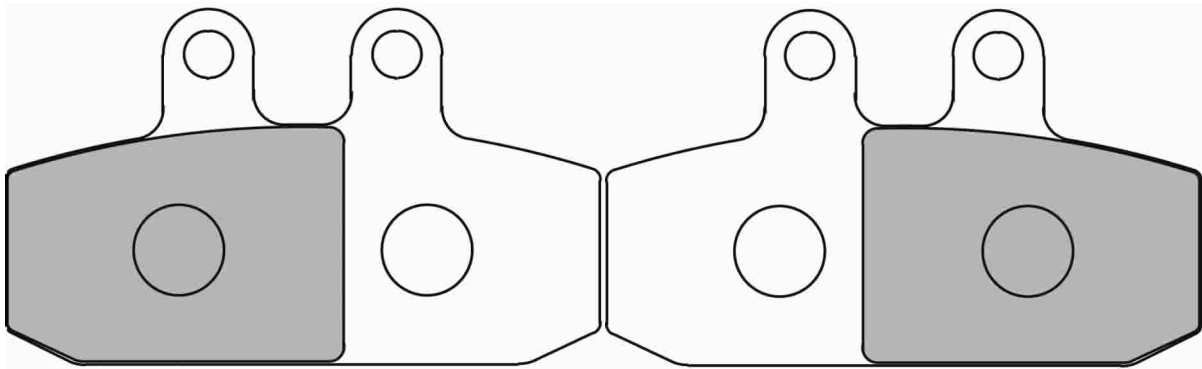
CROSS REFERENCE	
BREMBO	07GR68
CL BRAKES	1139
EBC	FA345
LUCAS	MCB747
NEWFREN	.FD.0344
SBS	795
VESRAH	VD 993

FDB2146

79.0 x 47.0 x 7.6 mm

APRILIA

FRONT



MATERIAL AVAILABILITY						
P	PRP	AG	SG	ST	CP1	XRAC
✓						

EQUIVALENT OE #	
OEM Aprilia	8133725

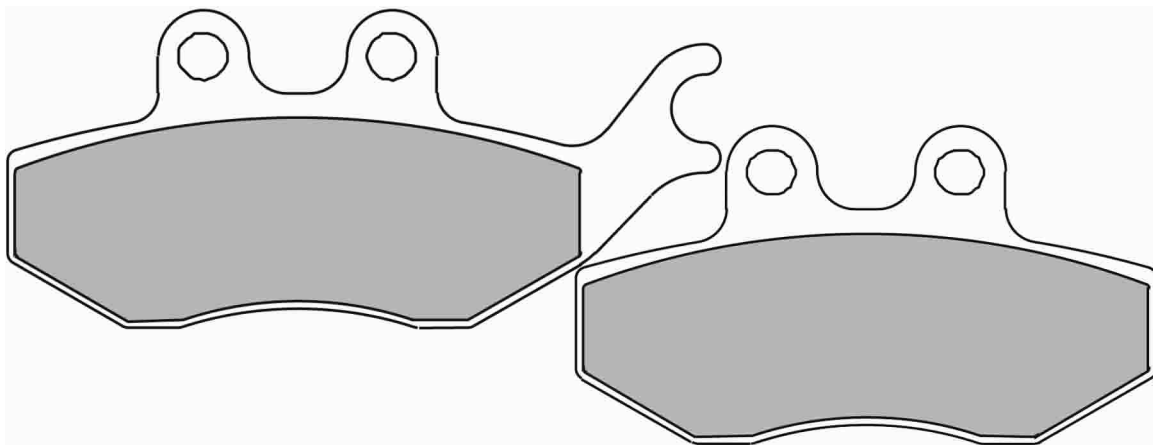
CROSS REFERENCE	
BREMBO	7057
EBC	FA256
NEWFREN	.FD.0335
SBS	793
VESRAH	VD 152

FDB2147

94.6 x 42.1 x 7.2 mm / 77.1 x 42.1 x 7.2 mm

ITALJET, RIEJU

FRONT / REAR



MATERIAL AVAILABILITY						
P	PRP	AG	SG	ST	CP1	XRAC
		✓				

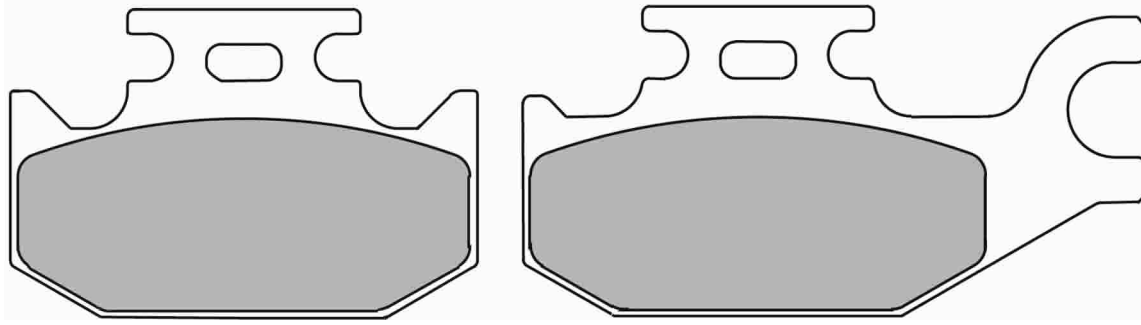
CROSS REFERENCE	
BREMBO	7054
EBC	FA374
NEWFREN	.FD.0334
SBS	780

FDB2148

82.2 x 40.9 x 9.4 mm / 62.1 x 40.9 x 9.4 mm

BOMBARDIER ATV, CAN AM ATV, CANNONDALE ATV, JOHN DEERE ATV, KAWASAKI ATV, SUZUKI, SUZUKI ATV, YAMAHA ATV

FRONT / REAR



MATERIAL AVAILABILITY						
P	PRP	AG	SG	ST	CP1	XRAC
		✓	✓			

EQUIVALENT OE #	
OEM Kawasaki	43082 0077
OEM Suzuki	59100 31860
OEM Suzuki	69100 03890
OEM Suzuki	69101 03810
OEM Suzuki	59100 09870

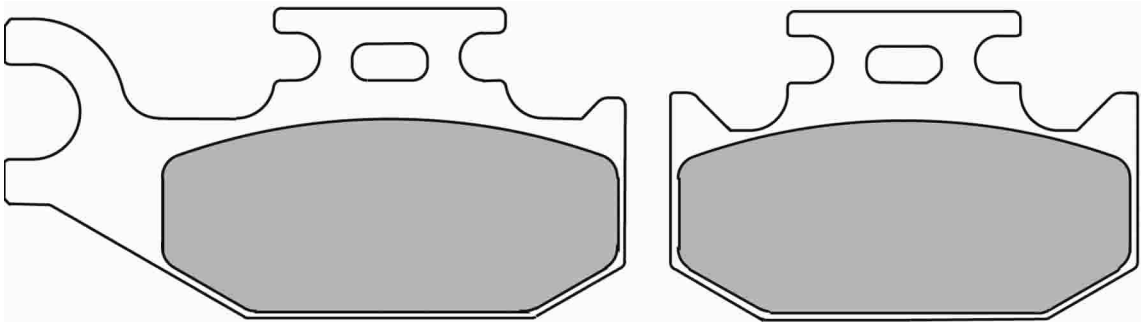
CROSS REFERENCE	
BREMBO	07GR49
CL BRAKES	2923
EBC	FA307
EBC	FA413
GALFER	FD 315
LUCAS	MCB724
NEWFREN	.FD.0301
SBS	754
VESRAH	VD 266

FDB2149

82.2 x 40.9 x 9.4 mm / 62.1 x 40.9 x 9.4 mm

BOMBARDIER ATV, CAN AM ATV, CANNONDALE ATV, JOHN DEERE ATV, KAWASAKI ATV, SUZUKI ATV, YAMAHA ATV

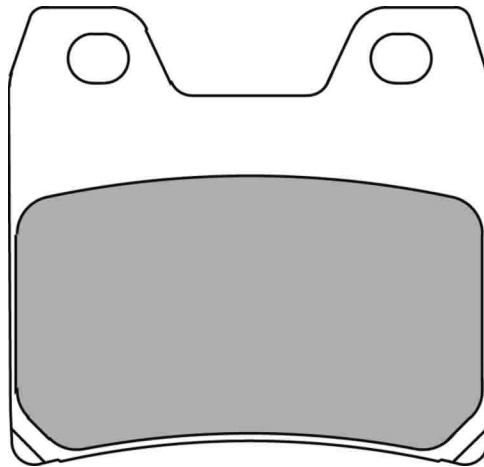
FRONT / REAR



MATERIAL AVAILABILITY						
P	PRP	AG	SG	ST	CP1	XRAC
			✓			

EQUIVALENT OE #	
OEM Kawasaki	43082 0078
OEM Suzuki	59100 09860
OEM Suzuki	59100 31850

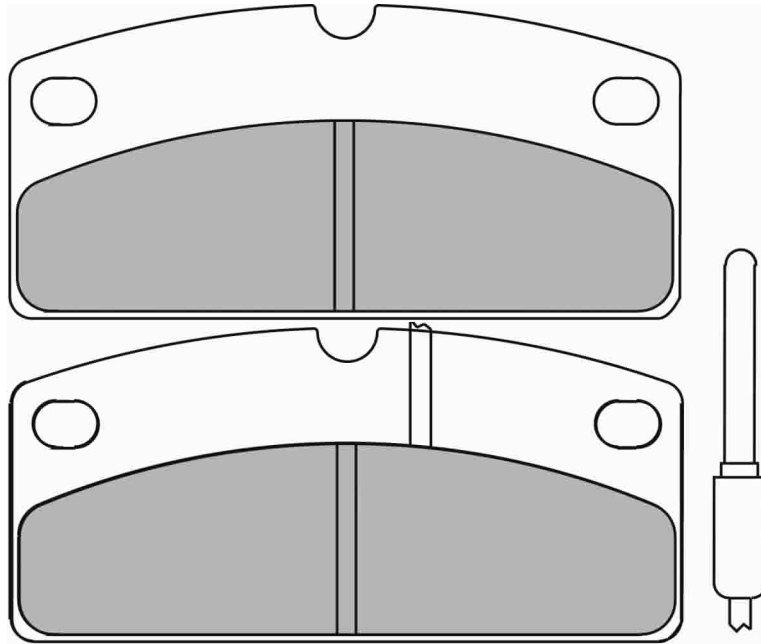
CROSS REFERENCE	
BREMBO	07GR50
CL BRAKES	1102
EBC	FA317
EBC	FA414
LUCAS	MCB723
NEWFREN	.FD.0318
SBS	767



MATERIAL AVAILABILITY						
P	PRP	AG	SG	ST	CP1	XRAC
				✓		

EQUIVALENT OE #	
OEM Yamaha	5LV W0046 50

CROSS REFERENCE	
BREMBO	07YA4007
CL BRAKES	1066
EBC	FA348
GALFER	FD 329
LUCAS	MCB725
NEWFREN	.FD.0341
SBS	770
VESRAH	VD 268



MATERIAL AVAILABILITY						
P	PRP	AG	SG	ST	CP1	XRAC
✓						

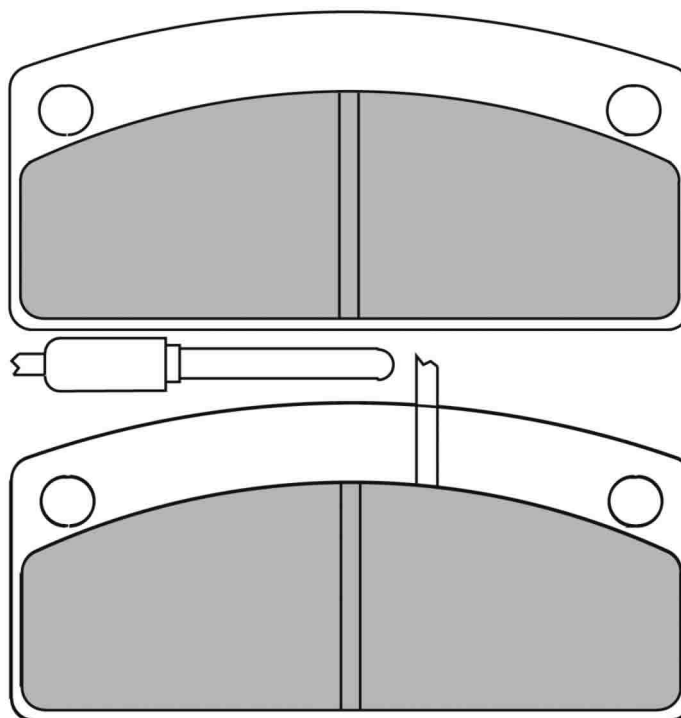
CROSS REFERENCE	
NEWFREN	.FD.0343

FDB2154

89.9 x 42.2 x 9.6 mm

GREKAV
Set of 4 Pads

FRONT



MATERIAL AVAILABILITY						
P	PRP	AG	SG	ST	CP1	XRAC
✓						

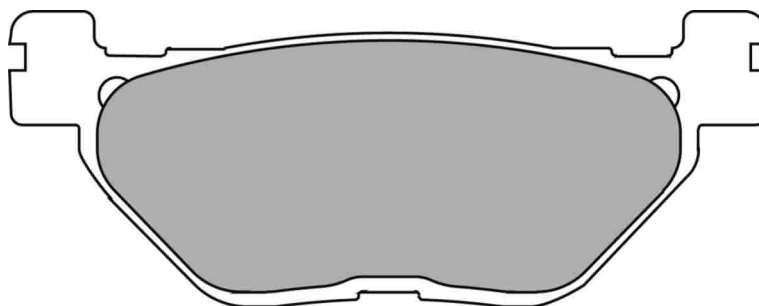
CROSS REFERENCE	
GALFER	FD 221
NEWFREN	.FD.0336

FDB2156

100.3 x 39.3 x 9.5 mm

HYOSUNG, YAMAHA

REAR



MATERIAL AVAILABILITY						
P	PRP	AG	SG	ST	CP1	XRAC
✓				⚠		

CROSS REFERENCE	
BREMBO	07YA3908
CL BRAKES	1084
EBC	FA319/2
GALFER	FD 295
LUCAS	MCB731
NEWFREN	.FD.0345
SBS	769
VESRAH	VD 269/2

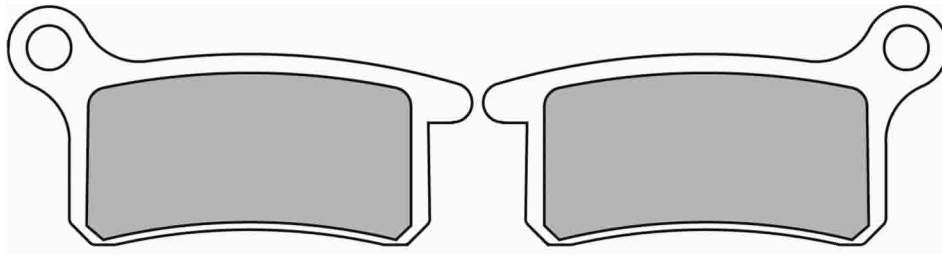
EQUIVALENT OE #	
OEM Yamaha	5JW W0046 00
OEM Yamaha	1D7 W0046 00
OEM Yamaha	3P6 W0046 50
OEM Yamaha	2S3 W0046 00
OEM Yamaha	5PS W0046 00

FDB2157

61.9 x 31.7 x 6.6 mm

HUSQVARNA, KTM

FRONT / REAR



MATERIAL AVAILABILITY						
P	PRP	AG	SG	ST	CP1	XRAC
			✓			

EQUIVALENT OE #	
OEM KTM	4611303000

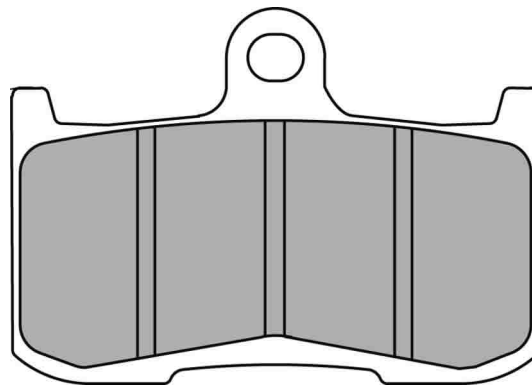
CROSS REFERENCE	
BREMBO	07GR69
CL BRAKES	1078
EBC	FA357
GALFER	FD 265
LUCAS	MCB740
NEWFREN	.FD.0354
SBS	783

FDB2158

69.8 x 49.6 x 7.1 mm

KAWASAKI, SUZUKI, TRIUMPH

FRONT



MATERIAL AVAILABILITY						
P	PRP	AG	SG	ST	CP1	XRAC
				✓		

EQUIVALENT OE #	
OEM Kawasaki	43082 0002
OEM Kawasaki	43082 1290
OEM Suzuki	59100 23830
OEM Suzuki	59100 29840

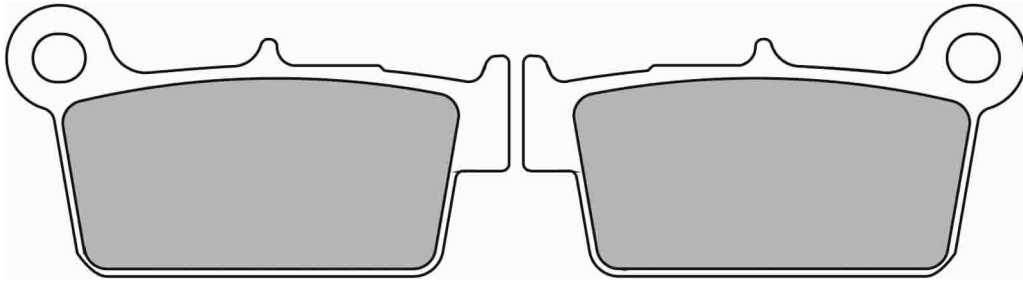
CROSS REFERENCE	
BREMBO	07KA2305
CL BRAKES	1083
EBC	FA347
GALFER	FD 331
LUCAS	MCB737
NEWFREN	.FD.0351
SBS	782
VESRAH	VD 443

FDB2162

66.9 x 36.0 x 9.4 mm

APRILIA, BETA, HONDA, KAWASAKI, SHERCO, SUZUKI, TM, YAMAHA

REAR



MATERIAL AVAILABILITY						
P	PRP	AG	SG	ST	CP1	XRAC
✓			✓			

CROSS REFERENCE	
BREMBO	07YA41
CL BRAKES	1103
EBC	FA367
GALFER	FD 286
LUCAS	MCB739
NEWFREN	.FD.0349
SBS	790
VESRAH	VD 271

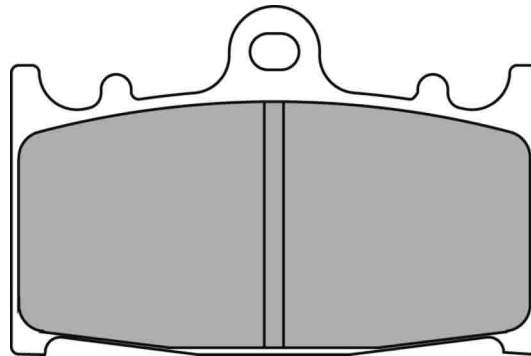
EQUIVALENT OE #	
OEM Aprilia	9100797
OEM Kawasaki	43082 0090
OEM Kawasaki	43082 0006
OEM Kawasaki	43082 0048
OEM Suzuki	69100 36850
OEM Suzuki	69100 35810
OEM Suzuki	69101 44840
OEM Yamaha	5UN W0046 50
OEM Yamaha	5UN W0046 60
OEM Yamaha	1C3 W0046 50
OEM Yamaha	5UN W0046 00
OEM Yamaha	1C3 W0046 10
OEM Yamaha	1C3 W0046 B0
OEM Yamaha	1C3 W0046 80
OEM Yamaha	5UN W0046 51

FDB2163

69.9 x 46.1 x 13.1 mm

SUZUKI

REAR



MATERIAL AVAILABILITY						
P	PRP	AG	SG	ST	CP1	XRAC
				✓		

CROSS REFERENCE	
BREMBO	07SU30
CL BRAKES	1145
EBC	FA366
LUCAS	MCB740
NEWFREN	.FD.0371
SBS	789

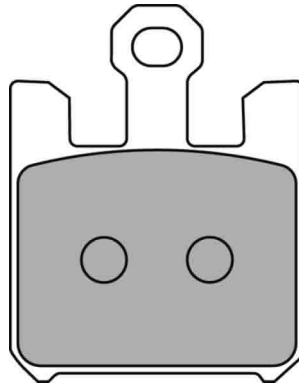
EQUIVALENT OE #	
OEM Suzuki	69100 10820

FDB2164

39.0 x 49.9 x 7.9 mm

KAWASAKI, SUZUKI
Set of 4 Pads

FRONT



ALSO AVAILABLE		
SHAPE	TH. MM	NOTES
FDB2203	9.3	Racing Applications

MATERIAL AVAILABILITY						
P	PRP	AG	SG	ST	CP1	XRAC
				✓		✓

EQUIVALENT OE #	
OEM Kawasaki	43082 0021
OEM Kawasaki	43082 0031
OEM Kawasaki	43082 0058
OEM Kawasaki	43082 1293
OEM Suzuki	59100 18850

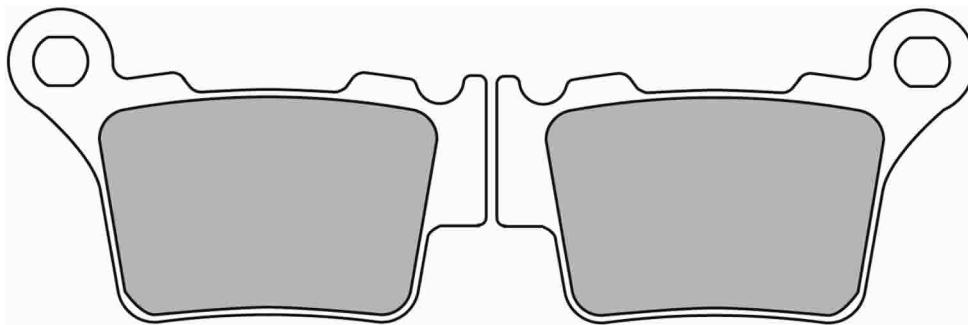
CROSS REFERENCE	
BREMBO	07SU26
CL BRAKES	1110
EBC	FA369/4
GALFER	FD 290
LUCAS	MCB742
NEWFREN	.FD.0352
SBS	788
VESRAH	VD 354

FDB2165

64.3 x 41.8 x 9.0 mm

BMW, HUSQVARNA, KTM, RIEJU

REAR



MATERIAL AVAILABILITY						
P	PRP	AG	SG	ST	CP1	XRAC
✓			✓			

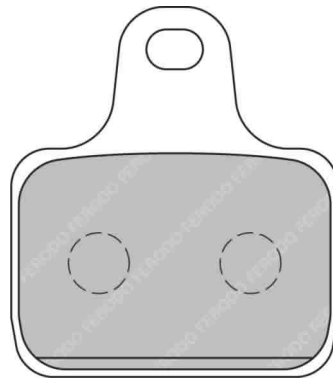
EQUIVALENT OE #	
OEM BMW	34 21 7 717 324
OEM KTM	54813090000
OEM KTM	54813090100
OEM KTM	54813090300
OEM KTM	54813090200

CROSS REFERENCE	
BREMBO	07BB2750
CL BRAKES	1108
EBC	FA368
GALFER	FD 291
LUCAS	MCB743
NEWFREN	.FD.0348
SBS	791

FDB2166

43.3 x 48.9 x 9.9 mm

Set of 4 Pads



MATERIAL AVAILABILITY						
P	PRP	AG	SG	ST	CP1	XRAC
					✓	✓

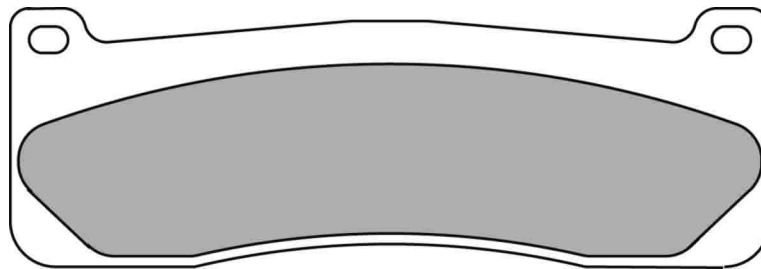
CROSS REFERENCE	
CL BRAKES	1075
EBC	FA435/4
NEWFREN	.FD.0370
SBS	805

FDB2167

100.7 x 34.3 x 9.0 mm

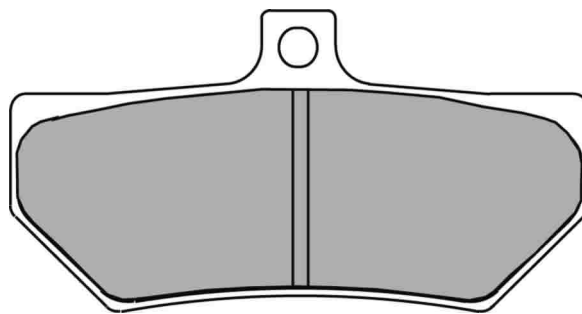
HONDA

FRONT



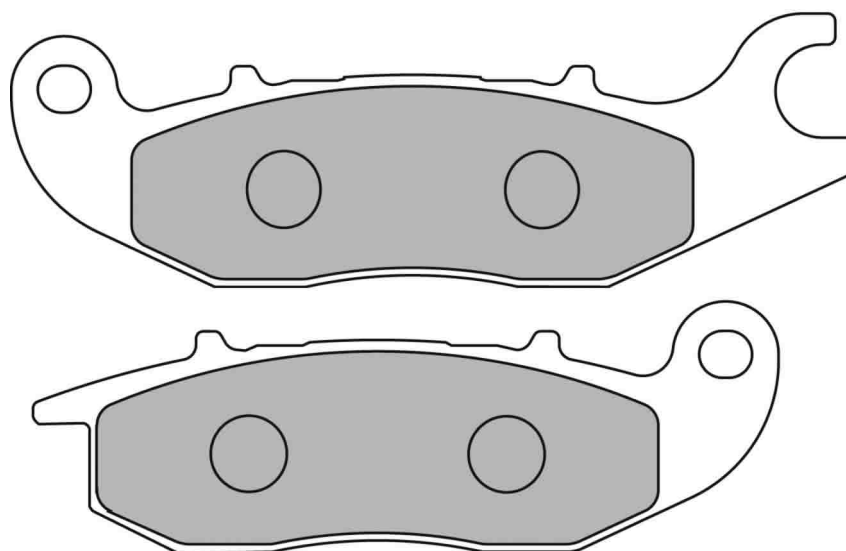
MATERIAL AVAILABILITY						
P	PRP	AG	SG	ST	CP1	XRAC
					✓	✓

CROSS REFERENCE	
CL BRAKES	2720
EBC	GFA263
NEWFREN	.FD.0369
SBS	707



MATERIAL AVAILABILITY						
P	PRP	AG	SG	ST	CP1	XRAC
						✓

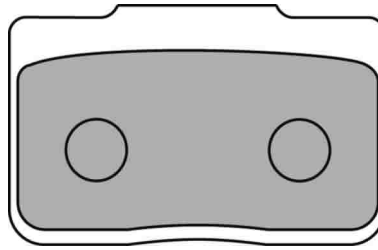
CROSS REFERENCE	
NEWFREN	.FD.0368



MATERIAL AVAILABILITY						
P	PRP	AG	SG	ST	CP1	XRAC
✓		✓				

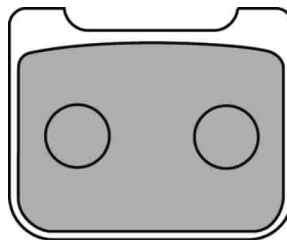
EQUIVALENT OE #	
OEM Honda	06455 KPP 901
OEM Honda	06455 KPP 902

CROSS REFERENCE	
BREMBO	07HO5606
CL BRAKES	1148
EBC	FA375
GALFER	FD 259
GALFER	FD 298
LUCAS	MCB759
NEWFREN	.FD.0355
SBS	797

FDB2170**49.8 x 31.8 x 8.1 mm**

MATERIAL AVAILABILITY						
P	PRP	AG	SG	ST	CP1	XRAC
✓						

CROSS REFERENCE	
BREMBO	07.9340.20
NEWFREN	.FD.0366

FDB2171**37.8 x 29.2 x 7.7 mm**

MATERIAL AVAILABILITY						
P	PRP	AG	SG	ST	CP1	XRAC
✓						

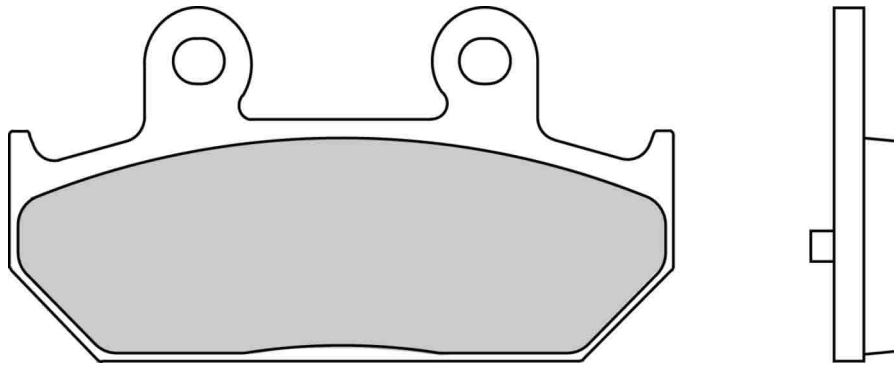
CROSS REFERENCE	
BREMBO	07.9340.90
GALFER	FD 181
NEWFREN	.FD.0367
SBS	732

FDB2173

88.0 x 46.0 x 8.5 mm

SUZUKI

REAR



MATERIAL AVAILABILITY						
P	PRP	AG	SG	ST	CP1	XRAC
				✓		

EQUIVALENT OE #	
OEM Suzuki	69100 10840

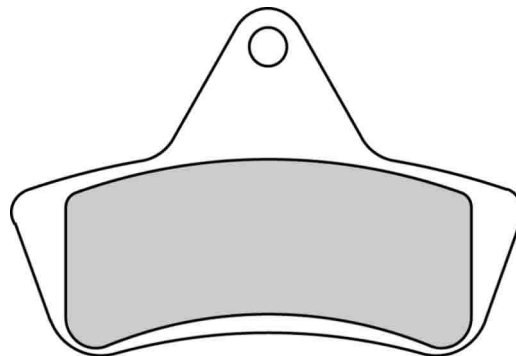
CROSS REFERENCE	
BREMBO	7058
CL BRAKES	3066
EBC	FA412
NEWFREN	.FD.0356
SBS	804

FDB2175

67.8 x 45.1 x 7.6 mm

ARCTIC CAT ATV, LAVERDA ATV

FRONT / REAR



MATERIAL AVAILABILITY						
P	PRP	AG	SG	ST	CP1	XRAC
			✓			

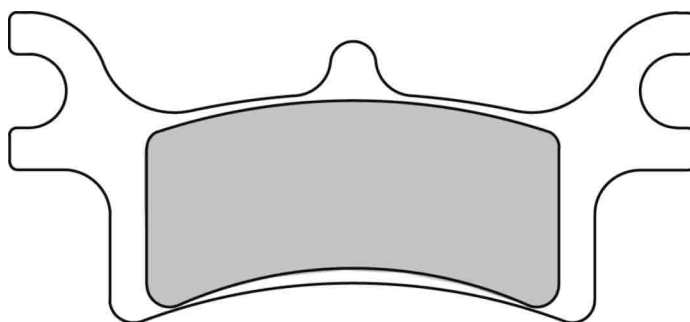
CROSS REFERENCE	
BREMBO	07GR54
CL BRAKES	2926
EBC	FA271
GALFER	FD 302
LUCAS	MCB763
NEWFREN	.FD.0309
SBS	758
VESRAH	VD 965

FDB2176

91.0 x 41.9 x 8.3 mm

POLARIS ATV

REAR



MATERIAL AVAILABILITY						
P	PRP	AG	SG	ST	CP1	XRAC
			✓			

EQUIVALENT OE #	
OEM Polaris	2201871

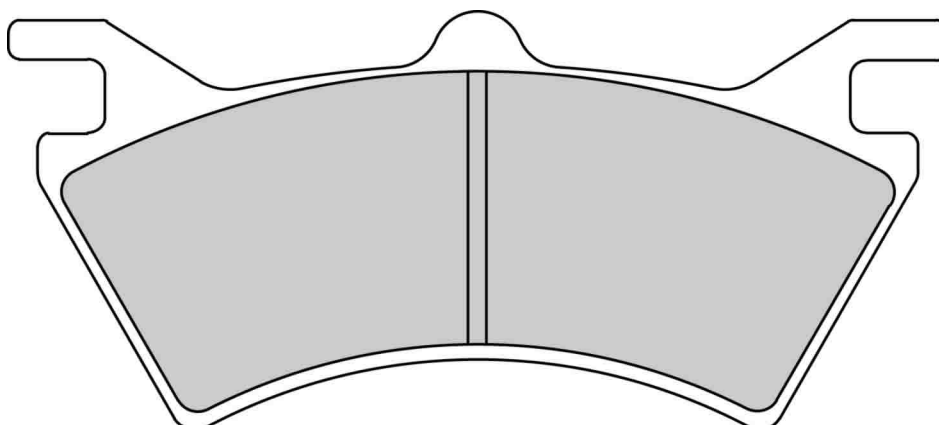
CROSS REFERENCE	
BREMBO	07PO06
CL BRAKES	1165
EBC	FA314
NEWFREN	.FD.0346
SBS	787
VESRAH	VD 992

FDB2177

124.4 x 55.5 x 10.0 mm

POLARIS ATV

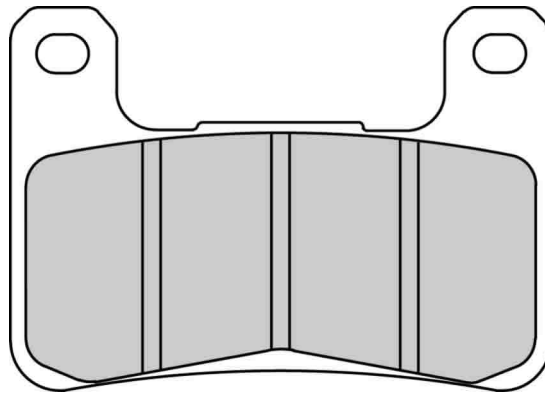
REAR



MATERIAL AVAILABILITY						
P	PRP	AG	SG	ST	CP1	XRAC
			✉			

EQUIVALENT OE #	
OEM Polaris	2201685

CROSS REFERENCE	
BREMBO	07PO05
EBC	FA313
NEWFREN	.FD.0317
SBS	757
VESRAH	VD 973

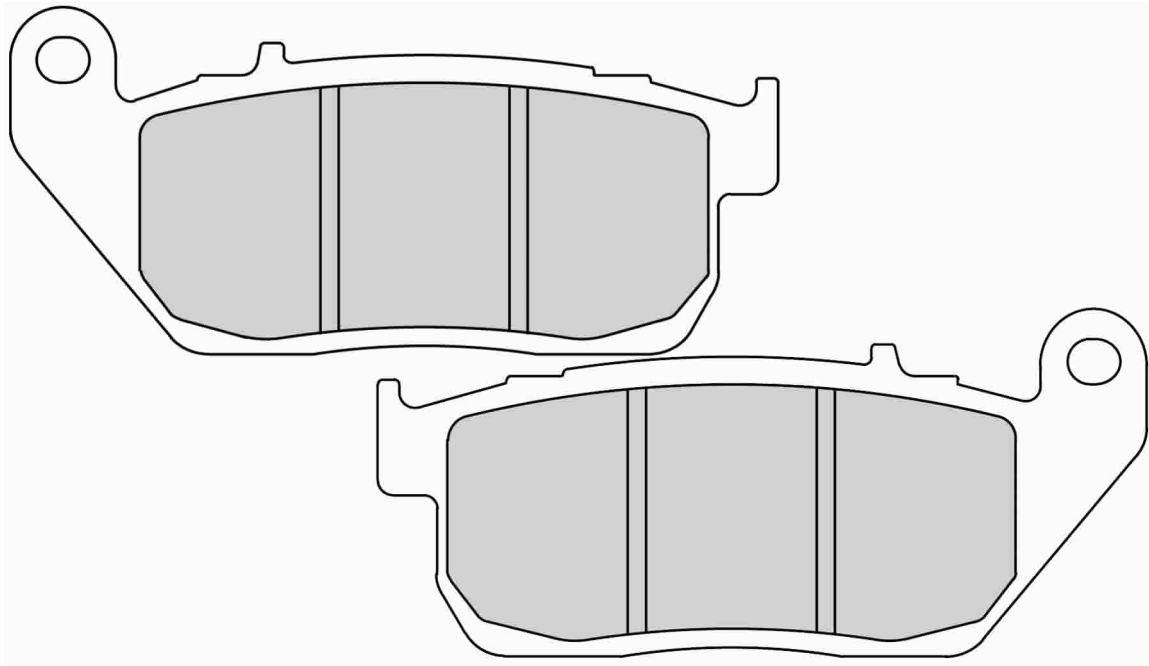


ALSO AVAILABLE		
SHAPE	TH. MM	NOTES
FDB2204	9.3	Racing Applications

MATERIAL AVAILABILITY						
P	PRP	AG	SG	ST	CP1	XRAC
				✓		✓

EQUIVALENT OE #	
OEM Kawasaki	43082 0091
OEM Suzuki	59100 47890
OEM Suzuki	59100 29820
OEM Suzuki	59100 29850

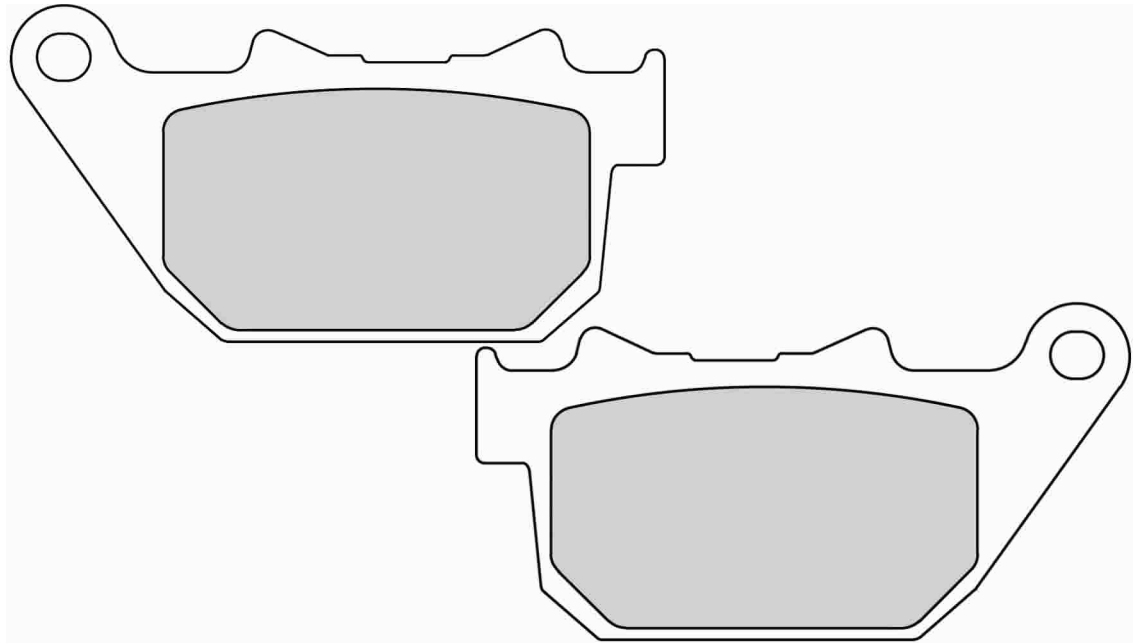
CROSS REFERENCE	
BREMBO	07SU27
CL BRAKES	1133
EBC	FA379
GALFER	FD 325
LUCAS	MCB752
NEWFREN	.FD.0362
SBS	806
VESRAH	VD 355



MATERIAL AVAILABILITY						
P	PRP	AG	SG	ST	CP1	XRAC
✓				✓		

EQUIVALENT OE #	
OEM Harley	42831 04A
OEM Harley	42831 04

CROSS REFERENCE	
BREMBO	07HD13
CL BRAKES	1149
EBC	FA381
NEWFREN	.FD.0387
SBS	807
VESRAH	VD 9009JL



MATERIAL AVAILABILITY						
P	PRP	AG	SG	ST	CP1	XRAC
✓				✓		

EQUIVALENT OE #	
OEM Harley	42029 07
OEM Harley	42836 04

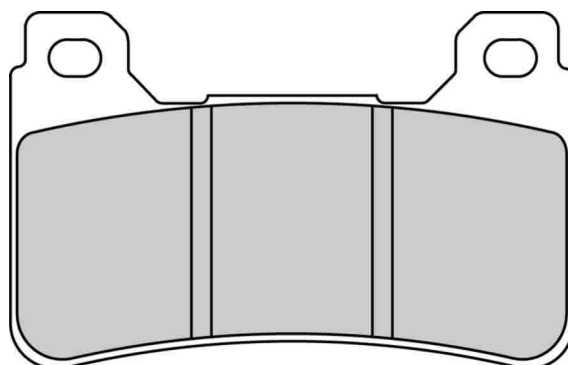
CROSS REFERENCE	
BREMBO	07HD14
CL BRAKES	1150
EBC	FA387
NEWFREN	.FD.0386
SBS	808
VESRAH	VD 9010JL

FDB2181

74.6 x 47.4 x 8.0 mm

HONDA

FRONT



ALSO AVAILABLE		
SHAPE	TH. MM	NOTES
FDB2205	9.0	Racing Applications

MATERIAL AVAILABILITY						
P	PRP	AG	SG	ST	CP1	XRAC
				✓		✓

EQUIVALENT OE #	
OEM Honda	06455 MEL D22

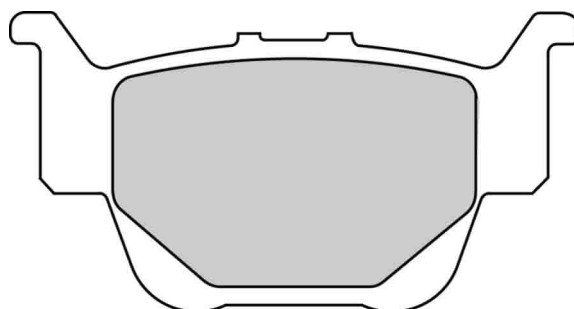
CROSS REFERENCE	
BREMBO	07HO50
CL BRAKES	1134
EBC	FA390
GALFER	FD 326
LUCAS	MCB755
NEWFREN	.FD.0364
SBS	809
VESRAH	VD 170

FDB2182

75.4 x 39.7 x 9.7 mm

HONDA ATV

REAR



MATERIAL AVAILABILITY						
P	PRP	AG	SG	ST	CP1	XRAC
			✓			

EQUIVALENT OE #	
OEM Honda	06435 HN8 006
OEM Honda	06435 HN8 016

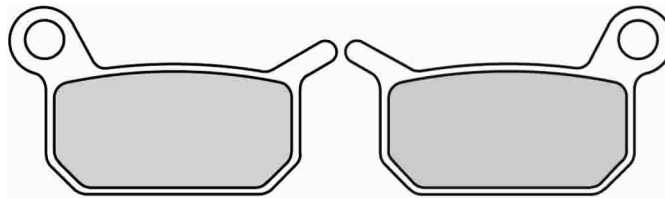
CROSS REFERENCE	
BREMBO	07HO55
CL BRAKES	1140
EBC	FA373
LUCAS	MCB769
NEWFREN	.FD.0376
SBS	813
VESRAH	VD 171

FDB2183

43.6 x 25.3 x 5.0 mm

HUSQVARNA, KTM, LEM

FRONT / REAR



MATERIAL AVAILABILITY						
P	PRP	AG	SG	ST	CP1	XRAC
			✓			

EQUIVALENT OE #	
OEM KTM	45113030000

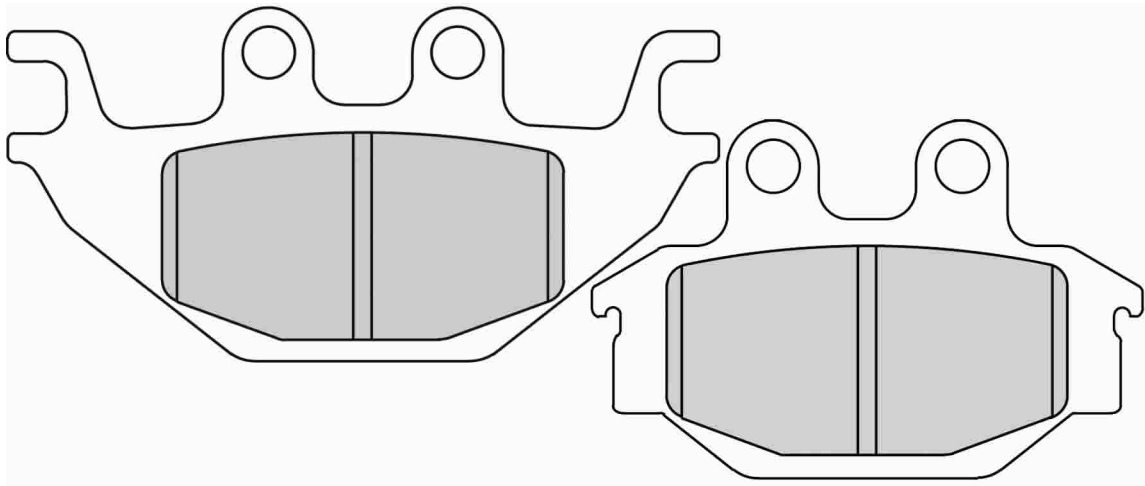
CROSS REFERENCE	
BREMBO	07GR70
CL BRAKES	1128
EBC	FA325
LUCAS	MCB750
NEWFREN	.FD.0372
SBS	794
VESRAH	VD 991

FDB2184

73.3 x 47.3 x 10.9 mm / 94.4 x 47.5 x 8.6 mm

ARCTIC CAT ATV, BOMBARDIER ATV, CAN AM ATV, CPI ATV, KYMCO ATV, SYM ATV, TGB ATV, YAMAHA

FRONT / REAR



MATERIAL AVAILABILITY						
P	PRP	AG	SG	ST	CP1	XRAC
✓			✓			

EQUIVALENT OE #	
OEM Yamaha	5D7 F582W 00

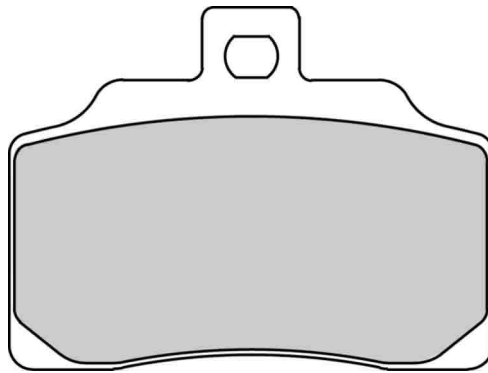
CROSS REFERENCE	
BREMBO	07GR5209
CL BRAKES	1147
EBC	FA377
LUCAS	MCB760
NEWFREN	.FD.0383
SBS	810

FDB2185

64.1 x 48.3 x 8.1 mm

BENELLI, BETA

FRONT



MATERIAL AVAILABILITY						
P	PRP	AG	SG	ST	CP1	XRAC
✓						

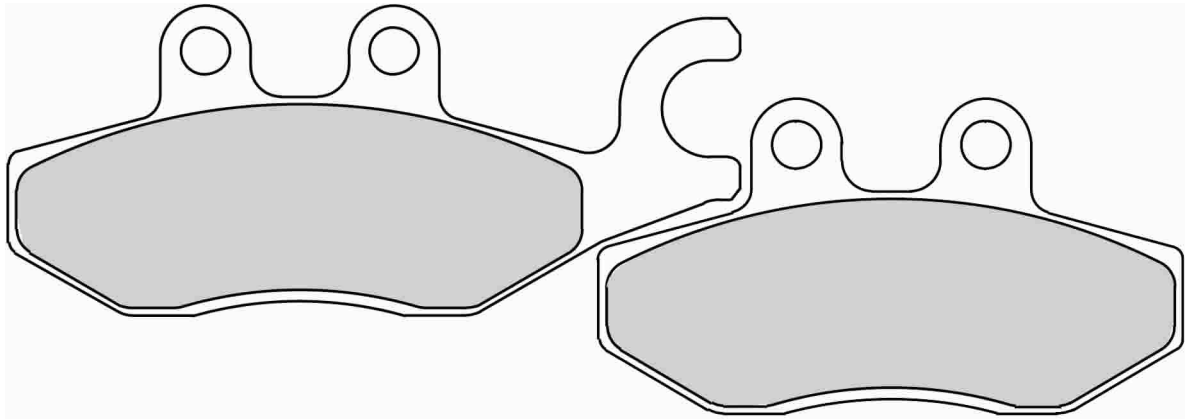
CROSS REFERENCE	
EBC	FA426
NEWFREN	.FD.0379

FDB2186

97.1 x 41.2 x 9.0 mm / 77.2 x 41.2 x 9.0 mm

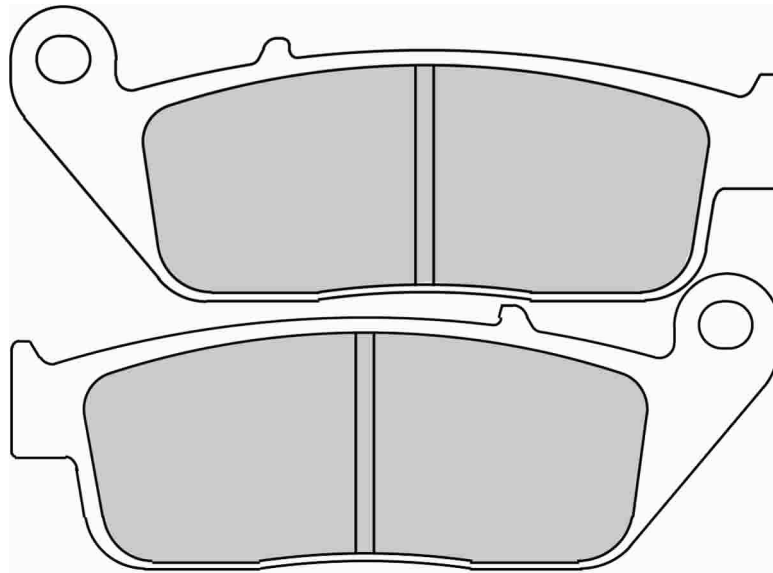
GILERA, PIAGGIO

FRONT / REAR



MATERIAL AVAILABILITY						
P	PRP	AG	SG	ST	CP1	XRAC
		✓				

CROSS REFERENCE	
BREMBO	7060
EBC	FA418
EBC	SFA418
NEWFREN	.FD.0365
SBS	818



MATERIAL AVAILABILITY						
P	PRP	AG	SG	ST	CP1	XRAC
		✔				

EQUIVALENT OE #	
OEM Kymco	43105 LBA2 305

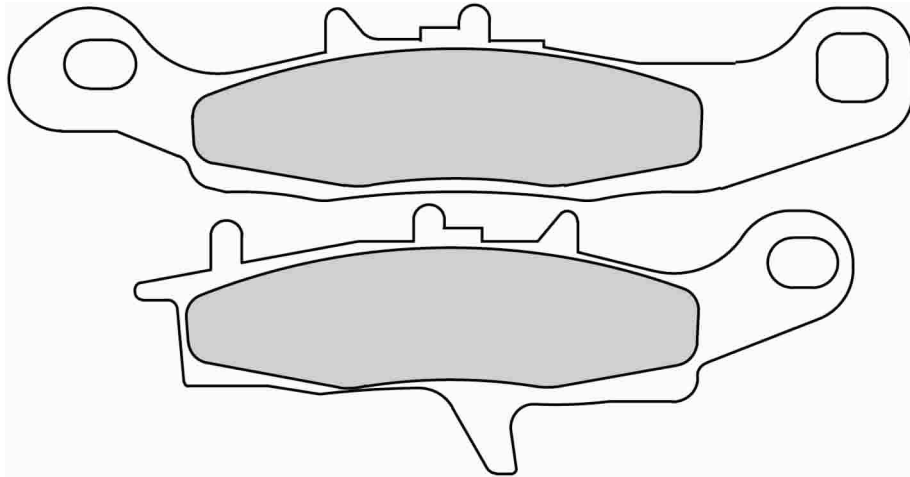
CROSS REFERENCE	
BREMBO	07HO3405
CL BRAKES	2256
EBC	FA142
GALFER	FD 140
LUCAS	MCB631
NEWFREN	.FD.0373
SBS	627
VESRAH	VD 156

FDB2188

94.5 x 35.8 x 7.3 mm / 119.7 x 26.6 x 6.8 mm

KAWASAKI ATV

FRONT



MATERIAL AVAILABILITY						
P	PRP	AG	SG	ST	CP1	XRAC
			✓			

EQUIVALENT OE #	
OEM Kawasaki	43082 1255

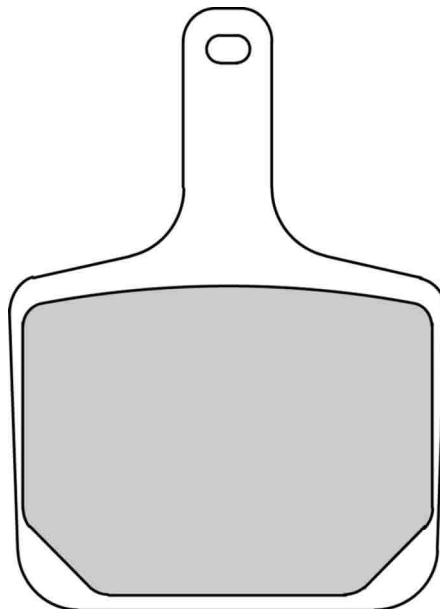
CROSS REFERENCE	
BREMBO	07KA25
CL BRAKES	1142
EBC	FA342
GALFER	FD 319
LUCAS	MCB757
NEWFREN	.FD.0374
SBS	801
VESRAH	VD 441

FDB2189

57.9 x 78.3 x 11.6 mm

POLARIS SNOWMOBILE

REAR



MATERIAL AVAILABILITY						
P	PRP	AG	SG	ST	CP1	XRAC
			✓			

CROSS REFERENCE	
GALFER	FD 296
NEWFREN	.FD.0381

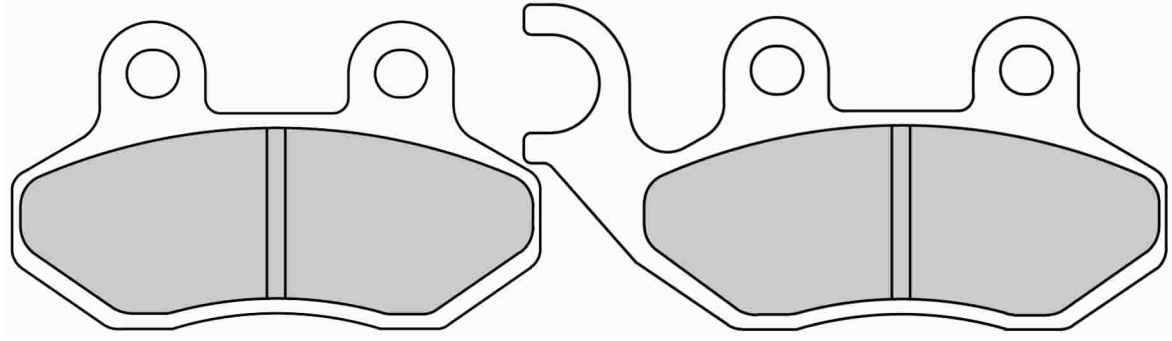
5150

FDB2190

70.2 x 41.5 x 8.2 mm / 85.2 x 43.2 x 8.2 mm

CAGIVA, GARELLI, PGO, SYM

FRONT / REAR



MATERIAL AVAILABILITY

P	PRP	AG	SG	ST	CP1	XRAC
		✓				

EQUIVALENT OE

OEM Sym	45105 T6R 000A
OEM Sym	45105 HKF 000A
OEM Sym	45105 G229 00A
OEM Sym	45105 G22 000AC

CROSS REFERENCE

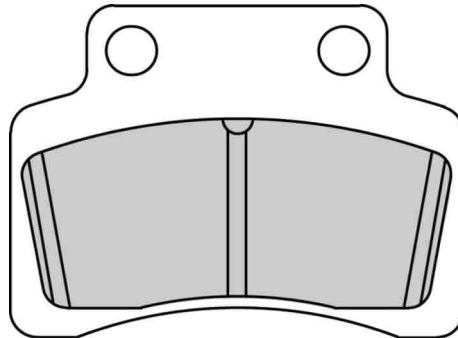
BREMBO	7005
EBC	FA264
EBC	SFA264
GALFER	FD 188
NEWFREN	.FD.0219
SBS	140
SBS	708

FDB2191

60.2 x 44.1 x 9.1 mm

CPI, KYMCO

FRONT



MATERIAL AVAILABILITY

P	PRP	AG	SG	ST	CP1	XRAC
		✓				

CROSS REFERENCE

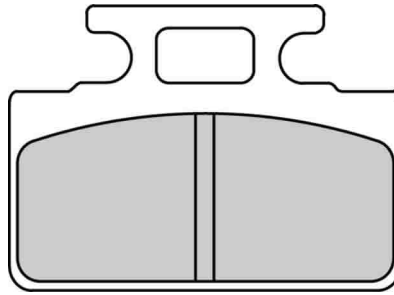
BREMBO	7018
CL BRAKES	3047
EBC	FA235
EBC	SFA235
GALFER	FD 175
NEWFREN	.FD.0223
SBS	723
VESRAH	VD 996

FDB2192

52.0 x 36.8 x 8.2 mm

HONDA, KYMCO, SYM

FRONT / REAR



MATERIAL AVAILABILITY						
P	PRP	AG	SG	ST	CP1	XRAC
		✓				

EQUIVALENT OE #	
OEM Sym	45105 GM9 743A
OEM Sym	45100 A3B 000
OEM Sym	45100 A3B 600
OEM Sym	45100 A7E 000

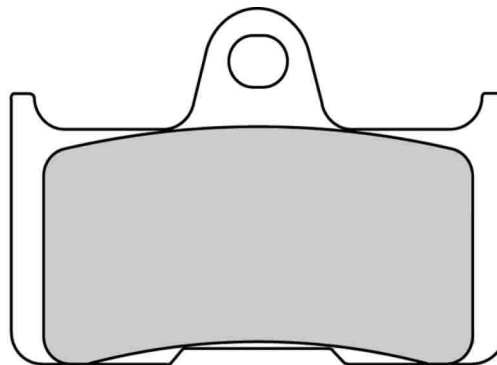
CROSS REFERENCE	
BREMBO	7031
CL BRAKES	2287
EBC	FA151
GALFER	FD 113
NEWFREN	.FD.0139
SBS	618
VESRAH	VD 150

FDB2193

65.8 x 44.7 x 11.4 mm

YAMAHA ATV

REAR



MATERIAL AVAILABILITY						
P	PRP	AG	SG	ST	CP1	XRAC
			✓			

EQUIVALENT OE #	
OEM Yamaha	5KM W0046 00

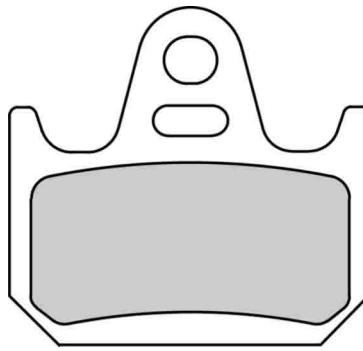
CROSS REFERENCE	
BREMBO	07YA45
EBC	FA344
LUCAS	MCB756
NEWFREN	.FD.0388
SBS	799
VESRAH	VD 270

FDB2194

48.1 x 44.6 x 7.1 mm

YAMAHA

REAR



MATERIAL AVAILABILITY						
P	PRP	AG	SG	ST	CP1	XRAC
!						

EQUIVALENT OE #	
OEM Yamaha	4TW W0046 00

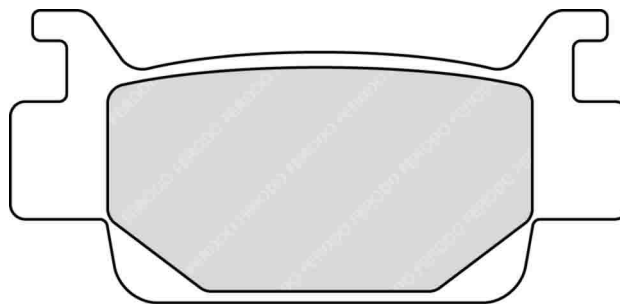
CROSS REFERENCE	
CL BRAKES	2269
EBC	FA162
GALFER	FD 163
NEWFREN	.FD.0395
SBS	659

FDB2195

82.0 x 38.7 x 10.2 mm

HONDA ATV

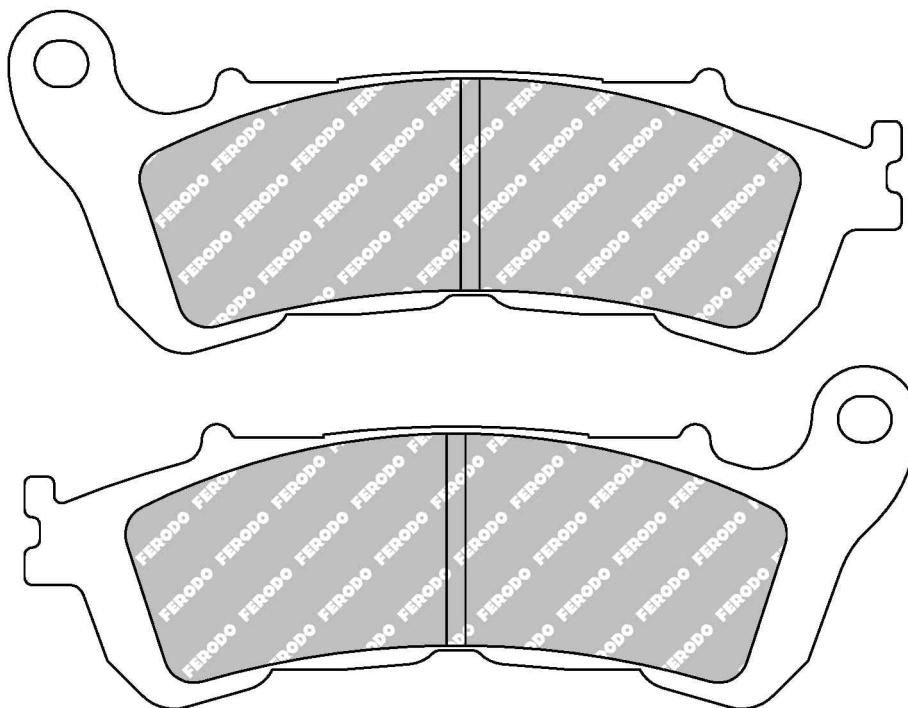
FRONT / REAR



MATERIAL AVAILABILITY						
P	PRP	AG	SG	ST	CP1	XRAC
			✓			

EQUIVALENT OE #	
OEM Honda	06451 HPO A01

CROSS REFERENCE	
BREMBO	07HO58
EBC	FA410
NEWFREN	.FD.0397



ALSO AVAILABLE		
SHAPE	TH. MM	NOTES
FDB2211	9.0	

MATERIAL AVAILABILITY						
P	PRP	AG	SG	ST	CP1	XRAC
		✓		✓		

CROSS REFERENCE	
BREMBO	07HO57
CL BRAKES	1159
EBC	FA388
LUCAS	MCB776
NEWFREN	.FD.0385
SBS	828

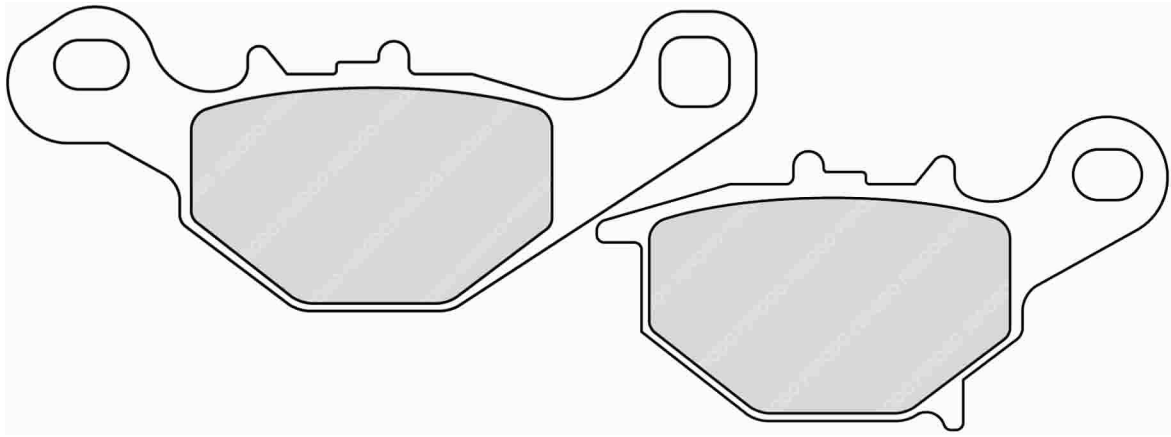
EQUIVALENT OE #	
OEM Honda	06435 MET 651
OEM Honda	06435 MFA D12
OEM Honda	06455 MCW H01
OEM Honda	06455 MCW H02
OEM Honda	06455 MEH 006
OEM Honda	06455 MCS G01
OEM Honda	06455 MCS G02
OEM Honda	06455 MBT D52
OEM Honda	06455 MBT D51
OEM Honda	06455 MBT D52
OEM Honda	06455 MCW H02
OEM Honda	06435 MFA D11
OEM Honda	06435 MFA D12
OEM Suzuki	59101 03810
OEM Suzuki	59101 03820

FDB2197

75.7 x 41.5 x 8.2 mm / 99.2 x 40.2 x 7.5 mm

SUZUKI

REAR



MATERIAL AVAILABILITY						
P	PRP	AG	SG	ST	CP1	XRAC
			✓			

EQUIVALENT OE #	
OEM Suzuki	69100 03880

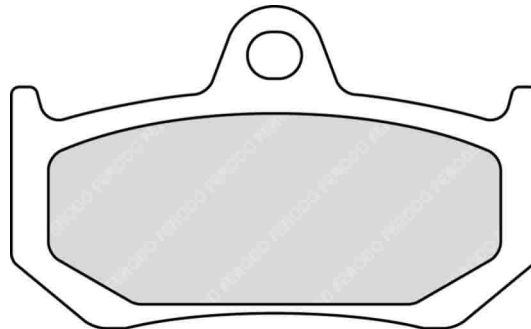
CROSS REFERENCE	
BREMBO	07SU31
CL BRAKES	1152
EBC	FA401
NEWFREN	.FD.0399
SBS	820

FDB2198

69.9 x 42.9 x 7.4 mm

MV AGUSTA

REAR



MATERIAL AVAILABILITY						
P	PRP	AG	SG	ST	CP1	XRAC
				✓		

EQUIVALENT OE #	
OEM MV Agusta	8000 82748

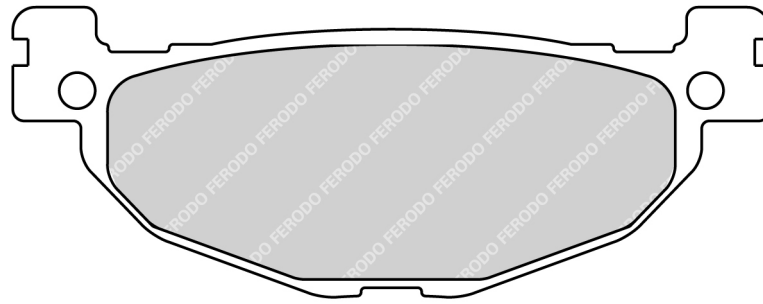
CROSS REFERENCE	
BREMBO	07GR35
EBC	FA320
NEWFREN	.FD.0391
SBS	763
VESRAH	VD 998

FDB2200

100.1 x 38.3 x 12.0 mm

MBK, YAMAHA

REAR



MATERIAL AVAILABILITY						
P	PRP	AG	SG	ST	CP1	XRAC
✓						

EQUIVALENT OE #	
OEM Yamaha	5RU W0046 00
OEM Yamaha	5GM W0046 00
OEM Yamaha	5VU W0046 00
OEM Yamaha	5NR F5811 10
OEM Yamaha	5VU W0046 01
OEM Yamaha	5RU 25806 00

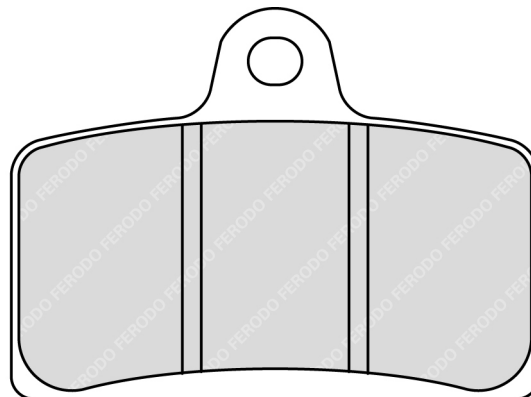
CROSS REFERENCE	
BREMBO	7059
CL BRAKES	3075
EBC	FA408
EBC	SFA408
NEWFREN	.FD.0378
SBS	185
SBS	812

FDB2201

70.0 x 51.7 x 7.5 mm

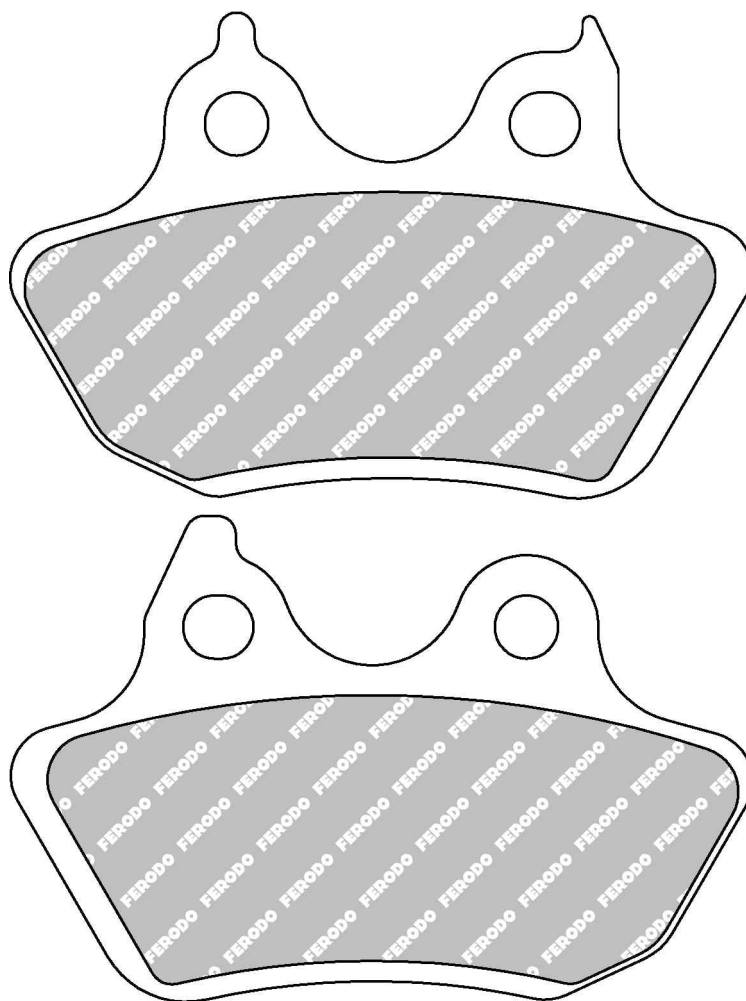
APRILIA, DERBI

FRONT



MATERIAL AVAILABILITY						
P	PRP	AG	SG	ST	CP1	XRAC
				✓		

CROSS REFERENCE	
BREMBO	07GR72
EBC	FA399
LUCAS	MCB780
NEWFREN	.FD.0380
SBS	821



MATERIAL AVAILABILITY						
P	PRP	AG	SG	ST	CP1	XRAC
✓				✓		

EQUIVALENT OE #	
OEM Harley	44082 00C

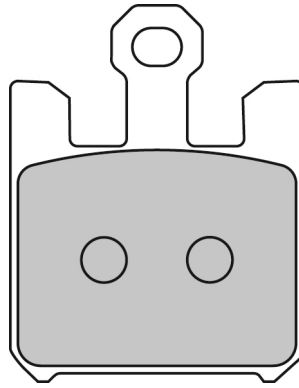
CROSS REFERENCE	
BREMBO	07HD16
EBC	FA400
NEWFREN	.FD.0389
NEWFREN	.FD.0416
OE HARLEY	46721-06
SBS	846
VESRAH	VD 9022

FDB2203

39.0 x 49.9 x 9.3 mm

KAWASAKI, SUZUKI
Set of 4 Pads

FRONT



ALSO AVAILABLE		
SHAPE	TH. MM	NOTES
FDB2164	7.9	

MATERIAL AVAILABILITY						
P	PRP	AG	SG	ST	CP1	XRAC
						✓

EQUIVALENT OE #	
OEM Numbers	Refer to FDB2164

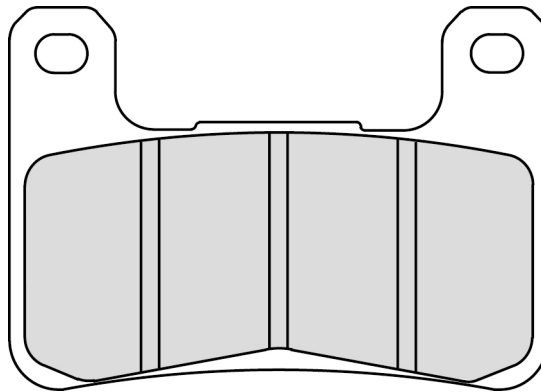
CROSS REFERENCE	
BREMBO	07SU26
CL BRAKES	1110
EBC	FA369/4
GALFER	FD 290
LUCAS	MCB742
NEWFREN	.FD.0408
SBS	788
VESRAH	VD 354

FDB2204

71.7 x 50.3 x 9.3 mm

SUZUKI

FRONT



ALSO AVAILABLE		
SHAPE	TH. MM	NOTES
FDB2178	7.8	

MATERIAL AVAILABILITY						
P	PRP	AG	SG	ST	CP1	XRAC
					✓	✓

EQUIVALENT OE #	
OEM Numbers	Refer to FDB2178

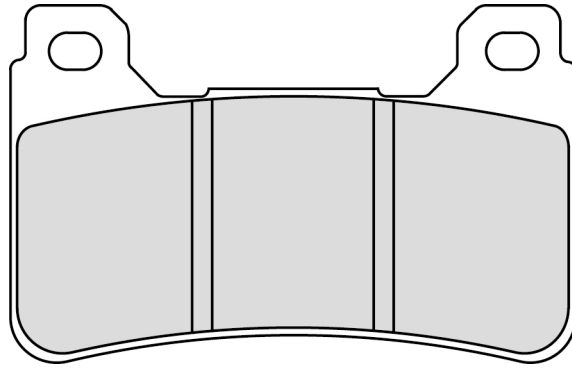
CROSS REFERENCE	
BREMBO	07SU27
CL BRAKES	1133
EBC	FA379
GALFER	FD 325
LUCAS	MCB752
NEWFREN	.FD.0409
SBS	306
VESRAH	VD 355

FDB2205

74.6 x 47.4 x 9.0 mm

HONDA

FRONT



ALSO AVAILABLE		
SHAPE	TH. MM	NOTES
FDB2181	8.0	

MATERIAL AVAILABILITY						
P	PRP	AG	SG	ST	CP1	XRAC
					✓	✓

EQUIVALENT OE #	
OEM Numbers	Refer to FDB2181

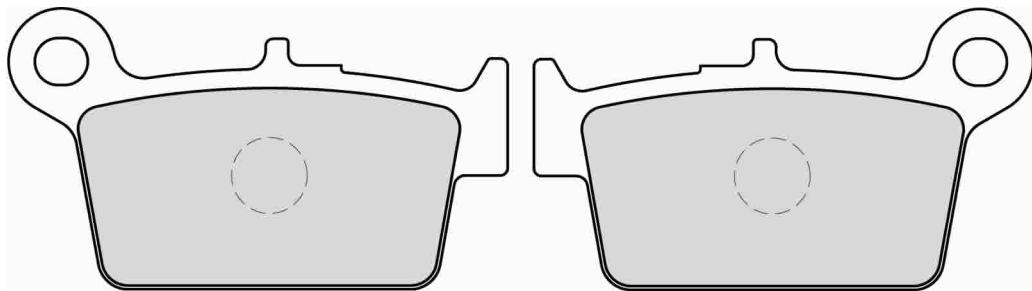
CROSS REFERENCE	
BREMBO	07HO50
CL BRAKES	1134
EBC	FA390
GALFER	FD 326
LUCAS	MCB755
NEWFREN	.FD.0410
SBS	809
VESRAH	VD 170

FDB2206

66.2 x 37.2 x 7.6 mm

BETA

REAR



MATERIAL AVAILABILITY						
P	PRP	AG	SG	ST	CP1	XRAC
✓						

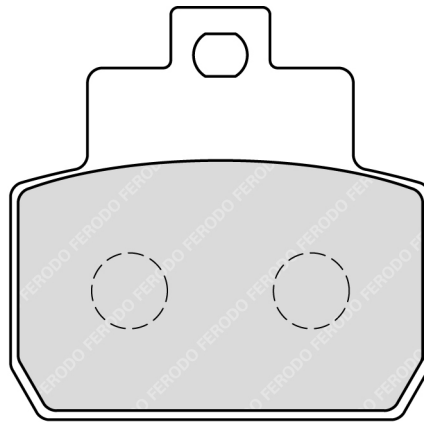
CROSS REFERENCE	
EBC	FA367/2
NEWFREN	.FD.0398
SBS	861

FDB2207

55.7 x 54.5 x 8.0 mm

PIAGGIO

REAR



MATERIAL AVAILABILITY						
P	PRP	AG	SG	ST	CP1	XRAC
		✓				

EQUIVALENT OE #	
OEM Piaggio	647400

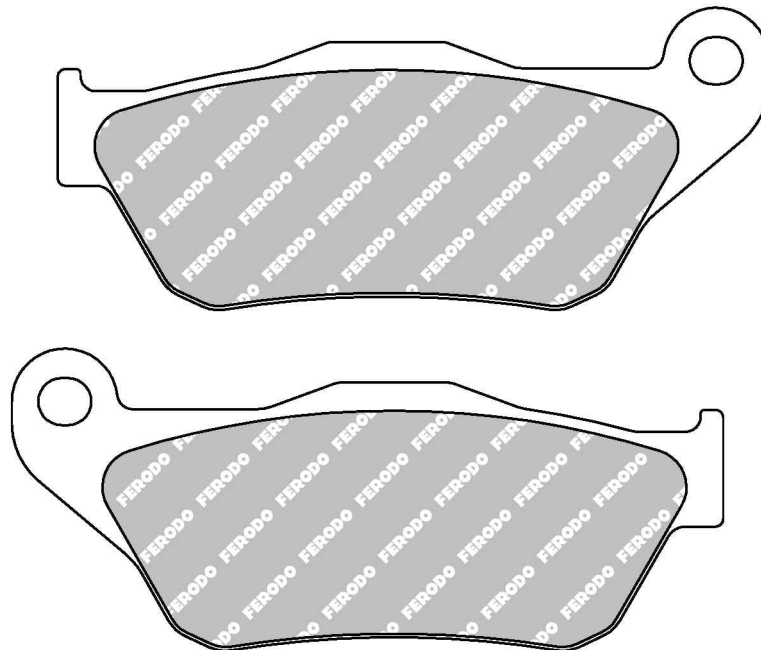
CROSS REFERENCE	
BREMBO	7061
EBC	FA425
EBC	SFA425
NEWFREN	.FD.0394

FDB2208

94.0 x 40.0 x 7.6 mm

YAMAHA

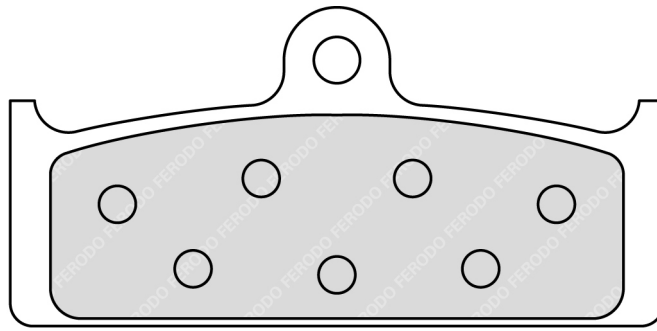
FRONT



MATERIAL AVAILABILITY						
P	PRP	AG	SG	ST	CP1	XRAC
		✓				

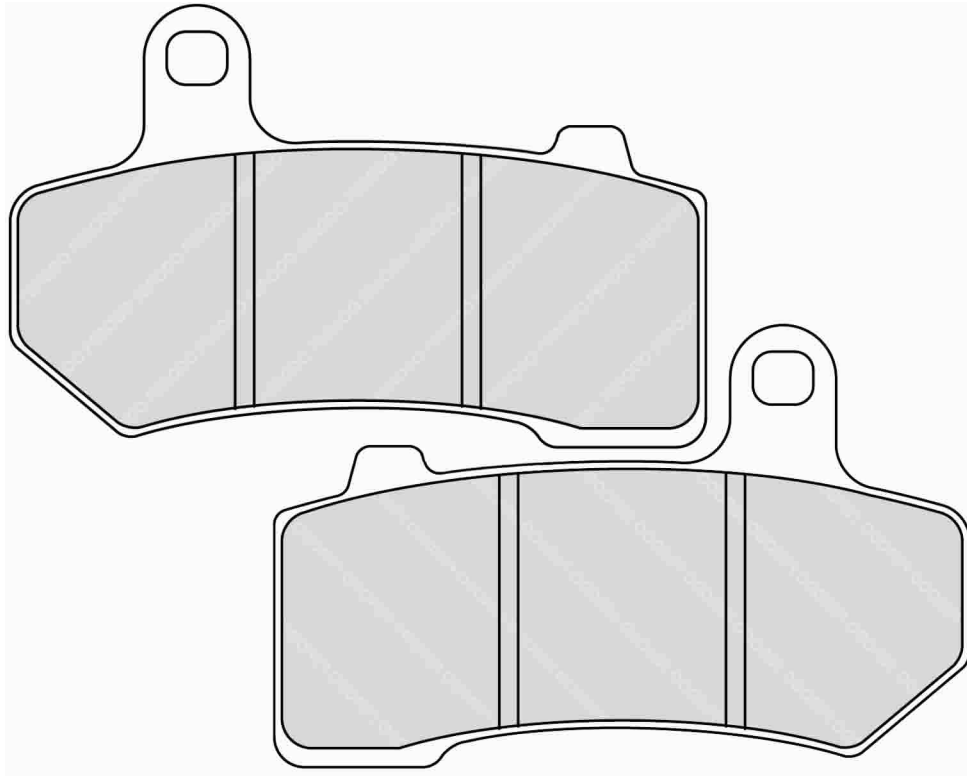
CROSS REFERENCE	
BREMBO	7065
EBC	SFA430
NEWFREN	.FD.0396
SBS	194

5160



MATERIAL AVAILABILITY						
P	PRP	AG	SG	ST	CP1	XRAC
						✓

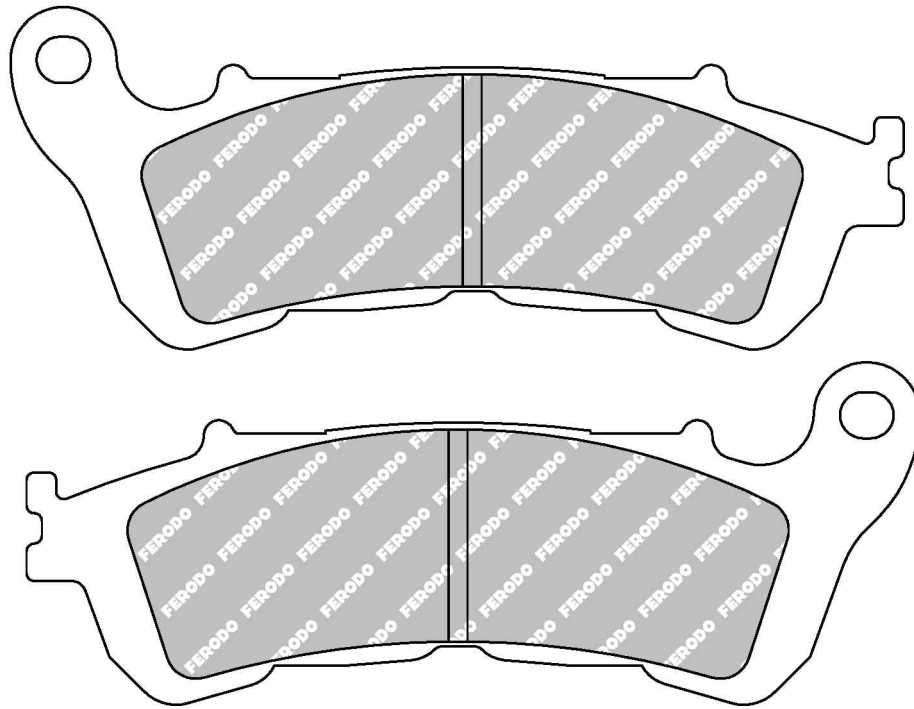
CROSS REFERENCE	
NEWFREN	.FD.0403



MATERIAL AVAILABILITY						
P	PRP	AG	SG	ST	CP1	XRAC
✓				✓		

EQUIVALENT OE #	
OEM Harley	42850 06A
OEM Harley	42897 06
OEM Harley	42850 06B
OEM Harley	42850 06
OEM Harley	41854 08
OEM Harley	41852 08
OEM Harley	42897 08
OEM Harley	428490 6A

CROSS REFERENCE	
BREMBO	07.92.8720
CL BRAKES	1172
DUNLOPAD	962
EBC	FA409
NEWFREN	.FD.0405
SBS	830



ALSO AVAILABLE		
SHAPE	TH. MM	NOTES
FDB2196	8.4	

MATERIAL AVAILABILITY						
P	PRP	AG	SG	ST	CP1	XRAC
		✓				

EQUIVALENT OE #	
OEM Honda	06455 KSV J04

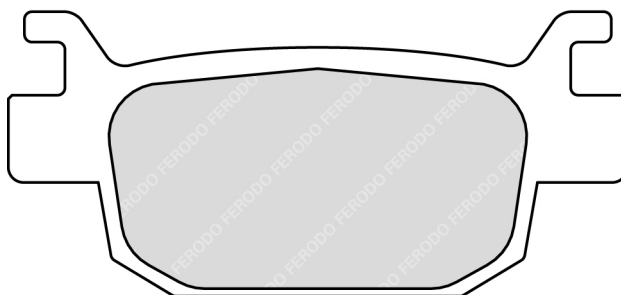
CROSS REFERENCE	
BREMBO	7063
CL BRAKES	1159
EBC	FA388
LUCAS	MCB776
NEWFREN	.FD.0400

FDB2212

81.8 x 37.7 x 9.6 mm

HONDA

REAR



MATERIAL AVAILABILITY						
P	PRP	AG	SG	ST	CP1	XRAC
		✓		✓		

EQUIVALENT OE #	
OEM Honda	06435 KTW 901
OEM Honda	06435 KRJ 791

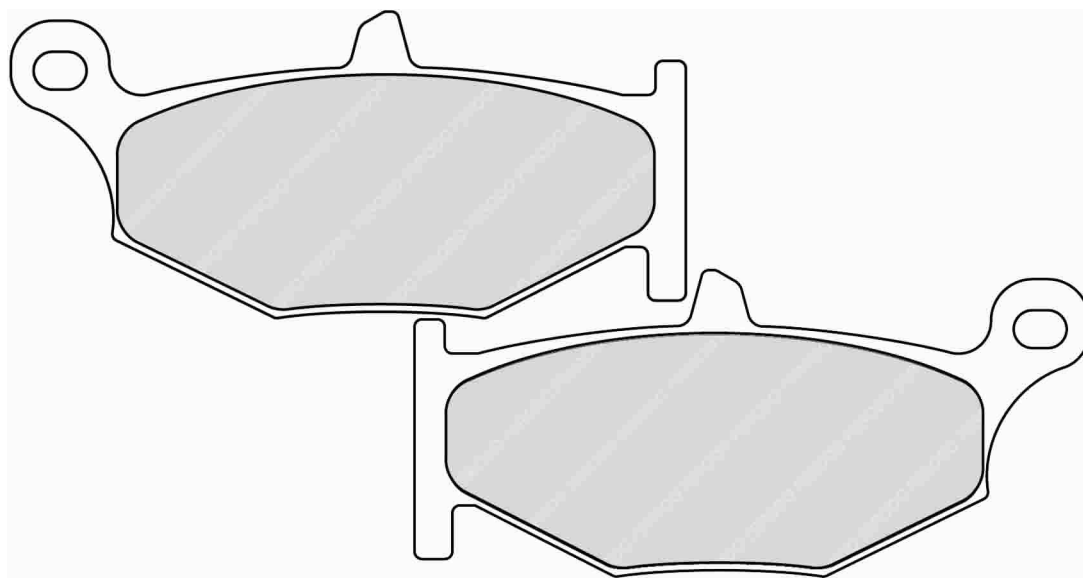
CROSS REFERENCE	
BREMBO	7064
CL BRAKES	3083
EBC	FA415
EBC	SFA415
NEWFREN	.FD.0401

FDB2213

89.4 x 40.7 x 9.8 mm

SUZUKI

REAR



MATERIAL AVAILABILITY						
P	PRP	AG	SG	ST	CP1	XRAC
✓				✓		

EQUIVALENT OE #	
OEM Suzuki	69101 44830
OEM Suzuki	69100 15830
OEM Suzuki	69101 44810
OEM Suzuki	69101 44820
OEM Suzuki	69100 15820

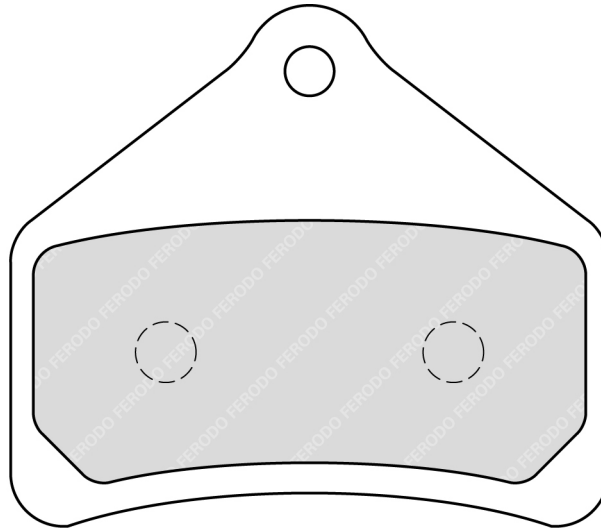
CROSS REFERENCE	
BREMBO	07SU32
CL BRAKES	1163
EBC	FA419
LUCAS	MCB783
NEWFREN	.FD.0402

FDB2214

79.1 x 69.1 x 10.3 mm

ARCTIC CAT ATV

FRONT



MATERIAL AVAILABILITY						
P	PRP	AG	SG	ST	CP1	XRAC
			!			

CROSS REFERENCE	
NEWFREN	.FD.0442

FDB2215

35.2 x 39.7 x 8.5 mm

Set of 4 Pads



ALSO AVAILABLE		
SHAPE	TH. MM	NOTES
FDB2120	7.6	

MATERIAL AVAILABILITY						
P	PRP	AG	SG	ST	CP1	XRAC
					✓	✓

EQUIVALENT OE #	
OEM Numbers	Refer to FDB2120

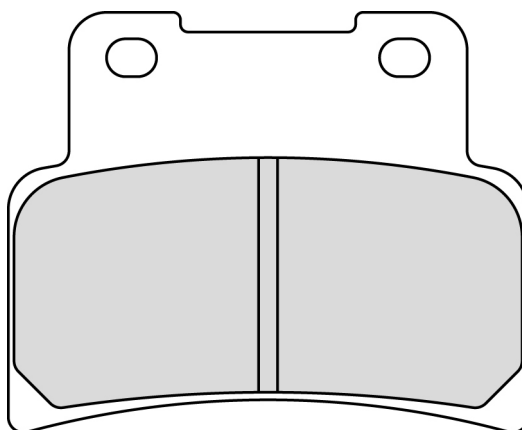
CROSS REFERENCE	
BREMBO	07BB0510
CL BRAKES	1033
EBC	FA322
LUCAS	MCB721
NEWFREN	.FD.0413
SBS	762

FDB2216

68.6 x 55.5 x 9.2 mm

APRILIA

FRONT



MATERIAL AVAILABILITY						
P	PRP	AG	SG	ST	CP1	XRAC
✓				✓	✓	

EQUIVALENT OE #	
OEM Aprilia	8133943

CROSS REFERENCE	
BREMBO	07GR7707
CL BRAKES	1187
EBC	FA432
LUCAS	MCB786
NEWFREN	.FD.0404
SBS	844

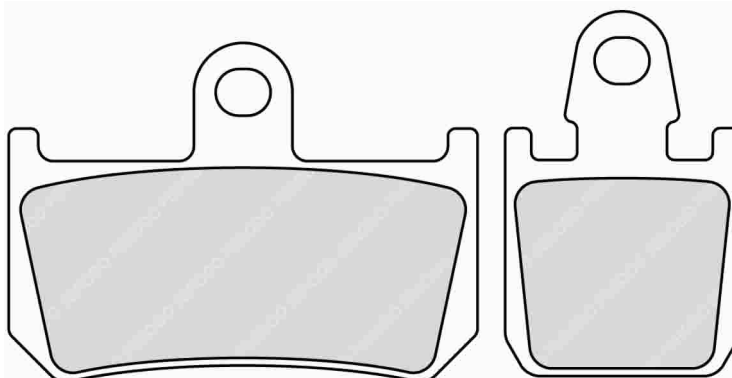
FDB2217

62.1 x 44.6 x 8.9 mm / 31.0 x 48.1 x 8.9 mm

YAMAHA

Set of 4 Pads

FRONT



MATERIAL AVAILABILITY						
P	PRP	AG	SG	ST	CP1	XRAC
				✓	✓	✓

EQUIVALENT OE #	
OEM Yamaha	4C8 W0045 00

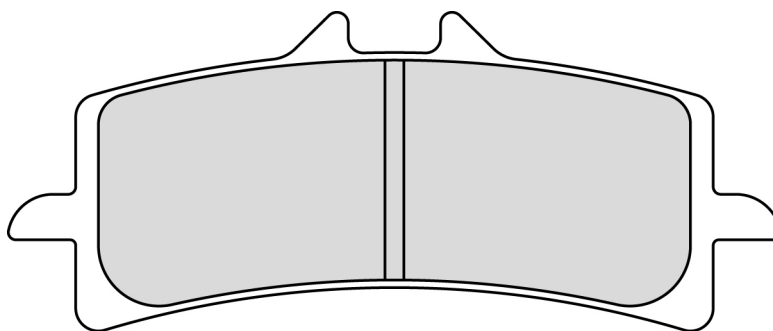
CROSS REFERENCE	
BREMBO	07YA46
CL BRAKES	1180
EBC	FA442
LUCAS	MCB795
NEWFREN	.FD.0407
SBS	839

FDB2218

102.2 x 42.0 x 8.6 mm

APRILIA, BIMOTA, BMW, DUCATI, KTM, MOTO GUZZI, MV AGUSTA, SUZUKI, TRIUMPH

FRONT



ALSO AVAILABLE		
SHAPE	TH. MM	NOTES
FDB2260	7.5	

MATERIAL AVAILABILITY						
P	PRP	AG	SG	ST	CP1	XRAC
				✗	✓	✓

EQUIVALENT OE #	
OEM BMW	34 11 7 710 743
OEM Ducati	61340791A
OEM KTM	69013030000
OEM MV Agusta	8000 B1421
OEM MV Agusta	8000 B1601

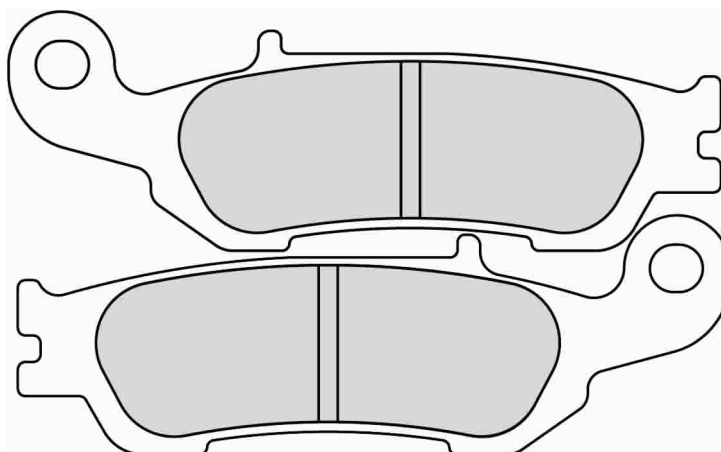
CROSS REFERENCE	
BREMBO	07BB3050
CL BRAKES	1185
EBC	FA447
LUCAS	MCB792
NEWFREN	.FD.0415
SBS	841

FDB2219

94.1 x 31.5 x 7.2 mm

YAMAHA

FRONT



MATERIAL AVAILABILITY						
P	PRP	AG	SG	ST	CP1	XRAC
			✓			

EQUIVALENT OE #	
OEM Yamaha	5XC W0045 00

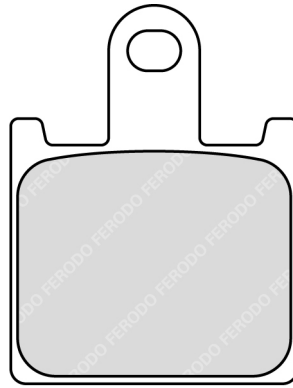
CROSS REFERENCE	
BREMBO	07YA47
EBC	FA450
LUCAS	MCB791
NEWFREN	.FD.0411
SBS	840

FDB2220

37.9 x 50.0 x 9.5 mm

KAWASAKI
Set of 4 Pads

FRONT



MATERIAL AVAILABILITY						
P	PRP	AG	SG	ST	CP1	XRAC
				✓	✓	✓

EQUIVALENT OE #	
OEM Kawasaki	43082 0071
OEM Kawasaki	43082 0053
OEM Kawasaki	43082 0104
OEM Kawasaki	43082 0072

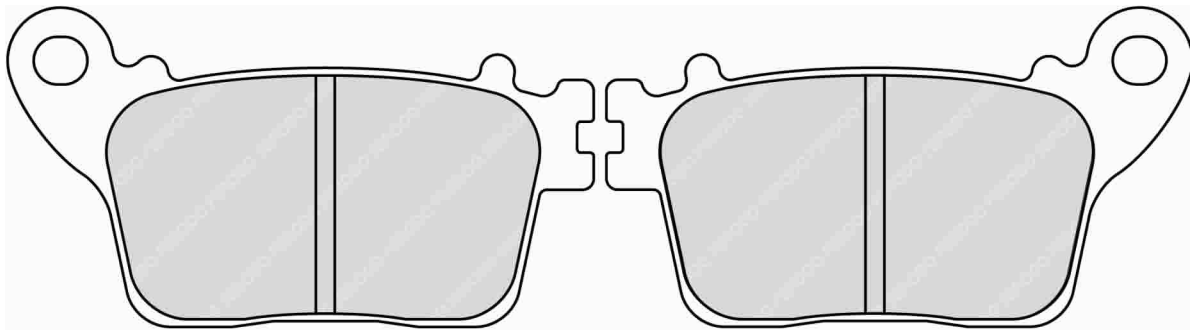
CROSS REFERENCE	
BREMBO	07KA28
CL BRAKES	1177
EBC	FA417/4
LUCAS	MCB789
NEWFREN	.FD.0419
SBS	838

FDB2221

76.6 x 42.1 x 8.9 mm

HONDA, KAWASAKI, SUZUKI

REAR



MATERIAL AVAILABILITY						
P	PRP	AG	SG	ST	CP1	XRAC
✓				✓		

EQUIVALENT OE #	
OEM Honda	06435 MEL D21
OEM Honda	06435 MEL D22

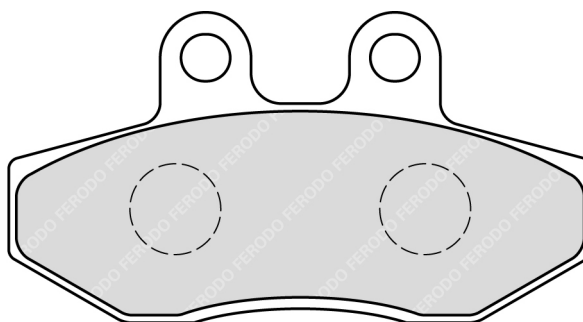
CROSS REFERENCE	
BREMBO	07HO59
CL BRAKES	1174
EBC	FA436
LUCAS	MCB785
NEWFREN	.FD.0412
SBS	834
VESRAH	VD 359

FDB2224

77.2 x 41.2 x 9.0 mm

YAMAHA

FRONT



MATERIAL AVAILABILITY						
P	PRP	AG	SG	ST	CP1	XRAC
✓						

CROSS REFERENCE	
BREMBO	7068
EBC	FA393
EBC	SFA393
NEWFREN	.FD.0414
SBS	823

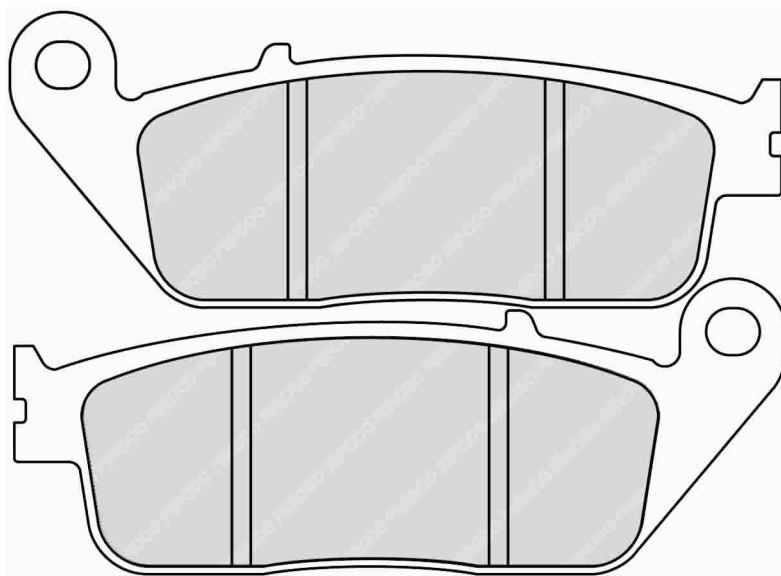
EQUIVALENT OE #	
OEM Yamaha	5NW W0045 00 (until 2010)
OEM Yamaha	4P9 W0045 00 (from 2011)

FDB2225

102.1 x 39.0 x 10.3 mm

KYMCO

FRONT / REAR



MATERIAL AVAILABILITY						
P	PRP	AG	SG	ST	CP1	XRAC
		✓				

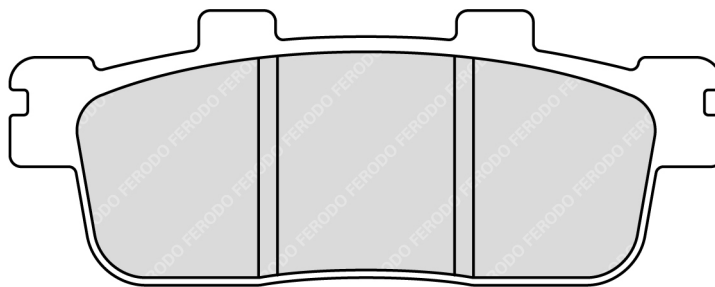
CROSS REFERENCE	
BREMBO	07HO3405
EBC	FA142
LUCAS	MCB631
NEWFREN	.FD.0406
SBS	627

FDB2226

94.1 x 36.2 x 10.2 mm

KYMCO, SYM

FRONT / REAR



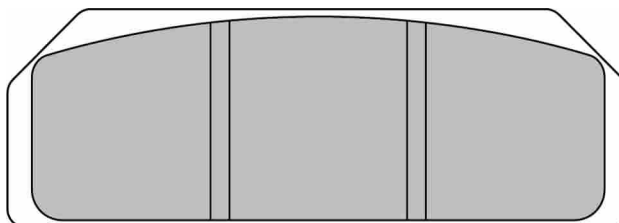
MATERIAL AVAILABILITY						
P	PRP	AG	SG	ST	CP1	XRAC
		✓				

EQUIVALENT OE #	
OEM Kymco	43105 LDH1 E00

CROSS REFERENCE	
BREMBO	7069
EBC	FA427
EBC	SFA607
NEWFREN	.FD.0417
OEM Kymco	00156175
OEM SYM	43105-HMA-000A
OEM SYM	43108-HMA-000A
SBS	195
SBS	201
SBS	847

FDB2228

82.2 x 28.8 x 9.5 mm



MATERIAL AVAILABILITY						
P	PRP	AG	SG	ST	CP1	XRAC
					✓	✓

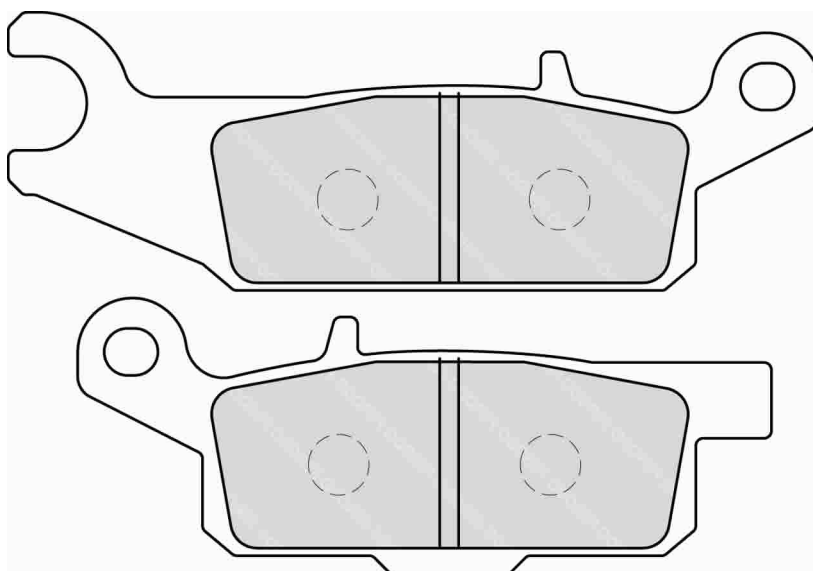
CROSS REFERENCE	
BREMBO	07.8354.24
EBC	GFA611HH
SBS	845

FDB2230

107.4 x 36.7 x 8.0 mm / 91.7 x 36.5 x 8.0 mm

YAMAHA ATV

FRONT



MATERIAL AVAILABILITY						
P	PRP	AG	SG	ST	CP1	XRAC
			✓			

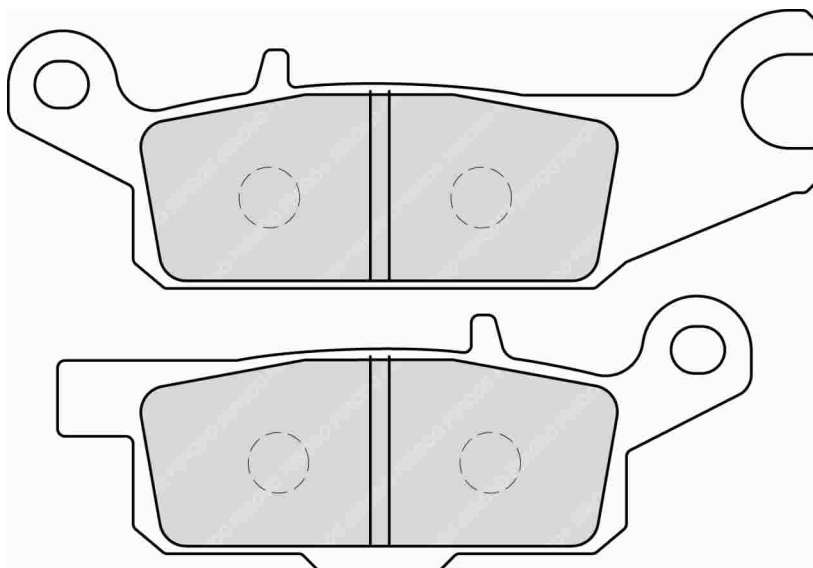
CROSS REFERENCE	
BREMBO	07YA48
EBC	FA444
NEWFREN	.FD.0429
SBS	849

FDB2231

107.4 x 36.7 x 8.0 mm / 91.7 x 36.5 x 8.0 mm

YAMAHA ATV

FRONT



MATERIAL AVAILABILITY						
P	PRP	AG	SG	ST	CP1	XRAC
			✓			

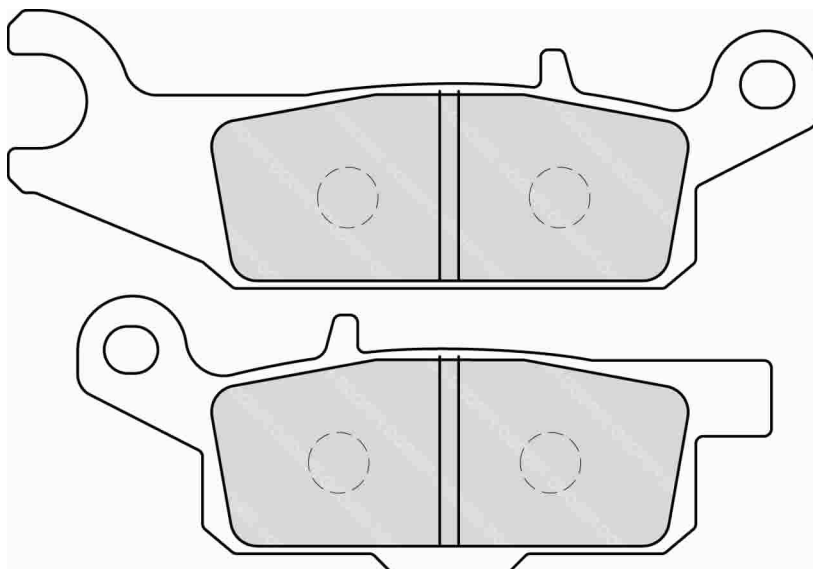
CROSS REFERENCE	
BREMBO	07YA49
EBC	FA443
NEWFREN	.FD.0427
NEWFREN	.FD.0430
SBS	850

FDB2232

107.4 x 36.7 x 9.0 mm / 91.7 x 36.5 x 9.0 mm

YAMAHA ATV

REAR



MATERIAL AVAILABILITY						
P	PRP	AG	SG	ST	CP1	XRAC
			✓			

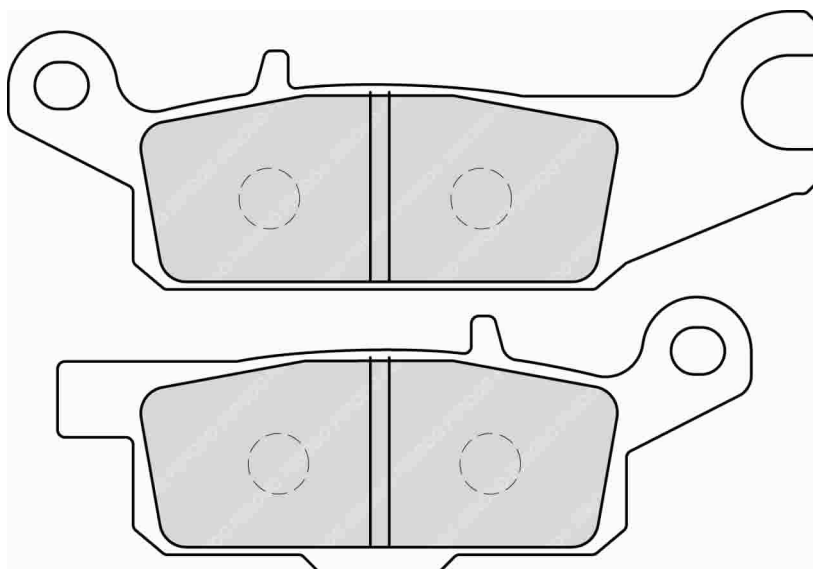
CROSS REFERENCE	
BREMBO	07YA50
EBC	FA446
NEWFREN	.FD.0428
NEWFREN	.FD.0430
SBS	851

FDB2233

107.4 x 36.7 x 9.0 mm / 91.7 x 36.5 x 9.0 mm

YAMAHA ATV

REAR



MATERIAL AVAILABILITY						
P	PRP	AG	SG	ST	CP1	XRAC
			✓			

CROSS REFERENCE	
BREMBO	07YA51
EBC	FA445
NEWFREN	.FD.0428
SBS	852

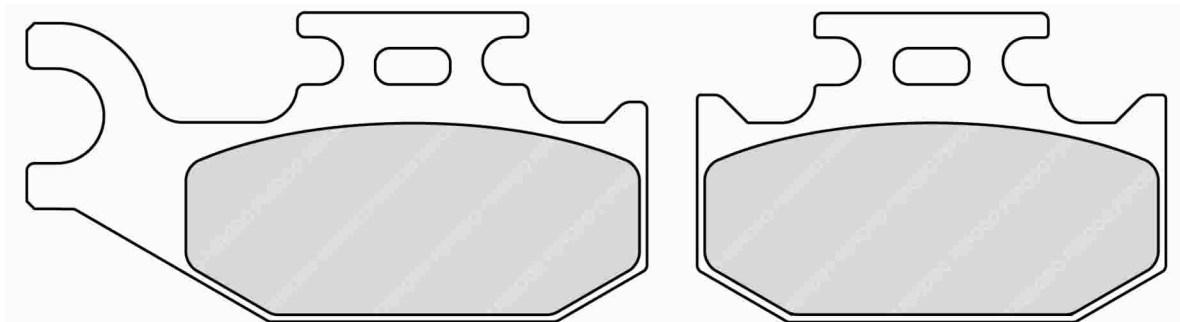
5172

FDB2235

62.1 x 40.9 x 9.4 mm / 82.2 x 40.9 x 9.4 mm

YAMAHA ATV

REAR



MATERIAL AVAILABILITY						
P	PRP	AG	SG	ST	CP1	XRAC
			✓			

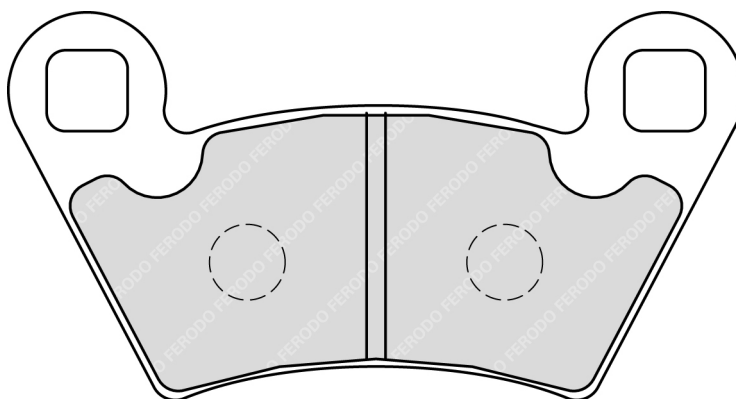
CROSS REFERENCE	
BREMBO	07GR50
CL BRAKES	1102
EBC	FA428
LUCAS	MCB723

FDB2236

97.1 x 51.2 x 7.7 mm

POLARIS ATV

FRONT / REAR



MATERIAL AVAILABILITY						
P	PRP	AG	SG	ST	CP1	XRAC
			✓			

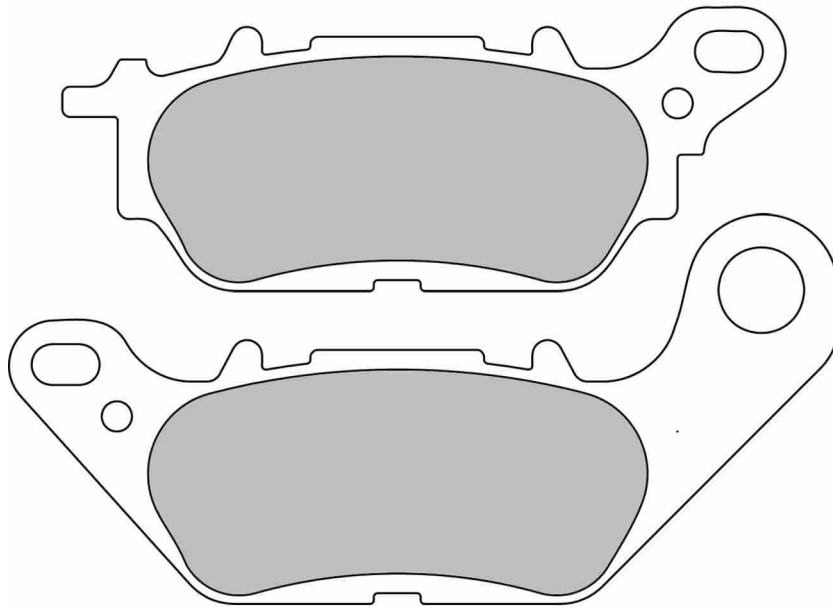
CROSS REFERENCE	
BREMBO	07PO07
EBC	FA354
SBS	800
VESRAH	VD 9024

FDB2238

95.8 x 37.6 x 8.3 mm / 109.8 x 51.5 x 8.3 mm

YAMAHA

FRONT



MATERIAL AVAILABILITY						
P	PRP	AG	SG	ST	CP1	XRAC
✓		✓				

CROSS REFERENCE	
EBC	FA464
NEWFREN	.FD.0437
SBS	858

EQUIVALENT OE #	
OEM Yamaha	4S5 W0045 00
OEM Yamaha	4C9 W0045 00

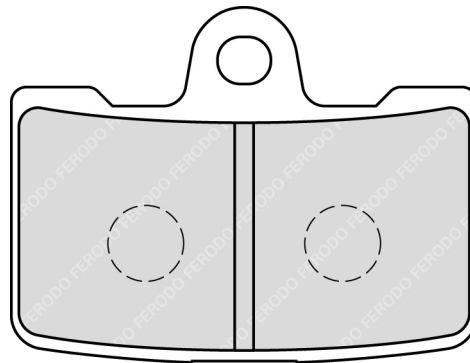
FDB2240

61.6 x 46.6 x 7.4 mm

BUELL

Set of 4 Pads

FRONT



MATERIAL AVAILABILITY						
P	PRP	AG	SG	ST	CP1	XRAC
				✓		✉

CROSS REFERENCE	
EBC	FA454/4
NEWFREN	.FD.0438
SBS	856

EQUIVALENT OE #	
OEM Buell	H0300 1AMA

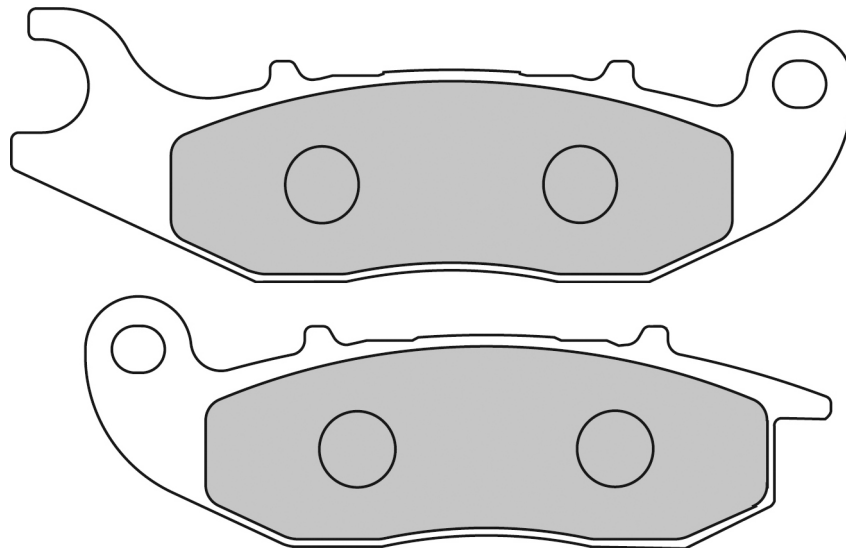
5174

FDB2242

111.4 x 36.3 x 7.6 mm / 98.8 x 33.3 x 7.6 mm

AJP, DERBI, FANTIC, HONDA, RIEJU, SCORPA

FRONT



MATERIAL AVAILABILITY						
P	PRP	AG	SG	ST	CP1	XRAC
✓		✓				

EQUIVALENT OE #	
OEM Derbi	864342
OEM Derbi	865527

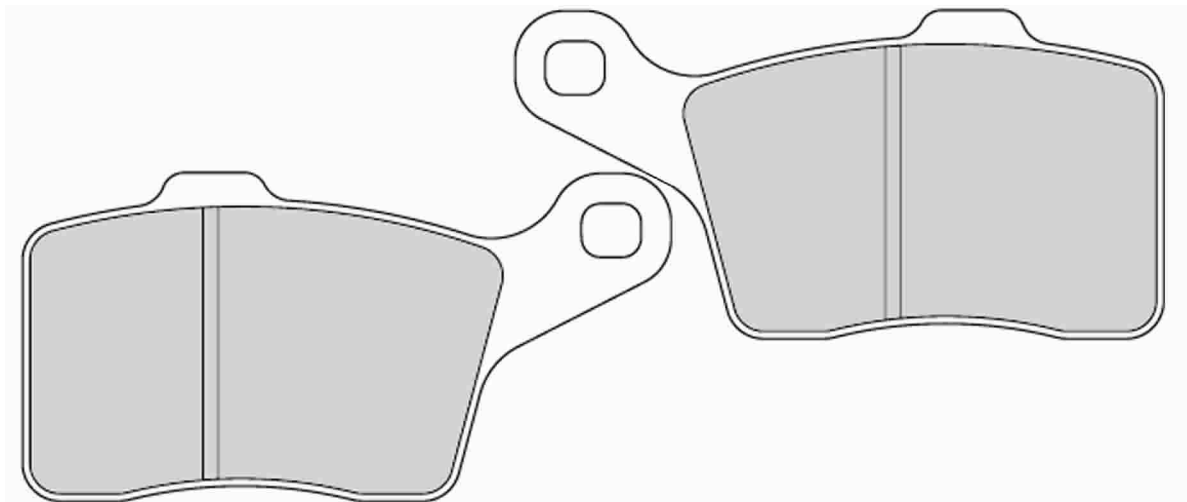
CROSS REFERENCE	
EBC	FA465
NEWFREN	.FD.0444
SBS	859

FDB2243

86.2 x 43.5 x 10.0 mm

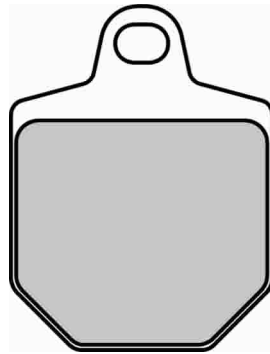
SKI DOO SNOWMOBILE

FRONT



MATERIAL AVAILABILITY						
P	PRP	AG	SG	ST	CP1	XRAC
⚠			✓		✉	

CROSS REFERENCE	
NEWFREN	.FD.0448



MATERIAL AVAILABILITY						
P	PRP	AG	SG	ST	CP1	XRAC
				✔		✉

EQUIVALENT OE #	
OEM KTM	59413030000

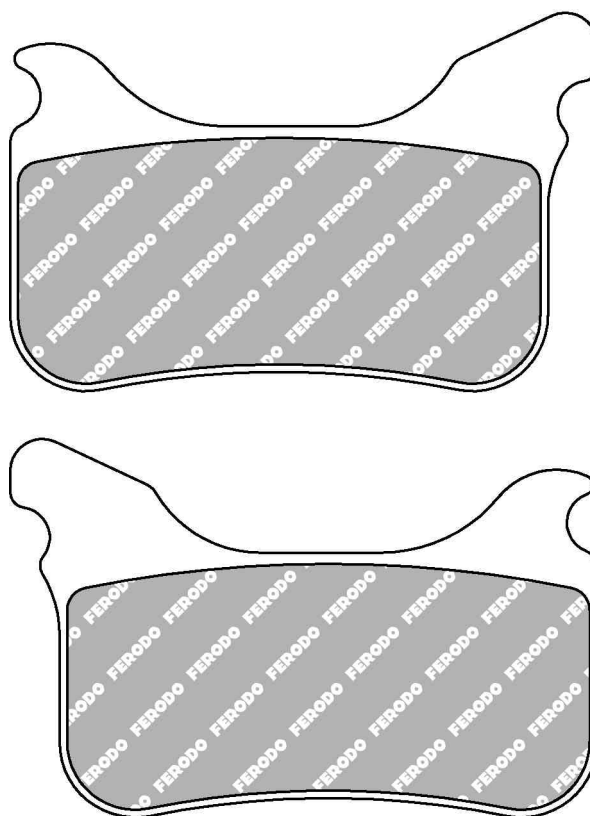
CROSS REFERENCE	
BREMBO	07GR76
EBC	FA433/4
LUCAS	MCB794
NEWFREN	.FD.0363
SBS	843

FDB2245

76.7 x 49.7 x 8.3 mm

APRILIA, HUSABERG, KTM

FRONT



MATERIAL AVAILABILITY						
P	PRP	AG	SG	ST	CP1	XRAC
				✓		

EQUIVALENT OE #	
OEM Aprilia	854972

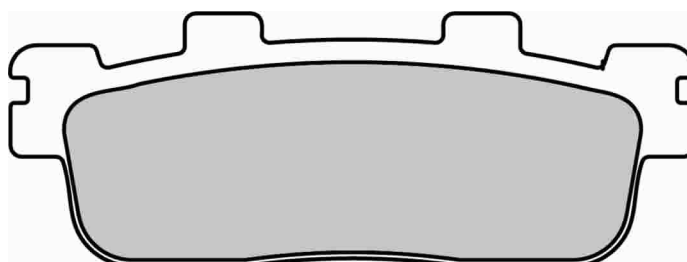
CROSS REFERENCE	
EBC	FA405
EBC	MXS405
SBS	842

FDB2248

90.1 x 33.3 x 9.8 mm

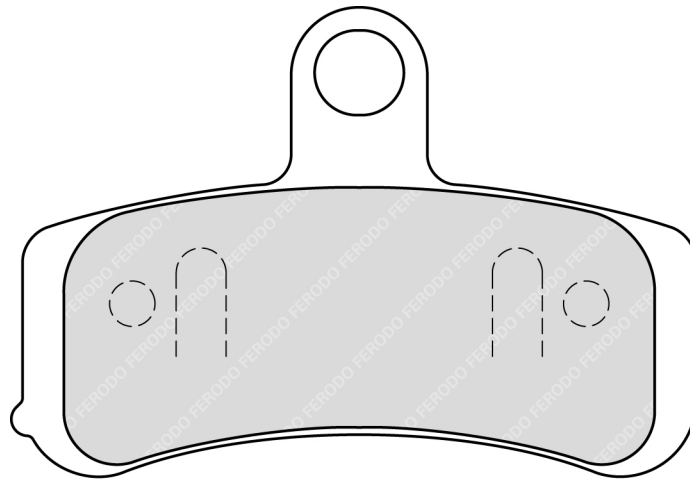
KYMCO

REAR



MATERIAL AVAILABILITY						
P	PRP	AG	SG	ST	CP1	XRAC
		✓				

CROSS REFERENCE	
EBC	SFA498
NEWFREN	FD.0460
OEM KYMCO	00143071
SBS	204



MATERIAL AVAILABILITY						
P	PRP	AG	SG	ST	CP1	XRAC
				✓		

EQUIVALENT OE #	
OEM Harley	44082 08

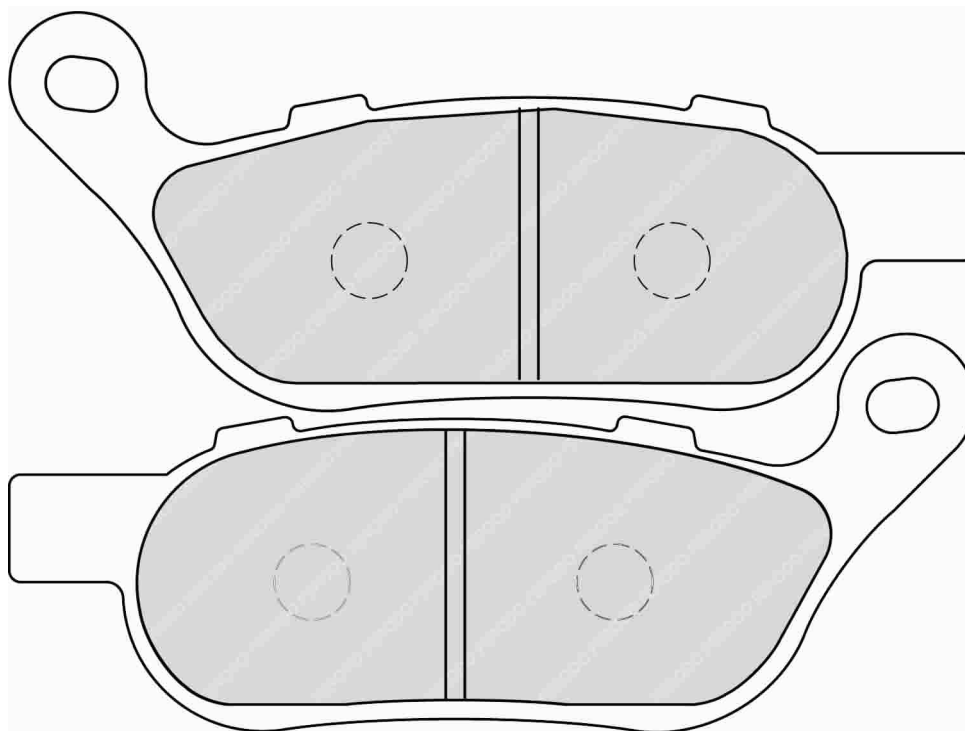
CROSS REFERENCE	
EBC	FA457
NEWFREN	.FD.0443
SBS	853

FDB2251

127.6 x 52.6 x 7.4 mm

HARLEY DAVIDSON

REAR



MATERIAL AVAILABILITY						
P	PRP	AG	SG	ST	CP1	XRAC
				✓		

EQUIVALENT OE #	
OEM Harley	42298 08

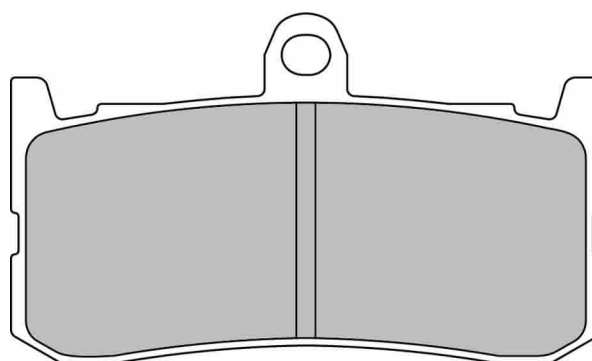
CROSS REFERENCE	
DUNLOPAD	DP987
EBC	FA458
NEWFREN	.FD.0436
SBS	854
VESRAH	VD 9035

FDB2252

78.5 x 46.5 x 7.5 mm

TRIUMPH

FRONT



MATERIAL AVAILABILITY						
P	PRP	AG	SG	ST	CP1	XRAC
				✓		✓

EQUIVALENT OE #	
OEM Triumph	T2021221

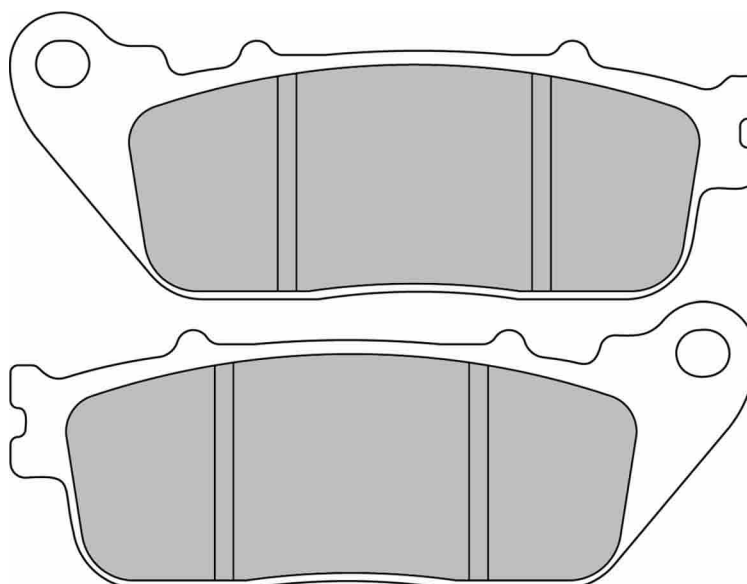
CROSS REFERENCE	
EBC	FA491
SBS	864

FDB2253

99.3 x 38.6 x 8.9 mm

HONDA

REAR



MATERIAL AVAILABILITY						
P	PRP	AG	SG	ST	CP1	XRAC
				✓		

CROSS REFERENCE	
EBC	FA488
NEWFREN	.FD.0446
SBS	862

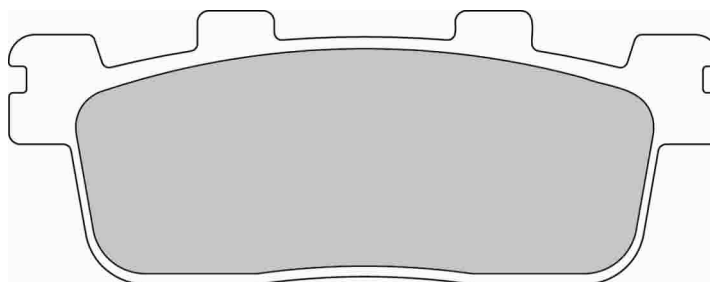
EQUIVALENT OE #	
OEM Honda	06435 MFN D01

FDB2254

94.1 x 36.2 x 10.0 mm

KYMCO

REAR



MATERIAL AVAILABILITY						
P	PRP	AG	SG	ST	CP1	XRAC
		✓				

CROSS REFERENCE	
NEWFREN	.FD.0445
OE Kymco	43105-LDH-E00
SBS	195
SBS	863

FDB2255

35.2 x 39.7 x 9.0 mm

BMW
Set of 4 Pads

FRONT



MATERIAL AVAILABILITY						
P	PRP	AG	SG	ST	CP1	XRAC
				✓		✓

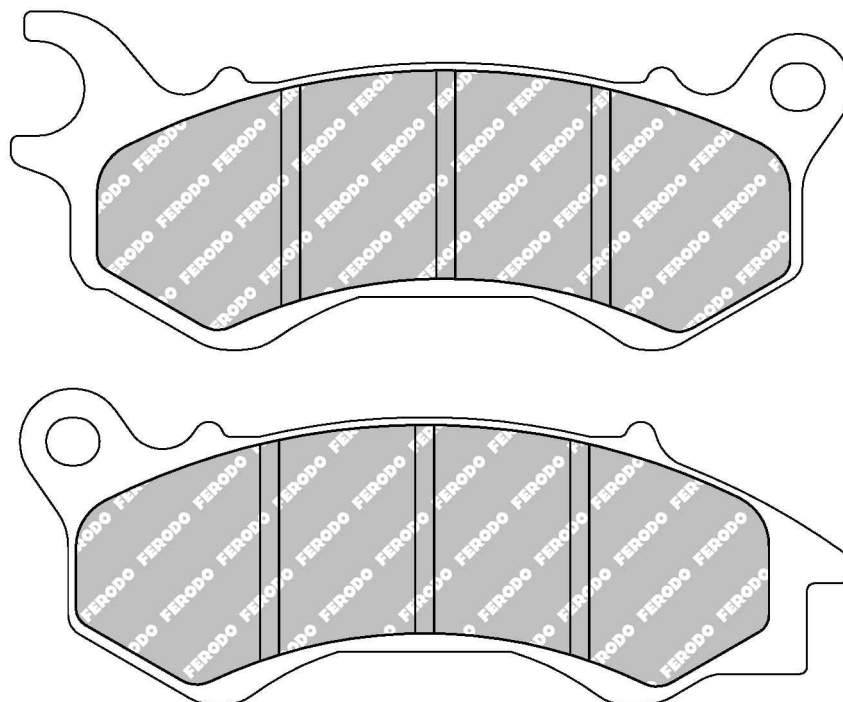
CROSS REFERENCE	
EBC	FA604/4

FDB2256

111.0 x 44.7 x 8.0 mm / 109.5 x 41.7 x 8.0 mm

HONDA

FRONT



MATERIAL AVAILABILITY						
P	PRP	AG	SG	ST	CP1	XRAC
		✓				

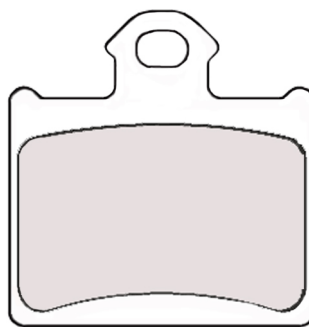
CROSS REFERENCE	
EBC	FA603
EBC	SFA603
NEWFREN	.FD.0467
OE Honda	06455-GFM-D31
OE Honda	06455-KWN-641
OE Honda	06455-KZL-861
SBS	205

FDB2257

41.0 x 42.4 x 7.3 mm

HUSQVARNA, KTM

REAR



MATERIAL AVAILABILITY						
P	PRP	AG	SG	ST	CP1	XRAC
			✓			

CROSS REFERENCE	
EBC	FA602
SBS	872

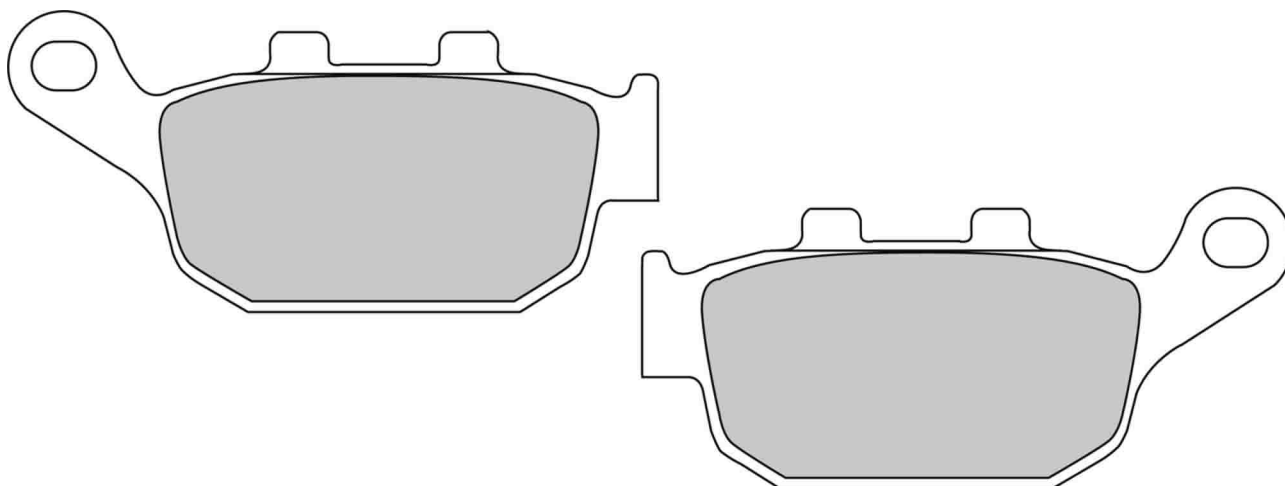
EQUIVALENT OE #	
OE Ktm	47013090300

FDB2258

86.0 x 40.0 x 8.9 mm

KAWASAKI, SUZUKI

REAR

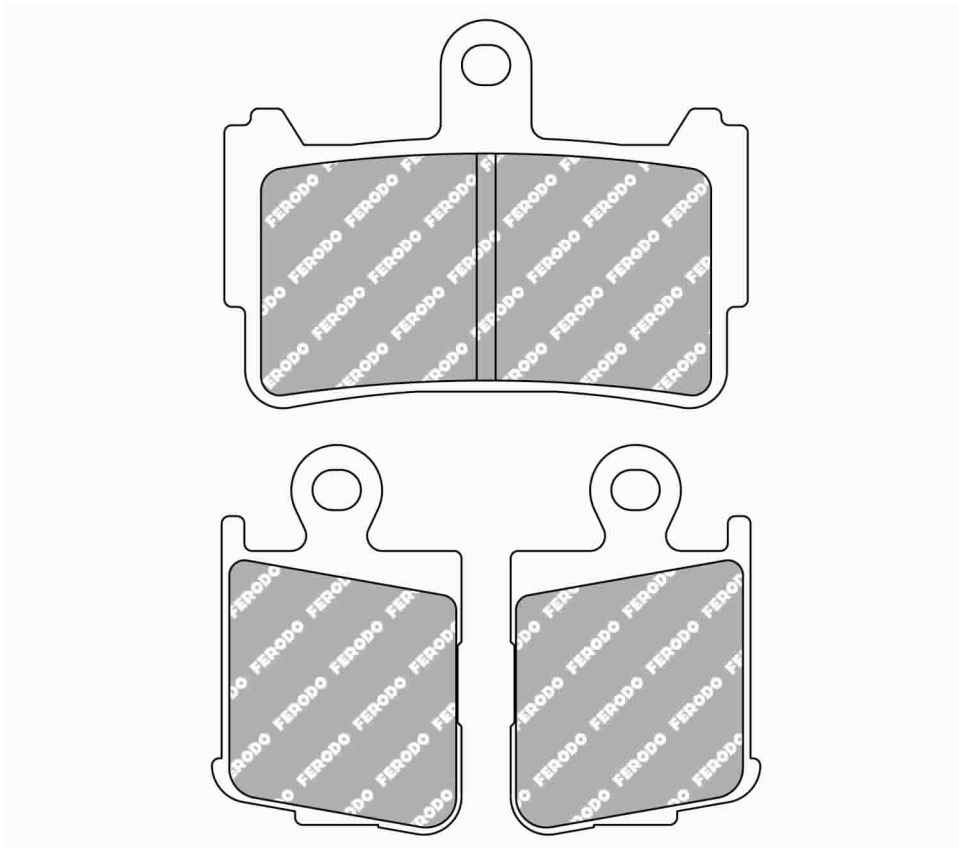


ALSO AVAILABLE		
SHAPE	TH. MM	NOTES
FDB531	10.6	

CROSS REFERENCE	
EBC	FA496

MATERIAL AVAILABILITY						
P	PRP	AG	SG	ST	CP1	XRAC
				✓		

EQUIVALENT OE #	
OEM Suzuki	69101-44850



MATERIAL AVAILABILITY						
P	PRP	AG	SG	ST	CP1	XRAC
				✓		

CROSS REFERENCE	
EBC	FA499/4HH
SBS	869

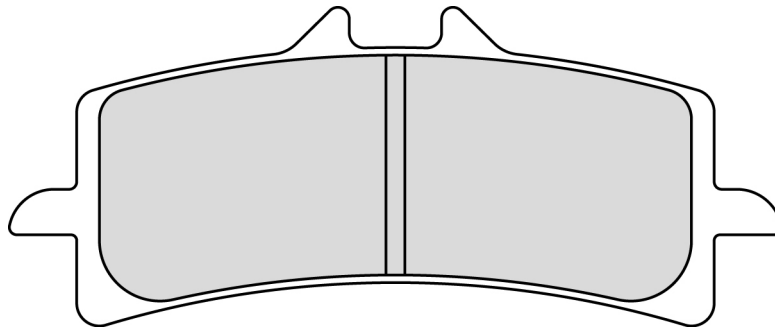
EQUIVALENT OE #	
OE Honda	6455-MGE-006

FDB2260

102.2 x 42.0 x 7.5 mm

APRILIA, BIMOTA, BMW, DUCATI, HUSQVARNA, KTM, MOTO GUZZI, MV AGUSTA, SUZUKI, TRIUMPH

FRONT



ALSO AVAILABLE		
SHAPE	TH. MM	NOTES
FDB2218	8.6	

CROSS REFERENCE	
SBS	841

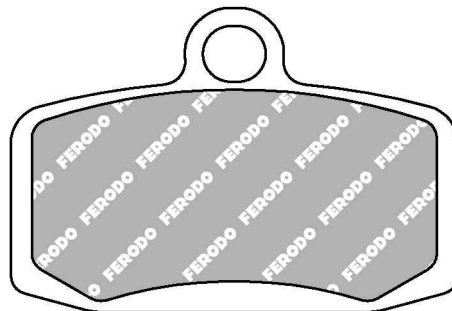
MATERIAL AVAILABILITY						
P	PRP	AG	SG	ST	CP1	XRAC
				✓		

FDB2262

59.0 x 40.2 x 7.7 mm

KTM

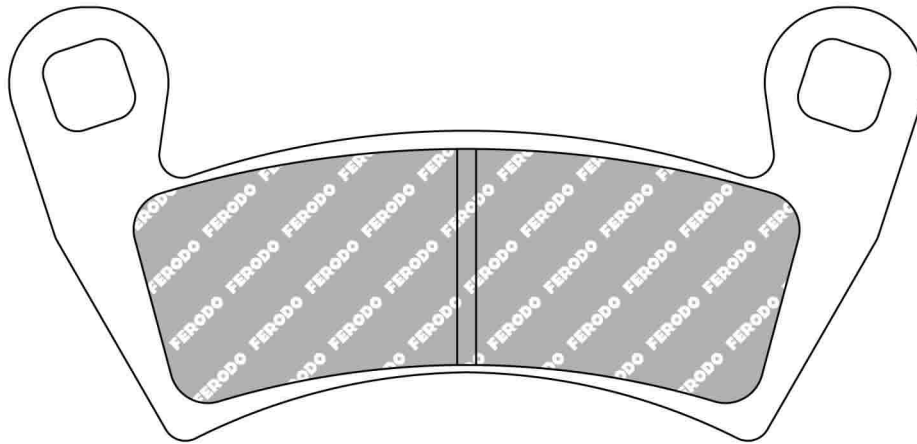
FRONT



MATERIAL AVAILABILITY						
P	PRP	AG	SG	ST	CP1	XRAC
			✓			

CROSS REFERENCE	
BREMBO	07GR20
DP BRAKE	DP514
EBC	FA612
SBS	885

EQUIVALENT OE #	
OEM KTM	47013030000



MATERIAL AVAILABILITY						
P	PRP	AG	SG	ST	CP1	XRAC
			✓			

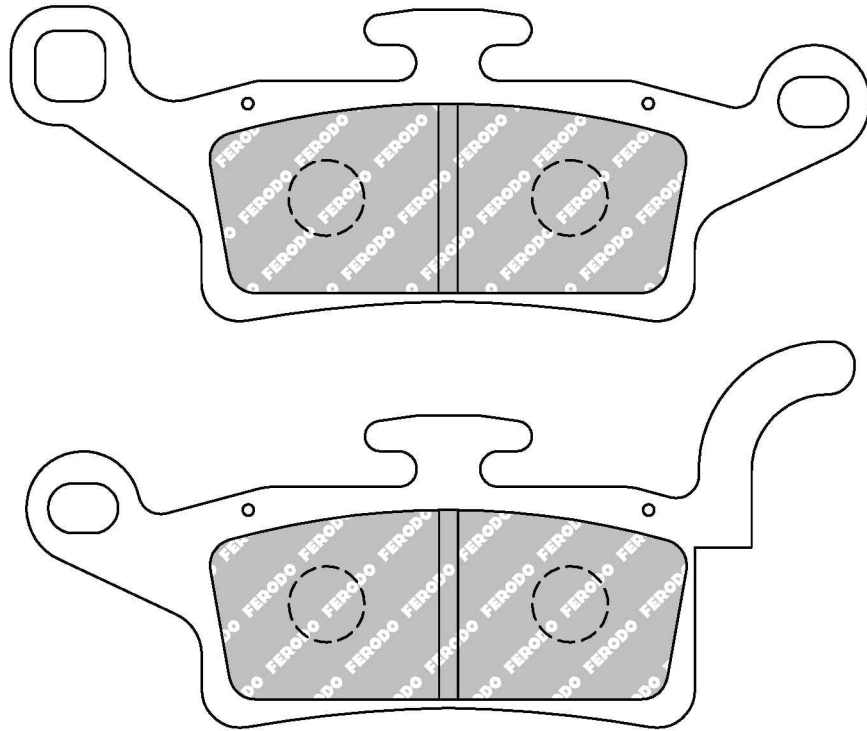
CROSS REFERENCE	
EBC	FA452

FDB2264

113.7 x 41.7 x 8.8 mm / 109.6 x 51.1 x 9.7 mm

MBK, YAMAHA

FRONT



MATERIAL AVAILABILITY						
P	PRP	AG	SG	ST	CP1	XRAC
		✓				

EQUIVALENT OE #	
OEM Yamaha	5S9 W004S 00
OEM Yamaha	52S F5811 00

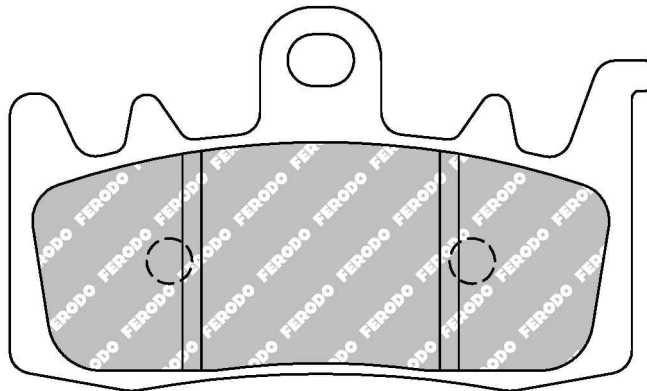
CROSS REFERENCE	
BRAKING	961
BREMBO	07093
EBC	SFA492
SBS	208

FDB2265

85.3 x 51.1 x 8.1 mm

APRILIA, BMW, DUCATI, MV AGUSTA

FRONT



MATERIAL AVAILABILITY						
P	PRP	AG	SG	ST	CP1	XRAC
				✓		

CROSS REFERENCE	
BRAKING	960

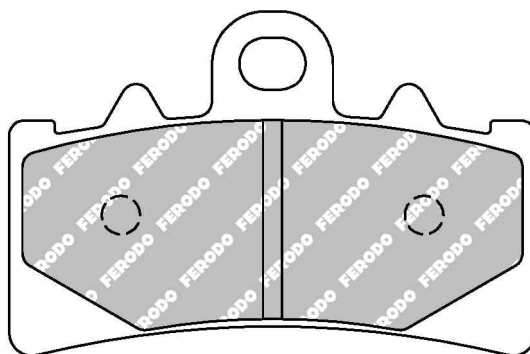
5186

FDB2266

69.9 x 45.5 x 8.9 mm

KTM

FRONT



MATERIAL AVAILABILITY						
P	PRP	AG	SG	ST	CP1	XRAC
				✓		

CROSS REFERENCE	
BREMBO	07GR18
EBC	FA606
SBS	877

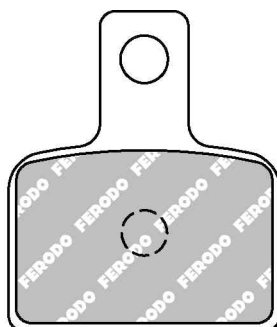
EQUIVALENT OE #	
OEM KTM	9011303000

FDB2267

36.0 x 42.3 x 5.8 mm

BETA

REAR



MATERIAL AVAILABILITY						
P	PRP	AG	SG	ST	CP1	XRAC
			✓			

CROSS REFERENCE	
EBC	FA495
NEWFREN	.FD.0496

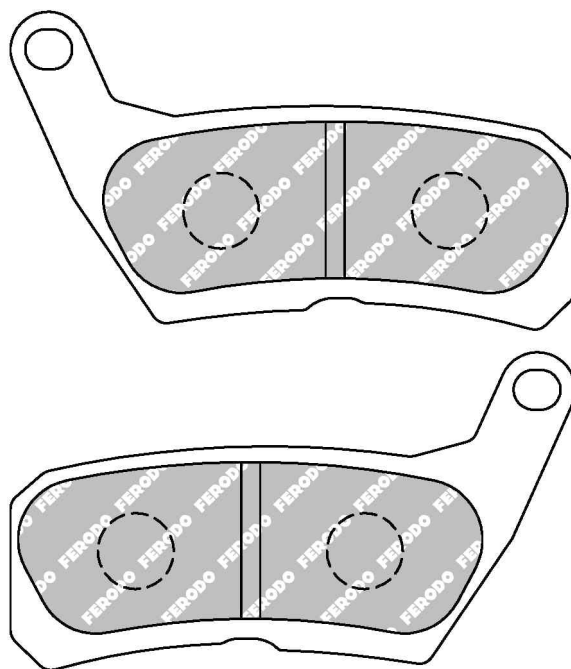
EQUIVALENT OE #	
OEM Beta	007360718000

FDB2268

74.6 x 42.0 x 6.5 mm

HONDA

FRONT



MATERIAL AVAILABILITY						
P	PRP	AG	SG	ST	CP1	XRAC
✓						

CROSS REFERENCE	
NEWFREN	.FD.0494

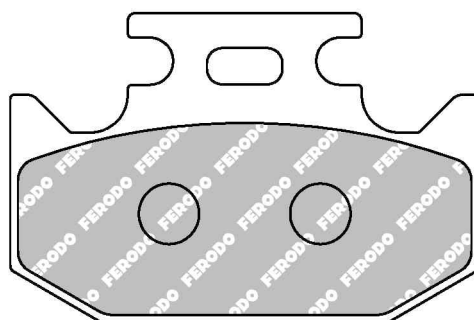
EQUIVALENT OE #	
OEM Honda	K00979315

FDB2270

62.1 x 40.9 x 7.1 mm

YAMAHA

FRONT



ALSO AVAILABLE		
SHAPE	TH. MM	NOTES
FDB659	9.4	

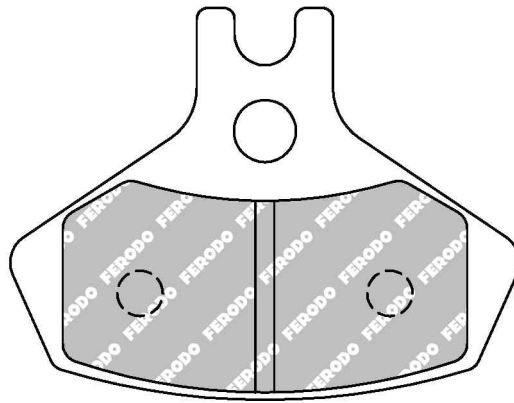
MATERIAL AVAILABILITY						
P	PRP	AG	SG	ST	CP1	XRAC
✓						

FDB2271

67.6 x 52.1 x 7.5 mm

CAN AM ATV

FRONT



MATERIAL AVAILABILITY						
P	PRP	AG	SG	ST	CP1	XRAC

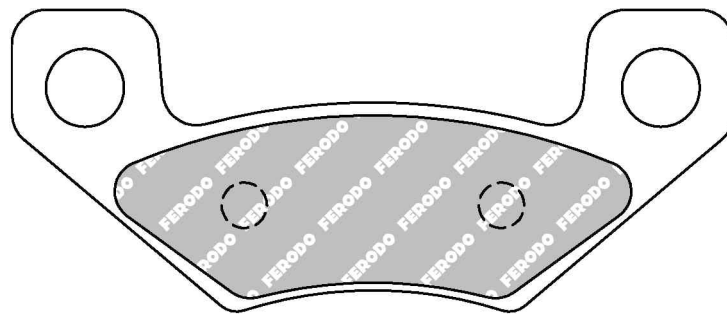
CROSS REFERENCE	
EBC	FA468

FDB2272

95.5 x 40.0 x 6.1 mm

CAN AM ATV, JOHN DEERE ATV

FRONT / REAR



MATERIAL AVAILABILITY						
P	PRP	AG	SG	ST	CP1	XRAC

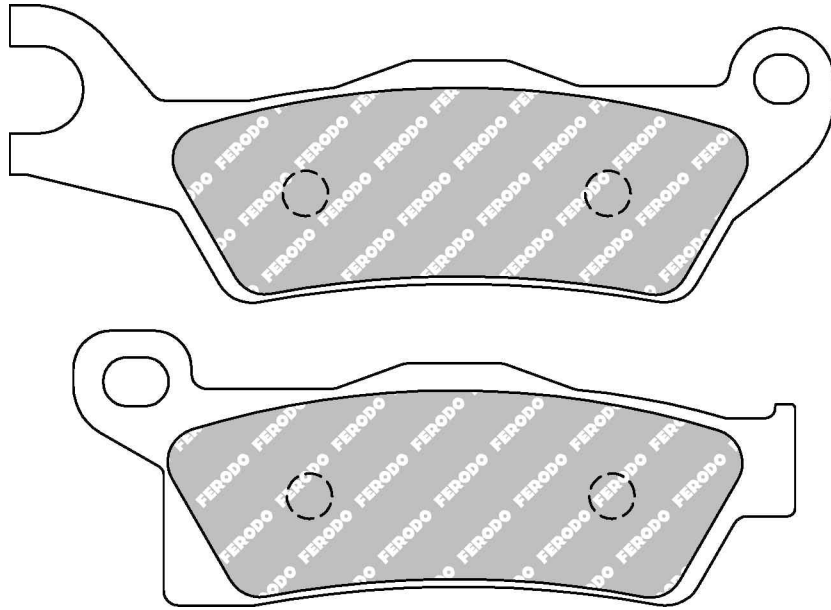
CROSS REFERENCE	
EBC	FA398

FDB2273

109.1 x 39.3 x 7.6 mm / 95.7 x 36.3 x 7.6 mm

CAN AM ATV

FRONT / REAR



MATERIAL AVAILABILITY						
P	PRP	AG	SG	ST	CP1	XRAC

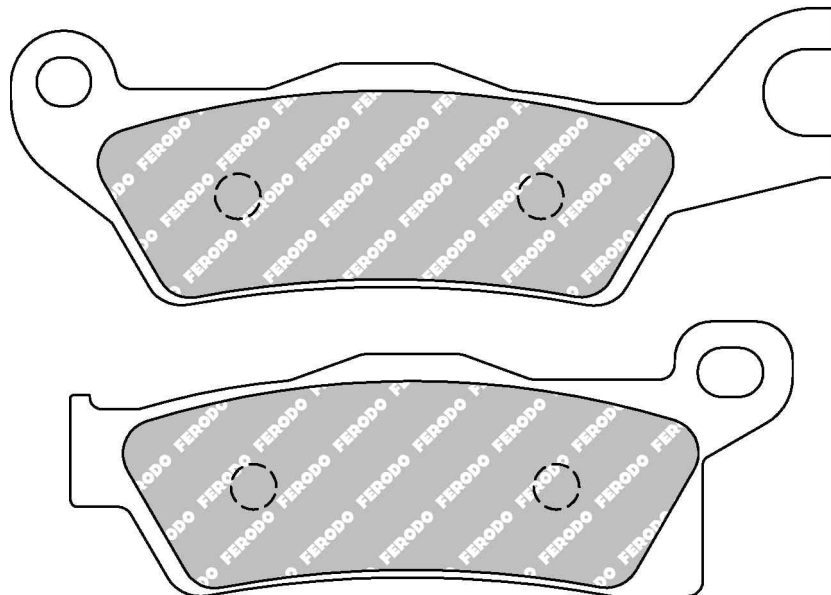
CROSS REFERENCE	
EBC	FA617

FDB2274

109.1 x 39.3 x 7.6 mm / 95.7 x 36.3 x 7.6 mm

CAN AM ATV

FRONT / REAR



MATERIAL AVAILABILITY						
P	PRP	AG	SG	ST	CP1	XRAC

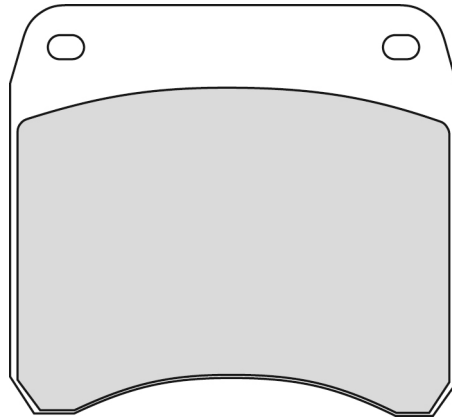
CROSS REFERENCE	
EBC	FA618

FRP213

59.5 x 54.4 x 10.2 mm

TRIUMPH

FRONT



MATERIAL AVAILABILITY						
P	PRP	AG	SG	ST	CP1	XRAC
✓						

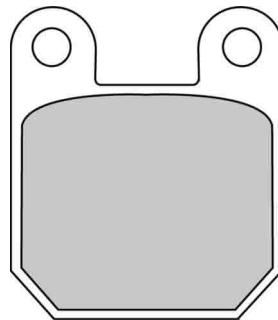
CROSS REFERENCE	
CL BRAKES	2959
EBC	FA016
VESRAH	VD 906

FRP405

36.1 x 45.1 x 6.0 mm

APRILIA, ATK (USA), BETA, BULTACO, CAGIVA, DERBI, FANTIC, GARELLI, GASGAS, GILERA, HUSQVARNA, ITALJET, KTM, MACAL, MALAGUTI, MONTESA, MONTESA (HONDA), MOTORHISPANIA, PEUGEOT, RIEJU, SIMSON, SUZUKI, YAMAHA

FRONT / REAR



MATERIAL AVAILABILITY						
P	PRP	AG	SG	ST	CP1	XRAC
✓	✓	✓	✓	✓		

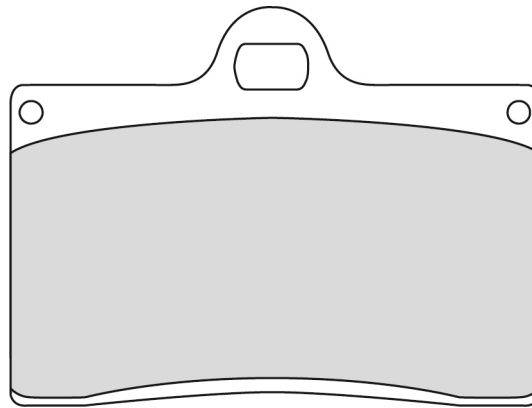
CROSS REFERENCE	
BREMBO	07BB1205
CL BRAKES	2377
CL BRAKES	3015
CL BRAKES	3016
EBC	FA115
GALFER	FD 065
LUCAS	MCB535
SBS	559
VESRAH	VD 254
VESRAH	VD 946

FRP408

70.0 x 51.0 x 8.3 mm

APRILIA, ATK (USA), BETA, BIMOTA, CAGIVA, DUCATI, GASGAS, GILERA, HONDA, HUSABERG, HUSQVARNA, ITALJET, KTM, LAVERDA, MOTO GUZZI, MZ, NORTON, TM, YAMAHA

FRONT / REAR

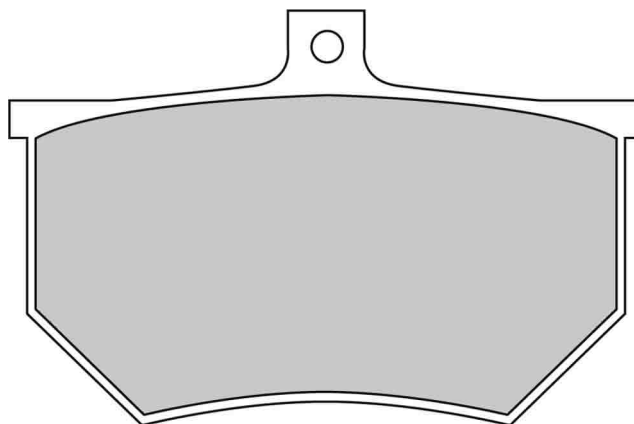


MATERIAL AVAILABILITY						
P	PRP	AG	SG	ST	CP1	XRAC
✓	✓			✓	✓	✓

CROSS REFERENCE	
BREMBO	07BB1507
CL BRAKES	2247
EBC	FA095
GALFER	FD 068
LUCAS	MCB540
SBS	566
VESRAH	VD 945

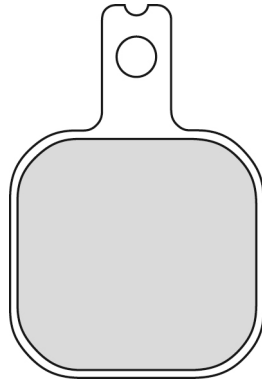
FRP410

84.0 x 54.0 x 8.0 mm



MATERIAL AVAILABILITY						
P	PRP	AG	SG	ST	CP1	XRAC
✓						

CROSS REFERENCE	
EBC	FA107A
SBS	661

FRP415**33.6 x 49.7 x 7.0 mm**

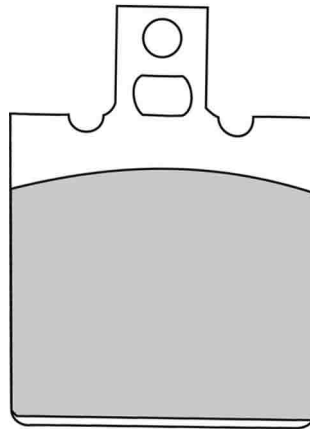
MATERIAL AVAILABILITY						
P	PRP	AG	SG	ST	CP1	XRAC
✓						

CROSS REFERENCE	
EBC	FA175
GALFER	FD 160

FRP416**40.0 x 55.0 x 9.3 mm**

HONDA, HONDA ITALIA, RIEJU

FRONT / REAR

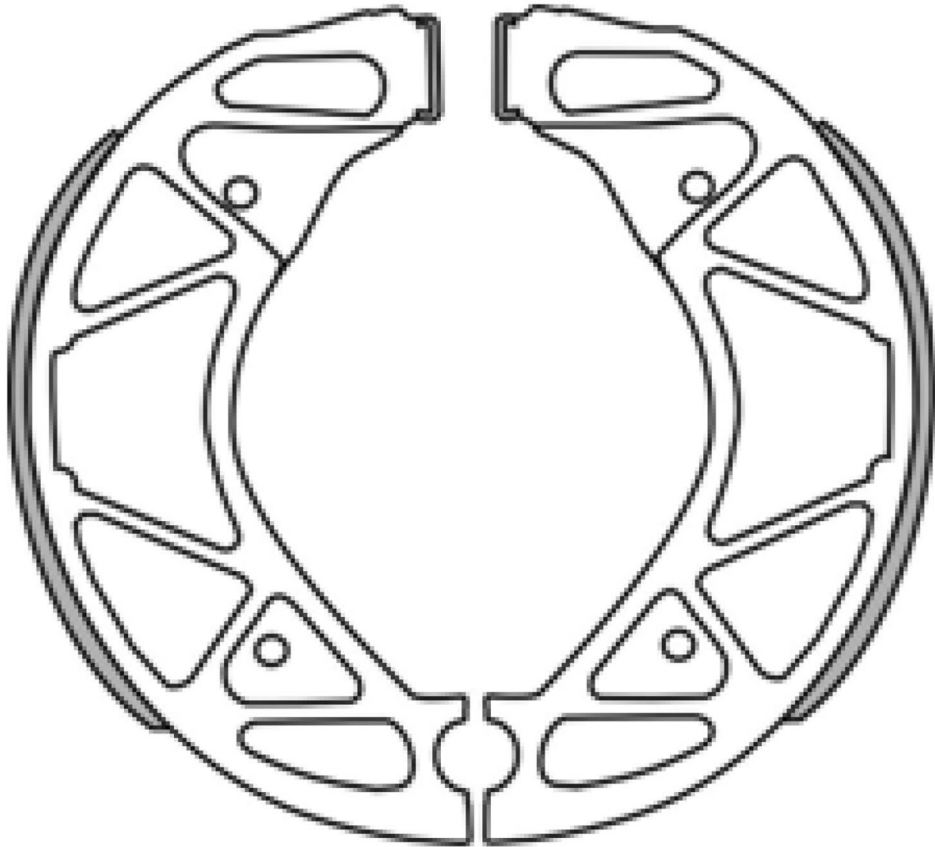


MATERIAL AVAILABILITY						
P	PRP	AG	SG	ST	CP1	XRAC
✓						

CROSS REFERENCE	
BREMBO	107268641
EBC	FA047/3
GALFER	FD 190
SBS	646
VESRAH	VD 911/2

FERODO™

MOTORCYCLE PADS



Shoe Drawings

FERODO™

MOTORCYCLE PADS

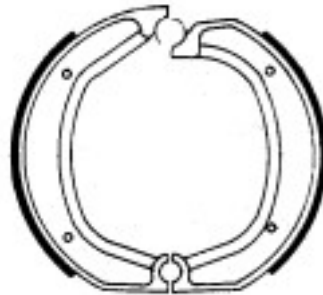
FSB700

200.0 x 30.0 mm

BMW

REAR

Springs NOT included



Drawing not in scale

CROSS REFERENCE	
EBC	860
LUCAS	MCS940
NEWFREN	.GF.1211
SBS	SBS2139

EQUIVALENT OE #	
OEM BMW	34 21 2 311 080

FSB701

200.0 x 25.0 mm

BMW

REAR

Springs NOT included



Drawing not in scale

CROSS REFERENCE	
EBC	861
LUCAS	MCS941
NEWFREN	.GF.1218
SBS	SBS2140

EQUIVALENT OE #	
OEM BMW	34 21 2 310 523

6000

FSB702

80.0 x 18.0 mm

HONDA, PEUGEOT, SUZUKI

FRONT / REAR

Springs NOT included



Drawing not in scale

CROSS REFERENCE	
EBC	301
LUCAS	MCS827
NEWFREN	.GF.1093
SBS	SBS2010
VESRAH	VB134

EQUIVALENT OE #	
OEM Honda	06430 GZ9 003
OEM Honda	06430-131-405

FSB703

95.0 x 20.0 mm

HERCULES (SACHS), HONDA, PEUGEOT, PGO, SYM

FRONT / REAR

Springs included



Drawing not in scale

CROSS REFERENCE	
EBC	302
LUCAS	MCS813
NEWFREN	.GF.1198
SBS	SBS2011
VESRAH	VB141

EQUIVALENT OE #	
OEM Honda	06430 GE8 405

FSB704

110.0 x 25.0 mm

CAGIVA, E-TON ATV, HERCULES (SACHS), HONDA, HONDA 3 WHEELERS, HONDA ATV, HONDA ITALIA, KYMCO, KYMCO ATV, PEUGEOT, PGO, SYM, YAMAHA

FRONT / REAR

Springs included



Drawing not in scale

CROSS REFERENCE	
EBC	303
LUCAS	MCS800
NEWFREN	.GF.1043
SBS	SBS2012
VESRAH	VB101
VESRAH	VB110

EQUIVALENT OE #	
OEM Honda	45351 GBM 750
OEM Honda	06430 GW3 980
OEM Honda	06450-178-932
OEM Honda	06450 GAG 003
OEM Kymco	45120 KCP9 000
OEM Kymco	4312A E22 000
OEM Kymco	43120 KUDU 900
OEM Kymco	4512A LCB4 910
OEM Sym	4312A E22 900
OEM Sym	4312A E60 000
OEM Sym	4312A E60 900
OEM Sym	4312A Y01 E00

FSB705

110.0 x 25.0 mm

HONDA

FRONT / REAR

Springs included



Drawing not in scale

CROSS REFERENCE	
EBC	304
LUCAS	MCS804
NEWFREN	.GF.1178
SBS	SBS2013
VESRAH	VB126

EQUIVALENT OE #	
OEM Honda	45120 KB9 005
OEM Honda	45120 KB9 015

FSB706

130.0 x 30.0 mm

HONDA, HONDA 3 WHEELERS

REAR

Springs included



Drawing not in scale

CROSS REFERENCE	
EBC	310
LUCAS	MCS817
NEWFREN	.GF.1194
SBS	SBS2069
VESRAH	VB130

EQUIVALENT OE #	
OEM Honda	06430 KBG 701
OEM Honda	06430 KBG 700

FSB707

140.0 x 25.0 mm

HONDA

FRONT / REAR

Springs included



Drawing not in scale

CROSS REFERENCE	
EBC	312
LUCAS	MCS803
NEWFREN	.GF.1175
SBS	SBS2023
VESRAH	VB125

EQUIVALENT OE #	
OEM Honda	06450 KC2 680

FSB708

140.0 x 40.0 mm

HONDA

REAR

Springs included



Drawing not in scale

CROSS REFERENCE	
EBC	313
LUCAS	MCS807
NEWFREN	.GF.1192
SBS	SBS2058
VESRAH	VB132

EQUIVALENT OE #	
OEM Honda	43120 ML4 711

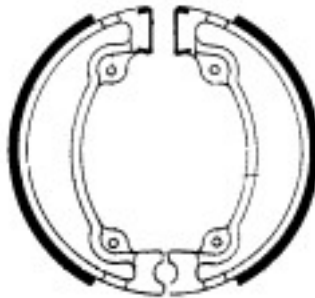
FSB709

130.0 x 30.0 mm

HONDA

REAR

Springs included



Drawing not in scale

CROSS REFERENCE	
EBC	318
LUCAS	MCS805
NEWFREN	.GF.1171
SBS	SBS2026
VESRAH	VB136

EQUIVALENT OE #	
OEM Honda	43120 MM9 780
OEM Honda	06430 GBJ 740
OEM Honda	43120 MM9 781

FSB710

180.0 x 38.0 mm

HONDA

REAR

Springs included



Drawing not in scale

CROSS REFERENCE	
EBC	320
LUCAS	MCS808
LUCAS	MCS892
NEWFREN	.GF.1109
SBS	SBS2027
VESRAH	VB129

EQUIVALENT OE #	
OEM Honda	43120 393 305

FSB711

160.0 x 40.0 mm

HONDA, KYMCO

REAR

Springs included



Drawing not in scale

CROSS REFERENCE	
EBC	321
LUCAS	MCS806
NEWFREN	.GF.1214
SBS	SBS2059
VESRAH	VB133

EQUIVALENT OE #	
OEM Honda	06430 MW3 671
OEM Honda	43120 MW3 671
OEM Honda	43120 MR1 611

FSB712

80.0 x 18.0 mm

HONDA, KTM, MOTOBECANE, PEUGEOT, PUCH

FRONT / REAR

Springs included



Drawing not in scale

CROSS REFERENCE	
EBC	322
LUCAS	MCS828
NEWFREN	.GF.1143
SBS	SBS2074

EQUIVALENT OE #	
OEM Honda	45120 GE8 505
OEM Honda	43120-GZ9-003

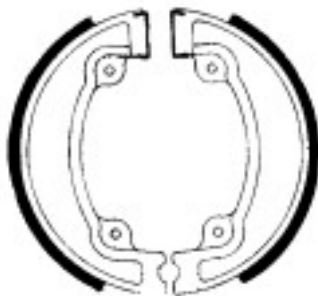
FSB713

130.0 x 25.0 mm

BOMBARDIER ATV, CAN AM ATV, E-TON ATV, HONDA, HONDA ATV

FRONT / REAR

Springs included



Drawing not in scale

CROSS REFERENCE	
EBC	330
LUCAS	MCS819
NEWFREN	.GF.1184
SBS	SBS2041
VESRAH	VB142
VESRAH	VB159

EQUIVALENT OE #	
OEM Honda	06450 KS4 601
OEM Honda	43120 KS6 305

FSB714

95.0 x 20.0 mm

BS VILLA, HONDA, HSC, KYMCO

FRONT / REAR

Springs included



Drawing not in scale

CROSS REFERENCE	
EBC	333
LUCAS	MCS825
NEWFREN	.GF.1248
SBS	SBS2057
VESRAH	VB150

EQUIVALENT OE #	
OEM Honda	06430 GCW 000
OEM Honda	43120 GC4 832
OEM Honda	43120-GW6-306
OEM Honda	06430 GET 000
OEM Honda	43120 GC4 832
OEM Honda	06430 GC4 831
OEM Honda	06430-HB2-405

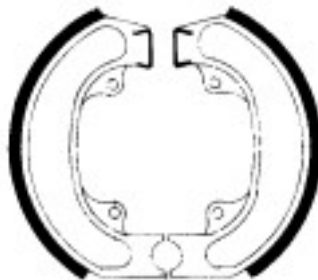
FSB715

110.0 x 25.0 mm

HONDA

FRONT / REAR

Springs included



Drawing not in scale

CROSS REFERENCE	
EBC	336
LUCAS	MCS820
NEWFREN	.GF.1229
SBS	SBS2080

EQUIVALENT OE #	
OEM Honda	06455 GAG 003
OEM Honda	06430 GJ3 932

FSB716

110.0 x 30.0 mm

KAWASAKI

REAR

Springs included



Drawing not in scale

CROSS REFERENCE	
EBC	702
NEWFREN	.GF.1235

EQUIVALENT OE #	
OEM Kawasaki	42019 013
OEM Kawasaki	41048 1097

FSB717

120.0 x 35.0 mm

KAWASAKI

FRONT / REAR

Springs included



Drawing not in scale

CROSS REFERENCE	
EBC	703
LUCAS	MCS861
NEWFREN	.GF.1236
SBS	SBS2025
SBS	SBS2056
VESRAH	VB416

EQUIVALENT OE #	
OEM Kawasaki	41048 1084

FSB718

160.0 x 30.0 mm

KAWASAKI, KAWASAKI ATV

REAR

Springs included



Drawing not in scale

CROSS REFERENCE	
EBC	706
LUCAS	MCS853
NEWFREN	.GF.1238
SBS	SBS2038
VESRAH	VB413

EQUIVALENT OE #	
OEM Kawasaki	41048 1142

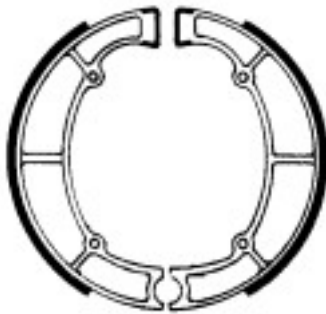
FSB719

180.0 x 40.0 mm

KAWASAKI

REAR

Springs included



Drawing not in scale

CROSS REFERENCE	
EBC	709
LUCAS	MCS852
NEWFREN	.GF.1240
SBS	SBS2060
VESRAH	VB412

EQUIVALENT OE #	
OEM Kawasaki	41048 1070

FSB720

100.0 x 25.0 mm

SUZUKI

FRONT / REAR

Springs included



Drawing not in scale

CROSS REFERENCE	
EBC	601
NEWFREN	.GF.1220
SBS	SBS2094
VESRAH	VB322

EQUIVALENT OE #	
OEM Suzuki	54410 02410

FSB721

130.0 x 28.0 mm

HYOSUNG, KAWASAKI, KAWASAKI 3 WHEELERS, KAWASAKI ATV, PGO, SUZUKI

FRONT / REAR

Springs included



Drawing not in scale

CROSS REFERENCE	
EBC	602
LUCAS	MCS855
NEWFREN	.GF.1147
SBS	SBS2014
SBS	SBS2183
VESRAH	VB302
VESRAH	VB409
VESRAH	VB410

EQUIVALENT OE #	
OEM Kawasaki	41048 1076
OEM Suzuki	54402 07810
OEM Suzuki	54401 07820

6010

FSB722

110.0 x 30.0 mm

HYOSUNG, KAWASAKI, KAWASAKI 3 WHEELERS, KAWASAKI ATV, MODENAS, SUZUKI

FRONT / REAR

Springs included



Drawing not in scale

CROSS REFERENCE	
EBC	603
LUCAS	MCS854
NEWFREN	.GF.1146
SBS	SBS2015
VESRAH	VB312
VESRAH	VB406

EQUIVALENT OE #	
OEM Kawasaki	41048 1141
OEM Suzuki	54402 35820

FSB723

110.0 x 25.0 mm

KAWASAKI, KAWASAKI ATV, SUZUKI, SUZUKI ATV

FRONT / REAR

Springs included



Drawing not in scale

CROSS REFERENCE	
EBC	604
LUCAS	MCS901
NEWFREN	.GF.1196
SBS	SBS2017
VESRAH	VB310

EQUIVALENT OE #	
OEM Suzuki	54401 43810

FSB724

150.0 x 28.0 mm

KAWASAKI, SUZUKI, SUZUKI 3 WHEELERS, SUZUKI ATV

FRONT / REAR

Springs included



Drawing not in scale

CROSS REFERENCE	
EBC	605
LUCAS	MCS902
NEWFREN	.GF.1186
SBS	SBS2016
VESRAH	VB309
VESRAH	VB407

EQUIVALENT OE #	
OEM Kawasaki	42019 011
OEM Kawasaki	41048 1107

FSB725

160.0 x 30.0 mm

SUZUKI, SUZUKI ATV

REAR

Springs included



Drawing not in scale

CROSS REFERENCE	
EBC	606
LUCAS	MCS907
LUCAS	MCS919
NEWFREN	.GF.1195
SBS	SBS2018
SBS	SBS2111
VESRAH	VB308

EQUIVALENT OE #	
OEM Suzuki	64400 44810
OEM Suzuki	64410 44B00

FSB726

90.0 x 20.0 mm

SUZUKI, SUZUKI 3 WHEELERS, SUZUKI ATV

FRONT / REAR

Springs included



Drawing not in scale

CROSS REFERENCE	
EBC	613
NEWFREN	.GF.1225
SBS	SBS2020
VESRAH	VB313

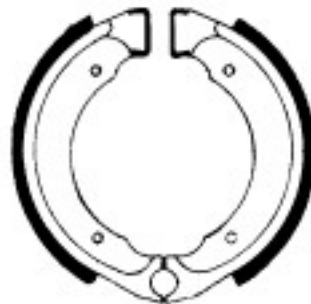
FSB727

80.0 x 20.0 mm

E-TON ATV, KAWASAKI ATV, SUZUKI, SUZUKI ATV

FRONT / REAR

Springs included



Drawing not in scale

CROSS REFERENCE	
EBC	614
NEWFREN	.GF.1226
SBS	SBS2101
VESRAH	VB314
VESRAH	VB323

EQUIVALENT OE #	
OEM Suzuki	54400 02820

FSB728**120.0 x 28.0 mm**

SUZUKI

FRONT / REAR

Springs included

Drawing not in scale

CROSS REFERENCE

EBC	617
LUCAS	MCS856
NEWFREN	.GF.1216
SBS	SBS2103
VESRAH	VB311

FSB729**120.0 x 30.0 mm**

SUZUKI

FRONT / REAR

Springs included

Drawing not in scale

CROSS REFERENCE

EBC	627
LUCAS	MCS918
NEWFREN	.GF.1228

6014

FSB730

80.0 x 17.0 mm

MBK, YAMAHA

FRONT / REAR

Springs NOT included



Drawing not in scale

CROSS REFERENCE	
EBC	501
LUCAS	MCS960
NEWFREN	.GF.1193
SBS	SBS2112
VESRAH	VB224

EQUIVALENT OE #	
OEM Yamaha	3PT W2535 00
OEM Yamaha	3PT W253A 10
OEM Yamaha	3PT W2535 10

FSB731

110.0 x 25.0 mm

ADLY, BRANDY-BRAS, CPI, FANTIC, ITALJET, KOTIR, LEM, MBK, PGO, POLARIS ATV, RAPIDO, YAMAHA, YAMAHA 3 WHEELERS, YAMAHA ATV

FRONT / REAR

Springs included



Drawing not in scale

CROSS REFERENCE	
EBC	503
LUCAS	MCS962
NEWFREN	.GF.1200
SBS	SBS2028
VESRAH	VB229

EQUIVALENT OE #	
OEM Yamaha	4BE W2536 00
OEM Yamaha	4TA W253E 01
OEM Yamaha	4KN W253E 11
OEM Yamaha	4BE W253E 00
OEM Yamaha	4TA W253E 00
OEM Yamaha	4KN W2536 11

FSB732

110.0 x 25.0 mm

CPI, GARELLI, HONDA, YAMAHA

FRONT / REAR

Springs included



Drawing not in scale

CROSS REFERENCE	
EBC	504
LUCAS	MCS951
NEWFREN	.GF.1188
SBS	SBS2032
VESRAH	VB212

EQUIVALENT OE #	
OEM Yamaha	25G W2536 01

FSB733

130.0 x 28.0 mm

APRILIA, MBK, SACHS, YAMAHA, YAMAHA ATV

FRONT / REAR

Springs included



Drawing not in scale

CROSS REFERENCE	
EBC	506
LUCAS	MCS953
NEWFREN	.GF.1105
SBS	SBS2034
VESRAH	VB223
VESRAH	VB235

EQUIVALENT OE #	
OEM Yamaha	25G 25130 00
OEM Yamaha	3D9 W2533 00
OEM Yamaha	3LS W2536 00
OEM Yamaha	3FA W253A 00
OEM Yamaha	25G 25330 00

FSB734**150.0 x 25.0 mm**

YAMAHA

FRONT / REAR

Springs included



Drawing not in scale

CROSS REFERENCE	
EBC	510
LUCAS	MCS955
NEWFREN	.GF.1167
SBS	SBS2037
VESRAH	VB208
VESRAH	VB210
VESRAH	VB228

EQUIVALENT OE #	
OEM Yamaha	3GW W253A 00

FSB735**180.0 x 30.0 mm**

YAMAHA

REAR

Springs included



Drawing not in scale

CROSS REFERENCE	
EBC	514
NEWFREN	.GF.1190
SBS	SBS2064
VESRAH	VB225

EQUIVALENT OE #	
OEM Yamaha	5R3 W253E 00

FSB736

160.0 x 30.0 mm

YAMAHA, YAMAHA ATV

REAR

Springs included



Drawing not in scale

CROSS REFERENCE	
EBC	516
LUCAS	MCS958
NEWFREN	.GF.1197
SBS	SBS2066
VESRAH	VB231

EQUIVALENT OE #	
OEM Yamaha	4HC W2536 00
OEM Yamaha	5VH WF536 00

FSB737

130.0 x 22.0 mm

YAMAHA

FRONT / REAR

Springs included



Drawing not in scale

CROSS REFERENCE	
EBC	517
LUCAS	MCS964
NEWFREN	.GF.1163
SBS	SBS2049
VESRAH	VB233

FSB738

110.0 x 25.0 mm

MBK, YAMAHA, YAMAHA 3 WHEELERS, YAMAHA ATV

FRONT / REAR

Springs included



Drawing not in scale

CROSS REFERENCE	
EBC	518
LUCAS	MCS956
NEWFREN	.GF.1187
SBS	SBS2050

EQUIVALENT OE #	
OEM Yamaha	4BX W2534 00

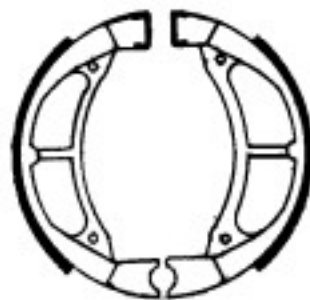
FSB739

95.0 x 20.0 mm

MBK, YAMAHA

FRONT / REAR

Springs included



Drawing not in scale

CROSS REFERENCE	
EBC	519
LUCAS	MCS963
NEWFREN	.GF.1217
SBS	SBS2021

EQUIVALENT OE #	
OEM Yamaha	4JP W2535 00

FSB740

110.0 x 30.0 mm

HONDA

REAR

Springs included



Drawing not in scale

CROSS REFERENCE	
EBC	323
LUCAS	MCS812
NEWFREN	.GF.1177
SBS	SBS2029
VESRAH	VB140

EQUIVALENT OE #	
OEM Honda	06430 428 003
OEM Honda	06430-KBR-003
OEM Honda	43120 428 013
OEM Honda	43120-428-405

FSB741

180.0 x 30.0 mm

HONDA

REAR

Springs included



Drawing not in scale

CROSS REFERENCE	
EBC	316
LUCAS	MCS809
LUCAS	MCS850
NEWFREN	.GF.1130
SBS	SBS2072
VESRAH	VB128

EQUIVALENT OE #	
OEM Honda	43120 458 305

FSB742

160.0 x 30.0 mm

HONDA, HONDA 3 WHEELERS, HONDA ATV

REAR

Springs included



Drawing not in scale

CROSS REFERENCE	
EBC	315
LUCAS	MCS802
NEWFREN	.GF.1150
SBS	SBS2024
VESRAH	VB127

EQUIVALENT OE #	
OEM Honda	45120 369 305

FSB743

160.0 x 25.0 mm

HONDA

FRONT / REAR

Springs included



Drawing not in scale

CROSS REFERENCE	
EBC	325
NEWFREN	.GF.1169
SBS	SBS2070
SBS	SBS2075
VESRAH	VB138

EQUIVALENT OE #	
OEM Honda	43120 430 305

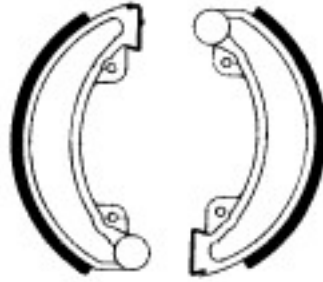
FSB744

130.0 x 30.0 mm

HONDA

FRONT

Springs included



Drawing not in scale

CROSS REFERENCE	
EBC	327
LUCAS	MCS816
NEWFREN	.GF.1172
VESRAH	VB149

EQUIVALENT OE #	
OEM Honda	06450 MC4 415

FSB745

130.0 x 30.0 mm

HONDA

FRONT / REAR

Springs included



Drawing not in scale

CROSS REFERENCE	
EBC	328
NEWFREN	.GF.1173
VESRAH	VB144

FSB746

130.0 x 22.0 mm

HONDA

FRONT / REAR

Springs included



Drawing not in scale

CROSS REFERENCE	
EBC	331
NEWFREN	.GF.1174
SBS	SBS2042
VESRAH	VB143
VESRAH	VB154

EQUIVALENT OE #	
OEM Honda	45120 KA4 305

FSB747

140.0 x 25.0 mm

HONDA

FRONT

Springs included



Drawing not in scale

CROSS REFERENCE	
EBC	324
NEWFREN	.GF.1215
SBS	SBS2031
VESRAH	VB137

FSB748

130.0 x 25.0 mm

HONDA

REAR

Springs included



Drawing not in scale

CROSS REFERENCE	
EBC	341
NEWFREN	.GF.1252
SBS	SBS2082
VESRAH	VB151

EQUIVALENT OE #	
OEM Honda	43120 KM1305

FSB749

140.0 x 30.0 mm

HONDA

REAR

Springs included



Drawing not in scale

CROSS REFERENCE	
EBC	309
LUCAS	MCS811
NEWFREN	.GF.1170
VESRAH	VB139

EQUIVALENT OE #	
OEM Honda	06430 354 405

FSB750

150.0 x 25.0 mm

HONDA

REAR

Springs included



Drawing not in scale

CROSS REFERENCE

EBC	319
NEWFREN	.GF.1213

FSB751

130.0 x 25.0 mm

HONDA

FRONT

Springs included



Drawing not in scale

CROSS REFERENCE

EBC	332
LUCAS	MCS815
NEWFREN	.GF.1179
SBS	SBS2030
SBS	SBS2077
VESRAH	VB148

EQUIVALENT OE

OEM Honda	06450 MC4 415
-----------	---------------

FSB752

95.0 x 20.0 mm

HONDA

REAR

Springs included



Drawing not in scale

CROSS REFERENCE

EBC	337
NEWFREN	.GF.1223

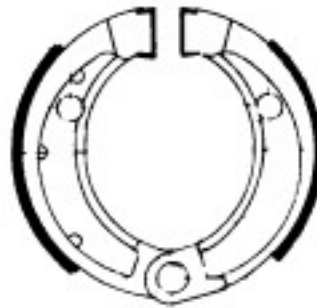
FSB753

87.0 x 20.0 mm

ARCTIC CAT ATV, BOMBARDIER ATV, CAN AM ATV, HONDA ATV, KYMCO ATV,
POLARIS ATV

FRONT

Springs included



Drawing not in scale

CROSS REFERENCE

EBC	346
NEWFREN	.GF.1259
SBS	SBS2048

FSB754

95.0 x 20.0 mm

HONDA, MBK, PEUGEOT

FRONT / REAR

Springs included



Drawing not in scale

CROSS REFERENCE	
EBC	334
NEWFREN	.GF.1246
SBS	SBS2194

EQUIVALENT OE #	
OEM Honda	43130 GE9 003

FSB755

140.0 x 30.0 mm

HONDA, HONDA ATV, KYMCO

REAR

Springs included



Drawing not in scale

CROSS REFERENCE	
EBC	340
LUCAS	MCS821
NEWFREN	.GF.1251
VESRAH	VB158

EQUIVALENT OE #	
OEM Honda	43120 MG7 003
OEM Honda	43120 MG7 405

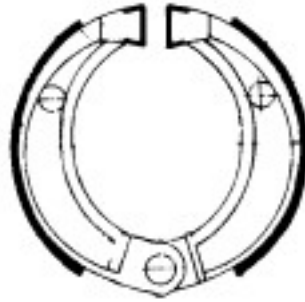
FSB756

85.0 x 20.0 mm

E-TON ATV, HONDA, KAWASAKI ATV, KYMCO ATV, POLARIS ATV

FRONT / REAR

Springs NOT included



Drawing not in scale

CROSS REFERENCE

EBC	338
LUCAS	MCS832
NEWFREN	.GF.1253
SBS	SBS2043

FSB757

130.0 x 25.0 mm

HONDA

REAR

Springs included



Drawing not in scale

CROSS REFERENCE

EBC	344
LUCAS	MCS824
NEWFREN	.GF.1254
SBS	SBS2047

FSB758

90.0 x 20.0 mm

HONDA

FRONT

Springs included



Drawing not in scale

CROSS REFERENCE

EBC	335
NEWFREN	.GF.1247
SBS	SBS2193

FSB759

140.0 x 25.0 mm

FANTIC, GILERA

REAR

Springs included



Drawing not in scale

CROSS REFERENCE

EBC	987
NEWFREN	.GF.0227

FSB760

140.0 x 28.0 mm

ARCTIC CAT ATV, HONDA, HONDA 3 WHEELERS, HONDA ATV, POLARIS ATV

FRONT / REAR

Springs included



Drawing not in scale

CROSS REFERENCE

EBC	306
NEWFREN	.GF.1206
SBS	SBS2019
VESRAH	VB135

FSB761

180.0 x 35.0 mm

HONDA, HONDA ATV, KAWASAKI

REAR

Springs included



Drawing not in scale

CROSS REFERENCE

EBC	343
LUCAS	MCS822
NEWFREN	.GF.1232
SBS	SBS2046
VESRAH	VB146

EQUIVALENT OE

OEM Honda	06430 MCL 700
OEM Honda	06430 MZ5 003
OEM Honda	06430 MM8 881
OEM Honda	06430 MR5 006
OEM Honda	43120 MR5 006

FSB762

130.0 x 25.0 mm

HONDA, ITALJET, PEUGEOT, PIAGGIO

FRONT / REAR

Springs included



Drawing not in scale

CROSS REFERENCE	
EBC	350
LUCAS	MCS831
NEWFREN	.GF.1289
SBS	SBS2189

FSB763

130.0 x 22.0 mm

YAMAHA

FRONT / REAR

Springs included



Drawing not in scale

CROSS REFERENCE	
EBC	508
NEWFREN	.GF.1164
SBS	SBS2036
VESRAH	VB234

EQUIVALENT OE #	
OEM Yamaha	4V4 W253A 00

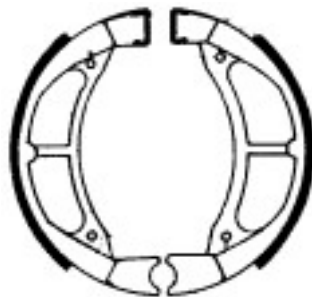
FSB764

SUZUKI, YAMAHA

95.0 x 20.0 mm

FRONT / REAR

Springs included



Drawing not in scale

CROSS REFERENCE	
EBC	502
LUCAS	MCS961
NEWFREN	.GF.1199
SBS	SBS2182
VESRAH	VB226
VESRAH	VB319

EQUIVALENT OE #	
OEM Yamaha	39K 25130 00
OEM Yamaha	3EC W2535 00
OEM Yamaha	3EC W253A 00
OEM Yamaha	39K W2535 00

FSB765

YAMAHA

200.0 x 40.0 mm

REAR

Springs included



Drawing not in scale

CROSS REFERENCE	
EBC	515
LUCAS	MCS957
NEWFREN	.GF.1204
SBS	SBS2065
VESRAH	VB230

EQUIVALENT OE #	
OEM Yamaha	3DR W253E 00
OEM Yamaha	3DR W2536 00
OEM Yamaha	4DR W2536 00

FSB766

150.0 x 25.0 mm

YAMAHA

FRONT

Springs included



Drawing not in scale

CROSS REFERENCE	
EBC	522
NEWFREN	.GF.1264
SBS	SBS2182

FSB767

160.0 x 25.0 mm

YAMAHA, YAMAHA ATV

FRONT / REAR

Springs included



Drawing not in scale

CROSS REFERENCE	
EBC	511
LUCAS	MCS833
LUCAS	MCS952
NEWFREN	.GF.1168
SBS	SBS2035
VESRAH	VB220

EQUIVALENT OE #	
OEM Yamaha	4GR W253E 00

FSB768**118.0 x 24.0 mm**

BETA

REAR

Springs NOT included



Drawing not in scale

CROSS REFERENCE

EBC	941
NEWFREN	.GF.0223

FSB769**180.0 x 40.0 mm**

YAMAHA

REAR

Springs included



Drawing not in scale

CROSS REFERENCE

EBC	512
LUCAS	MCS834
LUCAS	MCS950
NEWFREN	.GF.1202
SBS	SBS2063
VESRAH	VB227

EQUIVALENT OE #

OEM Yamaha	3LT W253E 00
------------	--------------

6034

FSB770**180.0 x 30.0 mm**

YAMAHA

FRONT

Springs included



Drawing not in scale

CROSS REFERENCE

EBC	513
LUCAS	MCS954
NEWFREN	.GF.1203
SBS	SBS2113
VESRAH	VB206

FSB771**100.0 x 20.0 mm**

YAMAHA

FRONT / REAR

Springs included



Drawing not in scale

CROSS REFERENCE

EBC	525
NEWFREN	.GF.1278
SBS	SBS2191

FSB772

130.0 x 28.0 mm

YAMAHA

FRONT / REAR

Springs included



Drawing not in scale

CROSS REFERENCE	
EBC	521
LUCAS	MCS969
NEWFREN	.GF.1270
SBS	SBS2115

EQUIVALENT OE #	
OEM Yamaha	3TE W2535 00

FSB773

180.0 x 28.0 mm

SUZUKI

REAR

Springs included



Drawing not in scale

CROSS REFERENCE	
EBC	609
LUCAS	MCS904
NEWFREN	.GF.1121
SBS	SBS2097
VESRAH	VB305

EQUIVALENT OE #	
OEM Suzuki	64400 11870

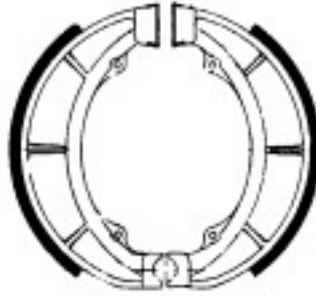
FSB775

130.0 x 23.0 mm

SUZUKI

FRONT / REAR

Springs included



Drawing not in scale

CROSS REFERENCE	
EBC	619
NEWFREN	.GF.1255

FSB776

130.0 x 22.0 mm

HYOSUNG, KAWASAKI ATV, SUZUKI, SUZUKI ATV

FRONT / REAR

Springs included



Drawing not in scale

CROSS REFERENCE	
EBC	618
NEWFREN	.GF.1158
SBS	SBS2104

EQUIVALENT OE #	
OEM Suzuki	54410 14100

FSB777

120.0 x 25.0 mm

ATALA, CAGIVA, DERBI, GARELLI, ITALJET, PGO, PUCH, RIZZATO, SUZUKI, SUZUKI ATV

FRONT / REAR

Springs included



Drawing not in scale

CROSS REFERENCE	
EBC	624
LUCAS	MCS921
NEWFREN	.GF.1233
SBS	SBS2181
VESRAH	VB328

EQUIVALENT OE #	
OEM Derbi	00G01300931
OEM Suzuki	54400 03820
OEM Suzuki	54041 30F00
OEM Suzuki	54400 03810

FSB778

130.0 x 22.0 mm

SUZUKI

FRONT

Springs included



Drawing not in scale

CROSS REFERENCE	
EBC	622
NEWFREN	.GF.1165
SBS	SBS2108

EQUIVALENT OE #	
OEM Suzuki	54410 14300

FSB779

150.0 x 22.0 mm

SUZUKI, SUZUKI 3 WHEELERS, SUZUKI ATV

FRONT / REAR

Springs included



Drawing not in scale

CROSS REFERENCE	
EBC	621
NEWFREN	.GF.1166
SBS	SBS2107
VESRAH	VB315

FSB780

180.0 x 32.0 mm

SUZUKI

REAR

Springs included



Drawing not in scale

CROSS REFERENCE	
EBC	611
LUCAS	MCS906
NEWFREN	.GF.1191
SBS	SBS2099
VESRAH	VB307

EQUIVALENT OE #	
OEM Suzuki	64400 34830

FSB781**160.0 x 30.0 mm**

FANTIC, GARELLI

REAR

Springs included



Drawing not in scale

CROSS REFERENCE

EBC	983
NEWFREN	.GF.0229

FSB782**180.0 x 40.0 mm**

SUZUKI, SUZUKI ATV

REAR

Springs included



Drawing not in scale

CROSS REFERENCE

EBC	634
LUCAS	MCS905
NEWFREN	.GF.1120
SBS	SBS2098

EQUIVALENT OE #

OEM Suzuki	64400 31830
------------	-------------

6040

FSB783

100.0 x 20.0 mm

SUZUKI

FRONT

Springs NOT included



Drawing not in scale

CROSS REFERENCE	
EBC	615
LUCAS	MCS993
NEWFREN	.GF.1227
SBS	SBS2022

FSB784

180.0 x 36.0 mm

SACHS, SUZUKI, SUZUKI ATV

REAR

Springs included



Drawing not in scale

CROSS REFERENCE	
EBC	626
NEWFREN	.GF.1230
SBS	SBS2052
VESRAH	VB321

EQUIVALENT OE #	
OEM Suzuki	64400 38810
OEM Suzuki	64400 38820
OEM Suzuki	64410 38A00

FSB785

140.0 x 28.0 mm

SUZUKI

FRONT / REAR

Springs included



Drawing not in scale

CROSS REFERENCE	
EBC	620
NEWFREN	.GF.1231
VESRAH	VB318

EQUIVALENT OE #	
OEM Suzuki	64410 40301

FSB786

120.0 x 22.0 mm

SUZUKI

REAR

Springs included



Drawing not in scale

CROSS REFERENCE	
EBC	616
LUCAS	MCS915
NEWFREN	.GF.1161
SBS	SBS2102
VESRAH	VB316

EQUIVALENT OE #	
OEM Suzuki	64410 14100

FSB787

130.0 x 28.0 mm

SUZUKI

FRONT / REAR

Springs NOT included



Drawing not in scale

CROSS REFERENCE

NEWFREN	.GF.1157
---------	----------

FSB788

110.0 x 25.0 mm

APRILIA, ATALA, BENELLI, BETA, BS VILLA, CAGIVA, HUSQVARNA, KTM, MALAGUTI, SYM, YAMAHA

FRONT / REAR

Springs included



Drawing not in scale

CROSS REFERENCE

EBC	893
NEWFREN	.GF.0255

EQUIVALENT OE

OEM Aprilia	8213133
OEM Benelli	R44790031A0
OEM Beta	1242150000
OEM Honda	45120 E60 000
OEM Malagutti	11940300
OEM Malagutti	11971000

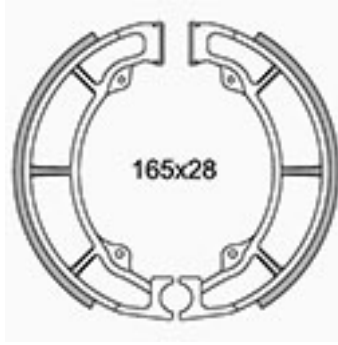
FSB789

165.0 x 28.0 mm

SUZUKI ATV

REAR

Springs included



Drawing not in scale

CROSS REFERENCE

NEWFREN	.GF.1268
---------	----------

FSB790

160.0 x 30.0 mm

SUZUKI

REAR

Springs included



Drawing not in scale

CROSS REFERENCE

EBC	630
NEWFREN	.GF.1269

EQUIVALENT OE

OEM Suzuki	64410 44B10
------------	-------------

FSB791

110.0 x 17.0 mm

SUZUKI

REAR

Springs included



Drawing not in scale

CROSS REFERENCE

EBC	631
NEWFREN	.GF.1296
VESRAH	VB324

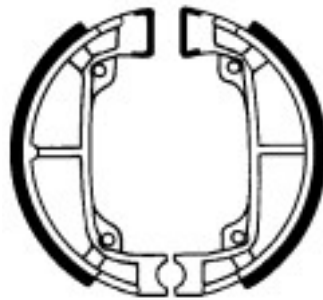
FSB792

90.0 x 20.0 mm

ATALA, SUZUKI

FRONT / REAR

Springs included



Drawing not in scale

CROSS REFERENCE

EBC	632
LUCAS	MCS991
NEWFREN	.GF.1297
VESRAH	VB325

EQUIVALENT OE

OEM Suzuki	54410 46B01
------------	-------------

FSB793

180.0 x 30.0 mm

KAWASAKI

REAR

Springs included



Drawing not in scale

CROSS REFERENCE	
EBC	708
NEWFREN	.GF.1140
SBS	SBS2088
VESRAH	VB404

EQUIVALENT OE #	
OEM Kawasaki	41048 1122

FSB794

180.0 x 35.0 mm

KAWASAKI, KAWASAKI ATV

REAR

Springs NOT included



Drawing not in scale

CROSS REFERENCE	
EBC	710
NEWFREN	.GF.1141
SBS	SBS2197
VESRAH	VB419

EQUIVALENT OE #	
OEM Kawasaki	41048 1082

FSB795

200.0 x 35.0 mm

KAWASAKI

REAR

Springs included



Drawing not in scale

CROSS REFERENCE	
EBC	713
LUCAS	MCS851
NEWFREN	.GF.1142
SBS	SBS2091
VESRAH	VB405

EQUIVALENT OE #	
OEM Kawasaki	41048 1093

FSB796

220.0 x 25.0 mm

MOTO GUZZI

FRONT / REAR

Springs NOT included



Drawing not in scale

CROSS REFERENCE	
NEWFREN	.GF.0179

FSB797**120.0 x 28.0 mm**

KAWASAKI

FRONT / REAR

Springs included



Drawing not in scale

CROSS REFERENCE

EBC	704
NEWFREN	.GF.1148
SBS	SBS2039
VESRAH	VB408

FSB798**110.0 x 28.0 mm**

KAWASAKI

FRONT / REAR

Springs included



Drawing not in scale

CROSS REFERENCE

EBC	701
NEWFREN	.GF.1234
SBS	SBS2087
VESRAH	VB414

6048

FSB799

140.0 x 28.0 mm

KAWASAKI, KAWASAKI 3 WHEELERS, KAWASAKI ATV

FRONT / REAR

Springs included



Drawing not in scale

CROSS REFERENCE	
EBC	705
NEWFREN	.GF.1237
SBS	SBS2040
VESRAH	VB411

FSB800

180.0 x 30.0 mm

KAWASAKI

FRONT

Springs included



Drawing not in scale

CROSS REFERENCE	
EBC	711
LUCAS	MCS858
NEWFREN	.GF.1242

EQUIVALENT OE #	
OEM Kawasaki	41048 1090

FSB801

95.0 x 20.0 mm

KAWASAKI

FRONT

Springs included



Drawing not in scale

CROSS REFERENCE	
EBC	714
NEWFREN	.GF.1244
SBS	SBS2092
VESRAH	VB415

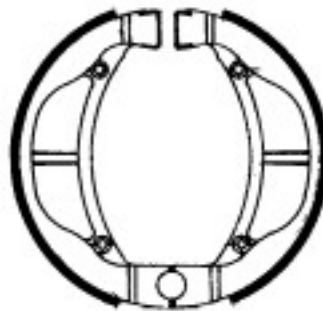
FSB802

90.0 x 20.0 mm

KAWASAKI

FRONT / REAR

Springs included



Drawing not in scale

CROSS REFERENCE	
EBC	715
LUCAS	MCS857
NEWFREN	.GF.1245
SBS	SBS2093
VESRAH	VB417

EQUIVALENT OE #	
OEM Kawasaki	41048 1083

6050

FSB803

118.0 x 24.0 mm

APRILIA, FANTIC, MALAGUTI

FRONT / REAR

Springs included



Drawing not in scale

CROSS REFERENCE

EBC	930
NEWFREN	.GF.0220

FSB804

200.0 x 25.0 mm

BMW

REAR

Springs NOT included



Drawing not in scale

CROSS REFERENCE

EBC	862
LUCAS	MCS942
NEWFREN	.GF.1219
SBS	SBS2141

EQUIVALENT OE

OEM BMW	34 21 2 311 082
---------	-----------------

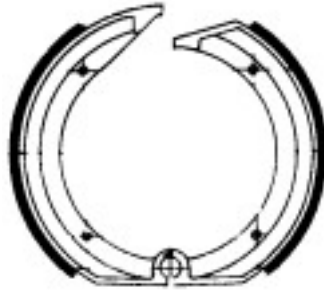
FSB805

200.0 x 23.0 mm

BMW

REAR

Springs NOT included



Drawing not in scale

CROSS REFERENCE	
EBC	863
LUCAS	MCS943
NEWFREN	.GF.1256

FSB806

200.0 x 30.0 mm

BMW

FRONT

Springs NOT included



Drawing not in scale

CROSS REFERENCE	
EBC	864
LUCAS	MCS944
NEWFREN	.GF.1257

EQUIVALENT OE #	
OEM BMW	34 11 2 311 079

FSB807

125.0 x 25.0 mm

BULTACO

FRONT / REAR

Springs included



Drawing not in scale

CROSS REFERENCE

EBC	831
NEWFREN	.GF.1137

FSB808

105.0 x 25.0 mm

DERBI

FRONT / REAR

Springs included



Drawing not in scale

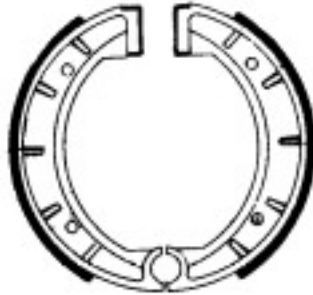
CROSS REFERENCE

EBC	999
NEWFREN	.GF.1249

FSB809**105.0 x 25.0 mm**

DERBI

FRONT / REAR

Springs NOT included

Drawing not in scale

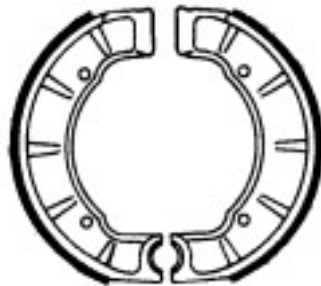
CROSS REFERENCE

EBC	986
NEWFREN	.GF.1261

FSB810**130.0 x 20.0 mm**

DERBI

FRONT / REAR

Springs included

Drawing not in scale

CROSS REFERENCE

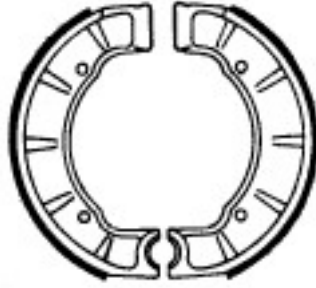
EBC	997
NEWFREN	.GF.1265

6054

FSB811**130.0 x 20.0 mm**

DERBI

FRONT / REAR

Springs NOT included

Drawing not in scale

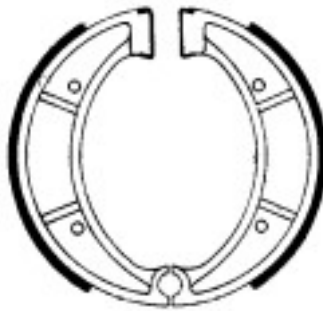
CROSS REFERENCE

EBC	866
NEWFREN	.GF.1267

FSB812**160.0 x 30.0 mm**

HUSQVARNA

FRONT / REAR

Springs included

Drawing not in scale

CROSS REFERENCE

EBC	802
NEWFREN	.GF.1152
SBS	SBS2117

FSB813

160.0 x 25.0 mm

HUSQVARNA

FRONT

Springs NOT included



Drawing not in scale

CROSS REFERENCE

CROSS REFERENCE	
EBC	803
NEWFREN	.GF.1160
SBS	SBS2118

FSB814

130.0 x 30.0 mm

HONDA, KTM

FRONT / REAR

Springs included



Drawing not in scale

CROSS REFERENCE

CROSS REFERENCE	
EBC	812
NEWFREN	.GF.1124
SBS	SBS2120

EQUIVALENT OE

EQUIVALENT OE #	
OEM KTM	55009035000

6056

FSB815

181.0 x 25.0 mm

KTM

FRONT / REAR

Springs included



Drawing not in scale

CROSS REFERENCE

EBC	813
NEWFREN	.GF.1126
SBS	SBS2121

FSB816

130.0 x 22.0 mm

ATK (USA), HUSQVARNA, KTM

FRONT / REAR

Springs included



Drawing not in scale

CROSS REFERENCE

EBC	814
NEWFREN	.GF.1185
SBS	SBS2122

EQUIVALENT OE

OEM KTM	54309035000
---------	-------------

FSB817

140.0 x 25.0 mm

KTM

FRONT

Springs included



Drawing not in scale

CROSS REFERENCE

EBC	811
NEWFREN	.GF.1159

FSB818

158.0 x 30.0 mm

BENELLI, DUCATI, MOTO GUZZI

FRONT / REAR

Springs included



Drawing not in scale

CROSS REFERENCE

EBC	929
NEWFREN	.GF.0183

FSB819

160.0 x 30.0 mm

MAICO

REAR

Springs included



Drawing not in scale

CROSS REFERENCE

EBC	822
NEWFREN	.GF.1044

FSB820

110.0 x 30.0 mm

MONTESA, MONTESA (HONDA), PUCH

FRONT / REAR

Springs included



Drawing not in scale

CROSS REFERENCE

EBC	933
NEWFREN	.GF.1154

FSB821

125.0 x 28.0 mm

MONTESA, MONTESA (HONDA)

FRONT

Springs included



Drawing not in scale

CROSS REFERENCE

EBC	937
NEWFREN	.GF.1176

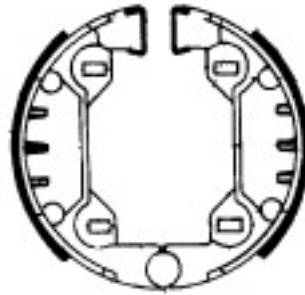
FSB822

80.0 x 20.0 mm

MOTOBECANE

FRONT / REAR

Springs included



Drawing not in scale

CROSS REFERENCE

EBC	878
NEWFREN	.GF.1128

FSB823**160.0 x 30.0 mm**

MZ

FRONT / REAR

Springs included



Drawing not in scale

CROSS REFERENCE	
EBC	978
LUCAS	MCS890
NEWFREN	.GF.1145
SBS	SBS2171

FSB824**140.0 x 30.0 mm**

MZ

FRONT / REAR

Springs included



Drawing not in scale

CROSS REFERENCE	
EBC	979
LUCAS	MCS891
NEWFREN	.GF.1260
SBS	SBS2172

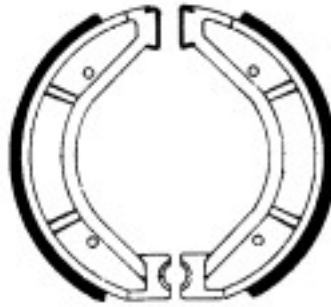
FSB825

122.0 x 30.0 mm

OSSA

FRONT / REAR

Springs included



Drawing not in scale

CROSS REFERENCE

EBC	934
NEWFREN	.GF.1153

FSB826

110.0 x 25.0 mm

CAGIVA, OSSA, PUCH

FRONT / REAR

Springs included



Drawing not in scale

CROSS REFERENCE

EBC	935
NEWFREN	.GF.1155

FSB827

120.0 x 25.0 mm

FB MINARELLI, OSSA, PUCH, RIEJU

FRONT / REAR

Springs included



Drawing not in scale

CROSS REFERENCE

EBC	936
NEWFREN	.GF.1156

FSB828

150.0 x 30.0 mm

OSSA

REAR

Springs NOT included



Drawing not in scale

CROSS REFERENCE

EBC	990
NEWFREN	.GF.1183

FSB829**140.0 x 20.0 mm**

GILERA

REAR

Springs included

Drawing not in scale

CROSS REFERENCE	
EBC	883
NEWFREN	.GF.0247

FSB831**95.0 x 22.0 mm**

PUCH

FRONT / REAR

Springs included

Drawing not in scale

CROSS REFERENCE	
EBC	998
NEWFREN	.GF.1250

6064

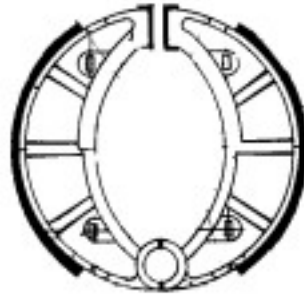
FSB832

110.0 x 25.0 mm

FB MINARELLI, RIEJU

FRONT / REAR

Springs included



Drawing not in scale

CROSS REFERENCE

EBC	985
NEWFREN	.GF.1241

FSB833

124.0 x 28.0 mm

APRILIA, CAGIVA, HRD, TRE SOLDI, VALENTI

FRONT / REAR

Springs included



Drawing not in scale

CROSS REFERENCE

EBC	944
NEWFREN	.GF.1181

FSB834

124.0 x 28.0 mm

APRILIA, GILERA, KRAMER, VALENTI

FRONT / REAR

Springs included



Drawing not in scale

CROSS REFERENCE

EBC	955
NEWFREN	.GF.1182

FSB835

150.0 x 25.0 mm

ZUNDAPP

REAR

Springs included



Drawing not in scale

CROSS REFERENCE

EBC	975
NEWFREN	.GF.1084

FSB836**120.0 x 25.0 mm**

ZUNDAPP

FRONT / REAR

Springs included



Drawing not in scale

CROSS REFERENCE

EBC	976
NEWFREN	.GF.1088

FSB837**124.0 x 25.0 mm**

BENELLI, ITALJET

FRONT / REAR

Springs included



Drawing not in scale

CROSS REFERENCE

EBC	965
NEWFREN	.GF.0218

FSB838**140.0 x 25.0 mm**

GILERA

REAR

Springs included



Drawing not in scale

CROSS REFERENCE

EBC	954
NEWFREN	.GF.0214

FSB839**152.0 x 25.0 mm**

INNOCENTI

FRONT / REAR

Springs NOT included



Drawing not in scale

CROSS REFERENCE

EBC	958
NEWFREN	.GF.0089

6068

FSB840**150.0 x 17.0 mm**

INNOCENTI

FRONT / REAR

Springs included



Drawing not in scale

CROSS REFERENCE

NEWFREN	.GF.0149
---------	----------

FSB841**130.0 x 25.0 mm**

CAGIVA

REAR

Springs included



Drawing not in scale

CROSS REFERENCE

EBC	977
NEWFREN	.GF.0232

FSB842**150.0 x 22.0 mm**

INNOCENTI

FRONT / REAR

Springs **NOT** included

Drawing not in scale

CROSS REFERENCE

EBC	989
NEWFREN	.GF.0150

FSB843**152.0 x 25.0 mm**

INNOCENTI

FRONT / REAR

Springs **NOT** included

Drawing not in scale

CROSS REFERENCE

EBC	959
NEWFREN	.GF.0170

6070

FSB844**125.0 x 22.0 mm**

CAGIVA, GILERA

REAR

Springs included



Drawing not in scale

CROSS REFERENCE

EBC	845
NEWFREN	.GF.0219

FSB845**130.0 x 30.0 mm**

CAGIVA

REAR

Springs NOT included



Drawing not in scale

CROSS REFERENCE

EBC	982
NEWFREN	.GF.0235

FSB846**125.0 x 26.0 mm**

CAGIVA

REAR

Springs included



Drawing not in scale

CROSS REFERENCE

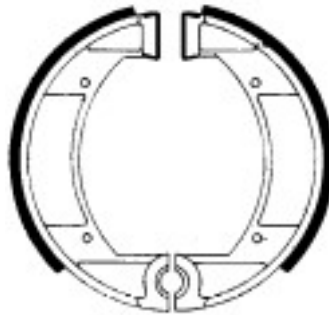
EBC	943
NEWFREN	.GF.0225

FSB847**136.0 x 25.0 mm**

FANTIC, GILERA, MAICO, MOTO GUZZI, MOTO MORINI

FRONT / REAR

Springs included



Drawing not in scale

CROSS REFERENCE

EBC	821
NEWFREN	.GF.0084

6072

FSB848**130.0 x 30.0 mm**

CAGIVA

REAR

Springs included



Drawing not in scale

CROSS REFERENCE

EBC	953
NEWFREN	.GF.0226

FSB849**160.0 x 25.0 mm**

CAGIVA

FRONT / REAR

Springs included



Drawing not in scale

CROSS REFERENCE

EBC	842
NEWFREN	.GF.0213

FSB850

162.0 x 25.0 mm

HUSQVARNA

FRONT / REAR

Springs included



Drawing not in scale

CROSS REFERENCE	
EBC	801
NEWFREN	.GF.1110
SBS	SBS2116

EQUIVALENT OE #	
OEM Husqvarna	1516-54301

FSB851

140.0 x 30.0 mm

MONTESA

FRONT

Springs NOT included



Drawing not in scale

CROSS REFERENCE	
EBC	865
NEWFREN	.GF.1266

FSB852

150.0 x 25.0 mm

BETA, MOTO MORINI, PUCH

REAR

Springs included



Drawing not in scale

CROSS REFERENCE

EBC	927
NEWFREN	.GF.0208

FSB853

180.0 x 35.0 mm

CAGIVA, MOTO MORINI

REAR

Springs included



Drawing not in scale

CROSS REFERENCE

EBC	948
NEWFREN	.GF.0212

FSB854**160.0 x 35.0 mm**

CZ

FRONT / REAR

Springs included



Drawing not in scale

CROSS REFERENCE	
EBC	949
NEWFREN	.GF.1131

FSB855**160.0 x 35.0 mm**

CZ

FRONT

Springs included



Drawing not in scale

CROSS REFERENCE	
EBC	951
NEWFREN	.GF.1133

6076

FSB856

140.0 x 25.0 mm

BENELLI

FRONT / REAR

Springs NOT included



Drawing not in scale

CROSS REFERENCE

EBC	992
NEWFREN	.GF.0236

FSB857

140.0 x 30.0 mm

BULTACO, MONTESA

FRONT / REAR

Springs included



Drawing not in scale

CROSS REFERENCE

EBC	833
NEWFREN	.GF.1135

EQUIVALENT OE

OEM Bultaco	48 06 056
-------------	-----------

FSB858

135.0 x 25.0 mm

CAGIVA

REAR

Springs included



Drawing not in scale

CROSS REFERENCE

EBC	844
NEWFREN	.GF.0203

FSB859

140.0 x 25.0 mm

CAGIVA

REAR

Springs included



Drawing not in scale

CROSS REFERENCE

EBC	947
NEWFREN	.GF.0209

FSB860

120.0 x 24.0 mm

CASAL

FRONT / REAR

Springs **NOT** included



Drawing not in scale

CROSS REFERENCE

EBC	894
NEWFREN	.GF.1283

FSB861

140.0 x 35.0 mm

CASAL

FRONT / REAR

Springs **NOT** included



Drawing not in scale

CROSS REFERENCE

EBC	895
NEWFREN	.GF.1284

FSB862

110.0 x 25.0 mm

ITALJET

REAR

Springs included



Drawing not in scale

CROSS REFERENCE

EBC	887
NEWFREN	.GF.0253

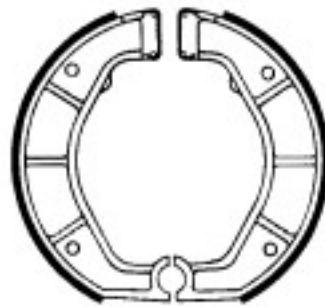
FSB863

200.0 x 27.0 mm

BMW

REAR

Springs NOT included



Drawing not in scale

CROSS REFERENCE

EBC	859
LUCAS	MCS945
NEWFREN	.GF.1294
SBS	SBS2143

FSB864**100.0 x 20.0 mm**

MOTOBECANE

REAR

Springs included



Drawing not in scale

CROSS REFERENCE

EBC	873
NEWFREN	.GF.1180

FSB865**80.0 x 20.0 mm**

MOBYLETTE

FRONT

Springs included



Drawing not in scale

CROSS REFERENCE

EBC	876
NEWFREN	.GF.1271

FSB866**100.0 x 23.0 mm**

MOBYLETTE

REAR

Springs **NOT** included

Drawing not in scale

CROSS REFERENCE

EBC	888
NEWFREN	.GF.1272

FSB867**105.0 x 25.0 mm**

DERBI

FRONT / REAR

Springs **included**

Drawing not in scale

CROSS REFERENCE

EBC	880
NEWFREN	.GF.1277

FSB869

150.0 x 25.0 mm

PIAGGIO

FRONT

Springs included



Drawing not in scale

CROSS REFERENCE

EBC	901
NEWFREN	.GF.0024

FSB870

90.0 x 20.0 mm

GARELLI

FRONT

Springs included



Drawing not in scale

CROSS REFERENCE

EBC	877
NEWFREN	.GF.0246

FSB871**90.0 x 20.0 mm**

MBK

FRONT / REAR

Springs included



Drawing not in scale

CROSS REFERENCE

EBC	867
NEWFREN	.GF.1262

FSB872**190.0 x 47.0 mm**

PIAGGIO (motocarri)

FRONT

Springs included



Drawing not in scale

CROSS REFERENCE

EBC	993/994
NEWFREN	.GF.0242/3

FSB873**127.0 x 23.0 mm**

PIAGGIO

REAR

Springs included



Drawing not in scale

CROSS REFERENCE

EBC	911
NEWFREN	.GF.0127

6084

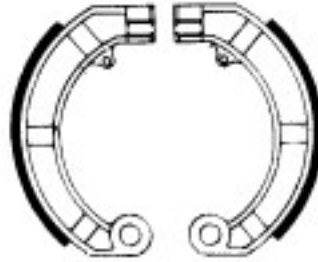
FSB874

150.0 x 24.0 mm

PIAGGIO, PIAGGIO (Spain)

FRONT / REAR

Springs included



Drawing not in scale

CROSS REFERENCE	
EBC	903
LUCAS	MCS980
NEWFREN	.GF.0128
SBS	SBS2146

FSB875

127.0 x 23.0 mm

PIAGGIO

REAR

Springs included



Drawing not in scale

CROSS REFERENCE	
EBC	910
NEWFREN	.GF.0087

FSB876

160.0 x 30.0 mm

APRILIA, BETA, DUCATI, FANTIC, GARELLI, GILERA, LAVERDA, MOTO MORINI,
PUCH

REAR

Springs included



Drawing not in scale

CROSS REFERENCE

EBC	921
NEWFREN	.GF.0201

FSB877

90.0 x 18.0 mm

BENELLI, FANTIC, GARELLI, PUCH

FRONT / REAR

Springs NOT included



Drawing not in scale

CROSS REFERENCE

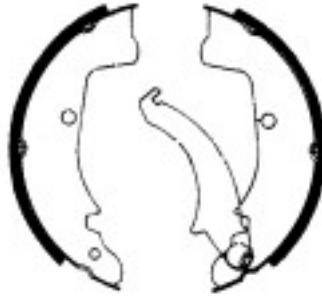
EBC	945
NEWFREN	.GF.1151

FSB878**180.0 x 41.0 mm**

PIAGGIO (motocarri)

FRONT

Springs included



Drawing not in scale

CROSS REFERENCE

EBC	917/918
NEWFREN	.GF.0197/8

FSB879**127.0 x 28.0 mm**

PIAGGIO

REAR

Springs included



Drawing not in scale

CROSS REFERENCE

EBC	902
NEWFREN	.GF.0160

FSB880**220.0 x 40.0 mm**

MOTO GUZZI

FRONT

Springs **NOT** included

Drawing not in scale

CROSS REFERENCE

NEWFREN

.GF.0176

FSB881**220.0 x 40.0 mm**

MOTO GUZZI

REAR

Springs **included**

Drawing not in scale

CROSS REFERENCE

NEWFREN

.GF.0177

6088

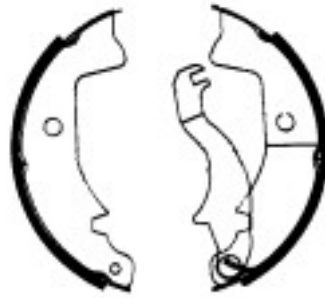
FSB882

180.0 x 41.0 mm

PIAGGIO (motocarri)

FRONT

Springs included



Drawing not in scale

CROSS REFERENCE	
EBC	915/916
NEWFREN	.GF.0166/7

FSB883

110.0 x 23.0 mm

PGO, SUZUKI

REAR

Springs included



Drawing not in scale

CROSS REFERENCE	
EBC	897
LUCAS	MCS990
NEWFREN	.GF.1300
SBS	SBS2188
VESRAH	VB330

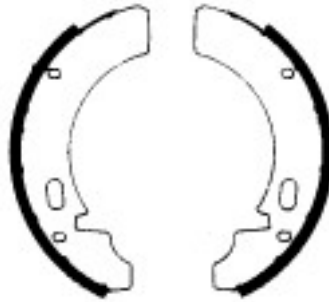
FSB884

170.0 x 30.0 mm

PIAGGIO (motocarri)

REAR

Springs NOT included



Drawing not in scale

CROSS REFERENCE	
EBC	914
NEWFREN	.GF.0115

FSB885

125.0 x 20.0 mm

PIAGGIO

REAR

Springs included



Drawing not in scale

CROSS REFERENCE	
EBC	906
NEWFREN	.GF.0130

FSB886

160.0 x 32.0 mm

PIAGGIO (motocarri)

REAR

Springs NOT included



Drawing not in scale

CROSS REFERENCE

EBC	912
NEWFREN	.GF.0174

FSB887

150.0 x 24.0 mm

FANTIC, PIAGGIO

REAR

Springs NOT included



Drawing not in scale

CROSS REFERENCE

EBC	942
NEWFREN	.GF.0224

FSB888

190.0 x 18.0 mm

PIAGGIO (moped)

REAR

Springs NOT included



Drawing not in scale

CROSS REFERENCE	
EBC	868
NEWFREN	.GF.0234

FSB889

135.0 x 16.0 mm

GILERA, ITALJET, PIAGGIO (moped)

REAR

Springs NOT included



Drawing not in scale

CROSS REFERENCE	
EBC	907
NEWFREN	.GF.0190

EQUIVALENT OE #	
OEM Gilera	4145574

FSB890

125.0 x 17.0 mm

PIAGGIO, PIAGGIO (motocarri), PIAGGIO (Spain)

FRONT

Springs included



Drawing not in scale

CROSS REFERENCE

EBC	905
LUCAS	MCS981
NEWFREN	.GF.0162

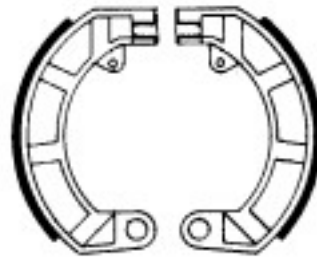
FSB891

150.0 x 24.0 mm

PIAGGIO

REAR

Springs included



Drawing not in scale

CROSS REFERENCE

EBC	904
LUCAS	MCS986
NEWFREN	.GF.0159

FSB892

170.0 x 25.0 mm

PIAGGIO

REAR

Springs NOT included



Drawing not in scale

CROSS REFERENCE	
EBC	881
LUCAS	MCS983
NEWFREN	.GF.0249
SBS	SBS2185

FSB893

170.0 x 25.0 mm

PIAGGIO

FRONT

Springs NOT included



Drawing not in scale

CROSS REFERENCE	
EBC	882
LUCAS	MCS982
NEWFREN	.GF.0250
SBS	SBS2184

EQUIVALENT OE #	
OEM Piaggio	414429

FSB894

110.0 x 25.0 mm

PIAGGIO

FRONT

Springs included



Drawing not in scale

CROSS REFERENCE	
EBC	885
LUCAS	MCS987
NEWFREN	.GF.0251
SBS	SBS2186

EQUIVALENT OE #	
OEM Piaggio	2691825

FSB895

100.0 x 20.0 mm

GILERA, PIAGGIO

REAR

Springs included



Drawing not in scale

CROSS REFERENCE	
EBC	886
NEWFREN	.GF.0252
SBS	SBS2187

EQUIVALENT OE #	
OEM Piaggio	1272714

FSB896**110.0 x 22.0 mm**

PIAGGIO

FRONT / REAR

Springs included



Drawing not in scale

CROSS REFERENCE

EBC	890
NEWFREN	.GF.0254

FSB897**123.0 x 25.0 mm**

BETA, FANTIC, GILERA, MALAGUTI, MOTO GUZZI

FRONT / REAR

Springs included



Drawing not in scale

CROSS REFERENCE

EBC	922
NEWFREN	.GF.0097

6096

FSB898

125.0 x 25.0 mm

ACCOSSATO, ANCILLOTTI, APRILIA, ASPES, BETA, CAGIVA, FANTIC,
GARELLI, GILERA, MALANCA, PUCH, SWM

FRONT / REAR

Springs included



Drawing not in scale

CROSS REFERENCE

EBC	841
NEWFREN	.GF.0200

FSB899

125.0 x 25.0 mm

BETA, FANTIC

FRONT / REAR

Springs included



Drawing not in scale

CROSS REFERENCE

EBC	939
NEWFREN	.GF.0221

FSB900

118.0 x 24.0 mm

APRILIA, FANTIC

REAR

Springs included



Drawing not in scale

CROSS REFERENCE

EBC	995
NEWFREN	.GF.0244

FSB901

140.0 x 25.0 mm

ANCILLOTTI, APRILIA, ASPES, BETA, CAGIVA, FANTIC, GILERA, KRAMER,
MOTO MORINI, PUCH, SWM

FRONT / REAR

Springs included



Drawing not in scale

CROSS REFERENCE

EBC	843
NEWFREN	.GF.0204

FSB902

90.0 x 18.0 mm

BENELLI, BETA, FANTIC, GARELLI, GILERA, MALAGUTI, MOTO GUZZI, PIAGGIO, PIAGGIO (moped), PIAGGIO (Spain), RIZZATO, TOMOS

FRONT / REAR

Springs included



Drawing not in scale

CROSS REFERENCE	
EBC	908
LUCAS	MCS988
NEWFREN	.GF.0151

EQUIVALENT OE #	
OEM Gilera	267126

FSB903

104.0 x 22.0 mm

GARELLI

FRONT

Springs included



Drawing not in scale

CROSS REFERENCE	
EBC	988
NEWFREN	.GF.0228

FSB904

125.0 x 25.0 mm

ACCOSSATO, APRILIA, TRE SOLDI

FRONT / REAR

Springs NOT included



Drawing not in scale

CROSS REFERENCE

EBC	940
NEWFREN	.GF.0222

FSB905

123.0 x 25.0 mm

BETA

REAR

Springs included



Drawing not in scale

CROSS REFERENCE

NEWFREN	.GF.0097/A
---------	------------

FSB906

104.0 x 22.0 mm

GARELLI, PEUGEOT

FRONT

Springs included



Drawing not in scale

CROSS REFERENCE

EBC	996
NEWFREN	.GF.0245

FSB907

118.0 x 20.0 mm

ACCOSSATO, APRILIA, ASPES, BETA, FANTIC, GARELLI, MALAGUTI, MOTO GUZZI, RIZZATO, SWM

FRONT / REAR

Springs included



Drawing not in scale

CROSS REFERENCE

EBC	926
NEWFREN	.GF.0153

EQUIVALENT OE

OEM Malagutti	11907700
---------------	----------

FSB908

90.0 x 18.0 mm

BENELLI, GARELLI, MALAGUTI, PIAGGIO (moped), PUCH

FRONT / REAR

Springs included



Drawing not in scale

CROSS REFERENCE

EBC	931
NEWFREN	.GF.0210

FSB909

125.0 x 25.0 mm

APRILIA

REAR

Springs included



Drawing not in scale

CROSS REFERENCE

EBC	981
NEWFREN	.GF.0233

FSB910

105.0 x 20.0 mm

BETA, FANTIC, GARELLI, GILERA, ITALJET, PIAGGIO (moped), PIAGGIO (Spain), RIZZATO

FRONT / REAR

Springs included



Drawing not in scale

CROSS REFERENCE	
EBC	909
NEWFREN	.GF.0152
SBS	SBS2196

EQUIVALENT OE #	
OEM Piaggio	414497

FSB911

125.0 x 25.0 mm

APRILIA, GARELLI, GILERA, MOTO GUZZI, TRE SOLDI

FRONT / REAR

Springs included



Drawing not in scale

CROSS REFERENCE	
EBC	952
NEWFREN	.GF.0200/A

FSB912

150.0 x 18.0 mm

PIAGGIO (Spain)

REAR

Springs included



Drawing not in scale

CROSS REFERENCE

EBC	924
NEWFREN	.GF.0215

FSB913

130.0 x 22.0 mm

YAMAHA

FRONT

Springs included



Drawing not in scale

CROSS REFERENCE

EBC	507
NEWFREN	.GF.1162
SBS	SBS2033
VESRAH	VB219

EQUIVALENT OE

OEM Yamaha	322 W2535 10
------------	--------------

FSB914

110.0 x 25.0 mm

ITALJET, RAPIDO

FRONT

Springs included



Drawing not in scale

CROSS REFERENCE

EBC	892
NEWFREN	.GF.0256

FSB915

104.0 x 20.0 mm

PIAGGIO

FRONT / REAR

Springs included



Drawing not in scale

CROSS REFERENCE

EBC	896
LUCAS	MCS985
NEWFREN	.GF.0257

FSB916

138.0 x 25.0 mm

BSA, TRIUMPH

FRONT / REAR

Springs included



Drawing not in scale

CROSS REFERENCE

EBC	858
NEWFREN	.GF.1075

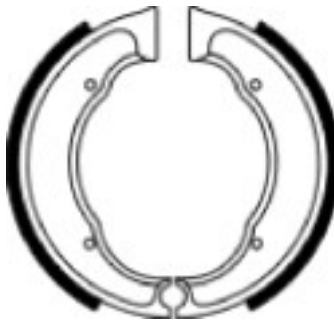
FSB917

127.0 x 16.0 mm

BSA

FRONT / REAR

Springs NOT included



Drawing not in scale

CROSS REFERENCE

NEWFREN	.GF.1076
---------	----------

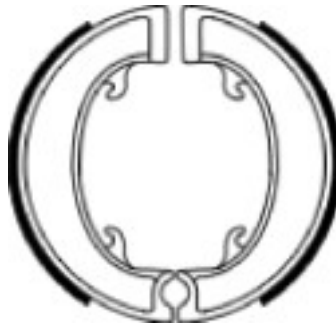
FSB918

150.0 x 22.0 mm

BSA

FRONT / REAR

Springs NOT included



Drawing not in scale

CROSS REFERENCE

NEWFREN	.GF.1081
---------	----------

FSB919

180.0 x 25.0 mm

TRIUMPH

FRONT

Springs included



Drawing not in scale

CROSS REFERENCE

EBC	853
NEWFREN	.GF.1090

FSB920**200.0 x 30.0 mm**

NORTON

FRONT

Springs NOT included



Drawing not in scale

CROSS REFERENCE

EBC	852
NEWFREN	.GF.1091

FSB921**200.0 x 40.0 mm**

TRIUMPH

REAR

Springs included



Drawing not in scale

CROSS REFERENCE

EBC	854
NEWFREN	.GF.1092

FSB922

180.0 x 30.0 mm

NORTON

REAR

Springs included



Drawing not in scale

CROSS REFERENCE

EBC	851
NEWFREN	.GF.1104

FSB923

200.0 x 30.0 mm

NORTON

FRONT

Springs NOT included



Drawing not in scale

CROSS REFERENCE

NEWFREN	.GF.1111
---------	----------

FSB924

180.0 x 28.0 mm

BSA

REAR

Springs NOT included



Drawing not in scale

CROSS REFERENCE

NEWFREN	.GF.1112
---------	----------

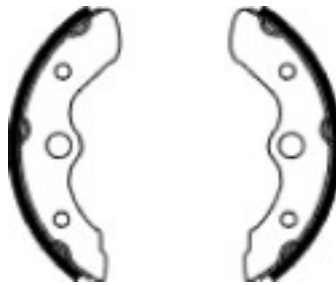
FSB925

160.0 x 30.0 mm

HONDA, HONDA ATV

FRONT

Springs NOT included



Drawing not in scale

CROSS REFERENCE

EBC	339
NEWFREN	.GF.1212
SBS	SBS2044
VESRAH	VB147

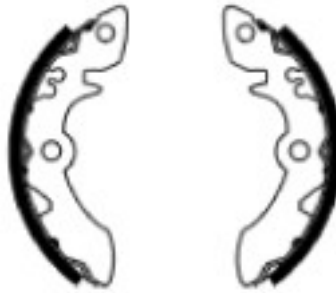
FSB927

140.0 x 20.0 mm

SUZUKI ATV

FRONT

Springs included



Drawing not in scale

CROSS REFERENCE	
EBC	625
NEWFREN	.GF.1201
SBS	SBS2051

FSB928

160.0 x 30.0 mm

YAMAHA ATV

FRONT

Springs included



Drawing not in scale

CROSS REFERENCE	
EBC	520
NEWFREN	.GF.1273
SBS	SBS2114

FSB929

180.0 x 30.0 mm

SUZUKI ATV

FRONT

Springs included



Drawing not in scale

CROSS REFERENCE

EBC	633
NEWFREN	.GF.1302

FSB931

160.0 x 20.0 mm

HONDA ATV

FRONT

Springs included



Drawing not in scale

CROSS REFERENCE

EBC	347
NEWFREN	.GF.1276
SBS	SBS2085

FSB932

160.0 x 30.0 mm

KAWASAKI ATV

FRONT

Springs included



Drawing not in scale

CROSS REFERENCE

EBC	717
NEWFREN	.GF.1274
SBS	SBS2054

FSB933

160.0 x 25.0 mm

YAMAHA ATV

FRONT

Springs included



Drawing not in scale

CROSS REFERENCE

EBC	524
NEWFREN	.GF.1291
SBS	SBS2178

FSB934

165.0 x 32.0 mm

KAWASAKI ATV, SUZUKI ATV

FRONT

Springs included



Drawing not in scale

CROSS REFERENCE	
EBC	628
NEWFREN	.GF.1275
SBS	SBS2053

EQUIVALENT OE #	
OEM Suzuki	54410 19B10

FSB935

190.0 x 47.0 mm

PIAGGIO (motocarri)

FRONT / REAR

Springs included



Drawing not in scale

CROSS REFERENCE	
NEWFREN	.GF.0258/9

FSB936

85.0 x 20.0 mm

CZ

FRONT

Springs NOT included



Drawing not in scale

CROSS REFERENCE	
EBC	804
LUCAS	MCS920
NEWFREN	.GF.1279

FSB937

80.0 x 16.0 mm

PIAGGIO (moped), PUCH

FRONT / REAR

Springs NOT included



Drawing not in scale

CROSS REFERENCE	
EBC	900
NEWFREN	.GF.0260

FSB938

110.0 x 25.0 mm

GILERA, PIAGGIO

FRONT / REAR

Springs included



Drawing not in scale

CROSS REFERENCE	
EBC	899
NEWFREN	.GF.0261
SBS	SBS2195

EQUIVALENT OE #	
OEM Aprilia	56292R
OEM Piaggio	2736235
OEM Piaggio	2721845
OEM Piaggio	56292R

FSB939

125.0 x 25.0 mm

APRILIA

FRONT

Springs included



Drawing not in scale

CROSS REFERENCE	
EBC	805
NEWFREN	.GF.0262

FSB940

100.0 x 20.0 mm

GILERA, PIAGGIO

REAR

Springs included



Drawing not in scale

CROSS REFERENCE	
EBC	806
LUCAS	MCS989
NEWFREN	.GF.0263
SBS	SBS2200

EQUIVALENT OE #	
OEM Piaggio	2727115

FSB941

110.0 x 25.0 mm

MALAGUTI

REAR

Springs included



Drawing not in scale

CROSS REFERENCE	
EBC	807
NEWFREN	.GF.0264

FSB942

160.0 x 25.0 mm

HONDA

FRONT

Springs included



Drawing not in scale

CROSS REFERENCE

EBC	311
NEWFREN	.GF.1209
VESRAH	VB124

FSB943

180.0 x 30.0 mm

HONDA

FRONT

Springs included



Drawing not in scale

CROSS REFERENCE

EBC	314
NEWFREN	.GF.1210
SBS	SBS2071
VESRAH	VB119

EQUIVALENT OE

OEM Honda	45120 286 000
OEM Honda	45120 369 670

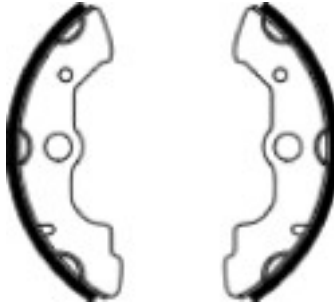
FSB944

160.0 x 30.0 mm

HONDA ATV

FRONT

Springs included



Drawing not in scale

CROSS REFERENCE

EBC	342
NEWFREN	.GF.1258
SBS	SBS2045

FSB945

130.0 x 25.0 mm

HONDA, HONDA ATV

FRONT

Springs NOT included



Drawing not in scale

CROSS REFERENCE

EBC	345
NEWFREN	.GF.1263
VESRAH	VB152

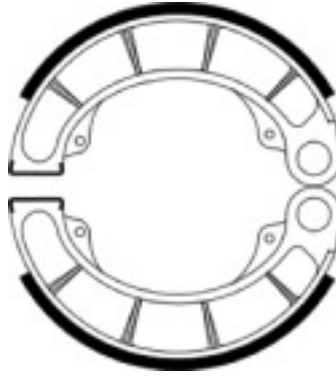
FSB946

160.0 x 30.0 mm

HONDA, HONDA ATV

REAR

Springs included



Drawing not in scale

CROSS REFERENCE	
EBC	351
LUCAS	MCS995
NEWFREN	.GF.1305
SBS	SBS2198
SBS	SBS2207
VESRAH	VB157

EQUIVALENT OE #	
OEM Honda	06430 KFG 000

FSB947

130.0 x 28.0 mm

APRILIA, BENELLI, ITALJET, MBK, YAMAHA, YAMAHA ATV

FRONT / REAR

Springs included



Drawing not in scale

CROSS REFERENCE	
EBC	527
LUCAS	MCS968
NEWFREN	.GF.1303
SBS	SBS2199
VESRAH	VB239

EQUIVALENT OE #	
OEM Yamaha	3LS W253E 00

FSB948

159.0 x 25.0 mm

YAMAHA ATV

FRONT / REAR

Springs included



Drawing not in scale

CROSS REFERENCE	
EBC	528
NEWFREN	.GF.1304

EQUIVALENT OE #	
OEM Yamaha	4XE WF531 00

FSB950

200.0 x 40.0 mm

SUZUKI

FRONT

Springs NOT included



Drawing not in scale

CROSS REFERENCE	
EBC	612
NEWFREN	.GF.1224

FSB951

150.0 x 18.0 mm

PIAGGIO

REAR

Springs NOT included



Drawing not in scale

CROSS REFERENCE

EBC	809
NEWFREN	.GF.0265

FSB952

105.0 x 22.0 mm

PIAGGIO, PIAGGIO (moped)

FRONT / REAR

Springs included



Drawing not in scale

CROSS REFERENCE

EBC	808
NEWFREN	.GF.0266

REPLACED BY FSB954



Drawing not in scale

CROSS REFERENCE	
EBC	810
NEWFREN	.GF.0267
SBS	SBS2204

EQUIVALENT OE #	
OEM Aprilia	56294R
OEM Aprilia	56293R
OEM Aprilia	CM060402
OEM Piaggio	82595R
OEM Piaggio	56293R

APRILIA, GILERA, PIAGGIO

REAR

Springs included



Drawing not in scale

CROSS REFERENCE	
EBC	816
LUCAS	MCS994
NEWFREN	.GF.0268
SBS	SBS2205

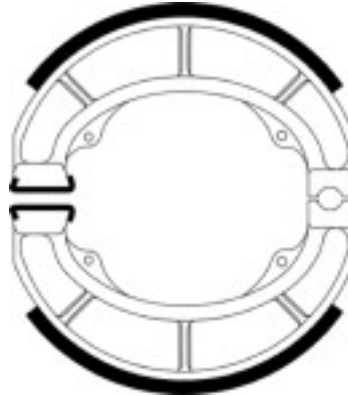
FSB956

130.0 x 20.0 mm

APRILIA

REAR

Springs included



Drawing not in scale

CROSS REFERENCE	
EBC	817
NEWFREN	.GF.1308
SBS	SBS2201

EQUIVALENT OE #	
OEM Aprilia	8213424

FSB957

130.0 x 28.0 mm

SUZUKI

REAR

Springs included



Drawing not in scale

CROSS REFERENCE	
EBC	635
NEWFREN	.GF.1309
SBS	SBS2202

FSB958

130.0 x 25.0 mm

KYMCO, MALAGUTI

REAR

Springs included



Drawing not in scale

CROSS REFERENCE	
EBC	818
NEWFREN	.GF.1310
SBS	SBS2203

EQUIVALENT OE #	
OEM Kymco	4312A KUDU 920

FSB959

150.0 x 30.0 mm

SYM

REAR

Springs included



Drawing not in scale

CROSS REFERENCE	
EBC	819
NEWFREN	.GF.1311

FSB960**130.0 x 28.0 mm**

SYM

REAR

Springs included



Drawing not in scale

CROSS REFERENCE

EBC	820
NEWFREN	.GF.1312

FSB962**130.0 x 25.0 mm**

PEUGEOT

REAR

Springs included



Drawing not in scale

CROSS REFERENCE

EBC	857
NEWFREN	.GF.1314

6126

FSB963

130.0 x 25.0 mm

HONDA

REAR

Springs included



Drawing not in scale

CROSS REFERENCE	
EBC	352
NEWFREN	.GF.1316

EQUIVALENT OE #	
OEM Honda	06430 GBJ K20

FSB964

130.0 x 28.0 mm

DAELIM

REAR

Springs included



Drawing not in scale

CROSS REFERENCE	
EBC	824
NEWFREN	.GF.1317

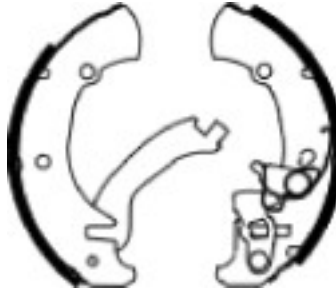
FSB965

200.0 x 38.0 mm

PIAGGIO (motocarri)

REAR

Springs included



Drawing not in scale

CROSS REFERENCE

NEWFREN	.GF.0269
---------	----------

FSB966

123.0 x 28.0 mm

ARCTIC CAT ATV, CAN AM ATV, KYMCO ATV, POLARIS ATV, SYM

REAR

Springs NOT included



Drawing not in scale

CROSS REFERENCE

EBC	307
NEWFREN	.GF.1207
VESRAH	VB123

Springs included

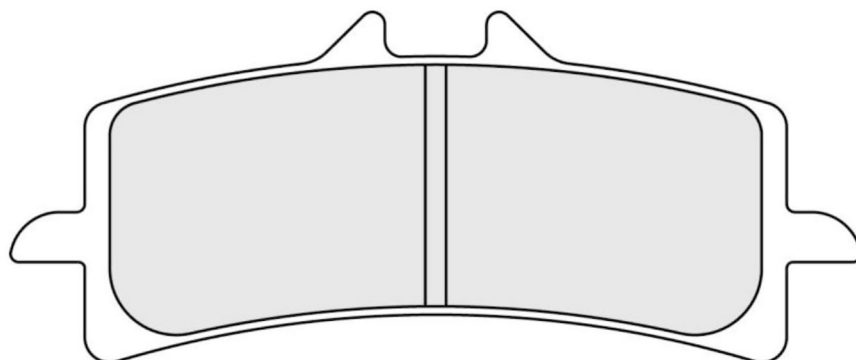
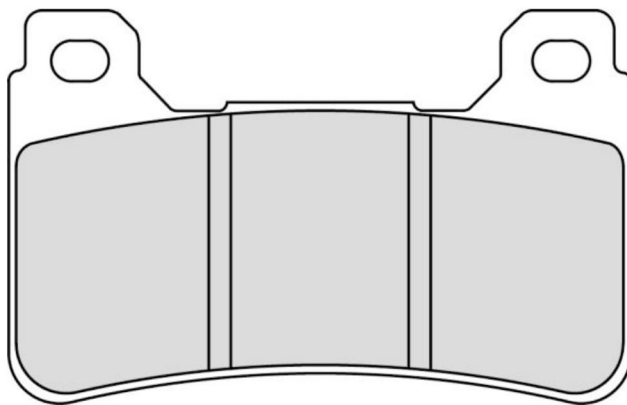
Drawing not in scale

CROSS REFERENCE	
EBC	533
NEWFREN	.GF.1318

EQUIVALENT OE #	
OEM Yamaha	5ML X2533 00

FERODO™

MOTORCYCLE PADS



BRAKE PADS XREF

Competitors to Ferodo

FERODO™

MOTORCYCLE PADS

BRAKE PADS X-REF

COMPETITORS TO FERODO

BRKING	Ferodo	BREMBO	Ferodo	BREMBO	Ferodo	BREMBO	Ferodo
686	FDB381	07GR18	FDB2266	07HO2807	FDB533	07PO07	FDB2236
720	FDB664	07GR20	FDB2262	07HO2807	FDB858	07SU0125	FDB150
888	FDB2142	07GR2004	FDB784	07HO2911	FDB496	07SU0220	FDB178
960	FDB2265	07GR2004	FDB2100	07HO3005	FDB570	07SU0312	FDB218
961	FDB2264	07GR2106	FDB782	07HO3405	FDB570	07SU0412	FDB217
		07GR35	FDB2198	07HO3405	FDB2187	07SU0607	FDB389
		07GR49	FDB2148	07HO3405	FDB2225	07SU0707	FDB390
BREMBO	Ferodo	07GR50	FDB2149	07HO3509	FDB663	07SU0808	FDB673
07.8354.24	FDB2228	07GR50	FDB2235	07HO3607	FDB754	07SU0904	FDB404
07.92.8720	FDB2210	07GR5105	FDB2103	07HO3807	FDB625	07SU1005	FDB437
07.9340.10	FDB2122	07GR5209	FDB2184	07HO3907	FDB2002	07SU1132	FDB2013
07.9340.20	FDB2170	07GR54	FDB2175	07HO4108	FDB664	07SU1215	FDB497
07.9340.90	FDB2171	07GR5605	FDB498	07HO4206	FDB2073	07SU1306	FDB151
07093	FDB2264	07GR5804	FDB2109	07HO4206	FDB2098	07SU1306	FDB569
07BB01..	FDB207	07GR5915	FDB155	07HO4507	FDB2079	07SU1407	FDB557
07BB0210	FDB2005	07GR6207	FDB2124	07HO4507	FDB2114	07SU1509	FDB606
07BB0311	FDB2006	07GR6610	FDB342	07HO4905	FDB2143	07SU1718	FDB607
07BB0410	FDB2018	07GR68	FDB2145	07HO50	FDB2181	07SU1907	FDB873
07BB0410	FDB2039	07GR69	FDB2157	07HO50	FDB2205	07SU1907	FDB2144
07BB0510	FDB2120	07GR70	FDB2183	07HO55	FDB2182	07SU2007	FDB2058
07BB0510	FDB2215	07GR72	FDB2201	07HO5606	FDB2169	07SU26	FDB2164
07BB0606	FDB592	07GR76	FDB2244	07HO57	FDB2196	07SU26	FDB2203
07BB0708	FDB731	07GR7707	FDB2216	07HO58	FDB2195	07SU27	FDB2178
07BB0810	FDB2062	07HD0105	FDB185	07HO59	FDB2221	07SU27	FDB2204
07BB0907	FDB499	07HD0202	FDB333	07HP48SD	FDB2139	07SU2906	FDB2016
07BB1205	FRP405	07HD0303	FDB334	07KA0122	FDB132	07SU30	FDB2163
07BB1205	FDB2107	07HD0413	FDB335	07KA0223	FDB181	07SU31	FDB2197
07BB1310	FDB694	07HD0614	FDB352	07KA0414	FDB220	07SU32	FDB2213
07BB1410	FDB108	07HD0810	FDB485	07KA0506	FDB299	07YA0309	FDB177
07BB1410	FDB148	07HD1011	FDB2001	07KA0608	FDB298	07YA0413	FDB247
07BB1507	FRP408	07HD1109	FDB847	07KA0717	FDB313	07YA0713	FDB184
07BB1606	FDB529	07HD1210	FDB2097	07KA0808	FDB339	07YA0809	FDB277
07BB1710	FDB680	07HD13	FDB2179	07KA0933	FDB481	07YA1011	FDB311
07BB1810	FDB2081	07HD14	FDB2180	07KA1016	FDB494	07YA1107	FDB337
07BB1910	FDB2042	07HD16	FDB2202	07KA1117	FDB508	07YA1207	FDB386
07BB2010	FDB2074	07HO0130	FDB119	07KA1207	FDB659	07YA1305	FDB411
07BB2107	FDB736	07HO0307	FDB182	07KA1306	FDB574	07YA1407	FDB383
07BB22107	FDB2127	07HO0411	FDB134	07KA1406	FDB741	07YA1407	FDB475
07BB2307	FDB204	07HO0712	FDB183	07KA1617	FDB2012	07YA1519	FDB2014
07BB2407	FDB2127	07HO0906	FDB250	07KA1705	FDB892	07YA1605	FDB2015
07BB2507	FDB2102	07HO1010	FDB244	07KA1807	FDB2049	07YA1711	FDB449
07BB2607	FDB2125	07HO1010	FDB665	07KA1907	FDB2048	07YA1809	FDB583
07BB2750	FDB2165	07HO1118	FDB313	07KA20RC	FDB2036	07YA1909	FDB591
07BB3050	FDB2218	07HO1304	FDB312	07KA2107	FDB2111	07YA2008	FDB631
07BM2207	FDB2050	07HO1406	FDB310	07KA22SD	FDB2080	07YA2307	FDB605
07BM2407	FDB2050	07HO1505	FDB382	07KA2305	FDB2158	07YA2409	FDB666
07GR0101	FDB213	07HO1708	FDB310	07KA25	FDB2188	07YA2508	FDB737
07GR0204	FDB205	07HO1807	FDB538	07KA27SD	FDB2110	07YA2609	FDB637
07GR0305	FDB438	07HO2002	FDB381	07KA28	FDB2220	07YA2709	FDB781
07GR0307	FDB2060	07HO2107	FDB462	07KS0432	FDB314	07YA2905	FDB889
07GR0416	FDB828	07HO2107	FDB2113	07KS0507	FDB338	07YA3006	FDB636
07GR0501	FDB436	07HO2202	FDB661	07PO02SD	FDB2055	07YA3108	FDB865
07GR0601	FDB697	07HO23RR	FDB452	07PO03SD	FDB2054	07YA3208	FDB864
07GR0705	FDB698	07HO2506	FDB495	07PO04	FDB2121	07YA3408	FDB2003
07GR1001	FDB696	07HO2608	FDB539	07PO05	FDB2177	07YA3507	FDB662
07GR1101	FDB695	07HO2711	FDB531	07PO06	FDB2176	07YA3807	FDB2084
07GR1305	FDB624						
07GR1406	FDB706						

BRAKE PADS X-REF

COMPETITORS TO FERODO

BREMBO	Ferodo	CL BRAKES	Ferodo	CL BRAKES	Ferodo	CL BRAKES	Ferodo
07YA3908	FDB2156	1033	FDB2215	2253	FDB662	2361	FDB605
07YA4007	FDB2150	1034	FDB2110	2254	FDB864	2362	FDB865
07YA41	FDB2162	1066	FDB2150	2255	FDB873	2363	FDB741
07YA45	FDB2193	1067	FDB2143	2255	FDB2144	2369	FDB847
07YA46	FDB2217	1075	FDB2166	2256	FDB570	2370	FDB2001
07YA47	FDB2219	1076	FDB2139	2256	FDB2187	2377	FRP405
07YA48	FDB2230	1078	FDB2157	2257	FDB2002	2377	FDB2107
07YA49	FDB2231	1083	FDB2158	2258	FDB736	2381	FDB2012
07YA50	FDB2232	1084	FDB2126	2260	FDB784	2382	FDB244
07YA51	FDB2233	1084	FDB2156	2260	FDB2100	2382	FDB538
107268641	FRP416	1101	FDB2125	2269	FDB2194	2383	FDB2048
7004	FDB2074	1102	FDB2149	2280	FDB151	2384	FDB2049
7005	FDB2190	1102	FDB2235	2280	FDB389	2385	FDB496
7010	FDB783	1103	FDB2162	2281	FDB569	2386	FDB673
7011	FDB672	1108	FDB2165	2282	FDB183	2387	FDB404
7012	FDB677	1110	FDB2164	2282	FDB338	2388	FDB607
7012	FDB2106	1110	FDB2203	2283	FDB337	2389	FDB508
7016	FDB2101	1128	FDB2183	2284	FDB383	2390	FDB2058
7017	FDB2037	1133	FDB2178	2284	FDB475	2391	FDB781
7018	FDB2191	1133	FDB2204	2285	FDB339	2392	FDB591
7019	FDB2056	1134	FDB2181	2287	FDB2192	2393	FDB583
7019	FDB2057	1134	FDB2205	2288	FDB497	2396	FDB2006
7020	FDB2090	1139	FDB2145	2289	FDB665	2398	FDB498
7021	FDB2095	1140	FDB2182	2296	FDB754	2400	FDB499
7022	FDB2096	1142	FDB2188	2298	FDB531	2404	FDB2036
7023	FDB2129	1144	FDB706	2299	FDB659	2408	FDB250
7031	FDB2192	1145	FDB2163	2300	FDB495	2408	FDB625
7033	FDB2087	1146	FDB2106	2300	FDB892	2424	FDB2015
7034	FDB2075	1147	FDB2184	2301	FDB386	2430	FDB2050
7036	FDB2133	1148	FDB2169	2302	FDB495	2451	FDB382
7037	FDB2085	1149	FDB2179	2303	FDB2050	2457	FDB438
7038	FDB2086	1150	FDB2180	2304	FDB481	2466	FDB731
7038	FDB2119	1151	FDB2141	2305	FDB449	2469	FDB313
7043	FDB2083	1152	FDB2197	2306	FDB314	2470	FDB2008
7045	FDB2105	1153	FDB2096	2307	FDB680	2472	FDB828
7047	FDB2115	1159	FDB2196	2307	FDB889	2539	FDB2042
7048	FDB2128	1159	FDB2211	2308	FDB606	2539	FDB2099
7050	FDB2141	1163	FDB2213	2309	FDB637	2546	FDB2003
7051	FDB2140	1165	FDB2176	2310	FDB452	2586	FDB887
7052	FDB2126	1172	FDB2210	2311	FDB449	2599	FDB185
7053	FDB2130	1174	FDB2221	2311	FDB666	2602	FDB2073
7054	FDB2147	1175	FDB2085	2313	FDB570	2602	FDB2075
7055	FDB2132	1177	FDB2220	2313	FDB664	2602	FDB2098
7056	FDB2142	1180	FDB2217	2314	FDB539	2621	FDB312
7057	FDB2146	1185	FDB2218	2314	FDB672	2694	FDB218
7058	FDB2173	1187	FDB2216	2326	FDB631	2696	FDB636
7059	FDB2200	2245	FDB533	2328	FDB381	2699	FDB352
7060	FDB2186	2245	FDB858	2328	FDB661	2700	FDB333
7061	FDB2207	2246	FDB557	2329	FDB2007	2701	FDB335
7062	FDB2108	2247	FRP408	2329	FDB2123	2711	FDB2079
7063	FDB2211	2248	FDB663	2332	FDB108	2711	FDB2114
7064	FDB2212	2249	FDB207	2332	FDB148	2713	FDB2084
7065	FDB2208	2249	FDB2081	2342	FDB485	2718	FDB334
7068	FDB2224	2251	FDB574	2352	FDB2018	2720	FDB2167
7069	FDB2226	2252	FDB462	2353	FDB2005	2750	FDB2080
		2252	FDB2113	2360	FDB737	2792	FDB411
CL BRAKES	Ferodo						
1033	FDB2120						

BRAKE PADS X-REF

COMPETITORS TO FERODO

CL BRAKES	Ferodo	CL BRAKES	Ferodo	EBC	Ferodo	EBC	Ferodo
2794	FDB438	3038	FDB625	FA067/2	FDB731	FA131/3	FDB672
2799	FDB2013	3041	FDB2101	FA068	FDB298	FA134	FDB499
2801	FDB592	3043	FDB2056	FA068	FDB299	FA135	FDB497
2802	FDB311	3044	FDB2057	FA069	FDB244	FA136	FDB591
2807	FDB277	3047	FDB2191	FA069/2	FDB538	FA137	FDB2016
2813	FDB2111	3049	FDB2085	FA069/3	FDB665	FA138	FDB485
2814	FDB182	3054	FDB2115	FA070	FDB277	FA139	FDB2001
2827	FDB2074	3056	FDB2105	FA071	FDB333	FA140	FDB531
2828	FDB2083	3060	FDB2142	FA072	FDB334	FA141	FDB508
2840	FDB204	3066	FDB2173	FA073	FDB132	FA142	FDB570
2847	FDB177	3074	FDB2132	FA074	FDB695	FA142	FDB2187
2899	FDB2036	3075	FDB2200	FA076	FDB205	FA142	FDB2225
2900	FDB2039	3083	FDB2212	FA077	FDB204	FA143	FDB496
2914	FDB2133			FA078	FDB335	FA145	FDB557
2919	FDB2034	DP BRAKE	Ferodo	FA080/2	FDB310	FA146	FDB569
2920	FDB2033	DP514	FDB2262	FA081	FDB311	FA147	FDB606
2923	FDB2148			FA083	FDB313	FA151	FDB2192
2924	FDB2054	DUNLOPAD	Ferodo	FA084	FDB381	FA152	FDB659
2925	FDB2121	962	FDB2210	FA084/3	FDB661	FA155	FDB2017
2926	FDB2175	DP843	FDB2017	FA085	FDB339	FA157	FDB607
2927	FDB2055	DP987	FDB2251	FA086	FDB312	FA158	FDB574
2958	FDB2097			FA088	FDB337	FA159	FDB2055
2959	FRP213	EBC	Ferodo	FA093	FDB384	FA160	FDB666
2960	FDB2124	FA013	FDB119	FA094	FDB352	FA161	FDB338
2961	FDB557	FA016	FRP213	FA095	FRP408	FA162	FDB2194
2987	FDB2102	FA016	FDB342	FA098	FDB696	FA163	FDB529
3004	FDB697	FA018	FDB108	FA099	FDB436	FA165	FDB631
3005	FDB784	FA018	FDB148	FA101	FDB383	FA167	FDB706
3005	FDB2100	FA021	FDB2014	FA101	FDB475	FA168	FDB605
3008	FDB383	FA022	FDB155	FA102	FDB390	FA169	FDB636
3011	FDB244	FA024/2	FDB185	FA103	FDB389	FA170	FDB2050
3012	FDB828	FA027	FDB88	FA104	FDB386	FA171	FDB736
3013	FDB680	FA030	FDB182	FA105	FDB411	FA172	FDB737
3014	FDB672	FA032	FDB134	FA106	FDB404	FA173	FDB828
3015	FRP405	FA033	FDB132	FA106/2	FDB673	FA174	FDB754
3016	FRP405	FA034	FDB177	FA107A	FRP410	FA175	FRP415
3017	FDB538	FA035	FDB150	FA110	FDB437	FA177	FDB782
3018	FDB625	FA036	FDB151	FA113	FDB438	FA178	FDB625
3019	FDB382	FA037	FDB181	FA115	FRP405	FA179	FDB781
3019	FDB2119	FA038	FDB178	FA116	FDB697	FA180	FDB741
3020	FDB2060	FA041	FDB184	FA118	FDB583	FA181	FDB2018
3021	FDB438	FA045	FDB183	FA119	FDB2015	FA182	FDB637
3022	FDB313	FA047	FDB207	FA120	FDB592	FA185	FDB892
3023	FDB313	FA047/3	FRP416	FA121	FDB462	FA186	FDB784
3024	FDB828	FA047/3	FDB2081	FA123	FDB449	FA187	FDB533
3025	FDB2003	FA050	FDB213	FA123	FDB662	FA187	FDB858
3026	FDB2073	FA051	FDB218	FA124	FDB452	FA188	FDB873
3027	FDB2062	FA054	FDB250	FA124/2	FDB663	FA188	FDB2144
3029	FDB636	FA060	FDB624	FA125	FDB495	FA189	FDB2002
3030	FDB636	FA060	FDB694	FA126	FDB498	FA190	FDB864
3031	FDB677	FA061	FDB247	FA127	FDB624	FA191	FDB865
3032	FDB677	FA062	FDB220	FA128	FDB2013	FA192	FDB2012
3033	FDB2083	FA063	FDB338	FA129	FDB481	FA193	FDB680
3034	FDB436	FA065	FDB217	FA130	FDB494	FA194	FDB677
3036	FDB631	FA066	FDB299	FA131	FDB539	FA194	FDB2106
3037	FDB694	FA067	FDB314	FA131/2	FDB783	FA196	FDB570

BRAKE PADS X-REF

COMPETITORS TO FERODO

EBC	Ferodo	EBC	Ferodo	EBC	Ferodo	EBC	Ferodo
FA196	FDB664	FA270	FDB2121	FA368	FDB2165	FA464	FDB2238
FA197	FDB2087	FA271	FDB2175	FA369/4	FDB2164	FA465	FDB2242
FA199	FDB2003	FA275	FDB2083	FA369/4	FDB2203	FA468	FDB2271
FA200	FDB2001	FA281	FDB2075	FA373	FDB2182	FA488	FDB2253
FA201	FDB485	FA283	FDB2085	FA374	FDB2147	FA491	FDB2252
FA202	FDB497	FA291	FDB2103	FA375	FDB2169	FA495	FDB2267
FA203	FDB2113	FA294	FDB2124	FA377	FDB2184	FA496	FDB2258
FA206	FDB889	FA296	FDB2114	FA379	FDB2178	FA499/4HH	FDB2259
FA208	FDB2005	FA296HH	FDB2114	FA379	FDB2204	FA602	FDB2257
FA209	FDB2006	FA297	FDB2129	FA380HH	FDB605	FA603	FDB2256
FA209/2	FDB2006	FA298	FDB2090	FA381	FDB2179	FA604/4	FDB2255
FA210	FDB847	FA299	FDB2097	FA382	FDB828	FA606	FDB2266
FA211	FDB2008	FA301	FDB2095	FA387	FDB2180	FA612	FDB2262
FA213	FDB2005	FA302	FDB2110	FA388	FDB2196	FA613	FDB2124
FA214	FDB497	FA303	FDB2109	FA388	FDB2211	FA617	FDB2273
FA216/2	FDB2041	FA304	FDB2102	FA390	FDB2181	FA618	FDB2274
FA216/3	FDB2040	FA305	FDB2096	FA390	FDB2205	GFA263	FDB2167
FA218	FDB2007	FA306	FDB2108	FA393	FDB2224	GFA611HH	FDB2228
FA218/2	FDB2123	FA307	FDB2148	FA396	FDB2133	MXS405	FDB2245
FA222	FDB2058	FA313	FDB2177	FA398	FDB2272	SFA131/2	FDB783
FA226	FDB664	FA314	FDB2176	FA399	FDB2201	SFA131/3	FDB672
FA228	FDB497	FA317	FDB2149	FA400	FDB2097	SFA169	FDB636
FA229	FDB2048	FA319	FDB2126	FA400	FDB2202	SFA186	FDB784
FA230	FDB2133	FA319/2	FDB2156	FA401	FDB2197	SFA193	FDB680
FA231	FDB2049	FA320	FDB2198	FA405	FDB2245	SFA193	FDB889
FA232	FDB2054	FA321	FDB2115	FA407	FDB2050	SFA233	FDB672
FA233	FDB672	FA322	FDB2120	FA408	FDB2200	SFA234	FDB2101
FA234	FDB2101	FA322	FDB2215	FA409	FDB2210	SFA235	FDB2191
FA235	FDB2191	FA322/4	FDB2120	FA410	FDB2195	SFA255	FDB2037
FA236	FDB557	FA323	FDB2119	FA411	FDB2132	SFA257	FDB625
FA237	FDB2048	FA323/2	FDB382	FA412	FDB2173	SFA260	FDB2056
FA239	FDB858	FA323/3	FDB2086	FA413	FDB2148	SFA260	FDB2057
FA244	FDB2042	FA324	FDB2105	FA414	FDB2149	SFA264	FDB2190
FA244	FDB2099	FA325	FDB2183	FA415	FDB2212	SFA268	FDB2062
FA245	FDB2018	FA335	FDB2125	FA417/4	FDB2220	SFA281	FDB2075
FA246	FDB2050	FA342	FDB2188	FA418	FDB2186	SFA283	FDB2085
FA249	FDB2036	FA343	FDB2143	FA419	FDB2213	SFA301	FDB2095
FA251	FDB314	FA344	FDB2193	FA425	FDB2207	SFA306	FDB2108
FA252	FDB605	FA345	FDB2145	FA426	FDB2185	SFA319	FDB2126
FA254	FDB2111	FA346	FDB2139	FA427	FDB2226	SFA321	FDB2115
FA255	FDB2037	FA347	FDB2158	FA428	FDB2235	SFA323/2	FDB382
FA256	FDB438	FA348	FDB2150	FA432	FDB2216	SFA323/3	FDB2086
FA256	FDB2060	FA350	FDB2128	FA433/4	FDB2244	SFA324	FDB2105
FA256	FDB2146	FA351	FDB2127	FA435/4	FDB2166	SFA353	FDB2142
FA257	FDB625	FA353	FDB2142	FA436	FDB2221	SFA356	FDB2140
FA258	FDB2080	FA354	FDB2236	FA442	FDB2217	SFA358	FDB2130
FA259	FDB2049	FA355	FDB2141	FA443	FDB2231	SFA393	FDB2224
FA260	FDB2056	FA356	FDB2140	FA444	FDB2230	SFA408	FDB2200
FA260	FDB2057	FA357	FDB2157	FA445	FDB2233	SFA411	FDB2132
FA261	FDB2073	FA358	FDB2130	FA446	FDB2232	SFA415	FDB2212
FA261	FDB2098	FA361	FDB2033	FA447	FDB2218	SFA418	FDB2186
FA264	FDB2190	FA362	FDB2034	FA450	FDB2219	SFA425	FDB2207
FA265	FDB2079	FA363	FDB2039	FA452	FDB2263	SFA430	FDB2208
FA266	FDB2074	FA366	FDB2163	FA454/4	FDB2240	SFA492	FDB2264
FA267	FDB2084	FA367	FDB2162	FA457	FDB2250	SFA498	FDB2248
FA268	FDB2062	FA367/2	FDB2206	FA458	FDB2251	SFA603	FDB2256

BRAKE PADS X-REF

COMPETITORS TO FERODO

EBC	Ferodo	GALFER	Ferodo	GALFER	Ferodo	GALFER	Ferodo
SFA607	FDB2226	FD 084	FDB697	FD 148	FDB858	FD 234	FDB2095
		FD 085	FDB498	FD 149	FDB625	FD 235	FDB2097
GALFER	Ferodo	FD 086	FDB497	FD 152	FDB784	FD 245	FDB2105
FD 005	FDB119	FD 087	FDB449	FD 152	FDB2100	FD 246	FDB2036
FD 008	FDB342	FD 089	FDB499	FD 153	FDB680	FD 251	FDB2102
FD 012	FDB207	FD 090	FDB481	FD 154	FDB865	FD 252	FDB384
FD 013	FDB108	FD 091	FDB494	FD 155	FDB2002	FD 254	FDB2110
FD 013	FDB148	FD 092	FDB495	FD 156	FDB873	FD 259	FDB2169
FD 014	FDB132	FD 093	FDB539	FD 156	FDB2144	FD 260	FDB2126
FD 016	FDB182	FD 094	FDB313	FD 157	FDB864	FD 261	FDB2096
FD 017	FDB177	FD 095	FDB250	FD 160	FRP415	FD 265	FDB2157
FD 019	FDB185	FD 096	FDB462	FD 162	FDB677	FD 267	FDB2111
FD 025	FDB134	FD 096	FDB2113	FD 163	FDB2194	FD 270	FDB2128
FD 028	FDB205	FD 097	FDB2015	FD 164	FDB892	FD 271	FDB2125
FD 031	FDB213	FD 098	FDB592	FD 165	FDB2005	FD 272	FDB2124
FD 035	FDB150	FD 099	FDB557	FD 166	FDB2101	FD 275	FDB2141
FD 036	FDB155	FD 100	FDB533	FD 167	FDB2012	FD 276	FDB2140
FD 038	FDB178	FD 101	FDB606	FD 168	FDB2007	FD 277	FDB2142
FD 044	FDB204	FD 103	FDB531	FD 169	FDB2003	FD 278	FDB2139
FD 045	FDB183	FD 104	FDB508	FD 170	FDB889	FD 284	FDB2119
FD 046	FDB218	FD 107	FDB574	FD 171	FDB889	FD 286	FDB2162
FD 047	FDB217	FD 108	FDB570	FD 172	FDB2006	FD 290	FDB2164
FD 048	FDB694	FD 110	FDB496	FD 174	FDB2048	FD 290	FDB2203
FD 051	FDB277	FD 111	FDB338	FD 175	FDB2191	FD 291	FDB2165
FD 052	FDB299	FD 112	FDB664	FD 176	FDB2042	FD 295	FDB2156
FD 054	FDB244	FD 113	FDB2192	FD 177	FDB2133	FD 296	FDB2189
FD 054	FDB665	FD 114	FDB659	FD 178	FDB605	FD 297	FDB677
FD 056	FDB311	FD 116	FDB695	FD 179	FDB2049	FD 298	FDB2169
FD 057	FDB337	FD 117	FDB631	FD 181	FDB2171	FD 299	FDB661
FD 058	FDB333	FD 118	FDB498	FD 186	FDB2039	FD 300	FDB2054
FD 059	FDB334	FD 119	FDB529	FD 187	FDB2087	FD 302	FDB2175
FD 060	FDB310	FD 120	FDB607	FD 188	FDB2190	FD 303	FDB2055
FD 062	FDB339	FD 121	FDB666	FD 189	FDB2058	FD 315	FDB2148
FD 063	FDB382	FD 124	FDB352	FD 190	FRP416	FD 319	FDB2188
FD 064	FDB335	FD 125	FDB485	FD 195	FDB2060	FD 321	FDB2080
FD 065	FRP405	FD 126	FDB2001	FD 197	FDB2037	FD 325	FDB2178
FD 065	FDB2107	FD 127	FDB591	FD 198	FDB2050	FD 325	FDB2204
FD 066	FDB389	FD 129	FDB737	FD 198	FDB2127	FD 326	FDB2181
FD 067	FDB184	FD 131	FDB2050	FD 200	FDB2057	FD 326	FDB2205
FD 068	FRP408	FD 132	FDB782	FD 204	FDB2080	FD 329	FDB2150
FD 069	FDB386	FD 133	FDB706	FD 205	FDB2073	FD 331	FDB2158
FD 070	FDB673	FD 134	FDB754	FD 205	FDB2098		
FD 071	FDB436	FD 135	FDB828	FD 206	FDB2062	LUCAS	Ferodo
FD 072	FDB583	FD 136	FDB636	FD 207	FDB2075	MCB17	FDB155
FD 073	FDB312	FD 137	FDB736	FD 209	FDB404	MCB35	FDB119
FD 074	FDB438	FD 138	FDB2018	FD 214	FDB2083	MCB51	FDB217
FD 075	FDB314	FD 140	FDB570	FD 218	FDB2084	MCB512	FDB244
FD 076	FDB381	FD 140	FDB2187	FD 219	FDB2079	MCB512	FDB665
FD 077	FDB247	FD 141	FDB741	FD 219	FDB2114	MCB515	FDB299
FD 078	FDB151	FD 142	FDB781	FD 220	FDB2074	MCB516	FDB298
FD 079	FDB383	FD 143	FDB637	FD 221	FDB2154	MCB518LF	FDB334
FD 079	FDB475	FD 144	FDB539	FD 222	FDB2085	MCB52	FDB184
FD 080	FDB411	FD 144	FDB672	FD 223	FDB2109	MCB521	FDB277
FD 081	FDB437	FD 145	FDB2087	FD 225	FDB2103	MCB523	FDB314
FD 082	FDB663	FD 147	FDB783	FD 228	FDB2090	MCB523	FDB384
FD 083	FDB390	FD 148	FDB533	FD 232	FDB2081	MCB524	FDB311

BRAKE PADS X-REF

COMPETITORS TO FERODO

LUCAS	Ferodo	LUCAS	Ferodo	LUCAS	Ferodo	NEWFREN	Ferodo
MCB527LF	FDB335	MCB622	FDB666	MCB742	FDB2164	.FD.0049	FDB695
MCB53	FDB247	MCB624	FDB663	MCB742	FDB2203	.FD.0051	FDB277
MCB53	FDB337	MCB626	FDB2018	MCB743	FDB2165	.FD.0052	FDB299
MCB531	FDB338	MCB627	FDB737	MCB747	FDB2145	.FD.0053	FDB298
MCB532	FDB339	MCB629	FDB706	MCB748	FDB2125	.FD.0054	FDB244
MCB533	FDB204	MCB631	FDB2187	MCB750	FDB2183	.FD.0055	FDB220
MCB534	FDB382	MCB631	FDB2225	MCB752	FDB2178	.FD.0058	FDB538
MCB535	FRP405	MCB634LF	FDB754	MCB752	FDB2204	.FD.0062	FDB311
MCB535	FDB2107	MCB63LF	FDB134	MCB755	FDB2181	.FD.0063	FDB310
MCB536	FDB205	MCB64	FDB781	MCB755	FDB2205	.FD.0065	FDB184
MCB539	FDB383	MCB642	FDB637	MCB756	FDB2193	.FD.0066	FDB247
MCB539	FDB475	MCB643	FDB741	MCB757	FDB2188	.FD.0067	FDB382
MCB54	FDB182	MCB648	FDB2039	MCB759	FDB2169	.FD.0068	FDB337
MCB540	FRP408	MCB64LF	FDB631	MCB760	FDB2184	.FD.0069	FDB696
MCB541	FDB386	MCB652	FDB782	MCB761	FDB2055	.FD.0071	FDB731
MCB542	FDB389	MCB655	FDB865	MCB762	FDB2121	.FD.0072	FDB339
MCB544	FDB538	MCB656	FDB864	MCB763	FDB2175	.FD.0073	FDB314
MCB547	FDB390	MCB658	FDB2002	MCB766	FDB2109	.FD.0074	FDB436
MCB548	FDB352	MCB659	FDB873	MCB769	FDB2182	.FD.0075	FDB312
MCB55	FDB183	MCB659	FDB2144	MCB770	FDB2103	.FD.0077	FDB384
MCB55	FDB220	MCB660	FDB2036	MCB776	FDB2196	.FD.0078	FDB381
MCB55	FDB404	MCB662	FDB2012	MCB776	FDB2211	.FD.0080	FDB250
MCB551	FDB673	MCB666	FDB2003	MCB780	FDB2201	.FD.0082	FDB386
MCB556	FDB437	MCB667	FDB731	MCB783	FDB2213	.FD.0083	FDB389
MCB558	FDB2015	MCB668	FDB2054	MCB785	FDB2221	.FD.0084	FDB665
MCB559	FDB449	MCB669	FDB892	MCB786	FDB2216	.FD.0085	FDB313
MCB56	FDB2013	MCB677	FDB664	MCB789	FDB2220	.FD.0089	FDB411
MCB562	FDB462	MCB68	FDB177	MCB79	FDB132	.FD.0090	FDB475
MCB562	FDB2113	MCB680	FDB2127	MCB791	FDB2219	.FD.0091	FDB438
MCB563	FDB592	MCB681	FDB2049	MCB792	FDB2218	.FD.0092	FDB404
MCB567	FDB2014	MCB682	FDB2048	MCB794	FDB2244	.FD.0095	FDB673
MCB568	FDB583	MCB691LF	FDB2111	MCB795	FDB2217	.FD.0096	FDB592
MCB569	FDB481	MCB697SI	FDB2080	MCB94LF	FDB181	.FD.0097	FDB583
MCB572	FDB498	MCB7	FDB150	MCB97	FDB185	.FD.0098	FDB697
MCB576	FDB696	MCB704	FDB2073	MCB99	FDB342	.FD.0099	FDB698
MCB579	FDB499	MCB711	FDB2097			.FD.0100	FDB437
MCB58	FDB213	MCB713LF	FDB2102	NEWFREN	Ferodo	.FD.0102	FDB2015
MCB582	FDB497	MCB714SX	FDB2110	.FD.0005	FDB119	.FD.0103	FDB624
MCB583LF	FDB2001	MCB72	FDB178	.FD.0008	FDB342	.FD.0104	FDB449
MCB584	FDB662	MCB721	FDB2120	.FD.0012	FDB207	.FD.0105	FDB663
MCB585LF	FDB531	MCB721	FDB2215	.FD.0013	FDB108	.FD.0106	FDB462
MCB586	FDB508	MCB723	FDB2149	.FD.0014	FDB132	.FD.0108	FDB481
MCB587	FDB591	MCB723	FDB2235	.FD.0016	FDB182	.FD.0110	FDB2013
MCB59	FDB218	MCB724	FDB2148	.FD.0017	FDB177	.FD.0113	FDB499
MCB591	FDB151	MCB725	FDB2150	.FD.0022	FDB151	.FD.0114	FDB539
MCB591	FDB569	MCB72LF	FDB2084	.FD.0025	FDB134	.FD.0115	FDB498
MCB593	FDB533	MCB73	FDB2079	.FD.0028	FDB205	.FD.0116	FDB494
MCB593	FDB858	MCB73	FDB2114	.FD.0031	FDB213	.FD.0119	FDB390
MCB594LF	FDB496	MCB730SI	FDB2139	.FD.0035	FDB150	.FD.0120	FDB495
MCB595	FDB557	MCB731	FDB2156	.FD.0036	FDB155	.FD.0122	FDB497
MCB597	FDB606	MCB736	FDB2124	.FD.0038	FDB178	.FD.0123	FDB661
MCB611	FDB605	MCB737	FDB2158	.FD.0044	FDB204	.FD.0124	FDB383
MCB612LF	FDB607	MCB738LF	FDB2143	.FD.0045	FDB183	.FD.0129	FDB557
MCB617	FDB736	MCB739	FDB2162	.FD.0046	FDB218	.FD.0130	FDB664
MCB618	FDB529	MCB740	FDB2157	.FD.0047	FDB217	.FD.0131	FDB533
MCB62	FDB574	MCB740	FDB2163	.FD.0048	FDB694	.FD.0132	FDB570

BRAKE PADS X-REF

COMPETITORS TO FERODO

NEWFREN	Ferodo	NEWFREN	Ferodo	NEWFREN	Ferodo	NEWFREN	Ferodo
.FD.0134	FDB338	.FD.0215	FDB2008	.FD.0301	FDB2148	.FD.0387	FDB2179
.FD.0135	FDB591	.FD.0216	FDB2006	.FD.0304	FDB2119	.FD.0388	FDB2193
.FD.0136	FDB531	.FD.0217	FDB2058	.FD.0305	FDB2120	.FD.0389	FDB2202
.FD.0138	FDB508	.FD.0219	FDB2190	.FD.0309	FDB2175	.FD.0391	FDB2198
.FD.0139	FDB2192	.FD.0221	FDB2042	.FD.0316	FDB2126	.FD.0394	FDB2207
.FD.0140	FDB606	.FD.0222	FDB2133	.FD.0317	FDB2177	.FD.0395	FDB2194
.FD.0141	FDB496	.FD.0223	FDB2191	.FD.0318	FDB2149	.FD.0396	FDB2208
.FD.0142	FDB2107	.FD.0224	FDB2101	.FD.0319	FDB2124	.FD.0397	FDB2195
.FD.0143	FDB574	.FD.0225	FDB2037	.FD.0320	FDB2125	.FD.0398	FDB2206
.FD.0144	FDB659	.FD.0227	FDB2049	.FD.0323	FDB2128	.FD.0399	FDB2197
.FD.0145	FDB2016	.FD.0228	FDB2048	.FD.0324	FDB2130	.FD.0400	FDB2211
.FD.0147	FDB569	.FD.0229	FDB2039	.FD.0326	FDB2132	.FD.0401	FDB2212
.FD.0149	FDB485	.FD.0234	FDB2034	.FD.0327	FDB2141	.FD.0402	FDB2213
.FD.0150	FDB2001	.FD.0237	FDB2050	.FD.0328	FDB2140	.FD.0403	FDB2209
.FD.0151	FDB185	.FD.0238	FDB2060	.FD.0329	FDB2139	.FD.0404	FDB2216
.FD.0153	FDB333	.FD.0246	FDB2036	.FD.0330	FDB2142	.FD.0405	FDB2210
.FD.0154	FDB334	.FD.0247	FDB2056	.FD.0331	FDB2143	.FD.0406	FDB2225
.FD.0155	FDB335	.FD.0249	FDB2057	.FD.0334	FDB2147	.FD.0407	FDB2217
.FD.0157	FDB352	.FD.0251	FDB2062	.FD.0335	FDB2146	.FD.0408	FDB2203
.FD.0158	FDB529	.FD.0253	FDB2073	.FD.0336	FDB2154	.FD.0409	FDB2204
.FD.0162	FDB706	.FD.0254	FDB2098	.FD.0339	FDB2123	.FD.0410	FDB2205
.FD.0163	FDB631	.FD.0255	FDB2075	.FD.0340	FDB2122	.FD.0411	FDB2219
.FD.0164	FDB607	.FD.0256	FDB2074	.FD.0341	FDB2150	.FD.0412	FDB2221
.FD.0165	FDB828	.FD.0257	FDB2087	.FD.0343	FDB2153	.FD.0413	FDB2215
.FD.0167	FDB737	.FD.0258	FDB2114	.FD.0344	FDB2145	.FD.0414	FDB2224
.FD.0169	FDB736	.FD.0259	FDB2083	.FD.0345	FDB2156	.FD.0415	FDB2218
.FD.0171	FDB782	.FD.0261	FDB2084	.FD.0346	FDB2176	.FD.0416	FDB2202
.FD.0172	FDB754	.FD.0262	FDB2080	.FD.0348	FDB2165	.FD.0417	FDB2226
.FD.0173	FDB625	.FD.0263	FDB2081	.FD.0349	FDB2162	.FD.0419	FDB2220
.FD.0175	FDB636	.FD.0264	FDB2085	.FD.0351	FDB2158	.FD.0427	FDB2231
.FD.0176	FDB637	.FD.0265	FDB2086	.FD.0352	FDB2164	.FD.0428	FDB2232
.FD.0177	FDB662	.FD.0266	FDB2100	.FD.0354	FDB2157	.FD.0428	FDB2233
.FD.0178	FDB783	.FD.0267	FDB2090	.FD.0355	FDB2169	.FD.0429	FDB2230
.FD.0183	FDB781	.FD.0268	FDB2103	.FD.0356	FDB2173	.FD.0430	FDB2231
.FD.0185	FDB741	.FD.0269	FDB2096	.FD.0361	FDB2144	.FD.0430	FDB2232
.FD.0186	FDB2018	.FD.0270	FDB847	.FD.0362	FDB2178	.FD.0436	FDB2251
.FD.0188	FDB452	.FD.0271	FDB2095	.FD.0363	FDB2244	.FD.0437	FDB2238
.FD.0189	FDB148	.FD.0272	FDB2111	.FD.0364	FDB2181	.FD.0438	FDB2240
.FD.0190	FDB605	.FD.0273	FDB2099	.FD.0365	FDB2186	.FD.0442	FDB2214
.FD.0191	FDB666	.FD.0274	FDB2136	.FD.0366	FDB2170	.FD.0443	FDB2250
.FD.0192	FDB672	.FD.0277	FDB2102	.FD.0367	FDB2171	.FD.0444	FDB2242
.FD.0193	FDB892	.FD.0278	FDB2014	.FD.0368	FDB2168	.FD.0445	FDB2254
.FD.0194	FDB784	.FD.0279	FDB2054	.FD.0369	FDB2167	.FD.0446	FDB2253
.FD.0195	FDB677	.FD.0280	FDB2055	.FD.0370	FDB2166	.FD.0448	FDB2243
.FD.0196	FDB680	.FD.0281	FDB2106	.FD.0371	FDB2163	.FD.0467	FDB2256
.FD.0197	FDB889	.FD.0282	FDB2105	.FD.0372	FDB2183	.FD.0494	FDB2268
.FD.0198	FDB858	.FD.0290	FDB2097	.FD.0373	FDB2187	.FD.0496	FDB2267
.FD.0199	FDB873	.FD.0292	FDB2109	.FD.0374	FDB2188	.FD.0460	FDB2248
.FD.0200	FDB865	.FD.0293	FDB2108	.FD.0376	FDB2182		
.FD.0201	FDB864	.FD.0294	FDB2121	.FD.0378	FDB2200	OE HARLEY	Ferodo
.FD.0203	FDB2002	.FD.0295	FDB2110	.FD.0379	FDB2185	46721-06	FDB2202
.FD.0204	FDB887	.FD.0296	FDB2129	.FD.0380	FDB2201		
.FD.0205	FDB2003	.FD.0297	FDB2040	.FD.0381	FDB2189	OE Honda	Ferodo
.FD.0206	FDB2005	.FD.0298	FDB2115	.FD.0383	FDB2184	06455-GFM-D31	FDB2256
.FD.0207	FDB2012	.FD.0299	FDB2041	.FD.0385	FDB2196	06455-KWN-641	FDB2256
.FD.0213	FDB2007	.FD.0300	FDB2079	.FD.0386	FDB2180	06455-KZL-861	FDB2256

BRAKE PADS X-REF

COMPETITORS TO FERODO

OE Kymco	Ferodo	SBS	Ferodo	SBS	Ferodo	SBS	Ferodo
43105-LDH-E00	FDB2254	539	FDB299	601	FDB498	667	FDB889
		540	FDB298	602	FDB494	669	FDB2001
OEM KYMCO	Ferodo	541	FDB731	603	FDB495	670	FDB625
00143071	FDB2248	542	FDB244	604	FDB539	671	FDB2018
		542	FDB665	605	FDB696	673	FDB783
OEM Kymco	Ferodo	543	FDB334	606	FDB695	674	FDB2006
00156175	FDB2226	544	FDB313	607	FDB697	675	FDB2005
		545	FDB247	608	FDB499	676	FDB2036
OEM SYM	Ferodo	546	FDB314	609	FDB485	678	FDB2040
43105-HMA-000A	FDB2226	547	FDB277	611	FDB497	680	FDB784
43108-HMA-000A	FDB2226	549	FDB335	613	FDB662	680	FDB2100
		550	FDB311	614	FDB531	681	FDB782
SBS	Ferodo	551	FDB312	615	FDB508	682	FDB865
119	FDB2087	552	FDB310	616	FDB591	683	FDB864
140	FDb2190	554	FDB204	618	FDB2192	684	FDB828
146	FDB2085	555	FDB337	619	FDB636	685	FDB2002
154	FDB2096	556	FDB338	620	FDB569	686	FDB873
155	FDB2083	557	FDB339	622	FDB533	686	FDB2144
157	FDB2074	558	FDB382	622	FDB858	687	FDB2012
163	FDB497	559	FRP405	623	FDB496	689	FDB677
178	FDB2108	559	FDB2107	624	FDB557	690	FDB672
185	FDB2200	560	FDB205	626	FDB606	691	FDB2003
194	fdb2208	562	FDB381	627	FDB570	692	FDB314
195	FDB2226	566	FRP408	627	FDB2187	694	FDB892
195	FDB2254	570	FDB386	627	FDB2225	695	FDB2007
198	FDB605	571	FDB310	630	FDB664	696	FDB2060
201	FDB2226	572	FDB538	631	FDB574	697	FDB680
204	FDB2248	572	FDB666	632	FDB659	700	FDB570
205	FDB2256	574	FDB624	633	FDB631	700	FDB664
208	FDB2264	574	FDB694	634	FDB605	701	FDB2058
306	FDB2204	575	FDB383	635	FDB607	702	FDB2133
501	FDB119	575	FDB475	637	FDB2017	703	FDB2050
505	FDB88	576	FDB2014	638	FDB631	704	FDB2049
506	FDB108	577	FDB389	638	FDB2087	705	FDB2048
506	FDB148	578	FDB390	639	FDB605	706	FDB2042
507	FDB177	579	FDB352	640	FDB736	707	FDB2167
508	FDB182	580	FDB411	641	FDB529	708	FDB2190
509	FDB134	581	FDB404	642	FDB2055	710	FDB2101
510	FDB132	582	FDB673	644	FDB2050	711	FDB2123
511	FDB150	583	FDB207	645	FDB666	712	FDB2037
512	FDB151	584	FDB661	646	FRP416	713	FDB497
513	FDB185	585	FDB384	646	FDB2081	714	FDB557
514	FDB181	586	FDB314	647	FDB663	715	FDB2111
515	FDB178	587	FDB437	648	FDB659	716	FDB2055
517	FDB182	588	FDB438	649	FDB2016	717	FDB2054
519	FDB207	589	FDB2015	650	FDB737	721	FDB2073
520	FDB155	590	FDB449	652	FDB706	721	FDB2098
523	FDB342	591	FDB2013	654	FDB570	722	FDB2075
526	FDB183	592	FDB381	657	FDB754	722	FDB2098
528	FDB184	593	FDB462	658	FDB847	723	FDB2191
530	FDB220	593	FDB2113	659	FDB2194	724	FDB2056
532	FDB213	594	FDB592	661	FRP410	724	FDB2057
533	FDB218	595	FDB436	662	FDB2041	725	FDB680
534	FDB217	596	FDB583	663	FDB781	726	FDB2080
536	FDB250	597	FDB481	665	FDB637	727	FDB2099
537	FDB333	600	FDB452	666	FDB741	728	FDB2083

BRAKE PADS X-REF

COMPETITORS TO FERODO

SBS	Ferodo	SBS	Ferodo	SBS	Ferodo	VESRAH	Ferodo
729	FDB2036	793	FDB2146	872	FDB2257	VD 205	FDB177
730	FDB2074	794	FDB2183	877	FDB2266	VD 215	FDB184
731	FDB2062	795	FDB2145	885	FDB2262	VD 216	FDB247
732	FDB2171	796	FDB2125			VD 228	FDB277
733	FDB2084	797	FDB2169	VESRAH	Ferodo	VD 234	FDB2014
734	FDB2114	798	FDB2080	VD 102	FDB119	VD 235	FDB311
735	FDB2073	799	FDB2193	VD 106	FDB119	VD 236	FDB337
736	FDB2073	800	FDB2236	VD 108	FDB134	VD 239	FDB383
740	FDB2085	801	FDB2188	VD 112	FDB182	VD 239	FDB475
742	FDB2039	802	FDB2109	VD 116	FDB134	VD 240	FDB386
744	FDB2081	803	FDB2127	VD 117	FDB183	VD 241	FDB411
745	FDB2129	804	FDB2173	VD 120	FDB250	VD 242	FDB449
746	FDB2102	805	FDB2166	VD 123	FDB244	VD 244	FDB2015
747	FDB2090	806	FDB2178	VD 123	FDB665	VD 245	FDB583
748	FDB2095	807	FDB2179	VD 123/2	FDB538	VD 246	FDB591
749	FDB2096	808	FDB2180	VD 127	FDB661	VD 247	FDB636
750	FDB2097	809	FDB2181	VD 128	FDB381	VD 248	FDB605
752	FDB2110	809	FDB2205	VD 129 /129/2	FDB310	VD 249	FDB605
753	FDB754	810	FDB2184	VD 131	FDB312	VD 250	FDB631
753	FDB2130	812	FDB2200	VD 132	FDB665	VD 250/2	FDB2087
754	FDB2148	813	FDB2182	VD 134	FDB2086	VD 251	FDB666
755	FDB2121	814	FDB312	VD 134 /134/2	FDB382	VD 252	FDB737
757	FDB2177	815	FDB2103	VD 136	FDB2086	VD 254	FRP405
758	FDB2175	818	FDB2186	VD 139	FDB495	VD 254	FDB2107
761	FDB2105	820	FDB2197	VD 139/2	FDB496	VD 255	FDB781
762	FDB2120	821	FDB2201	VD 141	FDB462	VD 256	FDB889
762	FDB2215	823	FDB2224	VD 142	FDB2113	VD 257	FDB637
763	FDB2198	828	FDB2196	VD 143	FDB452	VD 257	FDB662
765	FDB2111	830	FDB2210	VD 143/2	FDB663	VD 258	FDB864
767	FDB2149	834	FDB2221	VD 144	FDB539	VD 259	FDB865
768	FDB2126	838	FDB2220	VD 144	FDB783	VD 260	FDB2003
769	FDB2156	839	FDB2217	VD 144/2	FDB672	VD 261	FDB2017
770	FDB2150	840	FDB2219	VD 147	FDB531	VD 262	FDB2042
771	FDB680	841	FDB2218	VD 150	FDB2192	VD 262/2	FDB2099
772	FDB2115	841	FDB2260	VD 152	FDB438	VD 263	FDB2083
773	FDB2128	842	FDB2245	VD 152	FDB2060	VD 264	FDB2084
774	FDB2106	843	FDB2244	VD 152	FDB2146	VD 266	FDB2148
775	FDB2141	844	FDB2216	VD 154	FDB533	VD 268	FDB2150
776	FDB2140	845	FDB2228	VD 154	FDB858	VD 269	FDB2126
777	FDB2139	846	FDB2202	VD 156	FDB570	VD 269/2	FDB2156
778	FDB2124	847	FDB2226	VD 156	FDB2187	VD 270	FDB2193
780	FDB2147	849	FDB2230	VD 156/2	FDB664	VD 271	FDB2162
781	FDB2086	850	FDB2231	VD 161	FDB892	VD 305	FDB150
781	FDB2119	851	FDB2232	VD 162	FDB625	VD 306	FDB151
781	FDB2132	852	FDB2233	VD 163	FDB754	VD 307	FDB178
782	FDB2158	853	FDB2250	VD 164	FDB2002	VD 308	FDB178
783	FDB2157	854	FDB2251	VD 165	FDB2075	VD 310	FDB178
784	FDB2143	856	FDB2240	VD 165/2	FDB2073	VD 315	FDB178
786	FDB2142	858	FDB2238	VD 165/2	FDB2098	VD 316	FDB178
787	FDB2176	859	FDB2242	VD 166	FDB2114	VD 320	FDB178
788	FDB2164	860	FDB2079	VD 166/2	FDB2079	VD 324	FDB217
788	FDB2203	861	FDB2206	VD 168	FDB2139	VD 327	FDB338
789	FDB2163	862	FDB2253	VD 169	FDB2130	VD 328	FDB390
790	FDB2162	863	FDB2254	VD 170	FDB2181	VD 329 /329/2	FDB673
791	FDB2165	864	FDB2252	VD 170	FDB2205	VD 329 /392/2	FDB404
792	FDB2108	869	FDB2259	VD 171	FDB2182	VD 331	FDB389

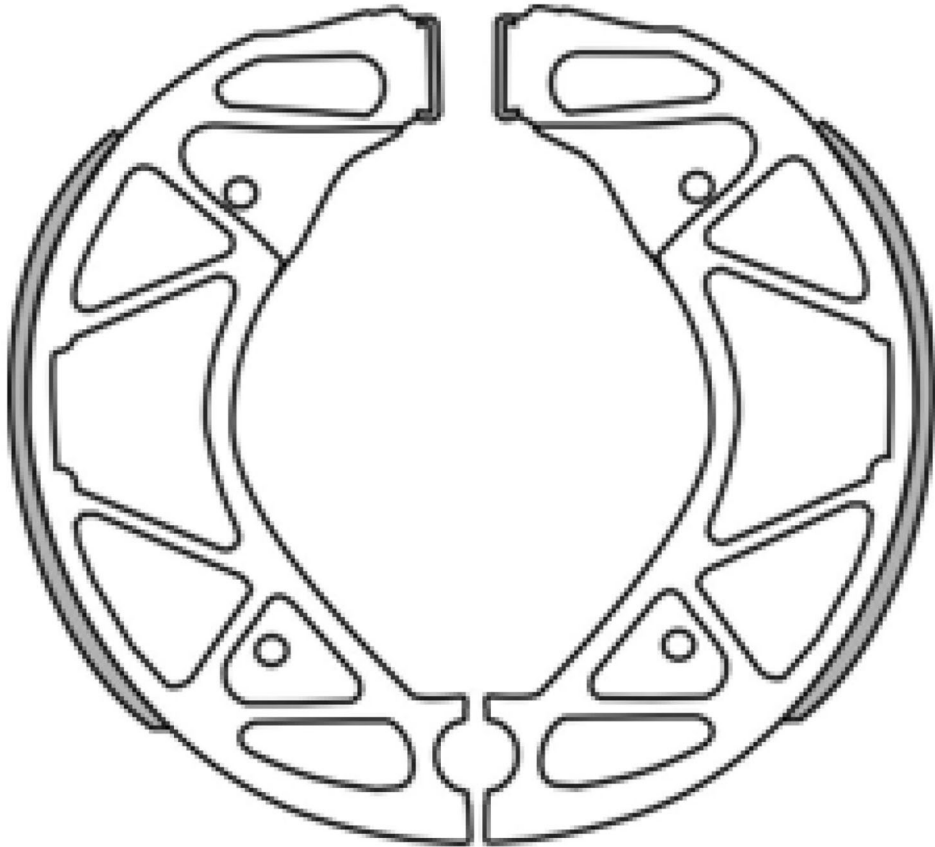
BRAKE PADS X-REF

COMPETITORS TO FERODO

VESRAH	Ferodo	VESRAH	Ferodo
VD 332	FDB2013	VD 9024	FDB2236
VD 335	FDB437	VD 9035	FDB2251
VD 340 /340/2	FDB497	VD 904	FDB88
VD 341	FDB2016	VD 906	FRP213
VD 342	FDB313	VD 906	FDB342
VD 343	FDB557	VD 907	FDB108
VD 344	FDB574	VD 907	FDB148
VD 345/2	FDB569	VD 908	FDB333
VD 346	FDB384	VD 909	FDB334
VD 347	FDB606	VD 910	FDB155
VD 348	FDB607	VD 911	FDB207
VD 349	FDB873	VD 911/2	FRP416
VD 349	FDB2144	VD 911/2	FDB2081
VD 350	FDB2058	VD 912	FDB213
VD 351	FDB2133	VD 912	FDB218
VD 352	FDB2048	VD 915	FDB185
VD 353	FDB2085	VD 918	FDB335
VD 354	FDB2164	VD 919	FDB352
VD 354	FDB2203	VD 920	FDB624
VD 355	FDB2178	VD 920	FDB694
VD 355	FDB2204	VD 924	FDB592
VD 359	FDB2221	VD 925	FDB2107
VD 404	FDB132	VD 928	FDB205
VD 405	FDB181	VD 929	FDB529
VD 408	FDB132	VD 930	FDB696
VD 409	FDB132	VD 932	FDB436
VD 411	FDB132	VD 933	FDB204
VD 412	FDB181	VD 934	FDB736
VD 416	FDB338	VD 937	FDB624
VD 420	FDB298	VD 937	FDB697
VD 420	FDB299	VD 940	FDB2055
VD 421	FDB298	VD 941	FDB2050
VD 421	FDB299	VD 942	FDB499
VD 423	FDB220	VD 943	FDB498
VD 425	FDB314	VD 945	FRP408
VD 425	FDB828	VD 946	FRP405
VD 426	FDB339	VD 947	FDB2018
VD 427	FDB481	VD 947	FDB2039
VD 428	FDB494	VD 948	FDB680
VD 430	FDB508	VD 949	FDB784
VD 432 /432/2	FDB659	VD 949	FDB2100
VD 433	FDB741	VD 950	FDB2054
VD 434	FDB2012	VD 953	FDB2005
VD 435	FDB2049	VD 955	FDB2037
VD 436	FDB2111	VD 956	FDB485
VD 437	FDB2036	VD 957	FDB2001
VD 438	FDB2080	VD 958	FDB2006
VD 439	FDB2124	VD 959	FDB2050
VD 440	FDB2110	VD 963	FDB2121
VD 441	FDB2188	VD 965	FDB2175
VD 443	FDB2158	VD 973	FDB2177
VD 9003	FDB2127	VD 991	FDB2183
VD 9009JL	FDB2179	VD 992	FDB2176
VD 9010JL	FDB2180	VD 993	FDB2145
VD 9017	FDB2105	VD 996	FDB2191
VD 9022	FDB2202	VD 998	FDB2198

FERODO™

MOTORCYCLE PADS



BRAKE SHOES XREF
Competitors to Ferodo

FERODO™

MOTORCYCLE PADS

BRAKE SHOES X-REF

COMPETITORS TO FERODO

EBC	Ferodo	EBC	Ferodo	EBC	Ferodo	EBC	Ferodo
860	FSB700	338	FSB756	814	FSB816	910	FSB875
861	FSB701	344	FSB757	811	FSB817	921	FSB876
301	FSB702	335	FSB758	929	FSB818	945	FSB877
302	FSB703	987	FSB759	822	FSB819	917/918	FSB878
303	FSB704	306	FSB760	933	FSB820	902	FSB879
304	FSB705	343	FSB761	937	FSB821	915/916	FSB882
310	FSB706	350	FSB762	878	FSB822	897	FSB883
312	FSB707	508	FSB763	978	FSB823	914	FSB884
313	FSB708	502	FSB764	979	FSB824	906	FSB885
318	FSB709	515	FSB765	934	FSB825	912	FSB886
320	FSB710	522	FSB766	935	FSB826	942	FSB887
321	FSB711	511	FSB767	936	FSB827	868	FSB888
322	FSB712	941	FSB768	990	FSB828	907	FSB889
330	FSB713	512	FSB769	883	FSB829	905	FSB890
333	FSB714	513	FSB770	998	FSB831	904	FSB891
336	FSB715	525	FSB771	985	FSB832	881	FSB892
702	FSB716	521	FSB772	944	FSB833	882	FSB893
703	FSB717	609	FSB773	955	FSB834	885	FSB894
706	FSB718	619	FSB775	975	FSB835	886	FSB895
709	FSB719	618	FSB776	976	FSB836	890	FSB896
601	FSB720	624	FSB777	965	FSB837	922	FSB897
602	FSB721	622	FSB778	954	FSB838	841	FSB898
603	FSB722	621	FSB779	958	FSB839	939	FSB899
604	FSB723	611	FSB780	977	FSB841	995	FSB900
605	FSB724	983	FSB781	989	FSB842	843	FSB901
606	FSB725	634	FSB782	959	FSB843	908	FSB902
613	FSB726	615	FSB783	845	FSB844	988	FSB903
614	FSB727	626	FSB784	982	FSB845	940	FSB904
617	FSB728	620	FSB785	943	FSB846	996	FSB906
627	FSB729	616	FSB786	821	FSB847	926	FSB907
501	FSB730	893	FSB788	953	FSB848	931	FSB908
503	FSB731	630	FSB790	842	FSB849	981	FSB909
504	FSB732	631	FSB791	801	FSB850	909	FSB910
506	FSB733	632	FSB792	865	FSB851	952	FSB911
510	FSB734	708	FSB793	927	FSB852	924	FSB912
514	FSB735	710	FSB794	948	FSB853	507	FSB913
516	FSB736	713	FSB795	949	FSB854	892	FSB914
517	FSB737	704	FSB797	951	FSB855	896	FSB915
518	FSB738	701	FSB798	992	FSB856	858	FSB916
519	FSB739	705	FSB799	833	FSB857	853	FSB919
323	FSB740	711	FSB800	844	FSB858	852	FSB920
316	FSB741	714	FSB801	947	FSB859	854	FSB921
315	FSB742	715	FSB802	894	FSB860	851	FSB922
325	FSB743	930	FSB803	895	FSB861	339	FSB925
327	FSB744	862	FSB804	887	FSB862	625	FSB927
328	FSB745	863	FSB805	859	FSB863	520	FSB928
331	FSB746	864	FSB806	873	FSB864	633	FSB929
324	FSB747	831	FSB807	876	FSB865	347	FSB931
341	FSB748	999	FSB808	888	FSB866	717	FSB932
309	FSB749	986	FSB809	880	FSB867	524	FSB933
319	FSB750	997	FSB810	901	FSB869	628	FSB934
332	FSB751	866	FSB811	877	FSB870	804	FSB936
337	FSB752	802	FSB812	867	FSB871	900	FSB937
346	FSB753	803	FSB813	993/994	FSB872	899	FSB938
334	FSB754	812	FSB814	911	FSB873	805	FSB939
340	FSB755	813	FSB815	903	FSB874	806	FSB940

BRAKE SHOES X-REF

COMPETITORS TO FERODO

EBC	Ferodo	LUCAS	Ferodo	NEWFREN	Ferodo	NEWFREN	Ferodo
807	FSB941	MCS953	FSB733	.GF.1211	FSB700	.GF.1253	FSB756
311	FSB942	MCS955	FSB734	.GF.1218	FSB701	.GF.1254	FSB757
314	FSB943	MCS958	FSB736	.GF.1093	FSB702	.GF.1247	FSB758
342	FSB944	MCS964	FSB737	.GF.1198	FSB703	.GF.0227	FSB759
345	FSB945	MCS956	FSB738	.GF.1043	FSB704	.GF.1206	FSB760
351	FSB946	MCS963	FSB739	.GF.1178	FSB705	.GF.1232	FSB761
527	FSB947	MCS812	FSB740	.GF.1194	FSB706	.GF.1289	FSB762
528	FSB948	MCS809	FSB741	.GF.1175	FSB707	.GF.1164	FSB763
612	FSB950	MCS850	FSB741	.GF.1192	FSB708	.GF.1199	FSB764
809	FSB951	MCS802	FSB742	.GF.1171	FSB709	.GF.1204	FSB765
808	FSB952	MCS816	FSB744	.GF.1109	FSB710	.GF.1264	FSB766
810	FSB953	MCS811	FSB749	.GF.1214	FSB711	.GF.1168	FSB767
816	FSB954	MCS815	FSB751	.GF.1143	FSB712	.GF.0223	FSB768
817	FSB956	MCS821	FSB755	.GF.1184	FSB713	.GF.1202	FSB769
635	FSB957	MCS832	FSB756	.GF.1248	FSB714	.GF.1203	FSB770
818	FSB958	MCS824	FSB757	.GF.1229	FSB715	.GF.1278	FSB771
819	FSB959	MCS822	FSB761	.GF.1235	FSB716	.GF.1270	FSB772
820	FSB960	MCS831	FSB762	.GF.1236	FSB717	.GF.1121	FSB773
857	FSB962	MCS961	FSB764	.GF.1238	FSB718	.GF.1255	FSB775
352	FSB963	MCS957	FSB765	.GF.1240	FSB719	.GF.1158	FSB776
824	FSB964	MCS833	FSB767	.GF.1220	FSB720	.GF.1233	FSB777
307	FSB966	MCS952	FSB767	.GF.1147	FSB721	.GF.1165	FSB778
533	FSB967	MCS834	FSB769	.GF.1146	FSB722	.GF.1166	FSB779
		MCS950	FSB769	.GF.1196	FSB723	.GF.1191	FSB780
		MCS954	FSB770	.GF.1186	FSB724	.GF.0229	FSB781
LUCAS	Ferodo	MCS969	FSB772	.GF.1195	FSB725	.GF.1120	FSB782
MCS940	FSB700	MCS904	FSB773	.GF.1225	FSB726	.GF.1227	FSB783
MCS941	FSB701	MCS921	FSB777	.GF.1226	FSB727	.GF.1230	FSB784
MCS827	FSB702	MCS906	FSB780	.GF.1216	FSB728	.GF.1231	FSB785
MCS813	FSB703	MCS905	FSB782	.GF.1228	FSB729	.GF.1161	FSB786
MCS800	FSB704	MCS993	FSB783	.GF.1193	FSB730	.GF.1157	FSB787
MCS804	FSB705	MCS915	FSB786	.GF.1200	FSB731	.GF.0255	FSB788
MCS817	FSB706	MCS991	FSB792	.GF.1188	FSB732	.GF.1268	FSB789
MCS803	FSB707	MCS851	FSB795	.GF.1105	FSB733	.GF.1269	FSB790
MCS807	FSB708	MCS858	FSB800	.GF.1167	FSB734	.GF.1296	FSB791
MCS805	FSB709	MCS857	FSB802	.GF.1190	FSB735	.GF.1297	FSB792
MCS808	FSB710	MCS942	FSB804	.GF.1197	FSB736	.GF.1140	FSB793
MCS892	FSB710	MCS943	FSB805	.GF.1163	FSB737	.GF.1141	FSB794
MCS806	FSB711	MCS944	FSB806	.GF.1187	FSB738	.GF.1142	FSB795
MCS828	FSB712	MCS890	FSB823	.GF.1217	FSB739	.GF.0179	FSB796
MCS819	FSB713	MCS891	FSB824	.GF.1177	FSB740	.GF.1148	FSB797
MCS825	FSB714	MCS945	FSB863	.GF.1130	FSB741	.GF.1234	FSB798
MCS820	FSB715	MCS980	FSB874	.GF.1150	FSB742	.GF.1237	FSB799
MCS861	FSB717	MCS990	FSB883	.GF.1169	FSB743	.GF.1242	FSB800
MCS853	FSB718	MCS981	FSB890	.GF.1172	FSB744	.GF.1244	FSB801
MCS852	FSB719	MCS986	FSB891	.GF.1173	FSB745	.GF.1245	FSB802
MCS855	FSB721	MCS983	FSB892	.GF.1174	FSB746	.GF.0220	FSB803
MCS854	FSB722	MCS982	FSB893	.GF.1215	FSB747	.GF.1219	FSB804
MCS901	FSB723	MCS987	FSB894	.GF.1252	FSB748	.GF.1256	FSB805
MCS902	FSB724	MCS988	FSB902	.GF.1170	FSB749	.GF.1257	FSB806
MCS907	FSB725	MCS985	FSB915	.GF.1213	FSB750	.GF.1137	FSB807
MCS919	FSB725	MCS920	FSB936	.GF.1179	FSB751	.GF.1249	FSB808
MCS856	FSB728	MCS989	FSB940	.GF.1223	FSB752	.GF.1261	FSB809
MCS918	FSB729	MCS995	FSB946	.GF.1259	FSB753	.GF.1265	FSB810
MCS960	FSB730	MCS968	FSB947	.GF.1246	FSB754	.GF.1267	FSB811
MCS962	FSB731	MCS994	FSB954	.GF.1251	FSB755	.GF.1152	FSB812
MCS951	FSB732						

BRAKE SHOES X-REF

COMPETITORS TO FERODO

NEWFREN	Ferodo	NEWFREN	Ferodo	NEWFREN	Ferodo	SBS	Ferodo
.GF.1160	FSB813	.GF.1262	FSB871	.GF.1273	FSB928	SBS2038	FSB718
.GF.1124	FSB814	.GF.0242/3	FSB872	.GF.1302	FSB929	SBS2060	FSB719
.GF.1126	FSB815	.GF.0127	FSB873	.GF.1276	FSB931	SBS2094	FSB720
.GF.1185	FSB816	.GF.0128	FSB874	.GF.1274	FSB932	SBS2014	FSB721
.GF.1159	FSB817	.GF.0087	FSB875	.GF.1291	FSB933	SBS2183	FSB721
.GF.0183	FSB818	.GF.0201	FSB876	.GF.1275	FSB934	SBS2015	FSB722
.GF.1044	FSB819	.GF.1151	FSB877	.GF.0258/9	FSB935	SBS2017	FSB723
.GF.1154	FSB820	.GF.0197/8	FSB878	.GF.1279	FSB936	SBS2016	FSB724
.GF.1176	FSB821	.GF.0160	FSB879	.GF.0260	FSB937	SBS2018	FSB725
.GF.1128	FSB822	.GF.0176	FSB880	.GF.0261	FSB938	SBS2111	FSB725
.GF.1145	FSB823	.GF.0177	FSB881	.GF.0262	FSB939	SBS2020	FSB726
.GF.1260	FSB824	.GF.0166/7	FSB882	.GF.0263	FSB940	SBS2101	FSB727
.GF.1153	FSB825	.GF.1300	FSB883	.GF.0264	FSB941	SBS2103	FSB728
.GF.1155	FSB826	.GF.0115	FSB884	.GF.1209	FSB942	SBS2112	FSB730
.GF.1156	FSB827	.GF.0130	FSB885	.GF.1210	FSB943	SBS2028	FSB731
.GF.1183	FSB828	.GF.0174	FSB886	.GF.1258	FSB944	SBS2032	FSB732
.GF.0247	FSB829	.GF.0224	FSB887	.GF.1263	FSB945	SBS2034	FSB733
.GF.1250	FSB831	.GF.0234	FSB888	.GF.1305	FSB946	SBS2037	FSB734
.GF.1241	FSB832	.GF.0190	FSB889	.GF.1303	FSB947	SBS2064	FSB735
.GF.1181	FSB833	.GF.0162	FSB890	.GF.1304	FSB948	SBS2066	FSB736
.GF.1182	FSB834	.GF.0159	FSB891	.GF.1224	FSB950	SBS2049	FSB737
.GF.1084	FSB835	.GF.0249	FSB892	.GF.0265	FSB951	SBS2050	FSB738
.GF.1088	FSB836	.GF.0250	FSB893	.GF.0266	FSB952	SBS2021	FSB739
.GF.0218	FSB837	.GF.0251	FSB894	.GF.0267	FSB953	SBS2029	FSB740
.GF.0214	FSB838	.GF.0252	FSB895	.GF.0268	FSB954	SBS2072	FSB741
.GF.0089	FSB839	.GF.0254	FSB896	.GF.1308	FSB956	SBS2024	FSB742
.GF.0149	FSB840	.GF.0097	FSB897	.GF.1309	FSB957	SBS2070	FSB743
.GF.0232	FSB841	.GF.0200	FSB898	.GF.1310	FSB958	SBS2075	FSB743
.GF.0150	FSB842	.GF.0221	FSB899	.GF.1311	FSB959	SBS2042	FSB746
.GF.0170	FSB843	.GF.0244	FSB900	.GF.1312	FSB960	SBS2031	FSB747
.GF.0219	FSB844	.GF.0204	FSB901	.GF.1314	FSB962	SBS2082	FSB748
.GF.0235	FSB845	.GF.0151	FSB902	.GF.1316	FSB963	SBS2030	FSB751
.GF.0225	FSB846	.GF.0228	FSB903	.GF.1317	FSB964	SBS2077	FSB751
.GF.0084	FSB847	.GF.0222	FSB904	.GF.0269	FSB965	SBS2048	FSB753
.GF.0226	FSB848	.GF.0097/A	FSB905	.GF.1207	FSB966	SBS2194	FSB754
.GF.0213	FSB849	.GF.0245	FSB906	.GF.1318	FSB967	SBS2043	FSB756
.GF.1110	FSB850	.GF.0153	FSB907			SBS2047	FSB757
.GF.1266	FSB851	.GF.0210	FSB908	SBS	Ferodo	SBS2193	FSB758
.GF.0208	FSB852	.GF.0233	FSB909	SBS2139	FSB700	SBS2019	FSB760
.GF.0212	FSB853	.GF.0152	FSB910	SBS2140	FSB701	SBS2046	FSB761
.GF.1131	FSB854	.GF.0200/A	FSB911	SBS2010	FSB702	SBS2189	FSB762
.GF.1133	FSB855	.GF.0215	FSB912	SBS2011	FSB703	SBS2036	FSB763
.GF.0236	FSB856	.GF.1162	FSB913	SBS2012	FSB704	SBS2182	FSB764
.GF.1135	FSB857	.GF.0256	FSB914	SBS2013	FSB705	SBS2065	FSB765
.GF.0203	FSB858	.GF.0257	FSB915	SBS2069	FSB706	SBS2182	FSB766
.GF.0209	FSB859	.GF.1075	FSB916	SBS2023	FSB707	SBS2035	FSB767
.GF.1283	FSB860	.GF.1076	FSB917	SBS2058	FSB708	SBS2063	FSB769
.GF.1284	FSB861	.GF.1081	FSB918	SBS2026	FSB709	SBS2113	FSB770
.GF.0253	FSB862	.GF.1090	FSB919	SBS2027	FSB710	SBS2191	FSB771
.GF.1294	FSB863	.GF.1091	FSB920	SBS2059	FSB711	SBS2115	FSB772
.GF.1180	FSB864	.GF.1092	FSB921	SBS2074	FSB712	SBS2097	FSB773
.GF.1271	FSB865	.GF.1104	FSB922	SBS2041	FSB713	SBS2104	FSB776
.GF.1272	FSB866	.GF.1111	FSB923	SBS2057	FSB714	SBS2181	FSB777
.GF.1277	FSB867	.GF.1112	FSB924	SBS2080	FSB715	SBS2108	FSB778
.GF.0024	FSB869	.GF.1212	FSB925	SBS2025	FSB717	SBS2107	FSB779
.GF.0246	FSB870	.GF.1201	FSB927	SBS2056	FSB717	SBS2099	FSB780

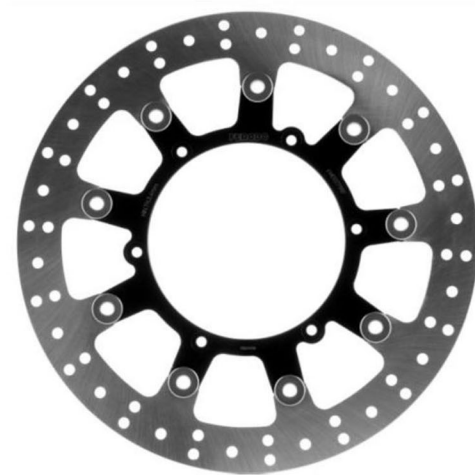
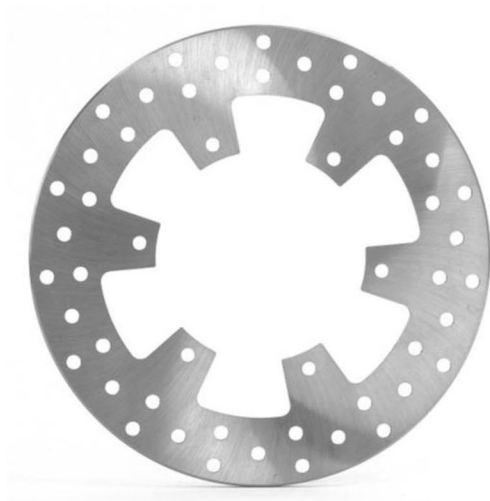
BRAKE SHOES X-REF

COMPETITORS TO FERODO

SBS	Ferodo	VESRAH	Ferodo	VESRAH	Ferodo
SBS2098	FSB782	VB130	FSB706	VB220	FSB767
SBS2022	FSB783	VB125	FSB707	VB227	FSB769
SBS2052	FSB784	VB132	FSB708	VB206	FSB770
SBS2102	FSB786	VB136	FSB709	VB305	FSB773
SBS2088	FSB793	VB129	FSB710	VB328	FSB777
SBS2197	FSB794	VB133	FSB711	VB315	FSB779
SBS2091	FSB795	VB142	FSB713	VB307	FSB780
SBS2039	FSB797	VB159	FSB713	VB321	FSB784
SBS2087	FSB798	VB150	FSB714	VB318	FSB785
SBS2040	FSB799	VB416	FSB717	VB316	FSB786
SBS2092	FSB801	VB413	FSB718	VB324	FSB791
SBS2093	FSB802	VB412	FSB719	VB325	FSB792
SBS2141	FSB804	VB322	FSB720	VB404	FSB793
SBS2117	FSB812	VB302	FSB721	VB419	FSB794
SBS2118	FSB813	VB409	FSB721	VB405	FSB795
SBS2120	FSB814	VB410	FSB721	VB408	FSB797
SBS2121	FSB815	VB312	FSB722	VB414	FSB798
SBS2122	FSB816	VB406	FSB722	VB411	FSB799
SBS2171	FSB823	VB310	FSB723	VB415	FSB801
SBS2172	FSB824	VB309	FSB724	VB417	FSB802
SBS2116	FSB850	VB407	FSB724	VB330	FSB883
SBS2143	FSB863	VB308	FSB725	VB219	FSB913
SBS2146	FSB874	VB313	FSB726	VB147	FSB925
SBS2188	FSB883	VB314	FSB727	VB124	FSB942
SBS2185	FSB892	VB323	FSB727	VB119	FSB943
SBS2184	FSB893	VB311	FSB728	VB152	FSB945
SBS2186	FSB894	VB224	FSB730	VB157	FSB946
SBS2187	FSB895	VB229	FSB731	VB239	FSB947
SBS2196	FSB910	VB212	FSB732	VB123	FSB966
SBS2033	FSB913	VB223	FSB733		
SBS2044	FSB925	VB235	FSB733		
SBS2051	FSB927	VB208	FSB734		
SBS2114	FSB928	VB210	FSB734		
SBS2085	FSB931	VB228	FSB734		
SBS2054	FSB932	VB225	FSB735		
SBS2178	FSB933	VB231	FSB736		
SBS2053	FSB934	VB233	FSB737		
SBS2195	FSB938	VB140	FSB740		
SBS2200	FSB940	VB128	FSB741		
SBS2071	FSB943	VB127	FSB742		
SBS2045	FSB944	VB138	FSB743		
SBS2198	FSB946	VB149	FSB744		
SBS2207	FSB946	VB144	FSB745		
SBS2199	FSB947	VB143	FSB746		
SBS2204	FSB953	VB154	FSB746		
SBS2205	FSB954	VB137	FSB747		
SBS2201	FSB956	VB151	FSB748		
SBS2202	FSB957	VB139	FSB749		
SBS2203	FSB958	VB148	FSB751		
		VB158	FSB755		
VESRAH	Ferodo	VB135	FSB760		
VB134	FSB702	VB146	FSB761		
VB141	FSB703	VB234	FSB763		
VB101	FSB704	VB226	FSB764		
VB110	FSB704	VB319	FSB764		
VB126	FSB705	VB230	FSB765		



MOTORCYCLE DISCS



Motorcycle Applications



MOTORCYCLE DISCS



DISCS TYPE



DISCS TYPE

APRILIA

AMICO SPORT LX (GC/G799) scooter	50	1992 →	FMD0001	R		
AREA 51 SBK scooter	50	2000 → 2002			FMD0002	R
AREA 51 scooter	50	1998 → 2002			FMD0002	R
GULLIVER (LH02/H126) scooter	50	1996 → 1998	FMD0002	R		
HABANA (PK/K385) scooter	50	1998 → 2002	FMD0002	R		
RALLY AC (MD/H062) scooter	50	1995 → 2000	FMD0002	R		
RALLY LC (MD/H062) scooter	50	1997 →	FMD0002	R	FMD0002	R
SCARABEO 4t scooter	50	2004 →	FMD0044	R		
SCARABEO DE-LUX scooter	50	1998 →	FMD0044	R	FMD0002	R
SCARABEO DITECH (SC,TG,TH/EBE) scooter	50	2001 →	FMD0044	R	FMD0002	R
SCARABEO scooter	50	1998 →	FMD0044	R		
SONIC (PB/K002) scooter	50	1998 →	FMD0001	R		
SONIC GP (PB/K002) scooter	50	1998 →	FMD0001	R		
SR DITECH (RL/e3/0012) scooter	50	2001 → 2006	FMD0002	R	FMD0002	R
SR R FACTORY scooter	50	2005 → 2006	FMD0002	R		
SR scooter	50	1993 → 2000	FMD0002	R		
SR STEALTH LC (LY/H639) scooter	50	1996 → 2000	FMD0002	R	FMD0002	R
SR STREET scooter	50	2005 →	FMD0002	R	FMD0002	R
SCARABEO	100	2000 →	FMD0003	R		
SCARABEO 4t	100	2004 →	FMD0003	R		
AF1 FUTURA	125	1990 → 1992	FMD0111	RX		
LEONARDO	125	1996 → 1998	FMD0003	R	FMD0002	R
LEONARDO ST	125	1999 → 2004	FMD0003	R	FMD0002	R
MX	125	2004 → 2007	FMD0111	RX	FMD0164	R
PEGASO	125	1990 → 1991			FMD0164	R
RS	125	1998 → 2011	FMD0111	RX		
RS EXTREMA	125	1992 → 1997	FMD0111	RX	FMD0164	R
RS REPLICA	125	1992 → 1997	FMD0111	RX	FMD0164	R
SCARABEO	125	1999 → 2003	FMD0050	R	FMD0003	R
SCARABEO GT	125	1999 → 2003	FMD0050	R	FMD0003	R
SPORTCITY	125	2004 → 2007	FMD0050	R	FMD0003	R
SR (PX125/K4740) scooter	125	1999 → 2003	FMD0002	R		
TUONO	125	2004 → 2005	FMD0111	RX		
LEONARDO	150	1997 → 1998	FMD0003	R	FMD0002	R
LEONARDO ST	150	1999 →	FMD0003	R	FMD0002	R
SCARABEO	150	1999 → 2002	FMD0050	R	FMD0003	R
SR (PX/K508) scooter	150	1999 → 2003	FMD0002	R		
SCARABEO GT	200	2001 → 2004	FMD0050	R	FMD0003	R
SPORTCITY	200	2005 → 2007	FMD0050	R	FMD0003	R
LEONARDO	250	1999 → 2004	FMD0003	R	FMD0171	R
LEONARDO (Grimeca cal.)	250	1999 → 2004	FMD0003	R	FMD0171	R
RS REPLICA	250	1995 → 2003	FMD0132 (x2)	RX		
SCARABEO scooter	250	2005 → 2006	FMD0050	R		
SPORTCITY	250	2006 → 2007	FMD0050 (x2)	R	FMD0003	R
LEONARDO	300	2002 → 2004			FMD0171	R
LEONARDO (Grimeca cal.)	300	2005 → 2006	FMD0003	R	FMD0171	R
LEONARDO ST	300	2005 → 2006	FMD0003	R	FMD0171	R
SCARABEO URBAN scooter	400	2006 →	FMD0050 (x2)	R		
RXV	450	2005 → 2007			FMD0406	R
SXV	450	2005 → 2007	FMD0401	RX	FMD0406	R
ATLANTIC (PT/e3/0097) scooter	500	2002 → 2005	FMD0050 (x2)	R		
ATLANTIC 500	500	2002 → 2004			FMD0171	R
ATLANTIC 500 SPRINT	500	2005 →			FMD0171	R
SCARABEO (RT/e11/00072) scooter	500	2003 → 2005	FMD0050 (x2)	R		
SCARABEO 500	500	2002 → 2005			FMD0171	R
SCARABEO URBAN scooter	500	2006 →	FMD0050 (x2)	R		
RXV	550	2005 → 2007			FMD0406	R
SXV	550	2005 → 2007	FMD0401	RX	FMD0406	R
PEGASO	600	1989 → 1990			FMD0164	R
MOTO 6.5 (MH00/H0610)	650	1995 → 2002			FMD0164	R
PEGASO	650	1991 → 2000	FMD0038	RF	FMD0164	R
PEGASO I.E.	650	2001 → 2004	FMD0038	RF	FMD0207	R
PEGASO STRADA	650	2005 → 2009	FMD0111	RX		
PEGASO TRAIL	650	2005 → 2008	FMD0038	RF	FMD0207	R
DORSODURO	750	2008 → 2010	FMD0111 (x2)	RX		
DORSODURO FACTORY	750	2010 → 2011	FMD0111 (x2)	RX		
SHIVER GT	750	2009 →	FMD0111 (x2)	RX		
SL SHIVER	750	2007 → 2010	FMD0111 (x2)	RX		
MANA	850	2007 → 2011	FMD0111 (x2)	RX		
MANA GT	850	2009 → 2012	FMD0111 (x2)	RX		
RSV	1000	1998 → 2000	FMD0111 (x2)	RX		
RSV	1000	2001 → 2003	FMD0352 (x2)	RX		
RSV FACTORY	1000	2003 → 2007	FMD0352 (x2)	RX		
RSV R	1000	2000 →	FMD0111 (x2)	RX		
RSV R	1000	2001 → 2009	FMD0352 (x2)	RX		
RSV SP	1000	1999 → 2000	FMD0111 (x2)	RX		

10000



DISCS TYPE



DISCS TYPE

...APRILIA

RSV4 FACTORY APRC	1000	2011 → 2012	FMD0352 (x2)	RX
RSV4 R	1000	2009 → 2012	FMD0352 (x2)	RX
SL 1000 FALCO	1000	2000 → 2004	FMD0111 (x2)	RX
TUONO FIGHTER	1000	2002 → 2005	FMD0111 (x2)	RX
TUONO R (2 pads per caliper)	1000	2003 → 2009	FMD0111 (x2)	RX
TUONO R (4 pads per caliper)	1000	2003 → 2005	FMD0352 (x2)	RX
TUONO RACING	1000	2004 → 2005	FMD0352 (x2)	RX
TUONO V4 R	1000	2011 →	FMD0352 (x2)	RX
TUONO V4 R APRC	1000	2011 →	FMD0352 (x2)	RX
DORSODURO	1200	2011 → 2012	FMD0352 (x2)	RX
DORSODURO ABS	1200	2011 →	FMD0352 (x2)	RX

BENELLI

ADIVA	125	2000 → 2002	FMD0007	R	FMD0413	R
ADIVA	150	2000 → 2002	FMD0007	R	FMD0413	R
VELVET DUSK scooter	400	2003 →			FMD0022	R
CENTURY RACER	899	2011 →	FMD0111 (x2)	RX	FMD0207	R
TRE K	899	2011 →	FMD0111 (x2)	RX	FMD0207	R
TORNADO TRE	900	2001 → 2002	FMD0111 (x2)	RX		
TORNADO TRE	900	2003 → 2006	FMD0352 (x2)	RX		
TORNADO TRE RS	900	2004 → 2006	FMD0352 (x2)	RX		
TNT	1100	2004 →	FMD0111 (x2)	RX	FMD0207	R
CAFE RACER	1130	2011 →	FMD0111 (x2)	RX	FMD0207	R
CENTURY RACER	1130	2011 →	FMD0111 (x2)	RX	FMD0207	R
TNT	1130	2004 → 2006	FMD0111 (x2)	RX	FMD0207	R
TNT CAFE RACER	1130	2005 → 2007	FMD0352 (x2)	RX	FMD0207	R
TNT R160	1130	2011 →	FMD0111 (x2)	RX	FMD0207	R
TNT RS	1130	2005 → 2007	FMD0352 (x2)	RX	FMD0207	R
TNT TITANIUM	1130	2005 → 2007	FMD0352 (x2)	RX	FMD0207	R
TORNADO	1130	2006 →	FMD0352 (x2)	RX		
TRE K	1130	2011 →	FMD0111 (x2)	RX	FMD0207	R

BETA

ARK (BS/K529) (BS4/e1/00114) scooter	50	1997 →	FMD0002	R		
ARK LC (BS/K529)	50	1999 →	FMD0002	R	FMD0002	R
CHRONO 13 scooter	50	1994 →	FMD0002	R		
TEMPO 13 scooter	50	1995 → 1996	FMD0002	R		
EIKON	125	1999 → 2003	FMD0003	R		

BIMOTA

YB7	400	1989 →	FMD0111 (x2)	RX
V-DUE	500	1997 → 2000	FMD0111 (x2)	RX
YB9	600	1997 → 2000	FMD0111 (x2)	RX
BB1 SUPERMONO	650	1996 → 2000	FMD0111	RX
TESI 1D 851	851	1990 → 1991	FMD0111 (x2)	RX
DB2 SR	904	1993 → 2000	FMD0111 (x2)	RX
DB3 MANTRA	904	1995 → 2000	FMD0111 (x2)	RX
DB4	904	1998 → 1999	FMD0111 (x2)	RX
DIECI BIPOSTO	1000	1992 → 1995	FMD0111 (x2)	RX
SB8K GOBERT	1000	2006 →	FMD0111 (x2)	RX
SB8K SANTAMONICA	1000	2006 →	FMD0352 (x2)	RX
SB8R	1000	1997 → 2000	FMD0111 (x2)	RX
SB6	1100	1996 → 2000	FMD0111 (x2)	RX
SB6R	1100	1998 → 2000	FMD0111 (x2)	RX

BMW

R 45	450	1978 → 1986	FMD0080 (x2)	R		
F 650	650	1994 → 2001			FMD0207	R
F 650 CS	650	2002 → 2007			FMD0207	R
F 650 GS	650	2001 → 2007			FMD0207	R
F 650 GS	650	2008 → 2011			FMD0407	R
F 650 GS ABS	650	2001 → 2007			FMD0207	R
F 650 GS ABS	650	2008 → 2011			FMD0407	R
F 650 GS DAKAR	650	1999 → 2007			FMD0207	R
F 650 ST	650	1997 → 2001			FMD0207	R
G 650 X Challenge/ X Country	650	2007 →			FMD0207	R
G 650 X Moto	650	2007 → 2009	FMD0111	RX	FMD0207	R
R 65	650	1978 → 1980	FMD0080	R		
R 65 LS	650	1982 → 1988	FMD0080 (x2)	R		
R 65/1	650	1986 →	FMD0080	R		
K 75	750	1984 → 1996	FMD0081 (x2)	R		

BMW



DISCS TYPE



DISCS TYPE

BMW

K 75 C	750	1985 → 1991	FMD0081 (x2)	R		
K 75 RT	750	1990 → 1996	FMD0081 (x2)	R	FMD0081	R
K 75 S	750	1985 → 1996	FMD0081 (x2)	R	FMD0081	R
F 800 GS	800	2009 → 2011			FMD0407	R
F 800 R	800	2009 → 2011			FMD0407	R
F 800 S	800	2006 → 2010	FMD0082 (x2)	R	FMD0407	R
F 800 ST	800	2006 → 2011	FMD0082 (x2)	R	FMD0407	R
PARIS DAKAR	800	1981 → 1987	FMD0080 (x2)	R		
R 80	800	1981 → 1993	FMD0081 (x2)	R		
R 80 GS	800	1981 → 1987	FMD0080	R		
R 80 GS	800	1988 → 1990	FMD0080 (x2)	R		
R 80 GS Paris Dakar	800	1988 → 1994	FMD0081	R		
R 80 R ROADSTER	800	1992 → 1993	FMD0081 (x2)	R		
R 80 RT	800	1985 → 1994	FMD0081 (x2)	R		
R 850 C	850	1998 → 2001	FMD0082 (x2)	R	FMD0075	R
R 850 GS	850	1998 → 2007	FMD0082 (x2)	R	FMD0075	R
R 850 R	850	1994 → 2001	FMD0206 (x2)	RF	FMD0075	R
R 850 R	850	2002 → 2007	FMD0082 (x2)	R	FMD0075	R
R 850 RT	850	1995 → 2001	FMD0206 (x2)	RF	FMD0075	R
R 850 RT Integral ABS	850	2001 → 2004	FMD0083 (x2)	R	FMD0075	R
K 100	1000	1983 → 1989	FMD0081 (x2)	R	FMD0081	R
K 100 LT ABS	1000	1990 → 1991	FMD0081 (x2)	R	FMD0081	R
K 100 LT LIMITED	1000	1991 → 1992	FMD0081 (x2)	R	FMD0081	R
K 100 RS	1000	1984 → 1989	FMD0081 (x2)	R	FMD0081	R
K 100 RS 16V	1000	1989 → 1993	FMD0206 (x2)	RF	FMD0081	R
K 100 RT	1000	1984 → 1989	FMD0081 (x2)	R	FMD0081	R
K1	1000	1989 → 1993	FMD0206 (x2)	RF	FMD0081	R
R 100	1000	1981 → 1989	FMD0080 (x2)	R	FMD0080	R
R 100 CS	1000	1981 → 1989	FMD0080 (x2)	R		
R 100 GS	1000	1987 → 1994	FMD0081	R		
R 100 GS MYSTIC	1000	1991 →	FMD0081 (x2)	R		
R 100 R	1000	1992 → 1996	FMD0081 (x2)	R	FMD0081	R
R 100 R ROADSTER	1000	1992 → 1995	FMD0081	R		
R 100 RS	1000	1976 → 1980	FMD0080 (x2)	R	FMD0080	R
R 100 RT	1000	1991 → 1994	FMD0081 (x2)	R		
K 1100 LT	1100	1992 → 2000	FMD0206 (x2)	RF	FMD0081	R
K 1100 RS	1100	1993 → 1996	FMD0206 (x2)	RF	FMD0081	R
R 1100	1100	1995 → 2001	FMD0206 (x2)	RF	FMD0075	R
R 1100 GS	1100	1994 → 2001	FMD0082 (x2)	R	FMD0075	R
R 1100 RS	1100	1994 → 2001	FMD0206 (x2)	RF	FMD0081	R
R 1100 RT	1100	1994 → 2001	FMD0206 (x2)	RF	FMD0075	R
R 1100 S	1100	1999 → 2000	FMD0082 (x2)	R	FMD0075	R
R 1100 S	1100	2001 → 2006	FMD0083 (x2)	R	FMD0075	R
R 1100 S Boxer Cup Replika	1100	2003 → 2006	FMD0083 (x2)	R	FMD0075	R
R 1150 GS	1150	1999 → 2001	FMD0082 (x2)	R	FMD0075	R
R 1150 GS- ADVENTURE	1150	2002 → 2005	FMD0082 (x2)	R	FMD0075	R
R 1150 R (R21/E1/0041)	1150	2001 →	FMD0083 (x2)	R	FMD0075	R
R 1150 R ROCKSTER (R21/e1/00041)	1150	2003 →	FMD0083 (x2)	R	FMD0075	R
R 1150 RS (R22/e1/00101)	1150	2001 →	FMD0083 (x2)	R	FMD0075	R
R 1150 RT ABS (R22/e1/00101)	1150	2001 →	FMD0083 (x2)	R	FMD0075	R
HP2	1200	2006 →	FMD0082	R	FMD0407	R
HP2 Megamoto	1200	2007 →			FMD0407	R
HP2 SPORT	1200	2008 → 2011			FMD0407	R
K 1200 GT ABS (K12/e1/0104)	1200	2002 →	FMD0083 (x2)	R		
K 1200 LT (BMW589/H646)	1200	1999 → 2000	FMD0082 (x2)	R		
K 1200 LT ABS (K2LT/e1/00019)	1200	2001 →	FMD0083 (x2)	R		
K 1200 R	1200	2005 →	FMD0083 (x2)	R	FMD0407	R
K 1200 RS (BMW589/H646)	1200	1997 → 2000	FMD0082 (x2)	R		
K 1200 RS (K12/e1/0104) (K12/e1/0196)	1200	2001 →	FMD0083 (x2)	R		
K 1200 S	1200	2005 → 2006	FMD0083 (x2)	R	FMD0407	R
R 1200 C (BMW259C/H733)	1200	1998 → 2000	FMD0082 (x2)	R		
R 1200 C CLASSIC	1200	2003 →	FMD0082 (x2)	R		
R 1200 CL (K30/e1/0195)	1200	2003 → 2006	FMD0082 (x2)	R		
R 1200 GS	1200	2004 → 2006	FMD0082 (x2)	R	FMD0407	R
R 1200 GS ADVENTURE	1200	2006 →	FMD0082 (x2)	R	FMD0407	R
R 1200 R	1200	2006 → 2007	FMD0083 (x2)	R	FMD0407	R
R 1200 RT	1200	2005 → 2006	FMD0083 (x2)	R	FMD0407	R
R 1200 S	1200	2006 →	FMD0083 (x2)	R	FMD0407	R
R 1200 ST	1200	2005 → 2006	FMD0083 (x2)	R	FMD0407	R
K 1300 R - ABS	1300	2008 → 2011			FMD0407	R
K 1300 S	1300	2009 → 2012			FMD0407	R

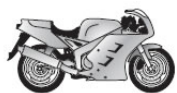


DISCS TYPE



DISCS TYPE

BOMBARDIERDS X 650 2001 → 2002 **FMD0353 (x2)** R**BUELL**M2- S1- S3- S3T (EB1/H657) 1200 1998 → 2002 **FMD0136** RX **FMD0205** R
X1 LIGHTNING (BL1/e1/0006) 1200 1999 → 2002 **FMD0205** R**CAGIVA**CITY scooter 50 1992 → 1994 **FMD0006** R
FRECCIA C12R 125 1989 → 1991 **FMD0121** RX
MITO 125 1991 → 1992 **FMD0111** RX
MITO 125 1993 → 1994 **FMD0111** RX
MITO 525 125 2006 → 2007 **FMD0111** RX
MITO EV 125 1995 → 2007 **FMD0111** RX
PASSING scooter 125 1994 → **FMD0006** R
PLANET (N1/EBE) 125 1997 → 2007 **FMD0111** RX
RAPTOR 125 2004 → 2006 **FMD0111** RX
SUPERCITY 125 1992 → **FMD0111** RX
CANYON 500 1999 → **FMD0089** R
CANYON (5G/H455) 600 1995 → 1999 **FMD0089** R
RIVER 600 1995 → **FMD0111** RX
RAPTOR 650 2001 → 2007 **FMD0132 (x2)** RX
ELEFANT 750 1994 → 1995 **FMD0093** R **FMD0009** R
ELEFANT I.E. 900 1990 → 1992 **FMD0093** R **FMD0009** R
ELEFANT I.E. 900 1993 → 1996 **FMD0009** R
GRAN CANYON (M3/K325) 900 1999 → 2004 **FMD0093 (x2)** R **FMD0009** R
NAVIGATOR (M5/e3/0032) 1000 2000 → **FMD0093 (x2)** R
RAPTOR (M2/e3/0018) 1000 2000 → 2006 **FMD0132 (x2)** RX
V-RAPTOR 1000 2000 → 2006 **FMD0132 (x2)** RX
XTRA-RAPTOR 1000 2002 → 2004 **FMD0132 (x2)** RX**CCM**DS 644 2002 → 2006 **FMD0184** R
R30 644 2002 → 2006 **FMD0184** R**DUCATI**JUNIOR SS 350 1991 → 1992 **FMD0111** RX **FMD0023** R
M MONSTER (M3/e1/00025) 400 2001 → 2006 **FMD0111** RX **FMD0023** R
SS SUPERSPORT 400 1992 → 1997 **FMD0111** RX **FMD0023** R
SS SUPERSPORT JUNIOR 400 1992 → 1997 **FMD0111 (x2)** RX **FMD0023** R
M MONSTER (M/G802/0) 600 1994 → 1999 **FMD0111** RX **FMD0023** R
M MONSTER (M3/e1/00025) 600 2000 → 2002 **FMD0111** RX **FMD0023** R
SS SUPERSPORT (S/G801/0) 600 1994 → 1997 **FMD0111** RX **FMD0023** R
M MONSTER (M4/e3/0030) 620 2002 → 2004 **FMD0111 (x2)** RX **FMD0023** R
M MONSTER double disk 620 2005 → 2006 **FMD0023** R
M MONSTER single disk 620 2005 → 2006 **FMD0111** RX **FMD0023** R
MULTISTRADA double disk 620 2005 → 2006 **FMD0023** R
MULTISTRADA single disk 620 2005 → 2006 **FMD0111** RX **FMD0023** R
SPORT (V5/e3/0142) 620 2003 → 2004 **FMD0111 (x2)** RX **FMD0023** R
SS SUPERSPORT 620 2004 → **FMD0111 (x2)** RX **FMD0023** R
M MONSTER 695 2006 → **FMD0023** R
MONSTER 696 2008 → 2012 **FMD0111 (x2)** RX **FMD0023** R
MONSTER ABS 696 2010 → 2012 **FMD0111 (x2)** RX **FMD0023** R
748 BIPOSTO 748 1998 → 2002 **FMD0111 (x2)** RX **FMD0180** R
748 BIPOSTO (748/H199) 748 1995 → 1997 **FMD0111 (x2)** RX **FMD0180** R
748 R (H3/e1/00037) 748 2001 → 2002 **FMD0147 (x2)** RX **FMD0180** R
748 R (ZDM748S/EBE) 748 2000 → **FMD0111 (x2)** RX **FMD0180** R
748 S (ZDM748S/EBE) 748 1999 → 2002 **FMD0111 (x2)** RX **FMD0180** R
748 SP (ZDM748S/EBE) 748 1995 → 1997 **FMD0111 (x2)** RX **FMD0180** R
748 SPS (748/H199) 748 1998 → 1999 **FMD0111 (x2)** RX **FMD0180** R
749 748 2002 → 2006 **FMD0389** R
749 R (Rad.cal) (H5/e3/0153) 748 2003 → 2007 **FMD0389** R
749 S (H5/e3/0153) 748 2003 → 2006 **FMD0389** R
M MONSTER (M/G802) 750 2000 → 2001 **FMD0111 (x2)** RX **FMD0023** R
M MONSTER (M/G8020) 750 1996 → 1999 **FMD0111 (x2)** RX **FMD0023** R
SPORT (ZDM750S/EBE) 750 2000 → 2002 **FMD0111** RX **FMD0023** R
SS SUPERSPORT (S/G801/0) 750 1991 → 1999 **FMD0111** RX **FMD0023** R
SS SUPERSPORT (V2/e1/00026) 750 2000 → 2002 **FMD0111 (x2)** RX **FMD0023** R
HYPERMOTARD 796 800 2010 → 2012 **FMD0390** R
M MONSTER (M4/e3/0030) 800 2003 → 2004 **FMD0111 (x2)** RX **FMD0023** R
MONSTER 796 800 2011 → **FMD0390** R
MONSTER 796 ABS 800 2011 → 2012 **FMD0390** R



DISCS TYPE



DISCS TYPE

...DUCATI

S2R MONSTER	800	2005	→ 2006			FMD0390	R
SPORT (V5/e3/0142)	800	2003	→ 2004	FMD0111 (x2)	RX	FMD0023	R
SS SUPERSPORT (V5/e3/0142)	800	2003	→ 2004	FMD0111 (x2)	RX	FMD0023	R
848	850	2008	→ 2010			FMD0390	R
848 EVO	850	2011	→			FMD0390	R
STREETFIGHTER	850	2012	→			FMD0390	R
851 STRADA - SP	851	1990	→ 1991	FMD0111 (x2)	RX	FMD0023	R
888 DESMOQUATTRO	888	1993	→ 1994	FMD0111 (x2)	RX	FMD0023	R
888 SP	888	1990	→ 1993	FMD0111 (x2)	RX	FMD0023	R
M MONSTER (M/G802)	900	2000	→ 2001	FMD0111 (x2)	RX	FMD0023	R
M MONSTER (M/G802/0)	900	1993	→ 1999	FMD0111 (x2)	RX	FMD0023	R
M MONSTER i.e. (M2/e1/00051)	900	2002	→	FMD0111 (x2)	RX	FMD0023	R
PASO 906	900	1989	→ 1990			FMD0023	R
SL SUPERLIGHT	900	1992	→ 1996	FMD0111 (x2)	RX	FMD0023	R
SPORT	900	2002	→	FMD0111 (x2)	RX	FMD0023	R
SS SUPERSPORT	900	1991	→ 1997	FMD0111 (x2)	RX	FMD0023	R
SS SUPERSPORT (V1/E1.92/61.00004.00)	900	1998	→ 2002	FMD0111 (x2)	RX	FMD0023	R
PASO 907 I.E.	904	1990	→ 1991	FMD0121 (x2)	RX		
916 BIPOSTO (916/G846)	916	1994	→ 1998	FMD0111 (x2)	RX	FMD0180	R
916 SP	916	1994	→ 1996			FMD0180	R
916 SPS (916/G684)	916	1997	→ 1998	FMD0111 (x2)	RX	FMD0180	R
S4 MONSTER (M4/e3/0030)	916	2001	→ 2003	FMD0111 (x2)	RX	FMD0023	R
ST4 (S2/E1.92/61.00013.00)	916	1999	→ 2004	FMD0111 (x2)	RX	FMD0023	R
916 RACING	926	1994	→ 1997			FMD0180	R
ST2 (S1/H965)	944	1997	→ 2003	FMD0111 (x2)	RX	FMD0023	R
ST3	992	2004	→ 2006	FMD0111 (x2)	RX	FMD0023	R
996 BIPOSTO	996	1999	→ 2001	FMD0111 (x2)	RX	FMD0180	R
996 R (H2/e1/00012)	996	2001	→	FMD0147 (x2)	RX	FMD0180	R
996 S	996	2001	→	FMD0111 (x2)	RX	FMD0180	R
996 SPS (H2/E1.92/61.00012.00)	996	1999	→ 2000	FMD0147 (x2)	RX	FMD0180	R
S4R MONSTER	996	2003	→ 2006	FMD0111 (x2)	RX	FMD0390	R
ST4 S (S2/e1/00013)	996	2001	→ 2006	FMD0111 (x2)	RX	FMD0023	R
998 BIPOSTO	998	2002	→ 2003	FMD0111 (x2)	RX	FMD0180	R
998 S (four pads) (H2/e1/00012)	998	2002	→ 2003	FMD0352 (x2)	RX	FMD0180	R
998 S (two pads) (H2/e1/00012)	998	2002	→ 2003	FMD0111 (x2)	RX	FMD0180	R
999 BIPOSTO	998	2002	→ 2006			FMD0389	R
999 S (H4/e3/0147)	998	2002	→ 2007			FMD0389	R
S4R Testastretta MONSTER	998	2007	→			FMD0390	R
S4RS Testastretta MONSTER	998	2006	→ 2007			FMD0390	R
998 R (H2/e1/00012)	999	2002	→ 2003	FMD0147 (x2)	RX	FMD0180	R
999 R (H4/e3/0147)	999	2002	→ 2007			FMD0389	R
GT	1000	2006	→ 2007	FMD0111 (x2)	RX	FMD0023	R
M MONSTER (M4/e3/0030)	1000	2003	→ 2005	FMD0111 (x2)	RX	FMD0023	R
MONSTER S2R	1000	2006	→ 2007	FMD0111 (x2)	RX	FMD0390	R
MULTISTRADA DS (A1/e3/0167)	1000	2003	→ 2006			FMD0390	R
MULTISTRADA DS S	1000	2005	→ 2006			FMD0390	R
PAUL SMART LE	1000	2006	→ 2007	FMD0111 (x2)	RX	FMD0023	R
S2R MONSTER	1000	2006	→	FMD0111 (x2)	RX	FMD0390	R
SPORT	1000	2006	→ 2007	FMD0111 (x2)	RX	FMD0023	R
SPORT S	1000	2007	→	FMD0111 (x2)	RX	FMD0023	R
SS SUPERSPORT DS (V5/e3/0142)	1000	2003	→ 2006	FMD0111 (x2)	RX	FMD0023	R
ST3	1000	2004	→ 2006	FMD0111 (x2)	RX	FMD0023	R
ST3 S ABS	1000	2006	→ 2007	FMD0111 (x2)	RX	FMD0023	R
HYPERMOTARD	1100	2007	→ 2009			FMD0390	R
HYPERMOTARD EVO	1100	2010	→ 2011			FMD0390	R
HYPERMOTARD EVO	1100	2012	→			FMD0390	R
HYPERMOTARD EVO SP	1100	2010	→ 2011			FMD0390	R
HYPERMOTARD EVO SP	1100	2012	→			FMD0390	R
HYPERMOTARD S	1100	2007	→ 2009			FMD0390	R
MONSTER 1100	1100	2009	→ 2010			FMD0390	R
MONSTER 1100 S	1100	2009	→ 2010			FMD0390	R
MONSTER EVO ABS	1100	2011	→ 2012			FMD0390	R
MULTISTRADA DS	1100	2007	→			FMD0390	R
MULTISTRADA DS S	1100	2007	→			FMD0390	R

FANTIC MOTOR

BIG WHEELS	50	1991	→ 1994	FMD0001	R		
GRINTA scooter	50	1995	→ 2000	FMD0001	R		

GARELLI

BIG-WHEELS scooter	50	1991	→ 1994	FMD0001	R		
BIP-RACING scooter	50	1994	→	FMD0001	R		
GRINTA scooter	50	1995	→	FMD0001	R		
PONY SR scooter	50	1992	→ 1995	FMD0001	R		

10004



DISCS TYPE



DISCS TYPE

...GARELLI

QUEENIE scooter 50 1995 → FMD0001 R

GAS GAS

EC	125	2007 →			FMD0184	R
EC- MC	125	1996 → 1999			FMD0184	R
EC- MC	125	2000 → 2006			FMD0184	R
EC- MC	125	2007 →			FMD0184	R
HOBBY	200	2007 →			FMD0184	R
EC	250	2007 →			FMD0184	R
EC- MC	250	1996 → 1999			FMD0184	R
EC- MC	250	2000 → 2006			FMD0184	R
EC- MC	250	2007 →			FMD0184	R
EC	300	2007 →			FMD0184	R
EC- MC	300	1996 → 1999			FMD0184	R
EC- MC	300	2000 → 2006			FMD0184	R
EC- MC	300	2007 →			FMD0184	R
EC- MC FSE	400	2002 →			FMD0184	R
EC- MC PAMPERA	400	2006 → 2007			FMD0184	R
EC FSE	450	2004 → 2006			FMD0184	R
EC- MC	450	2007 →			FMD0184	R
EC- MC FSE	450	2003 →			FMD0184	R
FSR	450	2007 →			FMD0184	R

GILERA

DNA (Grimeca) (C27/e3/0040) scooter	50	2000 → 2002			FMD0022	R
DNA (Hengtong) scooter	50	2000 → 2005			FMD0022	R
EASY MOVING scooter	50	1996 →	FMD0001	R		
NRG scooter	50	1994 →	FMD0002	R		
RUNNER (C14/H704) scooter	50	1997 → 2000	FMD0007	R		
RUNNER DD- SP (C14/H704) scooter	50	1997 → 2004	FMD0007	R	FMD0210	R
STALKER DD (C13/H675) scooter	50	1997 →	FMD0002	R	FMD0210	R
STALKER DT scooter	50	1997 → 2005	FMD0002	R		
STORM scooter	50	1994 →	FMD0002	R		
GFR	125	1993 → 1994	FMD0111	RX		
RUNNER 125	125	1997 → 1999	FMD0007	R		
RUNNER 125 FX	125	1998 →	FMD0007	R		
RUNNER 125 SP	125	1999 →	FMD0007	R		
RUNNER 125 VX / VXR 4T	125	2001 →	FMD0007	R		
RUNNER FX (M07/H880) scooter	125	1997 → 1999	FMD0007	R		
RUNNER FX SP (Grimeca) (M07/H880) scooter	125	2002 → 2003	FMD0007	R		
RUNNER FX SP scooter	125	1999 → 2001	FMD0007	R		
RUNNER VX 4t (Grimeca) (M24/e3/0043) scooter	125	2001 → 2003	FMD0007	R	FMD0022	R
RUNNER VX 4t (Hengtong) (M27/e3/0043) scooter	125	2001 → 2005	FMD0007	R	FMD0022	R
RUNNER 180	180	1997 → 1998	FMD0007	R		
RUNNER 180 FXR	180	1998 →	FMD0007	R		
RUNNER 180 SP	180	1999 →	FMD0007	R		
RUNNER 180 VX / VXR 4T	180	2001 →	FMD0007	R		
RUNNER FXR 2t (Grimeca) (M08/H881) scooter	180	2000 →	FMD0007	R		
RUNNER FXR 2t (Hengtong) (M08/H881) scooter	180	2000 →	FMD0007	R		
RUNNER FXR 2t (M08/H881) scooter	180	1998 → 1999	FMD0007	R		
RUNNER FXR SP 2t (Grimeca) (M08/H881) scooter	180	1999 → 2002	FMD0007	R		
RUNNER FXR SP 2t (Hengtong) (M08/H881) scooter	180	2002 → 2003	FMD0007	R		
RUNNER VXR 4t (Grimeca) scooter	180	2001 →	FMD0007	R		
RUNNER VXR 4t (Hengtong) scooter	180	2001 →	FMD0007	R		
RUNNER 200 VX / VXR 4T	200	2002 →	FMD0007	R		
RUNNER VXR 4t (Grimeca) (M24/e3/0043) scooter	200	2002 → 2005	FMD0007	R		
RUNNER VXR 4t (Hengtong) (M24/e3/0043) scooter	200	2002 → 2005	FMD0007	R		
NEXUS 500	500	2003 →			FMD0054	R

HARLEY D.

XL 883 L SPORTSTER LOW	883	2007 → 2010	FMD0266	RPF/RP/RF/R		
XL 883 N IRON	883	2009 → 2011	FMD0266	RPF/RP/RF/R		
XL 883 R ROADSTER	883	2010 → 2011	FMD0266 (x2)	RPF/RP/RF/R		
XL 883 R SPORTSTER (XL1/e4/0028)	883	2000 → 2003	FMD0266 (x2)	RPF/RP/RF/R	FMD0267	RPF/RP/RF/R
XL 883 SPORTSTER CUSTOM	883	2004 → 2010	FMD0266	RPF/RP/RF/R	FMD0267	RPF/RP/RF/R
XLH 883	883	1970 → 1984	FMD0085	RPF/RP/RF/R	FMD0211	RPF/RP/RF/R
XLH 883 SPORTSTER (XL1/e4/0028)	883	2000 → 2003	FMD0266	RPF/RP/RF/R	FMD0267	RPF/RP/RF/R
XLH 883 SPORTSTER (XL2/C560/1)	883	1985 → 1986	FMD0085	RPF/RP/RF/R	FMD0211	RPF/RP/RF/R
XLH 883 SPORTSTER (XL2/C560/1)	883	1987 → 1999	FMD0085	RPF/RP/RF/R	FMD0211	RPF/RP/RF/R
XLH 883 SPORTSTER HUGGER (XL1/e4/0028)	883	2000 → 2003	FMD0266	RPF/RP/RF/R	FMD0267	RPF/RP/RF/R
XLR 883 CUSTOM 53	883	2001 →	FMD0266	RPF/RP/RF/R	FMD0267	RPF/RP/RF/R
XL 1000	1000	1978 →	FMD0085	RPF/RP/RF/R	FMD0211	RPF/RP/RF/R

FERODOMOTORCYCLE DISCS
Updated on 11th Oct 2013**10005**



DISC TYPE



DISC TYPE

...HARLEY D.

XLS 1000 ROADSTER	1000	1979	→ 1984	FMD0085 (x2)	RPF/RP/RF/R	FMD0211	RPF/RP/RF/R
V-ROD VRSCB	1130	2004	→ 2006	FMD0338 (x2)	R	FMD0339	RF
VRSCA V-ROD	1130	2002	→ 2005	FMD0338 (x2)	R	FMD0339	RF
VRSCA V-ROD	1130	2006	→ 2008	FMD0431 (x2)	R	FMD0432	R
XL 1200 C SPORTSTER CUSTOM (XL2/e4/2002/24/0208)	1200	2004	→ 2006	FMD0266	RPF/RP/RF/R		
XL 1200 L SPORTSTER LOW	1200	2007	→ 2011	FMD0266	RPF/RP/RF/R		
XL 1200 R SPORTSTER ROADSTER (XL2/e4/2002/24/0208)	1200	2004	→ 2006	FMD0266 (x2)	RPF/RP/RF/R		
XL 1200 SPORTSTER	1200	2004	→ 2006	FMD0266	RPF/RP/RF/R	FMD0267	RPF/RP/RF/R
XL 1200 SPORTSTER - FORTY EIGHT	1200	2010	→ 2011	FMD0266	RPF/RP/RF/R		
XL 1200 SPORTSTER CUSTOM	1200	2000	→ 2003	FMD0266 (x2)	RPF/RP/RF/R	FMD0267	RPF/RP/RF/R
XL 1200 SPORTSTER N NIGHTSTER	1200	2007	→ 2011	FMD0266	RPF/RP/RF/R		
XL 1200 SPORTSTER SPORT (XL1/e4/0028)	1200	2000	→ 2003	FMD0266 (x2)	RPF/RP/RF/R	FMD0267	RPF/RP/RF/R
XLH 1200 SPORT	1200	1996	→ 1999	FMD0085 (x2)	RPF/RP/RF/R	FMD0211	RPF/RP/RF/R
XLH 1200 SPORTSTER (XL2/C560/1)	1200	1990	→ 1999	FMD0085	RPF/RP/RF/R	FMD0211	RPF/RP/RF/R
XR	1200	2008	→ 2010	FMD0266 (x2)	RPF/RP/RF/R		
XR 1200 X	1200	2010	→ 2011	FMD0266 (x2)	RPF/RP/RF/R		
VRSCAW V-ROD	1250	2008	→ 2010	FMD0431 (x2)	R	FMD0432	R
VRSCDX NIGHT ROD SPECIAL	1250	2007	→ 2011	FMD0431 (x2)	R	FMD0432	R
VRSCF V-ROD MUSCLE	1250	2008	→ 2011	FMD0431 (x2)	R	FMD0432	R
FLH 1340 80	1340	1981	→ 1984	FMD0085	RPF/RP/RF/R	FMD0211	RPF/RP/RF/R
FLH 1340 81	1340	1987	→ 1999	FMD0085 (x2)	RPF/RP/RF/R	FMD0211	RPF/RP/RF/R
FLH 1340 82	1340	1987	→ 1999	FMD0085 (x2)	RPF/RP/RF/R	FMD0211	RPF/RP/RF/R
FLH 1340 83	1340	1989	→ 1999	FMD0085	RPF/RP/RF/R	FMD0211	RPF/RP/RF/R
FLSTC 1340 HERITAGE SOFTAIL CLASSIC	1340	1989	→ 1999	FMD0085	RPF/RP/RF/R	FMD0211	RPF/RP/RF/R
FLSTC 1340 HERITAGE SOFTAIL CLASSIC	1340	2000	→ 2002	FMD0266	RPF/RP/RF/R	FMD0267	RPF/RP/RF/R
FLSTC FAT BOY	1340	1989	→ 1999	FMD0085	RPF/RP/RF/R	FMD0211	RPF/RP/RF/R
FLSTC FAT BOY	1340	2000	→ 2002	FMD0266	RPF/RP/RF/R	FMD0267	RPF/RP/RF/R
FXDWG DYNA WIDE GLIDE	1340	1993	→ 1998	FMD0085	RPF/RP/RF/R	FMD0211	RPF/RP/RF/R
FXLR 1340 LOW RIDER CUSTOM	1340	1987	→ 1999	FMD0085	RPF/RP/RF/R	FMD0211	RPF/RP/RF/R
FXLR 1340 LOW RIDER CUSTOM	1340	2000	→	FMD0266	RPF/RP/RF/R	FMD0267	RPF/RP/RF/R
FXR 1340 SUPER GLIDE (FXR/C456/1) (-/C456/1)	1340	1984	→ 1999	FMD0085	RPF/RP/RF/R	FMD0211	RPF/RP/RF/R
FXRS 1340 LOW RIDER SPORT (FXR/C456/1)	1340	1987	→ 1999	FMD0085	RPF/RP/RF/R	FMD0211	RPF/RP/RF/R
FXRT 1340 SPORT GLIDE (-/C456/1)	1340	1987	→ 1999	FMD0085 (x2)	RPF/RP/RF/R	FMD0211	RPF/RP/RF/R
FXSTC 1340 SOFTAIL CUSTOM (FXSTC/D312/0)	1340	1989	→ 1999	FMD0085	RPF/RP/RF/R	FMD0211	RPF/RP/RF/R
FXSTS 1340 SPRINGER SOFTAIL	1340	2000	→ 2002	FMD0266	RPF/RP/RF/R	FMD0267	RPF/RP/RF/R
FXSTS 1340 SPRINGER SOFTAIL (-/D312/0)	1340	1989	→ 1999	FMD0085	RPF/RP/RF/R	FMD0211	RPF/RP/RF/R
FLHR/I ROAD KING	1450	1998	→ 1999	FMD0085 (x2)	RPF/RP/RF/R		
FLHR/I ROAD KING (FL1/e4/0030)	1450	2000	→ 2004	FMD0266 (x2)	RPF/RP/RF/R		
FLHRCI ROAD KING CLASSIC (FL1/e4/0030)	1450	2000	→ 2004	FMD0266 (x2)	RPF/RP/RF/R		
FLHT/I ELECTRA GLIDE STANDARD	1450	1998	→ 1999	FMD0085 (x2)	RPF/RP/RF/R	FMD0211	RPF/RP/RF/R
FLHT/I ELECTRA GLIDE STANDARD (FL1/e4/0030)	1450	2000	→ 2004	FMD0266 (x2)	RPF/RP/RF/R	FMD0267	RPF/RP/RF/R
FLHTCUI ELECTRA GLIDE ULTRA CLASSIC (FL1/e4/0030)	1450	2000	→ 2004	FMD0266 (x2)	RPF/RP/RF/R	FMD0267	RPF/RP/RF/R
FLSTC/I HERITAGE SOFTAIL CLASSIC (FS2/e4/0002)	1450	2000	→ 2006	FMD0391	RF		
FLSTF/I FAT BOY (FS2/e4/0002)	1450	2003	→ 2006	FMD0391	RF		
FLSTS/I HERITAGE SPRINGER (FS2/e4/0002)	1450	2000	→ 2003	FMD0266	RPF/RP/RF/R	FMD0267	RPF/RP/RF/R
FLTR/I ROAD GLIDE	1450	1998	→ 1999	FMD0085 (x2)	RPF/RP/RF/R	FMD0211	RPF/RP/RF/R
FLTR/I ROAD GLIDE CLASSIC (FL1/e4/0030)	1450	2000	→ 2004	FMD0266 (x2)	RPF/RP/RF/R	FMD0267	RPF/RP/RF/R
FXD DYNA SUPER GLIDE	1450	2006	→ 2007	FMD0431	R		
FXD DYNA SUPER GLIDE (FD1/e4/0029)	1450	2000	→ 2003	FMD0266	RPF/RP/RF/R	FMD0267	RPF/RP/RF/R
FXDB DYNA STREET BOB	1450	2006	→ 2007	FMD0431	R		
FXDC DYNA SUPER GLIDE CUSTOM	1450	2006	→ 2007	FMD0431	R		
FXDL DYNA LOW RIDER (FD1/e4/0029)	1450	2000	→ 2003	FMD0266 (x2)	RPF/RP/RF/R	FMD0267	RPF/RP/RF/R
FXDS DYNA SUPER GLIDE SPORT	1450	1998	→ 1999	FMD0085 (x2)	RPF/RP/RF/R	FMD0211	RPF/RP/RF/R
FXDS DYNA SUPER GLIDE SPORT	1450	2000	→	FMD0266 (x2)	RPF/RP/RF/R	FMD0267	RPF/RP/RF/R
FXDWG DYNA WIDE GLIDE	1450	1999	→	FMD0085	RPF/RP/RF/R	FMD0211	RPF/RP/RF/R
FXDWG DYNA WIDE GLIDE	1450	2006	→ 2007	FMD0431	R		
FXDWG DYNA WIDE GLIDE (FD1/e4/0029)	1450	2000	→ 2006	FMD0266	RPF/RP/RF/R	FMD0267	RPF/RP/RF/R
FXSTB/I NIGHT TRAIN (FS2/e4/0002)	1450	2000	→ 2006	FMD0266	RPF/RP/RF/R	FMD0267	RPF/RP/RF/R
FXSTD/I SOFTAIL DEUCE (FS2/e4/0002)	1450	2000	→ 2004	FMD0266	RPF/RP/RF/R	FMD0267	RPF/RP/RF/R
FXDX DYNA SUPER GLIDE T-SPORT	1500	2001	→	FMD0266 (x2)	RPF/RP/RF/R	FMD0267	RPF/RP/RF/R
FXST SOFTAIL STANDARD	1500	2001	→	FMD0266	RPF/RP/RF/R	FMD0267	RPF/RP/RF/R
FLHR/I ROAD KING	1584	2008	→ 2010	FMD0430 (x2)	R	FMD0433	R
FLHRC ROAD KING CLASSIC	1584	2007	→	FMD0266 (x2)	RPF/RP/RF/R	FMD0267	RPF/RP/RF/R
FLHRC ROAD KING CLASSIC	1584	2008	→ 2010	FMD0430 (x2)	R	FMD0433	R
FLHRC ROAD KING CLASSIC	1584	2008	→ 2011	FMD0430 (x2)	R	FMD0433	R
FLHT/I ELECTRA GLIDE STANDARD	1584	2007	→	FMD0266 (x2)	RPF/RP/RF/R	FMD0267	RPF/RP/RF/R
FLHT/I ELECTRA GLIDE STANDARD	1584	2008	→ 2010	FMD0430 (x2)	R	FMD0433	R
FLHTC ELECTRA GLIDE CLASSIC	1584	2008	→ 2011	FMD0430 (x2)	R	FMD0433	R
FLHTCU ELECTRA GLIDE ULTRA CLASSIC	1584	2007	→ 2008	FMD0266 (x2)	RPF/RP/RF/R	FMD0267	RPF/RP/RF/R
FLHTCU ELECTRA GLIDE ULTRA CLASSIC	1584	2009	→ 2010	FMD0430 (x2)	R	FMD0433	R
FLHX STREET GLIDE	1584	2008	→ 2011	FMD0430 (x2)	R	FMD0433	R
FLSTB FAT BOY SPECIAL	1584	2010	→ 2011	FMD0266	RPF/RP/RF/R	FMD0267	RPF/RP/RF/R
FLSTB SOFTAIL CROSS BONES	1584	2008	→ 2011	FMD0266	RPF/RP/RF/R	FMD0267	RPF/RP/RF/R
FLSTC HERITAGE SOFTAIL CLASSIC	1584	2007	→	FMD0266	RPF/RP/RF/R	FMD0267	RPF/RP/RF/R
FLSTC HERITAGE SOFTAIL CLASSIC	1584	2008	→ 2011	FMD0266	RPF/RP/RF/R	FMD0267	RPF/RP/RF/R
FLSTF FAT BOY	1584	2007	→	FMD0266	RPF/RP/RF/R	FMD0267	RPF/RP/RF/R



DISC TYPE



DISC TYPE

...HARLEY D.

FLSTF FAT BOY	1584	2008	→ 2011	FMD0266	RPF/RP/RF/R	FMD0267	RPF/RP/RF/R
FLSTN SOFTAIL DELUXE	1584	2005	→ 2006	FMD0266	RPF/RP/RF/R	FMD0267	RPF/RP/RF/R
FLSTN SOFTAIL DELUXE	1584	2007	→	FMD0266	RPF/RP/RF/R	FMD0267	RPF/RP/RF/R
FLSTN SOFTAIL DELUXE	1584	2008	→ 2011	FMD0266	RPF/RP/RF/R	FMD0267	RPF/RP/RF/R
FLSTSE CVO SOFTAIL CONVERTIBLE	1584	2010	→ 2011	FMD0266	RPF/RP/RF/R	FMD0267	RPF/RP/RF/R
FLTR/I ROAD GLIDE	1584	2008	→ 2009	FMD0430 (x2)	R	FMD0433	R
FXCW ROCKER	1584	2008	→ 2009	FMD0266	RPF/RP/RF/R	FMD0267	RPF/RP/RF/R
FXCWC ROCKER C	1584	2008	→ 2011	FMD0266	RPF/RP/RF/R	FMD0267	RPF/RP/RF/R
FXD DYNA STREET BOB	1584	2006	→ 2010	FMD0431	R	FMD0407	R
FXD DYNA SUPER GLIDE	1584	2006	→ 2010	FMD0431	R	FMD0267	RPF/RP/RF/R
FXDC DYNA SUPER GLIDE CUSTOM	1584	2006	→ 2010	FMD0431	R		
FXDC DYNA SUPER GLIDE CUSTOM	1584	2006	→ 2010	FMD0431	R		
FXDF FAT BOB	1584	2008	→ 2010	FMD0431	R		
FXDL DYNA LOW RIDER	1584	2006	→ 2010	FMD0431	R		
FXDWG DYNA WIDE GLIDE	1584	2006	→ 2010	FMD0431	R		
FXSTB NIGHT TRAIN	1584	2008	→ 2010	FMD0266	RPF/RP/RF/R	FMD0267	RPF/RP/RF/R
FXSTC SOFTAIL CUSTOM	1584	2008	→ 2010	FMD0266	RPF/RP/RF/R	FMD0267	RPF/RP/RF/R
FXSTSS CVO SOFTAIL SPRINGER	1584	2009	→	FMD0266 (x2)	RPF/RP/RF/R	FMD0267	RPF/RP/RF/R
FLHP ROAD KING POLICE	1690	2010	→ 2011	FMD0430 (x2)	R	FMD0433	R
FLHTK ELECTRA GLIDE ULTRA LIMITED	1690	2010	→ 2011	FMD0430 (x2)	R	FMD0433	R
FLHTP ELECTRA GLIDE POLICE	1690	2009	→ 2011	FMD0430 (x2)	R	FMD0433	R
FLHX STREET GLIDE	1690	2010	→ 2011	FMD0430 (x2)	R	FMD0433	R
FLTRU	1690	2011	→	FMD0430 (x2)	R	FMD0433	R
FLTRUSE SCREAM EAGLE ROAD GLIDE	1690	2011	→	FMD0430 (x2)	R	FMD0433	R
FLTRX ROAD GLIDE CUSTOM	1690	2010	→ 2011	FMD0430 (x2)	R	FMD0433	R
FLHTCUSE BLK ULTRA CLASSIC ELECTRA GLIDE	1800	2008	→ 2010	FMD0430 (x2)	R	FMD0433	R
FLHTCUSE CVO ULTRA CLASSIC ELECTRA GLIDE	1800	2009	→ 2011	FMD0430 (x2)	R	FMD0433	R
FLHXSE CVO STREET GLIDE	1800	2010	→ 2011	FMD0430 (x2)	R	FMD0433	R

HONDA

BALI SJ	50	1993	→ 1997	FMD0097	R		
CRE DERAPAGE (HM)	50	1999	→ 2002	FMD0404	R		
HSC 01 scooter	50	1993	→	FMD0006	R		
HSC ZR scooter	50	1992	→	FMD0006	R		
SKY 50	50	1997	→	FMD0414	R		
SKY VETRO 50	50	2000	→	FMD0414	R		
SR DIO scooter	50	1990	→	FMD0006	R		
SZX X 8RS	50	1998	→ 2004	FMD0435	R	FMD0436	R
SZX X 8RX	50	1998	→ 2004	FMD0435	R	FMD0436	R
YUPI	50	1990	→	FMD0097	R		
ZX DIO scooter	50	1992	→	FMD0006	R		
MTX R (HD09/E516/0)	80	1987	→	FMD0091	R		
BALI SJ	100	1996	→	FMD0097	R		
NEW LEAD	107	2008	→	FMD0093	R		
@ 125 NES	125	2000	→	FMD0057	R		
@ NES (JF07/e4/0082) scooter	125	2001	→	FMD0057	R		
CBR R	125	2004	→ 2007	FMD0010	R	FMD0090	R
CH SPACY	125	1998	→	FMD0097 (x2)	R		
CR E SUPERMOTARD (HM)	125	2002	→ 2003			FMD0197	R
CR E SUPERMOTARD (HM)	125	2004	→ 2007			FMD0197	R
CR R- CR E	125	1988	→	FMD0091	R		
CR R- CR E	125	1992	→ 1993	FMD0091	R		
CR R- CR E	125	1994	→	FMD0091	R		
CR R- CR E	125	2002	→ 2003			FMD0197	R
CR R- CR E	125	2004	→ 2007			FMD0197	R
DYLAN (JF10/e3/0122) scooter	125	2002	→	FMD0057	R		
PANTHEON FES (JF05/K094) scooter	125	1998	→ 2002	FMD0009	R		
PANTHEON FES (JF12/e3/0172) scooter	125	2003	→	FMD0008	R	FMD0009	R
PSi scooter	125	2006	→	FMD0057	R		
RS R GP	125	1991	→ 1996	FMD0112	RX		
RS R GP	125	1997	→ 2003	FMD0112	RX		
RS R GP	125	2004	→ 2005	FMD0112	RX		
SH (JF09/e3/0073) scooter	125	2001	→ 2004	FMD0057	R		
SH 125	125	2000	→	FMD0057	R		
SH 125 (rear disc version)	125	2009	→	FMD0425	R	FMD0426	R
SH i scooter	125	2005	→ 2006	FMD0057	R		
XLR R (JD16/)	125	1998	→	FMD0091	R		
XLV VARADERO (JC32/e9/0043)	125	2001	→			FMD0090	R
@ 150 NES	150	2000	→	FMD0057	R		
@ NES (KF03/e4/0083) scooter	150	2001	→	FMD0057	R		
CRF F	150	2003	→ 2008	FMD0015	R		
DYLAN scooter	150	2002	→	FMD0057	R		
PANTHEON FES (JF05/K094) scooter	150	1998	→ 2002	FMD0009	R		
PANTHEON FES (KF06/03/0171) scooter	150	2003	→	FMD0009	R	FMD0014	R
PSi scooter	150	2006	→	FMD0057	R		

HONDA



DISCS TYPE



DISCS TYPE

...HONDA

SH (KF04/e3/0074) scooter	150	2001 → 2004	FMD0057	R		
SH 150	150	2000 →	FMD0057	R		
SH 150 (rear disc version)	150	2009 →	FMD0425	R	FMD0426	R
SH i scooter	150	2005 → 2006	FMD0057	R		
CRF ENDURO (HM)	230	2004 → 2006	FMD0015	R		
CRF F (USA version)	230	2004 → 2006	FMD0015	R		
CRF TRAIL (HM)	230	2004 → 2006	FMD0015	R		
SL	230	1997 →	FMD0015	R		
CB (CB250T/A399/1)	250	1992 →	FMD0009	R		
CN scooter	250	1988 →	FMD0271	R		
CR E SUPERMOTARD (HM)	250	2002 → 2003			FMD0197	R
CR E SUPERMOTARD (HM)	250	2004 → 2007			FMD0197	R
CR R- CR E	250	1988 →	FMD0091	R		
CR R- CR E	250	1992 → 1993	FMD0091	R		
CR R- CR E	250	1994 →	FMD0091	R		
CR R- CR E	250	2002 → 2003			FMD0197	R
CR R- CR E	250	2004 → 2007			FMD0197	R
CRE- F - X (HM)	250	2007 →			FMD0197	R
CRF R- X	250	2004 → 2007			FMD0197	R
CRF R- X SUPERMOTARD (HM)	250	2004 → 2007			FMD0197	R
CRM R	250	1992 →	FMD0091	R	FMD0090	R
FORESIGHT FES (MF05/e3/0011) scooter	250	2001 →	FMD0008	R	FMD0014	R
FORZA scooter	250	2000 → 2004	FMD0008	R	FMD0014	R
FORZA scooter	250	2005 →	FMD0008	R	FMD0009	R
HORNET	250	1997 →	FMD0112	RX	FMD0014	R
JAZZ scooter	250	2001 → 2004	FMD0008	R	FMD0014	R
RS R GP	250	1990 → 1992	FMD0112 (x2)	RX		
RS R GP	250	1993 → 1997	FMD0112 (x2)	RX		
TRX EX SPORTRAX	250	2001 → 2007	FMD0270 (x2)	R		
TRX R	250	1988 → 1989	FMD0270 (x2)	R		
TRX X	250	1987 →			FMD0355	R
TRX X	250	1988 → 1992	FMD0270 (x2)	R	FMD0355	R
TSR	250	1999 →	FMD0112 (x2)	RX		
VTR (MC15/EBE)	250	1998 →			FMD0014	R
XELVIS V-25	250	1997 →	FMD0093	R	FMD0014	R
XL R	250	1988 → 1990	FMD0091	R		
XL R	250	1991 →	FMD0091	R		
XL R (MD11/D447)	250	1984 → 1987	FMD0091	R		
XL R BAJA	250	1988 → 1991	FMD0015	R		
XR R	250	1984 → 1987	FMD0091	R		
XR R	250	1988 → 1990	FMD0015	R		
XR R	250	1991 → 1993	FMD0015	R	FMD0090	R
XR R, S (ME06/EBE)	250	1994 →	FMD0015	R	FMD0090	R
SH i/ ABS scooter	300	2006 →	FMD0012	R	FMD0409	R
TRX EX	300	1993 → 2006	FMD0270 (x2)	R	FMD0355	R
TRX EX SPORTRAX	300	2001 →			FMD0355	R
CB S-G	350	1987 →	FMD0087 (x2)	R		
XL R (ND03/D714)	350	1984 → 1988	FMD0091	R		
XL X	350	1989 →	FMD0091	R		
XR R	350	1984 → 1985	FMD0091	R		
CB (CB 400 F) (NC27/-)	400	1989 → 1991			FMD0090	R
CB N (CB400T/A400)	400	1982 → 1985	FMD0112 (x2)	RX	FMD0014	R
CB N (CB400T/A400)	400	1986 → 1988	FMD0112	RX	FMD0014	R
CBR F-F2	400	1985 → 1987	FMD0112	RX		
NSR (NC19V/D837/0)	400	1985 → 1988	FMD0012 (x2)	R		
SILVER WING	400	2006 → 2008	FMD0012	R		
TRX EX	400	1999 → 2007	FMD0270 (x2)	R		
TRX EX FOURTRAX	400	1999 → 2002	FMD0270 (x2)	R		
TRX EX FOURTRAX	400	2001 →	FMD0270 (x2)	R		
VFR R	400	1986 →	FMD0012 (x2)	R		
VFR R (NC30/-)	400	1987 → 1988	FMD0010 (x2)	R		
VFR R (NC30/-)	400	1987 → 1990	FMD0112 (x2)	RX		
VFR R (NC30/-)	400	1991 →	FMD0112 (x2)	RX		
VFR Z	400	1986 → 1987	FMD0010 (x2)	R		
XR R	400	1995 → 2005	FMD0015	R	FMD0090	R
XR R	400	2006 → 2007			FMD0090	R
XR SUPERMOTARD	400	2000 → 2005			FMD0090	R
XR SUPERMOTARD	400	2006 → 2007			FMD0090	R
XR R	440	2006 → 2007			FMD0090	R
CB S	450	1985 → 1989	FMD0087 (x2)	R		
CRF R (PE05/EBE)	450	2002 → 2003			FMD0197	R
CRF R - X	450	2004 → 2007			FMD0197	R
CRF SUPERMOTARD (HM)	450	2002 → 2003			FMD0197	R
CRF- X SUPERMOTARD (HM)	450	2004 → 2007			FMD0197	R
TRX R	450	2004 → 2007	FMD0270 (x2)	R		
CB (PC26/G555)	500	1993 → 1996	FMD0093	R		



DISCS TYPE



DISCS TYPE

...HONDA

CB (PC32/H418)	500	1997	→ 2003	FMD0093	R	FMD0009	R
CBF	500	2004	→	FMD0093	R		
CR R- CR E	500	1988	→	FMD0091	R		
CR R- CR E	500	1992	→ 1993	FMD0091	R		
CR R- CR E	500	1994	→	FMD0091	R		
CX 500	500	1982	→ 1983	FMD0073	R		
VF F	500	1985	→ 1987	FMD0012 (x2)	R	FMD0012	R
VF F-F2	500	1983	→ 1984	FMD0012 (x2)	R	FMD0012	R
XBR S (PC15/D861/0)	500	1985	→ 1987	FMD0088	R		
XR R	500	1983	→ 1986	FMD0090	R		
CB F HORNET	600	1998	→ 1999			FMD0090	R
CB F HORNET (PC34/K016)	600	2000	→ 2004	FMD0137 (x2)	RX	FMD0090	R
CB F HORNET/ 599	600	2005	→ 2006	FMD0137 (x2)	RX	FMD0090	R
CBF- CBF N	600	2004	→ 2006	FMD0093 (x2)	R		
CBR F (PC19/E515)	600	1987	→ 1988	FMD0010 (x2)	R		
CBR F (PC19/E515)	600	1989	→ 1990	FMD0010 (x2)	R		
CBR F (PC25/F648)	600	1991	→ 1994	FMD0010 (x2)	R	FMD0090	R
CBR F (PC31/H002)	600	1995	→ 1998	FMD0112 (x2)	RX	FMD0090	R
CBR F (PC35/K294)	600	1999	→ 2000	FMD0113 (x2)	RX	FMD0090	R
CBR F SPORT	600	2001	→ 2002	FMD0134 (x2)	RX	FMD0090	R
CBR F3	600	2003	→	FMD0113 (x2)	RX	FMD0014	R
CBR F4 (PC35/K294)	600	2001	→ 2006	FMD0134 (x2)	RX	FMD0090	R
CBR RR	600	2005	→ 2006	FMD0140 (x2)	RX	FMD0090	R
CBR RR	600	2007	→	FMD0140 (x2)	RX	FMD0014	R
CBR RR (PC37/e4/0190)	600	2003	→ 2004	FMD0140 (x2)	RX	FMD0090	R
SILVER WING (PF01/e4/0114) scooter	600	2001	→	FMD0012	R		
SILVER WING ABS scooter	600	2003	→	FMD0010	R		
XL LM, RM (PD04/D890/0)	600	1985	→ 1988	FMD0032	R		
XL R (PD03/D065)	600	1983	→ 1987	FMD0015	R		
XLV TRANSALP (PD06/E512)	600	1987	→ 1990	FMD0088	R		
XLV TRANSALP (PD06/E512)	600	1991	→ 1993	FMD0088	R	FMD0009	R
XLV TRANSALP (PD06/E512)	600	1994	→ 1996	FMD0088	R	FMD0009	R
XLV TRANSALP (PD10/H6860)	600	1997	→ 1999	FMD0087 (x2)	R	FMD0009	R
XR R	600	1983	→ 1987	FMD0015	R		
XR R	600	1988	→ 1990	FMD0015	R		
XR R	600	1991	→ 1993	FMD0015	R	FMD0090	R
XR R	600	1994	→ 1999	FMD0015	R	FMD0090	R
NTV DEAUVILLE (RC47/e9/0073)	650	2001	→	FMD0093 (x2)	R	FMD0096	R
NTV DEAUVILLE (RC47/e9/0073)	650	2002	→ 2005	FMD0093 (x2)	R	FMD0096	R
NTV DEAUVILLE (RC47/K027)	650	1998	→ 2000	FMD0093 (x2)	R	FMD0096	R
NX DOMINATOR	650	1998	→	FMD0087	R		
NX DOMINATOR (RD02/E851)	650	1993	→ 1996	FMD0087	R		
NX DOMINATOR J-K (RD02/E851)	650	1988	→ 1992	FMD0087	R	FMD0014	R
SLR (RD09/H569)	650	1997	→	FMD0088	R		
SX VIGOR (RD09/H569)	650	1999	→	FMD0010	R		
XLV TRANSALP (RD10/e3/0017)	650	2000	→	FMD0087 (x2)	R	FMD0009	R
XR L	650	1993	→ 1999	FMD0087	R	FMD0014	R
XR R (RE01/EBE)	650	2000	→ 2007	FMD0015	R		
XR V AFRICA TWIN (RD03/E867)	650	1988	→ 1989	FMD0089	R	FMD0009	R
NTV DEAUVILLE	680	2006	→	FMD0093 (x2)	R	FMD0096	R
XL V TRANSALP	700	2008	→ 2011	FMD0087 (x2)	R		
XL V TRANSALP ABS	700	2008	→ 2011	FMD0087 (x2)	R		
CB F-F2-K	750	1981	→ 1986	FMD0093 (x2)	R		
CB N, F, SEVEN FIFTY (RC42/G035)	750	1992	→	FMD0093 (x2)	R	FMD0009	R
CB X F1-F2	750	1983	→ 1987	FMD0010 (x2)	R	FMD0096	R
VFR F	750	1994	→ 1997	FMD0112 (x2)	RX	FMD0220	R
VFR F (RC24/E159)	750	1988	→ 1989	FMD0093 (x2)	R	FMD0012	R
VFR F-FL-FM-FK	750	1990	→ 1993	FMD0093 (x2)	R	FMD0220	R
VFR FJ	750	1986	→ 1987	FMD0010 (x2)	R	FMD0012	R
VFR R (RC30/E840)	750	1988	→ 1991	FMD0123 (x2)	RX		
VT C2 SHADOW A.C.E. (RC44/H714)	750	1997	→	FMD0093	R		
VT SHADOW	750	2004	→	FMD0093	R		
XLV R (RD01/D141)	750	1984	→ 1985	FMD0010	R		
XR V AFRICA TWIN (RD04/F371)	750	1990	→ 1992	FMD0033 (x2)	R	FMD0059	R
XR V AFRICA TWIN (RD07/G317)	750	1993	→	FMD0033 (x2)	R	FMD0059	R
PACIFIC COAST	800	1989	→	FMD0096 (x2)	R		
VFR INTERCEPTOR (RC46/K011) (RC46/e1/0132)	800	1998	→ 2005	FMD0113 (x2)	RX	FMD0220	R
CB F HORNET/ 919	900	2002	→ 2006	FMD0134 (x2)	RX	FMD0009	R
CBR RR (SC28/G034)	900	1992	→ 1993	FMD0113 (x2)	RX	FMD0090	R
CBR RR (SC28/G034) (SC33/H294)	900	1994	→ 1997	FMD0112 (x2)	RX	FMD0090	R
CBR RR (SC33/H294)	900	1998	→ 1999	FMD0128 (x2)	RX	FMD0014	R
CBR RR (SC44/e13/0019)	929	2000	→ 2001	FMD0130 (x2)	RX	FMD0090	R
CBR RR (SC50/e13/0052)	954	2002	→ 2003	FMD0130 (x2)	RX	FMD0090	R
CB 1000 R	1000	2008	→ 2012	FMD0140 (x2)	RX		
CB 1000 R - ABS	1000	2009	→ 2012	FMD0140 (x2)	RX		
CB F (Big One) (SC30/G341)	1000	1993	→	FMD0123 (x2)	RX	FMD0096	R

HONDA



DISCS TYPE



DISCS TYPE

...HONDA

CBR F (SC21/E513)	1000	1987 → 1988	FMD0093 (x2)	R	FMD0096	R
CBR F (SC24/F143)	1000	1989 → 1992	FMD0093 (x2)	R	FMD0096	R
CBR F, FP (SC24/F143)	1000	1993 →	FMD0093 (x2)	R	FMD0012	R
CBR RR	1000	2006 → 2007	FMD0135 (x2)	RX	FMD0014	R
CBR RR	1000	2008 → 2009	FMD0411 (x2)	RX	FMD0014	R
CBR RR (SC57/e4/0269)	1000	2004 → 2005	FMD0140 (x2)	RX	FMD0014	R
VF F, FII (SC15/D413)	1000	1984 → 1987	FMD0010 (x2)	R		
VTR F FIRESTORM/ SUPER HAWK (SC36/H687)	1000	1997 →	FMD0112 (x2)	RX	FMD0090	R
VTR SP1 RC51 (SC45/e4/0061)	1000	2000 → 2001	FMD0135 (x2)	RX	FMD0090	R
VTR SP2 RC51 (SC45/e4/0061)	1000	2002 → 2004	FMD0135 (x2)	RX	FMD0090	R
XLV VARADERO (SD01/e4/0009) (SD02/e9/0059)	1000	1999 → 2002	FMD0113 (x2)	RX	FMD0059	R
XLV VARADERO (SD02/e9/0059)	1000	2003 → 2005	FMD0113 (x2)	RX		
CB X-11 (SC42/EBE)	1100	2000 → 2003	FMD0131 (x2)	RX	FMD0012	R
CBR XX SUPER BLACKBIRD (SC35/H541)	1100	1999 →	FMD0131 (x2)	RX		
GL GOLD WING (SC02/B648)	1100	1982 → 1983	FMD0098 (x2)	R	FMD0098	R
ST PAN EUROPEAN	1100	1990 → 1991	FMD0093 (x2)	R		
ST PAN EUROPEAN ABS-TCS-CBS (SC26/F440)	1100	1996 → 2001	FMD0093 (x2)	R	FMD0403	R
VT SHADOW ACE-AERO-C2-C3	1100	1995 → 1998			FMD0096	R
X ELEVEN	1100	2000 → 2003	FMD0131 (x2)	RX	FMD0012	R
CB	1284	2001 → 2002	FMD0131 (x2)	RX	FMD0096	R
CB	1284	2003 →	FMD0140 (x2)	RX		
CB SF (SC14/D342)	1284	1998 → 2000			FMD0096	R
CB X-4 (SC38/EBE)	1284	1997 →	FMD0128 (x2)	RX	FMD0096	R
GL 1500 C CUSTOM	1500	2000 →			FMD0403	R
GL 1500 GOLD WING	1500	1991 →			FMD0403	R
GL F6C VALKYRIA (SC34/H582)	1500	1997 →	FMD0113 (x2)	RX		
GL GOLD WING (SC22/E931)	1500	1988 → 1989	FMD0098 (x2)	R		
GLX SE	1500	1990 → 2000	FMD0098 (x2)	R		

HRD

GS 97	125	1997 →	FMD0157	R		
GS 97	250	1997 →	FMD0157	R	FMD0258	R

HUSABERG

FE (Husaberg FE/e5/0001)	400	2000 → 2003	FMD0017	RF	FMD0184	R
FE E (Husaberg FE/e5/0001)	400	2001 → 2003	FMD0017	RF	FMD0184	R
FS C	400	2001 → 2003	FMD0017	RF	FMD0184	R
FS E	400	2001 → 2003	FMD0017	RF	FMD0184	R
FS E- C	450	2003 → 2004	FMD0143	RX	FMD0184	R
FS E- C	450	2005 → 2006			FMD0184	R
FC E 470/6	470	2001 → 2002	FMD0017	RF		
FC 501/4 CR	501	1999 → 2003	FMD0017	RF	FMD0184	R
FE E (Husaberg FE/e5/0001)	501	1999 → 2004	FMD0017	RF	FMD0184	R
FE S (Husaberg FE/e5/0001)	501	1999 → 2004	FMD0017	RF	FMD0184	R
FC 550/4	550	2001 → 2005	FMD0017	RF	FMD0184	R
FE E	550	2004 → 2005	FMD0017	RF	FMD0184	R
FC 600/4 CR	600	1999 → 2003	FMD0017	RF	FMD0184	R
FE E (Husaberg FE/e5/0001)	600	1999 → 2002	FMD0017	RF	FMD0184	R
FE SUPERMOTARD	600	1999 → 2003	FMD0017	RF	FMD0184	R
FE E (Husaberg FE/e5/0001)	650	2001 → 2005	FMD0017	RF	FMD0184	R
FS E- C	650	2001 → 2004	FMD0017	RF	FMD0184	R
FS E- C	650	2005 → 2006			FMD0184	R
FX E	650	2001 → 2005	FMD0017	RF	FMD0184	R

HUSQVARNA

WRS (WRS/) scooter	50	1998 →	FMD0002	R		
NUDA	900	2012 →			FMD0407	R
NUDA R	900	2012 →			FMD0407	R

ITALJET

BAZOOKA 2 scooter	50	1992 → 1997	FMD0001	R		
PISTA 2 scooter	50	1992 →	FMD0001	R		
YANKEE scooter	50	1994 →	FMD0001	R		

KAWASAKI

KX	65	2000 → 2006	FMD0107	R	FMD0107	R
KX R2-T2-R6-76	80	1993 → 1996			FMD0251	R
KX R7	80	1997 → 1999			FMD0227	R
KX	85	2000 → 2007			FMD0227	R
KX	100	2005 → 2006			FMD0227	R



DISCS TYPE



DISCS TYPE

...KAWASAKI

EL	250	1990	→	FMD0104	R		
EX R NINJA	250	1986	→ 1987	FMD0104 (x2)	R		
KLX R	250	1993	→			FMD0340	R
KLX SE SR	250	1993	→			FMD0340	R
ZZR	250	1992	→	FMD0115	RX		
GPZ (KZ400J/B718)	400	1986	→ 1987			FMD0230	R
GPZ R	400	1989	→			FMD0230	R
KFX	400	2002	→ 2006	FMD0357 (x2)	R		
Z ELIMINATOR	400	1988	→ 1989	FMD0218 (x2)	R		
ZX	400	1988	→ 1989	FMD0101 (x2)	R	FMD0104	R
ZXR	400	1989	→ 1990	FMD0115 (x2)	RX		
ZXR L1-L5 (ZX400L/F669)	400	1991	→ 2002	FMD0114 (x2)	RX	FMD0233	R
EN	500	1990	→ 1993	FMD0020	R		
ER-5 (ER500A/B/H570)	500	1997	→ 2006	FMD0218	R		
GPZ S	500	1993	→	FMD0101 (x2)	R		
GPZ S (EX500A/E444)	500	1987	→ 1988	FMD0218	R		
GPZ S (EX500A/E444)	500	1989	→ 1992	FMD0101 (x2)	R		
KLE A1-A4 (LE500A/F670)	500	1991	→ 2006	FMD0105	R	FMD0234	R
ZR ZEPHYR	550	1993	→	FMD0115 (x2)	RX	FMD0233	R
KLR	570	1985	→ 1991	FMD0103	R		
GPZ R (ZX600A/D753)	600	1985	→ 1988	FMD0101 (x2)	R	FMD0230	R
KLR E (KL600A/B/D317/0)	600	1985	→ 1989	FMD0103	R		
KLR S	600	1990	→ 1992	FMD0103	R		
ZL	600	1986	→ 1994	FMD0218	R		
ZL B2 Eliminator (ZL600/G987)	600	1995	→	FMD0115	RX		
ZX C1-C10 NINJA R	600	1988	→ 1990	FMD0101 (x2)	R	FMD0230	R
ZX6R NINJA	600	2007	→	FMD0350 (x2)	RX	FMD0237	R
ZX6R NINJA (ZX600G/H967)	600	1998	→ 2002	FMD0115 (x2)	RX	FMD0237	R
ZX6R NINJA F1-F3 (Ninja ZX6R) (ZX600F/G937)	600	1995	→ 1997	FMD0115 (x2)	RX		
ZX6RR NINJA	600	2005	→ 2006	FMD0350 (x2)	RX	FMD0237	R
ZX6RR NINJA (Rad.cal) (ZX600K/e1/0174)	600	2003	→ 2004	FMD0343 (x2)	RX	FMD0237	R
ZZR (ZX600D/F382)	600	1990	→ 1992	FMD0115 (x2)	RX		
ZZR (ZX600D/F382)	600	1993	→	FMD0115 (x2)	RX	FMD0233	R
ZX6R 636 NINJA	636	2005	→ 2006	FMD0350 (x2)	RX	FMD0237	R
ZX6R 636 NINJA (Rad.cal) (ZX636B/e4/0180)	636	2003	→ 2004	FMD0343 (x2)	RX	FMD0237	R
ZX6R 636 NINJA (ZX600A1H/e1/0141)	636	2002	→	FMD0115 (x2)	RX	FMD0237	R
ER-6F/ NINJA 650R	650	2006	→ 2007	FMD0350 (x2)	RX	FMD0237	R
ER-6N	650	2006	→ 2007	FMD0350 (x2)	RX	FMD0237	R
KLR	650	1995	→			FMD0234	R
KLR A	650	1987	→ 1989			FMD0234	R
KLR B1-B3 Tengai (KL650B/E393)	650	1989	→ 1991			FMD0234	R
KLX R (KLX650C/G245)	650	1993	→ 1995			FMD0340	R
KLX S	650	1993	→			FMD0340	R
VERSYS	650	2007	→	FMD0350 (x2)	RX	FMD0237	R
GPX R (ZX750F/E396)	750	1986	→ 1987			FMD0233	R
GPZ R (ZX750G/D608)	750	1985	→ 1987	FMD0101 (x2)	R	FMD0230	R
GPZ TURBO	750	1983	→ 1985			FMD0104	R
GPZ UNITRAK	750	1983	→ 1984	FMD0101 (x2)	R	FMD0104	R
Z 750	750	2004	→ 2006	FMD0115 (x2)	RX	FMD0237	R
Z 750	750	2007	→	FMD0350 (x2)	RX		
Z 750 R	750	2011	→ 2012	FMD0350	RX		
Z 750 R - ABS	750	2011	→ 2012	FMD0350 (x2)	RX		
Z 750 S	750	2005	→ 2006	FMD0115 (x2)	RX	FMD0237	R
Z E1-E1L-TURBO	750	1984	→ 1986	FMD0218 (x2)	R	FMD0101	R
ZEPHYR	750	1991	→	FMD0115 (x2)	RX		
ZR 7 - S (ZR750F1/)	750	1999	→	FMD0115 (x2)	RX	FMD0233	R
ZX7R NINJA	750	1989	→ 1995	FMD0114 (x2)	RX	FMD0199	R
ZX7R NINJA P1,P2 (ZR750N/H202)	750	1996	→ 2002	FMD0116 (x2)	RX	FMD0199	R
ZX7RR NINJA N1 (ZX750N/H202)	750	1996	→ 2002	FMD0116 (x2)	RX	FMD0199	R
ZXR L	750	1993	→ 1995	FMD0116 (x2)	RX	FMD0199	R
ZXR R (ZX750H/F102)	750	1989	→ 1992	FMD0114 (x2)	RX	FMD0199	R
ZXR R (ZX750K/F671)	750	1993	→ 1995			FMD0199	R
GPZ NINJA	900	1984	→ 1986	FMD0218 (x2)	R	FMD0101	R
GPZ R	900	1999	→ 2003	FMD0115 (x2)	RX	FMD0230	R
GPZ R (ZX900A/D363)	900	1990	→ 1998	FMD0115 (x2)	RX	FMD0230	R
GPZ R (ZX900A/D363/0)	900	1984	→ 1989	FMD0218 (x2)	R	FMD0101	R
ZL ELIMINATOR	900	1985	→ 1987	FMD0218 (x2)	R	FMD0101	R
ZX9R NINJA (ZX900B/G588)	900	1994	→ 1995	FMD0116 (x2)	RX	FMD0199	R
ZX9R NINJA (ZX900B/G588)	900	1996	→ 1997	FMD0116 (x2)	RX	FMD0199	R
ZX9R NINJA (ZX900C/H884)	900	1998	→ 1999	FMD0224 (x2)	RX	FMD0237	R
ZX9R NINJA (ZX900C/H884)	900	2000	→ 2001	FMD0114 (x2)	RX	FMD0237	R
ZX9R NINJA (ZX900E/01/00054)	900	2002	→ 2003	FMD0116 (x2)	RX	FMD0237	R
GPX RX	1000	1986	→ 1989	FMD0218 (x2)	R	FMD0104	R
GTR (ZG1000/E098)	1000	1994	→	FMD0115 (x2)	RX	FMD0218	R
GTR (ZGT00A/E098)	1000	1986	→ 1993	FMD0101 (x2)	R	FMD0199	R
VERSYS	1000	2012	→	FMD0350 (x2)	RX		



DISCS TYPE



DISCS TYPE

...KAWASAKI

Z 1000	1000	2007 →	FMD0350 (x2)	RX		
Z 1000 (ZRT00A/e1/0172)	1000	2003 → 2006	FMD0115 (x2)	RX	FMD0237	R
Z J1/J2	1000	1981 → 1983			FMD0020	R
ZL (ZLT00A/E394)	1000	1986 → 1988	FMD0218 (x2)	R	FMD0101	R
ZX10 B2, B3 (ZXT00B/E795)	1000	1988 → 1991			FMD0230	R
ZX10R NINJA (Rad.cal)	1000	2006 → 2007	FMD0350 (x2)	RX	FMD0237	R
ZX10R NINJA (Rad.cal)	1000	2008 →	FMD0410 (x2)	RX	FMD0237	R
ZX10R NINJA (Rad.cal) (ZXT00C/e4/0246)	1000	2004 → 2005	FMD0350 (x2)	RX	FMD0237	R
GPZ (ZX 1100 E1-E2) (ZXT10E/G936)	1100	1995 →	FMD0115 (x2)	RX		
ZEPHYR	1100	1993 → 1995	FMD0114 (x2)	RX		
ZEPHYR (ZRT1100B/F989)	1100	1996 → 1998	FMD0114 (x2)	RX	FMD0199	R
ZRX (ZRT10C/H619)	1100	1999 → 2000	FMD0114 (x2)	RX		
ZX11 NINJA	1100	1989 → 1990			FMD0230	R
ZZR (ZX1100C/F381)	1100	1990 → 1992	FMD0114 (x2)	RX	FMD0230	R
ZZR (ZX1100D/G203)	1100	1993 → 1999	FMD0116 (x2)	RX	FMD0235	R
ZRX S- R	1200	2005 → 2006	FMD0114 (x2)	RX		
ZRX- S- R (ZRT20A/e4/0106)	1200	2001 → 2003	FMD0114 (x2)	RX		
ZRX-S-R	1200	2004 →	FMD0114 (x2)	RX		
ZX12R NINJA (Rad.cal)	1200	2004 → 2005	FMD0115 (x2)	RX	FMD0238	R
ZX12R NINJA (Rad.cal)	1200	2006 →	FMD0115 (x2)	RX	FMD0238	R
ZX12R NINJA (ZXT20A/e1/0065)	1200	2000 → 2003	FMD0116 (x2)	RX	FMD0238	R
ZZR (ZXT20C/01/0142)	1200	2002 →	FMD0116 (x2)	RX		
GTR	1400	2007 → 2011	FMD0410 (x2)	RX		
ZZR-ZX14R NINJA	1400	2006 → 2008	FMD0410 (x2)	RX		
VN MEAN STREAK (VNT50P/e1/0117)	1500	2002 → 2003	FMD0116 (x2)	RX		

KTM

KROSS scooter	50	1996 →	FMD0002	R		
SX	65	1998 → 2001	FMD0100	R	FMD0228	R
SX	65	2002 → 2003	FMD0100	R	FMD0228	R
SX	65	2004 → 2006	FMD0100	R	FMD0228	R
MX	80	2000 → 2002	FMD0100	R	FMD0228	R
SX	85	2003 → 2006	FMD0399	R	FMD0400	R
SX	105	2004 → 2007	FMD0399	R	FMD0400	R
ECX-SX	125	1998 → 1999	FMD0017	RF	FMD0184	R
EXC-SX	125	2000 → 2003	FMD0017	RF	FMD0184	R
EXC-SX	125	2004 → 2007	FMD0017	RF	FMD0184	R
GS	125	1989 → 1992	FMD0278	R	FMD0184	R
GS	125	1993 → 1994	FMD0017	RF	FMD0184	R
GS	125	1994 → 1997	FMD0017	RF	FMD0184	R
GS-MX	125	1988 →	FMD0278	R	FMD0184	R
MX	125	1989 → 1991	FMD0278	R	FMD0184	R
MX	125	1992 → 2000	FMD0017	RF	FMD0184	R
STING	125	1998 →	FMD0143	RX	FMD0184	R
SX	125	1993 → 2000	FMD0017	RF	FMD0184	R
SX	125	1994 → 1997	FMD0017	RF	FMD0184	R
EXC	200	1998 → 1999	FMD0017	RF	FMD0184	R
EXC	200	2003 → 2007	FMD0017	RF	FMD0184	R
EXC (KTM-2T-EXC/e1/00060)	200	2000 → 2002	FMD0017	RF	FMD0184	R
SX (KTM-2T-EXC/e1/00060)	200	2003 → 2007	FMD0017	RF	FMD0184	R
EXC 2t-4t	250	2003 → 2000	FMD0017	RF	FMD0184	R
EXC 2t-4t	250	2004 → 2007	FMD0017	RF	FMD0184	R
EXC- SX (KTM-2T-EXC/e1/00060)	250	2000 → 2002	FMD0017	RF	FMD0184	R
EXC-SX	250	1998 → 1999	FMD0017	RF	FMD0184	R
GS	250	1988 → 1989	FMD0278	R	FMD0184	R
GS	250	1990 → 1992	FMD0278	R	FMD0184	R
GS	250	1993 → 2000	FMD0017	RF	FMD0184	R
GS	250	1994 → 1997	FMD0017	RF	FMD0184	R
GS-MX	250	1988 →	FMD0278	R	FMD0184	R
MX	250	1989 → 1991	FMD0278	R	FMD0184	R
MX	250	1992 → 2000	FMD0017	RF	FMD0184	R
SX	250	1993 → 2000	FMD0017	RF	FMD0184	R
SX (2t-4t) (VBKMXN/EBE)	250	2003 → 2006	FMD0017	RF	FMD0184	R
SX-F	250	2006 → 2007	FMD0017	RF	FMD0184	R
EXC	300	2004 → 2006	FMD0017	RF	FMD0184	R
EXC-SX	300	1997 → 1999	FMD0017	RF	FMD0184	R
EXC-SX	300	2000 → 2002	FMD0017	RF	FMD0184	R
GS	300	1991 → 1992	FMD0017	RF	FMD0184	R
GS	300	1993 → 1994	FMD0017	RF	FMD0184	R
GS	300	1995 → 2000	FMD0017	RF	FMD0184	R
MX	300	1991 → 2000	FMD0017	RF	FMD0184	R
MX	300	1992 → 2000	FMD0017	RF	FMD0184	R
SX	300	1993 → 2000	FMD0017	RF	FMD0184	R
GS 4T	350	1993 → 2000	FMD0017	RF	FMD0184	R
EXC-SX	380	1998 → 1999	FMD0017	RF	FMD0184	R



DISCS TYPE



DISCS TYPE

...KTM

EGS	400	1996 → 1999	FMD0017	RF		
EXC	400	1994 → 1999	FMD0017	RF	FMD0184	R
EXC 6M (KTM-4T-EXC/e1/00067)	400	2000 → 2005	FMD0017	RF	FMD0184	R
EXC	450	2003 → 2000	FMD0017	RF	FMD0184	R
EXC (KTM-4T-EXC/e1/00067)	450	2004 → 2007	FMD0017	RF	FMD0184	R
SMR	450	2004 →	FMD0143	RX	FMD0184	R
SMR	450	2005 → 2006			FMD0184	R
SX-F (VBKMXN/EBE)	450	2003 → 2006	FMD0017	RF	FMD0184	R
MX	500	1989 → 1991	FMD0278	R	FMD0184	R
MX	500	1992 → 2000	FMD0017	RF	FMD0184	R
SX	500	1993 → 1994	FMD0017	RF	FMD0184	R
SX	500	1995 → 2000	FMD0017	RF	FMD0184	R
ECX 6M (KTM-4T-EXC/e1/00067)	520	2000 → 2002	FMD0017	RF	FMD0184	R
SX 4M (VBKMXM/EBE)	520	2000 → 2002	FMD0017	RF	FMD0184	R
EXC (KTM-4T-EXC/e1/00067)	525	2003 → 2000	FMD0017	RF	FMD0184	R
EXC (KTM-4T-EXC/e1/00067)	525	2004 → 2007	FMD0017	RF	FMD0184	R
SMR	525	2004 →	FMD0143	RX	FMD0184	R
SMR	525	2005 →			FMD0184	R
SX	525	2004 → 2006	FMD0017	RF	FMD0184	R
SX (VBKMXM/EBE)	525	2003 → 2000	FMD0017	RF	FMD0184	R
XC DESERT RACING	525	2006 → 2007	FMD0017	RF	FMD0184	R
SXC (KTM-4T-EGS/e1/00007)	540	1999 → 2000	FMD0017	RF	FMD0184	R
SMR	560	2006 → 2007			FMD0184	R
GS 4T	600	1993 → 2000	FMD0017	RF	FMD0184	R
LC4 ENDURO	600	1991 → 1992	FMD0017	RF	FMD0184	R
MX	600	1990 → 1991	FMD0278	R	FMD0184	R
MX	600	1992 → 2000	FMD0017	RF	FMD0184	R
ADVENTURE	620	1997 →	FMD0279	RF	FMD0184	R
DUKE	620	1995 → 1998	FMD0143	RX	FMD0184	R
EGS-LC4	620	1996 → 2002	FMD0143	RX	FMD0184	R
LC4 SC SUPERCOMP	620	1998 → 1999	FMD0017	RF	FMD0184	R
LC4 SC SUPERCOMP	620	2000 → 2001	FMD0017	RF	FMD0184	R
LC4 SXC SUPERMOTO (KTM-4T-EGS/e1/00007)	620	2000 → 2001	FMD0017	RF	FMD0184	R
LC4 SC SUPERCOMP	625	2002 → 2000	FMD0017	RF	FMD0184	R
LC4 SC SUPERMOTO	625	2002 → 2004	FMD0143	RX	FMD0184	R
SMC	625	2005 → 2007	FMD0143	RX	FMD0184	R
SXC	625	2003 → 2007	FMD0017	RF	FMD0184	R
DUKE II (KTM DKII/e1/00048)	640	1999 → 2002	FMD0143	RX	FMD0184	R
DUKE II (KTM DKII/e1/00048)	640	2003 → 2006	FMD0111	RX	FMD0184	R
LC4 ADVENTURE	640	2001 → 2003	FMD0143	RX	FMD0184	R
LC4 ADVENTURE	640	2004 → 2007	FMD0279	RF	FMD0184	R
LC4 ADVENTURE (KTM-4T-EGS/e1/00007)	640	1998 → 2000	FMD0279	RF	FMD0184	R
LC4 ENDURO (KTM-4T-EGS/e1/00007)	640	1999 → 2007	FMD0143	RX	FMD0184	R
LC4 ENDURO (KTM-4T-EGS/e1/00007)	640	1999 → 2007	FMD0279	RF	FMD0184	R
LC4 SUPERMOTO	640	1998 → 1999	FMD0017	RF	FMD0184	R
LC4 SUPERMOTO	640	2000 → 2002	FMD0143	RX	FMD0184	R
LC4 SUPERMOTO	640	2003 →	FMD0143	RX	FMD0184	R
LC4 SUPERMOTO	640	2004 → 2007	FMD0143	RX	FMD0184	R
SMC (4T-SC/e12/0001)	660	2003 →	FMD0143	RX	FMD0184	R
SMC (4T-SC/e12/0001)	660	2004 → 2007	FMD0143	RX	FMD0184	R
SUPERMOTO (cerchi raggi)	690	2007 →	FMD0143	RX		
LC8 ADVENTURE (KTM LC8/e1/00180)	950	2002 → 2007	FMD0279	RF		
SUPER ENDURO R	950	2006 → 2007	FMD0279	RF		
LC8 ADVENTURE S	990	2006 → 2007	FMD0279	RF		
SUPERDUKE	990	2005 → 2007	FMD0352 (x2)	RX		

KYMCO

AGILITY scooter	50	2005 →	FMD0034	R		
CX CURIO SUPER scooter	50	1994 →	FMD0006	R		
DINK 50 4T	50	2007 →	FMD0423	R		
DINK scooter	50	1998 → 2001	FMD0034	R		
FILLY LX scooter	50	2001 →	FMD0006	R		
HEROISM (KCZ/H124) scooter	50	1995 → 1996	FMD0006	R		
K 12 scooter	50	1995 →	FMD0006	R		
PEOPLE 50	50	1999 →	FMD0049	R		
SNIPER DD scooter	50	1994 →	FMD0006	R		
SNIPER scooter	50	1993 →	FMD0006	R		
TOP BOY scooter	50	1998 →	FMD0034	R		
AGILITY R16	125	2008 → 2011			FMD0244	R
DINK 125 Euro 3	125	2006 → 2007	FMD0423	R		
DINK scooter	125	1996 → 2001	FMD0034	R	FMD0034	R
DOWNTOWN i	125	2009 → 2011			FMD0244	R
HEROISM scooter	125	1995 →	FMD0006	R		
PEOPLE 125	125	1999 →	FMD0049	R		
AGILITY R16	150	2008 → 2010			FMD0244	R



DISCS TYPE



DISCS TYPE

...KYMCO

DINK scooter	150	1997 → 2001	FMD0034	R	FMD0034	R
HEROISM scooter	150	1995 →	FMD0006	R		
PEOPLE 150	150	2000 →	FMD0049	R		
AGILITY R16	200	2009 → 2011			FMD0244	R
DINK 200 Euro 3	200	2006 → 2007	FMD0423	R		
DOWNTOWN i	200	2010 → 2011			FMD0244	R
DOWNTOWN i	300	2009 → 2011			FMD0244	R
DOWNTOWN i ABS	300	2010 → 2011			FMD0244	R
SUPER DINK	300	2009 → 2011			FMD0244	R

LAVERDA

GHOST (ZLVSPA/EBE)	650	1996 → 1997	FMD0111 (x2)	RX	FMD0023	R
SPORT	650	1995 → 2001	FMD0111 (x2)	RX	FMD0023	R
S FORMULA (ZLVSTA/EBE)	750	1998 → 2001	FMD0111 (x2)	RX	FMD0023	R
STRIKE	750	1998 → 2001	FMD0111 (x2)	RX	FMD0023	R

MALAGUTI

CENTRO 50 SL	50	1993 →	FMD0039	R		
CENTRO SL (36/EBE) (ZJM42/EBE) scooter	50	1994 →	FMD0022	R		
F10 scooter	50	1992 → 1994	FMD0042	R		
F10 scooter	50	1995 → 2005	FMD0042	R		
F12 PHANTOM twin disk (62/e3/0071) scooter	50	1999 → 2005	FMD0048	R		
F15 FIREFOX L.C. (44/H817) scooter	50	1999 → 2005	FMD0048	R		
YESTERDAY (45/H969) scooter	50	1997 → 2001	FMD0042	R		
F12 PHANTOM twin disk scooter	100	1999 → 2001	FMD0048	R		

MBK

BOOSTER R scooter	50	1993 → 1995	FMD0001	R		
BOOSTER SPIRIT scooter	50	1996 → 1998	FMD0001	R		
CW 50 BOOSTER SPIRIT	50	1999 →	FMD0045	R		
CW 50 L BOOSTER	50	2001 →	FMD0045	R		
CW 50 RS BOOSTER NG	50	1995 → 1998	FMD0045	R		
CW 50 RS BOOSTER NG	50	1999 → 2003	FMD0097	R		
CW 50 RSP BOOSTER ROCKET	50	1997 → 1998	FMD0045	R		
CW 50 RSX TRACK	50	1996 → 1998	FMD0045	R		
EVOLIS scooter	50	1992 → 1994	FMD0001	R		
EW 50 STUNT	50	2000 → 2002	FMD0097	R		
FIZZ scooter	50	1994 →	FMD0001	R		
FORTE scooter	50	1994 →	FMD0001	R		
OVETTO (5AD/H744) scooter	50	1997 →	FMD0002	R		
TARGET scooter	50	1992 → 1994	FMD0001	R		
YQ 50 NITRO	50	1997 → 2003	FMD0097	R	FMD0097	R
EVOLIS scooter	80	1994 →	FMD0001	R		
OVETTO YN (SB04/e9/0016) scooter	100	2000 →	FMD0002	R		
YQ 100 NITRO	100	2000 → 2002	FMD0097	R		
SKYLINER (SE06/e9/0046) scooter	125	2001 →	FMD0110	R		
SKYLINER scooter	125	1998 → 2000	FMD0110	R		
SKYLINER scooter	150	1998 → 2001	FMD0110	R		
SKYLINER scooter	150	2002 →	FMD0110	R		
SKYLINER scooter	180	2003 →	FMD0110	R		
YP 250 SKYLINER	250	2000 →			FMD0173	R

MOTO GUZZI

BREVA (LL/e11/0081)	750	2003 → 2007	FMD0111	RX		
NEVADA (LK/e3/0010)	750	2003 →	FMD0111	RX		
BREVA	850	2006 →			FMD0111	RX
GRISO	850	2006 →	FMD0111 (x2)	RX		
NORGE T-GTL	850	2007 →	FMD0111 (x2)	RX		
DAYTONA IE	1000	1991 → 1994	FMD0121 (x2)	RX		
DAYTONA IE	1000	1995 →	FMD0111 (x2)	RX		
V10 CENTAURO (KK/H601)	1000	1996 → 2001	FMD0111 (x2)	RX		
BREVA	1100	2005 → 2006	FMD0111 (x2)	RX		
CALIFORNIA EV	1100	1997 →	FMD0111 (x2)	RX		
CALIFORNIA EV SPECIAL (KD/e11/00033)	1100	1997 →	FMD0111 (x2)	RX		
CALIFORNIA JACKAL (KD/e11/00033)	1100	2001 →	FMD0111	RX		
GRISO	1100	2005 → 2007	FMD0111 (x2)	RX		
SPORT (KE/H652)	1100	1996 →	FMD0111 (x2)	RX		
V10 CENTAURO SPORT	1100	1999 →	FMD0111 (x2)	RX		
V11 LE MANS (KR/e3/0007)	1100	2000 → 2005	FMD0111 (x2)	RX		
V11 SPORT (KR/e3/0007)	1100	1997 → 2000	FMD0111 (x2)	RX		
BREVA	1200	2008 → 2009	FMD0111 (x2)	RX		



DISCS TYPE



DISCS TYPE

...MOTO GUZZI

BREVA ABS	1200	2008 → 2009	FMD0111	RX
GRISO 8 V	1200	2007 →	FMD0111 (x2)	RX
NORGE T-GTL	1200	2006 →	FMD0111 (x2)	RX
SPORT	1200	2006 → 2007	FMD0111 (x2)	RX
SPORT 8V	1200	2008 → 2010	FMD0111	RX
STELVIO	1200	2008 → 2009	FMD0111 (x2)	RX

MOTO MORINI

9,5	1200	2006 →	FMD0111 (x2)	RX
CORSARO	1200	2005 → 2006	FMD0111 (x2)	RX

MOTRON

COMPACT WF	50	1988 → 1992	FMD0042	R
------------	----	-------------	---------	---

MZ

1000 S	1000	2001 → 2002	FMD0111 (x2)	RX
1000 S	1000	2003 →	FMD0111 (x2)	RX

PEUGEOT

LOOXOR 50, 50 TSDI	50	2001 → 2003	FMD0415	R
METAL X 50	50	2002 →	FMD0414	R
SPEEDFIGHT 2 A/C (S1B/e2/0006) scooter	50	2001 →	FMD0025	R
SPEEDFIGHT 2 L/C DD (S1B/e2/0006) scooter	50	2001 →		FMD0025 R
SPEEDFIGHT LC (Brembo) (S1BDE/H645) scooter	50	1996 →	FMD0025	R
VIVACITY 50 VSX -XR, CATALITICO	50	2002 → 2004	FMD0414	R
X RACE	50	2002 → 2005		FMD0034 R
ZENITH LUXE scooter	50	1996 →	FMD0042	R
ELYSEO (A.J.P.) (G2A/K223) scooter	100	1998 → 2001	FMD0229	R
ELYSEO (G2A/e2/0005) scooter	100	2002 →	FMD0229	R
LOOXOR 100	100	2001 →	FMD0415	R
SPEEDFIGHT scooter	100	1997 →	FMD0025	R
ELYSEO (A.J.P.) (G2A/K223) scooter	125	1999 →	FMD0229	R
ELYSEO (G2A/e2/0005) scooter	125	2000 →	FMD0229	R
LOOXOR 125	125	2002 → 2003	FMD0415	R
ELYSEO (G2A/e2/0005) scooter	150	2000 →	FMD0229	R
LOOXOR 150	150	2002 → 2003	FMD0415	R
SV scooter	250	2002 →	FMD0008	R

PGO

BIG MAX scooter	50	1994 → 2002	FMD0001	R
MEGA FIFTY	50	1999 →	FMD0001	R
PMS	50	1999 →	FMD0097	R
PMX (PM50/) scooter	50	1997 →	FMD0001	R
T REX	50	1999 →	FMD0097	R
BIG MAX scooter	80	1995 →	FMD0001	R
PMS	110	1999 →	FMD0097	R
T REX	110	1999 →	FMD0097	R

PIAGGIO

FREE (FCS/G431) scooter	50	1997 →	FMD0022	R
LIBERTY 50	50	1997 →	FMD0043	R
LIBERTY 50 4T	50	2000 →	FMD0043	R
NRG (SAL/H123) scooter	50	1993 → 1995	FMD0002	R
NRG (SAL/H123/0) scooter	50	1996 →	FMD0002	R
NRG MC2 (C18/K068) scooter	50	1997 →	FMD0007	R
NTT scooter	50	1994 →	FMD0002	R
NTT scooter	50	1996 →	FMD0002	R
QUARTZ 50	50	1992 →	FMD0039	R
QUARTZ scooter	50	1991 → 1995	FMD0022	R
SFERA ET2 scooter	50	1997 →	FMD0022	R
SFERA RST (C01/127/0) scooter	50	1995 →	FMD0022	R
TYPHOON (TEC/G509) (TPH/e3/0054) scooter	50	1996 →	FMD0002	R
TYPHOON scooter	50	1993 → 1995	FMD0002	R
VESPA ET2 (C16/H767) (C38/e3/0125) scooter	50	1997 →	FMD0022	R
ZIP 4T scooter	50	2001 → 2005	FMD0210	R
ZIP CAT DT 2T (C25/e3/0020) scooter	50	2001 → 2005	FMD0210	R
ZIP FAST RIDER 2T (SSL/G357) scooter	50	1993 → 1995	FMD0001	R
ZIP FAST RIDER 2T (SSL/G357) scooter	50	1996 → 2000	FMD0001	R

PIAGGIO



DISCS TYPE



DISCS TYPE

...PIAGGIO

ZIP SP 2T (SSL/G357) scooter	50	1996 → 2005	FMD0022	R		
SKIPPER scooter	80	1994 → 1995	FMD0022	R		
TYPHOON scooter	80	1997 → 1998	FMD0002	R		
FREE 100	100	2001 →	FMD0043	R		
BEVERLY 125	125	2001 →	FMD0055	R	FMD0055	R
BEVERLY 125 RST	125	2005 →	FMD0055	R	FMD0055	R
HEXAGON LX (M05/H896) scooter	125	1998 →	FMD0022	R		
LIBERTY 125	125	1998 →	FMD0043	R		
MP3 125	125	2006 → 2007			FMD0054	R
SFERA 4T (M01/H148) scooter	125	1996 →	FMD0022	R		
SKIPPER (CSM/G500) scooter	125	1996 → 1997	FMD0022	R		
SKIPPER 125	125	1993 → 1997	FMD0039	R		
SKIPPER LX scooter	125	1998 →	FMD0007	R		
SKIPPER scooter	125	1993 → 1995	FMD0022	R		
SKIPPER ST 4T (grimeca caliper)	125	2000 → 2004	FMD0007	R		
SKIPPER ST 4T (heng tong caliper)	125	2000 → 2004	FMD0007	R		
SUPER EXAGON 125 GTX	125	2001 →	FMD0054	R	FMD0043	R
SUPER EXAGON GTX (Hengtong, 11") (M20/e3/0013) scooter	125	2000 →	FMD0022	R	FMD0022	R
SUPER HEXAGON GTX (Grimeca, 11") (M20/e3/0013) scooter	125	2000 →	FMD0022	R	FMD0022	R
TYPHOON (M02/H147) scooter	125	1995 → 2000	FMD0002	R		
VESPA 125 GRANTURISMO L	125	2003 →	FMD0043	R	FMD0043	R
VESPA ET4 (M04/H540) scooter	125	1996 → 1999	FMD0022	R		
VESPA ET4 (M19/e1/00002) scooter	125	2000 →	FMD0022	R		
VESPA PX scooter	125	1998 →	FMD0022	R		
X8 125	125	2004 →			FMD0054	R
X8 125	125	2005 →			FMD0054	R
X8 125 PREMIUM	125	2006 →			FMD0054	R
LIBERTY 150	150	2000 →	FMD0043	R		
SKIPPER 150	150	1993 → 1997	FMD0039	R		
SKIPPER LXT scooter	150	1998 → 2006	FMD0007	R		
SKIPPER ST 4T (grimeca caliper)	150	2000 → 2004	FMD0007	R		
SKIPPER ST 4T (heng tong caliper)	150	2000 → 2004	FMD0007	R		
VESPA ET4 scooter	150	1999 → 2004	FMD0022	R		
VESPA PX scooter	150	1998 → 2006	FMD0022	R		
HEXAGON LXT (M06/H897) scooter	180	1998 →	FMD0022	R		
SUPER EXAGON 180 GTX	180	2001 →	FMD0054	R	FMD0043	R
SUPER EXAGON GTX (Grimeca cal.) scooter	180	2000 →	FMD0022	R	FMD0022	R
SUPER HEXAGON GTX (Grimeca, 11"-12" wheels) scooter	180	2000 →	FMD0022	R	FMD0022	R
BEVERLY 200	200	2001 →	FMD0055	R	FMD0055	R
LIBERTY 200 4T	200	2006 →	FMD0043	R		
LIBERTY 200 4T SPORT	200	2006 →	FMD0043	R		
VESPA 200 GRANTURISMO L	200	2003 →	FMD0043	R	FMD0043	R
VESPA PE scooter	200	1998 →	FMD0022	R		
X8 200	200	2004 →			FMD0054	R
BEVERLY 250 LEADER	250	2004 →	FMD0055	R	FMD0055	R
BEVERLY 250 RST	250	2005 →	FMD0055	R	FMD0055	R
HEXAGON GT (M23/e11/00022) scooter	250	1998 →	FMD0022	R		
MP3 250	250	2006 → 2007			FMD0054	R
SUPER EXAGON GT-GTX scooter	250	2000 →	FMD0022	R	FMD0022	R
VESPA 250 GTS	250	2005 →	FMD0043	R	FMD0043	R
BEVERLY 400 EURO 3	400	2006 →			FMD0054	R
BEVERLY 500	500	2002 →	FMD0055 (x2)	R	FMD0054	R
X9 500	500	2001 →	FMD0055 (x2)	R	FMD0054	R
X9 500 EVOLUTION	500	2003 →			FMD0054	R

SUZUKI

RM	65	2003 → 2005	FMD0107	R	FMD0107	R
RM	80	1990 → 1995	FMD0151	R	FMD0251	R
RM	80	1996 → 2001	FMD0151	R	FMD0251	R
RM	85	2002 → 2004	FMD0151	R	FMD0251	R
RM	85	2005 → 2007			FMD0342	R
RG F, GAMMA	125	1992 →	FMD0118	RX	FMD0245	R
RM	125	2000 → 2005	FMD0028	RF/R	FMD0248	R
RM	125	2006 → 2007	FMD0028	RF/R	FMD0248	R
RM (J)	125	1988 →	FMD0028	RF/R		
RM (K, L, M, N, P, R, S)	125	1989 → 1995	FMD0028	RF/R		
RM (T, K)	125	1996 → 1999	FMD0028	RF/R		
TS R	125	1989 →	FMD0027	R		
TS R	200	1989 →	FMD0027	R		
AN BURGMAN (AN/K042) scooter	250	1998 → 2003	FMD0026	R	FMD0250	R
DR S	250	1990 →			FMD0242	R
GS F BANDIT	250	1990 →	FMD0119	RX		
LT Z	250	2005 → 2007	FMD0357 (x2)	R		
RGV GAMMA M (VJ22B/F611)	250	1991 →	FMD0118 (x2)	RX	FMD0245	R
RGV K (VJ21A/-)	250	1989 → 1990			FMD0245	R



CC



DISCS TYPE



DISCS TYPE

...SUZUKI

RM	250	2000 → 2005	FMD0028	RF/R	FMD0248	R
RM	250	2006 → 2007	FMD0028	RF/R	FMD0248	R
RM K, L, M, N, P, R, S	250	1989 → 1995	FMD0028	RF/R		
RM T-K (RJ14A/EBE)	250	1996 → 1999	FMD0028	RF/R		
RMX S	250	1992 → 1998	FMD0028	RF/R		
DR S-R	350	1989 → 1995			FMD0242	R
DR S-R	350	1996 → 1999			FMD0242	R
AN 400 BURGMAN	400	2007 → 2008			FMD0421 (x)	R
AN BURGMAN (AU/K296) scooter	400	1999 → 2000	FMD0026	R	FMD0250	R
AN BURGMAN (WVAU/e4/0099) scooter	400	2001 → 2002	FMD0026	R	FMD0250	R
DRZ E	400	2000 → 2006	FMD0028	RF/R		
DRZ S	400	2000 → 2006	FMD0028	RF/R		
DRZ SM	400	2005 → 2007			FMD0248	R
GS F	400	1989 →	FMD0119	RX	FMD0246	R
GSF BANDIT	400	1993 →	FMD0119 (x2)	RX	FMD0246	R
GSF BANDIT	400	1994 →	FMD0119 (x2)	RX	FMD0246	R
GSF BANDIT (GK75B/F610)	400	1991 → 1992	FMD0119	RX	FMD0246	R
LT Z QUADSPORT	400	2002 → 2007	FMD0357 (x2)	R		
GS E	500	1989 → 1994	FMD0119	RX	FMD0246	R
GS E	500	1995 →	FMD0119	RX	FMD0246	R
GS F	500	2004 →			FMD0246	R
LT R QUADRACER	500	1987 → 1990	FMD0357 (x2)	R		
DR RK DJEBEL (SN41A/D786)	600	1989 →	FMD0027	R	FMD0187	R
DR S	600	1985 → 1986	FMD0027	R		
DR S DAKAR (SN41A/D786/0)	600	1985 → 1989	FMD0027	R		
GSF BANDIT (GN77B/H008)	600	1995 → 1999	FMD0120 (x2)	RX	FMD0244	R
GSF BANDIT (WVA8/e4/0060)	600	2000 → 2004	FMD0120 (x2)	RX	FMD0244	R
GSX F	600	1988 →			FMD0246	R
GSX F	600	1998 → 2003	FMD0120 (x2)	RX	FMD0244	R
GSX F	600	2004 →	FMD0349 (x2)	RX	FMD0244	R
GSX F-FM	600	1991 → 1992	FMD0120 (x2)	RX	FMD0246	R
GSX FJ-FK (GN72B/E775)	600	1989 → 1990	FMD0120 (x2)	RX	FMD0246	R
GSX R	600	2008 → 2012	FMD0412 (x2)	RX	FMD0249	R
GSX R (AD/H583)	600	1997 → 2000	FMD0125 (x2)	RX	FMD0249	R
GSX R (Rad.cal)	600	2006 → 2007	FMD0393 (x2)	RX	FMD0249	R
GSX R (Rad.cal) (WVB2/e4/0253)	600	2004 → 2005	FMD0241 (x2)	RX	FMD0249	R
GSX R (WVBG/e4/0100)	600	2001 → 2003	FMD0125 (x2)	RX	FMD0249	R
RF R (GN76B/G319)	600	1993 → 1997	FMD0120 (x2)	RX	FMD0244	R
DR DJEBEL	650	1990 →	FMD0148	R	FMD0187	R
DR R (SP44B/G002)	650	1992 → 1993			FMD0187	R
DR R/RS	650	1990 → 1991	FMD0148	R	FMD0187	R
DR RE	650	1994 → 1995			FMD0187	R
DR RL-RM-RSL	650	1991 → 1995			FMD0187	R
DR RSE	650	1991 → 1993			FMD0187	R
DR SE T-W (SP46B/H1690)	650	1996 →	FMD0149	RF		
GSF BANDIT	650	2005 → 2006	FMD0349 (x2)	RX	FMD0244	R
SV - SV S	650	2003 → 2006	FMD0349 (x2)	RX	FMD0249	R
SV - SV S (AV/K329)	650	1999 → 2002	FMD0120 (x2)	RX	FMD0244	R
DR BIG (SR41B/E777)	750	1988 → 1989	FMD0148	R	FMD0187	R
DR BIG S (SR41B/E777)	750	1987 → 1988	FMD0148	R		
GSX	750	1997 →	FMD0118 (x2)	RX	FMD0244	R
GSX F	750	1998 → 2003	FMD0120 (x2)	RX	FMD0244	R
GSX F	750	2004 → 2006	FMD0349 (x2)	RX	FMD0244	R
GSX F-FL SLINGSHOT	750	1989 → 1992	FMD0120 (x2)	RX	FMD0246	R
GSX R	750	1985 → 1988			FMD0249	R
GSX R	750	1989 → 1993	FMD0117 (x2)	RX	FMD0244	R
GSX R	750	2008 → 2012	FMD0412 (x2)	RX	FMD0249	R
GSX R (Rad.cal)	750	2006 → 2007	FMD0393 (x2)	RX	FMD0249	R
GSX R (Rad.cal) (WVB3/e4/0261)	750	2004 → 2005	FMD0241 (x2)	RX	FMD0249	R
GSX R LIMITED EDITION	750	1989 → 1990	FMD0117 (x2)	RX		
GSX R T (SRAD)	750	1996 → 1999	FMD0125 (x2)	RX	FMD0249	R
GSX R W	750	1994 → 1995	FMD0117 (x2)	RX	FMD0244	R
GSX R Y (WVBD/e4/0068)	750	2000 → 2003	FMD0125 (x2)	RX	FMD0249	R
DR S, BIG (SR42B/F346)	800	1989 → 1990	FMD0148	R	FMD0187	R
DR S, BIG (SR43B/F723)	800	1991 → 1995			FMD0187	R
VX	800	1994 →	FMD0150	RF	FMD0247	R
VX L-P (VS51B/F399)	800	1990 → 1993	FMD0150	RF	FMD0247	R
VZ MARAUDER (AF/H584)	800	1996 →	FMD0118	RX		
RF RR,RS,RS2,T,V (GT73B/G616)	900	1994 → 1997	FMD0119 (x2)	RX	FMD0244	R
GSX R (Rad.cal)	1000	2005 → 2006	FMD0393 (x2)	RX	FMD0249	R
GSX R (Rad.cal)	1000	2007 → 2008	FMD0393 (x2)	RX	FMD0249	R
GSX R (Rad.cal)	1000	2009 →	FMD0412 (x2)	RX	FMD0249	R
GSX R (WVBL/e4/0108)	1000	2001 → 2002	FMD0125 (x2)	RX	FMD0249	R
GSX R (WVBZ/e4/0193)	1000	2003 →	FMD0241 (x2)	RX	FMD0249	R
GSX R (WVBZ/e4/0193)	1000	2004 →	FMD0241 (x2)	RX	FMD0249	R
SV- SV S (WVBX/e4/0191)	1000	2003 →			FMD0249	R

FERODO

MOTORCYCLE DISCS
Updated on 11th Oct 2013

10017



DISCS TYPE



DISCS TYPE

...SUZUKI

TL R (AM/H977)	1000	1998	→	FMD0125 (x2)	RX	FMD0249	R
TL S (AG/H632)	1000	1997	→	FMD0125 (x2)	RX	FMD0249	R
GSX R G, H, J (GU74C/E117)	1100	1987	→ 1988			FMD0249	R
GSX R K-N (GV73C/F024)	1100	1989	→ 1992	FMD0117 (x2)	RX	FMD0244	R
GSX R WP,WR,WS,WT,WV (GU75C/G253)	1100	1993	→ 2000	FMD0117 (x2)	RX	FMD0244	R
GSF BANDIT	1200	1995	→ 2000	FMD0119 (x2)	RX	FMD0244	R
GSF BANDIT	1200	2003	→ 2005	FMD0119 (x2)	RX		
GSF BANDIT (WVA9/e4/0086)	1200	2001	→ 2002	FMD0119 (x2)	RX	FMD0244	R
GSX	1200	2002	→	FMD0119 (x2)	RX	FMD0244	R
GSX (A3/K426)	1200	1999	→ 2001	FMD0118 (x2)	RX	FMD0244	R
GSX R HAYABUSA (WVA1/E4.92/61.0012.00)	1300	1999	→ 2006	FMD0125 (x2)	RX	FMD0244	R
GSX (WVBN/e4/0116)	1400	2002	→	FMD0125 (x2)	RX		

SYM

EURO 125 MX	125	2002	→	FMD0416	R		
EURO 125 MX EURO2	125	2003	→ 2004	FMD0416	R		
HD 125 EURO 2	125	2003	→ 2004	FMD0417	R		
HD EVO 125	125	2005	→ 2006	FMD0417	R	FMD0419	R
JOY RIDE 125	125	2001	→ 2002	FMD0416	R		
JOY RIDE 125 EURO 3	125	2007	→	FMD0416	R	FMD0418	R
JOY RIDE 125 EURO2	125	2003	→ 2006	FMD0416	R	FMD0418	R
SHARK 125	125	1999	→ 2002	FMD0416	R		
SR scooter	125	1998	→	FMD0006	R		
VS 125	125	2006	→	FMD0416	R		
EURO MX 150	150	2002	→	FMD0416	R		
EURO MX 150 EURO 2	150	2003	→ 2004	FMD0416	R		
JOY RIDE 150	150	2001	→ 2002	FMD0416	R		
SHARK 150	150	2000	→ 2001	FMD0416	R		
VS 150	150	2007	→	FMD0416	R		
HD 200 EU 2	200	2003	→ 2004	FMD0417	R		
HD 200 EURO 3	200	2007	→	FMD0417	R		
HD EVO 200 EURO 2	200	2005	→ 2006	FMD0417	R	FMD0419	R
HD EVO 200 EURO 3	200	2007	→	FMD0417	R	FMD0419	R
JOY RIDE 200 EURO 2	200	2003	→ 2006	FMD0416	R	FMD0418	R
JOY MAX 250	250		→	FMD0420	R	FMD0419	R

TM

GS- MC	125	1990	→ 1992	FMD0029	R	FMD0182	R
MX - EN 125	125	2005	→			FMD0402	R
MX - EN 250 all models	250	2005	→			FMD0402	R
MX - EN 450 all models	450	2005	→			FMD0402	R
MX - EN 530 all models	530	2005	→			FMD0402	R

TRIUMPH

BABY SPEED	600	2001	→ 2002			FMD0014	R
DAYTONA	600	2003	→			FMD0014	R
SPEED FOUR	600	2003	→			FMD0014	R
TT	600	2000	→			FMD0014	R
T509 SPEED TRIPLE (T509/H682)	900	1997	→ 1998			FMD0014	R
TIGER (T400/G427)	900	1993	→ 1998	FMD0010 (x2)	R		
T595 DAYTONA (T595/H658)	950	1996	→ 1998			FMD0014	R
T955 DAYTONA (T595/H658)	955	1999	→ 2001			FMD0014	R
T955 DAYTONA (T595/H658)	955	2002	→	FMD0146 (x2)	RX	FMD0090	R
T955 SPEED TRIPLE (T509/H682)	955	1999	→ 2001			FMD0014	R
T955 SPEED TRIPLE (T509/H682)	955	2002	→ 2004	FMD0146 (x2)	RX	FMD0090	R
SPEED TRIPLE ST	1050	2005	→ 2006			FMD0090	R
T1050 SPRINT ST	1050	2005	→ 2006	FMD0146 (x2)	RX		

VILLA

AX scooter	50	1993	→	FMD0001	R		
GZ scooter	50	1993	→	FMD0001	R		

VOR

MX- EN	503	2000	→ 2002	FMD0182	R		
--------	-----	------	--------	---------	---	--	--

VOXAN

BLACK MAGIC	995	2006	→	FMD0111 (x2)	RX		
CAFE RACER	995	2000	→ 2006	FMD0111 (x2)	RX		



DISCS TYPE



DISCS TYPE

...VOXAN

ROADSTER

995 2001 → 2006

FMD0111 (x2) RX

YAMAHA

AEROX 50 LC	50	1997 →	FMD0097	R	FMD0097	R
AXIS scooter	50	1994 →	FMD0001	R		
BW'S scooter	50	1993 → 1995	FMD0001	R		
BW'S scooter	50	1996 → 1998	FMD0001	R		
CR Z (4FW/-) scooter	50	1992 → 1995	FMD0001	R		
JOG R	50	2002 → 2005	FMD0097	R		
JOG R	50	2006 → 2011	FMD0097	R		
JOG Z scooter	50	1991 →	FMD0001	R		
NEO'S	50	2007 → 2012	FMD0097	R		
SLIDER	50	1999 →	FMD0097	R	FMD0097	R
TZR R	50	1993 → 2002	FMD0030	R		
YM BREEZE (4RC/G929) scooter	50	1994 →	FMD0001	R		
YN NEO'S (5AD/H744) scooter	50	1997 →	FMD0002	R		
YZ A,B,D	80	1990 → 1992	FMD0227	R	FMD0227	R
YZ S,T,U,W	80	1986 → 1989	FMD0227	R	FMD0227	R
AEROX	100	2000 → 2002	FMD0097	R	FMD0097	R
NEO'S (SB04/e9/0016) scooter	100	2000 →	FMD0002	R		
DT R	125	1992 →	FMD0029	R	FMD0182	R
DTZ TENERE	125	1989 → 1994	FMD0029	R		
SR (10F/H725)	125	1997 → 2002	FMD0155	R		
TDR (Italian model)	125	1989 →	FMD0111	RX	FMD0182	R
TDR (Japanese model)	125	1989 → 2000	FMD0163	RF		
TDR (Japanese model)	125	1989 →	FMD0154	R		
TZ COMPETITION	125	1996 → 1997	FMD0121	RX		
TZR	125	1989 → 1992	FMD0111	RX		
VP 125 X-CITY	125	2008 → 2009	FMD0424	R		
WR	125	1989 →	FMD0029	R	FMD0182	R
WR	125	1990 → 1997			FMD0182	R
WR	125	1998 → 2000	FMD0157	R	FMD0258	R
WR	125	2001 →	FMD0028	RF/R	FMD0258	R
WR	125	2002 →	FMD0028	RF/R	FMD0263	R
WR	125	2003 → 2005	FMD0028	RF/R	FMD0263	R
X-MAX YP R	125	2006 →	FMD0437	R		
X-MAX YP R ABS	125	2011 →	FMD0437	R		
XV VIRAGO	125	1997 →	FMD0154	R		
XV VIRAGO (5AJ/H628)	125	1997 → 2000	FMD0163	RF		
XVS DRAG STAR	125	1999 → 2001	FMD0154	R		
XVS DRAG STAR (VE01/e13/0022)	125	1999 → 2000	FMD0163	RF		
XVS VIRAGO	125	1998 → 2000	FMD0163	RF		
XVS VIRAGO	125	1998 →	FMD0154	R		
YP MAJESTY (SE02/K129) scooter	125	1998 → 2001	FMD0110	R		
YP MAJESTY (SE06/e9/0046) scooter	125	2002 →	FMD0110	R		
YZ	125	2006 → 2007	FMD0028	RF/R	FMD0263	R
YZ (4PE/EBE)	125	1990 → 1997			FMD0182	R
YZ (4XM/EBE)	125	1998 → 2000	FMD0028	RF/R	FMD0258	R
YZ (4XM/EBE)	125	2001 →	FMD0028	RF/R	FMD0258	R
YZ (4XM/EBE)	125	2002 →	FMD0028	RF/R	FMD0263	R
YZ (CE10/EBE)	125	2003 → 2005	FMD0028	RF/R	FMD0263	R
YZ N, S, T	125	1985 → 1987	FMD0029	R		
YZ U	125	1988 →	FMD0029	R	FMD0182	R
YZ V, W	125	1989 →	FMD0029	R	FMD0182	R
YP MAJESTY (SG08/EBE) scooter	150	2001 →	FMD0110	R		
YP MAJESTY scooter	150	1998 → 2000	FMD0110	R		
YP MAJESTY (SG12/e9/0125) scooter	180	2003 → 2006	FMD0110	R		
WR	200	1992 →			FMD0182	R
YFS BLASTER	200	1988 → 2002			FMD0274	R
YFS R BLASTER	200	2003 → 2006	FMD0273 (x2)	R	FMD0274	R
FZX ZEAL	250	1991 →	FMD0111	RX		
R1-Z	250	1997 →	FMD0121 (x2)	RX		
SRV	250	1992 →	FMD0154	R		
SRV S -RENAISSA	250	1992 → 2000	FMD0163	RF		
TDR	250	1989 → 1992	FMD0111	RX		
TT R	250	1993 →			FMD0182	R
TZ GP	250	1996 → 1997	FMD0121 (x2)	RX		
TZR (2MA/E508)	250	1989 → 1992	FMD0111 (x2)	RX		
VP 250 X-CITY	250	2007 → 2008	FMD0424	R		
WR	250	2003 → 2005	FMD0028	RF/R	FMD0263	R
WR	250	2006 → 2007	FMD0028	RF/R	FMD0263	R
WR F	250	2003 → 2005	FMD0028	RF/R	FMD0263	R
WR F	250	2006 → 2007	FMD0028	RF/R	FMD0263	R
X-MAX YP R	250	2005 →	FMD0437	R		
X-MAX YP R ABS	250	2011 →	FMD0437	R		

YAMAHA



DISCS TYPE



DISCS TYPE

...YAMAHA

X-MAX YP R SPORT	250	2011 →	FMD0437	R		
XV VIRAGO	250	1995 → 2007	FMD0154	R		
XV VIRAGO (3LW/F052) (VG01/K127)	250	1995 → 2000	FMD0163	RF		
XVS DRAG STAR	250	2001 →	FMD0154	R		
XVS DRAG STAR (VG03/e13/0035)	250	2001 → 2000	FMD0163	RF		
YFM BEAR TRACKER	250	2001 → 2004	FMD0030 (x2)	R		
YFM RAPTOR	250	2008 → 2009	FMD0273 (x2)	R		
YP 250 MAJESTY	250	2001 →			FMD0173	R
YP G GRAND MAJESTY [japan]	250	2004 → 2005	FMD0437	R		
YP MAJESTY DX (SG02/H939) scooter	250	1998 → 1999			FMD0260	R
YZ	250	2006 → 2007	FMD0028	RF/R	FMD0263	R
YZ (CG/e1/00106)	250	2003 → 2006	FMD0028	RF/R	FMD0263	R
YZ A,B1,J1	250	1990 → 1997			FMD0182	R
YZ F	250	2006 →	FMD0028	RF/R	FMD0263	R
YZ F	250	2007 →	FMD0028	RF/R	FMD0263	R
YZ F (4t) F (CG/e1/00106)	250	2003 → 2005	FMD0028	RF/R	FMD0263	R
YZ F - WR F (4t)	250	2001 →	FMD0028	RF/R	FMD0258	R
YZ F - WR F (4t)	250	2002 →	FMD0028	RF/R	FMD0263	R
YZ N, S, T	250	1985 → 1987	FMD0029	R		
YZ U	250	1988 →	FMD0029	R	FMD0182	R
YZ V,W,WRW	250	1989 →	FMD0029	R	FMD0182	R
YZ - WR (4XL/EBE)	250	1998 → 2000	FMD0028	RF/R	FMD0258	R
YZ - WR (4XL/EBE)	250	2001 →	FMD0028	RF/R	FMD0258	R
YZ - WR (4XL/EBE)	250	2002 →	FMD0028	RF/R	FMD0263	R
RD LC	350	1985 →	FMD0155 (x2)	R	FMD0155	R
RD LC	350	1986 → 1993	FMD0155 (x2)	R	FMD0155	R
TT	350	1987 →	FMD0029	R		
YFM R RAPTOR	350	2004 → 2007	FMD0273 (x2)	R	FMD0360	R
YFM X WARRIOR	350	1987 → 1988	FMD0273 (x2)	R		
YFM X WARRIOR	350	1989 → 2003	FMD0273 (x2)	R		
YFZ BANSHEE A-M	350	1990 → 2006	FMD0273 (x2)	R	FMD0274	R
YFZ BANSHEE T-W	350	1987 → 1989	FMD0273 (x2)	R	FMD0274	R
YZ	360	1989 →	FMD0029 (x2)	R	FMD0182	R
YZ RALLY	360	1990 → 1993			FMD0182	R
SRX	400	1991 →	FMD0111	RX	FMD0023	R
WR F	400	1998 →			FMD0182	R
WR F	400	1999 → 2000			FMD0182	R
XJR-R (4HM/EBE)	400	1995 →	FMD0121 (x2)	RX	FMD0023	R
YP MAJESTY	400	2004 →	FMD0437	R	FMD0408	R
YP MAJESTY	400	2005 →	FMD0437 (x2)	R	FMD0408	R
YZ F - WR F (CH(02)/EBE)	400	1998 →	FMD0157	R	FMD0182	R
YZ F - WR F (CH(04)/EBE)	400	1999 → 2000	FMD0157	R	FMD0182	R
YZ F (CJ(04)/e1/0107)	426	2000 →	FMD0028	RF/R	FMD0258	R
YZ F - WR F (CJ(04)/e1/0107) (CJ/01/0107)	426	2001 →	FMD0028	RF/R	FMD0258	R
YZ F - WR F (CJ(04)/e1/0107) (CJ/01/0107)	426	2002 →	FMD0028	RF/R	FMD0263	R
WR F	450	2003 → 2006	FMD0028	RF/R	FMD0263	R
YFZ S	450	2004 → 2005	FMD0273 (x2)	R	FMD0360	R
YFZ S	450	2006 → 2007	FMD0273 (x2)	R		
YZ F	450	2006 →	FMD0028	RF/R	FMD0263	R
YZ F (CJ(03)/e1/0107)	450	2003 → 2005	FMD0028	RF/R	FMD0263	R
RD LC (47X/D467)	500	1984 → 1988	FMD0155 (x2)	R	FMD0257	R
WR ZD,ZE	500	1992 → 1993	FMD0029	R	FMD0182	R
XP 500 T MAX	500	2008 → 2009	FMD0422	RF		
XP 500 T MAX ABS	500	2008 → 2009	FMD0422	RF		
XP T-MAX	500	2004 → 2007	FMD0437 (x2)	R	FMD0155	R
XP T-MAX (SJ01/e13/0040) scooter	500	2001 → 2003	FMD0163	RF	FMD0155	R
XP T-MAX	530	2012 →	FMD0437 (x2)	R		
XP T-MAX ABS	530	2012 →	FMD0437 (x2)	R		
XV S VIRAGO (3BR/E743)	535	1996 →	FMD0275	RPF		
FZ6 S2	600	2007 →	FMD0139 (x2)	RX		
FZ6 - FAZER (RJ07/e13/0072)	600	2004 → 2007	FMD0139 (x2)	RX	FMD0405	R
FZR (3RG,3RH/F152/153)	600	1989 →	FMD0121 (x2)	RX	FMD0023	R
FZR R (3HE/F103)	600	1990 → 1991	FMD0121 (x2)	RX	FMD0023	R
FZR R (4JH/4MH/G653/663)	600	1992 → 1995	FMD0121 (x2)	RX	FMD0023	R
FZS FAZER (RJ02/H988)	600	1998 → 2003	FMD0121 (x2)	RX	FMD0023	R
TT	600	1989 →	FMD0029	R		
TT	600	1990 → 1992	FMD0029	R		
TT E,S (4LW/-)	600	1993 → 1995	FMD0159	R	FMD0182	R
TT R (DJ01/H895)	600	1998 →	FMD0159	R	FMD0182	R
XJ (51J/D399)	600	1983 → 1991	FMD0155 (x2)	R	FMD0155	R
XJ DIVERSION S-N (4BRA,4BRB/F944/945)	600	1991 → 1997	FMD0160	R	FMD0023	R
XJ DIVERSION S-N (RJ01/H810)	600	1998 →	FMD0126 (x2)	RX	FMD0023	R
XJ6	600	2009 → 2011	FMD0139 (x2)	RX		
XJ6 DIVERSION	600	2009 → 2011	FMD0139 (x2)	RX		
XT 4 VALVES	600	1988 → 1989	FMD0031	R	FMD0256	R
XT 4 VALVES-Z	600	1986 → 1987	FMD0031	R		



DISCS TYPE



DISCS TYPE

...YAMAHA

XT E	600	1990 → 1994	FMD0031	R	FMD0256	R
XT E	600	1995 →	FMD0175	R	FMD0256	R
XT Z TENERE (1VJ/E124)	600	1986 →	FMD0031	R		
XT Z TENERE (3AJ/E807)	600	1987 → 1991	FMD0031	R	FMD0256	R
XVS DRAG STAR	600	1997 →	FMD0275	RPF		
YZF R THUNDERCAT (4TV/H441)	600	1996 → 2007	FMD0126 (x2)	RX	FMD0023	R
YZF R6	600	2005 → 2013	FMD0394 (x2)	RX	FMD0265	R
YZF R6 (RJ03/K265)	600	1999 → 2002	FMD0126 (x2)	RX		
YZF R6 (RJ05/e13/0060)	600	2003 → 2004	FMD0139 (x2)	RX	FMD0265	R
XVS DRAG STAR-CLASSIC	650	1997 →	FMD0275	RPF		
MT03	660	2006 →			FMD0405	R
SZR (4SU/H274)	660	1996 →	FMD0111	RX		
XTZ TENERE (3YF/F680)	660	1991 →	FMD0175	R	FMD0256	R
YFM RN RAPTOR	660	2001 → 2005	FMD0273 (x2)	R	FMD0274	R
YFM RN RAPTOR	700	2006 →	FMD0273 (x2)	R		
FZ GENESIS (2KK/E486)	750	1987 → 1988	FMD0155 (x2)	R	FMD0155	R
FZ GENESIS (2KK/E486)	750	1989 → 1992	FMD0121 (x2)	RX	FMD0155	R
FZR R OW 01 R (3PJ/F170)	750	1989 → 1992	FMD0111 (x2)	RX		
FZX FAZER (2JE/E487)	750	1986 →	FMD0155 (x2)	R	FMD0155	R
XTZ SUPERTENERE' (3WM/F343)	750	1989 →	FMD0030 (x2)	R	FMD0257	R
XV VIRAGO	750	1990 → 1993	FMD0155 (x2)	R		
XV VIRAGO (4PW/G848)	750	1994 → 2000	FMD0175	R		
YZF R, SP (4HN,4HT/G346/347)	750	1993 → 1996	FMD0352 (x2)	RX	FMD0023	R
YZF R7 OW02 (RM01/)	750	1999 →	FMD0129 (x2)	RX	FMD0023	R
YZF SP	750	1993 → 1997			FMD0023	R
TDM (3VD/F699)	850	1991 → 1995	FMD0121 (x2)	RX	FMD0023	R
TDM (4TX/H442)	850	1996 → 2001	FMD0121 (x2)	RX	FMD0023	R
TRX (Italy) (4UN/H283)	850	1995 → 2000	FMD0121 (x2)	RX	FMD0023	R
TDM (RN08/e13/0053)	900	2002 →	FMD0126 (x2)	RX	FMD0023	R
XJ S, DIVERSION (4KM/G844)	900	1994 →			FMD0155	R
FZ1	1000	2006 → 2011	FMD0281 (x2)	RX	FMD0405	R
FZ1 FAZER	1000	2006 →	FMD0281 (x2)	RX	FMD0405	R
FZ1 FAZER ABS	1000	2007 →	FMD0281 (x2)	RX	FMD0405	R
FZR EXUP (3LE/F128)	1000	1990 → 1991	FMD0111 (x2)	RX	FMD0155	R
FZR EXUP (3LE/F128)	1000	1992 → 1993	FMD0111 (x2)	RX	FMD0155	R
FZR EXUP (3LE/F128)	1000	1994 → 1995	FMD0352 (x2)	RX	FMD0155	R
FZR GENESIS (2LA/E558)	1000	1987 → 1989	FMD0111 (x2)	RX	FMD0155	R
FZS FAZER (RN06/e1/0103)	1000	2001 → 2005	FMD0126 (x2)	RX	FMD0155	R
GTS	1000	1993 → 1996			FMD0154	R
GTS (4BH/G254)	1000	1993 → 2000			FMD0163	RF
YZF R THUNDER ACE (4VD/H443)	1000	1996 →	FMD0126 (x2)	RX	FMD0023	R
YZF R1	1000	2004 → 2006	FMD0281 (x2)	RX	FMD0265	R
YZF R1	1000	2007 → 2011	FMD0394 (x2)	RX	FMD0265	R
YZF R1 (RN01/H917)	1000	1998 → 2001	FMD0126 (x2)	RX	FMD0023	R
YZF R1 (RN09/e13/0054)	1000	2002 → 2003	FMD0126 (x2)	RX		
BT BULLDOG (RP05/e1/00116)	1100	2002 →	FMD0126 (x2)	RX	FMD0155	R
FJ	1100	1984 → 1985			FMD0154	R
XV VIRAGO (3LP/F053)	1100	1986 → 1993	FMD0155 (x2)	R		
XV VIRAGO (3LP/F0530)	1100	1994 → 1998	FMD0155 (x2)	R		
XVS DRAG STAR	1100	1999 → 2006	FMD0275	RPF	FMD0154	R
XVS DRAG STAR (VP05/K331)	1100	1999 → 2006	FMD0275 (x2)	RPF	FMD0163	RF
FJ	1200	1986 → 1989			FMD0154	R
FJ	1200	1990 →	FMD0121 (x2)	RX	FMD0163	RF
FJ	1200	1990 → 1993	FMD0121	RX	FMD0154	R
FJ (1XJ/E119)	1200	1986 → 1987	FMD0163 (x2)	RF	FMD0163	RF
FJ (3CW/E745)	1200	1988 → 1989			FMD0163	RF
FJ ABS	1200	1991 → 1993			FMD0154	R
FJ ABS (3YA/F559)	1200	1991 → 1993			FMD0163	RF
V MAX	1200	1986 → 1992	FMD0163 (x2)	RF	FMD0163	RF
V MAX	1200	1986 → 1992			FMD0154	R
V MAX	1200	1993 → 2006	FMD0126 (x2)	RX	FMD0163	RF
V MAX	1200	1993 → 2006	FMD0275	RPF	FMD0154	R
XJR	1200	1995 → 1996	FMD0111 (x2)	RX	FMD0155	R
XJR	1200	1997 →	FMD0111 (x2)	RX	FMD0155	R
XVZ 12 T-TD VENTURE ROYALE	1200	1984 → 1987	FMD0126 (x2)	RX	FMD0126	RX
FJR	1300	2003 →	FMD0126	RX	FMD0154	R
FJR	1300	2004 → 2006	FMD0129 (x2)	RX	FMD0163	RF
FJR	1300	2004 → 2009			FMD0154	R
FJR	1300	2007 → 2000	FMD0129 (x2)	RX	FMD0163	RF
FJR (RP04/e13/0045)	1300	2003 → 2000	FMD0126 (x2)	RX	FMD0163	RF
FJR ABS (RP08/)	1300	2003 → 2005	FMD0129 (x2)	RX		
XJR	1300	1998 →	FMD0111 (x2)	RX	FMD0155	R
XJR (RP02/K266)	1300	1999 → 2001	FMD0126 (x2)	RX	FMD0155	R
XJR (RP06/e1/0134)	1300	2002 →	FMD0126 (x2)	RX	FMD0155	R
XVS MIDNIGHT STAR	1300	2007 → 2011	FMD0126 (x2)	RX		
XVZ 13 T-TD VENTURE ROYALE	1300	1988 → 1995	FMD0163 (x2)	RF		

YAMAHA



CC



DISCS TYPE



DISCS TYPE

...YAMAHA

XVZ ROYAL STAR	1300	1996 →	FMD0275 (x2)	RPF	FMD0160	R
XVZ13TF WILD STAR	1300	1999 →	FMD0275 (x2)	RPF	FMD0160	R
XVS WILD STAR-ROAD STAR	1600	1999 →	FMD0275 (x2)	RPF		
MT-01	1670	2005 → 2006	FMD0129 (x2)	RX	FMD0155	R
MT-01	1670	2007 →			FMD0155	R
XV PC ROAD STAR WARRIOR	1700	2002 → 2007	FMD0126 (x2)	RX		



FERODO™

MOTORCYCLE DISCS



Buyer's Guide

FERODO™

MOTORCYCLE DISCS



Front
Rear

Outside Dia (mm)

Inside Dia (mm)

Thickness (mm)

No. of Fixing hole

Fixing hole dia. (mm)

Fix. hole centreline diam (mm)

DISC TYPE

FMD0001

APRILIA	AMICO SPORT LX (GC/G799) scooter	50	1992	→	F	155	40.8	4	3	10.5	66	R
	SONIC (PB/K002) scooter	50	1998	→	F	155	40.8	4	3	10.5	66	R
	SONIC GP (PB/K002) scooter	50	1998	→	F	155	40.8	4	3	10.5	66	R
FANTIC MOTOR	BIG WHEELS	50	1991	→ 1994	F	155	40.8	4	3	10.5	66	R
	GRINTA scooter	50	1995	→ 2000	F	155	40.8	4	3	10.5	66	R
GARELLI	BIG-WHEELS scooter	50	1991	→ 1994	F	155	40.8	4	3	10.5	66	R
	BIP-RACING scooter	50	1994	→	F	155	40.8	4	3	10.5	66	R
	GRINTA scooter	50	1995	→	F	155	40.8	4	3	10.5	66	R
	PONY SR scooter	50	1992	→ 1995	F	155	40.8	4	3	10.5	66	R
	QUEENIE scooter	50	1995	→	F	155	40.8	4	3	10.5	66	R
GILERA	EASY MOVING scooter	50	1996	→	F	155	40.8	4	3	10.5	66	R
ITALJET	BAZOOKA 2 scooter	50	1992	→ 1997	F	155	40.8	4	3	10.5	66	R
	PISTA 2 scooter	50	1992	→	F	155	40.8	4	3	10.5	66	R
	YANKEE scooter	50	1994	→	F	155	40.8	4	3	10.5	66	R
MBK	BOOSTER R scooter	50	1993	→ 1995	F	155	40.8	4	3	10.5	66	R
	BOOSTER SPIRIT scooter	50	1996	→ 1998	F	155	40.8	4	3	10.5	66	R
	EVOLIS scooter	50	1992	→ 1994	F	155	40.8	4	3	10.5	66	R
	FIZZ scooter	50	1994	→	F	155	40.8	4	3	10.5	66	R
	FORTE scooter	50	1994	→	F	155	40.8	4	3	10.5	66	R
	TARGET scooter	50	1992	→ 1994	F	155	40.8	4	3	10.5	66	R
	EVOLIS scooter	80	1994	→	F	155	40.8	4	3	10.5	66	R
PGO	BIG MAX scooter	50	1994	→ 2002	F	155	40.8	4	3	10.5	66	R
	MEGA FIFTY	50	1999	→	F	155	40.8	4	3	10.5	66	R
	PMX (PM50/) scooter	50	1997	→	F	155	40.8	4	3	10.5	66	R
	BIG MAX scooter	80	1995	→	F	155	40.8	4	3	10.5	66	R
PIAGGIO	ZIP FAST RIDER 2T (SSL/G357) scooter	50	1993	→ 1995	F	155	40.8	4	3	10.5	66	R
	ZIP FAST RIDER 2T (SSL/G357) scooter	50	1996	→ 2000	F	155	40.8	4	3	10.5	66	R
VILLA	AX scooter	50	1993	→	F	155	40.8	4	3	10.5	66	R
	GZ scooter	50	1993	→	F	155	40.8	4	3	10.5	66	R
YAMAHA	AXIS scooter	50	1994	→	F	155	40.8	4	3	10.5	66	R
	BWS scooter	50	1993	→ 1995	F	155	40.8	4	3	10.5	66	R
	BWS scooter	50	1996	→ 1998	F	155	40.8	4	3	10.5	66	R
	CR Z (4FW/-) scooter	50	1992	→ 1995	F	155	40.8	4	3	10.5	66	R
	JOG Z scooter	50	1991	→	F	155	40.8	4	3	10.5	66	R
	YM BREEZE (4RC/G929) scooter	50	1994	→	F	155	40.8	4	3	10.5	66	R

FMD0002

APRILIA	AREA 51 SBK scooter	50	2000	→ 2002	R	190	58.2	4	3	8.5	79	R	
	AREA 51 scooter	50	1998	→ 2002	R	190	58.2	4	3	8.5	79	R	
	GULLIVER (LH02/H126) scooter	50	1996	→ 1998	F	190	58.2	4	3	8.5	79	R	
	HABANA (PK/K385) scooter	50	1998	→ 2002	F	190	58.2	4	3	8.5	79	R	
	RALLY AC (MD/H062) scooter	50	1995	→ 2000	F	190	58.2	4	3	8.5	79	R	
	RALLY LC (MD/H062) scooter	50	1997	→	F/R	190	58.2	4	3	8.5	79	R	
	SCARABEO DE-LUX scooter	50	1998	→	R	190	58.2	4	3	8.5	79	R	
	SCARABEO DITECH (SC,TG,TH/EBE) scooter	50	2001	→	R	190	58.2	4	3	8.5	79	R	
	SR DITECH (RL/e3/0012) scooter	50	2001	→ 2006	F/R	190	58.2	4	3	8.5	79	R	
	SR R FACTORY scooter	50	2005	→ 2006	F	190	58.2	4	3	8.5	79	R	
	SR scooter	50	1993	→ 2000	F	190	58.2	4	3	8.5	79	R	
	SR STEALTH LC (LY/H639) scooter	50	1996	→ 2000	F/R	190	58.2	4	3	8.5	79	R	
	SR STREET scooter	50	2005	→	F/R	190	58.2	4	3	8.5	79	R	
	LEONARDO	125	1996	→ 1998	R	190	58.2	4	3	8.5	79	R	
	LEONARDO ST	125	1999	→ 2004	R	190	58.2	4	3	8.5	79	R	
	SR (PX125/K4740) scooter	125	1999	→ 2003	F	190	58.2	4	3	8.5	79	R	
	LEONARDO	150	1997	→ 1998	R	190	58.2	4	3	8.5	79	R	
	LEONARDO ST	150	1999	→	R	190	58.2	4	3	8.5	79	R	
	SR (PX/K508) scooter	150	1999	→ 2003	F	190	58.2	4	3	8.5	79	R	
BETA	ARK (BS/K529) (BS4/e1/00114) scooter	50	1997	→	F	190	58.2	4	3	8.5	79	R	
	ARK LC (BS/K529)	50	1999	→	F/R	190	58.2	4	3	8.5	79	R	
	CHRONO 13 scooter	50	1994	→	F	190	58.2	4	3	8.5	79	R	
	TEMPO 13 scooter	50	1995	→ 1996	F	190	58.2	4	3	8.5	79	R	
GILERA	NRG scooter	50	1994	→	F	190	58.2	4	3	8.5	79	R	
	STALKER DD (C13/H675) scooter	50	1997	→	F	190	58.2	4	3	8.5	79	R	
	STALKER DT scooter	50	1997	→ 2005	F	190	58.2	4	3	8.5	79	R	
	STORM scooter	50	1994	→	F	190	58.2	4	3	8.5	79	R	
HUSQVARNA	WRS (WRS/) scooter	50	1998	→	F	190	58.2	4	3	8.5	79	R	
KTM	KROSS scooter	50	1996	→	F	190	58.2	4	3	8.5	79	R	
MBK	OVETTO (5AD/H744) scooter	50	1997	→	F	190	58.2	4	3	8.5	79	R	
	OVETTO YN (SB04/e9/0016) scooter	100	2000	→	F	190	58.2	4	3	8.5	79	R	
PIAGGIO	NRG (SAL/H123) scooter	50	1993	→ 1995	F	190	58.2	4	3	8.5	79	R	
	NRG (SAL/H123/0) scooter	50	1996	→	F	190	58.2	4	3	8.5	79	R	
	NTT scooter	50	1994	→	F	190	58.2	4	3	8.5	79	R	
	NTT scooter	50	1996	→	F	190	58.2	4	3	8.5	79	R	
	TYPHOON (TEC/G509) (TPH/e3/0054) scooter	50	1996	→	F	190	58.2	4	3	8.5	79	R	
	TYPHOON scooter	50	1993	→ 1995	F	190	58.2	4	3	8.5	79	R	
	TYPHOON scooter	80	1997	→ 1998	F	190	58.2	4	3	8.5	79	R	
	TYPHOON (M02/H147) scooter	125	1995	→ 2000	F	190	58.2	4	3	8.5	79	R	
YAMAHA	YN NEO'S (5AD/H744) scooter	50	1997	→	F	190	58.2	4	3	8.5	79	R	
	NEO'S (SB04/e9/0016) scooter	100	2000	→	F	190	58.2	4	3	8.5	79	R	
FMD0003	APRILIA	SCARABEO	100	2000	→	F	220	60	4	5	8	80	R
	SCARABEO 4t	100	2004	→	F	220	60	4	5	8	80	R	

11000



CC

Front
Rear

Outside Dia (mm)

Inside Dia (mm)

Thickness (mm)

No. of Fixing hole

Fixing hole dia. (mm)

Fit. hole central dia (mm)

DISC TYPE

Code	Brand	Model	CC	Year	Direction	Front	Outside Dia (mm)	Inside Dia (mm)	Thickness (mm)	No. of Fixing hole	Fixing hole dia. (mm)	Fit. hole central dia (mm)	DISC TYPE	
...FMD0003		LEONARDO	125	1996	→	1998	F	220	60	4	5	8	80	R
		LEONARDO ST	125	1999	→	2004	F	220	60	4	5	8	80	R
		SCARABEO	125	1999	→	2003	R	220	60	4	5	8	80	R
		SCARABEO GT	125	1999	→	2003	R	220	60	4	5	8	80	R
		SPORTCITY	125	2004	→	2007	R	220	60	4	5	8	80	R
		LEONARDO	150	1997	→	1998	F	220	60	4	5	8	80	R
		LEONARDO ST	150	1999	→		F	220	60	4	5	8	80	R
		SCARABEO	150	1999	→	2002	R	220	60	4	5	8	80	R
		SCARABEO GT	200	2001	→	2004	R	220	60	4	5	8	80	R
		SPORTCITY	200	2005	→	2007	R	220	60	4	5	8	80	R
		LEONARDO	250	1999	→	2004	F	220	60	4	5	8	80	R
		LEONARDO (Grimeca cal.)	250	1999	→	2004	F	220	60	4	5	8	80	R
		SPORTCITY	250	2006	→	2007	R	220	60	4	5	8	80	R
		LEONARDO (Grimeca cal.)	300	2005	→	2006	F	220	60	4	5	8	80	R
		LEONARDO ST	300	2005	→	2006	F	220	60	4	5	8	80	R
	BETA	EIKON	125	1999	→	2003	F	220	60	4	5	8	80	R
FMD0006	CAGIVA	CITY scooter	50	1992	→	1994	F	157.5	58.2	4	3	10.5	80	R
		PASSING scooter	125	1994	→		F	157.5	58.2	4	3	10.5	80	R
	HONDA	HSC 01 scooter	50	1993	→		F	157.5	58.2	4	3	10.5	80	R
		HSC ZR scooter	50	1992	→		F	157.5	58.2	4	3	10.5	80	R
		SR DIO scooter	50	1990	→		F	157.5	58.2	4	3	10.5	80	R
		ZX DIO scooter	50	1992	→		F	157.5	58.2	4	3	10.5	80	R
	KYMCO	CX CURIO SUPER scooter	50	1994	→		F	157.5	58.2	4	3	10.5	80	R
		FILLY LX scooter	50	2001	→		F	157.5	58.2	4	3	10.5	80	R
		HEROISM (KCZ/H124) scooter	50	1995	→	1996	F	157.5	58.2	4	3	10.5	80	R
		K 12 scooter	50	1995	→		F	157.5	58.2	4	3	10.5	80	R
		SNIPER DD scooter	50	1994	→		F	157.5	58.2	4	3	10.5	80	R
		SNIPER scooter	50	1993	→		F	157.5	58.2	4	3	10.5	80	R
		HEROISM scooter	125	1995	→		F	157.5	58.2	4	3	10.5	80	R
		HEROISM scooter	150	1995	→		F	157.5	58.2	4	3	10.5	80	R
	SYM	SR scooter	125	1998	→		F	157.5	58.2	4	3	10.5	80	R
FMD0007	BENELLI	ADIVA	125	2000	→	2002	F	220	58	4	5	6.5	80	R
		ADIVA	150	2000	→	2002	F	220	58	4	5	6.5	80	R
	GILERA	RUNNER (C14/H704) scooter	50	1997	→	2000	F	220	58	4	5	6.5	80	R
		RUNNER DD- SP (C14/H704) scooter	50	1997	→	2004	F	220	58	4	5	6.5	80	R
		RUNNER 125	125	1997	→	1999	F	220	58	4	5	6.5	80	R
		RUNNER 125 FX	125	1998	→		F	220	58	4	5	6.5	80	R
		RUNNER 125 SP	125	1999	→		F	220	58	4	5	6.5	80	R
		RUNNER 125 VX / VXR 4T	125	2001	→		F	220	58	4	5	6.5	80	R
		RUNNER FX (M07/H880) scooter	125	1997	→	1999	F	220	58	4	5	6.5	80	R
		RUNNER FX SP (Grimeca) (M07/H880) scooter	125	2002	→	2003	F	220	58	4	5	6.5	80	R
		RUNNER FX SP scooter	125	1999	→	2001	F	220	58	4	5	6.5	80	R
		RUNNER VX 4t (Grimeca) (M24/e3/0043) scooter	125	2001	→	2003	F	220	58	4	5	6.5	80	R
		RUNNER VX 4t (Hengtong) (M27/e3/0043) scooter	125	2001	→	2005	F	220	58	4	5	6.5	80	R
		RUNNER 180	180	1997	→	1998	F	220	58	4	5	6.5	80	R
		RUNNER 180 FXR	180	1998	→		F	220	58	4	5	6.5	80	R
		RUNNER 180 SP	180	1999	→		F	220	58	4	5	6.5	80	R
		RUNNER 180 VX / VXR 4T	180	2001	→		F	220	58	4	5	6.5	80	R
		RUNNER FXR 2t (Grimeca) (M08/H881) scooter	180	2000	→		F	220	58	4	5	6.5	80	R
		RUNNER FXR 2t (Hengtong) (M08/H881) scooter	180	2000	→		F	220	58	4	5	6.5	80	R
		RUNNER FXR 2t (M08/H881) scooter	180	1998	→	1999	F	220	58	4	5	6.5	80	R
		RUNNER FXR SP 2t (Grimeca) (M08/H881) scooter	180	1999	→	2002	F	220	58	4	5	6.5	80	R
		RUNNER FXR SP 2t (Hengtong) (M08/H881) scooter	180	2002	→	2003	F	220	58	4	5	6.5	80	R
		RUNNER VXR 4t (Grimeca) scooter	180	2001	→		F	220	58	4	5	6.5	80	R
		RUNNER VXR 4t (Hengtong) scooter	180	2001	→		F	220	58	4	5	6.5	80	R
		RUNNER 200 VX / VXR 4T	200	2002	→		F	220	58	4	5	6.5	80	R
		RUNNER VXR 4t (Grimeca) (M24/e3/0043) scooter	200	2002	→	2005	F	220	58	4	5	6.5	80	R
		RUNNER VXR 4t (Hengtong) (M24/e3/0043) scooter	200	2002	→	2005	F	220	58	4	5	6.5	80	R
	PIAGGIO	NRG MC2 (C18/K068) scooter	50	1997	→		F	220	58	4	5	6.5	80	R
		SKIPPER LX scooter	125	1998	→		F	220	58	4	5	6.5	80	R
		SKIPPER ST 4T (grimeca caliper)	125	2000	→	2004	F	220	58	4	5	6.5	80	R
		SKIPPER ST 4T (heng tong caliper)	125	2000	→	2004	F	220	58	4	5	6.5	80	R
		SKIPPER LXT scooter	150	1998	→	2006	F	220	58	4	5	6.5	80	R
		SKIPPER ST 4T (grimeca caliper)	150	2000	→	2004	F	220	58	4	5	6.5	80	R
		SKIPPER ST 4T (heng tong caliper)	150	2000	→	2004	F	220	58	4	5	6.5	80	R
FMD0008	HONDA	PANTHEON FES (JF12/e3/0172) scooter	125	2003	→		F	240	105	4	4	10.5	125	R
		FORESIGHT FES (MF05/e3/0011) scooter	250	2001	→		F	240	105	4	4	10.5	125	R
		FORZA scooter	250	2000	→	2004	F	240	105	4	4	10.5	125	R
		FORZA scooter	250	2005	→		F	240	105	4	4	10.5	125	R
		JAZZ scooter	250	2001	→	2004	F	240	105	4	4	10.5	125	R
	PEUGEOT	SV scooter	250	2002	→		F	240	105	4	4	10.5	125	R
FMD0009	CAGIVA	ELEFANT	750	1994	→	1995	R	240	105.5	5	4	10.5	125	R
		ELEFANT I.E.	900	1990	→	1992	R	240	105.5	5	4	10.5	125	R
		ELEFANT I.E.	900	1993	→	1996	R	240	105.5	5	4	10.5	125	R
		GRAN CANYON (M3/K325)	900	1999	→	2004	R	240	105.5	5	4	10.5	125	R
	HONDA	PANTHEON FES (JF05/K094) scooter	125	1998	→	2002	F	240	105.5	5	4	10.5	125	R
		PANTHEON FES (JF12/e3/0172) scooter	125	2003	→		R	240	105.5	5	4	10.5	125	R
		PANTHEON FES (JF05/K094) scooter	150	1998	→	2002	F	240	105.5	5	4	10.5	125	R



Front
Rear

Outside Dia (mm)

Inside Dia (mm)

Thickness (mm)

No. of Fixing hole

Fixing hole dia. (mm)

Fix. hole central dia. (mm)

DISC TYPE

Code	Brand	Model	Capacity	Year	Direction	Front	Rear	Outside Dia (mm)	Inside Dia (mm)	Thickness (mm)	No. of Fixing hole	Fixing hole dia. (mm)	Fix. hole central dia. (mm)	Disc Type
...FMD0009		PANTHEON FES (KF06/03/0171) scooter	150	2003	→	F	240	105.5	5	4	10.5	125	R	
		CB (CB250T/A399/1)	250	1992	→	F	240	105.5	5	4	10.5	125	R	
		FORZA scooter	250	2005	→	R	240	105.5	5	4	10.5	125	R	
		CB (PC32/H418)	500	1997	→	R	240	105.5	5	4	10.5	125	R	
		XLV TRANSALP (PD06/E512)	600	1991	→	R	240	105.5	5	4	10.5	125	R	
		XLV TRANSALP (PD06/E512)	600	1994	→	R	240	105.5	5	4	10.5	125	R	
		XLV TRANSALP (PD10/H6860)	600	1997	→	R	240	105.5	5	4	10.5	125	R	
		XLV TRANSALP (RD10/e3/0017)	650	2000	→	R	240	105.5	5	4	10.5	125	R	
		XRV AFRICA TWIN (RD03/E867)	650	1988	→	R	240	105.5	5	4	10.5	125	R	
		CB N, F, SEVEN FIFTY (RC42/G035)	750	1992	→	R	240	105.5	5	4	10.5	125	R	
FMD0010	HONDA	CB F HORNET/ 919	900	2002	→	R	240	105.5	5	4	10.5	125	R	
		CBR R	125	2004	→	F	276	144	5	6	10.5	166	R	
		VFR R (NC30/-)	400	1987	→	F	276	144	5	6	10.5	166	R	
		VFR Z	400	1986	→	F	276	144	5	6	10.5	166	R	
		CBR F (PC19/E515)	600	1987	→	F	276	144	5	6	10.5	166	R	
		CBR F (PC19/E515)	600	1989	→	F	276	144	5	6	10.5	166	R	
		CBR F (PC25/F648)	600	1991	→	F	276	144	5	6	10.5	166	R	
		SILVER WING ABS scooter	600	2003	→	F	276	144	5	6	10.5	166	R	
		SX VIGOR (RD09/H569)	650	1999	→	F	276	144	5	6	10.5	166	R	
		CB X F1-F2	750	1983	→	F	276	144	5	6	10.5	166	R	
FMD0012	TRIUMPH HONDA	VFR FJ	750	1986	→	F	276	144	5	6	10.5	166	R	
		XLV R (RD01/D141)	750	1984	→	F	276	144	5	6	10.5	166	R	
		VF F, FII (SC15/D413)	1000	1984	→	F	276	144	5	6	10.5	166	R	
		TIGER (T400/G427)	900	1993	→	F	276	144	5	6	10.5	166	R	
		SH i/ ABS scooter	300	2006	→	F	256	144	5	6	10.5	166	R	
		NSR (NC19V/D837/0)	400	1985	→	F	256	144	5	6	10.5	166	R	
		SILVER WING	400	2006	→	F	256	144	5	6	10.5	166	R	
		VFR R	400	1986	→	F	256	144	5	6	10.5	166	R	
		VF F	500	1985	→	F/R	256	144	5	6	10.5	166	R	
		VF F-F2	500	1983	→	F/R	256	144	5	6	10.5	166	R	
FMD0014	HONDA	SILVER WING (PF01/e4/0114) scooter	600	2001	→	F	256	144	5	6	10.5	166	R	
		VFR F (RC24/E159)	750	1988	→	R	256	144	5	6	10.5	166	R	
		VFR FJ	750	1986	→	R	256	144	5	6	10.5	166	R	
		CBR F, FP (SC24/F143)	1000	1993	→	R	256	144	5	6	10.5	166	R	
		CB X-11 (SC42/EBE)	1100	2000	→	R	256	144	5	6	10.5	166	R	
		X ELEVEN	1100	2000	→	R	256	144	5	6	10.5	166	R	
		PANTHEON FES (KF06/03/0171) scooter	150	2003	→	R	220	105	5	4	10.5	125	R	
		FORESIGHT FES (MF05/e3/0011) scooter	250	2001	→	R	220	105	5	4	10.5	125	R	
		FORZA scooter	250	2000	→	R	220	105	5	4	10.5	125	R	
		HORNET	250	1997	→	R	220	105	5	4	10.5	125	R	
FMD0015	HONDA	JAZZ scooter	250	2001	→	R	220	105	5	4	10.5	125	R	
		VTR (MC15/EBE)	250	1998	→	R	220	105	5	4	10.5	125	R	
		XELVIS V-25	250	1997	→	R	220	105	5	4	10.5	125	R	
		CB N (CB400T/A400)	400	1982	→	R	220	105	5	4	10.5	125	R	
		CB N (CB400T/A400)	400	1986	→	R	220	105	5	4	10.5	125	R	
		CBR F3	600	2003	→	R	220	105	5	4	10.5	125	R	
		CBR RR	600	2007	→	R	220	105	5	4	10.5	125	R	
		NX DOMINATOR J-K (RD02/E851)	650	1988	→	R	220	105	5	4	10.5	125	R	
		XR L	650	1993	→	R	220	105	5	4	10.5	125	R	
		CBR RR (SC33/H294)	900	1998	→	R	220	105	5	4	10.5	125	R	
FMD0017	HUSABERG	CBR RR	1000	2006	→	R	220	105	5	4	10.5	125	R	
		CBR RR	1000	2008	→	R	220	105	5	4	10.5	125	R	
		CBR RR (SC57/e4/0269)	1000	2004	→	R	220	105	5	4	10.5	125	R	
		BABY SPEED	600	2001	→	R	220	105	5	4	10.5	125	R	
		DAYTONA	600	2003	→	R	220	105	5	4	10.5	125	R	
		SPEED FOUR	600	2003	→	R	220	105	5	4	10.5	125	R	
		TT	600	2000	→	R	220	105	5	4	10.5	125	R	
		T509 SPEED TRIPLE (T509/H682)	900	1997	→	R	220	105	5	4	10.5	125	R	
		T595 DAYTONA (T595/H658)	950	1996	→	R	220	105	5	4	10.5	125	R	
		T955 DAYTONA (T595/H658)	955	1999	→	R	220	105	5	4	10.5	125	R	



Front
Rear

Outside Dia (mm)

Inside Dia (mm)

Thickness (mm)

No. of Fixing hole

Fixing hole dia. (mm)

Fix. hole central line diam (mm)

DISC TYPE

...FMD0017

KTM

FE E (Husaberg FE/e5/0001)	400	2001 → 2003	F	260	127	3	6	6.5	143	RF
FS C	400	2001 → 2003	F	260	127	3	6	6.5	143	RF
FS E	400	2001 → 2003	F	260	127	3	6	6.5	143	RF
FC E 470/6	470	2001 → 2002	F	260	127	3	6	6.5	143	RF
FC 501/4 CR	501	1999 → 2003	F	260	127	3	6	6.5	143	RF
FE E (Husaberg FE/e5/0001)	501	1999 → 2004	F	260	127	3	6	6.5	143	RF
FE S (Husaberg FE/e5/0001)	501	1999 → 2004	F	260	127	3	6	6.5	143	RF
FC 550/4	550	2001 → 2005	F	260	127	3	6	6.5	143	RF
FE E	550	2004 → 2005	F	260	127	3	6	6.5	143	RF
FC 600/4 CR	600	1999 → 2003	F	260	127	3	6	6.5	143	RF
FE E (Husaberg FE/e5/0001)	600	1999 → 2002	F	260	127	3	6	6.5	143	RF
FE SUPERMOTARD	600	1999 → 2003	F	260	127	3	6	6.5	143	RF
FE E (Husaberg FE/e5/0001)	650	2001 → 2005	F	260	127	3	6	6.5	143	RF
FS E- C	650	2001 → 2004	F	260	127	3	6	6.5	143	RF
FX E	650	2001 → 2005	F	260	127	3	6	6.5	143	RF
ECX-SX	125	1998 → 1999	F	260	127	3	6	6.5	143	RF
EXC-SX	125	2000 → 2003	F	260	127	3	6	6.5	143	RF
EXC-SX	125	2004 → 2007	F	260	127	3	6	6.5	143	RF
GS	125	1993 → 1994	F	260	127	3	6	6.5	143	RF
GS	125	1994 → 1997	F	260	127	3	6	6.5	143	RF
MX	125	1992 → 2000	F	260	127	3	6	6.5	143	RF
SX	125	1993 → 2000	F	260	127	3	6	6.5	143	RF
SX	125	1994 → 1997	F	260	127	3	6	6.5	143	RF
EXC	200	1998 → 1999	F	260	127	3	6	6.5	143	RF
EXC	200	2003 → 2007	F	260	127	3	6	6.5	143	RF
EXC (KTM-2T-EXC/e1/00060)	200	2000 → 2002	F	260	127	3	6	6.5	143	RF
SX (KTM-2T-EXC/e1/00060)	200	2003 → 2007	F	260	127	3	6	6.5	143	RF
EXC 2t-4t	250	2003 → 2000	F	260	127	3	6	6.5	143	RF
EXC 2t-4t	250	2004 → 2007	F	260	127	3	6	6.5	143	RF
EXC- SX (KTM-2T-EXC/e1/00060)	250	2000 → 2002	F	260	127	3	6	6.5	143	RF
EXC-SX	250	1998 → 1999	F	260	127	3	6	6.5	143	RF
GS	250	1993 → 2000	F	260	127	3	6	6.5	143	RF
GS	250	1994 → 1997	F	260	127	3	6	6.5	143	RF
MX	250	1992 → 2000	F	260	127	3	6	6.5	143	RF
SX	250	1993 → 2000	F	260	127	3	6	6.5	143	RF
SX (2t-4t) (VBKMXN/EBE)	250	2003 → 2006	F	260	127	3	6	6.5	143	RF
SX-F	250	2006 → 2007	F	260	127	3	6	6.5	143	RF
EXC	300	2004 → 2006	F	260	127	3	6	6.5	143	RF
EXC-SX	300	1997 → 1999	F	260	127	3	6	6.5	143	RF
EXC-SX	300	2000 → 2002	F	260	127	3	6	6.5	143	RF
GS	300	1991 → 1992	F	260	127	3	6	6.5	143	RF
GS	300	1993 → 1994	F	260	127	3	6	6.5	143	RF
GS	300	1995 → 2000	F	260	127	3	6	6.5	143	RF
MX	300	1991 → 2000	F	260	127	3	6	6.5	143	RF
MX	300	1992 → 2000	F	260	127	3	6	6.5	143	RF
SX	300	1993 → 2000	F	260	127	3	6	6.5	143	RF
GS 4T	350	1993 → 2000	F	260	127	3	6	6.5	143	RF
EXC-SX	380	1998 → 1999	F	260	127	3	6	6.5	143	RF
EGS	400	1996 → 1999	F	260	127	3	6	6.5	143	RF
EXC	400	1994 → 1999	F	260	127	3	6	6.5	143	RF
EXC 6M (KTM-4T-EXC/e1/00067)	400	2000 → 2005	F	260	127	3	6	6.5	143	RF
EXC	450	2003 → 2000	F	260	127	3	6	6.5	143	RF
EXC (KTM-4T-EXC/e1/00067)	450	2004 → 2007	F	260	127	3	6	6.5	143	RF
SX-F (VBKMXN/EBE)	450	2003 → 2006	F	260	127	3	6	6.5	143	RF
MX	500	1992 → 2000	F	260	127	3	6	6.5	143	RF
SX	500	1993 → 1994	F	260	127	3	6	6.5	143	RF
SX	500	1995 → 2000	F	260	127	3	6	6.5	143	RF
ECX 6M (KTM-4T-EXC/e1/00067)	520	2000 → 2002	F	260	127	3	6	6.5	143	RF
SX 4M (VBKMXM/EBE)	520	2000 → 2002	F	260	127	3	6	6.5	143	RF
EXC (KTM-4T-EXC/e1/00067)	525	2003 → 2000	F	260	127	3	6	6.5	143	RF
EXC (KTM-4T-EXC/e1/00067)	525	2004 → 2007	F	260	127	3	6	6.5	143	RF
SX	525	2004 → 2006	F	260	127	3	6	6.5	143	RF
SX (VBKMXM/EBE)	525	2003 → 2000	F	260	127	3	6	6.5	143	RF
XC DESERT RACING	525	2006 → 2007	F	260	127	3	6	6.5	143	RF
SXC (KTM-4T-EGS/e1/00007)	540	1999 → 2000	F	260	127	3	6	6.5	143	RF
GS 4T	600	1993 → 2000	F	260	127	3	6	6.5	143	RF
LC4 ENDURO	600	1991 → 1992	F	260	127	3	6	6.5	143	RF
MX	600	1992 → 2000	F	260	127	3	6	6.5	143	RF
LC4 SC SUPERCOMP	620	1998 → 1999	F	260	127	3	6	6.5	143	RF
LC4 SC SUPERCOMP	620	2000 → 2001	F	260	127	3	6	6.5	143	RF
LC4 SXC SUPERMOTO (KTM-4T-EGS/e1/00007)	620	2000 → 2001	F	260	127	3	6	6.5	143	RF
LC4 SC SUPERCOMP	625	2002 → 2000	F	260	127	3	6	6.5	143	RF
SXC	625	2003 → 2007	F	260	127	3	6	6.5	143	RF
LC4 SUPERMOTO	640	1998 → 1999	F	260	127	3	6	6.5	143	RF
EN	500	1990 → 1993	F	270	130	6	7	10.5	150	R
Z J1/J2	1000	1981 → 1983	R	270	130	6	7	10.5	150	R
VELVET DUSK scooter	400	2003 →	R	200	96	4	5	6.5	107	R
DNA (Grimeca) (C27/e3/0040) scooter	50	2000 → 2002	R	200	96	4	5	6.5	107	R

FMD0020 KAWASAKI

FMD0022 BENELLI
GILERA



Front
Rear

Outside Dia (mm)

Inside Dia (mm)

Thickness (mm)

No. of Fixing hole

Fixing hole dia. (mm)

Fix. hole central line diam (mm)

DISC TYPE

...FMD0022

MALAGUTI
PIAGGIO

DNA (Hengtong) scooter
 RUNNER VX 4t (Grimeca) (M24/e3/0043) scooter
 RUNNER VX 4t (Hengtong) (M27/e3/0043) scooter
 CENTRO SL (36/EBE) (ZJM42/EBE) scooter
 FREE (FCS/G431) scooter
 QUARTZ scooter
 SFERA ET2 scooter
 SFERA RST (C01/127/0) scooter
 VESPA ET2 (C16/H767) (C38/e3/0125) scooter
 ZIP SP 2T (SSL/G357) scooter
 SKIPPER scooter
 HEXAGON LX (M05/H896) scooter
 SFERA 4T (M01/H148) scooter
 SKIPPER (CSM/G500) scooter
 SKIPPER scooter
 SUPER EXAGON GTX (Hengtong, 11") (M20/e3/0013) scooter
 SUPER HEXAGON GTX (Grimeca, 11") (M20/e3/0013) scooter
 VESPA ET4 (M04/H540) scooter
 VESPA ET4 (M19/e1/00002) scooter
 VESPA PX scooter
 VESPA ET4 scooter
 VESPA PX scooter
 HEXAGON LXT (M06/H897) scooter
 SUPER EXAGON GTX (Grimeca cal.) scooter
 SUPER HEXAGON GTX (Grimeca, 11"-12" wheels) scooter
 VESPA PE scooter
 HEXAGON GT (M23/e11/00022) scooter
 SUPER EXAGON GT-GTX scooter

Capacity	Year	Direction	Front	Outside Dia (mm)	Inside Dia (mm)	Thickness (mm)	No. of Fixing hole	Fixing hole dia. (mm)	Fix. hole central line diam (mm)	DISC TYPE	
50	2000	→	2005	R	200	96	4	5	6.5	107	R
125	2001	→	2003	R	200	96	4	5	6.5	107	R
125	2001	→	2005	R	200	96	4	5	6.5	107	R
50	1994	→		F	200	96	4	5	6.5	107	R
50	1997	→		F	200	96	4	5	6.5	107	R
50	1991	→	1995	F	200	96	4	5	6.5	107	R
50	1997	→		F	200	96	4	5	6.5	107	R
50	1995	→		F	200	96	4	5	6.5	107	R
50	1997	→		F	200	96	4	5	6.5	107	R
50	1996	→	2005	F	200	96	4	5	6.5	107	R
80	1994	→	1995	F	200	96	4	5	6.5	107	R
125	1998	→		F	200	96	4	5	6.5	107	R
125	1996	→		F	200	96	4	5	6.5	107	R
125	1996	→	1997	F	200	96	4	5	6.5	107	R
125	1993	→	1995	F	200	96	4	5	6.5	107	R
125	2000	→		F/R	200	96	4	5	6.5	107	R
125	2000	→		F/R	200	96	4	5	6.5	107	R
125	1996	→	1999	F	200	96	4	5	6.5	107	R
125	2000	→		F	200	96	4	5	6.5	107	R
125	1998	→		F	200	96	4	5	6.5	107	R
150	1999	→	2004	F	200	96	4	5	6.5	107	R
150	1998	→	2006	F	200	96	4	5	6.5	107	R
180	1998	→		F	200	96	4	5	6.5	107	R
180	2000	→		F/R	200	96	4	5	6.5	107	R
180	2000	→		F/R	200	96	4	5	6.5	107	R
200	1998	→		F	200	96	4	5	6.5	107	R
250	1998	→		F	200	96	4	5	6.5	107	R
250	2000	→		F/R	200	96	4	5	6.5	107	R

FMD0023

DUCATI

JUNIOR SS
 M MONSTER (M3/e1/00025)
 SS SUPERSPORT
 SS SUPERSPORT JUNIOR
 M MONSTER (M/G802/0)
 M MONSTER (M3/e1/00025)
 SS SUPERSPORT (S/G801/0)
 M MONSTER (M4/e3/0030)
 M MONSTER double disk
 M MONSTER single disk
 MULTISTRADA double disk
 MULTISTRADA single disk
 SPORT (V5/e3/0142)
 SS SUPERSPORT
 M MONSTER
 MONSTER
 MONSTER ABS
 M MONSTER (M/G802)
 M MONSTER (M/G8020)
 SPORT (ZDM750S/EBE)
 SS SUPERSPORT (S/G801/0)
 SS SUPERSPORT (V2/e1/00026)
 M MONSTER (M4/e3/0030)
 SPORT (V5/e3/0142)
 SS SUPERSPORT (V5/e3/0142)
 851 STRADA - SP
 888 DESMOQUATTRO
 888 SP
 M MONSTER (M/G802)
 M MONSTER (M/G802/0)
 M MONSTER i.e. (M2/e1/00051)
 PASO 906
 SL SUPERLIGHT
 SPORT
 SS SUPERSPORT
 SS SUPERSPORT (V1/E1.92/61.00004.00)
 S4 MONSTER (M4/e3/0030)
 ST4 (S2/E1.92/61.00013.00)
 ST2 (S1/H965)
 ST3
 ST4 S (S2/e1/00013)
 GT
 M MONSTER (M4/e3/0030)
 PAUL SMART LE
 SPORT
 SPORT S
 SS SUPERSPORT DS (V5/e3/0142)
 ST3
 ST3 S ABS
 GHOST (ZLVSPA/EBE)

Capacity	Year	Direction	Front	Outside Dia (mm)	Inside Dia (mm)	Thickness (mm)	No. of Fixing hole	Fixing hole dia. (mm)	Fix. hole central line diam (mm)	DISC TYPE	
350	1991	→	1992	R	245	115	4	6	8.5	133	R
400	2001	→	2006	R	245	115	4	6	8.5	133	R
400	1992	→	1997	R	245	115	4	6	8.5	133	R
400	1992	→	1997	R	245	115	4	6	8.5	133	R
600	1994	→	1999	R	245	115	4	6	8.5	133	R
600	2000	→	2002	R	245	115	4	6	8.5	133	R
600	1994	→	1997	R	245	115	4	6	8.5	133	R
620	2002	→	2004	R	245	115	4	6	8.5	133	R
620	2005	→	2006	R	245	115	4	6	8.5	133	R
620	2005	→	2006	R	245	115	4	6	8.5	133	R
620	2005	→	2006	R	245	115	4	6	8.5	133	R
620	2003	→	2004	R	245	115	4	6	8.5	133	R
620	2004	→		R	245	115	4	6	8.5	133	R
695	2006	→		R	245	115	4	6	8.5	133	R
696	2008	→	2012	R	245	115	4	6	8.5	133	R
696	2010	→	2012	R	245	115	4	6	8.5	133	R
750	2000	→	2001	R	245	115	4	6	8.5	133	R
750	1996	→	1999	R	245	115	4	6	8.5	133	R
750	2000	→	2002	R	245	115	4	6	8.5	133	R
750	1991	→	1999	R	245	115	4	6	8.5	133	R
750	2000	→	2002	R	245	115	4	6	8.5	133	R
800	2003	→	2004	R	245	115	4	6	8.5	133	R
800	2003	→	2004	R	245	115	4	6	8.5	133	R
800	2003	→	2004	R	245	115	4	6	8.5	133	R
851	1990	→	1991	R	245	115	4	6	8.5	133	R
888	1993	→	1994	R	245	115	4	6	8.5	133	R
888	1990	→	1993	R	245	115	4	6	8.5	133	R
900	2000	→	2001	R	245	115	4	6	8.5	133	R
900	1993	→	1999	R	245	115	4	6	8.5	133	R
900	2002	→		R	245	115	4	6	8.5	133	R
900	1989	→	1990	R	245	115	4	6	8.5	133	R
900	1992	→	1996	R	245	115	4	6	8.5	133	R
900	2002	→		R	245	115	4	6	8.5	133	R
900	1991	→	1997	R	245	115	4	6	8.5	133	R
900	1998	→	2002	R	245	115	4	6	8.5	133	R
916	2001	→	2003	R	245	115	4	6	8.5	133	R
916	1999	→	2004	R	245	115	4	6	8.5	133	R
944	1997	→	2003	R	245	115	4	6	8.5	133	R
992	2004	→	2006	R	245	115	4	6	8.5	133	R
996	2001	→	2006	R	245	115	4	6	8.5	133	R
1000	2006	→	2007	R	245	115	4	6	8.5	133	R
1000	2003	→	2005	R	245	115	4	6	8.5	133	R
1000	2006	→	2007	R	245	115	4	6	8.5	133	R
1000	2006	→	2007	R	245	115	4	6	8.5	133	R
1000	2007	→		R	245	115	4	6	8.5	133	R
1000	2003	→	2006	R	245	115	4	6	8.5	133	R
1000	2004	→	2006	R	245	115	4	6	8.5	133	R
1000	2006	→	2007	R	245	115	4	6	8.5	133	R
650	1996	→	1997	R	245	115	4	6	8.5	133	R

LAVERDA

11004



Front
Rear

Outside Dia (mm)

Inside Dia (mm)

Thickness (mm)

No. of Fixing hole

Fixing hole dia. (mm)

Fix. hole centralline diam (mm)

DISC TYPE

Code	Brand	Model	Capacity	Year	Direction	Front	Outside Dia (mm)	Inside Dia (mm)	Thickness (mm)	No. of Fixing hole	Fixing hole dia. (mm)	Fix. hole centralline diam (mm)	DISC TYPE	
...FMD0023	YAMAHA	SPORT	650	1995 → 2001	R	245	115	4	6	8.5	133	R		
		S FORMULA (ZLVSTA/EBE)	750	1998 → 2001	R	245	115	4	6	8.5	133	R		
		STRIKE	750	1998 → 2001	R	245	115	4	6	8.5	133	R		
		SRX	400	1991 →	R	245	115	4	6	8.5	133	R		
		XJR-R (4HM/EBE)	400	1995 →	R	245	115	4	6	8.5	133	R		
		FZR (3RG,3RH/F152/153)	600	1989 →	R	245	115	4	6	8.5	133	R		
		FZR R (3HE/F103)	600	1990 → 1991	R	245	115	4	6	8.5	133	R		
		FZR R (4JH/4MH/G653/663)	600	1992 → 1995	R	245	115	4	6	8.5	133	R		
		FZS FAZER (RJ02/H988)	600	1998 → 2003	R	245	115	4	6	8.5	133	R		
		XJ DIVERSION S-N (4BRA,4BRB/F944/945)	600	1991 → 1997	R	245	115	4	6	8.5	133	R		
		XJ DIVERSION S-N (RJ01/H810)	600	1998 →	R	245	115	4	6	8.5	133	R		
		YZF R THUNDERCAT (4TV/H441)	600	1996 → 2007	R	245	115	4	6	8.5	133	R		
		YZF R, SP (4HN,4HT/G346/347)	750	1993 → 1996	R	245	115	4	6	8.5	133	R		
		YZF R7 OW02 (RM01/)	750	1999 →	R	245	115	4	6	8.5	133	R		
		YZF SP	750	1993 → 1997	R	245	115	4	6	8.5	133	R		
		TDM (3VD/F699)	850	1991 → 1995	R	245	115	4	6	8.5	133	R		
		TDM (4TX/H442)	850	1996 → 2001	R	245	115	4	6	8.5	133	R		
		TRX (Italy) (4UN/H283)	850	1995 → 2000	R	245	115	4	6	8.5	133	R		
		TDM (RN08/e13/0053)	900	2002 →	R	245	115	4	6	8.5	133	R		
		YZF R THUNDER ACE (4VD/H443)	1000	1996 →	R	245	115	4	6	8.5	133	R		
		YZF R1 (RN01/H917)	1000	1998 → 2001	R	245	115	4	6	8.5	133	R		
		FMD0025	PEUGEOT	SPEEDFIGHT 2 A/C (S1B/e2/0006) scooter	50	2001 →	F	180	62.5	3.5	3	10.5	80	R
				SPEEDFIGHT 2 L/C DD (S1B/e2/0006) scooter	50	2001 →	R	180	62.5	3.5	3	10.5	80	R
SPEEDFIGHT LC (Brembo) (S1BDE/H645) scooter	50			1996 →	F/R	180	62.5	3.5	3	10.5	80	R		
FMD0026	SUZUKI	SPEEDFIGHT scooter	100	1997 →	F/R	180	62.5	3.5	3	10.5	80	R		
		AN BURGMAN (AN/K042) scooter	250	1998 → 2003	F	260	121.2	4	6	10.3	142	R		
		AN BURGMAN (AU/K296) scooter	400	1999 → 2000	F	260	121.2	4	6	10.3	142	R		
FMD0027	SUZUKI	AN BURGMAN (WVAU/e4/0099) scooter	400	2001 → 2002	F	260	121.2	4	6	10.3	142	R		
		TS R	125	1989 →	F	242	121	4	4	10.5	142	R		
		TS R	200	1989 →	F	242	121	4	4	10.5	142	R		
FMD0028	SUZUKI	DR RK DJEBEL (SN41A/D786)	600	1989 →	F	242	121	4	4	10.5	142	R		
		DR S	600	1985 → 1986	F	242	121	4	4	10.5	142	R		
		DR S DAKAR (SN41A/D786/0)	600	1985 → 1989	F	242	121	4	4	10.5	142	R		
		RM	125	2000 → 2005	F	250	118	3	6	6.5	134	RF/R		
		RM	125	2006 → 2007	F	250	118	3	6	6.5	134	RF/R		
		RM (J)	125	1988 →	F	250	118	3	6	6.5	134	RF/R		
		RM (K, L, M, N, P, R, S)	125	1989 → 1995	F	250	118	3	6	6.5	134	RF/R		
		RM (T, K)	125	1996 → 1999	F	250	118	3	6	6.5	134	RF/R		
		RM	250	2000 → 2005	F	250	118	3	6	6.5	134	RF/R		
		RM	250	2006 → 2007	F	250	118	3	6	6.5	134	RF/R		
		RM K, L, M, N, P, R, S	250	1989 → 1995	F	250	118	3	6	6.5	134	RF/R		
		RM T-K (RJ14A/EBE)	250	1996 → 1999	F	250	118	3	6	6.5	134	RF/R		
		RMX S	250	1992 → 1998	F	250	118	3	6	6.5	134	RF/R		
		DRZ E	400	2000 → 2006	F	250	118	3	6	6.5	134	RF/R		
		DRZ S	400	2000 → 2006	F	250	118	3	6	6.5	134	RF/R		
		YAMAHA	YAMAHA	WR	125	2001 →	F	250	118	3	6	6.5	134	RF/R
				WR	125	2002 →	F	250	118	3	6	6.5	134	RF/R
				WR	125	2003 → 2005	F	250	118	3	6	6.5	134	RF/R
				YZ	125	2006 → 2007	F	250	118	3	6	6.5	134	RF/R
				YZ (4XM/EBE)	125	1998 → 2000	F	250	118	3	6	6.5	134	RF/R
				YZ (4XM/EBE)	125	2001 →	F	250	118	3	6	6.5	134	RF/R
				YZ (4XM/EBE)	125	2002 →	F	250	118	3	6	6.5	134	RF/R
				YZ (CE10/EBE)	125	2003 → 2005	F	250	118	3	6	6.5	134	RF/R
WR	250			2003 → 2005	F	250	118	3	6	6.5	134	RF/R		
WR	250			2006 → 2007	F	250	118	3	6	6.5	134	RF/R		
WR F	250			2003 → 2005	F	250	118	3	6	6.5	134	RF/R		
WR F	250			2006 → 2007	F	250	118	3	6	6.5	134	RF/R		
YZ	250			2006 → 2007	F	250	118	3	6	6.5	134	RF/R		
YZ (CG/e1/00106)	250			2003 → 2006	F	250	118	3	6	6.5	134	RF/R		
YZ F	250			2006 →	F	250	118	3	6	6.5	134	RF/R		
YZ F	250			2007 →	F	250	118	3	6	6.5	134	RF/R		
YZ F (4t) F (CG/e1/00106)	250			2003 → 2005	F	250	118	3	6	6.5	134	RF/R		
YZ F - WR F (4t)	250			2001 →	F	250	118	3	6	6.5	134	RF/R		
YZ F - WR F (4t)	250			2002 →	F	250	118	3	6	6.5	134	RF/R		
YZ - WR (4XL/EBE)	250			1998 → 2000	F	250	118	3	6	6.5	134	RF/R		
YZ - WR (4XL/EBE)	250			2001 →	F	250	118	3	6	6.5	134	RF/R		
YZ - WR (4XL/EBE)	250			2002 →	F	250	118	3	6	6.5	134	RF/R		
YZ F (CJ(04)/e1/0107)	426			2000 →	F	250	118	3	6	6.5	134	RF/R		
YZ F - WR F (CJ(04)/e1/0107) (CJ/01/0107)	426	2001 →	F	250	118	3	6	6.5	134	RF/R				
YZ F - WR F (CJ(04)/e1/0107) (CJ/01/0107)	426	2002 →	F	250	118	3	6	6.5	134	RF/R				
WR F	450	2003 → 2006	F	250	118	3	6	6.5	134	RF/R				
YZ F	450	2006 →	F	250	118	3	6	6.5	134	RF/R				
YZ F (CJ(03)/e1/0107)	450	2003 → 2005	F	250	118	3	6	6.5	134	RF/R				
FMD0029	TM YAMAHA	GS- MC	125	1990 → 1992	F	230	85	3	6	6.5	102	R		
		DT R	125	1992 →	F	230	85	3	6	6.5	102	R		
		DTZ TENERE	125	1989 → 1994	F	230	85	3	6	6.5	102	R		
		WR	125	1989 →	F	230	85	3	6	6.5	102	R		
		YZ N, S, T	125	1985 → 1987	F	230	85	3	6	6.5	102	R		



CC

Front
Rear

Outside Dia (mm)

Inside Dia (mm)

Thickness (mm)

No. of Fixing hole

Fixing hole dia. (mm)

Fix. hole centreline diam (mm)

DISC TYPE

Code	Brand	Model	CC	Year	Front/Rear	Outside Dia (mm)	Inside Dia (mm)	Thickness (mm)	No. of Fixing hole	Fixing hole dia. (mm)	Fix. hole centreline diam (mm)	DISC TYPE		
...FMD0029		YZ U	125	1988	→	F	230	85	3	6	6.5	102	R	
		YZ V, W	125	1989	→	F	230	85	3	6	6.5	102	R	
		YZ N, S, T	250	1985	→	1987	F	230	85	3	6.5	102	R	
		YZ U	250	1988	→	F	230	85	3	6	6.5	102	R	
		YZ V,W,WRW	250	1989	→	F	230	85	3	6	6.5	102	R	
		TT	350	1987	→	F	230	85	3	6	6.5	102	R	
		YZ	360	1989	→	F	230	85	3	6	6.5	102	R	
		WR ZD,ZE	500	1992	→	1993	F	230	85	3	6	6.5	102	R
		TT	600	1989	→	F	230	85	3	6	6.5	102	R	
		TT	600	1990	→	1992	F	230	85	3	6	6.5	102	R
FMD0030	YAMAHA	TZR R	50	1993	→	2002	F	245	115	4	6	6.5	133	R
		YFM BEAR TRACKER	250	2001	→	2004	F	245	115	4	6	6.5	133	R
		XTZ SUPERTENERE' (3WM/F343)	750	1989	→	F	245	115	4	6	6.5	133	R	
FMD0031	YAMAHA	XT 4 VALVES	600	1988	→	1989	F	267	132	4	6	6.5	150	R
		XT 4 VALVES-Z	600	1986	→	1987	F	267	132	4	6	6.5	150	R
		XT E	600	1990	→	1994	F	267	132	4	6	6.5	150	R
		XT Z TENERE (1VJ/E124)	600	1986	→	F	267	132	4	6	6.5	150	R	
		XT Z TENERE (3AJ/E807)	600	1987	→	1991	F	267	132	4	6	6.5	150	R
FMD0032	HONDA	XL LM, RM (PD04/D890/0)	600	1985	→	1988	F	256	144	4	7	10.5	166	R
FMD0033	HONDA	XRV R AFRICA TWIN (RD04/F371)	750	1990	→	1992	F	276	144	4	4	10.5	166	R
		XRV R AFRICA TWIN (RD07/G317)	750	1993	→	F	276	144	4	4	10.5	166	R	
FMD0034	KYMCO	AGILITY scooter	50	2005	→	F	180	58.2	4	3	10.6	80	R	
		DINK scooter	50	1998	→	2001	F	180	58.2	4	3	10.6	80	R
		TOP BOY scooter	50	1998	→	F	180	58.2	4	3	10.6	80	R	
		DINK scooter	125	1996	→	2001	F/R	180	58.2	4	3	10.6	80	R
		DINK scooter	150	1997	→	2001	F/R	180	58.2	4	3	10.6	80	R
FMD0038	PEUGEOT	X RACE	50	2002	→	2005	R	180	58.2	4	3	10.6	80	R
	APRILIA	PEGASO	650	1991	→	2000	F	298	105	5	6	6.5	120	RF
		PEGASO I.E.	650	2001	→	2004	F	298	105	5	6	6.5	120	RF
		PEGASO TRAIL	650	2005	→	2008	F	298	105	5	6	6.5	120	RF
FMD0039	MALAGUTI	CENTRO 50 SL	50	1993	→	F	200	98	4	5	6.4	110	R	
	PIAGGIO	QUARTZ 50	50	1992	→	F	200	98	4	5	6.4	110	R	
		SKIPPER 125	125	1993	→	1997	F	200	98	4	5	6.4	110	R
		SKIPPER 150	150	1993	→	1997	F	200	98	4	5	6.4	110	R
FMD0042	MALAGUTI	F10 scooter	50	1992	→	1994	F	155	30	4	5	6.4	60	R
		F10 scooter	50	1995	→	2005	F	155	30	4	5	6.4	60	R
		YESTERDAY (45/H969) scooter	50	1997	→	2001	F	155	30	4	5	6.4	60	R
	MOTRON	COMPACT WF	50	1988	→	1992	F	155	30	4	5	6.4	60	R
	PEUGEOT	ZENITH LUXE scooter	50	1996	→	F	155	30	4	5	6.4	60	R	
FMD0043	PIAGGIO	LIBERTY 50	50	1997	→	F	220	105	4	6	6.4	120	R	
		LIBERTY 50 4T	50	2000	→	F	220	105	4	6	6.4	120	R	
		FREE 100	100	2001	→	F	220	105	4	6	6.4	120	R	
		LIBERTY 125	125	1998	→	F	220	105	4	6	6.4	120	R	
		SUPER EXAGON 125 GTX	125	2001	→	R	220	105	4	6	6.4	120	R	
		VESPA 125 GRANTURISMO L	125	2003	→	F/R	220	105	4	6	6.4	120	R	
		LIBERTY 150	150	2000	→	F	220	105	4	6	6.4	120	R	
		SUPER EXAGON 180 GTX	180	2001	→	R	220	105	4	6	6.4	120	R	
		LIBERTY 200 4T	200	2006	→	F	220	105	4	6	6.4	120	R	
		LIBERTY 200 4T SPORT	200	2006	→	F	220	105	4	6	6.4	120	R	
		VESPA 200 GRANTURISMO L	200	2003	→	F/R	220	105	4	6	6.4	120	R	
		VESPA 250 GTS	250	2005	→	F/R	220	105	4	6	6.4	120	R	
FMD0044	APRILIA	SCARABEO 4t scooter	50	2004	→	F	220	60	4	5	6.4	80	R	
		SCARABEO DE-LUX scooter	50	1998	→	F	220	60	4	5	6.4	80	R	
		SCARABEO DITECH (SC,TG,TH/EBE) scooter	50	2001	→	F	220	60	4	5	6.4	80	R	
		SCARABEO scooter	50	1998	→	F	220	60	4	5	6.4	80	R	
FMD0045	MBK	CW 50 BOOSTER SPIRIT	50	1999	→	F	180	48	3.5	4	10.4	66	R	
		CW 50 L BOOSTER	50	2001	→	F	180	48	3.5	4	10.4	66	R	
		CW 50 RS BOOSTER NG	50	1995	→	1998	F	180	48	3.5	4	10.4	66	R
		CW 50 RSP BOOSTER ROCKET	50	1997	→	1998	F	180	48	3.5	4	10.4	66	R
		CW 50 RSX TRACK	50	1996	→	1998	F	180	48	3.5	4	10.4	66	R
FMD0048	MALAGUTI	F12 PHANTOM twin disk (62/e3/0071) scooter	50	1999	→	2005	F	200	58	4	3	9	80	R
		F15 FIREFOX L.C. (44/H817) scooter	50	1999	→	2005	F	200	58	4	3	9	80	R
		F12 PHANTOM twin disk scooter	100	1999	→	2001	F	200	58	4	3	9	80	R
FMD0049	KYMCO	PEOPLE 50	50	1999	→	F	226	58	3.5	3	10.5	80	R	
		PEOPLE 125	125	1999	→	F	226	58	3.5	3	10.5	80	R	
		PEOPLE 150	150	2000	→	F	226	58	3.5	3	10.5	80	R	
FMD0050	APRILIA	SCARABEO	125	1999	→	2003	F	260	60	4	5	8.5	80	R
		SCARABEO GT	125	1999	→	2003	F	260	60	4	5	8.5	80	R
		SPORTCITY	125	2004	→	2007	F	260	60	4	5	8.5	80	R
		SCARABEO	150	1999	→	2002	F	260	60	4	5	8.5	80	R
		SCARABEO GT	200	2001	→	2004	F	260	60	4	5	8.5	80	R
		SPORTCITY	200	2005	→	2007	F	260	60	4	5	8.5	80	R
		SCARABEO scooter	250	2005	→	2006	F	260	60	4	5	8.5	80	R
		SPORTCITY	250	2006	→	2007	F	260	60	4	5	8.5	80	R
		SCARABEO URBAN scooter	400	2006	→	F	260	60	4	5	8.5	80	R	
		ATLANTIC (PT/e3/0097) scooter	500	2002	→	2005	F	260	60	4	5	8.5	80	R
		SCARABEO (RT/e1/00072) scooter	500	2003	→	2005	F	260	60	4	5	8.5	80	R
		SCARABEO URBAN scooter	500	2006	→	F	260	60	4	5	8.5	80	R	



Front
Rear

Outside Dia (mm)

Inside Dia (mm)

Thickness (mm)

No. of Fixing hole

Fixing hole dia. (mm)

Fix. hole centralline diam (mm)

DISC TYPE

FMD	Brand	Model	Capacity	Year	Direction	Front	Rear	Outside Dia (mm)	Inside Dia (mm)	Thickness (mm)	No. of Fixing hole	Fixing hole dia. (mm)	Fix. hole centralline diam (mm)	DISC TYPE		
FMD0054	GILERA PIAGGIO	NEXUS 500	500	2003	→	R	240	125	5	5	6.5	140	R			
		MP3 125	125	2006	→	2007	R	240	125	5	5	6.5	140	R		
		SUPER EXAGON 125 GTX	125	2001	→	F	240	125	5	5	6.5	140	R	R		
		X8 125	125	2004	→	R	240	125	5	5	6.5	140	R	R		
		X8 125	125	2005	→	R	240	125	5	5	6.5	140	R	R		
		X8 125 PREMIUM	125	2006	→	R	240	125	5	5	6.5	140	R	R		
		SUPER EXAGON 180 GTX	180	2001	→	F	240	125	5	5	6.5	140	R	R		
		X8 200	200	2004	→	R	240	125	5	5	6.5	140	R	R		
		MP3 250	250	2006	→	2007	R	240	125	5	5	6.5	140	R		
		BEVERLY 400 EURO 3	400	2006	→	R	240	125	5	5	6.5	140	R	R		
		BEVERLY 500	500	2002	→	R	240	125	5	5	6.5	140	R	R		
		X9 500	500	2001	→	R	240	125	5	5	6.5	140	R	R		
		X9 500 EVOLUTION	500	2003	→	R	240	125	5	5	6.5	140	R	R		
		FMD0055	PIAGGIO	BEVERLY 125	125	2001	→	F/R	260	125	4	5	6.5	140	R	
				BEVERLY 125 RST	125	2005	→	F/R	260	125	4	5	6.5	140	R	
				BEVERLY 200	200	2001	→	F/R	260	125	4	5	6.5	140	R	
				BEVERLY 250 LEADER	250	2004	→	F/R	260	125	4	5	6.5	140	R	
				BEVERLY 250 RST	250	2005	→	F/R	260	125	4	5	6.5	140	R	
				BEVERLY 500	500	2002	→	F	260	125	4	5	6.5	140	R	
				X9 500	500	2001	→	F	260	125	4	5	6.5	140	R	
FMD0057	HONDA	@ 125 NES	125	2000	→	F	220	105	4	4	10.5	125	R			
		@ NES (JF07/e4/0082) scooter	125	2001	→	F	220	105	4	4	10.5	125	R			
		DYLAN (JF10/e3/0122) scooter	125	2002	→	F	220	105	4	4	10.5	125	R			
		PSi scooter	125	2006	→	F	220	105	4	4	10.5	125	R			
		SH (JF09/e3/0073) scooter	125	2001	→	2004	F	220	105	4	4	10.5	125	R		
		SH 125	125	2000	→	F	220	105	4	4	10.5	125	R			
		SH i scooter	125	2005	→	2006	F	220	105	4	4	10.5	125	R		
		@ 150 NES	150	2000	→	F	220	105	4	4	10.5	125	R			
		@ NES (KF03/e4/0083) scooter	150	2001	→	F	220	105	4	4	10.5	125	R			
		DYLAN scooter	150	2002	→	F	220	105	4	4	10.5	125	R			
		PSi scooter	150	2006	→	F	220	105	4	4	10.5	125	R			
		SH (KF04/e3/0074) scooter	150	2001	→	2004	F	220	105	4	4	10.5	125	R		
		SH 150	150	2000	→	F	220	105	4	4	10.5	125	R			
		SH i scooter	150	2005	→	2006	F	220	105	4	4	10.5	125	R		
		FMD0059	HONDA	XRV R AFRICA TWIN (RD04/F371)	750	1990	→	1992	R	256	144	5	4	10.5	166	R
				XRV R AFRICA TWIN (RD07/G317)	750	1993	→	R	256	144	5	4	10.5	166	R	
				XLV VARADERO (SD01/e4/0009) (SD02/e9/0059)	1000	1999	→	2002	R	256	144	5	4	10.5	166	R
		FMD0073 FMD0075	HONDA BMW	CX 500	500	1982	→	1983	F	276	144.1	5	5	10.5	166	R
				R 850 C	850	1998	→	2001	R	276	174	5	5	10.5	198	R
		FMD0080	BMW	R 850 GS	850	1998	→	2007	R	276	174	5	5	10.5	198	R
R 850 R	850			1994	→	2001	R	276	174	5	5	10.5	198	R		
R 850 R	850			2002	→	2007	R	276	174	5	5	10.5	198	R		
R 850 RT	850			1995	→	2001	R	276	174	5	5	10.5	198	R		
R 850 RT Integral ABS	850			2001	→	2004	R	276	174	5	5	10.5	198	R		
R 1100	1100			1995	→	2001	R	276	174	5	5	10.5	198	R		
R 1100 GS	1100			1994	→	2001	R	276	174	5	5	10.5	198	R		
R 1100 RT	1100			1994	→	2001	R	276	174	5	5	10.5	198	R		
R 1100 S	1100			1999	→	2000	R	276	174	5	5	10.5	198	R		
R 1100 S	1100			2001	→	2006	R	276	174	5	5	10.5	198	R		
R 1100 S Boxer Cup Replika	1100			2003	→	2006	R	276	174	5	5	10.5	198	R		
R 1150 GS	1150			1999	→	2001	R	276	174	5	5	10.5	198	R		
R 1150 GS- ADVENTURE	1150			2002	→	2005	R	276	174	5	5	10.5	198	R		
R 1150 R (R21/E1/0041)	1150			2001	→	R	276	174	5	5	10.5	198	R			
R 1150 R ROCKSTER (R21/e1/00041)	1150			2003	→	R	276	174	5	5	10.5	198	R			
R 1150 RS (R22/e1/00101)	1150			2001	→	R	276	174	5	5	10.5	198	R			
R 1150 RT ABS (R22/e1/00101)	1150			2001	→	R	276	174	5	5	10.5	198	R			
R 45	450			1978	→	1986	F	260	145	5	10	13.8	158	R		
R 65	650			1978	→	1980	F	260	145	5	10	13.8	158	R		
R 65 LS	650			1982	→	1988	F	260	145	5	10	13.8	158	R		
R 65/1	650	1986	→	F	260	145	5	10	13.8	158	R					
PARIS DAKAR	800	1981	→	1987	F	260	145	5	10	13.8	158	R				
R 80 GS	800	1981	→	1987	F	260	145	5	10	13.8	158	R				
R 80 GS	800	1988	→	1990	F	260	145	5	10	13.8	158	R				
R 100	1000	1981	→	1989	F/R	260	145	5	10	13.8	158	R				
R 100 CS	1000	1981	→	1989	F	260	145	5	10	13.8	158	R				
R 100 RS	1000	1976	→	1980	F/R	260	145	5	10	13.8	158	R				
FMD0081	BMW	K 75	750	1984	→	1996	F	285	165	5	10	13.8	178	R		
		K 75 C	750	1985	→	1991	F	285	165	5	10	13.8	178	R		
		K 75 RT	750	1990	→	1996	F/R	285	165	5	10	13.8	178	R		
		K 75 S	750	1985	→	1996	F/R	285	165	5	10	13.8	178	R		
		R 80	800	1981	→	1993	F	285	165	5	10	13.8	178	R		
		R 80 GS Paris Dakar	800	1988	→	1994	F	285	165	5	10	13.8	178	R		
		R 80 R ROADSTER	800	1992	→	1993	F	285	165	5	10	13.8	178	R		
		R 80 RT	800	1985	→	1994	F	285	165	5	10	13.8	178	R		
		K 100	1000	1983	→	1989	F/R	285	165	5	10	13.8	178	R		
		K 100 LT ABS	1000	1990	→	1991	F/R	285	165	5	10	13.8	178	R		
		K 100 LT LIMITED	1000	1991	→	1992	F/R	285	165	5	10	13.8	178	R		
		K 100 RS	1000	1984	→	1989	F/R	285	165	5	10	13.8	178	R		

Front
Rear

Outside Dia (mm)

Inside Dia (mm)

Thickness (mm)

No. of Fixing hole

Fixing hole dia. (mm)

Fit. hole central diam (mm)

DISC TYPE

Code	Brand	Model	CC	Year	Front	Outside Dia (mm)	Inside Dia (mm)	Thickness (mm)	No. of Fixing hole	Fixing hole dia. (mm)	Fit. hole central diam (mm)	DISC TYPE		
...FMD0081		K 100 RS 16V	1000	1989 → 1993	R	285	165	5	10	13.8	178	R		
		K 100 RT	1000	1984 → 1989	F/R	285	165	5	10	13.8	178	R		
		K1	1000	1989 → 1993	R	285	165	5	10	13.8	178	R		
		R 100 GS	1000	1987 → 1994	F	285	165	5	10	13.8	178	R		
		R 100 GS MYSTIC	1000	1991 →	F	285	165	5	10	13.8	178	R		
		R 100 R	1000	1992 → 1996	F/R	285	165	5	10	13.8	178	R		
		R 100 R ROADSTER	1000	1992 → 1995	F	285	165	5	10	13.8	178	R		
		R 100 RT	1000	1991 → 1994	F	285	165	5	10	13.8	178	R		
		K 1100 LT	1100	1992 → 2000	R	285	165	5	10	13.8	178	R		
		K 1100 RS	1100	1993 → 1996	R	285	165	5	10	13.8	178	R		
		R 1100 RS	1100	1994 → 2001	R	285	165	5	10	13.8	178	R		
FMD0082	BMW	F 800 S	800	2006 → 2010	F	305	181	5	5	13.8x16.5	203.4	R		
		F 800 ST	800	2006 → 2011	F	305	181	5	5	13.8x16.5	203.4	R		
		R 850 C	850	1998 → 2001	F	305	181	5	5	13.8x16.5	203.4	R		
		R 850 GS	850	1998 → 2007	F	305	181	5	5	13.8x16.5	203.4	R		
		R 850 R	850	2002 → 2007	F	305	181	5	5	13.8x16.5	203.4	R		
		R 1100 GS	1100	1994 → 2001	F	305	181	5	5	13.8x16.5	203.4	R		
		R 1100 S	1100	1999 → 2000	F	305	181	5	5	13.8x16.5	203.4	R		
		R 1150 GS	1150	1999 → 2001	F	305	181	5	5	13.8x16.5	203.4	R		
		R 1150 GS- ADVENTURE	1150	2002 → 2005	F	305	181	5	5	13.8x16.5	203.4	R		
		HP2	1200	2006 →	F	305	181	5	5	13.8x16.5	203.4	R		
		K 1200 LT (BMW589/H646)	1200	1999 → 2000	F	305	181	5	5	13.8x16.5	203.4	R		
		K 1200 RS (BMW589/H646)	1200	1997 → 2000	F	305	181	5	5	13.8x16.5	203.4	R		
		R 1200 C (BMW259C/H733)	1200	1998 → 2000	F	305	181	5	5	13.8x16.5	203.4	R		
		R 1200 C CLASSIC	1200	2003 →	F	305	181	5	5	13.8x16.5	203.4	R		
		R 1200 CL (K30/e1/0195)	1200	2003 → 2006	F	305	181	5	5	13.8x16.5	203.4	R		
		R 1200 GS	1200	2004 → 2006	F	305	181	5	5	13.8x16.5	203.4	R		
		R 1200 GS ADVENTURE	1200	2006 →	F	305	181	5	5	13.8x16.5	203.4	R		
		R 850 RT Integral ABS	850	2001 → 2004	F	320	181	4.8/5	5	16.5x13.8	203.4	R		
		R 1100 S	1100	2001 → 2006	F	320	181	4.8/5	5	16.5x13.8	203.4	R		
		R 1100 S Boxer Cup Replika	1100	2003 → 2006	F	320	181	4.8/5	5	16.5x13.8	203.4	R		
		R 1150 R (R21/E1/0041)	1150	2001 →	F	320	181	4.8/5	5	16.5x13.8	203.4	R		
		R 1150 R ROCKSTER (R21/e1/00041)	1150	2003 →	F	320	181	4.8/5	5	16.5x13.8	203.4	R		
		R 1150 RS (R22/e1/00101)	1150	2001 →	F	320	181	4.8/5	5	16.5x13.8	203.4	R		
R 1150 RT ABS (R22/e1/00101)	1150	2001 →	F	320	181	4.8/5	5	16.5x13.8	203.4	R				
K 1200 GT ABS (K12/e1/0104)	1200	2002 →	F	320	181	4.8/5	5	16.5x13.8	203.4	R				
K 1200 LT ABS (K2LT/e1/00019)	1200	2001 →	F	320	181	4.8/5	5	16.5x13.8	203.4	R				
K 1200 R	1200	2005 →	F	320	181	4.8/5	5	16.5x13.8	203.4	R				
K 1200 RS (K12/e1/0104) (K12/e1/0196)	1200	2001 →	F	320	181	4.8/5	5	16.5x13.8	203.4	R				
K 1200 S	1200	2005 → 2006	F	320	181	4.8/5	5	16.5x13.8	203.4	R				
R 1200 R	1200	2006 → 2007	F	320	181	4.8/5	5	16.5x13.8	203.4	R				
R 1200 RT	1200	2005 → 2006	F	320	181	4.8/5	5	16.5x13.8	203.4	R				
R 1200 S	1200	2006 →	F	320	181	4.8/5	5	16.5x13.8	203.4	R				
R 1200 ST	1200	2005 → 2006	F	320	181	4.8/5	5	16.5x13.8	203.4	R				
FMD0085	HARLEY D.	XLH 883	883	1970 → 1984	F	292	50.5	5	5	8.5	82.5	RPF/RP/RF/R		
		XLH 883 SPORTSTER (XL2/C560/1)	883	1985 → 1986	F	292	50.5	5	5	8.5	82.5	RPF/RP/RF/R		
		XLH 883 SPORTSTER (XL2/C560/1)	883	1987 → 1999	F	292	50.5	5	5	8.5	82.5	RPF/RP/RF/R		
		XL 1000	1000	1978 →	F	292	50.5	5	5	8.5	82.5	RPF/RP/RF/R		
		XLS 1000 ROADSTER	1000	1979 → 1984	F	292	50.5	5	5	8.5	82.5	RPF/RP/RF/R		
		XLH 1200 SPORT	1200	1996 → 1999	F	292	50.5	5	5	8.5	82.5	RPF/RP/RF/R		
		XLH 1200 SPORTSTER (XL2/C560/1)	1200	1990 → 1999	F	292	50.5	5	5	8.5	82.5	RPF/RP/RF/R		
		FLH 1340 80	1340	1981 → 1984	F	292	50.5	5	5	8.5	82.5	RPF/RP/RF/R		
		FLH 1340 81	1340	1987 → 1999	F	292	50.5	5	5	8.5	82.5	RPF/RP/RF/R		
		FLH 1340 82	1340	1987 → 1999	F	292	50.5	5	5	8.5	82.5	RPF/RP/RF/R		
		FLH 1340 83	1340	1989 → 1999	F	292	50.5	5	5	8.5	82.5	RPF/RP/RF/R		
		FLSTC 1340 HERITAGE SOFTAIL CLASSIC	1340	1989 → 1999	F	292	50.5	5	5	8.5	82.5	RPF/RP/RF/R		
		FLSTC FAT BOY	1340	1989 → 1999	F	292	50.5	5	5	8.5	82.5	RPF/RP/RF/R		
		FXDWG DYNA WIDE GLIDE	1340	1993 → 1998	F	292	50.5	5	5	8.5	82.5	RPF/RP/RF/R		
		FXLR 1340 LOW RIDER CUSTOM	1340	1987 → 1999	F	292	50.5	5	5	8.5	82.5	RPF/RP/RF/R		
		FXR 1340 SUPER GLIDE (FXR/C456/1) (-/C456/1)	1340	1984 → 1999	F	292	50.5	5	5	8.5	82.5	RPF/RP/RF/R		
		FXRS 1340 LOW RIDER SPORT (FXR/C456/1)	1340	1987 → 1999	F	292	50.5	5	5	8.5	82.5	RPF/RP/RF/R		
		FXRT 1340 SPORT GLIDE (-/C456/1)	1340	1987 → 1999	F	292	50.5	5	5	8.5	82.5	RPF/RP/RF/R		
		FXSTC 1340 SOFTAIL CUSTOM (FXSTC/D312/0)	1340	1989 → 1999	F	292	50.5	5	5	8.5	82.5	RPF/RP/RF/R		
		FXSTS 1340 SPRINGER SOFTAIL (-/D312/0)	1340	1989 → 1999	F	292	50.5	5	5	8.5	82.5	RPF/RP/RF/R		
		FLHR/I ROAD KING	1450	1998 → 1999	F	292	50.5	5	5	8.5	82.5	RPF/RP/RF/R		
		FLHT/I ELECTRA GLIDE STANDARD	1450	1998 → 1999	F	292	50.5	5	5	8.5	82.5	RPF/RP/RF/R		
		FLTR/I ROAD GLIDE	1450	1998 → 1999	F	292	50.5	5	5	8.5	82.5	RPF/RP/RF/R		
		FXDS DYNA SUPER GLIDE SPORT	1450	1998 → 1999	F	292	50.5	5	5	8.5	82.5	RPF/RP/RF/R		
		FXDWG DYNA WIDE GLIDE	1450	1999 →	F	292	50.5	5	5	8.5	82.5	RPF/RP/RF/R		
		FMD0087	HONDA	CB S-G	350	1987 →	F	256	144	4	4	10.5	166	R
				CB S	450	1985 → 1989	F	256	144	4	4	10.5	166	R
				XLV TRANSALP (PD10/H6860)	600	1997 → 1999	F	256	144	4	4	10.5	166	R
				NX DOMINATOR	650	1998 →	F	256	144	4	4	10.5	166	R
				NX DOMINATOR (RD02/E851)	650	1993 → 1996	F	256	144	4	4	10.5	166	R
				NX DOMINATOR J-K (RD02/E851)	650	1988 → 1992	F	256	144	4	4	10.5	166	R
				XLV TRANSALP (RD10/e3/0017)	650	2000 →	F	256	144	4	4	10.5	166	R
				XR L	650	1993 → 1999	F	256	144	4	4	10.5	166	R
XL V TRANSALP	700			2008 → 2011	F	256	144	4	4	10.5	166	R		



CC

Front
Rear

Outside Dia (mm)

Inside Dia (mm)

Thickness (mm)

No. of Fixing hole

Fixing hole dia. (mm)

Fix. hole centreline diam (mm)

DISC TYPE

Code	Brand	Model	CC	Year	Front/Rear	Outside Dia (mm)	Inside Dia (mm)	Thickness (mm)	No. of Fixing hole	Fixing hole dia. (mm)	Fix. hole centreline diam (mm)	DISC TYPE
...FMD0087		XL V TRANSALP ABS	700	2008 → 2011	F	256	144	4	4	10.5	166	R
FMD0088	HONDA	XBR S (PC15/D861/0)	500	1985 → 1987	F	276	144	4	6	10.5	166	R
		XLV TRANSALP (PD06/E512)	600	1987 → 1990	F	276	144	4	6	10.5	166	R
		XLV TRANSALP (PD06/E512)	600	1991 → 1993	F	276	144	4	6	10.5	166	R
		XLV TRANSALP (PD06/E512)	600	1994 → 1996	F	276	144	4	6	10.5	166	R
		SLR (RD09/H569)	650	1997 →	F	276	144	4	6	10.5	166	R
FMD0089	CAGIVA	CANYON	500	1999 →	F	296	144	4	6	10.5	166	R
		CANYON (5G/H455)	600	1995 → 1999	F	296	144	4	6	10.5	166	R
	HONDA	XRV AFRICA TWIN (RD03/E867)	650	1988 → 1989	F	296	144	4	6	10.5	166	R
FMD0090	HONDA	CBR R	125	2004 → 2007	R	220	105	4	4	10.5	125	R
		XLV VARADERO (JC32/e9/0043)	125	2001 →	R	220	105	4	4	10.5	125	R
		CRM R	250	1992 →	R	220	105	4	4	10.5	125	R
		XR R	250	1991 → 1993	R	220	105	4	4	10.5	125	R
		XR R, S (ME06/EBE)	250	1994 →	R	220	105	4	4	10.5	125	R
		CB (CB 400 F) (NC27/-)	400	1989 → 1991	R	220	105	4	4	10.5	125	R
		XR R	400	1995 → 2005	R	220	105	4	4	10.5	125	R
		XR R	400	2006 → 2007	R	220	105	4	4	10.5	125	R
		XR SUPERMOTARD	400	2000 → 2005	R	220	105	4	4	10.5	125	R
		XR SUPERMOTARD	400	2006 → 2007	R	220	105	4	4	10.5	125	R
		XR R	440	2006 → 2007	R	220	105	4	4	10.5	125	R
		XR R	500	1983 → 1986	F	220	105	4	4	10.5	125	R
		CB F HORNET	600	1998 → 1999	R	220	105	4	4	10.5	125	R
		CB F HORNET (PC34/K016)	600	2000 → 2004	R	220	105	4	4	10.5	125	R
		CB F HORNET/ 599	600	2005 → 2006	R	220	105	4	4	10.5	125	R
		CBR F (PC25/F648)	600	1991 → 1994	R	220	105	4	4	10.5	125	R
		CBR F (PC31/H002)	600	1995 → 1998	R	220	105	4	4	10.5	125	R
		CBR F (PC35/K294)	600	1999 → 2000	R	220	105	4	4	10.5	125	R
		CBR F SPORT	600	2001 → 2002	R	220	105	4	4	10.5	125	R
		CBR F4 (PC35/K294)	600	2001 → 2006	R	220	105	4	4	10.5	125	R
		CBR RR	600	2005 → 2006	R	220	105	4	4	10.5	125	R
		CBR RR (PC37/e4/0190)	600	2003 → 2004	R	220	105	4	4	10.5	125	R
		XR R	600	1991 → 1993	R	220	105	4	4	10.5	125	R
		XR R	600	1994 → 1999	R	220	105	4	4	10.5	125	R
		CBR RR (SC28/G034)	900	1992 → 1993	R	220	105	4	4	10.5	125	R
		CBR RR (SC28/G034) (SC33/H294)	900	1994 → 1997	R	220	105	4	4	10.5	125	R
		CBR RR (SC44/e13/0019)	929	2000 → 2001	R	220	105	4	4	10.5	125	R
		CBR RR (SC50/e13/0052)	954	2002 → 2003	R	220	105	4	4	10.5	125	R
		VTR F FIRESTORM/ SUPER HAWK (SC36/H687)	1000	1997 →	R	220	105	4	4	10.5	125	R
		VTR SP1 RC51 (SC45/e4/0061)	1000	2000 → 2001	R	220	105	4	4	10.5	125	R
		VTR SP2 RC51 (SC45/e4/0061)	1000	2002 → 2004	R	220	105	4	4	10.5	125	R
	TRIUMPH	T955 DAYTONA (T595/H658)	955	2002 →	R	220	105	4	4	10.5	125	R
		T955 SPEED TRIPLE (T509/H682)	955	2002 → 2004	R	220	105	4	4	10.5	125	R
		SPEED TRIPLE ST	1050	2005 → 2006	R	220	105	4	4	10.5	125	R
FMD0091	HONDA	MTX R (HD09/E516/0)	80	1987 →	F	240	118	3	4	6.5	134	R
		CR R- CR E	125	1988 →	F	240	118	3	4	6.5	134	R
		CR R- CR E	125	1992 → 1993	F	240	118	3	4	6.5	134	R
		CR R- CR E	125	1994 →	F	240	118	3	4	6.5	134	R
		XL R (JD16/)	125	1998 →	F	240	118	3	4	6.5	134	R
		CR R- CR E	250	1988 →	F	240	118	3	4	6.5	134	R
		CR R- CR E	250	1992 → 1993	F	240	118	3	4	6.5	134	R
		CR R- CR E	250	1994 →	F	240	118	3	4	6.5	134	R
		CRM R	250	1992 →	F	240	118	3	4	6.5	134	R
		XL R	250	1988 → 1990	F	240	118	3	4	6.5	134	R
		XL R	250	1991 →	F	240	118	3	4	6.5	134	R
		XL R (MD11/D447)	250	1984 → 1987	F	240	118	3	4	6.5	134	R
		XR R	250	1984 → 1987	F	240	118	3	4	6.5	134	R
		XL R (ND03/D714)	350	1984 → 1988	F	240	118	3	4	6.5	134	R
		XL X	350	1989 →	F	240	118	3	4	6.5	134	R
		XR R	350	1984 → 1985	F	240	118	3	4	6.5	134	R
		CR R- CR E	500	1988 →	F	240	118	3	4	6.5	134	R
		CR R- CR E	500	1992 → 1993	F	240	118	3	4	6.5	134	R
		CR R- CR E	500	1994 →	F	240	118	3	4	6.5	134	R
FMD0093	CAGIVA	ELEFANT	750	1994 → 1995	F	296	144	5	6	10.5	166	R
		ELEFANT I.E.	900	1990 → 1992	F	296	144	5	6	10.5	166	R
		GRAN CANYON (M3/K325)	900	1999 → 2004	F	296	144	5	6	10.5	166	R
		NAVIGATOR (M5/e3/0032)	1000	2000 →	F	296	144	5	6	10.5	166	R
	HONDA	NEW LEAD	107	2008 →	F	296	144	5	6	10.5	166	R
		XELVIS V-25	250	1997 →	F	296	144	5	6	10.5	166	R
		CB (PC26/G555)	500	1993 → 1996	F	296	144	5	6	10.5	166	R
		CB (PC32/H418)	500	1997 → 2003	F	296	144	5	6	10.5	166	R
		CBF	500	2004 →	F	296	144	5	6	10.5	166	R
		CBF- CBF N	600	2004 → 2006	F	296	144	5	6	10.5	166	R
		NTV DEAUVILLE (RC47/e9/0073)	650	2001 →	F	296	144	5	6	10.5	166	R
		NTV DEAUVILLE (RC47/e9/0073)	650	2002 → 2005	F	296	144	5	6	10.5	166	R
		NTV DEAUVILLE (RC47/K027)	650	1998 → 2000	F	296	144	5	6	10.5	166	R
		NTV DEAUVILLE	680	2006 →	F	296	144	5	6	10.5	166	R
		CB F-F2-K	750	1981 → 1986	F	296	144	5	6	10.5	166	R
		CB N, F, SEVEN FIFTY (RC42/G035)	750	1992 →	F	296	144	5	6	10.5	166	R



Front
Rear

Outside Dia (mm)

Inside Dia (mm)

Thickness (mm)

No. of Fixing hole

Fixing hole dia. (mm)

Fix. hole centralise diam (mm)

DISC TYPE

...														
...FMD0093		VFR F (RC24/E159)	750	1988	→	1989	F	296	144	5	6	10.5	166	R
		VFR F-FL-FM-FK	750	1990	→	1993	F	296	144	5	6	10.5	166	R
		VT C2 SHADOW A.C.E. (RC44/H714)	750	1997	→		F	296	144	5	6	10.5	166	R
		VT SHADOW	750	2004	→		F	296	144	5	6	10.5	166	R
		CBR F (SC21/E513)	1000	1987	→	1988	F	296	144	5	6	10.5	166	R
		CBR F (SC24/F143)	1000	1989	→	1992	F	296	144	5	6	10.5	166	R
		CBR F, FP (SC24/F143)	1000	1993	→		F	296	144	5	6	10.5	166	R
		ST PAN EUROPEAN	1100	1990	→	1991	F	296	144	5	6	10.5	166	R
		ST PAN EUROPEAN ABS-TCS-CBS (SC26/F440)	1100	1996	→	2001	F	296	144	5	6	10.5	166	R
FMD0096	HONDA	NTV DEAUVILLE (RC47/e9/0073)	650	2001	→		R	276	144	5	6	10.5	166	R
		NTV DEAUVILLE (RC47/e9/0073)	650	2002	→	2005	R	276	144	5	6	10.5	166	R
		NTV DEAUVILLE (RC47/K027)	650	1998	→	2000	R	276	144	5	6	10.5	166	R
		NTV DEAUVILLE	680	2006	→		R	276	144	5	6	10.5	166	R
		CB X F1-F2	750	1983	→	1987	R	276	144	5	6	10.5	166	R
		PACIFIC COAST	800	1989	→		F	276	144	5	6	10.5	166	R
		CB F (Big One) (SC30/G341)	1000	1993	→		R	276	144	5	6	10.5	166	R
		CBR F (SC21/E513)	1000	1987	→	1988	R	276	144	5	6	10.5	166	R
		CBR F (SC24/F143)	1000	1989	→	1992	R	276	144	5	6	10.5	166	R
		VT SHADOW ACE-AERO-C2-C3	1100	1995	→	1998	R	276	144	5	6	10.5	166	R
		CB	1284	2001	→	2002	R	276	144	5	6	10.5	166	R
		CB SF (SC14/D342)	1284	1998	→	2000	R	276	144	5	6	10.5	166	R
		CB X-4 (SC38/EBE)	1284	1997	→		R	276	144	5	6	10.5	166	R
FMD0097	HONDA	BALI SJ	50	1993	→	1997	F	190	58.2	4	3	10	79.5	R
		YUPI	50	1990	→		F	190	58.2	4	3	10	79.5	R
		BALI SJ	100	1996	→		F	190	58.2	4	3	10	79.5	R
		CH SPACY	125	1998	→		F	190	58.2	4	3	10	79.5	R
	MBK	CW 50 RS BOOSTER NG	50	1999	→	2003	F	190	58.2	4	3	10	79.5	R
		EW 50 STUNT	50	2000	→	2002	F	190	58.2	4	3	10	79.5	R
		YQ 50 NITRO	50	1997	→	2003	F/R	190	58.2	4	3	10	79.5	R
		YQ 100 NITRO	100	2000	→	2002	F	190	58.2	4	3	10	79.5	R
	PGO	PMS	50	1999	→		F	190	58.2	4	3	10	79.5	R
		T REX	50	1999	→		F	190	58.2	4	3	10	79.5	R
		PMS	110	1999	→		F	190	58.2	4	3	10	79.5	R
		T REX	110	1999	→		F	190	58.2	4	3	10	79.5	R
	YAMAHA	AEROX 50 LC	50	1997	→		F/R	190	58.2	4	3	10	79.5	R
		JOG R	50	2002	→	2005	F	190	58.2	4	3	10	79.5	R
		JOG R	50	2006	→	2011	F	190	58.2	4	3	10	79.5	R
		NEO'S	50	2007	→	2012	F	190	58.2	4	3	10	79.5	R
		SLIDER	50	1999	→		F/R	190	58.2	4	3	10	79.5	R
		AEROX	100	2000	→	2002	F/R	190	58.2	4	3	10	79.5	R
FMD0098	HONDA	GL GOLD WING (SC02/B648)	1100	1982	→	1983	F/R	296	184.5	6	6	10.5	206	R
		GL GOLD WING (SC22/E931)	1500	1988	→	1989	F	296	184.5	6	6	10.5	206	R
		GLX SE	1500	1990	→	2000	F	296	184.5	6	6	10.5	206	R
FMD0100	KTM	SX	65	1998	→	2001	F	200	88	3	3	6.5	105	R
		SX	65	2002	→	2003	F	200	88	3	3	6.5	105	R
		SX	65	2004	→	2006	F	200	88	3	3	6.5	105	R
		MX	80	2000	→	2002	F	200	88	3	3	6.5	105	R
FMD0101	KAWASAKI	ZX	400	1988	→	1989	F	270	130	5	6	10.5	150	R
		GPZ S	500	1993	→		F	270	130	5	6	10.5	150	R
		GPZ S (EX500A/E444)	500	1989	→	1992	F	270	130	5	6	10.5	150	R
		GPZ R (ZX600A/D753)	600	1985	→	1988	F	270	130	5	6	10.5	150	R
		ZX C1-C10 NINJA R	600	1988	→	1990	F	270	130	5	6	10.5	150	R
		GPZ R (ZX750G/D608)	750	1985	→	1987	F	270	130	5	6	10.5	150	R
		GPZ UNITRAK	750	1983	→	1984	F	270	130	5	6	10.5	150	R
		Z E1-E1L-TURBO	750	1984	→	1986	R	270	130	5	6	10.5	150	R
		GPZ NINJA	900	1984	→	1986	R	270	130	5	6	10.5	150	R
		GPZ R (ZX900A/D363/0)	900	1984	→	1989	R	270	130	5	6	10.5	150	R
		ZL ELIMINATOR	900	1985	→	1987	R	270	130	5	6	10.5	150	R
		GTR (ZGT00A/E098)	1000	1986	→	1993	F	270	130	5	6	10.5	150	R
		ZL (ZLT00A/E394)	1000	1986	→	1988	R	270	130	5	6	10.5	150	R
FMD0103	KAWASAKI	KLR	570	1985	→	1991	F	250	130	4	9	10.5	146	R
		KLR E (KL600A/B/D317/0)	600	1985	→	1989	F	250	130	4	9	10.5	146	R
		KLR S	600	1990	→	1992	F	250	130	4	9	10.5	146	R
FMD0104	KAWASAKI	EL	250	1990	→		F	260	130	5	6	10.5	150	R
		EX R NINJA	250	1986	→	1987	F	260	130	5	6	10.5	150	R
		ZX	400	1988	→	1989	R	260	130	5	6	10.5	150	R
		GPZ TURBO	750	1983	→	1985	R	260	130	5	6	10.5	150	R
		GPZ UNITRAK	750	1983	→	1984	R	260	130	5	6	10.5	150	R
		GPX RX	1000	1986	→	1989	R	260	130	5	6	10.5	150	R
FMD0105	KAWASAKI	KLE A1-A4 (LE500A/F670)	500	1991	→	2006	F	300	130	5	9	10.5	146	R
FMD0107	KAWASAKI	KX	65	2000	→	2006	F/R	180	79	3	4	9.5	95	R
	SUZUKI	RM	65	2003	→	2005	F/R	180	79	3	4	9.5	95	R
FMD0110	MBK	SKYLINER (SE06/e9/0046) scooter	125	2001	→		F	220	54	4	4	10.6	76	R
		SKYLINER scooter	125	1998	→	2000	F	220	54	4	4	10.6	76	R
		SKYLINER scooter	150	1998	→	2001	F	220	54	4	4	10.6	76	R
		SKYLINER scooter	150	2002	→		F	220	54	4	4	10.6	76	R
		SKYLINER scooter	180	2003	→		F	220	54	4	4	10.6	76	R
	YAMAHA	YP MAJESTY (SE02/K129) scooter	125	1998	→	2001	F	220	54	4	4	10.6	76	R



Front
Rear

Front	Outside Dia (mm)	Inside Dia (mm)	Thickness (mm)	No. of Fixing hole	Fixing hole dia. (mm)	Fix. hole centreline diam (mm)	DISC TYPE					
...	FMD0110	YP MAJESTY (SE06/e9/0046) scooter	125	2002 →	F	220	54	4	4	10.6	76	R
		YP MAJESTY (SG08/EBE) scooter	150	2001 →	F	220	54	4	4	10.6	76	R
		YP MAJESTY scooter	150	1998 → 2000	F	220	54	4	4	10.6	76	R
		YP MAJESTY (SG12/e9/0125) scooter	180	2003 → 2006	F	220	54	4	4	10.6	76	R
FMD0111	APRILIA	AF1 FUTURA	125	1990 → 1992	F	320	64	5	6	8.5	80	RX
		MX	125	2004 → 2007	F	320	64	5	6	8.5	80	RX
		RS	125	1998 → 2011	F	320	64	5	6	8.5	80	RX
		RS EXTREMA	125	1992 → 1997	F	320	64	5	6	8.5	80	RX
		RS REPLICA	125	1992 → 1997	F	320	64	5	6	8.5	80	RX
		TUONO	125	2004 → 2005	F	320	64	5	6	8.5	80	RX
		PEGASO STRADA	650	2005 → 2009	F	320	64	5	6	8.5	80	RX
		DORSODURO	750	2008 → 2010	F	320	64	5	6	8.5	80	RX
		DORSODURO FACTORY	750	2010 → 2011	F	320	64	5	6	8.5	80	RX
		SHIVER GT	750	2009 →	F	320	64	5	6	8.5	80	RX
		SL SHIVER	750	2007 → 2010	F	320	64	5	6	8.5	80	RX
		MANA	850	2007 → 2011	F	320	64	5	6	8.5	80	RX
		MANA GT	850	2009 → 2012	F	320	64	5	6	8.5	80	RX
		RSV	1000	1998 → 2000	F	320	64	5	6	8.5	80	RX
		RSV R	1000	2000 →	F	320	64	5	6	8.5	80	RX
		RSV SP	1000	1999 → 2000	F	320	64	5	6	8.5	80	RX
		SL 1000 FALCO	1000	2000 → 2004	F	320	64	5	6	8.5	80	RX
		TUONO FIGHTER	1000	2002 → 2005	F	320	64	5	6	8.5	80	RX
		TUONO R (2 pads per caliper)	1000	2003 → 2009	F	320	64	5	6	8.5	80	RX
	BENELLI	CENTURY RACER	899	2011 →	F	320	64	5	6	8.5	80	RX
		TRE K	899	2011 →	F	320	64	5	6	8.5	80	RX
		TORNADO TRE	900	2001 → 2002	F	320	64	5	6	8.5	80	RX
		TNT	1100	2004 →	F	320	64	5	6	8.5	80	RX
		CAFE RACER	1130	2011 →	F	320	64	5	6	8.5	80	RX
		CENTURY RACER	1130	2011 →	F	320	64	5	6	8.5	80	RX
		TNT	1130	2004 → 2006	F	320	64	5	6	8.5	80	RX
		TNT R160	1130	2011 →	F	320	64	5	6	8.5	80	RX
		TRE K	1130	2011 →	F	320	64	5	6	8.5	80	RX
	BIMOTA	YB7	400	1989 →	F	320	64	5	6	8.5	80	RX
		V-DUE	500	1997 → 2000	F	320	64	5	6	8.5	80	RX
		YB9	600	1997 → 2000	F	320	64	5	6	8.5	80	RX
		BB1 SUPERMONO	650	1996 → 2000	F	320	64	5	6	8.5	80	RX
		TESI 1D 851	851	1990 → 1991	F	320	64	5	6	8.5	80	RX
		DB2 SR	904	1993 → 2000	F	320	64	5	6	8.5	80	RX
		DB3 MANTRA	904	1995 → 2000	F	320	64	5	6	8.5	80	RX
		DB4	904	1998 → 1999	F	320	64	5	6	8.5	80	RX
		DIECI BIPOSTO	1000	1992 → 1995	F	320	64	5	6	8.5	80	RX
		SB8K GOBERT	1000	2006 →	F	320	64	5	6	8.5	80	RX
		SB8R	1000	1997 → 2000	F	320	64	5	6	8.5	80	RX
		SB6	1100	1996 → 2000	F	320	64	5	6	8.5	80	RX
		SB6R	1100	1998 → 2000	F	320	64	5	6	8.5	80	RX
	BMW	G 650 X Moto	650	2007 → 2009	F	320	64	5	6	8.5	80	RX
	CAGIVA	MITO	125	1991 → 1992	F	320	64	5	6	8.5	80	RX
		MITO	125	1993 → 1994	F	320	64	5	6	8.5	80	RX
		MITO 525	125	2006 → 2007	F	320	64	5	6	8.5	80	RX
		MITO EV	125	1995 → 2007	F	320	64	5	6	8.5	80	RX
		PLANET (N1/EBE)	125	1997 → 2007	F	320	64	5	6	8.5	80	RX
		RAPTOR	125	2004 → 2006	F	320	64	5	6	8.5	80	RX
		SUPERCITY	125	1992 →	F	320	64	5	6	8.5	80	RX
		RIVER	600	1995 →	F	320	64	5	6	8.5	80	RX
	DUCATI	JUNIOR SS	350	1991 → 1992	F	320	64	5	6	8.5	80	RX
		M MONSTER (M3/e1/00025)	400	2001 → 2006	F	320	64	5	6	8.5	80	RX
		SS SUPERSPORT	400	1992 → 1997	F	320	64	5	6	8.5	80	RX
		SS SUPERSPORT JUNIOR	400	1992 → 1997	F	320	64	5	6	8.5	80	RX
		M MONSTER (M/G802/0)	600	1994 → 1999	F	320	64	5	6	8.5	80	RX
		M MONSTER (M3/e1/00025)	600	2000 → 2002	F	320	64	5	6	8.5	80	RX
		SS SUPERSPORT (S/G801/0)	600	1994 → 1997	F	320	64	5	6	8.5	80	RX
		M MONSTER (M4/e3/0030)	620	2002 → 2004	F	320	64	5	6	8.5	80	RX
		M MONSTER single disk	620	2005 → 2006	F	320	64	5	6	8.5	80	RX
		MULTISTRADA single disk	620	2005 → 2006	F	320	64	5	6	8.5	80	RX
		SPORT (V5/e3/0142)	620	2003 → 2004	F	320	64	5	6	8.5	80	RX
		SS SUPERSPORT	620	2004 →	F	320	64	5	6	8.5	80	RX
		MONSTER	696	2008 → 2012	F	320	64	5	6	8.5	80	RX
		MONSTER ABS	696	2010 → 2012	F	320	64	5	6	8.5	80	RX
		748 BIPOSTO	748	1998 → 2002	F	320	64	5	6	8.5	80	RX
		748 BIPOSTO (748/H199)	748	1995 → 1997	F	320	64	5	6	8.5	80	RX
		748 R (ZDM748S/EBE)	748	2000 →	F	320	64	5	6	8.5	80	RX
		748 S (ZDM748S/EBE)	748	1999 → 2002	F	320	64	5	6	8.5	80	RX
		748 SP (ZDM748S/EBE)	748	1995 → 1997	F	320	64	5	6	8.5	80	RX
		748 SPS (748/H199)	748	1998 → 1999	F	320	64	5	6	8.5	80	RX
		M MONSTER (M/G802)	750	2000 → 2001	F	320	64	5	6	8.5	80	RX
		M MONSTER (M/G8020)	750	1996 → 1999	F	320	64	5	6	8.5	80	RX
		SPORT (ZDM750S/EBE)	750	2000 → 2002	F	320	64	5	6	8.5	80	RX
		SS SUPERSPORT (S/G801/0)	750	1991 → 1999	F	320	64	5	6	8.5	80	RX

Front
Rear

					Outside Dia (mm)	Inside Dia (mm)	Thickness (mm)	No. of Fixing hole	Fixing hole dia. (mm)	Fix. hole centreline diam (mm)	DISC TYPE	
...	FMD0111	SS SUPERSPORT (V2/e1/00026)	750	2000 → 2002	F	320	64	5	6	8.5	80	RX
		M MONSTER (M4/e3/0030)	800	2003 → 2004	F	320	64	5	6	8.5	80	RX
		SPORT (V5/e3/0142)	800	2003 → 2004	F	320	64	5	6	8.5	80	RX
		SS SUPERSPORT (V5/e3/0142)	800	2003 → 2004	F	320	64	5	6	8.5	80	RX
		851 STRADA - SP	851	1990 → 1991	F	320	64	5	6	8.5	80	RX
		888 DESMOQUATTRO	888	1993 → 1994	F	320	64	5	6	8.5	80	RX
		888 SP	888	1990 → 1993	F	320	64	5	6	8.5	80	RX
		M MONSTER (M/G802)	900	2000 → 2001	F	320	64	5	6	8.5	80	RX
		M MONSTER (M/G802/0)	900	1993 → 1999	F	320	64	5	6	8.5	80	RX
		M MONSTER i.e. (M2/e1/00051)	900	2002 →	F	320	64	5	6	8.5	80	RX
		SL SUPERLIGHT	900	1992 → 1996	F	320	64	5	6	8.5	80	RX
		SPORT	900	2002 →	F	320	64	5	6	8.5	80	RX
		SS SUPERSPORT	900	1991 → 1997	F	320	64	5	6	8.5	80	RX
		SS SUPERSPORT (V1/E1.92/61.00004.00)	900	1998 → 2002	F	320	64	5	6	8.5	80	RX
		916 BIPOSTO (916/G846)	916	1994 → 1998	F	320	64	5	6	8.5	80	RX
		916 SPS (916/G684)	916	1997 → 1998	F	320	64	5	6	8.5	80	RX
		S4 MONSTER (M4/e3/0030)	916	2001 → 2003	F	320	64	5	6	8.5	80	RX
		ST4 (S2/E1.92/61.00013.00)	916	1999 → 2004	F	320	64	5	6	8.5	80	RX
		ST2 (S1/H965)	944	1997 → 2003	F	320	64	5	6	8.5	80	RX
		ST3	992	2004 → 2006	F	320	64	5	6	8.5	80	RX
		996 BIPOSTO	996	1999 → 2001	F	320	64	5	6	8.5	80	RX
		996 S	996	2001 →	F	320	64	5	6	8.5	80	RX
		S4R MONSTER	996	2003 → 2006	F	320	64	5	6	8.5	80	RX
		ST4 S (S2/e1/00013)	996	2001 → 2006	F	320	64	5	6	8.5	80	RX
		998 BIPOSTO	998	2002 → 2003	F	320	64	5	6	8.5	80	RX
		998 S (two pads) (H2/e1/00012)	998	2002 → 2003	F	320	64	5	6	8.5	80	RX
		GT	1000	2006 → 2007	F	320	64	5	6	8.5	80	RX
		M MONSTER (M4/e3/0030)	1000	2003 → 2005	F	320	64	5	6	8.5	80	RX
		MONSTER S2R	1000	2006 → 2007	F	320	64	5	6	8.5	80	RX
		PAUL SMART LE	1000	2006 → 2007	F	320	64	5	6	8.5	80	RX
		S2R MONSTER	1000	2006 →	F	320	64	5	6	8.5	80	RX
		SPORT	1000	2006 → 2007	F	320	64	5	6	8.5	80	RX
		SPORT S	1000	2007 →	F	320	64	5	6	8.5	80	RX
		SS SUPERSPORT DS (V5/e3/0142)	1000	2003 → 2006	F	320	64	5	6	8.5	80	RX
		ST3	1000	2004 → 2006	F	320	64	5	6	8.5	80	RX
		ST3 S ABS	1000	2006 → 2007	F	320	64	5	6	8.5	80	RX
	GILERA	GFR	125	1993 → 1994	F	320	64	5	6	8.5	80	RX
	KTM	DUKE II (KTM DKII/e1/00048)	640	2003 → 2006	F	320	64	5	6	8.5	80	RX
	LAVERDA	GHOST (ZLVSPA/EBE)	650	1996 → 1997	F	320	64	5	6	8.5	80	RX
		SPORT	650	1995 → 2001	F	320	64	5	6	8.5	80	RX
		S FORMULA (ZLVSTA/EBE)	750	1998 → 2001	F	320	64	5	6	8.5	80	RX
		STRIKE	750	1998 → 2001	F	320	64	5	6	8.5	80	RX
	MOTO GUZZI	BREVA (LL/e11/0081)	750	2003 → 2007	F	320	64	5	6	8.5	80	RX
		NEVADA (LK/e3/0010)	750	2003 →	F	320	64	5	6	8.5	80	RX
		BREVA	850	2006 →	R	320	64	5	6	8.5	80	RX
		GRISO	850	2006 →	F	320	64	5	6	8.5	80	RX
		NORGE T-GTL	850	2007 →	F	320	64	5	6	8.5	80	RX
		DAYTONA IE	1000	1995 →	F	320	64	5	6	8.5	80	RX
		V10 CENTAURO (KK/H601)	1000	1996 → 2001	F	320	64	5	6	8.5	80	RX
		BREVA	1100	2005 → 2006	F	320	64	5	6	8.5	80	RX
		CALIFORNIA EV	1100	1997 →	F	320	64	5	6	8.5	80	RX
		CALIFORNIA EV SPECIAL (KD/e11/00033)	1100	1997 →	F	320	64	5	6	8.5	80	RX
		CALIFORNIA JACKAL (KD/e11/00033)	1100	2001 →	F	320	64	5	6	8.5	80	RX
		GRISO	1100	2005 → 2007	F	320	64	5	6	8.5	80	RX
		SPORT (KE/H652)	1100	1996 →	F	320	64	5	6	8.5	80	RX
		V10 CENTAURO SPORT	1100	1999 →	F	320	64	5	6	8.5	80	RX
		V11 LE MANS (KR/e3/0007)	1100	2000 → 2005	F	320	64	5	6	8.5	80	RX
		V11 SPORT (KR/e3/0007)	1100	1997 → 2000	F	320	64	5	6	8.5	80	RX
		BREVA	1200	2008 → 2009	F	320	64	5	6	8.5	80	RX
		BREVA ABS	1200	2008 → 2009	F	320	64	5	6	8.5	80	RX
		GRISO 8 V	1200	2007 →	F	320	64	5	6	8.5	80	RX
		NORGE T-GTL	1200	2006 →	F	320	64	5	6	8.5	80	RX
		SPORT	1200	2006 → 2007	F	320	64	5	6	8.5	80	RX
		SPORT 8V	1200	2008 → 2010	F	320	64	5	6	8.5	80	RX
		STELVIO	1200	2008 → 2009	F	320	64	5	6	8.5	80	RX
	MOTO MORINI	9,5	1200	2006 →	F	320	64	5	6	8.5	80	RX
		CORSARO	1200	2005 → 2006	F	320	64	5	6	8.5	80	RX
	MZ	1000 S	1000	2001 → 2002	F	320	64	5	6	8.5	80	RX
		1000 S	1000	2003 →	F	320	64	5	6	8.5	80	RX
	VOXAN	BLACK MAGIC	995	2006 →	F	320	64	5	6	8.5	80	RX
		CAFE RACER	995	2000 → 2006	F	320	64	5	6	8.5	80	RX
		ROADSTER	995	2001 → 2006	F	320	64	5	6	8.5	80	RX
	YAMAHA	TDR (Italian model)	125	1989 →	F	320	64	5	6	8.5	80	RX
		TZR	125	1989 → 1992	F	320	64	5	6	8.5	80	RX
		FZX ZEAL	250	1991 →	F	320	64	5	6	8.5	80	RX
		TDR	250	1989 → 1992	F	320	64	5	6	8.5	80	RX
		TZR (2MA/E508)	250	1989 → 1992	F	320	64	5	6	8.5	80	RX
		SRX	400	1991 →	F	320	64	5	6	8.5	80	RX



CC

Front
Rear

Outside Dia (mm)

Inside Dia (mm)

Thickness (mm)

No. of Fixing hole

Fixing hole dia. (mm)

Fix. hole centreline diam (mm)

DISC TYPE

Code	Brand	Model	CC	Year	Front/Rear	Outside Dia (mm)	Inside Dia (mm)	Thickness (mm)	No. of Fixing hole	Fixing hole dia. (mm)	Fix. hole centreline diam (mm)	DISC TYPE
...FMD0130		CBR RR (SC50/e13/0052)	954	2002 → 2003	F	330	94	5	6	6.5	110	RX
FMD0131	HONDA	CB X-11 (SC42/EBE)	1100	2000 → 2003	F	310	62	5	6	6.5	78	RX
		CBR XX SUPER BLACKBIRD (SC35/H541)	1100	1999 →	F	310	62	5	6	6.5	78	RX
		X ELEVEN	1100	2000 → 2003	F	310	62	5	6	6.5	78	RX
		CB	1284	2001 → 2002	F	310	62	5	6	6.5	78	RX
FMD0132	APRILIA	RS REPLICA	250	1995 → 2003	F	300	61	5	6	8.5	80	RX
	CAGIVA	RAPTOR	650	2001 → 2007	F	300	61	5	6	8.5	80	RX
		RAPTOR (M2/e3/0018)	1000	2000 → 2006	F	300	61	5	6	8.5	80	RX
		V-RAPTOR	1000	2000 → 2006	F	300	61	5	6	8.5	80	RX
		XTRA-RAPTOR	1000	2002 → 2004	F	300	61	5	6	8.5	80	RX
FMD0134	HONDA	CBR F SPORT	600	2001 → 2002	F	296	94	5	6	6.5	110	RX
		CBR F4 (PC35/K294)	600	2001 → 2006	F	296	94	5	6	6.5	110	RX
		CB F HORNET/ 919	900	2002 → 2006	F	296	94	5	6	6.5	110	RX
FMD0135	HONDA	CBR RR	1000	2006 → 2007	F	320	94	5	6	6.5	110	RX
		VTR SP1 RC51 (SC45/e4/0061)	1000	2000 → 2001	F	320	94	5	6	6.5	110	RX
		VTR SP2 RC51 (SC45/e4/0061)	1000	2002 → 2004	F	320	94	5	6	6.5	110	RX
FMD0136	BUELL	M2- S1- S3- S3T (EB1/H657)	1200	1998 → 2002	F	340	60.5	5	5	8.5	82.5	RX
FMD0137	HONDA	CB F HORNET (PC34/K016)	600	2000 → 2004	F	296	58	5	6	6.5	74	RX
		CB F HORNET/ 599	600	2005 → 2006	F	296	58	5	6	6.5	74	RX
FMD0139	YAMAHA	FZ6 S2	600	2007 →	F	300	132	5	5	8.5	150	RX
		FZ6- FAZER (RJ07/e13/0072)	600	2004 → 2007	F	300	132	5	5	8.5	150	RX
		XJ6	600	2009 → 2011	F	300	132	5	5	8.5	150	RX
		XJ6 DIVERSION	600	2009 → 2011	F	300	132	5	5	8.5	150	RX
		YZF R6 (RJ05/e13/0060)	600	2003 → 2004	F	300	132	5	5	8.5	150	RX
FMD0140	HONDA	CBR RR	600	2005 → 2006	F	310	94	5	6	6.5	110	RX
		CBR RR	600	2007 →	F	310	94	5	6	6.5	110	RX
		CBR RR (PC37/e4/0190)	600	2003 → 2004	F	310	94	5	6	6.5	110	RX
		CB 1000 R	1000	2008 → 2012	F	310	94	5	6	6.5	110	RX
		CB 1000 R - ABS	1000	2009 → 2012	F	310	94	5	6	6.5	110	RX
		CBR RR (SC57/e4/0269)	1000	2004 → 2005	F	310	94	5	6	6.5	110	RX
		CB	1284	2003 →	F	310	94	5	6	6.5	110	RX
FMD0143	HUSABERG	FS E- C	450	2003 → 2004	F	320	127	5	6	6.5	143	RX
	KTM	STING	125	1998 →	F	320	127	5	6	6.5	143	RX
		SMR	450	2004 →	F	320	127	5	6	6.5	143	RX
		SMR	525	2004 →	F	320	127	5	6	6.5	143	RX
		DUKE	620	1995 → 1998	F	320	127	5	6	6.5	143	RX
		EGS-LC4	620	1996 → 2002	F	320	127	5	6	6.5	143	RX
		LC4 SC SUPERMOTO	625	2002 → 2004	F	320	127	5	6	6.5	143	RX
		SMC	625	2005 → 2007	F	320	127	5	6	6.5	143	RX
		DUKE II (KTM DKII/e1/00048)	640	1999 → 2002	F	320	127	5	6	6.5	143	RX
		LC4 ADVENTURE	640	2001 → 2003	F	320	127	5	6	6.5	143	RX
		LC4 ENDURO (KTM-4T-EGS/e1/00007)	640	1999 → 2007	F	320	127	5	6	6.5	143	RX
		LC4 SUPERMOTO	640	2000 → 2002	F	320	127	5	6	6.5	143	RX
		LC4 SUPERMOTO	640	2003 →	F	320	127	5	6	6.5	143	RX
		LC4 SUPERMOTO	640	2004 → 2007	F	320	127	5	6	6.5	143	RX
		SMC (4T-SC/e12/0001)	660	2003 →	F	320	127	5	6	6.5	143	RX
		SMC (4T-SC/e12/0001)	660	2004 → 2007	F	320	127	5	6	6.5	143	RX
		SUPERMOTO (cerchi raggi)	690	2007 →	F	320	127	5	6	6.5	143	RX
FMD0146	TRIUMPH	T955 DAYTONA (T595/H658)	955	2002 →	F	320	78	5	5	10.5	100.5	RX
		T955 SPEED TRIPLE (T509/H682)	955	2002 → 2004	F	320	78	5	5	10.5	100.5	RX
		T1050 SPRINT ST	1050	2005 → 2006	F	320	78	5	5	10.5	100.5	RX
FMD0147	DUCATI	748 R (H3/e1/00037)	748	2001 → 2002	F	320	64	5	6	8.5	80	RX
		996 R (H2/e1/00012)	996	2001 →	F	320	64	5	6	8.5	80	RX
		996 SPS (H2/E1.92/61.00012.00)	996	1999 → 2000	F	320	64	5	6	8.5	80	RX
		998 R (H2/e1/00012)	999	2002 → 2003	F	320	64	5	6	8.5	80	RX
FMD0148	SUZUKI	DR DJEBEL	650	1990 →	F	280	121	4	4	10.5	142	R
		DR R/RS	650	1990 → 1991	F	280	121	4	4	10.5	142	R
		DR BIG (SR41B/E777)	750	1988 → 1989	F	280	121	4	4	10.5	142	R
		DR BIG S (SR41B/E777)	750	1987 → 1988	F	280	121	4	4	10.5	142	R
		DR S, BIG (SR42B/F346)	800	1989 → 1990	F	280	121	4	4	10.5	142	R
FMD0149	SUZUKI	DR SE T-W (SP46B/H1690)	650	1996 →	F	290	121	5	6	8.5	142	RF
FMD0150	SUZUKI	VX	800	1994 →	F	310	174	5	5	10.5	215	RF
		VX L-P (VS51B/F399)	800	1990 → 1993	F	310	174	5	5	10.5	215	RF
FMD0151	SUZUKI	RM	80	1990 → 1995	F	200	100	3.2	3	6	116	R
		RM	80	1996 → 2001	F	200	100	3.2	3	6	116	R
		RM	85	2002 → 2004	F	200	100	3.2	3	6	116	R
FMD0154	YAMAHA	TDR (Japanese model)	125	1989 →	F	282	132	5	6	8.5	150	R
		XV VIRAGO	125	1997 →	F	282	132	5	6	8.5	150	R
		XVS DRAG STAR	125	1999 → 2001	F	282	132	5	6	8.5	150	R
		XVS VIRAGO	125	1998 →	F	282	132	5	6	8.5	150	R
		SRV	250	1992 →	F	282	132	5	6	8.5	150	R
		XV VIRAGO	250	1995 → 2007	F	282	132	5	6	8.5	150	R
		XVS DRAG STAR	250	2001 →	F	282	132	5	6	8.5	150	R
		GTS	1000	1993 → 1996	R	282	132	5	6	8.5	150	R
		FJ	1100	1984 → 1985	R	282	132	5	6	8.5	150	R
		XVS DRAG STAR	1100	1999 → 2006	R	282	132	5	6	8.5	150	R
		FJ	1200	1986 → 1989	R	282	132	5	6	8.5	150	R
		FJ	1200	1990 → 1993	R	282	132	5	6	8.5	150	R



Front
Rear

Outside Dia (mm)

Inside Dia (mm)

Thickness (mm)

No. of Fixing hole

Fixing hole dia. (mm)

Fix. hole centralise diam (mm)

DISC TYPE

...	FMD0154																	
		FJ ABS	1200	1991	→	1993	R	282	132	5	6	8.5	150	R				
		V MAX	1200	1986	→	1992	R	282	132	5	6	8.5	150	R				
		V MAX	1200	1993	→	2006	R	282	132	5	6	8.5	150	R				
		FJR	1300	2003	→		R	282	132	5	6	8.5	150	R				
		FJR	1300	2004	→	2009	R	282	132	5	6	8.5	150	R				
	FMD0155	YAMAHA	125	1997	→	2002	F	267	132	5	6	8.5	150	R				
		RD LC	350	1985	→		F/R	267	132	5	6	8.5	150	R				
		RD LC	350	1986	→	1993	F/R	267	132	5	6	8.5	150	R				
		RD LC (47X/D467)	500	1984	→	1988	F	267	132	5	6	8.5	150	R				
		XP T-MAX	500	2004	→	2007	R	267	132	5	6	8.5	150	R				
		XP T-MAX (SJ01/e13/0040) scooter	500	2001	→	2003	R	267	132	5	6	8.5	150	R				
		XJ (51J/D399)	600	1983	→	1991	F/R	267	132	5	6	8.5	150	R				
		FZ GENESIS (2KK/E486)	750	1987	→	1988	F/R	267	132	5	6	8.5	150	R				
		FZ GENESIS (2KK/E486)	750	1989	→	1992	R	267	132	5	6	8.5	150	R				
		FZX FAZER (2JE/E487)	750	1986	→		F/R	267	132	5	6	8.5	150	R				
		XV VIRAGO	750	1990	→	1993	F	267	132	5	6	8.5	150	R				
		XJ S, DIVERSION (4KM/G844)	900	1994	→		R	267	132	5	6	8.5	150	R				
		FZR EXUP (3LE/F128)	1000	1990	→	1991	R	267	132	5	6	8.5	150	R				
		FZR EXUP (3LE/F128)	1000	1992	→	1993	R	267	132	5	6	8.5	150	R				
		FZR EXUP (3LE/F128)	1000	1994	→	1995	R	267	132	5	6	8.5	150	R				
		FZR GENESIS (2LA/E558)	1000	1987	→	1989	R	267	132	5	6	8.5	150	R				
		FZS FAZER (RN06/e1/0103)	1000	2001	→	2005	R	267	132	5	6	8.5	150	R				
		BT BULLDOG (RP05/e1/00116)	1100	2002	→		R	267	132	5	6	8.5	150	R				
		XV VIRAGO (3LP/F053)	1100	1986	→	1993	F	267	132	5	6	8.5	150	R				
		XV VIRAGO (3LP/F0530)	1100	1994	→	1998	F	267	132	5	6	8.5	150	R				
		XJR	1200	1995	→	1996	R	267	132	5	6	8.5	150	R				
		XJR	1200	1997	→		R	267	132	5	6	8.5	150	R				
		XJR	1300	1998	→		R	267	132	5	6	8.5	150	R				
		XJR (RP02/K266)	1300	1999	→	2001	R	267	132	5	6	8.5	150	R				
		XJR (RP06/e1/0134)	1300	2002	→		R	267	132	5	6	8.5	150	R				
		MT-01	1670	2005	→	2006	R	267	132	5	6	8.5	150	R				
		MT-01	1670	2007	→		R	267	132	5	6	8.5	150	R				
	FMD0157	HRD	125	1997	→		F	245	118	3	6	6.5	134	R				
		GS 97	250	1997	→		F	245	118	3	6	6.5	134	R				
		YAMAHA	125	1998	→	2000	F	245	118	3	6	6.5	134	R				
		WR	125	1998	→	2000	F	245	118	3	6	6.5	134	R				
		YZ F - WR F (CH(02)/EBE)	400	1998	→		F	245	118	3	6	6.5	134	R				
		YZ F - WR F (CH(04)/EBE)	400	1999	→	2000	F	245	118	3	6	6.5	134	R				
	FMD0159	YAMAHA	600	1993	→	1995	F	267	118	4	6	6.5	134	R				
		TT E,S (4LW/-)	600	1993	→	1995	F	267	118	4	6	6.5	134	R				
		TT R (DJ01/H895)	600	1998	→		F	267	118	4	6	6.5	134	R				
	FMD0160	YAMAHA	600	1991	→	1997	F	320	198	5	6	8.5	216	R				
		XJ DIVERSION S-N (4BRA,4BRB/F944/945)	1300	1996	→		R	320	198	5	6	8.5	216	R				
		XVZ13TF WILD STAR	1300	1999	→		R	320	198	5	6	8.5	216	R				
	FMD0163	YAMAHA	125	1989	→	2000	F	282	132.1	5	6	8.6	150	RF				
		TDR (Japanese model)	125	1997	→	2000	F	282	132.1	5	6	8.6	150	RF				
		XV VIRAGO (5AJ/H628)	125	1997	→	2000	F	282	132.1	5	6	8.6	150	RF				
		XVS DRAG STAR (VE01/e13/0022)	125	1999	→	2000	F	282	132.1	5	6	8.6	150	RF				
		XVS VIRAGO	125	1998	→	2000	F	282	132.1	5	6	8.6	150	RF				
		SRV S -RENAISSA	250	1992	→	2000	F	282	132.1	5	6	8.6	150	RF				
		XV VIRAGO (3LW/F052) (VG01/K127)	250	1995	→	2000	F	282	132.1	5	6	8.6	150	RF				
		XVS DRAG STAR (VG03/e13/0035)	250	2001	→	2000	F	282	132.1	5	6	8.6	150	RF				
		XP T-MAX (SJ01/e13/0040) scooter	500	2001	→	2003	F	282	132.1	5	6	8.6	150	RF				
		GTS (4BH/G254)	1000	1993	→	2000	R	282	132.1	5	6	8.6	150	RF				
		XVS DRAG STAR (VP05/K331)	1100	1999	→	2006	R	282	132.1	5	6	8.6	150	RF				
		FJ	1200	1990	→		R	282	132.1	5	6	8.6	150	RF				
		FJ (1XJ/E119)	1200	1986	→	1987	F/R	282	132.1	5	6	8.6	150	RF				
		FJ (3CW/E745)	1200	1988	→	1989	R	282	132.1	5	6	8.6	150	RF				
		FJ ABS (3YA/F559)	1200	1991	→	1993	R	282	132.1	5	6	8.6	150	RF				
		V MAX	1200	1986	→	1992	F/R	282	132.1	5	6	8.6	150	RF				
		V MAX	1200	1993	→	2006	R	282	132.1	5	6	8.6	150	RF				
		FJR	1300	2004	→	2006	R	282	132.1	5	6	8.6	150	RF				
		FJR	1300	2007	→	2000	R	282	132.1	5	6	8.6	150	RF				
		FJR (RP04/e13/0045)	1300	2003	→	2000	R	282	132.1	5	6	8.6	150	RF				
		XVZ 13 T-TD VENTURE ROYALE	1300	1988	→	1995	F	282	132.1	5	6	8.6	150	RF				
	FMD0164	APRILIA	125	2004	→	2007	R	220	110	4	6	6.5	124	R				
		MX	125	2004	→	2007	R	220	110	4	6	6.5	124	R				
		PEGASO	125	1990	→	1991	R	220	110	4	6	6.5	124	R				
		RS EXTREMA	125	1992	→	1997	R	220	110	4	6	6.5	124	R				
		RS REPLICA	125	1992	→	1997	R	220	110	4	6	6.5	124	R				
		PEGASO	600	1989	→	1990	R	220	110	4	6	6.5	124	R				
		MOTO 6.5 (MH00/H0610)	650	1995	→	2002	R	220	110	4	6	6.5	124	R				
		PEGASO	650	1991	→	2000	R	220	110	4	6	6.5	124	R				
	FMD0171	APRILIA	250	1999	→	2004	R	220	96	4	5	6.5	115	R				
		LEONARDO	250	1999	→	2004	R	220	96	4	5	6.5	115	R				
		LEONARDO (Grimeca cal.)	250	1999	→	2004	R	220	96	4	5	6.5	115	R				
		LEONARDO	300	2002	→	2004	R	220	96	4	5	6.5	115	R				
		LEONARDO (Grimeca cal.)	300	2005	→	2006	R	220	96	4	5	6.5	115	R				
		LEONARDO ST	300	2005	→	2006	R	220	96	4	5	6.5	115	R				
		ATLANTIC 500	500	2002	→	2004	R	220	96	4	5	6.5	115	R				
		ATLANTIC 500 SPRINT	500	2005	→		R	220	96	4	5	6.5	115	R				
		SCARABEO 500	500	2002	→	2005	R	220	96	4	5	6.5	115	R				
	FMD0173	MBK	250	2000	→		R	230	116	5	3	8.5	136	R				
		YP 250 SKYLINER	250	2000	→		R	230	116	5	3	8.5	136	R				



Front
Rear

Outside Dia (mm)

Inside Dia (mm)

Thickness (mm)

No. of Fixing hole

Fixing hole dia. (mm)

Fix. hole centralise diam (mm)

DISC TYPE

Code	Brand	Model	Capacity	Year	Direction	Outside Dia (mm)	Inside Dia (mm)	Thickness (mm)	No. of Fixing hole	Fixing hole dia. (mm)	Fix. hole centralise diam (mm)	Disc Type	
...FMD0173	YAMAHA	YP 250 MAJESTY	250	2001	→	R	230	116	5	3	8.5	136	R
FMD0175	YAMAHA	XT E	600	1995	→	F	282	132.2	4	6	8.6	149.5	R
		XTZ TENERE (3YF/F680)	660	1991	→	F	282	132.2	4	6	8.6	149.5	R
		XV VIRAGO (4PW/G848)	750	1994	→ 2000	F	282	132.2	4	6	8.6	149.5	R
FMD0180	DUCATI	748 BIPOSTO	748	1998	→ 2002	R	218.5	108.5	5	4	8.5	125	R
		748 BIPOSTO (748/H199)	748	1995	→ 1997	R	218.5	108.5	5	4	8.5	125	R
		748 R (H3/e1/00037)	748	2001	→ 2002	R	218.5	108.5	5	4	8.5	125	R
		748 R (ZDM748S/EBE)	748	2000	→	R	218.5	108.5	5	4	8.5	125	R
		748 S (ZDM748S/EBE)	748	1999	→ 2002	R	218.5	108.5	5	4	8.5	125	R
		748 SP (ZDM748S/EBE)	748	1995	→ 1997	R	218.5	108.5	5	4	8.5	125	R
		748 SPS (748/H199)	748	1998	→ 1999	R	218.5	108.5	5	4	8.5	125	R
		916 BIPOSTO (916/G846)	916	1994	→ 1998	R	218.5	108.5	5	4	8.5	125	R
		916 SP	916	1994	→ 1996	R	218.5	108.5	5	4	8.5	125	R
		916 SPS (916/G684)	916	1997	→ 1998	R	218.5	108.5	5	4	8.5	125	R
		916 RACING	926	1994	→ 1997	R	218.5	108.5	5	4	8.5	125	R
		996 BIPOSTO	996	1999	→ 2001	R	218.5	108.5	5	4	8.5	125	R
		996 R (H2/e1/00012)	996	2001	→	R	218.5	108.5	5	4	8.5	125	R
		996 S	996	2001	→	R	218.5	108.5	5	4	8.5	125	R
		996 SPS (H2/E1.92/61.00012.00)	996	1999	→ 2000	R	218.5	108.5	5	4	8.5	125	R
		998 BIPOSTO	998	2002	→ 2003	R	218.5	108.5	5	4	8.5	125	R
		998 S (four pads) (H2/e1/00012)	998	2002	→ 2003	R	218.5	108.5	5	4	8.5	125	R
		998 S (two pads) (H2/e1/00012)	998	2002	→ 2003	R	218.5	108.5	5	4	8.5	125	R
		998 R (H2/e1/00012)	999	2002	→ 2003	R	218.5	108.5	5	4	8.5	125	R
FMD0182	TM	GS- MC	125	1990	→ 1992	R	220	115	4	6	6.5	133	R
	VOR	MX- EN	503	2000	→ 2002	F	220	115	4	6	6.5	133	R
	YAMAHA	DT R	125	1992	→	R	220	115	4	6	6.5	133	R
		TDR (Italian model)	125	1989	→	R	220	115	4	6	6.5	133	R
		WR	125	1989	→	R	220	115	4	6	6.5	133	R
		WR	125	1990	→ 1997	R	220	115	4	6	6.5	133	R
		YZ (4PE/EBE)	125	1990	→ 1997	R	220	115	4	6	6.5	133	R
		YZ U	125	1988	→	R	220	115	4	6	6.5	133	R
		YZ V, W	125	1989	→	R	220	115	4	6	6.5	133	R
		WR	200	1992	→	R	220	115	4	6	6.5	133	R
		TT R	250	1993	→	R	220	115	4	6	6.5	133	R
		YZ A,B1,J1	250	1990	→ 1997	R	220	115	4	6	6.5	133	R
		YZ U	250	1988	→	R	220	115	4	6	6.5	133	R
		YZ V,W,WRW	250	1989	→	R	220	115	4	6	6.5	133	R
		YZ	360	1989	→	R	220	115	4	6	6.5	133	R
		YZ RALLY	360	1990	→ 1993	R	220	115	4	6	6.5	133	R
		WR F	400	1998	→	R	220	115	4	6	6.5	133	R
		WR F	400	1999	→ 2000	R	220	115	4	6	6.5	133	R
		YZ F - WR F (CH(02)/EBE)	400	1998	→	R	220	115	4	6	6.5	133	R
		YZ F - WR F (CH(04)/EBE)	400	1999	→ 2000	R	220	115	4	6	6.5	133	R
		WR ZD,ZE	500	1992	→ 1993	R	220	115	4	6	6.5	133	R
		TT E,S (4LW/-)	600	1993	→ 1995	R	220	115	4	6	6.5	133	R
		TT R (DJ01/H895)	600	1998	→	R	220	115	4	6	6.5	133	R
FMD0184	CCM	DS	644	2002	→ 2006	R	220	110	4	6	6.5	125	R
		R30	644	2002	→ 2006	R	220	110	4	6	6.5	125	R
	GAS GAS	EC	125	2007	→	R	220	110	4	6	6.5	125	R
		EC- MC	125	1996	→ 1999	R	220	110	4	6	6.5	125	R
		EC- MC	125	2000	→ 2006	R	220	110	4	6	6.5	125	R
		EC- MC	125	2007	→	R	220	110	4	6	6.5	125	R
		HOBBY	200	2007	→	R	220	110	4	6	6.5	125	R
		EC	250	2007	→	R	220	110	4	6	6.5	125	R
		EC- MC	250	1996	→ 1999	R	220	110	4	6	6.5	125	R
		EC- MC	250	2000	→ 2006	R	220	110	4	6	6.5	125	R
		EC- MC	250	2007	→	R	220	110	4	6	6.5	125	R
		EC	300	2007	→	R	220	110	4	6	6.5	125	R
		EC- MC	300	1996	→ 1999	R	220	110	4	6	6.5	125	R
		EC- MC	300	2000	→ 2006	R	220	110	4	6	6.5	125	R
		EC- MC	300	2007	→	R	220	110	4	6	6.5	125	R
		EC- MC FSE	400	2002	→	R	220	110	4	6	6.5	125	R
		EC- MC PAMPERA	400	2006	→ 2007	R	220	110	4	6	6.5	125	R
		EC FSE	450	2004	→ 2006	R	220	110	4	6	6.5	125	R
		EC- MC	450	2007	→	R	220	110	4	6	6.5	125	R
		EC- MC FSE	450	2003	→	R	220	110	4	6	6.5	125	R
		FSR	450	2007	→	R	220	110	4	6	6.5	125	R
	HUSABERG	FE (Husaberg FE/e5/0001)	400	2000	→ 2003	R	220	110	4	6	6.5	125	R
		FE E (Husaberg FE/e5/0001)	400	2001	→ 2003	R	220	110	4	6	6.5	125	R
		FS C	400	2001	→ 2003	R	220	110	4	6	6.5	125	R
		FS E	400	2001	→ 2003	R	220	110	4	6	6.5	125	R
		FS E- C	450	2003	→ 2004	R	220	110	4	6	6.5	125	R
		FS E- C	450	2005	→ 2006	R	220	110	4	6	6.5	125	R
		FC 501/4 CR	501	1999	→ 2003	R	220	110	4	6	6.5	125	R
		FE E (Husaberg FE/e5/0001)	501	1999	→ 2004	R	220	110	4	6	6.5	125	R
		FE S (Husaberg FE/e5/0001)	501	1999	→ 2004	R	220	110	4	6	6.5	125	R
		FC 550/4	550	2001	→ 2005	R	220	110	4	6	6.5	125	R
		FE E	550	2004	→ 2005	R	220	110	4	6	6.5	125	R



CC

Front
Rear

Outside Dia (mm)

Inside Dia (mm)

Thickness (mm)

No. of Fixing hole

Fixing hole dia. (mm)

Fix. hole centreline diam (mm)

DISC TYPE

...FMD0184

KTM

FC 600/4 CR	600	1999	→	2003	R	220	110	4	6	6.5	125	R
FE E (Husaberg FE/e5/0001)	600	1999	→	2002	R	220	110	4	6	6.5	125	R
FE SUPERMOTARD	600	1999	→	2003	R	220	110	4	6	6.5	125	R
FE E (Husaberg FE/e5/0001)	650	2001	→	2005	R	220	110	4	6	6.5	125	R
FS E- C	650	2001	→	2004	R	220	110	4	6	6.5	125	R
FS E- C	650	2005	→	2006	R	220	110	4	6	6.5	125	R
FX E	650	2001	→	2005	R	220	110	4	6	6.5	125	R
ECX-SX	125	1998	→	1999	R	220	110	4	6	6.5	125	R
EXC-SX	125	2000	→	2003	R	220	110	4	6	6.5	125	R
EXC-SX	125	2004	→	2007	R	220	110	4	6	6.5	125	R
GS	125	1989	→	1992	R	220	110	4	6	6.5	125	R
GS	125	1993	→	1994	R	220	110	4	6	6.5	125	R
GS	125	1994	→	1997	R	220	110	4	6	6.5	125	R
GS-MX	125	1988	→		R	220	110	4	6	6.5	125	R
MX	125	1989	→	1991	R	220	110	4	6	6.5	125	R
MX	125	1992	→	2000	R	220	110	4	6	6.5	125	R
STING	125	1998	→		R	220	110	4	6	6.5	125	R
SX	125	1993	→	2000	R	220	110	4	6	6.5	125	R
SX	125	1994	→	1997	R	220	110	4	6	6.5	125	R
EXC	200	1998	→	1999	R	220	110	4	6	6.5	125	R
EXC	200	2003	→	2007	R	220	110	4	6	6.5	125	R
EXC (KTM-2T-EXC/e1/00060)	200	2000	→	2002	R	220	110	4	6	6.5	125	R
SX (KTM-2T-EXC/e1/00060)	200	2003	→	2007	R	220	110	4	6	6.5	125	R
EXC 2t-4t	250	2003	→	2000	R	220	110	4	6	6.5	125	R
EXC 2t-4t	250	2004	→	2007	R	220	110	4	6	6.5	125	R
EXC- SX (KTM-2T-EXC/e1/00060)	250	2000	→	2002	R	220	110	4	6	6.5	125	R
EXC-SX	250	1998	→	1999	R	220	110	4	6	6.5	125	R
GS	250	1988	→	1989	R	220	110	4	6	6.5	125	R
GS	250	1990	→	1992	R	220	110	4	6	6.5	125	R
GS	250	1993	→	2000	R	220	110	4	6	6.5	125	R
GS	250	1994	→	1997	R	220	110	4	6	6.5	125	R
GS-MX	250	1988	→		R	220	110	4	6	6.5	125	R
MX	250	1989	→	1991	R	220	110	4	6	6.5	125	R
MX	250	1992	→	2000	R	220	110	4	6	6.5	125	R
SX	250	1993	→	2000	R	220	110	4	6	6.5	125	R
SX (2t-4t) (VBKMXN/EBE)	250	2003	→	2006	R	220	110	4	6	6.5	125	R
SX-F	250	2006	→	2007	R	220	110	4	6	6.5	125	R
EXC	300	2004	→	2006	R	220	110	4	6	6.5	125	R
EXC-SX	300	1997	→	1999	R	220	110	4	6	6.5	125	R
EXC-SX	300	2000	→	2002	R	220	110	4	6	6.5	125	R
GS	300	1991	→	1992	R	220	110	4	6	6.5	125	R
GS	300	1993	→	1994	R	220	110	4	6	6.5	125	R
GS	300	1995	→	2000	R	220	110	4	6	6.5	125	R
MX	300	1991	→	2000	R	220	110	4	6	6.5	125	R
MX	300	1992	→	2000	R	220	110	4	6	6.5	125	R
SX	300	1993	→	2000	R	220	110	4	6	6.5	125	R
GS 4T	350	1993	→	2000	R	220	110	4	6	6.5	125	R
EXC-SX	380	1998	→	1999	R	220	110	4	6	6.5	125	R
EXC	400	1994	→	1999	R	220	110	4	6	6.5	125	R
EXC 6M (KTM-4T-EXC/e1/00067)	400	2000	→	2005	R	220	110	4	6	6.5	125	R
EXC	450	2003	→	2000	R	220	110	4	6	6.5	125	R
EXC (KTM-4T-EXC/e1/00067)	450	2004	→	2007	R	220	110	4	6	6.5	125	R
SMR	450	2004	→		R	220	110	4	6	6.5	125	R
SMR	450	2005	→	2006	R	220	110	4	6	6.5	125	R
SX-F (VBKMXN/EBE)	450	2003	→	2006	R	220	110	4	6	6.5	125	R
MX	500	1989	→	1991	R	220	110	4	6	6.5	125	R
MX	500	1992	→	2000	R	220	110	4	6	6.5	125	R
SX	500	1993	→	1994	R	220	110	4	6	6.5	125	R
SX	500	1995	→	2000	R	220	110	4	6	6.5	125	R
EXC 6M (KTM-4T-EXC/e1/00067)	520	2000	→	2002	R	220	110	4	6	6.5	125	R
SX 4M (VBKMXM/EBE)	520	2000	→	2002	R	220	110	4	6	6.5	125	R
EXC (KTM-4T-EXC/e1/00067)	525	2003	→	2000	R	220	110	4	6	6.5	125	R
EXC (KTM-4T-EXC/e1/00067)	525	2004	→	2007	R	220	110	4	6	6.5	125	R
SMR	525	2004	→		R	220	110	4	6	6.5	125	R
SMR	525	2005	→		R	220	110	4	6	6.5	125	R
SX	525	2004	→	2006	R	220	110	4	6	6.5	125	R
SX (VBKMXM/EBE)	525	2003	→	2000	R	220	110	4	6	6.5	125	R
XC DESERT RACING	525	2006	→	2007	R	220	110	4	6	6.5	125	R
SXC (KTM-4T-EGS/e1/00007)	540	1999	→	2000	R	220	110	4	6	6.5	125	R
SMR	560	2006	→	2007	R	220	110	4	6	6.5	125	R
GS 4T	600	1993	→	2000	R	220	110	4	6	6.5	125	R
LC4 ENDURO	600	1991	→	1992	R	220	110	4	6	6.5	125	R
MX	600	1990	→	1991	R	220	110	4	6	6.5	125	R
MX	600	1992	→	2000	R	220	110	4	6	6.5	125	R
ADVENTURE	620	1997	→		R	220	110	4	6	6.5	125	R
DUKE	620	1995	→	1998	R	220	110	4	6	6.5	125	R
EGS-LC4	620	1996	→	2002	R	220	110	4	6	6.5	125	R
LC4 SC SUPERCOMP	620	1998	→	1999	R	220	110	4	6	6.5	125	R

11018



CC

Front
Rear

Outside Dia (mm)

Inside Dia (mm)

Thickness (mm)

No. of Fixing hole

Fixing hole dia. (mm)

Fix. hole centralise diam (mm)

DISC TYPE

...	FMD0184													
		LC4 SC SUPERCOMP	620	2000	→	2001	R	220	110	4	6	6.5	125	R
		LC4 SXC SUPERMOTO (KTM-4T-EGS/e1/00007)	620	2000	→	2001	R	220	110	4	6	6.5	125	R
		LC4 SC SUPERCOMP	625	2002	→	2000	R	220	110	4	6	6.5	125	R
		LC4 SC SUPERMOTO	625	2002	→	2004	R	220	110	4	6	6.5	125	R
		SMC	625	2005	→	2007	R	220	110	4	6	6.5	125	R
		SXC	625	2003	→	2007	R	220	110	4	6	6.5	125	R
		DUKE II (KTM DKII/e1/00048)	640	1999	→	2002	R	220	110	4	6	6.5	125	R
		DUKE II (KTM DKII/e1/00048)	640	2003	→	2006	R	220	110	4	6	6.5	125	R
		LC4 ADVENTURE	640	2001	→	2003	R	220	110	4	6	6.5	125	R
		LC4 ADVENTURE	640	2004	→	2007	R	220	110	4	6	6.5	125	R
		LC4 ADVENTURE (KTM-4T-EGS/e1/00007)	640	1998	→	2000	R	220	110	4	6	6.5	125	R
		LC4 ENDURO (KTM-4T-EGS/e1/00007)	640	1999	→	2007	R	220	110	4	6	6.5	125	R
		LC4 ENDURO (KTM-4T-EGS/e1/00007)	640	1999	→	2007	R	220	110	4	6	6.5	125	R
		LC4 SUPERMOTO	640	1998	→	1999	R	220	110	4	6	6.5	125	R
		LC4 SUPERMOTO	640	2000	→	2002	R	220	110	4	6	6.5	125	R
		LC4 SUPERMOTO	640	2003	→		R	220	110	4	6	6.5	125	R
		LC4 SUPERMOTO	640	2004	→	2007	R	220	110	4	6	6.5	125	R
		SMC (4T-SC/e12/0001)	660	2003	→		R	220	110	4	6	6.5	125	R
		SMC (4T-SC/e12/0001)	660	2004	→	2007	R	220	110	4	6	6.5	125	R
	FMD0187	SUZUKI												
		DR RK DJEBEL (SN41A/D786)	600	1989	→		R	250	134	5	6	10.5	156	R
		DR DJEBEL	650	1990	→		R	250	134	5	6	10.5	156	R
		DR R (SP44B/G002)	650	1992	→	1993	R	250	134	5	6	10.5	156	R
		DR R/RS	650	1990	→	1991	R	250	134	5	6	10.5	156	R
		DR RE	650	1994	→	1995	R	250	134	5	6	10.5	156	R
		DR RL-RM-RSL	650	1991	→	1995	R	250	134	5	6	10.5	156	R
		DR RSE	650	1991	→	1993	R	250	134	5	6	10.5	156	R
		DR BIG (SR41B/E777)	750	1988	→	1989	R	250	134	5	6	10.5	156	R
		DR S, BIG (SR42B/F346)	800	1989	→	1990	R	250	134	5	6	10.5	156	R
		DR S, BIG (SR43B/F723)	800	1991	→	1995	R	250	134	5	6	10.5	156	R
	FMD0197	HONDA												
		CR E SUPERMOTARD (HM)	125	2002	→	2003	R	240	121.5	3.5	4	6.5	140	R
		CR E SUPERMOTARD (HM)	125	2004	→	2007	R	240	121.5	3.5	4	6.5	140	R
		CR R- CR E	125	2002	→	2003	R	240	121.5	3.5	4	6.5	140	R
		CR R- CR E	125	2004	→	2007	R	240	121.5	3.5	4	6.5	140	R
		CR E SUPERMOTARD (HM)	250	2002	→	2003	R	240	121.5	3.5	4	6.5	140	R
		CR E SUPERMOTARD (HM)	250	2004	→	2007	R	240	121.5	3.5	4	6.5	140	R
		CR R- CR E	250	2002	→	2003	R	240	121.5	3.5	4	6.5	140	R
		CR R- CR E	250	2004	→	2007	R	240	121.5	3.5	4	6.5	140	R
		CRE- F - X (HM)	250	2007	→		R	240	121.5	3.5	4	6.5	140	R
		CRF R- X	250	2004	→	2007	R	240	121.5	3.5	4	6.5	140	R
		CRF R- X SUPERMOTARD (HM)	250	2004	→	2007	R	240	121.5	3.5	4	6.5	140	R
		CRF R (PE05/EBE)	450	2002	→	2003	R	240	121.5	3.5	4	6.5	140	R
		CRF R- X	450	2004	→	2007	R	240	121.5	3.5	4	6.5	140	R
		CRF SUPERMOTARD (HM)	450	2002	→	2003	R	240	121.5	3.5	4	6.5	140	R
		CRF- X SUPERMOTARD (HM)	450	2004	→	2007	R	240	121.5	3.5	4	6.5	140	R
	FMD0199	KAWASAKI												
		ZX7R NINJA	750	1989	→	1995	R	230	82	4	5	10.5	104	R
		ZX7R NINJA P1,P2 (ZR750N/H202)	750	1996	→	2002	R	230	82	4	5	10.5	104	R
		ZX7RR NINJA N1 (ZX750N/H202)	750	1996	→	2002	R	230	82	4	5	10.5	104	R
		ZXR L	750	1993	→	1995	R	230	82	4	5	10.5	104	R
		ZXR R (ZX750H/F102)	750	1989	→	1992	R	230	82	4	5	10.5	104	R
		ZXR R (ZX750K/F671)	750	1993	→	1995	R	230	82	4	5	10.5	104	R
		ZX9R NINJA (ZX900B/G588)	900	1994	→	1995	R	230	82	4	5	10.5	104	R
		ZX9R NINJA (ZX900B/G588)	900	1996	→	1997	R	230	82	4	5	10.5	104	R
		GTR (ZGT00A/E098)	1000	1986	→	1993	R	230	82	4	5	10.5	104	R
	FMD0205	BUELL												
		ZEPHYR (ZRT1100B/F989)	1100	1996	→	1998	R	230	82	4	5	10.5	104	R
		M2- S1- S3- S3T (EB1/H657)	1200	1998	→	2002	R	240	105	4.5	4	10.5	125	R
	FMD0206	BMW												
		X1 LIGHTNING (BL1/e1/0006)	1200	1999	→	2002	R	240	105	4.5	4	10.5	125	R
		R 850 R	850	1994	→	2001	F	305	118	5	6	9	134	RF
		R 850 RT	850	1995	→	2001	F	305	118	5	6	9	134	RF
		K 100 RS 16V	1000	1989	→	1993	F	305	118	5	6	9	134	RF
		K1	1000	1989	→	1993	F	305	118	5	6	9	134	RF
		K 1100 LT	1100	1992	→	2000	F	305	118	5	6	9	134	RF
		K 1100 RS	1100	1993	→	1996	F	305	118	5	6	9	134	RF
		R 1100	1100	1995	→	2001	F	305	118	5	6	9	134	RF
		R 1100 RS	1100	1994	→	2001	F	305	118	5	6	9	134	RF
		R 1100 RT	1100	1994	→	2001	F	305	118	5	6	9	134	RF
	FMD0207	APRILIA												
		PEGASO I.E.	650	2001	→	2004	R	240	110	5	6	6.5	124	R
		PEGASO TRAIL	650	2005	→	2008	R	240	110	5	6	6.5	124	R
	BENELLI	CENTURY RACER	899	2011	→		R	240	110	5	6	6.5	124	R
		TRE K	899	2011	→		R	240	110	5	6	6.5	124	R
		TNT	1100	2004	→		R	240	110	5	6	6.5	124	R
		CAFE RACER	1130	2011	→		R	240	110	5	6	6.5	124	R
		CENTURY RACER	1130	2011	→		R	240	110	5	6	6.5	124	R
		TNT	1130	2004	→	2006	R	240	110	5	6	6.5	124	R
		TNT CAFE RACER	1130	2005	→	2007	R	240	110	5	6	6.5	124	R
		TNT R160	1130	2011	→		R	240	110	5	6	6.5	124	R
		TNT RS	1130	2005	→	2007	R	240	110	5	6	6.5	124	R
		TNT TITANIUM	1130	2005	→	2007	R	240	110	5	6	6.5	124	R
		TRE K	1130	2011	→		R	240	110	5	6	6.5	124	R



Front
Rear

Outside Dia (mm)

Inside Dia (mm)

Thickness (mm)

No. of Fixing hole

Fixing hole dia. (mm)

Fix. hole centreline diam (mm)

DISC TYPE

Code	Brand	Model	CC	Year	Front	Outside Dia (mm)	Inside Dia (mm)	Thickness (mm)	No. of Fixing hole	Fixing hole dia. (mm)	Fix. hole centreline diam (mm)	DISC TYPE
...FMD0233		GPX R (ZX750F/E396)	750	1986 → 1987	R	238.5	102	4.5	4	10.5	120	R
		ZR 7 - S (ZR750F1)	750	1999 →	R	238.5	102	4.5	4	10.5	120	R
FMD0234	KAWASAKI	KLE A1-A4 (LE500A/F670)	500	1991 → 2006	R	230	120	4	6	10.5	136	R
		KLR	650	1995 →	R	230	120	4	6	10.5	136	R
		KLR A	650	1987 → 1989	R	230	120	4	6	10.5	136	R
		KLR B1-B3 Tengai (KL650B/E393)	650	1989 → 1991	R	230	120	4	6	10.5	136	R
FMD0235	KAWASAKI	ZZR (ZX1100D/G203)	1100	1993 → 1999	R	250	100	5	4	10.5	120	R
FMD0237	KAWASAKI	ZX6R NINJA	600	2007 →	R	218.5	102	4.5	4	10.5	120	R
		ZX6R NINJA (ZX600G/H967)	600	1998 → 2002	R	218.5	102	4.5	4	10.5	120	R
		ZX6RR NINJA	600	2005 → 2006	R	218.5	102	4.5	4	10.5	120	R
		ZX6RR NINJA (Rad.cal) (ZX600K/e1/0174)	600	2003 → 2004	R	218.5	102	4.5	4	10.5	120	R
		ZX6R 636 NINJA	636	2005 → 2006	R	218.5	102	4.5	4	10.5	120	R
		ZX6R 636 NINJA (Rad.cal) (ZX636B/e4/0180)	636	2003 → 2004	R	218.5	102	4.5	4	10.5	120	R
		ZX6R 636 NINJA (ZX600A1H/e1/0141)	636	2002 →	R	218.5	102	4.5	4	10.5	120	R
		ER-6F/ NINJA 650R	650	2006 → 2007	R	218.5	102	4.5	4	10.5	120	R
		ER-6N	650	2006 → 2007	R	218.5	102	4.5	4	10.5	120	R
		VERSYS	650	2007 →	R	218.5	102	4.5	4	10.5	120	R
		Z 750	750	2004 → 2006	R	218.5	102	4.5	4	10.5	120	R
		Z 750 S	750	2005 → 2006	R	218.5	102	4.5	4	10.5	120	R
		ZX9R NINJA (ZX900C/H884)	900	1998 → 1999	R	218.5	102	4.5	4	10.5	120	R
		ZX9R NINJA (ZX900C/H884)	900	2000 → 2001	R	218.5	102	4.5	4	10.5	120	R
		ZX9R NINJA (ZX900E/01/00054)	900	2002 → 2003	R	218.5	102	4.5	4	10.5	120	R
		Z 1000 (ZRT00A/e1/0172)	1000	2003 → 2006	R	218.5	102	4.5	4	10.5	120	R
		ZX10R NINJA (Rad.cal)	1000	2006 → 2007	R	218.5	102	4.5	4	10.5	120	R
		ZX10R NINJA (Rad.cal)	1000	2008 →	R	218.5	102	4.5	4	10.5	120	R
FMD0238	KAWASAKI	ZX10R NINJA (Rad.cal) (ZXT00C/e4/0246)	1000	2004 → 2005	R	218.5	102	4.5	4	10.5	120	R
		ZX12R NINJA (Rad.cal)	1200	2004 → 2005	R	230	100	5	4	10.5	120	R
		ZX12R NINJA (Rad.cal)	1200	2006 →	R	230	100	5	4	10.5	120	R
		ZX12R NINJA (ZXT20A/e1/0065)	1200	2000 → 2003	R	230	100	5	4	10.5	120	R
FMD0241	SUZUKI	GSX R (Rad.cal) (WVB2/e4/0253)	600	2004 → 2005	F	300	69	5	5	10.5	91	RX
		GSX R (Rad.cal) (WVB3/e4/0261)	750	2004 → 2005	F	300	69	5	5	10.5	91	RX
		GSX R (WVBZ/e4/0193)	1000	2003 →	F	300	69	5	5	10.5	91	RX
		GSX R (WVBZ/e4/0193)	1000	2004 →	F	300	69	5	5	10.5	91	RX
FMD0242	SUZUKI	DR S	250	1990 →	R	218.5	118.5	4	4	8.5	142	R
		DR S-R	350	1989 → 1995	R	218.5	118.5	4	4	8.5	142	R
		DR S-R	350	1996 → 1999	R	218.5	118.5	4	4	8.5	142	R
FMD0244	KYMCO	AGILITY R16	125	2008 → 2011	R	240	89	4	5	10.5	110	R
		DOWNTOWN i	125	2009 → 2011	R	240	89	4	5	10.5	110	R
		AGILITY R16	150	2008 → 2010	R	240	89	4	5	10.5	110	R
		AGILITY R16	200	2009 → 2011	R	240	89	4	5	10.5	110	R
		DOWNTOWN i	200	2010 → 2011	R	240	89	4	5	10.5	110	R
		DOWNTOWN i	300	2009 → 2011	R	240	89	4	5	10.5	110	R
		DOWNTOWN i ABS	300	2010 → 2011	R	240	89	4	5	10.5	110	R
		SUPER DINK	300	2009 → 2011	R	240	89	4	5	10.5	110	R
	SUZUKI	GSF BANDIT (GN77B/H008)	600	1995 → 1999	R	240	89	4	5	10.5	110	R
		GSF BANDIT (WVA8/e4/0060)	600	2000 → 2004	R	240	89	4	5	10.5	110	R
		GSX F	600	1998 → 2003	R	240	89	4	5	10.5	110	R
		GSX F	600	2004 →	R	240	89	4	5	10.5	110	R
		RF R (GN76B/G319)	600	1993 → 1997	R	240	89	4	5	10.5	110	R
		GSF BANDIT	650	2005 → 2006	R	240	89	4	5	10.5	110	R
		SV - SV S (AV/K329)	650	1999 → 2002	R	240	89	4	5	10.5	110	R
		GSX	750	1997 →	R	240	89	4	5	10.5	110	R
		GSX F	750	1998 → 2003	R	240	89	4	5	10.5	110	R
		GSX F	750	2004 → 2006	R	240	89	4	5	10.5	110	R
		GSX R	750	1989 → 1993	R	240	89	4	5	10.5	110	R
		GSX R W	750	1994 → 1995	R	240	89	4	5	10.5	110	R
		RF RR,RS,RS2,T,V (GT73B/G616)	900	1994 → 1997	R	240	89	4	5	10.5	110	R
		GSX R K-N (GV73C/F024)	1100	1989 → 1992	R	240	89	4	5	10.5	110	R
		GSX R WP,WR,WS,WT,WV (GU75C/G253)	1100	1993 → 2000	R	240	89	4	5	10.5	110	R
		GSF BANDIT	1200	1995 → 2000	R	240	89	4	5	10.5	110	R
		GSF BANDIT (WVA9/e4/0086)	1200	2001 → 2002	R	240	89	4	5	10.5	110	R
		GSX	1200	2002 →	R	240	89	4	5	10.5	110	R
		GSX (A3/K426)	1200	1999 → 2001	R	240	89	4	5	10.5	110	R
FMD0245	SUZUKI	GSX R HAYABUSA (WVA1/E4.92/61.0012.00)	1300	1999 → 2006	R	240	89	4	5	10.5	110	R
		RG F, GAMMA	125	1992 →	R	210	81	4	4	10.5	100	R
		RGV GAMMA M (VJ22B/F611)	250	1991 →	R	210	81	4	4	10.5	100	R
FMD0246	SUZUKI	RGV K (VJ21A/-)	250	1989 → 1990	R	210	81	4	4	10.5	100	R
		GS F	400	1989 →	R	250	84	4	4	8.5	100	R
		GSF BANDIT	400	1993 →	R	250	84	4	4	8.5	100	R
		GSF BANDIT	400	1994 →	R	250	84	4	4	8.5	100	R
		GSF BANDIT (GK75B/F610)	400	1991 → 1992	R	250	84	4	4	8.5	100	R
		GS E	500	1989 → 1994	R	250	84	4	4	8.5	100	R
		GS E	500	1995 →	R	250	84	4	4	8.5	100	R
		GS F	500	2004 →	R	250	84	4	4	8.5	100	R
		GSX F	600	1988 →	R	250	84	4	4	8.5	100	R
		GSX F-FM	600	1991 → 1992	R	250	84	4	4	8.5	100	R
		GSX FJ-FK (GN72B/E775)	600	1989 → 1990	R	250	84	4	4	8.5	100	R
		GSX F-FL SLINGSHOT	750	1989 → 1992	R	250	84	4	4	8.5	100	R



Front
Rear

						Front	Outside Dia (mm)	Inside Dia (mm)	Thickness (mm)	No. of Fixing hole	Fixing hole dia. (mm)	Fix. hole centreline diam (mm)	DISC TYPE	
						Rear								
FMD0247	SUZUKI	VX	800	1994	→	R	250	84	5	5	8.5	100	R	
		VX L-P (VS51B/F399)	800	1990	→	1993	R	250	84	5	5	8.5	100	R
FMD0248	SUZUKI	RM	125	2000	→	2005	R	240	118	4	6	6.5	134	R
		RM	125	2006	→	2007	R	240	118	4	6	6.5	134	R
		RM	250	2000	→	2005	R	240	118	4	6	6.5	134	R
		RM	250	2006	→	2007	R	240	118	4	6	6.5	134	R
		DRZ SM	400	2005	→	2007	R	240	118	4	6	6.5	134	R
FMD0249	SUZUKI	GSX R	600	2008	→	2012	R	220	89	5	5	10.5	110	R
		GSX R (AD/H583)	600	1997	→	2000	R	220	89	5	5	10.5	110	R
		GSX R (Rad.cal)	600	2006	→	2007	R	220	89	5	5	10.5	110	R
		GSX R (Rad.cal) (WVB2/e4/0253)	600	2004	→	2005	R	220	89	5	5	10.5	110	R
		GSX R (WVBG/e4/0100)	600	2001	→	2003	R	220	89	5	5	10.5	110	R
		SV - SV S	650	2003	→	2006	R	220	89	5	5	10.5	110	R
		GSX R	750	1985	→	1988	R	220	89	5	5	10.5	110	R
		GSX R	750	2008	→	2012	R	220	89	5	5	10.5	110	R
		GSX R (Rad.cal)	750	2006	→	2007	R	220	89	5	5	10.5	110	R
		GSX R (Rad.cal) (WVB3/e4/0261)	750	2004	→	2005	R	220	89	5	5	10.5	110	R
		GSX R T (SRAD)	750	1996	→	1999	R	220	89	5	5	10.5	110	R
		GSX R Y (WVBD/e4/0068)	750	2000	→	2003	R	220	89	5	5	10.5	110	R
		GSX R (Rad.cal)	1000	2005	→	2006	R	220	89	5	5	10.5	110	R
		GSX R (Rad.cal)	1000	2007	→	2008	R	220	89	5	5	10.5	110	R
		GSX R (Rad.cal)	1000	2009	→		R	220	89	5	5	10.5	110	R
		GSX R (WVBL/e4/0108)	1000	2001	→	2002	R	220	89	5	5	10.5	110	R
		GSX R (WVBZ/e4/0193)	1000	2003	→		R	220	89	5	5	10.5	110	R
		GSX R (WVBZ/e4/0193)	1000	2004	→		R	220	89	5	5	10.5	110	R
		SV - SV S (WVBX/e4/0191)	1000	2003	→		R	220	89	5	5	10.5	110	R
		TL R (AM/H977)	1000	1998	→		R	220	89	5	5	10.5	110	R
		TL S (AG/H632)	1000	1997	→		R	220	89	5	5	10.5	110	R
		GSX R G, H, J (GU74C/E117)	1100	1987	→	1988	R	220	89	5	5	10.5	110	R
FMD0250	SUZUKI	AN BURGMAN (AN/K042) scooter	250	1998	→	2003	R	210	109	5	5	10.6	132	R
		AN BURGMAN (AU/K296) scooter	400	1999	→	2000	R	210	109	5	5	10.6	132	R
		AN BURGMAN (WVAU/e4/0099) scooter	400	2001	→	2002	R	210	109	5	5	10.6	132	R
FMD0251	KAWASAKI	KX R2-T2-R6-76	80	1993	→	1996	R	186	84	4	4	6.5	100	R
	SUZUKI	RM	80	1990	→	1995	R	186	84	4	4	6.5	100	R
		RM	80	1996	→	2001	R	186	84	4	4	6.5	100	R
		RM	85	2002	→	2004	R	186	84	4	4	6.5	100	R
FMD0256	YAMAHA	XT 4 VALVES	600	1988	→	1989	R	220	86	4.5	6	6.5	102	R
		XT E	600	1990	→	1994	R	220	86	4.5	6	6.5	102	R
		XT E	600	1995	→		R	220	86	4.5	6	6.5	102	R
		XT Z TENERE (3AJ/E807)	600	1987	→	1991	R	220	86	4.5	6	6.5	102	R
		XTZ TENERE (3YF/F680)	660	1991	→		R	220	86	4.5	6	6.5	102	R
FMD0257	YAMAHA	RD LC (47X/D467)	500	1984	→	1988	R	245	115	5	6	6.5	133	R
		XTZ SUPERTENERE' (3WM/F343)	750	1989	→		R	245	115	5	6	6.5	133	R
FMD0258	HRD	GS 97	250	1997	→		R	240	115	4	6	6.5	133	R
	YAMAHA	WR	125	1998	→	2000	R	240	115	4	6	6.5	133	R
		WR	125	2001	→		R	240	115	4	6	6.5	133	R
		YZ (4XM/EBE)	125	1998	→	2000	R	240	115	4	6	6.5	133	R
		YZ (4XM/EBE)	125	2001	→		R	240	115	4	6	6.5	133	R
		YZ F - WR F (4t)	250	2001	→		R	240	115	4	6	6.5	133	R
		YZ - WR (4XL/EBE)	250	1998	→	2000	R	240	115	4	6	6.5	133	R
		YZ - WR (4XL/EBE)	250	2001	→		R	240	115	4	6	6.5	133	R
		YZ F (CJ(04)/e1/0107)	426	2000	→		R	240	115	4	6	6.5	133	R
		YZ F - WR F (CJ(04)/e1/0107) (CJ/01/0107)	426	2001	→		R	240	115	4	6	6.5	133	R
FMD0260	YAMAHA	YP MAJESTY DX (SG02/H939) scooter	250	1998	→	1999	R	230	84	5	3	8.6	102	R
FMD0263	YAMAHA	WR	125	2002	→		R	245	115	4	6	6.5	133	R
		WR	125	2003	→	2005	R	245	115	4	6	6.5	133	R
		YZ	125	2006	→	2007	R	245	115	4	6	6.5	133	R
		YZ (4XM/EBE)	125	2002	→		R	245	115	4	6	6.5	133	R
		YZ (CE10/EBE)	125	2003	→	2005	R	245	115	4	6	6.5	133	R
		WR	250	2003	→	2005	R	245	115	4	6	6.5	133	R
		WR	250	2006	→	2007	R	245	115	4	6	6.5	133	R
		WR F	250	2003	→	2005	R	245	115	4	6	6.5	133	R
		WR F	250	2006	→	2007	R	245	115	4	6	6.5	133	R
		YZ	250	2006	→	2007	R	245	115	4	6	6.5	133	R
		YZ (CG/e1/00106)	250	2003	→	2006	R	245	115	4	6	6.5	133	R
		YZ F	250	2006	→		R	245	115	4	6	6.5	133	R
		YZ F	250	2007	→		R	245	115	4	6	6.5	133	R
		YZ F (4t) F (CG/e1/00106)	250	2003	→	2005	R	245	115	4	6	6.5	133	R
		YZ F - WR F (4t)	250	2002	→		R	245	115	4	6	6.5	133	R
		YZ - WR (4XL/EBE)	250	2002	→		R	245	115	4	6	6.5	133	R
		YZ F - WR F (CJ(04)/e1/0107) (CJ/01/0107)	426	2002	→		R	245	115	4	6	6.5	133	R
		WR F	450	2003	→	2006	R	245	115	4	6	6.5	133	R
		YZ F	450	2006	→		R	245	115	4	6	6.5	133	R
		YZ F (CJ(03)/e1/0107)	450	2003	→	2005	R	245	115	4	6	6.5	133	R
FMD0265	YAMAHA	YZF R6	600	2005	→	2013	R	220	105	4	5	10.5	125	R
		YZF R6 (RJ05/e13/0060)	600	2003	→	2004	R	220	105	4	5	10.5	125	R
		YZF R1	1000	2004	→	2006	R	220	105	4	5	10.5	125	R
		YZF R1	1000	2007	→	2011	R	220	105	4	5	10.5	125	R



Front
Rear

Outside Dia (mm)

Inside Dia (mm)

Thickness (mm)

No. of Fixing hole

Fixing hole dia. (mm)

Fit. hole centralise diam (mm)

DISC TYPE

FMD0266

HARLEY D.

XL 883 L SPORTSTER LOW	883	2007	→	2010	F	292	56	5	5	8.5	82.5	RPF/RP/R/R
XL 883 N IRON	883	2009	→	2011	F	292	56	5	5	8.5	82.5	RPF/RP/R/R
XL 883 R ROADSTER	883	2010	→	2011	F	292	56	5	5	8.5	82.5	RPF/RP/R/R
XL 883 R SPORTSTER (XL1/e4/0028)	883	2000	→	2003	F	292	56	5	5	8.5	82.5	RPF/RP/R/R
XL 883 SPORTSTER CUSTOM	883	2004	→	2010	F	292	56	5	5	8.5	82.5	RPF/RP/R/R
XLH 883 SPORTSTER (XL1/e4/0028)	883	2000	→	2003	F	292	56	5	5	8.5	82.5	RPF/RP/R/R
XLH 883 SPORTSTER HUGGER (XL1/e4/0028)	883	2000	→	2003	F	292	56	5	5	8.5	82.5	RPF/RP/R/R
XLR 883 CUSTOM 53	883	2001	→		F	292	56	5	5	8.5	82.5	RPF/RP/R/R
XL 1200 C SPORTSTER CUSTOM (XL2/e4/2002/24/0208)	1200	2004	→	2006	F	292	56	5	5	8.5	82.5	RPF/RP/R/R
XL 1200 L SPORTSTER LOW	1200	2007	→	2011	F	292	56	5	5	8.5	82.5	RPF/RP/R/R
XL 1200 R SPORTSTER ROADSTER (XL2/e4/2002/24/0208)	1200	2004	→	2006	F	292	56	5	5	8.5	82.5	RPF/RP/R/R
XL 1200 SPORTSTER	1200	2004	→	2006	F	292	56	5	5	8.5	82.5	RPF/RP/R/R
XL 1200 SPORTSTER - FORTY EIGHT	1200	2010	→	2011	F	292	56	5	5	8.5	82.5	RPF/RP/R/R
XL 1200 SPORTSTER CUSTOM	1200	2000	→	2003	F	292	56	5	5	8.5	82.5	RPF/RP/R/R
XL 1200 SPORTSTER N NIGHTSTER	1200	2007	→	2011	F	292	56	5	5	8.5	82.5	RPF/RP/R/R
XL 1200 SPORTSTER SPORT (XL1/e4/0028)	1200	2000	→	2003	F	292	56	5	5	8.5	82.5	RPF/RP/R/R
XR	1200	2008	→	2010	F	292	56	5	5	8.5	82.5	RPF/RP/R/R
XR 1200 X	1200	2010	→	2011	F	292	56	5	5	8.5	82.5	RPF/RP/R/R
FLSTC 1340 HERITAGE SOFTAIL CLASSIC	1340	2000	→	2002	F	292	56	5	5	8.5	82.5	RPF/RP/R/R
FLSTC FAT BOY	1340	2000	→	2002	F	292	56	5	5	8.5	82.5	RPF/RP/R/R
FXLR 1340 LOW RIDER CUSTOM	1340	2000	→		F	292	56	5	5	8.5	82.5	RPF/RP/R/R
FXSTS 1340 SPRINGER SOFTAIL	1340	2000	→	2002	F	292	56	5	5	8.5	82.5	RPF/RP/R/R
FLHR/I ROAD KING (FL1/e4/0030)	1450	2000	→	2004	F	292	56	5	5	8.5	82.5	RPF/RP/R/R
FLHRCI ROAD KING CLASSIC (FL1/e4/0030)	1450	2000	→	2004	F	292	56	5	5	8.5	82.5	RPF/RP/R/R
FLHT/I ELECTRA GLIDE STANDARD (FL1/e4/0030)	1450	2000	→	2004	F	292	56	5	5	8.5	82.5	RPF/RP/R/R
FLHTCUI ELECTRA GLIDE ULTRA CLASSIC (FL1/e4/0030)	1450	2000	→	2004	F	292	56	5	5	8.5	82.5	RPF/RP/R/R
FLSTS/I HERITAGE SPRINGER (FS2/e4/0002)	1450	2000	→	2003	F	292	56	5	5	8.5	82.5	RPF/RP/R/R
FLTR/I ROAD GLIDE CLASSIC (FL1/e4/0030)	1450	2000	→	2004	F	292	56	5	5	8.5	82.5	RPF/RP/R/R
FXD DYNA SUPER GLIDE (FD1/e4/0029)	1450	2000	→	2003	F	292	56	5	5	8.5	82.5	RPF/RP/R/R
FXDL DYNA LOW RIDER (FD1/e4/0029)	1450	2000	→	2003	F	292	56	5	5	8.5	82.5	RPF/RP/R/R
FXDS DYNA SUPER GLIDE SPORT	1450	2000	→		F	292	56	5	5	8.5	82.5	RPF/RP/R/R
FXDWG DYNA WIDE GLIDE (FD1/e4/0029)	1450	2000	→	2006	F	292	56	5	5	8.5	82.5	RPF/RP/R/R
FXSTB/I NIGHT TRAIN (FS2/e4/0002)	1450	2000	→	2006	F	292	56	5	5	8.5	82.5	RPF/RP/R/R
FXSTD/I SOFTAIL DEUCE (FS2/e4/0002)	1450	2000	→	2004	F	292	56	5	5	8.5	82.5	RPF/RP/R/R
FXDX DYNA SUPER GLIDE T-SPORT	1500	2001	→		F	292	56	5	5	8.5	82.5	RPF/RP/R/R
FXST SOFTAIL STANDARD	1500	2001	→		F	292	56	5	5	8.5	82.5	RPF/RP/R/R
FLHRC ROAD KING CLASSIC	1584	2007	→		F	292	56	5	5	8.5	82.5	RPF/RP/R/R
FLHT/I ELECTRA GLIDE STANDARD	1584	2007	→		F	292	56	5	5	8.5	82.5	RPF/RP/R/R
FLHTCU ELECTRA GLIDE ULTRA CLASSIC	1584	2007	→	2008	F	292	56	5	5	8.5	82.5	RPF/RP/R/R
FLSTB FAT BOY SPECIAL	1584	2010	→	2011	F	292	56	5	5	8.5	82.5	RPF/RP/R/R
FLSTB SOFTAIL CROSS BONES	1584	2008	→	2011	F	292	56	5	5	8.5	82.5	RPF/RP/R/R
FLSTC HERITAGE SOFTAIL CLASSIC	1584	2007	→		F	292	56	5	5	8.5	82.5	RPF/RP/R/R
FLSTC HERITAGE SOFTAIL CLASSIC	1584	2008	→	2011	F	292	56	5	5	8.5	82.5	RPF/RP/R/R
FLSTF FAT BOY	1584	2007	→		F	292	56	5	5	8.5	82.5	RPF/RP/R/R
FLSTF FAT BOY	1584	2008	→	2011	F	292	56	5	5	8.5	82.5	RPF/RP/R/R
FLSTN SOFTAIL DELUXE	1584	2005	→	2006	F	292	56	5	5	8.5	82.5	RPF/RP/R/R
FLSTN SOFTAIL DELUXE	1584	2007	→		F	292	56	5	5	8.5	82.5	RPF/RP/R/R
FLSTN SOFTAIL DELUXE	1584	2008	→	2011	F	292	56	5	5	8.5	82.5	RPF/RP/R/R
FLTSE CVO SOFTAIL CONVERTIBLE	1584	2010	→	2011	F	292	56	5	5	8.5	82.5	RPF/RP/R/R
FXCW ROCKER	1584	2008	→	2009	F	292	56	5	5	8.5	82.5	RPF/RP/R/R
FXCWC ROCKER C	1584	2008	→	2011	F	292	56	5	5	8.5	82.5	RPF/RP/R/R
FXSTB NIGHT TRAIN	1584	2008	→	2010	F	292	56	5	5	8.5	82.5	RPF/RP/R/R
FXSTC SOFTAIL CUSTOM	1584	2008	→	2010	F	292	56	5	5	8.5	82.5	RPF/RP/R/R
FXSTSS CVO SOFTAIL SPRINGER	1584	2009	→		F	292	56	5	5	8.5	82.5	RPF/RP/R/R

FMD0267

HARLEY D.

XL 883 R SPORTSTER (XL1/e4/0028)	883	2000	→	2003	R	292	56	5	5	10.5	82.5	RPF/RP/R/R
XL 883 SPORTSTER CUSTOM	883	2004	→	2010	R	292	56	5	5	10.5	82.5	RPF/RP/R/R
XLH 883 SPORTSTER (XL1/e4/0028)	883	2000	→	2003	R	292	56	5	5	10.5	82.5	RPF/RP/R/R
XLH 883 SPORTSTER HUGGER (XL1/e4/0028)	883	2000	→	2003	R	292	56	5	5	10.5	82.5	RPF/RP/R/R
XLR 883 CUSTOM 53	883	2001	→		R	292	56	5	5	10.5	82.5	RPF/RP/R/R
XL 1200 SPORTSTER	1200	2004	→	2006	R	292	56	5	5	10.5	82.5	RPF/RP/R/R
XL 1200 SPORTSTER CUSTOM	1200	2000	→	2003	R	292	56	5	5	10.5	82.5	RPF/RP/R/R
XL 1200 SPORTSTER SPORT (XL1/e4/0028)	1200	2000	→	2003	R	292	56	5	5	10.5	82.5	RPF/RP/R/R
FLSTC 1340 HERITAGE SOFTAIL CLASSIC	1340	2000	→	2002	R	292	56	5	5	10.5	82.5	RPF/RP/R/R
FLSTC FAT BOY	1340	2000	→	2002	R	292	56	5	5	10.5	82.5	RPF/RP/R/R
FXLR 1340 LOW RIDER CUSTOM	1340	2000	→		R	292	56	5	5	10.5	82.5	RPF/RP/R/R
FXSTS 1340 SPRINGER SOFTAIL	1340	2000	→	2002	R	292	56	5	5	10.5	82.5	RPF/RP/R/R
FLHT/I ELECTRA GLIDE STANDARD (FL1/e4/0030)	1450	2000	→	2004	R	292	56	5	5	10.5	82.5	RPF/RP/R/R
FLHTCUI ELECTRA GLIDE ULTRA CLASSIC (FL1/e4/0030)	1450	2000	→	2004	R	292	56	5	5	10.5	82.5	RPF/RP/R/R
FLSTS/I HERITAGE SPRINGER (FS2/e4/0002)	1450	2000	→	2003	R	292	56	5	5	10.5	82.5	RPF/RP/R/R
FLTR/I ROAD GLIDE CLASSIC (FL1/e4/0030)	1450	2000	→	2004	R	292	56	5	5	10.5	82.5	RPF/RP/R/R
FXD DYNA SUPER GLIDE (FD1/e4/0029)	1450	2000	→	2003	R	292	56	5	5	10.5	82.5	RPF/RP/R/R
FXDL DYNA LOW RIDER (FD1/e4/0029)	1450	2000	→	2003	R	292	56	5	5	10.5	82.5	RPF/RP/R/R
FXDS DYNA SUPER GLIDE SPORT	1450	2000	→		R	292	56	5	5	10.5	82.5	RPF/RP/R/R
FXDWG DYNA WIDE GLIDE (FD1/e4/0029)	1450	2000	→	2006	R	292	56	5	5	10.5	82.5	RPF/RP/R/R
FXSTB/I NIGHT TRAIN (FS2/e4/0002)	1450	2000	→	2006	R	292	56	5	5	10.5	82.5	RPF/RP/R/R
FXSTD/I SOFTAIL DEUCE (FS2/e4/0002)	1450	2000	→	2004	R	292	56	5	5	10.5	82.5	RPF/RP/R/R
FXDX DYNA SUPER GLIDE T-SPORT	1500	2001	→		R	292	56	5	5	10.5	82.5	RPF/RP/R/R
FXST SOFTAIL STANDARD	1500	2001	→		R	292	56	5	5	10.5	82.5	RPF/RP/R/R



CC

Front
Rear

Outside Dia (mm)

Inside Dia (mm)

Thickness (mm)

No. of Fixing hole

Fixing hole dia. (mm)

Fix. hole centreline diam (mm)

DISC TYPE

...															
FMD0267		FLHRC ROAD KING CLASSIC	1584	2007	→	R	292	56	5	5	10.5	82.5	RPF/RP/RFR		
		FLHTI ELECTRA GLIDE STANDARD	1584	2007	→	R	292	56	5	5	10.5	82.5	RPF/RP/RFR		
		FLHTCU ELECTRA GLIDE ULTRA CLASSIC	1584	2007	→	2008	R	292	56	5	5	10.5	82.5	RPF/RP/RFR	
		FLSTB FAT BOY SPECIAL	1584	2010	→	2011	R	292	56	5	5	10.5	82.5	RPF/RP/RFR	
		FLSTB SOFTAIL CROSS BONES	1584	2008	→	2011	R	292	56	5	5	10.5	82.5	RPF/RP/RFR	
		FLSTC HERITAGE SOFTAIL CLASSIC	1584	2007	→	R	292	56	5	5	10.5	82.5	RPF/RP/RFR		
		FLSTC HERITAGE SOFTAIL CLASSIC	1584	2008	→	2011	R	292	56	5	5	10.5	82.5	RPF/RP/RFR	
		FLSTF FAT BOY	1584	2007	→	R	292	56	5	5	10.5	82.5	RPF/RP/RFR		
		FLSTF FAT BOY	1584	2008	→	2011	R	292	56	5	5	10.5	82.5	RPF/RP/RFR	
		FLSTN SOFTAIL DELUXE	1584	2005	→	2006	R	292	56	5	5	10.5	82.5	RPF/RP/RFR	
		FLSTN SOFTAIL DELUXE	1584	2007	→	R	292	56	5	5	10.5	82.5	RPF/RP/RFR		
		FLSTN SOFTAIL DELUXE	1584	2008	→	2011	R	292	56	5	5	10.5	82.5	RPF/RP/RFR	
		FLSTSE CVO SOFTAIL CONVERTIBLE	1584	2010	→	2011	R	292	56	5	5	10.5	82.5	RPF/RP/RFR	
		FXCW ROCKER	1584	2008	→	2009	R	292	56	5	5	10.5	82.5	RPF/RP/RFR	
		FXCWC ROCKER C	1584	2008	→	2011	R	292	56	5	5	10.5	82.5	RPF/RP/RFR	
		FXD DYNA SUPER GLIDE	1584	2006	→	2010	R	292	56	5	5	10.5	82.5	RPF/RP/RFR	
		FXSTB NIGHT TRAIN	1584	2008	→	2010	R	292	56	5	5	10.5	82.5	RPF/RP/RFR	
		FXSTC SOFTAIL CUSTOM	1584	2008	→	2010	R	292	56	5	5	10.5	82.5	RPF/RP/RFR	
		FXSTSS CVO SOFTAIL SPRINGER	1584	2009	→	R	292	56	5	5	10.5	82.5	RPF/RP/RFR		
	FMD0270	HONDA	TRX EX SPORTRAX	250	2001	→	2007	F	174	53	3	3	10.5	72	R
		TRX R	250	1988	→	1989	F	174	53	3	3	10.5	72	R	
		TRX X	250	1988	→	1992	F	174	53	3	3	10.5	72	R	
		TRX EX	300	1993	→	2006	F	174	53	3	3	10.5	72	R	
		TRX EX	400	1999	→	2007	F	174	53	3	3	10.5	72	R	
		TRX EX FOURTRAX	400	1999	→	2002	F	174	53	3	3	10.5	72	R	
		TRX EX FOURTRAX	400	2001	→	R	174	53	3	3	10.5	72	R		
		TRX R	450	2004	→	2007	F	174	53	3	3	10.5	72	R	
FMD0271	HONDA	CN scooter	250	1988	→	F	187	72	4	4	10.5	94	R		
FMD0273	YAMAHA	YFS R BLASTER	200	2003	→	2006	F	161	48	3.5	4	10.5	66	R	
		YFM RAPTOR	250	2008	→	2009	F	161	48	3.5	4	10.5	66	R	
		YFM R RAPTOR	350	2004	→	2007	F	161	48	3.5	4	10.5	66	R	
		YFM X WARRIOR	350	1987	→	1988	F	161	48	3.5	4	10.5	66	R	
		YFM X WARRIOR	350	1989	→	2003	F	161	48	3.5	4	10.5	66	R	
		YFZ BANSHEE A-M	350	1990	→	2006	F	161	48	3.5	4	10.5	66	R	
		YFZ BANSHEE T-W	350	1987	→	1989	F	161	48	3.5	4	10.5	66	R	
		YFZ S	450	2004	→	2005	F	161	48	3.5	4	10.5	66	R	
		YFZ S	450	2006	→	2007	F	161	48	3.5	4	10.5	66	R	
		YFM RN RAPTOR	660	2001	→	2005	F	161	48	3.5	4	10.5	66	R	
		YFM RN RAPTOR	700	2006	→	R	161	48	3.5	4	10.5	66	R		
	FMD0274	YAMAHA	YFS BLASTER	200	1988	→	2002	R	220	58.3	4	4	8.5	76	R
			YFS R BLASTER	200	2003	→	2006	R	220	58.3	4	4	8.5	76	R
			YFZ BANSHEE A-M	350	1990	→	2006	R	220	58.3	4	4	8.5	76	R
		YFZ BANSHEE T-W	350	1987	→	1989	R	220	58.3	4	4	8.5	76	R	
		YFM RN RAPTOR	660	2001	→	2005	R	220	58.3	4	4	8.5	76	R	
FMD0275	YAMAHA	XV S VIRAGO (3BR/E743)	535	1996	→	R	298	132	5	6	10.5	150	RPF		
		XVS DRAG STAR	600	1997	→	F	298	132	5	6	10.5	150	RPF		
		XVS DRAG STAR-CLASSIC	650	1997	→	F	298	132	5	6	10.5	150	RPF		
		XVS DRAG STAR	1100	1999	→	2006	F	298	132	5	6	10.5	150	RPF	
		XVS DRAG STAR (VP05/K331)	1100	1999	→	2006	F	298	132	5	6	10.5	150	RPF	
		V MAX	1200	1993	→	2006	F	298	132	5	6	10.5	150	RPF	
		XVZ ROYAL STAR	1300	1996	→	R	298	132	5	6	10.5	150	RPF		
		XVZ13TF WILD STAR	1300	1999	→	R	298	132	5	6	10.5	150	RPF		
		XVS WILD STAR-ROAD STAR	1600	1999	→	R	298	132	5	6	10.5	150	RPF		
		GS	125	1989	→	1992	F	240	124	3	6	6.5	143	R	
FMD0278	KTM	GS-MX	125	1988	→	F	240	124	3	6	6.5	143	R		
		MX	125	1989	→	1991	F	240	124	3	6	6.5	143	R	
		GS	250	1988	→	1989	F	240	124	3	6	6.5	143	R	
		GS	250	1990	→	1992	F	240	124	3	6	6.5	143	R	
		GS-MX	250	1988	→	F	240	124	3	6	6.5	143	R		
		MX	250	1989	→	1991	F	240	124	3	6	6.5	143	R	
		MX	500	1989	→	1991	F	240	124	3	6	6.5	143	R	
		MX	600	1990	→	1991	F	240	124	3	6	6.5	143	R	
	FMD0279	KTM	ADVENTURE	620	1997	→	F	300	127	4	6	6.5	143	RF	
			LC4 ADVENTURE	640	2004	→	2007	F	300	127	4	6	6.5	143	RF
		LC4 ADVENTURE (KTM-4T-EGS/e1/00007)	640	1998	→	2000	F	300	127	4	6	6.5	143	RF	
		LC4 ENDURO (KTM-4T-EGS/e1/00007)	640	1999	→	2007	F	300	127	4	6	6.5	143	RF	
		LC8 ADVENTURE (KTM LC8/e1/00180)	950	2002	→	2007	F	300	127	4	6	6.5	143	RF	
		SUPER ENDURO R	950	2006	→	2007	F	300	127	4	6	6.5	143	RF	
		LC8 ADVENTURE S	990	2006	→	2007	F	300	127	4	6	6.5	143	RF	
FMD0281	YAMAHA	FZ1	1000	2006	→	2011	F	320	132	5	5	8.5	150	RX	
		FZ1 FAZER	1000	2006	→	F	320	132	5	5	8.5	150	RX		
		FZ1 FAZER ABS	1000	2007	→	F	320	132	5	5	8.5	150	RX		
		YZF R1	1000	2004	→	2006	F	320	132	5	5	8.5	150	RX	
FMD0338	HARLEY D.	V-ROD VRSCB	1130	2004	→	2006	F	292	170.2	5	5	13.5	172.5	R	
		VRSCA V-ROD	1130	2002	→	2005	F	292	170.2	5	5	13.5	172.5	R	
FMD0339	HARLEY D.	V-ROD VRSCB	1130	2004	→	2006	R	292	101.5	5	5	11	126.5	RF	
		VRSCA V-ROD	1130	2002	→	2005	R	292	101.5	5	5	11	126.5	RF	
FMD0340	KAWASAKI	KLX R	250	1993	→	R	230	100.3	4	6	10.5	116	R		



CC

Front
Rear

Outside Dia (mm)

Inside Dia (mm)

Thickness (mm)

No. of Fixing hole

Fixing hole dia. (mm)

Fix. hole centreline diam (mm)

DISC TYPE

Part No.	Brand	Model	Capacity (CC)	Year	Direction	Front	Rear	Outside Dia (mm)	Inside Dia (mm)	Thickness (mm)	No. of Fixing hole	Fixing hole dia. (mm)	Fix. hole centreline diam (mm)	DISC TYPE
...FMD0340		KLX SE SR	250	1993	→	R	230	100.3	4	6	10.5	116	R	
		KLX R (KLX650C/G245)	650	1993	→	1995	R	230	100.3	4	6	10.5	116	R
		KLX S	650	1993	→		R	230	100.3	4	6	10.5	116	R
FMD0342	SUZUKI	RM	85	2005	→	2007	R	200	84.5	3	4	4	100	R
FMD0343	KAWASAKI	ZX6RR NINJA (Rad.cal) (ZX600K/e1/0174)	600	2003	→	2004	F	280	80.5	5	5	10.5	100	RX
		ZX6R 636 NINJA (Rad.cal) (ZX636B/e4/0180)	636	2003	→	2004	F	280	80.5	5	5	10.5	100	RX
FMD0349	SUZUKI	GSX F	600	2004	→		F	290	69	5	5	10.5	91	RX
		GSF BANDIT	650	2005	→	2006	F	290	69	5	5	10.5	91	RX
		SV - SV S	650	2003	→	2006	F	290	69	5	5	10.5	91	RX
		GSX F	750	2004	→	2006	F	290	69	5	5	10.5	91	RX
FMD0350	KAWASAKI	ZX6R NINJA	600	2007	→		F	300	80.5	5	5	10.5	100	RX
		ZX6RR NINJA	600	2005	→	2006	F	300	80.5	5	5	10.5	100	RX
		ZX6R 636 NINJA	636	2005	→	2006	F	300	80.5	5	5	10.5	100	RX
		ER-6F/ NINJA 650R	650	2006	→	2007	F	300	80.5	5	5	10.5	100	RX
		ER-6N	650	2006	→	2007	F	300	80.5	5	5	10.5	100	RX
		VERSYS	650	2007	→		F	300	80.5	5	5	10.5	100	RX
		Z 750	750	2007	→		F	300	80.5	5	5	10.5	100	RX
		Z 750 R	750	2011	→	2012	F	300	80.5	5	5	10.5	100	RX
		Z 750 R - ABS	750	2011	→	2012	F	300	80.5	5	5	10.5	100	RX
		VERSYS	1000	2012	→		F	300	80.5	5	5	10.5	100	RX
		Z 1000	1000	2007	→		F	300	80.5	5	5	10.5	100	RX
		ZX10R NINJA (Rad.cal)	1000	2006	→	2007	F	300	80.5	5	5	10.5	100	RX
		ZX10R NINJA (Rad.cal) (ZXT00C/e4/0246)	1000	2004	→	2005	F	300	80.5	5	5	10.5	100	RX
FMD0352	APRILIA	RSV	1000	2001	→	2003	F	320	64	5	6	8.5	80	RX
		RSV FACTORY	1000	2003	→	2007	F	320	64	5	6	8.5	80	RX
		RSV R	1000	2001	→	2009	F	320	64	5	6	8.5	80	RX
		RSV4 FACTORY APRC	1000	2011	→	2012	F	320	64	5	6	8.5	80	RX
		RSV4 R	1000	2009	→	2012	F	320	64	5	6	8.5	80	RX
		TUONO R (4 pads per caliper)	1000	2003	→	2005	F	320	64	5	6	8.5	80	RX
		TUONO RACING	1000	2004	→	2005	F	320	64	5	6	8.5	80	RX
		TUONO V4 R	1000	2011	→		F	320	64	5	6	8.5	80	RX
		TUONO V4 R APRC	1000	2011	→		F	320	64	5	6	8.5	80	RX
		DORSODURO	1200	2011	→	2012	F	320	64	5	6	8.5	80	RX
		DORSODURO ABS	1200	2011	→		F	320	64	5	6	8.5	80	RX
	BENELLI	TORNADO TRE	900	2003	→	2006	F	320	64	5	6	8.5	80	RX
		TORNADO TRE RS	900	2004	→	2006	F	320	64	5	6	8.5	80	RX
		TNT CAFE RACER	1130	2005	→	2007	F	320	64	5	6	8.5	80	RX
		TNT RS	1130	2005	→	2007	F	320	64	5	6	8.5	80	RX
		TNT TITANIUM	1130	2005	→	2007	F	320	64	5	6	8.5	80	RX
		TORNADO	1130	2006	→		F	320	64	5	6	8.5	80	RX
	BIMOTA	SB8K SANTAMONICA	1000	2006	→		F	320	64	5	6	8.5	80	RX
	DUCATI	998 S (four pads) (H2/e1/00012)	998	2002	→	2003	F	320	64	5	6	8.5	80	RX
	KTM	SUPERDUKE	990	2005	→	2007	F	320	64	5	6	8.5	80	RX
	YAMAHA	YZF R, SP (4HN,4HT/G346/347)	750	1993	→	1996	F	320	64	5	6	8.5	80	RX
		FZR EXUP (3LE/F128)	1000	1994	→	1995	F	320	64	5	6	8.5	80	RX
FMD0353	BOMBARDIER	DS X	650	2001	→	2002	F	165	48.5	4	4	8.3	66	R
FMD0355	HONDA	TRX X	250	1987	→		R	220	58	4	3	8.5	80	R
		TRX X	250	1988	→	1992	R	220	58	4	3	8.5	80	R
		TRX EX	300	1993	→	2006	R	220	58	4	3	8.5	80	R
		TRX EX SPORTRAX	300	2001	→		R	220	58	4	3	8.5	80	R
FMD0357	KAWASAKI	KFX	400	2002	→	2006	F	170	48	3.5	3	10.5	68	R
	SUZUKI	LT Z	250	2005	→	2007	F	170	48	3.5	3	10.5	68	R
		LT Z QUADSPORT	400	2002	→	2007	F	170	48	3.5	3	10.5	68	R
		LT R QUADRACER	500	1987	→	1990	F	170	48	3.5	3	10.5	68	R
FMD0360	YAMAHA	YFM R RAPTOR	350	2004	→	2007	R	200	51	3.5	4	8.5	67	R
		YFZ S	450	2004	→	2005	R	200	51	3.5	4	8.5	67	R
FMD0389	DUCATI	749	748	2002	→	2006	R	240	107	4	5	8.5	125	R
		749 R (Rad.cal) (H5/e3/0153)	748	2003	→	2007	R	240	107	4	5	8.5	125	R
		749 S (H5/e3/0153)	748	2003	→	2006	R	240	107	4	5	8.5	125	R
		999 BIPOSTO	998	2002	→	2006	R	240	107	4	5	8.5	125	R
		999 S (H4/e3/0147)	998	2002	→	2007	R	240	107	4	5	8.5	125	R
		999 R (H4/e3/0147)	999	2002	→	2007	R	240	107	4	5	8.5	125	R
FMD0390	DUCATI	HYPERMOTARD 796	800	2010	→	2012	R	245	108.3	5	4	8.5	125	R
		MONSTER 796	800	2011	→		R	245	108.3	5	4	8.5	125	R
		MONSTER 796 ABS	800	2011	→	2012	R	245	108.3	5	4	8.5	125	R
		S2R MONSTER	800	2005	→	2006	R	245	108.3	5	4	8.5	125	R
		848	850	2008	→	2010	R	245	108.3	5	4	8.5	125	R
		848 EVO	850	2011	→		R	245	108.3	5	4	8.5	125	R
		STREETFIGHTER	850	2012	→		R	245	108.3	5	4	8.5	125	R
		S4R MONSTER	996	2003	→	2006	R	245	108.3	5	4	8.5	125	R
		S4R Testastretta MONSTER	998	2007	→		R	245	108.3	5	4	8.5	125	R
		S4RS Testastretta MONSTER	998	2006	→	2007	R	245	108.3	5	4	8.5	125	R
		MONSTER S2R	1000	2006	→	2007	R	245	108.3	5	4	8.5	125	R
		MULTISTRADA DS (A1/e3/0167)	1000	2003	→	2006	R	245	108.3	5	4	8.5	125	R
		MULTISTRADA DS S	1000	2005	→	2006	R	245	108.3	5	4	8.5	125	R
		S2R MONSTER	1000	2006	→		R	245	108.3	5	4	8.5	125	R
		HYPERMOTARD	1100	2007	→	2009	R	245	108.3	5	4	8.5	125	R
		HYPERMOTARD EVO	1100	2010	→	2011	R	245	108.3	5	4	8.5	125	R



CC

Front
Rear

Outside Dia (mm)

Inside Dia (mm)

Thickness (mm)

No. of Fixing hole

Fixing hole dia. (mm)

Fix. hole central dia (mm)

DISC TYPE

Code	Brand	Model	Capacity	Year	Direction	Front	Outside Dia (mm)	Inside Dia (mm)	Thickness (mm)	No. of Fixing hole	Fixing hole dia. (mm)	Fix. hole central dia (mm)	DISC TYPE
...FMD0390		HYPERMOTARD EVO	1100	2012	→	R	245	108.3	5	4	8.5	125	R
		HYPERMOTARD EVO SP	1100	2010	→ 2011	R	245	108.3	5	4	8.5	125	R
		HYPERMOTARD EVO SP	1100	2012	→	R	245	108.3	5	4	8.5	125	R
		HYPERMOTARD S	1100	2007	→ 2009	R	245	108.3	5	4	8.5	125	R
		MONSTER 1100	1100	2009	→ 2010	R	245	108.3	5	4	8.5	125	R
		MONSTER 1100 S	1100	2009	→ 2010	R	245	108.3	5	4	8.5	125	R
		MONSTER EVO ABS	1100	2011	→ 2012	R	245	108.3	5	4	8.5	125	R
		MULTISTRADA DS	1100	2007	→	R	245	108.3	5	4	8.5	125	R
		MULTISTRADA DS S	1100	2007	→	R	245	108.3	5	4	8.5	125	R
FMD0391	HARLEY D.	FLSTC/I HERITAGE SOFTAIL CLASSIC (FS2/e4/0002)	1450	2000	→ 2006	F	292	56	5	5	8.5	82.5	RF
		FLSTF/I FAT BOY (FS2/e4/0002)	1450	2003	→ 2006	F	292	56	5	5	8.5	82.5	RF
FMD0393	SUZUKI	GSX R (Rad.cal)	600	2006	→ 2007	F	310	100	5	5	10.5	120	RX
		GSX R (Rad.cal)	750	2006	→ 2007	F	310	100	5	5	10.5	120	RX
		GSX R (Rad.cal)	1000	2005	→ 2006	F	310	100	5	5	10.5	120	RX
		GSX R (Rad.cal)	1000	2007	→ 2008	F	310	100	5	5	10.5	120	RX
FMD0394	YAMAHA	YZF R6	600	2005	→ 2013	F	310	132	5	5	8.5	150	RX
		YZF R1	1000	2007	→ 2011	F	310	132	5	5	8.5	150	RX
FMD0399	KTM	SX	85	2003	→ 2006	F	220	95	3	4	6.2	110	R
		SX	105	2004	→ 2007	F	220	95	3	4	6.2	110	R
FMD0400	KTM	SX	85	2003	→ 2006	R	200	110	3	4	6.2	124.5	R
		SX	105	2004	→ 2007	R	200	110	3	4	6.2	124.5	R
FMD0401	APRILIA	SXV	450	2005	→ 2007	F	320	105	5	5	6.5	120	RX
		SXV	550	2005	→ 2007	F	320	105	5	5	6.5	120	RX
FMD0402	TM	MX - EN 125	125	2005	→	R	243	114	4.5	4	6.5	128	R
		MX - EN 250 all models	250	2005	→	R	243	114	4.5	4	6.5	128	R
		MX - EN 450 all models	450	2005	→	R	243	114	4.5	4	6.5	128	R
		MX - EN 530 all models	530	2005	→	R	243	114	4.5	4	6.5	128	R
FMD0403	HONDA	ST PAN EUROPEAN ABS-TCS-CBS (SC26/F440)	1100	1996	→ 2001	R	316	184.2	7.5	6	10.7	206	R
		GL 1500 C CUSTOM	1500	2000	→	R	316	184.2	7.5	6	10.7	206	R
		GL 1500 GOLD WING	1500	1991	→	R	316	184.2	7.5	6	10.7	206	R
FMD0404	HONDA	CRE DERAPAGE (HM)	50	1999	→ 2002	F	240	124	3	6	6.5	138	R
FMD0405	YAMAHA	FZ6-FAZER (RJ07/e13/0072)	600	2004	→ 2007	R	245	105	5	5	10.5	125	R
		MT03	660	2006	→	R	245	105	5	5	10.5	125	R
		FZ1	1000	2006	→ 2011	R	245	105	5	5	10.5	125	R
		FZ1 FAZER	1000	2006	→	R	245	105	5	5	10.5	125	R
		FZ1 FAZER ABS	1000	2007	→	R	245	105	5	5	10.5	125	R
FMD0406	APRILIA	RXV	450	2005	→ 2007	R	240	102	4	5	10.5	120	R
		SXV	450	2005	→ 2007	R	240	102	4	5	10.5	120	R
		RXV	550	2005	→ 2007	R	240	102	4	5	10.5	120	R
		SXV	550	2005	→ 2007	R	240	102	4	5	10.5	120	R
FMD0407	BMW	F 650 GS	650	2008	→ 2011	R	265	136.5	5	5	10.5	160	R
		F 650 GS ABS	650	2008	→ 2011	R	265	136.5	5	5	10.5	160	R
		F 800 GS	800	2009	→ 2011	R	265	136.5	5	5	10.5	160	R
		F 800 R	800	2009	→ 2011	R	265	136.5	5	5	10.5	160	R
		F 800 S	800	2006	→ 2010	R	265	136.5	5	5	10.5	160	R
		F 800 ST	800	2006	→ 2011	R	265	136.5	5	5	10.5	160	R
		HP2	1200	2006	→	R	265	136.5	5	5	10.5	160	R
		HP2 Megamoto	1200	2007	→	R	265	136.5	5	5	10.5	160	R
		HP2 SPORT	1200	2008	→ 2011	R	265	136.5	5	5	10.5	160	R
		K 1200 R	1200	2005	→	R	265	136.5	5	5	10.5	160	R
		K 1200 S	1200	2005	→ 2006	R	265	136.5	5	5	10.5	160	R
		R 1200 GS	1200	2004	→ 2006	R	265	136.5	5	5	10.5	160	R
		R 1200 GS ADVENTURE	1200	2006	→	R	265	136.5	5	5	10.5	160	R
		R 1200 R	1200	2006	→ 2007	R	265	136.5	5	5	10.5	160	R
		R 1200 RT	1200	2005	→ 2006	R	265	136.5	5	5	10.5	160	R
		R 1200 S	1200	2006	→	R	265	136.5	5	5	10.5	160	R
		R 1200 ST	1200	2005	→ 2006	R	265	136.5	5	5	10.5	160	R
		K 1300 R - ABS	1300	2008	→ 2011	R	265	136.5	5	5	10.5	160	R
		K 1300 S	1300	2009	→ 2012	R	265	136.5	5	5	10.5	160	R
	HARLEY D.	FXD DYNA STREET BOB	1584	2006	→ 2010	R	265	136.5	5	5	10.5	160	R
	HUSQVARNA	NUDA	900	2012	→	R	265	136.5	5	5	10.5	160	R
		NUDA R	900	2012	→	R	265	136.5	5	5	10.5	160	R
FMD0408	YAMAHA	YP MAJESTY	400	2004	→	R	267	132,1	4	3	8,6	150	R
		YP MAJESTY	400	2005	→	R	267	132,1	4	3	8,6	150	R
FMD0409	HONDA	SH // ABS scooter	300	2006	→	R	256	144,4	5	6	10,5	166	R
FMD0410	KAWASAKI	ZX10R NINJA (Rad.cal)	1000	2008	→	F	310	80,5	5	5	10,5	100	RX
		GTR	1400	2007	→ 2011	F	310	80,5	5	5	10,5	100	RX
		ZZR-ZX14R NINJA	1400	2006	→ 2008	F	310	80,5	5	5	10,5	100	RX
FMD0411	HONDA	CBR RR	1000	2008	→ 2009	F	320	94	5	6	6,5	115	RX
FMD0412	SUZUKI	GSX R	600	2008	→ 2012	F	310	102	5	6	8,15	120	RX
		GSX R	750	2008	→ 2012	F	310	102	5	6	8,15	120	RX
		GSX R (Rad.cal)	1000	2009	→	F	310	102	5	6	8,15	120	RX
FMD0413	BENELLI	ADIVA	125	2000	→ 2002	R	220	96,1	4	5	6,6	107	R
		ADIVA	150	2000	→ 2002	R	220	96,1	4	5	6,6	107	R
FMD0414	HONDA	SKY 50	50	1997	→	F	190	58,2	4	3	10,5	80	R
		SKY VETRO 50	50	2000	→	F	190	58,2	4	3	10,5	80	R
	PEUGEOT	METAL X 50	50	2002	→	F	190	58,2	4	3	10,5	80	R
		VIVACITY 50 VSX -XR, CATALITICO	50	2002	→ 2004	F	190	58,2	4	3	10,5	80	R



Front
Rear

Outside Dia (mm)

Inside Dia (mm)

Thickness (mm)

No. of Fixing hole

Fixing hole dia. (mm)

Fit. hole central dia (mm)

DISC TYPE

Code	Brand	Model	CC	Year	Direction	Front	Outside Dia (mm)	Inside Dia (mm)	Thickness (mm)	No. of Fixing hole	Fixing hole dia. (mm)	Fit. hole central dia (mm)	DISC TYPE
...FMD0414		LOOXOR 100	100	2001	→	R	190	58,2	4	3	10,5	80	R
FMD0415	PEUGEOT	LOOXOR 50, 50 TSDI	50	2001	→ 2003	F	226	105	4	5	6,3	120	R
		LOOXOR 100	100	2001	→	F	226	105	4	5	6,3	120	R
		LOOXOR 125	125	2002	→ 2003	F	226	105	4	5	6,3	120	R
		LOOXOR 150	150	2002	→ 2003	F	226	105	4	5	6,3	120	R
FMD0416	SYM	EURO 125 MX	125	2002	→	F	273	173,1	4	5	10,6	250	R
		EURO 125 MX EURO2	125	2003	→ 2004	F	273	173,1	4	5	10,6	250	R
		JOY RIDE 125	125	2001	→ 2002	F	273	173,1	4	5	10,6	250	R
		JOY RIDE 125 EURO 3	125	2007	→	F	273	173,1	4	5	10,6	250	R
		JOY RIDE 125 EURO2	125	2003	→ 2006	F	273	173,1	4	5	10,6	250	R
		SHARK 125	125	1999	→ 2002	F	273	173,1	4	5	10,6	250	R
		VS 125	125	2006	→	F	273	173,1	4	5	10,6	250	R
		EURO MX 150	150	2002	→	F	273	173,1	4	5	10,6	250	R
		EURO MX 150 EURO 2	150	2003	→ 2004	F	273	173,1	4	5	10,6	250	R
		JOY RIDE 150	150	2001	→ 2002	F	273	173,1	4	5	10,6	250	R
		SHARK 150	150	2000	→ 2001	F	273	173,1	4	5	10,6	250	R
		VS 150	150	2007	→	F	273	173,1	4	5	10,6	250	R
FMD0417	SYM	JOY RIDE 200 EURO 2	200	2003	→ 2006	F	273	173,1	4	5	10,6	250	R
		HD 125 EURO 2	125	2003	→ 2004	F	220	97,2	4	5	10,8	120	R
		HD EVO 125	125	2005	→ 2006	F	220	97,2	4	5	10,8	120	R
		HD 200 EU 2	200	2003	→ 2004	F	220	97,2	4	5	10,8	120	R
		HD 200 EURO 3	200	2007	→	F	220	97,2	4	5	10,8	120	R
		HD EVO 200 EURO 2	200	2005	→ 2006	F	220	97,2	4	5	10,8	120	R
		HD EVO 200 EURO 3	200	2007	→	F	220	97,2	4	5	10,8	120	R
FMD0418	SYM	JOY RIDE 125 EURO 3	125	2007	→	R	200	73	4	3	10,5	95	R
		JOY RIDE 125 EURO2	125	2003	→ 2006	R	200	73	4	3	10,5	95	R
		JOY RIDE 200 EURO 2	200	2003	→ 2006	R	200	73	4	3	10,5	95	R
FMD0419	SYM	HD EVO 125	125	2005	→ 2006	R	220	110	5	5	10,7	132	R
		HD EVO 200 EURO 2	200	2005	→ 2006	R	220	110	5	5	10,7	132	R
		HD EVO 200 EURO 3	200	2007	→	R	220	110	5	5	10,7	132	R
		JOY MAX 250	250		→	R	220	110	5	5	10,7	132	R
FMD0420	SYM	JOY MAX 250	250		→	F	240	98	4,5	5	11	125	R
FMD0421	SUZUKI	AN 400 BURGMAN	400	2007	→ 2008	R	210	89,2	5	6	10,4	110	R
FMD0422	YAMAHA	XP 500 T MAX	500	2008	→ 2009	F	267	132,1	4	6	8,6	150	RF
		XP 500 T MAX ABS	500	2008	→ 2009	F	267	132,1	4	6	8,6	150	RF
FMD0423	KYMCO	DINK 50 4T	50	2007	→	F	240	88,1	4	5	10,6	110	R
		DINK 125 Euro 3	125	2006	→ 2007	F	240	88,1	4	5	10,6	110	R
		DINK 200 Euro 3	200	2006	→ 2007	F	240	88,1	4	5	10,6	110	R
FMD0424	YAMAHA	VP 125 X-CITY	125	2008	→ 2009	F	270	128,3	5	6	8,6	146,2	R
		VP 250 X-CITY	250	2007	→ 2008	F	270	128,3	5	6	8,6	146,2	R
FMD0425	HONDA	SH 125 (rear disc version)	125	2009	→	F	240	105,1	4	4	10,6	125,1	R
		SH 150 (rear disc version)	150	2009	→	F	240	105,1	4	4	10,6	125,1	R
FMD0426	HONDA	SH 125 (rear disc version)	125	2009	→	R	240	105,1	5	4	10,6	125,1	R
		SH 150 (rear disc version)	150	2009	→	R	240	105,1	5	4	10,6	125,1	R
FMD0430	HARLEY D.	FLHR/I ROAD KING	1584	2008	→ 2010	F	300	56.30	5	5	8.5	82.5	R
		FLHRC ROAD KING CLASSIC	1584	2008	→ 2011	F	300	56.30	5	5	8.5	82.5	R
		FLHRC ROAD KING CLASSIC	1584	2008	→ 2010	F	300	56.30	5	5	8.5	82.5	R
		FLHT/I ELECTRA GLIDE STANDARD	1584	2008	→ 2010	F	300	56.30	5	5	8.5	82.5	R
		FLHTC ELECTRA GLIDE CLASSIC	1584	2008	→ 2011	F	300	56.30	5	5	8.5	82.5	R
		FLHTCU ELECTRA GLIDE ULTRA CLASSIC	1584	2009	→ 2010	F	300	56.30	5	5	8.5	82.5	R
		FLHX STREET GLIDE	1584	2008	→ 2011	F	300	56.30	5	5	8.5	82.5	R
		FLTR/I ROAD GLIDE	1584	2008	→ 2009	F	300	56.30	5	5	8.5	82.5	R
		FLHP ROAD KING POLICE	1690	2010	→ 2011	F	300	56.30	5	5	8.5	82.5	R
		FLHTK ELECTRA GLIDE ULTRA LIMITED	1690	2010	→ 2011	F	300	56.30	5	5	8.5	82.5	R
		FLHTP ELECTRA GLIDE POLICE	1690	2009	→ 2011	F	300	56.30	5	5	8.5	82.5	R
		FLHX STREET GLIDE	1690	2010	→ 2011	F	300	56.30	5	5	8.5	82.5	R
		FLTRU	1690	2011	→	F	300	56.30	5	5	8.5	82.5	R
		FLTRUSE SCREAM EAGLE ROAD GLIDE	1690	2011	→	F	300	56.30	5	5	8.5	82.5	R
		FLTRX ROAD GLIDE CUSTOM	1690	2010	→ 2011	F	300	56.30	5	5	8.5	82.5	R
		FLHTCUSE BLK ULTRA CLASSIC ELECTRA GLIDE	1800	2008	→ 2010	F	300	56.30	5	5	8.5	82.5	R
		FLHTCUSE CVO ULTRA CLASSIC ELECTRA GLIDE	1800	2009	→ 2011	F	300	56.30	5	5	8.5	82.5	R
		FLHXSE CVO STREET GLIDE	1800	2010	→ 2011	F	300	56.30	5	5	8.5	82.5	R
FMD0431	HARLEY D.	VRSCA V-ROD	1130	2006	→ 2008	F	300	172.5	5	5	13.5	172.5	R
		VRSCAW V-ROD	1250	2008	→ 2010	F	300	172.5	5	5	13.5	172.5	R
		VRSCDX NIGHT ROD SPECIAL	1250	2007	→ 2011	F	300	172.5	5	5	13.5	172.5	R
		VRSCF V-ROD MUSCLE	1250	2008	→ 2011	F	300	172.5	5	5	13.5	172.5	R
		FXD DYNA SUPER GLIDE	1450	2006	→ 2007	F	300	172.5	5	5	13.5	172.5	R
		FXDB DYNA STREET BOB	1450	2006	→ 2007	F	300	172.5	5	5	13.5	172.5	R
		FXDC DYNA SUPER GLIDE CUSTOM	1450	2006	→ 2007	F	300	172.5	5	5	13.5	172.5	R
		FXDWG DYNA WIDE GLIDE	1450	2006	→ 2007	F	300	172.5	5	5	13.5	172.5	R
		FXD DYNA STREET BOB	1584	2006	→ 2010	F	300	172.5	5	5	13.5	172.5	R
		FXD DYNA SUPER GLIDE	1584	2006	→ 2010	F	300	172.5	5	5	13.5	172.5	R
		FXDC DYNA SUPER GLIDE CUSTOM	1584	2006	→ 2010	F	300	172.5	5	5	13.5	172.5	R
		FXDC DYNA SUPER GLIDE CUSTOM	1584	2006	→ 2010	F	300	172.5	5	5	13.5	172.5	R
		FXDF FAT BOB	1584	2008	→ 2010	F	300	172.5	5	5	13.5	172.5	R
		FXDL DYNA LOW RIDER	1584	2006	→ 2010	F	300	172.5	5	5	13.5	172.5	R
		FXDWG DYNA WIDE GLIDE	1584	2006	→ 2010	F	300	172.5	5	5	13.5	172.5	R
FMD0432	HARLEY D.	VRSCA V-ROD	1130	2006	→ 2008	R	300	56.3	5	5	10.5	82.5	R



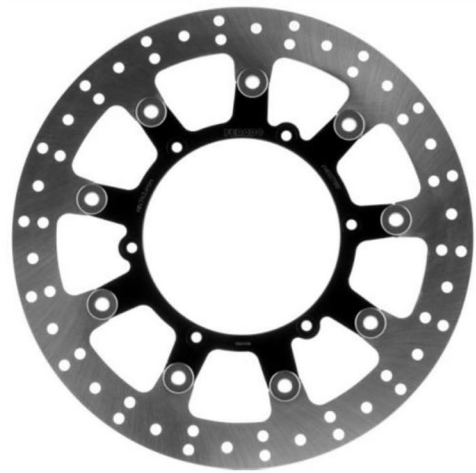
Front
Rear

						Front	Outside Dia (mm)	Inside Dia (mm)	Thickness (mm)	No. of Fixing hole	Fixing hole dia. (mm)	Fix. hole centreline diam (mm)	DISC TYPE
...FMD0432		VRSCAW V-ROD	1250	2008 → 2010	R	300	56.3	5	5	5	10.5	82.5	R
		VRSCDX NIGHT ROD SPECIAL	1250	2007 → 2011	R	300	56.3	5	5	5	10.5	82.5	R
		VRSCF V-ROD MUSCLE	1250	2008 → 2011	R	300	56.3	5	5	5	10.5	82.5	R
FMD0433	HARLEY D.	FLHR/I ROAD KING	1584	2008 → 2010	R	300	56.3	6	5	5	10.5	82.5	R
		FLHRC ROAD KING CLASSIC	1584	2008 → 2011	R	300	56.3	6	5	5	10.5	82.5	R
		FLHRC ROAD KING CLASSIC	1584	2008 → 2010	R	300	56.3	6	5	5	10.5	82.5	R
		FLHT/I ELECTRA GLIDE STANDARD	1584	2008 → 2010	R	300	56.3	6	5	5	10.5	82.5	R
		FLHTC ELECTRA GLIDE CLASSIC	1584	2008 → 2011	R	300	56.3	6	5	5	10.5	82.5	R
		FLHTCU ELECTRA GLIDE ULTRA CLASSIC	1584	2009 → 2010	R	300	56.3	6	5	5	10.5	82.5	R
		FLHX STREET GLIDE	1584	2008 → 2011	R	300	56.3	6	5	5	10.5	82.5	R
		FLTR/I ROAD GLIDE	1584	2008 → 2009	R	300	56.3	6	5	5	10.5	82.5	R
		FLHP ROAD KING POLICE	1690	2010 → 2011	R	300	56.3	6	5	5	10.5	82.5	R
		FLHTK ELECTRA GLIDE ULTRA LIMITED	1690	2010 → 2011	R	300	56.3	6	5	5	10.5	82.5	R
		FLHTP ELECTRA GLIDE POLICE	1690	2009 → 2011	R	300	56.3	6	5	5	10.5	82.5	R
		FLHX STREET GLIDE	1690	2010 → 2011	R	300	56.3	6	5	5	10.5	82.5	R
		FLTRU	1690	2011 →	R	300	56.3	6	5	5	10.5	82.5	R
		FLTRUSE SCREAM EAGLE ROAD GLIDE	1690	2011 →	R	300	56.3	6	5	5	10.5	82.5	R
		FLTRX ROAD GLIDE CUSTOM	1690	2010 → 2011	R	300	56.3	6	5	5	10.5	82.5	R
		FLHTCUSE BLK ULTRA CLASSIC ELECTRA GLIDE	1800	2008 → 2010	R	300	56.3	6	5	5	10.5	82.5	R
		FLHTCUSE CVO ULTRA CLASSIC ELECTRA GLIDE	1800	2009 → 2011	R	300	56.3	6	5	5	10.5	82.5	R
		FLHXSE CVO STREET GLIDE	1800	2010 → 2011	R	300	56.3	6	5	5	10.5	82.5	R
FMD0435	HONDA	SZX X 8RS	50	1998 → 2004	F	220	104	4	3	3	10.5	124	R
		SZX X 8RX	50	1998 → 2004	F	220	104	4	3	3	10.5	124	R
FMD0436	HONDA	SZX X 8RS	50	1998 → 2004	R	190	72	3.5	4	4	10.5	94	R
		SZX X 8RX	50	1998 → 2004	R	190	72	3.5	4	4	10.5	94	R
FMD0437	YAMAHA	X-MAX YP R	125	2006 →	F	267	132	4	5	5	9	150	R
		X-MAX YP R ABS	125	2011 →	F	267	132	4	5	5	9	150	R
		X-MAX YP R	250	2005 →	F	267	132	4	5	5	9	150	R
		X-MAX YP R ABS	250	2011 →	F	267	132	4	5	5	9	150	R
		X-MAX YP R SPORT	250	2011 →	F	267	132	4	5	5	9	150	R
		YP G GRAND MAJESTY [japan]	250	2004 → 2005	F	267	132	4	5	5	9	150	R
		YP MAJESTY	400	2004 →	F	267	132	4	5	5	9	150	R
		YP MAJESTY	400	2005 →	F	267	132	4	5	5	9	150	R
		XP T-MAX	500	2004 → 2007	F	267	132	4	5	5	9	150	R
		XP T-MAX	530	2012 →	F	267	132	4	5	5	9	150	R
		XP T-MAX ABS	530	2012 →	F	267	132	4	5	5	9	150	R



FERODO™

MOTORCYCLE DISCS



ATV Applications

FERODO™

MOTORCYCLE DISCS



DISCS TYPE



DISCS TYPE

BOMBARDIER

DS X 650 2001 → 2002 FMD0353 (x2) R

HONDA

TRX EX SPORTRAX 250 2001 → 2007 FMD0270 (x2) R

TRX R 250 1988 → 1989 FMD0270 (x2) R

TRX X 250 1987 → FMD0355 R

TRX X 250 1988 → 1992 FMD0270 (x2) R FMD0355 R

TRX EX 300 1993 → 2006 FMD0270 (x2) R FMD0355 R

TRX EX SPORTRAX 300 2001 → FMD0355 R

TRX EX 400 1999 → 2007 FMD0270 (x2) R

TRX EX FOURTRAX 400 1999 → 2002 FMD0270 (x2) R

TRX EX FOURTRAX 400 2001 → FMD0270 (x2) R

TRX R 450 2004 → 2007 FMD0270 (x2) R

KAWASAKI

KFX 400 2002 → 2006 FMD0357 (x2) R

SUZUKI

LT Z 250 2005 → 2007 FMD0357 (x2) R

LT Z QUADSPORT 400 2002 → 2007 FMD0357 (x2) R

LT R QUADRACER 500 1987 → 1990 FMD0357 (x2) R

YAMAHA

YFS BLASTER 200 1988 → 2002 FMD0274 R

YFS R BLASTER 200 2003 → 2006 FMD0273 (x2) R FMD0274 R

YFM BEAR TRACKER 250 2001 → 2004 FMD0030 (x2) R

YFM RAPTOR 250 2008 → 2009 FMD0273 (x2) R

YFM R RAPTOR 350 2004 → 2007 FMD0273 (x2) R FMD0360 R

YFM X WARRIOR 350 1987 → 1988 FMD0273 (x2) R

YFM X WARRIOR 350 1989 → 2003 FMD0273 (x2) R

YFZ BANSHEE A-M 350 1990 → 2006 FMD0273 (x2) R FMD0274 R

YFZ BANSHEE T-W 350 1987 → 1989 FMD0273 (x2) R FMD0274 R

YFZ S 450 2004 → 2005 FMD0273 (x2) R FMD0360 R

YFZ S 450 2006 → 2007 FMD0273 (x2) R

YFM RN RAPTOR 660 2001 → 2005 FMD0273 (x2) R FMD0274 R

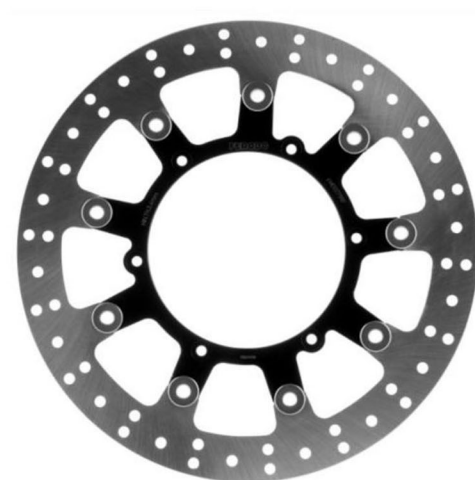
YFM RN RAPTOR 700 2006 → FMD0273 (x2) R

BOMBARDIER





MOTORCYCLE DISCS



BRAKE DISCS XREF

Ferodo to Competitors



MOTORCYCLE DISCS

BRAKE DISCS X-REF

FERODO TO COMPETITORS

Ferodo Code	Competitor	Competitor Code
FMD0001	BRAKING	YA12FI
	EBC	MD904D
	HTF	BD 004 ST
	NEWFREN	.DF.4004 A
FMD0002	BRAKING	AP11FI
	EBC	MD901
	EBC	MD943
	HTF	BD 001 ST
	NEWFREN	.DF.4001 A
FMD0003	BRAKING	AP16FI
	EBC	MD945D
	HTF	BD 017 ST
	NEWFREN	.DF.4017 A
FMD0006	BRAKING	HO17FI
	EBC	MD906D
	HTF	BD 006 ST
	NEWFREN	.DF.4006 A
	OEM	45351 GBM 705
FMD0007	BRAKING	GL06FI
	EBC	MD924D
	HTF	BD 015 ST
	NEWFREN	.DF.4095 AF
FMD0008	BRAKING	HO50FI
	EBC	MD1020
	HTF	BD 034 ST
	NEWFREN	.DF.4034 A
	OEM	43251 MW3 600
FMD0009	BRAKING	HO05RI
	NEWFREN	.DF.5005 A
FMD0010	BRAKING	HO22FI
	EBC	MD 1001LS/RS
	HTF	BD 101 ST
	NEWFREN	.DF.5001 A
	OEM	45251 KT8 000
	OEM	45251 MB0 000
	OEM	45251 MB0 700
	OEM	45251 ME5 780
	OEM	45251 MG5 670
	OEM	45251 MJ1 670
	OEM	45251 MK4 600
	OEM	45251 ML7 690
	OEM	45251 MV9 000
	OEM	45351 MB0 000
	OEM	45351 MB0 700
	OEM	45351 MG5 670
	OEM	45351 MJ1 670
	OEM	45351 MR5 000
	OEM	45351 MV9 000
FMD0012	BRAKING	HO21FI
	EBC	MD1006
	HTF	BD 158 ST
	NEWFREN	.DF.5058 A
	OEM	45251 KM4 000
	OEM	45251 ML0 000
FMD0014	BRAKING	HO22RI
	EBC	MD1004

Ferodo Code	Competitor	Competitor Code
...FMD0014	NEWFREN	.DF.4060 A
	OEM	43251 KEA 000
	OEM	43251 MCJ 000
	OEM	43251 MV4 000
FMD0015	BRAKING	HO09FI
	EBC	MD6001D
	HTF	BD 170 ST
	NEWFREN	.DF.5070 A
FMD0017	NEWFREN	DF.5048 AF
FMD0020	BRAKING	KW03RI
	EBC	MD4006LS/RS
	HTF	BD 115 ST
	NEWFREN	.DF.5015 A
	OEM	41080 1132
FMD0022	BRAKING	PI01FI
	EBC	MD910D
	HTF	BD 012 ST
	NEWFREN	.DF.4012 A
FMD0023	BRAKING	YA08RI
	EBC	MD2002
	HTF	BD 114 ST - BD 023 ST
	NEWFREN	.DF.5171 A
	OEM	2NX 25831 00
	OEM	3SX 2582W 00
	OEM	3VD 2582W 00
	OEM	46X 25831 00
	OEM	4DU 2582W 00
	OEM	4FM 2582W 00
	OEM	4HM 2582W 00
	OEM	4SV 2582W 00
FMD0025	BRAKING	PE02FI
	EBC	MD925D
	HTF	BD 043 ST
	NEWFREN	.DF.4043 A
FMD0026	BRAKING	SZ24FI
	EBC	MD930D
	HTF	BD 022 ST
	NEWFREN	.DF.4022 A
FMD0027	BRAKING	SZ02FI
	HTF	BD 110 ST
	NEWFREN	.DF.5010 A
FMD0028	BRAKING	SZ01FI (for R)
	EBC	MD6017D
	HTF	BD 151 ST
	NEWFREN	.DF.5051 A
FMD0029	BRAKING	YA06FI
	EBC	MD6039D
	HTF	BD 107 ST
	NEWFREN	.DF.5007 A
FMD0030	BRAKING	YA03FI
	EBC	MD6118D
	HTF	BD 108 ST
	NEWFREN	.DF.5008 A
FMD0031	BRAKING	YA02FI
	EBC	MD6070D
	HTF	BD 106 ST

Ferodo Code	Competitor	Competitor Code
...FMD0031	NEWFREN	.DF.5006 A
FMD0032	BRAKING	HO10FI
	HTF	BD 131 ST
	NEWFREN	.DF.5031 A
FMD0033	BRAKING	HO18FI
	EBC	MD6102D/DR
	HTF	BD 116 ST
	NEWFREN	.DF.5016 A
FMD0034	BRAKING	KM01FI
	HTF	BD 025 ST
	NEWFREN	.DF.4025 A
FMD0038	BRAKING	AP13FL
	EBC	MD6129D
FMD0039	BRAKING	PI01FI
	HTF	BD 002 ST
	NEWFREN	.DF.4002 A
FMD0042	BRAKING	MA01FI
	HTF	BD 009 ST
	NEWFREN	.DF.4009 A
FMD0043	HTF	BD 014 ST
	NEWFREN	.DF.4014 A
FMD0044	BRAKING	AP16FI
	HTF	BD 018 ST
	NEWFREN	DF.4018 A
FMD0045	HTF	BD 021 ST
	NEWFREN	.DF.4021 A
FMD0048	BRAKING	MA04FI
	HTF	BD 033 ST
	NEWFREN	.DF.4033 A
FMD0049	HTF	BD 036 ST
	NEWFREN	.DF.4036 A
FMD0050	BRAKING	AP10FL
	HTF	BD 038 ST
	NEWFREN	.DF.4038 A
FMD0054	HTF	BD 055 ST
	NEWFREN	.DF.4055 A
FMD0055	HTF	BD 056 ST
	NEWFREN	.DF.4056 A
FMD0057	HTF	BD 059 ST
	NEWFREN	.DF.4097 AF
FMD0059	BRAKING	HO18RI
	EBC	MD6103D
	HTF	BD 103 ST
	NEWFREN	.DF.5003 A
FMD0073	NEWFREN	.DF.5059 A
FMD0075	BRAKING	BW03RI
	EBC	MD653
	HTF	BD 162 ST
	NEWFREN	.DF.5062 A
FMD0080	BRAKING	BW01FI
	EBC	MD606LS/RS
FMD0081	BRAKING	BW02FI
	EBC	MD605LS/RS
FMD0082	BRAKING	BW04FI
	NEWFREN	.DF.5153 A
FMD0083	BRAKING	BW06FI

BRAKE DISCS X-REF

FERODO TO COMPETITORS

Ferodo Code	Competitor	Competitor Code
...FMD0083	NEWFREN	.DF.5108 A
FMD0085	BRAKING	HD292R (for RP)
	BRAKING	HD292RFL (for RPF)
	BRAKING	HDF (for R)
	BRAKING	HDFFL (for RF)
	EBC	MD506LS/RS
	NEWFREN	.DF.5183 A
FMD0087	BRAKING	HO03FI
	EBC	MD6010
	HTF	BD 173 ST
	NEWFREN	.DF.5073 A
FMD0088	BRAKING	HO04FI
	EBC	MD6044D
	NEWFREN	.DF.5176 A
FMD0089	BRAKING	HO05FI
	EBC	MD6168D
FMD0090	BRAKING	HO09RI
	BRAKING	HO22RI
	EBC	MD6013D
	HTF	BD 109 ST
	NEWFREN	.DF.5009 A
FMD0091	BRAKING	HO13FI
	EBC	MD6087D
	NEWFREN	.DF.5011 A
FMD0093	BRAKING	HO23FI
	EBC	MD1008LS/RS
	NEWFREN	.DF.5129 A
FMD0096	BRAKING	HO31RI
	EBC	MD1001
FMD0097	BRAKING	HO32FI
	NEWFREN	.DF.4066 A
FMD0098	BRAKING	HO33FI
	EBC	MD1126LS/RS
	OEM	45251 MT2 003
	OEM	45251 MT8 000
	OEM	45351 MT2 002
	OEM	45351 MT2 003
FMD0100	BRAKING	KT06FI
FMD0101	BRAKING	KW02FI
	EBC	MD4017
	NEWFREN	.DF.5060 A
	OEM	41080 1108
FMD0103	BRAKING	KW05FI
	EBC	MD6080D
FMD0104	BRAKING	KW07RI
FMD0105	BRAKING	KW13FI
	EBC	MD6093D
FMD0107	BRAKING	KW32RI
	NEWFREN	.DF.5147 A
FMD0110	BRAKING	MB03FI
	EBC	MD907D
	HTF	BD 026 ST
	NEWFREN	.DF.4026 A
FMD0111	BRAKING	STX01
	EBC	MD614LS/RS
	NEWFREN	.DF.5152 AF

Ferodo Code	Competitor	Competitor Code
...FMD0112	BRAKING	STX04
FMD0112	EBC	MD1003LS/RS
	OEM	45120 KY2 003
	OEM	45120 MAE 000
	OEM	45120 MAL 601
	OEM	45220 MAE 000
	OEM	45220 MAL 601
	OEM	45220 MAL G01
	OEM	45220 MZ7 000
FMD0113	BRAKING	STX05
	EBC	MD1014LS/RS
	NEWFREN	.DF.5165 AF
	OEM	45120 MW0 003
	OEM	45220 MBG 003
FMD0114	BRAKING	STX06
	EBC	MD4012LS/RS
	OEM	41080 1240 CN
	OEM	41080 1241 CN
	OEM	41080 1284 CN
	OEM	41080 1285 CN
	OEM	41080 1318 CN
	OEM	41080 1318 FF
	OEM	41080 1319 CN
	OEM	41080 1319 FF
FMD0115	BRAKING	STX08
	EBC	MD4136LS/RS
	NEWFREN	.DF.5174 AF
	OEM	41080 1437 A4
	OEM	41080 1463 A4
FMD0116	BRAKING	STX09
	EBC	MD4022LS/RS
	OEM	41080 1306 CM
	OEM	41080 1307 CM
	OEM	41080 1351 FF
	OEM	41080 1408 FF
	OEM	41080 1468 A4
FMD0117	BRAKING	STX10
	EBC	MD3007LS/RS
	OEM	59210 17C00
	OEM	59210 17C01
	OEM	59210 17C31
	OEM	59210 17E00
	OEM	59210 17E10
	OEM	59210 40C01
	OEM	59210 40C02
	OEM	59210 40C03
	OEM	59210 40C10
	OEM	59210 40C11
	OEM	59220 17C00
	OEM	59220 17C01
	OEM	59220 17C31
	OEM	59220 17E00
	OEM	59220 17E10
	OEM	59220 40C01
	OEM	59220 40C02
	OEM	59220 40C03

Ferodo Code	Competitor	Competitor Code
...FMD0117	OEM	59220 40C10
	OEM	59220 40C11
FMD0118	BRAKING	STX11
	EBC	MD3045LS/RS
	OEM	59210 22D00
	OEM	59210 22D10
	OEM	59210 22D40
	OEM	59210 22D80
	OEM	59211 48E00
	OEM	59220 22D00
	OEM	59220 22D10
	OEM	59220 22D40
FMD0119	BRAKING	STX12
	EBC	MD3006LS/RS
	OEM	59210 31E00
	OEM	59210 31E10
	OEM	59220 01D11
	OEM	59220 01D21
	OEM	59220 01D30
	OEM	59220 31E00
	OEM	59220 31E10
FMD0120	BRAKING	STX13
	EBC	MD3003LS/RS
	OEM	59210 08F00
	OEM	59210 32C00
	OEM	59210 32C01
	OEM	59210 32C10
	OEM	59210 32C11
	OEM	59210 32C31
	OEM	59210 32C70
	OEM	59210 32C80
	OEM	59210 46D10
	OEM	59220 32C00
	OEM	59220 32C01
	OEM	59220 32C10
	OEM	59220 32C11
	OEM	59220 32C31
	OEM	59220 32C70
	OEM	59220 32C80
	OEM	59220 46D10
FMD0121	BRAKING	STX15
	EBC	MD2001LS/RS
	NEWFREN	.DF.5167 AF
	OEM	3 HE 2581T 00
	OEM	3CV 25830 00
	OEM	3CV 25830 10
	OEM	3CW 2581T 00
	OEM	3EN 2581T 00
	OEM	3RG 2581T 00
	OEM	4HM 2581T 00
	OEM	4HM 2581T 11
FMD0123	BRAKING	STX17
	EBC	MD1010LS/RS
	OEM	45120 MR7 000
	OEM	45120 MR7 010
	OEM	45220 MR7 000

BRAKE DISCS X-REF

FERODO TO COMPETITORS

Ferodo Code	Competitor	Competitor Code
...FMD0123	OEM	45220 MR7 010
FMD0125	BRAKING	STX20
	EBC	MD3058LS/RS
	OEM	59210 33E00
	OEM	59210 33E20
	OEM	59210 33E70
FMD0126	BRAKING	STX21
	EBC	MD2074LS/RS
	NEWFREN	.DF.5172 AF
	OEM	3JP 2581T 00
	OEM	3LR 2581T 00
	OEM	4SV 2581T 00
	OEM	5JJ 2581T 00
	OEM	5PX 2581T 00
FMD0128	BRAKING	STX30
	EBC	MD1134LS/RS
	OEM	45120 MAS E01
	OEM	45220 MAS E01
FMD0129	BRAKING	STX33
FMD0130	BRAKING	STX36
	NEWFREN	.DF.5141 AF
FMD0131	BRAKING	STX38
FMD0132	BRAKING	STX39
	NEWFREN	.DF.4065 A
FMD0134	BRAKING	STX40
	EBC	MD1014LS/RS
	OEM	45120 MBG 003
	OEM	45120 MW0 003
	OEM	45220 MBG 003
FMD0135	BRAKING	STX41
	EBC	MD1138LS/RS
FMD0136	BRAKING	STX42
FMD0137	BRAKING	STX43
	NEWFREN	.DF.5139 AF
FMD0139	BRAKING	STX46
	NEWFREN	.DF.5168 AF
FMD0140	BRAKING	STX47
	NEWFREN	.DF.5140 AF
FMD0143	BRAKING	STX54
	EBC	MD6199D
FMD0146	BRAKING	STX61
FMD0147	BRAKING	STX62
	BREMBO	08.4899.93
FMD0148	BRAKING	SZ04FI
	EBC	MD6076D
FMD0149	BRAKING	SZ06FL
	EBC	MD6094D
FMD0150	BRAKING	SZ20FL
	EBC	MD3033LS
	OEM	59221 45C00
	OEM	59221 45C10
FMD0151	BRAKING	SZ26FI
	EBC	MD6018D
	NEWFREN	.DF.5145 A
FMD0154	BRAKING	YA05FI
FMD0155	BRAKING	YA09RI

Ferodo Code	Competitor	Competitor Code
...FMD0155	EBC	MD2011LS/RS
	NEWFREN	.DF.5079 A
	OEM	11U 25831 00
	OEM	1UA 25831 00
	OEM	1UA 25831 10
	OEM	1UF 25831 00
	OEM	1UF 25831 10
	OEM	28V 25831 00
	OEM	28V 25831 10
	OEM	29L 25831 00
	OEM	29L 25831 10
	OEM	29L 25831 20
	OEM	29L 25831 30
	OEM	2KT 25831 00
	OEM	2KT 25831 10
	OEM	3GM 2582W 00
	OEM	3GM 2582W AO
	OEM	3JK 25831 00
	OEM	3JK 25831 10
	OEM	42H 25831 00
	OEM	51Y 25831 00
FMD0157	BRAKING	YA10FI
	EBC	MD6028D
	NEWFREN	.DF.5026 A
FMD0159	BRAKING	YA18FI
	EBC	MD6182D
FMD0160	BRAKING	YA19FI
	EBC	MD2031LS - MD2078
	OEM	4BP 2582T 00
	OEM	4NK 2582W 00
FMD0163	EBC	MD2068LS/RS
	NEWFREN	.DF.5078 AF
FMD0164	BRAKING	AP13RI
	EBC	MD6128D
FMD0171	NEWFREN	.DF.4037 A
FMD0173	HTF	BD 045 ST
	NEWFREN	.DF.4045 A
FMD0175	BRAKING	YA17FI
	EBC	MD6116D
	NEWFREN	.DF.5090 A
FMD0180	BRAKING	DC02RI
	NEWFREN	.DF.5019 A
FMD0182	BRAKING	YA01RI
	EBC	MD6011D
	HTF	BD 121 ST
	NEWFREN	.DF.5021 A
FMD0184	BRAKING	KT03RI
	HTF	BD 124 ST
	NEWFREN	.DF.5024 A - .DF.5043 A
FMD0187	BRAKING	SZ04RI
	EBC	MD6077D
	HTF	BD 128 ST
	NEWFREN	.DF.5028 A
FMD0197	BRAKING	HO60RI
	BRAKING	Old part number: HO38RI
	EBC	MD6191D

Ferodo Code	Competitor	Competitor Code
...FMD0197	HTF	BD 154 ST
	NEWFREN	.DF.5054 A
FMD0199	BRAKING	KW09RI
	EBC	MD4013
	HTF	BD 165 ST
	NEWFREN	.DF.5065 A
	OEM	41080 1242 CL
	OEM	41080 1242 FB
FMD0205	BRAKING	BL01RI
	HTF	BD 169 ST
	NEWFREN	.DF.5069 A
FMD0206	BRAKING	RL7005
	EBC	MD607LS/RS
FMD0207	BRAKING	BW05RI
	EBC	MD651
FMD0210	BRAKING	GL06RI
	EBC	MD932
	HTF	BD 013 ST
	NEWFREN	.DF.4013 A
FMD0211	BRAKING	HD292S (for RP)
	BRAKING	HD292SFL (for RPF)
	BRAKING	HDR (for R)
	BRAKING	HDRFL (for RF)
	EBC	MD509SR
	NEWFREN	.DF.5184 A
FMD0218	BRAKING	KW07FI
	EBC	MD4016LS/RS
	OEM	41080 1107
	OEM	41080 1109
	OEM	41080 1112
	OEM	41080 1154
	OEM	41080 1155
	OEM	41080 1181
	OEM	41080 1197
	OEM	41080 1198
	OEM	41080 1371 FB
FMD0220	BRAKING	HO23RI
	EBC	MD1007
	OEM	43251 MG E01
	OEM	43251 MT4 000
FMD0224	BRAKING	STX31
FMD0227	BRAKING	KW18RI
	NEWFREN	.DF.5122 A
FMD0228	BRAKING	KT06RI
FMD0229	BRAKING	PE03FI
	HTF	BD 044 ST
	NEWFREN	.DF.4044 A
FMD0230	BRAKING	KW02RI
	EBC	MD4015
	OEM	41080 1151
	OEM	41080 1203
	OEM	41080 1219 CM
FMD0233	BRAKING	KW15RI
FMD0234	BRAKING	KW16RI
	EBC	MD6082D
FMD0235	BRAKING	KW22RI

BRAKE DISCS X-REF

FERODO TO COMPETITORS

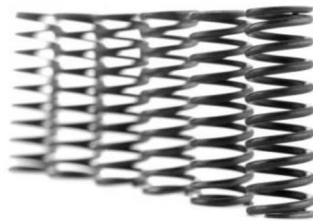
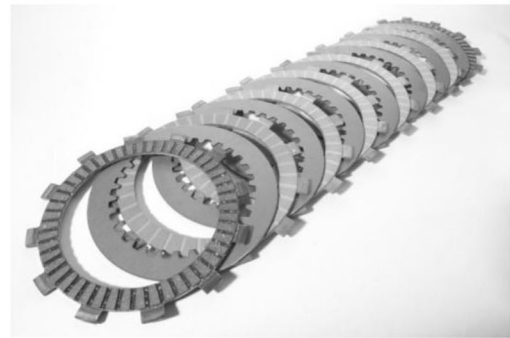
Ferodo Code	Competitor	Competitor Code
...FMD0235	EBC	MD4014
	OEM	41080 1353 FB
FMD0237	BRAKING	KW30RI
	BRAKING	KX30RID
	NEWFREN	.DF.5067 A
FMD0238	BRAKING	KW34RI
FMD0241	BRAKING	STX67
	EBC	MD30089LS/RS
	NEWFREN	.DF.5134 AF
FMD0242	BRAKING	SZ05RI
	EBC	MD6038D
	HTF	BD 137 ST
	NEWFREN	.DF.5037 A
FMD0244	BRAKING	SZ08RI
	EBC	MD3008
	NEWFREN	.DF.5066 A
	OEM	69211 17C00
	OEM	69211 17C10
FMD0245	BRAKING	SZ10RI
	EBC	MD3059
FMD0246	BRAKING	SZ14RI
	EBC	MD3002
	NEWFREN	.DF.5173 A
	OEM	69211 01D00
	OEM	69211 19C00
	OEM	69211 34C00
FMD0247	BRAKING	SZ20RI
	EBC	MD3061
	OEM	69211 45C00
	OEM	69211 45C10
FMD0248	BRAKING	SZ21RI
	EBC	MD6157D
	NEWFREN	.DF.5029 A
FMD0249	BRAKING	SZ22RI
	EBC	MD3060
	NEWFREN	.DF.5022 A
	OEM	69211 33E00
	OEM	69211 33E10
FMD0250	BRAKING	SZ24RI
	EBC	MD930D
	HTF	BD 024 ST
	NEWFREN	.DF.4024 A
FMD0251	BRAKING	SZ26RI
	EBC	MD6025D
FMD0256	BRAKING	YA02RI
	EBC	MD6072D
	HTF	BD 102 ST
	NEWFREN	.DF.5002 A
FMD0257	BRAKING	YA03RI
	EBC	MD6119D
FMD0258	BRAKING	YA10RI
	HTF	BD 138 ST
	NEWFREN	.DF.5038 A
FMD0260	BRAKING	YA23RI
	EBC	MD927D
	HTF	BD 027 ST

Ferodo Code	Competitor	Competitor Code
...FMD0260	NEWFREN	.DF.4027 A
FMD0263	BRAKING	Old Part Number: YA29RI
	BRAKING	YA52RI
	HTF	BD 149 ST
	NEWFREN	.DF.5049 A
FMD0265	BRAKING	YA34RI
	EBC	MD2084
	NEWFREN	.DF.5169 A
	OEM	5EB 2582W 00
FMD0266	BRAKING	HD01FI (for R)
	BRAKING	HD01FL (for RF)
	NEWFREN	.DF.5181 A
FMD0267	BRAKING	HD01RI (for R)
	BRAKING	HD01RL (for RF)
	NEWFREN	.DF.5182 A
FMD0270	BRAKING	HO41FI
FMD0271	BRAKING	HO20FI
	NEWFREN	.DF.4068 A
FMD0273	BRAKING	YA30FI
FMD0274	BRAKING	YA30RI
FMD0275	BRAKING	YA21FL
FMD0278	BRAKING	KT01FI
FMD0279	BRAKING	KT03FL
	NEWFREN	.DF.5107 AF
FMD0281	BRAKING	STX71
	NEWFREN	.DF.5156 AF
FMD0338	BRAKING	HD12FI
FMD0339	BRAKING	HD12RL
FMD0340	BRAKING	KW19RI
FMD0342	BRAKING	SZ38RI
	NEWFREN	.DF.5157 A
FMD0343	BRAKING	STX48
	NEWFREN	.DF.5132 AF
FMD0349	BRAKING	STX69
FMD0350	BRAKING	STX70
	NEWFREN	.DF.5133 AF
FMD0352	BRAKING	STX73
	EBC	MD2003LS/RS
	OEM	1KT 25830 01
	OEM	2GH 25830 00
	OEM	3GM 2581T 00
	OEM	3LE 2581T 00
	OEM	3SH F5830 10
	OEM	4FM 2581T 00
	OEM	4FM 2581T 01
	OEM	4KG 2581T 00
FMD0353	BRAKING	BM01FI
FMD0355	BRAKING	HO40RI
FMD0357	BRAKING	SZ16FI
FMD0360	BRAKING	YA43RI
FMD0389	BRAKING	DC04RI
	NEWFREN	.DF.5155 A
FMD0390	BRAKING	DC05RI
FMD0391	BRAKING	HD05FL
FMD0393	BRAKING	STX76
	NEWFREN	.DF.5135 AF

Ferodo Code	Competitor	Competitor Code
...FMD0394	BRAKING	STX78
FMD0394	NEWFREN	.DF.5166 AF
FMD0399	BRAKING	KT07FI
	NEWFREN	.DF.5158 A
FMD0400	BRAKING	KT07RI
	NEWFREN	.DF.5160 A
FMD0401	BRAKING	STX91
	NEWFREN	.DF.5142 AF
FMD0402	NEWFREN	.DF.5162 A
FMD0403	NEWFREN	.DF.5163 A
FMD0404	NEWFREN	.DF.5164 A
FMD0405	BRAKING	YA44RI
	NEWFREN	.DF.5170 A
FMD0406	BRAKING	AP22RI
	NEWFREN	.DF.5177 A
FMD0407	BRAKING	BW06RI
	NEWFREN	.DF.5178 A
FMD0408	NEWFREN	.DF.4101 A
FMD0409	NEWFREN	.DF.4103 AF
FMD0410	BRAKING	STX90
FMD0411	BRAKING	STX98
FMD0412	BRAKING	STX101
FMD0413	NEWFREN	.DF.4102A
FMD0414	NEWFREN	.DF.4104A
FMD0415	NEWFREN	.DF.4105A
FMD0416	NEWFREN	.DF.4106A
FMD0417	NEWFREN	.DF.4107A
FMD0418	NEWFREN	.DF.4108A
FMD0419	NEWFREN	.DF.4109A
FMD0420	NEWFREN	.DF.4110A
FMD0421	NEWFREN	.DF.4111A
FMD0422	NEWFREN	.DF.4112AF
FMD0423	NEWFREN	.DF.4113A
FMD0424	NEWFREN	.DF.4114A
FMD0425	NEWFREN	.DF.4115A
FMD0426	NEWFREN	.DF.4116A
FMD0430	BRAKING	RF3104
FMD0431	BRAKING	RF3105
FMD0432	BRAKING	RF3503
FMD0433	BRAKING	RF3504
FMD0435	BRAKING	HO34FI
	EBC	MD920D
FMD0436	BRAKING	HO34RI
	EBC	MD921D
FMD0437	BRAKING	RF8116
	EBC	MD9102D

FERODO™

MOTORCYCLE CLUTCHES



Motorcycle Applications

FERODO™

MOTORCYCLE CLUTCHES



KIT RANGE



STANDARD

HIGH PERFORMANCE



STANDARD

HIGH PERFORMANCE

ACCOSSATO

Model	Capacity	Year	Code	Standard	High Performance	Standard	High Performance
50 CROSS	50	→ 1983	FCD0523		FCD0523/1	FCS0523/2	FCS0523/3
50 CROSS MINI	50	1982 →	FCD0523		FCD0523/1	FCS0523/2	FCS0523/3
50 ENDURO	50	→ 1983	FCD0523		FCD0523/1	FCS0523/2	FCS0523/3
50 ENDURO CODICE	50	1989 →	FCD0523		FCD0523/1	FCS0523/2	FCS0523/3
CE 50	50	1987 →	FCD0523		FCD0523/1	FCS0523/2	FCS0523/3
CR 50 CROSS COMPETIZIONE	50	1984 →	FCD0523		FCD0523/1	FCS0523/2	FCS0523/3
CR 50 ENDURO	50	1984 →	FCD0523		FCD0523/1	FCS0523/2	FCS0523/3
CR 50 ENDURO COMPETIZIONE	50	1984 →	FCD0523		FCD0523/1	FCS0523/2	FCS0523/3
80 CROSS	80	→ 1983	FCD0523		FCD0523/1	FCS0523/2	FCS0523/3
CE 80	80	1987 →	FCD0523		FCD0523/1	FCS0523/2	FCS0523/3
CE 80 CROSS H20	80	1984 →	FCD0523		FCD0523/1	FCS0523/2	FCS0523/3
CE 80 ENDURO H20	80	1984 →	FCD0523		FCD0523/1	FCS0523/2	FCS0523/3
KR 80	80	1987 →	FCD0523		FCD0523/1	FCS0523/2	FCS0523/3
CE 125 CROSS H20	125	1984 →	FCD0523		FCD0523/1	FCS0523/2	FCS0523/3
CE 125 ENDURO H20	125	1984 →	FCD0523		FCD0523/1	FCS0523/2	FCS0523/3

APRILIA

Model	Capacity	Year	Code	Standard	High Performance	Standard	High Performance
AFI 50 AE all models	50	1987 →	FCD0636			FCS0636/2	
AFI 50 EUROPA	50	1990 → 1992	FCD0636			FCS0636/2	
AFI 50 FUTURA	50	1990 → 1992	FCD0636			FCS0636/2	
CLASSIC 50	50	1992 → 2001	FCD0636			FCS0636/2	
ET 50	50	1984 → 1986	FCD0587				
ET 50 AE	50	1987 →	FCD0636			FCS0636/2	
ETX 50	50	1986 →	FCD0636			FCS0636/2	
MX 50	50	→ 1983	FCD0587				
MX 50	50	2003 → 2005	FSS0506	FCD0636		FCS0636/2	
PEGASO 50	50	1992 → 1994	FSS0506	FCD0636		FCS0636/2	
RC 50	50	→ 1983	FCD0587				
RC 50 SPECIAL	50	→ 1983	FCD0587				
RED ROSE 50	50	1988 → 1992	FSS0506	FCD0636		FCS0636/2	
RS 50	50	1993 → 1999	FSS0506	FCD0636		FCS0636/2	
RS 50	50	2006 →	FSS0518	FCD0608	FCD0608/1	FCS0608/2	FCS0608/3
RS 50 REPLICA	50	2000 → 2002	FSS0506	FCD0636		FCS0636/2	
RS 50 REPLICA	50	2003 → 2005	FSS0518	FCD0608	FCD0608/1	FCS0608/2	FCS0608/3
RX 50	50	1990 → 1998	FSS0506	FCD0636		FCS0636/2	
RX 50	50	2008 →	FSS0518	FCD0608	FCD0608/1	FCS0608/2	FCS0608/3
RX 50 RACING	50	2004 → 2007	FSS0518	FCD0608	FCD0608/1	FCS0608/2	FCS0608/3
SX 50	50	2006 →	FSS0518	FCD0608	FCD0608/1	FCS0608/2	FCS0608/3
TUAREG 50	50	1984 → 1986	FCD0587				
TUAREG 50	50	1986 → 1987	FSS0506	FCD0636		FCS0636/2	
TUAREG 50 HPC SYSTEM	50	1987 →	FSS0506	FCD0636		FCS0636/2	
TUAREG 50 RALLY	50	1990 →	FSS0506	FCD0636		FCS0636/2	
TUONO 50	50	2003 → 2004	FSS0506	FCD0636		FCS0636/2	
AF1 125 EUROPA	125	1990 → 1992	FCD0682	FCD0682/1	FCS0682/2	FCS0682/3	
AF1 125 FUTURA	125	1990 → 1991	FCD0682	FCD0682/1	FCS0682/2	FCS0682/3	
AFI 125 SINTESI	125	1988 →	FCD0682	FCD0682/1	FCS0682/2	FCS0682/3	
AFI 125 SINTESI REPLICA	125	1989 → 1991	FCD0682	FCD0682/1	FCS0682/2	FCS0682/3	
AFI 125	125	1989 → 1991	FCD0580		FCS0580/2	FCS0580/3	
CLASSIC 125	125	1995 → 2001	FCD0557	FCD0557/1	FCS0557/2	FCS0557/3	
ETX 125	125	1984 →	FCD0598		FCS0598/2		
ETX 125	125	1985 → 1997	FCD0580		FCS0580/2	FCS0580/3	
MX 125	125	2004 → 2008	FCD0557	FCD0557/1	FCS0557/2	FCS0557/3	
PEGASO 125	125	1989 → 1990	FCD0682	FCD0682/1	FCS0682/2	FCS0682/3	
RED ROSE 125	125	1987 → 1994	FCD0682	FCD0682/1	FCS0682/2	FCS0682/3	
RS 125	125	1992 → 1994	FCD0682	FCD0682/1	FCS0682/2	FCS0682/3	
RS 125	125	1995 → 2005	FCD0557	FCD0557/1	FCS0557/2	FCS0557/3	
RS 125	125	2006 →	FCD0557	FCD0557/1	FCS0557/2	FCS0557/3	
RX 125	125	1986 → 1995	FCD0682	FCD0682/1	FCS0682/2	FCS0682/3	
TUAREG 125	125	1986 →	FCD0580		FCS0580/2	FCS0580/3	
TUAREG 125 RALLY	125	1986 → 1988	FCD0557	FCD0557/1	FCS0557/2	FCS0557/3	
TUAREG 125 RALLY	125	1989 → 1990	FCD0682	FCD0682/1	FCS0682/2	FCS0682/3	
TUAREG 125 RALLY	125	1991 → 1992	FCD0682	FCD0682/1	FCS0682/2	FCS0682/3	
TUAREG 125 RALLY (Mozzi Rimoldi)	125	1986 →	FCD0580		FCS0580/2	FCS0580/3	
TUONO 125	125	2003 → 2004	FCD0557	FCD0557/1	FCS0557/2	FCS0557/3	
CLIMBER 240	240	1988 → 1990	FCD0580		FCS0580/2	FCS0580/3	
CLIMBER 240	240	1990 → 1994	FCD0682	FCD0682/1	FCS0682/2	FCS0682/3	
TX 240	240	1985 →	FCD0580		FCS0580/2	FCS0580/3	
RS 250	250	1995 → 2003	FSS0201	FCD0308	FCD0308/1	FCS0308/2	FCS0308/3
RS 250 PISTA	250	2004 →	FSS0201	FCD0308	FCD0308/1	FCS0308/2	FCS0308/3
TUAREG 250	250	1984 → 1985	FCD0581	FCD0581/1	FCS0581/2	FCS0581/3	
TUAREG 250 RALLY	250	1986 →	FCD0581	FCD0581/1	FCS0581/2	FCS0581/3	
TUAREG 250 RALLY (Mozzi Rimoldi)	250	1986 → 1988	FCD0581	FCD0581/1	FCS0581/2	FCS0581/3	
TX 300	300	1985 → 1986	FCD0580		FCS0580/2	FCS0580/3	
TX 311	311	1987 →	FCD0580		FCS0580/2	FCS0580/3	
TX 312	312	1988 →	FCD0580		FCS0580/2	FCS0580/3	

20000

FERODO
MOTORCYCLE CLUTCHES
Updated on 11th Oct 2013

FCDXXXX STANDARD FRICTION PLATES ONLY
FCDXXXX/1 HIGH PERFORMANCE FRICTION PLATES ONLY
FCSXXXX/2 STANDARD FRICTION PLATES + STEEL PLATES
FCSXXXX/3 HIGH PERFORMANCE FRICTION PLATES + STEEL PLATES



KIT RANGE



STANDARD

HIGH PERFORMANCE



STANDARD

HIGH PERFORMANCE

...APRILIA

TXR 312	312	1988	→		FCD0580		FCS0580/2	FCS0580/3
ETX 350	350	1985	→ 1986		FCD0516	FCD0516/1	FCS0516/2	FCS0516/3
ETX 350 AF	350	1987	→		FCD0580		FCS0580/2	FCS0580/3
TUAREG 350	350	1987	→		FCD0580		FCS0580/2	FCS0580/3
TUAREG 350 WIND	350	1987	→ 1990		FCD0580		FCS0580/2	FCS0580/3
TUAREG 600 WIND	600	1989	→		FCD0625			
TUAREG 600 WIND (twin disc)	600	1989	→		FCD0625			
TUAREG 600 WIND PARIS-DAKAR	600	1989	→		FCD0625			
MOTO' 650 6.5	650	1995	→ 2000	FSS0503	FCD0641	FCD0641/1	FCS0641/2	FCS0641/3
PEGASO 650	650	1991	→ 1996	FSS0503	FCD0641	FCD0641/1	FCS0641/2	FCS0641/3
PEGASO 650 3	650	1997	→ 2000	FSS0503	FCD0641	FCD0641/1	FCS0641/2	FCS0641/3
PEGASO 650 FACTORY	650	2005	→ 2009		FCD0737	FCD0737/1		
PEGASO 650 IE	650	2001	→ 2004	FSS0503	FCD0641	FCD0641/1	FCS0641/2	FCS0641/3
PEGASO 650 STRADA	650	2005	→ 2009		FCD0737	FCD0737/1		
PEGASO 650 TRAIL	650	2005	→ 2009		FCD0737	FCD0737/1		
PEGASO 650 TUSCANY TIBET RAID	650	2004	→	FSS0503	FCD0641	FCD0641/1	FCS0641/2	FCS0641/3
STARCK 650	650	1996	→	FSS0503	FCD0641	FCD0641/1	FCS0641/2	FCS0641/3
ETV 1000 CAPONORD	1000	2001	→ 2003	FSS0503	FCD0586	FCD0586/1	FCS0586/2	FCS0586/3
ETV 1000 CAPONORD ABS	1000	2004	→ 2007	FSS0503	FCD0586	FCD0586/1	FCS0586/2	FCS0586/3
ETV 1000 CAPONORD RALLY RAID	1000	2004	→	FSS0503	FCD0586	FCD0586/1	FCS0586/2	FCS0586/3
RST 1000 FUTURA	1000	2001	→ 2003	FSS0503	FCD0586	FCD0586/1	FCS0586/2	FCS0586/3
RSV 1000 MILLE	1000	1997	→ 2001	FSS0503	FCD0586	FCD0586/1	FCS0586/2	FCS0586/3
RSV 1000 MILLE R	1000	1998	→ 2005	FSS0503	FCD0586	FCD0586/1	FCS0586/2	FCS0586/3
RSV 1000 SP	1000	1999	→ 2000	FSS0503	FCD0586	FCD0586/1	FCS0586/2	FCS0586/3
RSV 1000 TUONO	1000	2002	→ 2005	FSS0503	FCD0586	FCD0586/1	FCS0586/2	FCS0586/3
RSV 1000 TUONO FIGTHER	1000	2003	→ 2005	FSS0503	FCD0586	FCD0586/1	FCS0586/2	FCS0586/3
RSV 1000 TUONO R	1000	2003	→ 2005	FSS0503	FCD0586	FCD0586/1	FCS0586/2	FCS0586/3
SL 1000 FALCO	1000	2000	→ 2002	FSS0503	FCD0586	FCD0586/1	FCS0586/2	FCS0586/3

BERINI

ANKER 1 old models	1		→		FCD0658			
--------------------	---	--	---	--	---------	--	--	--

BETA

MX 50 ENDURO	50	1992	→		FCD0648			
MX 6 50	50	1982	→		FCD0648			
MX4 50 Special	50	1970	→		FCD0648			
MX6 50 EXPORT	50	1977	→		FCD0648			
RX 50	50	1984	→		FCD0648			
RK 60	60		→		FCD0664			
TZR 125 motore Minarelli RK 6	125		→		FCD0531			
ALP 240	240	1991	→ 1995		FCD0643		FCS0643/2	
TR 240	240	1980	→ 1983		FCD0643		FCS0643/2	
TR 32 240 (mozzo ant autocentrante)	240	1984	→ 1985		FCD0643		FCS0643/2	
TR 32 240	240	1984	→ 1985		FCD0643		FCS0643/2	
TR 33 240	240	1986	→ 1988		FCD0643		FCS0643/2	
TR 33 TREKKING 240	240	1987	→		FCD0643		FCS0643/2	
TREKKING 240	240	1987	→		FCD0643		FCS0643/2	
TECHNO 250	250	1994	→ 1999		FCD0574	FCD0574/1	FCS0574/2	FCS0574/3
TR 34 250	250	1987	→ 1988		FCD0643		FCS0643/2	
TR 34 250 (SPAIN)	250	1989	→		FCD0643		FCS0643/2	
TR 34 250 PROFESSIONAL	250	1989	→		FCD0643		FCS0643/2	
TR 35 250	250	1990	→ 1992		FCD0564			
TR 36 250	250	1992	→		FCD0564			
ZERO 260 SYNT	260	1989	→ 1992		FCD0643		FCS0643/2	
TECHNO 352	352	1996	→		FCD0574	FCD0574/1	FCS0574/2	FCS0574/3

BMW

R 45 450 (21_0067 - 248)(da 09/80)	450	1980	→ 1985		FCD0627			
R 45 450 (21_0068 - 248)(a 09/80)	450	1978	→ 1980		FCD0657			
R 45 N 450 (21_0067 - 248)(da 09/80)	450	1980	→ 1985		FCD0627			
R 45 N 450 (21_0068 - 248)(a 09/80)	450	1978	→ 1980		FCD0657			
R 45 T 450	450	1980	→ 1985		FCD0627			
R 45 T/N 450	450	1980	→ 1985		FCD0627			
R 50/5 500	500	1969	→ 1973		FCD0540			
R 60 TIC 600	600	1978	→ 1982		FCD0540			
R 60/5 600	600	1969	→ 1973		FCD0540			
R 60/6 600	600	1973	→ 1976		FCD0540			
R 60/7 600	600	1976	→ 1980		FCD0540			
F 650	650	1993	→ 2003	FSS0503	FCD0641	FCD0641/1	FCS0641/2	FCS0641/3
F 650 CS SCARVER	650	2000	→ 2003	FSS0503	FCD0688	FCD0688/1	FCS0688/2	FCS0688/3
F 650 CS SCARVER	650	2004	→ 2007	FSS0503	FCD0689	FCD0689/1		
F 650 DAKAR	650	1999	→ 2003	FSS0503	FCD0688	FCD0688/1	FCS0688/2	FCS0688/3

FCDXXXX STANDARD FRICTION PLATES ONLY
 FCDXXXX/1 HIGH PERFORMANCE FRICTION PLATES ONLY
 FCSXXXX/2 STANDARD FRICTION PLATES + STEEL PLATES
 FCSXXXX/3 HIGH PERFORMANCE FRICTION PLATES + STEEL PLATES

FERODO
 MOTORCYCLE CLUTCHES
 Updated on 11th Oct 2013

2001

BMW



KIT RANGE



STANDARD

HIGH PERFORMANCE



STANDARD

HIGH PERFORMANCE

BMW

					STANDARD	HIGH PERFORMANCE	STANDARD	HIGH PERFORMANCE
F 650 DAKAR	650	2004 → 2007	FSS0503	FCD0689	FCD0689/1			
F 650 ST STRADA	650	1997 → 2000	FSS0503	FCD0641	FCD0641/1	FCS0641/2	FCS0641/3	
F 650 GS	650	1999 → 2003	FSS0503	FCD0688	FCD0688/1	FCS0688/2	FCS0688/3	
F 650 GS	650	2004 → 2007	FSS0503	FCD0689	FCD0689/1			
F 650 GS ABS	650	2002 → 2003	FSS0503	FCD0688	FCD0688/1	FCS0688/2	FCS0688/3	
F 650 GS ABS	650	2004 → 2007	FSS0503	FCD0689	FCD0689/1			
F 650 ST	650	1996 → 2000	FSS0503	FCD0641	FCD0641/1	FCS0641/2	FCS0641/3	
R 65 650 (21_0067 - 248)(da 09/80)	650	1980 → 1985		FCD0627				
R 65 650 (21_0068 - 248)(a 09/80)	650	1978 → 1980		FCD0657				
R 65 650 20 KW	650	1985 → 1993		FCD0627				
R 65 650 35 KW	650	1985 → 1988		FCD0627				
R 65 650 GS	650	1987 → 1992		FCD0627				
R 65 650 LS	650	1981 → 1985		FCD0627				
R 65 RT 650	650	1985 → 1988		FCD0627				
R 65 T 650	650	1980 → 1985		FCD0627				
K 75 750	750	1984 → 1988		FCD0529				
K 75 C 750 C	750	1985 → 1988		FCD0529				
K 75 RT 750	750	1989 → 2005		FCD0529				
K 75 S 750	750	1988 → 1995		FCD0529				
R 75/5 750	750	1969 → 1980		FCD0540				
R 75/6 750	750	1973 → 1976		FCD0540				
R75/7 750	750	1975 → 1979		FCD0540				
R 80 800 (single disc)	800	1977 → 1984		FCD0627				
R 80 800 (twin disc)	800	1977 → 1984		FCD0627				
R 80 GS 800	800	1980 → 1995		FCD0627				
R 80 GS 800 PD	800	1990 → 1995		FCD0627				
R 80 R 800 (single disc)	800	1984 → 1995		FCD0627				
R 80 R 800 (twin disc)	800	1984 → 1995		FCD0627				
R 80 R 800 R	800	1991 → 1994		FCD0627				
R 80 R 800 R MYSTIK	800	1994 → 1995		FCD0627				
R 80 RT 800 (single disc)	800	1984 → 1995		FCD0627				
R 80 RT 800 (twin disc)	800	1982 → 1995		FCD0627				
R 80 ST 800	800	1982 → 1984		FCD0627				
R 80 TIC 800 (21_0067 - 2474)(da 09/80)	800	1980 → 1985		FCD0627				
R 80 TIC 800 (21_0072 - 2474)(a 09/80)	800	1977 → 1980		FCD0540				
R 850 C	850	1997 → 2000		FCD0617				
R 850 GS	850	1996 → 2000		FCD0652				
R 850 R (21_0097 - 259R)	850	1994 → 2002		FCD0652				
R 850 R (21_0145 - R28)	850	1999 → 2007		FCD0617				
R 850 RT (21_0097 - 259T)	850	1996 → 2001		FCD0652				
R 850 RT (21_0145 - R22)	850	2000 → 2006		FCD0617				
R 90 S 900	900	1973 → 1976		FCD0540				
R 90/6 900	900	1973 → 1976		FCD0540				
R 900 RT	900	2005 → 2009		FCD0738				
K 1 1000	1000	1988 → 1993		FCD0652				
K 100 1000	1000	1982 → 1988		FCD0652				
K 100 LT 1000	1000	1986 → 1991		FCD0652				
K 100 RS 1000	1000	1989 → 1992		FCD0652				
K 100 RT 1000	1000	1983 → 1989		FCD0652				
R 100 1000 S	1000	1976 → 1980		FCD0540				
R 100 1000 S (da 09/80)	1000	1980 → 1980		FCD0540				
R 100 CS 1000	1000	1980 → 1984		FCD0627				
R 100 GS 1000	1000	1986 → 1994		FCD0627				
R 100 GS 1000 PD	1000	1989 → 1996		FCD0627				
R 100 R 1000	1000	1991 → 1995		FCD0627				
R 100 R 1000 MYSTIK	1000	1993 → 1996		FCD0627				
R 100 RS 1000 (21_0067 - 2474)(da 09/80)	1000	1980 → 1984		FCD0627				
R 100 RS 1000 (21_0067 - 2478)	1000	1986 → 1992		FCD0627				
R 100 RS 1000 (21_0072 - 2474)(a 09/80)	1000	1976 → 1980		FCD0540				
R 100 RT 1000	1000	1987 → 1995		FCD0627				
R 100 RT 1000 (21_0067 - 2474)(da 09/80)	1000	1980 → 1984		FCD0627				
R 100 RT 1000 (21_0072 - 2474)(a 09/80)	1000	1978 → 1980		FCD0540				
R 100 TIC 1000	1000	1980 → 1984		FCD0627				
R 100/7 1000	1000	1976 → 1977		FCD0540				
R 100/7T 1000 (21_0067 - 2474)(da 09/80)	1000	1980 → 1984		FCD0627				
R 100/7T 1000 (21_0072 - 2474)(a 09/80)	1000	1977 → 1980		FCD0540				
K 1100 LT	1100	1989 → 1999		FCD0652				
K 1100 LT / SE	1100	1992 → 2000		FCD0652				
K 1100 RS	1100	1992 → 1996		FCD0652				
R 1100 GS	1100	1993 → 1999		FCD0652				
R 1100 R	1100	1993 → 2001		FCD0652				
R 1100 RS	1100	1992 → 2001		FCD0652				
R 1100 RT	1100	1994 → 2001		FCD0652				
R 1100 S	1100	1996 → 2005		FCD0617				
R 1100 S BOXER CUP REPLICA	1100	2003 → 2006		FCD0617				
R 1150 GS	1150	1998 → 2003		FCD0617				

20002

FERODO

MOTORCYCLE CLUTCHES

Updated on 11th Oct 2013

FCDXXXX STANDARD FRICTION PLATES ONLY
 FCDXXXX/1 HIGH PERFORMANCE FRICTION PLATES ONLY
 FCSXXXX/2 STANDARD FRICTION PLATES + STEEL PLATES
 FCSXXXX/3 HIGH PERFORMANCE FRICTION PLATES + STEEL PLATES



KIT RANGE



STANDARD HIGH PERFORMANCE



STANDARD HIGH PERFORMANCE

...BMW

Model	Year	Year Range	Code	Standard	High Performance	Standard	High Performance
R 1150 GS ADV	1150	2001 → 2005	FCD0617				
R 1150 R ROCKSTER	1150	2002 → 2005	FCD0617				
R 1150 RS	1150	2000 → 2004	FCD0617				
R 1150 RT	1150	2000 → 2006	FCD0617				
HP2 1200 ENDURO	1200	2005 → 2009	FCD0738				
HP2 1200 MEGAMOTO	1200	2007 → 2010	FCD0738				
HP2 1200 SPORT	1200	2008 → 2011	FCD0738				
K 1200 GT	1200	2002 → 2005	FCD0653				
K 1200 LT	1200	1997 → 2008	FCD0653				
K 1200 RS	1200	1996 → 2005	FCD0653				
R 1200 C	1200	1996 → 2003	FCD0617				
R 1200 C I/M	1200	2003 → 2004	FCD0617				
R 1200 CI	1200	2000 → 2003	FCD0617				
R 1200 CL	1200	2001 → 2004	FCD0617				
R 1200 GS	1200	2008 → 2012	FCD0738				
R 1200 GS ADV	1200	2008 → 2012	FCD0738				
R 1200 MONTAUK	1200	2002 → 2004	FCD0617				
R 1200 R 10	1200	2009 → 2012	FCD0738				
R 1200 RT	1200	2003 → 2012	FCD0738				
R 1200 S	1200	2004 → 2006	FCD0738				
R 1200 ST	1200	2003 → 2007	FCD0738				

BULTACO

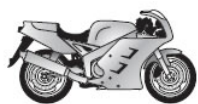
Model	Year	Year Range	Code	Standard	High Performance	Standard	High Performance
LOBITO 50	50	1999 →	FSS0507	FCD0585	FCD0585/1	FCS0585/2	FCS0585/3
LOBITO 74	74	1976 →				FCS0616/2	
BRINCO 75	75	1973 → 1976				FCS0659/2	
FRONTERA 75	75	1976 → 1981				FCS0616/2	
JUNIOR 75	75	→				FCS0749/2	
JUNIOR 75 GT2	75	→				FCS0749/2	
LOBITO 75 MK3	75	1969 → 1972				FCS0616/2	
LOBITO 75 MK6	75	1973 →				FCS0659/2	
LOBITO 75 MK8	75	1974 →				FCS0746/2	
LOBITO 75 MK8	75	1975 →				FCS0745/2	
STREAKER 75	75	1977 → 1982				FCS0616/2	
TIRON 75	75	1971 → 1974				FCS0746/2	
JUNIOR 100	100	→				FCS0749/2	
LOBITO 100 MK3	100	1969 → 1972				FCS0616/2	
SHERPA S 100	100	1961 → 1972				FCS0748/2	
FRONTERA 125	125	1976 → 1981				FCS0616/2	
JUNIOR 125	125	→				FCS0749/2	
LOBITO 125	125	→				FCS0616/2	
LOBITO 125 MK3	125	1969 → 1972				FCS0616/2	
LOBITO 125 MK4/5/7/8	125	1971 → 1975				FCS0616/2	
LOBITO 125 MK6	125	1973 →				FCS0747/2	
PURSANG 125 MK5	125	1972 →				FCS0605/2	
PURSANG 125 MK6	125	1973 →				FCS0605/2	
PURSANG 125 MK7/8	125	1974 → 1975				FCS0616/2	
PURSANG 125 MK9/10	125	1976 → 1977				FCS0616/2	
SHERPA S 125	125	1961 → 1972				FCS0748/2	
STREAKER 125	125	1977 → 1982				FCS0616/2	
TSS 125	125	→				FCS0605/2	
155 150	150	→				FCS0749/2	
TRALLA 150 101/102	150	→				FCS0749/2	
MERCURIO 155	155	1966 → 1974				FCS0749/2	
SHERPA N 155	155	1960 → 1965				FCS0749/2	
CAMPERA 175 MK2	175	1969 → 1972				FCS0616/2	
LOBITO 175 MK4/5/6/7/8	175	1971 → 1975				FCS0616/2	
MERCURIO 175	175	1966 → 1974				FCS0749/2	
SENIOR 175	175	→				FCS0743/2	
SHERPA S 175	175	1961 → 1972				FCS0748/2	
EL TIGRE 200	200	1966 → 1969				FCS0616/2	
PURSANG 200 METISE	200	→				FCS0743/2	
PURSANG 200 MK8/9/10	200	1974 → 1977				FCS0616/2	
SATURNO 200	200	→				FCS0743/2	
SHERPA N 200	200	→				FCS0749/2	
SHERPA S 200	200	1961 → 1972				FCS0748/2	
TSS 200	200	→				FCS0605/2	
ALPINA 250	250	1971 → 1980				FCS0616/2	
ASTRO 105 250	250	1973 →				FCS0605/2	
ASTRO 145 250	250	1975 → 1976				FCS0616/2	
ASTRO 163 250	250	1977 →				FCS0616/2	
ASTRO 195 250	250	1978 → 1979				FCS0605/2	
ASTRO 90 250	250	1972 →				FCS0605/2	
FRONTERA 250 GM	250	1977 → 1979				FCS0616/2	
FRONTERA 250 MK10	250	1977 → 1978				FCS0605/2	

FCDXXXX STANDARD FRICTION PLATES ONLY
 FCDXXXX/1 HIGH PERFORMANCE FRICTION PLATES ONLY
 FCSXXXX/2 STANDARD FRICTION PLATES + STEEL PLATES
 FCSXXXX/3 HIGH PERFORMANCE FRICTION PLATES + STEEL PLATES

FERODO
 MOTORCYCLE CLUTCHES
 Updated on 11th Oct 2013

2003

BULTACO



HIGH PERFORMANCE



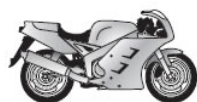
HIGH PERFORMANCE

...BULTACO

					STANDARD	HIGH PERFORMANCE	STANDARD	HIGH PERFORMANCE
FRONTERA 250 MK11/12	250	1979 → 1981					FCS0649/2	
FRONTERA 250 MK9	250	1975 → 1976					FCS0616/2	
MATADOR 250 MK2	250	→					FCS0743/2	
MATADOR 250 MK3/4/5/9/10	250	1967 → 1979					FCS0616/2	
METRALLA 250 GT/GTS	250	1975 → 1980					FCS0616/2	
METRALLA 250 MK2	250	1966 → 1974					FCS0616/2	
PURSANG 250 MK11/12	250	1978 →					FCS0649/2	
PURSANG 250 MK2/3/4	250	1967 → 1971					FCS0748/2	
PURSANG 250 MK5	250	1972 →					FCS0605/2	
PURSANG 250 MK6	250	1973 →					FCS0605/2	
PURSANG 250 MK7/8/10	250	1975 → 1977					FCS0616/2	
SHERPA 250 T MO	250	1971 → 1981					FCS0616/2	
SHERPA T 250 (MOD 49)	250	1968 → 1971					FCS0748/2	
TSS 250	250	→					FCS0605/2	
ALPINA 350	350	1971 → 1980					FCS0616/2	
BANDIDO 350 MK1/2/3	350	1967 → 1973					FCS0744/2	
MONTADERO 350 MK1/2/3	350	1968 → 1971					FCS0744/2	
PURSANG 350 MK11/12	350	1978 →					FCS0649/2	
PURSANG 350 MK5	350	1972 →					FCS0605/2	
PURSANG 350 MK6	350	1973 →					FCS0605/2	
SHERPA 350 T MO	350	1971 → 1981					FCS0616/2	
ASTRO 105 360	360	1973 →					FCS0605/2	
ASTRO 125 360	360	1974 →					FCS0605/2	
ASTRO 146 360	360	1975 → 1976					FCS0605/2	
ASTRO 164 360	360	1977 →					FCS0605/2	
ASTRO 90 360	360	1972 →					FCS0605/2	
BANDIDO 360 MK1/2/3	360	1967 → 1973					FCS0744/2	
FRONTERA 360 MK9	360	1975 → 1976					FCS0605/2	
MONTADERO 360 MK1/2/3	360	1968 → 1971					FCS0744/2	
MONTJUIC 360	360	1980 →					FCS0616/2	
PURSANG 360 MK7/8	360	1974 → 1975					FCS0605/2	
FRONTERA 370 GM	370	1977 → 1979					FCS0605/2	
FRONTERA 370 MK10	370	1977 → 1978					FCS0605/2	
FRONTERA 370 MK11/12	370	1979 → 1981					FCS0649/2	
PURSANG 370 MK9/10	370	1976 → 1977					FCS0605/2	

CAGIVA

COCIS 50	50	1988 →			FCD0592	FCD0592/1		
MITO 50	50	1998 → 2001	FSS0507		FCD0585	FCD0585/1	FCS0585/2	FCS0585/3
COCHIS 75	75	1989 →			FCD0741	FCD0741/1		
ALETTA 125 ORO S2	125	1986 →	FSS0515		FCD0593	FCD0593/1	FCS0593/2	FCS0593/3
BLUES 125	125	1988 → 1993	FSS0515		FCD0593	FCD0593/1	FCS0593/2	FCS0593/3
CRUISER 125	125	1987 →	FSS0515		FCD0593	FCD0593/1	FCS0593/2	FCS0593/3
DAKAR 125	125	1985 →			FCD0614	FCD0614/1	FCS0614/2	FCS0614/3
ELEFANT 125	125	1984 → 1986			FCD0614	FCD0614/1	FCS0614/2	FCS0614/3
ELEFANTRE 125	125	1987 →	FSS0515		FCD0593	FCD0593/1	FCS0593/2	FCS0593/3
FRECCIA 125 C10 all models	125	1988 →			FCD0614	FCD0614/1	FCS0614/2	FCS0614/3
FRECCIA 125 C12 R	125	1989 → 1991	FSS0515		FCD0593	FCD0593/1	FCS0593/2	FCS0593/3
FRECCIA 125 C9	125	1988 →			FCD0614	FCD0614/1	FCS0614/2	FCS0614/3
MITO 125	125	1991 → 1992	FSS0515		FCD0593	FCD0593/1	FCS0593/2	FCS0593/3
MITO 125 EDDY	125	1993 →	FSS0515		FCD0593	FCD0593/1	FCS0593/2	FCS0593/3
MITO 125 EURO 2	125	2005 →	FSS0515		FCD0593	FCD0593/1	FCS0593/2	FCS0593/3
MITO 125 EV	125	1994 → 2003	FSS0515		FCD0593	FCD0593/1	FCS0593/2	FCS0593/3
MITO 2 125 PRODUCTION RACER	125	1994 →	FSS0515		FCD0593	FCD0593/1	FCS0593/2	FCS0593/3
SST 125 LOW RIDER	125	1983 →			FCD0577		FCS0577/2	
SST 125 ruota integrale	125	1981 →			FCD0577		FCS0577/2	
SST 125 ruota raggi	125	1981 →			FCD0577		FCS0577/2	
SXT 125	125	1982 →			FCD0614	FCD0614/1	FCS0614/2	FCS0614/3
TAMANACO 125	125	1988 →	FSS0515		FCD0593	FCD0593/1	FCS0593/2	FCS0593/3
WMX 125	125	→ 1982	FSS0515		FCD0593	FCD0593/1	FCS0593/2	FCS0593/3
WMX 125 (mozzi Rimoldi)	125	1984 →	FSS0515		FCD0593	FCD0593/1	FCS0593/2	FCS0593/3
WMX 125 /3	125	→ 1983	FSS0515		FCD0593	FCD0593/1	FCS0593/2	FCS0593/3
WMX 125 CROSS	125	1986 →	FSS0515		FCD0593	FCD0593/1	FCS0593/2	FCS0593/3
WR 125	125	1993 →	FSS0515		FCD0593	FCD0593/1	FCS0593/2	FCS0593/3
WRX 125	125	1982 →	FSS0515		FCD0593	FCD0593/1	FCS0593/2	FCS0593/3
WRX 125 /1	125	1983 →	FSS0515		FCD0593	FCD0593/1	FCS0593/2	FCS0593/3
WSXT 125 ALETTA ROSSA	125	1983 →			FCD0614	FCD0614/1	FCS0614/2	FCS0614/3
MXR 250	250	1981 →			FCD0610		FCS0610/2	
RX 250	250	1981 →			FCD0610		FCS0610/2	
SX 250	250	1982 →			FCD0594	FCD0594/1	FCS0594/2	FCS0594/3
WMX 250 CROSS	250	1987 →			FCD0629			
ALA ROSSA 350	350	1983 →			FCD0610		FCS0610/2	
RX 350	350	1983 →			FCD0610		FCS0610/2	
SX 350	350	→ 1982			FCD0594	FCD0594/1	FCS0594/2	FCS0594/3
SX 350	350	1983 →			FCD0594	FCD0594/1	FCS0594/2	FCS0594/3



KIT RANGE



STANDARD

HIGH PERFORMANCE



STANDARD

HIGH PERFORMANCE

...CAGIVA

T4 350 R - ER	350	1987	→		FCD0610		FCS0610/2	
ELEFANT 750	750	1993	→ 1995		FCD0568		FCS0568/2	
ELEFANT 900 I.E.- GT - AC	900	1991	→ 1994		FCD0671		FCS0671/2	
NAVIGATOR 1000	1000	2000	→ 2005		FCD0347	FCD0347/1		
RAPTOR 1000	1000	2000	→ 2006		FCD0347	FCD0347/1		
RAPTOR 1000 XTRA	1000	2002	→ 2004		FCD0347	FCD0347/1		
V-RAPTOR 1000	1000	2000	→ 2006		FCD0347	FCD0347/1		
X-RAPTOR 1000	1000	2003	→		FCD0347	FCD0347/1		

CASAL

old models 1	1		→		FCD0552			
old models 1 CASAL-SACHS	1		→		FCD0670			

DERBI

DERBI 50	50		→		FCD0622			
DIABLO 50 SUPER	50		→		FCD0553			
DS 50 WORLD CHAMPION	50	1988	→		FCD0533			
FDS 50	50	1986	→		FCD0533			
FENIX 50	50	1994	→ 1998		FCD0645			
GPR 50 R X-RACE EU2	50	2006	→ 2009	FSS0507	FCD0585	FCD0585/1	FCS0585/2	FCS0585/3
GPR 50 R X-TREME EU2	50	2005	→ 2008	FSS0507	FCD0585	FCD0585/1	FCS0585/2	FCS0585/3
GPR 50 RACING EU2	50	2006	→	FSS0507	FCD0585	FCD0585/1	FCS0585/2	FCS0585/3
GPR 50 REPLICA 2T	50	2007	→	FSS0507	FCD0585	FCD0585/1	FCS0585/2	FCS0585/3
GPR 50 SM X-RACE EU2	50	2006	→ 2009	FSS0507	FCD0585	FCD0585/1	FCS0585/2	FCS0585/3
GPR 50 NUDE	50	2004	→ 2008	FSS0507	FCD0585	FCD0585/1	FCS0585/2	FCS0585/3
GPR 50 NUDE SPORT	50	2008	→	FSS0507	FCD0585	FCD0585/1	FCS0585/2	FCS0585/3
GPR 50 NUDE TUNING	50	2006	→ 2008	FSS0507	FCD0585	FCD0585/1	FCS0585/2	FCS0585/3
GPR 50 R DRD PRO EU2	50	2005	→ 2009	FSS0507	FCD0585	FCD0585/1	FCS0585/2	FCS0585/3
GPR 50 R DRD RACING EU2	50	2005	→ 2008	FSS0507	FCD0585	FCD0585/1	FCS0585/2	FCS0585/3
GPR 50 R EU2 - REPLICA EU2	50	2008	→	FSS0507	FCD0585	FCD0585/1	FCS0585/2	FCS0585/3
GPR 50 REPLICA - R EU2	50	2006	→	FSS0507	FCD0585	FCD0585/1	FCS0585/2	FCS0585/3
GPR 50 REPLICA PESEK EU2	50	2007	→	FSS0507	FCD0585	FCD0585/1	FCS0585/2	FCS0585/3
GPR 50 SM DRD PRO EU2	50	2005	→ 2008	FSS0507	FCD0585	FCD0585/1	FCS0585/2	FCS0585/3
GPR 50 SM DRD RACING EU2	50	2005	→ 2008	FSS0507	FCD0585	FCD0585/1	FCS0585/2	FCS0585/3
GPR 50 SM DRD RACING LTD EU2	50	2007	→	FSS0507	FCD0585	FCD0585/1	FCS0585/2	FCS0585/3
GPR 50 SM X-TREME EU2	50	2005	→ 2008	FSS0507	FCD0585	FCD0585/1	FCS0585/2	FCS0585/3
old models 50 (3 dischi)	50		→		FCD0525			
old models 50 (5 dischi)	50		→		FCD0613			
RD 2 50	50	1989	→		FCD0533			
SENDA 50	50	1994	→	FSS0507	FCD0585	FCD0585/1	FCS0585/2	FCS0585/3
SENDA 50 EX	50	1995	→ 1997	FSS0507	FCD0585	FCD0585/1	FCS0585/2	FCS0585/3
SENDA 50 L	50	1999	→	FSS0507	FCD0585	FCD0585/1	FCS0585/2	FCS0585/3
SENDA 50 L 6V	50	1994	→ 1997	FSS0507	FCD0585	FCD0585/1	FCS0585/2	FCS0585/3
SENDA 50 R	50	1994	→ 2004	FSS0507	FCD0585	FCD0585/1	FCS0585/2	FCS0585/3
SENDA 50 R 6V	50	1994	→ 1997	FSS0507	FCD0585	FCD0585/1	FCS0585/2	FCS0585/3
SENDA 50 R DRD	50	2003	→ 2004	FSS0507	FCD0585	FCD0585/1	FCS0585/2	FCS0585/3
SENDA 50 R RACER	50	2002	→	FSS0507	FCD0585	FCD0585/1	FCS0585/2	FCS0585/3
SENDA 50 R XTREAM	50	2000	→ 2001	FSS0507	FCD0585	FCD0585/1	FCS0585/2	FCS0585/3
SENDA 50 SM	50	1999	→	FSS0507	FCD0585	FCD0585/1	FCS0585/2	FCS0585/3
SENDA 50 SM DRD BLACK EDITION	50	2003	→	FSS0507	FCD0585	FCD0585/1	FCS0585/2	FCS0585/3
SENDA 50 SM DRD RACING	50	2003	→ 2004	FSS0507	FCD0585	FCD0585/1	FCS0585/2	FCS0585/3
SENDA 50 SM DRD RACING LTD	50	2005	→	FSS0507	FCD0585	FCD0585/1	FCS0585/2	FCS0585/3
SENDA 50 SM DRT	50	2002	→	FSS0507	FCD0585	FCD0585/1	FCS0585/2	FCS0585/3
SENDA 50 SM RACER	50	2002	→	FSS0507	FCD0585	FCD0585/1	FCS0585/2	FCS0585/3
SENDA 50 SM XTREAM	50	2000	→ 2001	FSS0507	FCD0585	FCD0585/1	FCS0585/2	FCS0585/3
SENDA 50 SR	50	1999	→	FSS0507	FCD0585	FCD0585/1	FCS0585/2	FCS0585/3
SENDA 50 SUPERMOTARD	50	1997	→ 2000	FSS0507	FCD0585	FCD0585/1	FCS0585/2	FCS0585/3
SENDA 50 X-TREME	50	1994	→ 2004	FSS0507	FCD0585	FCD0585/1	FCS0585/2	FCS0585/3
TRICAMPEONA 50 7 C-4	50		→		FCD0553			
GPR 80 CUP	80	2004	→	FSS0507	FCD0585	FCD0585/1	FCS0585/2	FCS0585/3
VARIANT 80 massette avviamento	80		→		FCD0555			
VARIANT 80 massette frizione	80		→		FCD0596			

DUCATI

MONSTER 400	400	1995	→ 1999		FCD0706		FCS0706/2	
MONSTER 400	400	2000	→ 2008		FCD0665		FCS0665/2	
MONSTER 400 (versione sinterizzata)	400	1995	→ 1997		FCD0568		FCS0568/2	
MONSTER 400 DARK IE	400	2005	→		FCD0665		FCS0665/2	
SUPERSPORT 400	400	1993	→ 1997		FCD0706		FCS0706/2	
SUPERSPORT 400 (versione sinterizzata)	400	1993	→ 1997		FCD0568		FCS0568/2	
550 SUPERMONO	550	1992	→		FCD0620		FCS0620/2	
MONSTER 600	600	1993	→ 1997		FCD0706		FCS0706/2	

FCDXXXX STANDARD FRICTION PLATES ONLY
 FCDXXXX/1 HIGH PERFORMANCE FRICTION PLATES ONLY
 FCSXXXX/2 STANDARD FRICTION PLATES + STEEL PLATES
 FCSXXXX/3 HIGH PERFORMANCE FRICTION PLATES + STEEL PLATES

FERODO
 MOTORCYCLE CLUTCHES
 Updated on 11th Oct 2013

2005

DUCATI



KIT RANGE



STANDARD

HIGH PERFORMANCE



STANDARD

HIGH PERFORMANCE

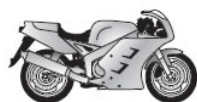
...DUCATI

MONSTER 600	600	1998 → 2001		FCD0665		FCS0665/2	
MONSTER 600 (versione sinterizzata)	600	1993 → 1997		FCD0568		FCS0568/2	
MONSTER 600 CITY - CITY DARK -DARK	600	1999 →		FCD0665		FCS0665/2	
MONSTER 600 DARK	600	1998 →		FCD0665		FCS0665/2	
SUPERSPORT 600	600	1991 → 1997		FCD0706		FCS0706/2	
SUPERSPORT 600 (versione sinterizzata)	600	1991 → 1997		FCD0568		FCS0568/2	
MONSTER 620 (5 marce - single disk)	620	2004 →		FCD0665		FCS0665/2	
MONSTER 620	620	2005 → 2006		FCD0720		FCS0720/2	
MONSTER 620 (6 marce)	620	2004 →		FCD0720		FCS0720/2	
MONSTER 620 DARK	620	2005 → 2006		FCD0720		FCS0720/2	
MONSTER 620 DARK (single disk)	620	2005 →		FCD0720		FCS0720/2	
MONSTER 620 IE	620	2002 → 2003		FCD0665		FCS0665/2	
MULTISTRADA 620	620	2006 →		FCD0720		FCS0720/2	
MULTISTRADA 620 DARK	620	2006 →		FCD0720		FCS0720/2	
SPORT 620	620	2003 →		FCD0665		FCS0665/2	
MONSTER 695	695	2007 → 2008		FCD0720		FCS0720/2	
MONSTER 696	696	2013 →		FCD0720		FCS0720/2	
MONSTER 696 700	700	2008 → 2013		FCD0720		FCS0720/2	
748 748	748	2002 →		FCD0671		FCS0671/2	
748 748 BIPOSTO	748	2001 →		FCD0672		FCS0672/2	
748 748 BIPOSTO - SP	748	1995 → 2001		FCD0671		FCS0671/2	
748 748 RACING (con antisaltellamento)	748	1998 → 1999		FCD0669		FCS0669/2	
748 748 RS (con antisaltellamento)	748	2000 → 2001		FCD0669		FCS0669/2	
748 748 S (versione organica)	748	2000 → 2002		FCD0672		FCS0672/2	
748 748 S (versione sinterizzata)	748	2000 → 2002		FCD0671		FCS0671/2	
748 748 SPS	748	1998 → 1999		FCD0671		FCS0671/2	
748 748 TESTA BASSA	748	2001 →		FCD0671		FCS0671/2	
749 748	748	2003 → 2006		FCD0672		FCS0672/2	
749 748 DARK	748	2004 → 2006		FCD0672		FCS0672/2	
749 748 R (versione organica)	748	2004 → 2006		FCD0716		FCS0716/2	
749 748 R (versione sinterizzata)	748	2004 → 2006		FCD0669		FCS0669/2	
749 748 S	748	2003 → 2004		FCD0672		FCS0672/2	
749 748 S	748	2005 → 2006		FCD0672		FCS0672/2	
MONSTER 750	750	1998 → 2001		FCD0665		FCS0665/2	
MONSTER 750	750	1996 → 1997		FCD0706		FCS0706/2	
MONSTER 750 (versione sinterizzata)	750	1996 → 1997		FCD0568		FCS0568/2	
MONSTER 750 CITY - CITY DARK	750	1999 →		FCD0665		FCS0665/2	
MONSTER 750 IE	750	2002 →		FCD0665		FCS0665/2	
SPORT 750	750	2001 → 2002		FCD0665		FCS0665/2	
SUPERSPORT 750	750	1991 → 1997		FCD0706		FCS0706/2	
SUPERSPORT 750	750	1999 →		FCD0665		FCS0665/2	
SUPERSPORT 750 (versione sinterizzata)	750	1991 → 1997		FCD0568		FCS0568/2	
SUPERSPORT 750 IE	750	2000 → 2002		FCD0665		FCS0665/2	
MONSTER 795	795	2013 →		FCD0720		FCS0720/2	
MONSTER 796	796	2013 →		FCD0720		FCS0720/2	
HYPERMOTARD 796 800 (800cc)	800	2010 → 2012		FCD0720		FCS0720/2	
MONSTER 796 800	800	2011 → 2013		FCD0720		FCS0720/2	
MONSTER 800	800	2003 → 2004		FCD0665		FCS0665/2	
MONSTER 800 S2R	800	2005 → 2007		FCD0720		FCS0720/2	
MONSTER 800 S2R DARK	800	2005 → 2006		FCD0720		FCS0720/2	
SPORT 800	800	2003 →		FCD0665		FCS0665/2	
SUPERSPORT 800	800	2003 → 2005		FCD0665		FCS0665/2	
851 all models	851	1991 → 1992		FCD0669		FCS0669/2	
888 all models	888	1993 → 1995		FCD0669		FCS0669/2	
888 SUPERBIKE STRADA	888	1994 → 1995		FCD0669		FCS0669/2	
MH 900	900	2001 → 2002		FCD0671		FCS0671/2	
MONSTER 900 CROMO	900	1998 → 1999		FCD0671		FCS0671/2	
MONSTER 900	900	1993 → 1999		FCD0671		FCS0671/2	
MONSTER 900 CITY - CITY DARK	900	1999 →		FCD0671		FCS0671/2	
MONSTER 900 IE (versione organica)	900	2002 →		FCD0672		FCS0672/2	
MONSTER 900 IE (versione sinterizzata)	900	2000 → 2001		FCD0671		FCS0671/2	
MONSTER 900 SPECIAL	900	1998 →		FCD0671		FCS0671/2	
SPORT 900	900	2002 →		FCD0671		FCS0671/2	
SUPERSPORT 900	900	1998 → 1999		FCD0671		FCS0671/2	
SUPERSPORT 900 F.E.	900	1998 →		FCD0671		FCS0671/2	
SUPERSPORT 900 IE	900	2000 → 2002		FCD0671		FCS0671/2	
SUPERSPORT 900 SUPERLIGHT	900	1991 → 1997		FCD0671		FCS0671/2	
907 IE	907	1990 → 1993		FCD0669		FCS0669/2	
916 916 BIPOSTO SENNA	916	1994 → 1998		FCD0671		FCS0671/2	
916 916 SP	916	1994 → 1996		FCD0662		FCS0662/2	
MONSTER 916 S4	916	2001 → 2002		FCD0671		FCS0671/2	
MONSTER 916 S4 FOGGY	916	2002 →		FCD0671		FCS0671/2	
ST4 916	916	1999 → 2001		FCD0671		FCS0671/2	
ST4 916	916	2002 → 2003		FCD0672		FCS0672/2	
ST2 944	944	1997 → 2001		FCD0671		FCS0671/2	
ST2 944	944	2002 → 2003		FCD0672		FCS0672/2	

2006

FERODO
MOTORCYCLE CLUTCHES
Updated on 11th Oct 2013

FCDXXXX STANDARD FRICTION PLATES ONLY
FCDXXXX/1 HIGH PERFORMANCE FRICTION PLATES ONLY
FCSXXXX/2 STANDARD FRICTION PLATES + STEEL PLATES
FCSXXXX/3 HIGH PERFORMANCE FRICTION PLATES + STEEL PLATES



KIT RANGE



STANDARD

HIGH PERFORMANCE



STANDARD

HIGH PERFORMANCE

...DUCATI

					STANDARD	HIGH PERFORMANCE	STANDARD	HIGH PERFORMANCE
916 996 SPS - SPS I/II/III	996	1997	→	2000	FCD0662		FCS0662/2	
916 RACING 996 (con antisaltellamento)	996	1997	→	1998	FCD0669		FCS0669/2	
996 996	996	1999	→	2001	FCD0671		FCS0671/2	
996 996 R	996	2001	→		FCD0662		FCS0662/2	
996 996 RS (con antisaltellamento)	996	2000	→	2001	FCD0669		FCS0669/2	
996 996 S	996	2001	→		FCD0662		FCS0662/2	
MONSTER 996 S4R	996	2003	→	2006	FCD0672		FCS0672/2	
ST4S 996	996	2001	→		FCD0671		FCS0671/2	
ST4S 996	996	2002	→	2004	FCD0672		FCS0672/2	
ST4S 996 ABS	996	2003	→	2004	FCD0672		FCS0672/2	
998 998	998	2002	→	2003	FCD0671		FCS0671/2	
998 998 MATRIX	998	2004	→		FCD0671		FCS0671/2	
998 998 R	998	2002	→		FCD0662		FCS0662/2	
998 998 RS (con antisaltellamento)	998	2002	→	2003	FCD0669		FCS0669/2	
998 998 S	998	2005	→	2006	FCD0672		FCS0672/2	
998 998 S BAYLISS - BOSTROM	998	2002	→		FCD0671		FCS0671/2	
998 998 S FINAL EDITION	998	2004	→		FCD0672		FCS0672/2	
999 998	998	2003	→	2006	FCD0672		FCS0672/2	
999 998 R	998	2003	→	2004	FCD0662		FCS0662/2	
999 998 R	998	2005	→	2006	FCD0672		FCS0672/2	
999 998 RS (con antisaltellamento)	998	2004	→	2005	FCD0669		FCS0669/2	
999 998 S	998	2003	→	2004	FCD0662		FCS0662/2	
DESMOSEDICI 1000 RR	1000	2008	→		FCD0716		FCS0716/2	
MONSTER 1000	1000	2003	→	2005	FCD0672		FCS0672/2	
MONSTER 1000 S	1000	2005	→		FCD0672		FCS0672/2	
MONSTER 1000 S2R	1000	2006	→	2008	FCD0672		FCS0672/2	
MONSTER 1000 S4R	1000	2007	→	2008	FCD0672		FCS0672/2	
MONSTER 1000 S4RS	1000	2006	→	2008	FCD0672		FCS0672/2	
MONSTER 1000 S4RS TRICOLORE	1000	2008	→		FCD0672		FCS0672/2	
MULTISTRADA 1000	1000	2003	→	2006	FCD0672		FCS0672/2	
MULTISTRADA 1000 DS	1000	2005	→		FCD0672		FCS0672/2	
MULTISTRADA 1000 DS S	1000	2005	→		FCD0672		FCS0672/2	
MULTISTRADA 1000 S	1000	2006	→		FCD0672		FCS0672/2	
PAUL SMART 1000 L.E.	1000	2006	→		FCD0672		FCS0672/2	
SPORT 1000	1000	2006	→		FCD0672		FCS0672/2	
SPORT 1000 MONOPOSTO JPN	1000	2007	→		FCD0672		FCS0672/2	
ST3 1000	1000	2004	→		FCD0672		FCS0672/2	
SUPERSPORT 1000	1000	2003	→	2006	FCD0672		FCS0672/2	
1098 1100	1100	2007	→	2008	FCD0717		FCS0717/2	
1098 1100 S	1100	2007	→	2008	FCD0717		FCS0717/2	
1098 1100 S TRICOLORE	1100	2007	→	2008	FCD0717		FCS0717/2	
HYPERMOTARD 1100	1100	2008	→	2009	FCD0717		FCS0717/2	
HYPERMOTARD 1100 EVO	1100	2011	→	2012	FCD0715		FCS0715/2	
HYPERMOTARD 1100 EVO SP	1100	2010	→	2012	FCD0715		FCS0715/2	
HYPERMOTARD 1100 S	1100	2008	→	2009	FCD0717		FCS0717/2	
MONSTER 1100 - ABS	1100	2009	→	2010	FCD0715		FCS0715/2	
MONSTER 1100 S	1100	2009	→	2010	FCD0715		FCS0715/2	
MONSTER 1100 S ABS	1100	2010	→		FCD0715		FCS0715/2	
STREETFIGHTER 1100	1100	2010	→	2011	FCD0715		FCS0715/2	
STREETFIGHTER 1100 S	1100	2010	→	2012	FCD0715		FCS0715/2	
1098 1200 R	1200	2008	→	2009	FCD0669		FCS0669/2	
1098 1200 R BAYLISS	1200	2009	→		FCD0669		FCS0669/2	
1198 1200	1200	2009	→	2011	FCD0715		FCS0715/2	
1198 1200 R CORSE	1200	2010	→		FCD0669		FCS0669/2	
1198 1200 S	1200	2009	→	2010	FCD0715		FCS0715/2	
1198 1200 S CORSE	1200	2010	→		FCD0715		FCS0715/2	
1198 1200 SP	1200	2011	→		FCD0669		FCS0669/2	
SUPERBIKE 1198 1200	1200	2011	→		FCD0715		FCS0715/2	

FANTIC

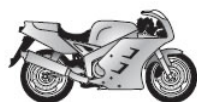
OASIS 50 .1	50	1986	→	1987	FCD0619	FCD0619/1	FCS0619/2	FCS0619/3
OASIS 50 .1 K.S.	50	1987	→		FCD0619	FCD0619/1	FCS0619/2	FCS0619/3
OASIS 50 .1 RALLY	50	1986	→		FCD0619	FCD0619/1	FCS0619/2	FCS0619/3
OASIS 50 .1 KICK	50	1987	→		FCD0619	FCD0619/1	FCS0619/2	FCS0619/3
RAIDER 50	50	1981	→	1985	FCD0619	FCD0619/1	FCS0619/2	FCS0619/3
RAIDER 50 .1	50	1986	→		FCD0619	FCD0619/1	FCS0619/2	FCS0619/3
TRIAL 50 I SERIE (mozzi centrali)	50		→	1983	FCD0587			
TRIAL 50 II mozzi conici	50	1983	→	1984	FCD0587			
TRIAL 50 .1 (FM.268)	50	1986	→		FCD0619	FCD0619/1	FCS0619/2	FCS0619/3
TRIAL 50 .1 H2O	50	1987	→		FCD0619	FCD0619/1	FCS0619/2	FCS0619/3
TRIAL 50 .5	50	1989	→		FCD0619	FCD0619/1	FCS0619/2	FCS0619/3
TRIAL 50 .7	50	1990	→		FCD0619	FCD0619/1	FCS0619/2	FCS0619/3
TRIAL 50 .9	50	1991	→		FCD0619	FCD0619/1	FCS0619/2	FCS0619/3
TRIAL 50 JUNIOR	50	1987	→		FCD0619	FCD0619/1	FCS0619/2	FCS0619/3
CABALLERO 125 REGOLARITA'	125	1981	→	1984	FCD0541			

FCDXXXX STANDARD FRICTION PLATES ONLY
 FCDXXXX/1 HIGH PERFORMANCE FRICTION PLATES ONLY
 FCSXXXX/2 STANDARD FRICTION PLATES + STEEL PLATES
 FCSXXXX/3 HIGH PERFORMANCE FRICTION PLATES + STEEL PLATES

FERODO
 MOTORCYCLE CLUTCHES
 Updated on 11th Oct 2013

2007

FANTIC



KIT RANGE

STANDARD
HIGH PERFORMANCESTANDARD
HIGH PERFORMANCE

...FANTIC

RAIDER 125	125	→	1984	FCD0530		FCS0530/2		
RAIDER 125 LC	125	1984	→	FCD0530		FCS0530/2		
SPORT 125	125	→	1984	FCD0530		FCS0530/2		
SPORT 125 HP1 (FM.265)	125	1985	→	FCD0530		FCS0530/2		
SPORT 125 MK II	125	→	1984	FCD0530		FCS0530/2		
SPORT 125 MK II (f.a.tel.1706338)	125	1985	→	FCD0530		FCS0530/2		
STRADA 125 (FM. 4000-A)	125	1983	→	FCD0530		FCS0530/2		
TRIAL 125 .1 Progress 2	125	1985	→	FCD0660		FCS0660/2		
TRIAL 125 I SERIE. (TEL. grig. m. cen)	125	→		FCD0541				
TRIAL 125 II SERIE (tel.rosso, m.cen)	125	→		FCD0541				
TRIAL 125 III SERIE (mozzi conici)	125	→		FCD0541				
TRIAL 125 PROFESSIONAL (FM.237)	125	1983	→	1984	FCD0530		FCS0530/2	
TRIAL 125 .1 Progress 1	125	1987	→	1988	FCD0660		FCS0660/2	
TRIAL 125 .5	125	1989	→	1990	FCD0530		FCS0530/2	
TRIAL 125 7 DAYS mozzi conici	125	→		FCD0541				
TRIAL 125 7 DAYS(mozzi centrali)	125	→		FCD0541				
TRIAL 125 .9	125	1991	→	FCD0530		FCS0530/2		
TRIAL 200 (FM. 350)	200	1978	→	FCD0541				
TRIAL 200 Progress 1	200	1986	→	FCD0628		FCS0628/2		
TRIAL 200	200	1985	→	1986	FCD0660		FCS0660/2	
TRIAL 201 Progress2	201	1986	→	FCD0628		FCS0628/2		
TRIAL 240 (FM 363)	240	1987	→	1988	FCD0660		FCS0660/2	
TRIAL 240 SEVEN DAYS (FM. 289)	240	1986	→	FCD0660		FCS0660/2		
TRIAL 241 PROFESSIONAL	241	1986	→	FCD0660		FCS0660/2		
K-ROO 250	250	1993	→	FCD0660		FCS0660/2		
K-ROO 250	250	1991	→	1992	FCD0660		FCS0660/2	
TRIAL 300 (FM. 403)	300	1984	→	FCD0572		FCS0572/2		
TRIAL 301 Progress 1 (FM. 266)	301	1985	→	FCD0572		FCS0572/2		
TRIAL 301 Progress 2	301	1986	→	FCD0660		FCS0660/2		
TRIAL 303 (FM 364)	303	1987	→	1988	FCD0660		FCS0660/2	
TRIAL 305	305	1989	→	FCD0660		FCS0660/2		
TRIAL 307	307	1990	→	1991	FCD0660		FCS0660/2	

GARELLI

ciclomotori 1 corpo elastico 1veloc.	1	→		FCD0589				
ciclomotori 1 corpo elastico 2 veloc.	1	→		FCD0668				
ciclomotori 1 disco avviamento	1	→		FCD0655				
BIG WHEEL 50	50	1993	→	FCD0549				
GULP 50	50	→		FCD0549				
KL 50 SV	50	→		FCD0549				
NOI 50 (ruota lega fondermonte)	50	→		FCD0532				
NOI 50 (ruota lega grimeca)	50	→		FCD0532				
NOI 50 (ruota raggi)	50	→		FCD0532				
NOI 50 MATIC	50	→		FCD0532				
TIGER 50 XLE	50	1986	→	FCD0588	FCD0588/1	FCS0588/2	FCS0588/3	
VIP 50 (ruota lega grimeca)	50	→		FCD0532				
VIP 50 (ruota raggi)	50	→		FCD0532				
VIP 50 ruota lega (fondermonte)	50	→		FCD0532				
GTA 125	125	1986	→	FCD0573		FCS0573/2		
TIGER 125	125	→		FCD0541				
TIGER 125 XLE	125	1986	→	FCD0573		FCS0573/2		
TIGER 125 XR	125	→		FCD0573		FCS0573/2		
TIGER 125 XRD	125	→		FCD0573		FCS0573/2		
TRS 125 ACQUA SM	125	→		FCD0573		FCS0573/2		
TSR 125	125	→		FCD0541				
TSR 125 SELF MIX	125	→		FCD0541				
PANTHER 250	250	2002	→	FCD0573		FCS0573/2		
TRIAL 320	320	→	1985	FCD0573		FCS0573/2		

GASGAS

EC 125 MC	125	1997	→	2007	FCD0739/1		FCS0739/3	
EC 125 MX	125	2002	→	2007	FCD0739/1		FCS0739/3	
EC 125 SM	125	2002	→	2007	FCD0739/1		FCS0739/3	
EC 125 SYXDAYS	125	2010	→		FCD0739/1		FCS0739/3	
HALLEY 125 EH-SM	125	2009	→		FCD0739/1		FCS0739/3	
PAMPERA 125	125	1996	→	2001	FCD0561/1		FCS0561/3	
TT 125	125	1995	→		FCD0561/1		FCS0561/3	
EC 200	200	1999	→	2001	FCD0740/1		FCS0740/3	
EC 200 MX	200	2002	→	2010	FCD0740/1		FCS0740/3	
EC 200 SM	200	2002	→	2007	FCD0740/1		FCS0740/3	
EC 200 SYXDAYS	200	2010	→		FCD0740/1		FCS0740/3	
PAMPERA 200	200	1992	→	2001	FCD0561/1		FCS0561/3	
TX 200	200	1997	→	1999	FCD0561/1		FCS0561/3	
EC 250	250	2000	→	2001	FCD0740/1		FCS0740/3	

2008

FERODO
MOTORCYCLE CLUTCHES
Updated on 11th Oct 2013

FCDXXXX STANDARD FRICTION PLATES ONLY
FCDXXXX/1 HIGH PERFORMANCE FRICTION PLATES ONLY
FCSXXXX/2 STANDARD FRICTION PLATES + STEEL PLATES
FCSXXXX/3 HIGH PERFORMANCE FRICTION PLATES + STEEL PLATES



KIT RANGE



STANDARD HIGH PERFORMANCE



STANDARD HIGH PERFORMANCE

...GASGAS

Model	Capacity	Year	Kit	Standard	High Performance	Standard	High Performance
EC 250 4T	250	2010	→	FCD0251	FCD0251/1	FCS0251/2	FCS0251/3
EC 250 MX	250	2001	→ 2007		FCD0740/1		FCS0740/3
EC 250 SM	250	2002	→ 2007		FCD0740/1		FCS0740/3
EC 250 SYXDAYS	250	2010	→		FCD0740/1		FCS0740/3
PAMPERA 250	250	2000	→ 2001		FCD0561/1		FCS0561/3
PAMPERA 280	280	2000	→ 2001		FCD0561/1		FCS0561/3
TXT 280	280	1992	→ 1999		FCD0561/1		FCS0561/3
EC 300 MC	300	2002	→ 2010		FCD0740/1		FCS0740/3
EC 300 SM	300	2002	→ 2007		FCD0740/1		FCS0740/3
EC 300 SYXDAYS	300	2010	→		FCD0740/1		FCS0740/3
TXT 320	320	1992	→ 1999		FCD0561/1		FCS0561/3
FSE 400 EC 4T	400	2003	→ 2007		FCD0740/1		FCS0740/3
FSE 400 SM 4T	400	2002	→ 2007		FCD0740/1		FCS0740/3
FSE 450 EC	450	2003	→ 2007		FCD0740/1		FCS0740/3
FSR 450 EC	450	2008	→		FCD0740/1		FCS0740/3
FSR 450 SM	450	2008	→		FCD0740/1		FCS0740/3
PAMPERA 450	450	2007	→ 2008		FCD0740/1		FCS0740/3
FSR 510	510	2008	→		FCD0740/1		FCS0740/3
EC 515 4T	515	2009	→		FCD0740/1		FCS0740/3

GILERA

CBA 50	50		→	FCD0604			
CBA variatore 50	50	1986	→	FCD0579			
GSM 50 motore Morini 6M	50		→	FSS0513	FCD0509	FCD0509/1	FCS0509/2
R1 50	50	1990	→	FCD0664			
RC 50	50		→	FCD0664			
RC 50 TOP RALLY	50	1990	→	FSS0513	FCD0509	FCD0509/1	FCS0509/2
SUPERMOTARD 50	50	2001	→	FSS0513	FCD0509	FCD0509/1	FCS0509/2
TREND 50 massette avviamento	50	1989	→	FCD0604			
TREND 50 massette frizione	50	1989	→	FCD0535			
TREND variatore 50 massette avviamento	50	1989	→	FCD0579			
ARIZONA 125	125	1983	→	FCD0510		FCS0510/2	
CRONO 125	125	1991	→	FCD0510		FCS0510/2	
ER 125	125	1987	→	FCD0510		FCS0510/2	
KK 125 APTS	125	1987	→	FCD0510		FCS0510/2	
KZ 125 ENDURANCE	125	1988	→	FCD0510		FCS0510/2	
KZ 125	125	1986	→	FCD0510		FCS0510/2	
MX-1 125	125	1988	→ 1989	FCD0510		FCS0510/2	
MXR 125	125	1990	→	FCD0510		FCS0510/2	
RC 125 RALLY	125	1987	→ 1988	FCD0510		FCS0510/2	
RRT 125 NEBRASKA	125	1987	→	FCD0510		FCS0510/2	
RRT 125 NEBRASKA (ruote tubles)	125	1987	→	FCD0510		FCS0510/2	
RTX 125	125		→	FCD0510		FCS0510/2	
RV 125	125	1983	→	FCD0510		FCS0510/2	
RX 125	125	1984	→	FCD0510		FCS0510/2	
RX 125 ARIZONA HAWK	125	1986	→	FCD0510		FCS0510/2	
SP 01 125	125	1989	→	FCD0510		FCS0510/2	
SP 02 125	125	1990	→	FCD0510		FCS0510/2	
XR1 125	125	1988	→	FCD0510		FCS0510/2	
XR2 125	125	1989	→	FCD0510		FCS0510/2	
ER 200	200	1987	→	FCD0510		FCS0510/2	
FAST BIKE 200	200	1987	→	FCD0510		FCS0510/2	
RTX 200	200	1986	→	FCD0510		FCS0510/2	
RV 200	200	1985	→ 1986	FCD0510		FCS0510/2	
RV 200 ES	200	1987	→	FCD0510		FCS0510/2	
RX 200	200	1985	→	FCD0510		FCS0510/2	
RX 200 ARIZONA HAWK	200	1986	→	FCD0510		FCS0510/2	
NGR 250	250	1985	→	FCD0506			
RC 250 RALLY	250	1987	→	FCD0506			
RX 250 ARIZONA RALLY	250	1986	→	FCD0506			
DAKOTA 350	350	1986	→	FCD0623		FCS0623/2	
XRT 350	350	1988	→	FCD0623		FCS0623/2	
DAKOTA 500	500	1987	→	FCD0623		FCS0623/2	
ER 500	500	1987	→	FCD0623		FCS0623/2	
RC 600	600	1989	→ 1991	FCD0168	FCD0168/1		
RC 600 NORTHWEST	600	1990	→	FCD0168	FCD0168/1		
RC 600 R	600	1991	→	FCD0168	FCD0168/1		
RC 600 TOP RALLY	600	1990	→	FCD0168	FCD0168/1		
XRT 600	600	1988	→	FCD0168	FCD0168/1		

HONDA

C 50	50	1975	→ 1978	FSS0125	FCD0176		
C 50	50	1979	→ 1981	FSS0125	FCD0107		
C 50	50	1982	→ 2002		FCD0107		

FCDXXXX STANDARD
 FCDXXXX/1 HIGH PERFORMANCE
 FCSXXXX/2 STANDARD
 FCSXXXX/3 HIGH PERFORMANCE

FRICCIÓN PLATES ONLY
 FRICCIÓN PLATES ONLY
 FRICCIÓN PLATES + STEEL PLATES
 FRICCIÓN PLATES + STEEL PLATES

FERODO
 MOTORCYCLE CLUTCHES
 Updated on 11th Oct 2013

2009

HONDA



KIT RANGE



STANDARD HIGH PERFORMANCE



STANDARD HIGH PERFORMANCE

...HONDA

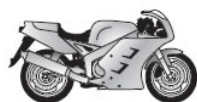
					STANDARD	HIGH PERFORMANCE	STANDARD	HIGH PERFORMANCE
CB 50 DREAM	50	1997 → 1998	FSS0547	FCD0109				
CB 50 J all models	50	1981 →	FSS0402	FCD0109				
CD 50 BENTLEY S	50	1996 → 1999		FCD0192				
CF 50	50	1977 → 1978	FSS0125	FCD0107				
CL 50 BENTLEY	50	1997 → 1999		FCD0192				
CR 50 R	50	1984 → 1985	FSS0402	FCD0110	FCD0110/1			
CRF 50	50	2004 → 2011		FCD0107				
CRM 50 R	50	1993 → 1996	FSS0402	FCD0109				
MB 50	50	1980 → 1982	FSS0402	FCD0109				
MBX 50 SD - SF	50	1983 → 1985	FSS0402	FCD0109				
MP 50 SOLO	50	2003 →		FCD0107				
MT 50	50	1980 → 1993	FSS0402	FCD0109				
MTX 50 S	50	1983 →	FSS0402	FCD0109				
NSR 50 F - S	50	1989 → 1995	FSS0402	FCD0109				
NSR 50 R	50	1997 → 2000	FSS0402	FCD0109				
NSR 50 V - X	50	1997 → 1999	FSS0402	FCD0110	FCD0110/1			
SS 50 ZB2	50	1977 → 1980		FCD0192				
SS 50 ZK2	50	1975 → 1977		FCD0192				
ST 50	50	1978 → 1993		FCD0107				
TLM 50 F	50	1985 →	FSS0115	FCD0109				
XR 50 MOTARD	50	2006 →	FSS0547	FCD0109				
XR 50 R	50	2001 → 2003		FCD0107				
XZ 50	50	2001 → 2002	FSS0547	FCD0109				
Z 50 all models	50	1979 → 1991	FSS0125	FCD0176				
CR 60 R	60	1985 → 1986	FSS0402	FCD0110	FCD0110/1			
C 70 all models	70	1975 → 1977		FCD0176				
C 70 all models	70	1978 → 1985	FSS0108	FCD0107				
CF 70 C	70	1977 → 1978	FSS0108	FCD0107				
CRF 70	70	2004 → 2012	FSS0108	FCD0107				
XR 70 R	70	1997 → 2003	FSS0108	FCD0107				
CRM 75 R	75	1989 → 1994	FSS0402	FCD0110	FCD0110/1			
NSR 75 NS-1	75	1992 → 2000	FSS0402	FCD0110	FCD0110/1			
XR 75	75	1975 → 1979	FSS0111	FCD0109				
CR 80 R	80	1980 → 1982	FSS0402	FCD0110	FCD0110/1			
CR 80 R	80	1983 →	FSS0406	FCD0110	FCD0110/1			
CR 80 R	80	1984 →	FSS0406	FCD0101	FCD0101/1	FCS0101/2	FCS0101/3	
CR 80 R	80	1985 → 2002	FSS0101	FCD0101	FCD0101/1	FCS0101/2	FCS0101/3	
CRF 80 F	80	2004 → 2012	FSS0547	FCD0109				
MBX 80 FWD	80	1983 → 1986	FSS0402	FCD0110	FCD0110/1			
MTX 80 all models	80	1983 → 1984	FSS0402	FCD0110	FCD0110/1			
NSR 80 R	80	1987 → 1999	FSS0402	FCD0110	FCD0110/1			
XR 80	80	1980 → 1984	FSS0111	FCD0109				
XR 80 R	80	1985 → 1988	FSS0102	FCD0109				
CR 85	85	2003 → 2007	FSS0101	FCD0101	FCD0101/1	FCS0101/2	FCS0101/3	
C 90	90	1975 → 1981		FCD0113				
C 90	90	1982 → 2003		FCD0107				
CB 100 N	100	1978 → 1980	FSS0525	FCD0101	FCD0101/1	FCS0101/2	FCS0101/3	
CRF 100 F	100	2004 → 2011	FSS0531	FCD0110	FCD0110/1			
H 100	100	1984 → 1992	FSS0402	FCD0110	FCD0110/1			
SUPRA 100	100	1997 → 1999		FCD0110	FCD0110/1			
XL 100 all models	100	1978 → 1980	FSS0547	FCD0110	FCD0110/1			
XL 100 all models	100	1981 → 1982	FSS0111	FCD0110	FCD0110/1			
XR 100 MOTARD	100	2006 →		FCD0110	FCD0110/1			
XR 100 R	100	1993 → 2003	FSS0531	FCD0110	FCD0110/1			
XZ 100	100	2002 →		FCD0110	FCD0110/1			
CT 110	110	1980 → 2009		FCD0113				
ANF 125 INNOVA	125	2003 → 2011		FCD0189				
CA 125 REBEL	125	1995 → 1997	FSS0552	FCD0171	FCD0171/1			
CA 125 REBEL	125	1998 →	FSS0552	FCD0101	FCD0101/1	FCS0101/2	FCS0101/3	
CB 125 J	125	1979 →	FSS0117	FCD0101	FCD0101/1	FCS0101/2	FCS0101/3	
CB 125 K1 - K5	125	1972 → 1976	FSS0117	FCD0101	FCD0101/1	FCS0101/2	FCS0101/3	
CB 125 K6 - S2	125	1976 → 1977	FSS0117	FCD0101	FCD0101/1	FCS0101/2	FCS0101/3	
CB 125 RS	125	1983 →	FSS0117	FCD0101	FCD0101/1	FCS0101/2	FCS0101/3	
CB 125 T	125	1978 →	FSS0117	FCD0101	FCD0101/1	FCS0101/2	FCS0101/3	
CB 125 T2 - TA - TB	125	1979 →	FSS0117	FCD0101	FCD0101/1	FCS0101/2	FCS0101/3	
CB 125 TDJ	125	1987 → 1989	FSS0552	FCD0171	FCD0171/1			
CBF 125	125	2009 → 2012	FSS0472	FCD0101	FCD0101/1	FCS0101/2	FCS0101/3	
CBR 125 R	125	2004 → 2012		FCD0171	FCD0171/1			
CD 125	125	1978 →	FSS0552	FCD0101	FCD0101/1	FCS0101/2	FCS0101/3	
CG 125	125	1985 → 2000	FSS0117	FCD0101	FCD0101/1	FCS0101/2	FCS0101/3	
CG 125	125	2001 → 2008	FSS0117	FCD0171	FCD0171/1			
CG 125 all models	125	1977 → 1984	FSS0117	FCD0101	FCD0101/1	FCS0101/2	FCS0101/3	
CLR 125 CITY FLY	125	1998 → 2003	FSS0473	FCD0101	FCD0101/1	FCS0101/2	FCS0101/3	
CM 125	125	1982 → 1985	FSS0103	FCD0101	FCD0101/1	FCS0101/2	FCS0101/3	
CR 125 M2 - 3 - 4	125	1976 → 1978	FSS0308	FCD0178				
CR 125 R	125	1979 → 1980	FSS0115	FCD0161				

HONDA

20010

FERODO
MOTORCYCLE CLUTCHES
Updated on 11th Oct 2013

FCDXXXX HIGH PERFORMANCE FRICTION PLATES ONLY
FCSXXXX/1 STANDARD FRICTION PLATES ONLY
FCSXXXX/2 STANDARD FRICTION PLATES + STEEL PLATES
FCSXXXX/3 HIGH PERFORMANCE FRICTION PLATES + STEEL PLATES



KIT RANGE



STANDARD

HIGH PERFORMANCE



STANDARD

HIGH PERFORMANCE

...HONDA

					STANDARD	HIGH PERFORMANCE	STANDARD	HIGH PERFORMANCE
CR 125 R	125	1981	→	FSS0115	FCD0127	FCD0127/1		
CR 125 R	125	1982	→	FSS0115	FCD0157	FCD0157/1		
CR 125 R	125	1983	→ 1984	FSS0532	FCD0126	FCD0126/1	FCS0126/2	FCS0126/3
CR 125 R	125	1985	→	FSS0532	FCD0132	FCD0132/1	FCS0132/2	FCS0132/3
CR 125 R	125	1986	→ 1994	FSS0532	FCD0136	FCD0136/1	FCS0136/2	FCS0136/3
CR 125 R - E	125	1995	→ 1999	FSS0532	FCD0136	FCD0136/1	FCS0136/2	FCS0136/3
CR 125 R - E	125	2000	→ 2004	FSS0123	FCD0151	FCD0151/1	FCS0151/2	FCS0151/3
CR 125 SUPERMOTARD	125	2000	→ 2001	FSS0123	FCD0151	FCD0151/1	FCS0151/2	FCS0151/3
CRM 125	125	1990	→ 1999	FSS0525	FCD0115			
CT 125	125	1985	→	FSS0117	FCD0101	FCD0101/1	FCS0101/2	FCS0101/3
LS 125 R	125	2000	→		FCD0171	FCD0171/1		
MBX 125	125	1984	→ 1986	FSS0103	FCD0124	FCD0124/1		
MTX 125 R	125	1983	→ 1995	FSS0525	FCD0124	FCD0124/1		
NS 125 F all models	125	1986	→ 1987	FSS0466	FCD0111		FCS0111/2	
NSR 125	125	1988	→	FSS0525	FCD0115			
NSR 125 R - F	125	1989	→ 2001	FSS0525	FCD0115			
NX 125 TRANSCITY	125	1989	→ 1997	FSS0473	FCD0101	FCD0101/1	FCS0101/2	FCS0101/3
TL 125	125	1976	→	FSS0525	FCD0101	FCD0101/1	FCS0101/2	FCS0101/3
VT 125 C SHADOW	125	1999	→ 2008	FSS0542	FCD0155	FCD0155/1		
XL 125	125	1978	→ 1979	FSS0525	FCD0101	FCD0101/1	FCS0101/2	FCS0101/3
XL 125	125	1980	→ 1982	FSS0115	FCD0101	FCD0101/1	FCS0101/2	FCS0101/3
XL 125 R	125	1984	→ 1986	FSS0103	FCD0101	FCD0101/1	FCS0101/2	FCS0101/3
XLR 125 R	125	1998	→ 2001	FSS0472	FCD0101	FCD0101/1	FCS0101/2	FCS0101/3
XLV 125 VARADERO	125	2001	→ 2011	FSS0542	FCD0155	FCD0155/1		
XR 125 L	125	2003	→ 2008	FSS0117	FCD0101	FCD0101/1	FCS0101/2	FCS0101/3
CBR R 150	150	2000	→ 2003		FCD0171	FCD0171/1		
CRF 150 F	150	2003	→ 2005	FSS0123	FCD0195			
CRF 150 F	150	2006	→ 2007	FSS0527	FCD0101	FCD0101/1	FCS0101/2	FCS0101/3
CRF 150 R	150	2007	→ 2012	FSS0446	FCD0127	FCD0127/1		
CB 175 all models	175	1974	→ 1976	FSS0102	FCD0153	FCD0153/1		
CD 175 all models	175	1971	→ 1978	FSS0102	FCD0153	FCD0153/1		
CD 185 T	185	1978	→	FSS0103	FCD0101	FCD0101/1	FCS0101/2	FCS0101/3
XL 185	185	1980	→ 1981	FSS0117	FCD0101	FCD0101/1	FCS0101/2	FCS0101/3
XL 185	185	1982	→	FSS0551	FCD0101	FCD0101/1	FCS0101/2	FCS0101/3
CB 200 B - T	200	1976	→ 1978	FSS0102	FCD0153	FCD0153/1		
CD 200 T	200	1979	→ 1980	FSS0112	FCD0101	FCD0101/1	FCS0101/2	FCS0101/3
CM 200 TA - TB	200	1979	→ 1980	FSS0112	FCD0101	FCD0101/1	FCS0101/2	FCS0101/3
CTX 200 A BUSHLANDER	200	2004	→ 2005	FSS0425	FCD0101	FCD0101/1	FCS0101/2	FCS0101/3
MTX 200 RW	200	1985	→ 1986	FSS0426	FCD0124	FCD0124/1		
MTX 200 RWD	200	1983	→ 1984	FSS0525	FCD0162	FCD0162/1		
TA 200 SHADOW	200	2002	→ 2005		FCD0171	FCD0171/1		
TL 200	200	1976	→ 1978	FSS0525	FCD0101	FCD0101/1	FCS0101/2	FCS0101/3
TLR 200	200	1983	→ 1987	FSS0103	FCD0101	FCD0101/1	FCS0101/2	FCS0101/3
XR 200 R	200	1980	→ 1984		FCD0101	FCD0101/1	FCS0101/2	FCS0101/3
XR 200 R	200	1984	→ 1985	FSS0426	FCD0124	FCD0124/1		
XR 200 R	200	1986	→ 2002	FSS0425	FCD0101	FCD0101/1	FCS0101/2	FCS0101/3
FTR 223 Y2/A2 (MCS4)	223	2000	→ 2002		FCD0171	FCD0171/1		
CRF 230 EASY	230	2004	→ 2009	FSS0112	FCD0195			
CRF 230 EASY (rear disc)	230	2008	→ 2010	FSS0103	FCD0171	FCD0171/1		
CRF 230 M SUPERMOTO	230	2009	→ 2010	FSS0103	FCD0171	FCD0171/1		
SL 230	230	1997	→ 2001		FCD0171	FCD0171/1		
XL 230 (MC36)	230	2002	→		FCD0171	FCD0171/1		
AX 1 250	250	1989	→ 1994	FSS0538	FCD0126	FCD0126/1	FCS0126/2	FCS0126/3
CB 250	250	1973	→ 1975	FSS0525	FCD0168	FCD0168/1		
CB 250	250	1978	→ 1982	FSS0301	FCD0102			
CB 250 FT HORNET	250	1996	→ 2001	FSS0456	FCD0183	FCD0183/1		
CB 250 RSA - RSD - RSE	250	1981	→	FSS0103	FCD0111		FCS0111/2	
CB 250 TWO FIFTY	250	1993	→ 2005	FSS0112	FCD0127	FCD0127/1		
CBF 250	250	2004	→ 2006	FSS0474	FCD0126	FCD0126/1	FCS0126/2	FCS0126/3
CBR 250 R	250	2011	→ 2012	FSS0494	FCD0193			
CBR 250 R - RR	250	1988	→ 1994	FSS0456	FCD0183	FCD0183/1		
CBR 250 R ABS	250	2011	→ 2012	FSS0494	FCD0193			
CBR 250 R HURRICANE	250	1986	→ 1987	FSS0456	FCD0183	FCD0183/1		
CBX 250 RSE	250	1984	→	FSS0403	FCD0162	FCD0162/1		
CD 250	250	1988	→ 1992	FSS0112	FCD0127	FCD0127/1		
CJ 250 I	250	1977	→	FSS0115	FCD0168	FCD0168/1		
CL 250 SC	250	1981	→	FSS0103	FCD0111		FCS0111/2	
CM 250 TB	250	1981	→		FCD0102			
CMX 250 C REBEL	250	1996	→ 2000	FSS0112	FCD0127	FCD0127/1		
CR 250 R	250	1978	→ 1980	FSS0115	FCD0117			
CR 250 R	250	1981	→ 1982	FSS0117	FCD0152	FCD0152/1		
CR 250 R	250	1983	→ 1989	FSS0113	FCD0120	FCD0120/1	FCS0120/2	FCS0120/3
CR 250 R	250	1990	→ 1993	FSS0113	FCD0142	FCD0142/1	FCS0142/2	FCS0142/3
CR 250 R	250	1994	→	FSS0306	FCD0142	FCD0142/1	FCS0142/2	FCS0142/3
CR 250 R - E	250	1995	→ 2010	FSS0306	FCD0142	FCD0142/1	FCS0142/2	FCS0142/3
CR 250 SUPERMOTARD	250	1998	→ 2002	FSS0306	FCD0142	FCD0142/1	FCS0142/2	FCS0142/3

FCDXXXX STANDARD FRICTION PLATES ONLY
 FCDXXXX/1 HIGH PERFORMANCE FRICTION PLATES ONLY
 FCSXXXX/2 STANDARD FRICTION PLATES + STEEL PLATES
 FCSXXXX/3 HIGH PERFORMANCE FRICTION PLATES + STEEL PLATES

FERODO
 MOTORCYCLE CLUTCHES
 Updated on 11th Oct 2013

2011

HONDA



KIT RANGE



STANDARD

HIGH PERFORMANCE



STANDARD

HIGH PERFORMANCE

...HONDA

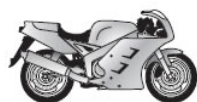
					STANDARD	HIGH PERFORMANCE	STANDARD	HIGH PERFORMANCE
CRE 250 IE	250	2007 → 2008	FSS0123	FCD0675	FCD0675/1	FCS0675/2	FCS0675/3	
CRF 250 R - F - E	250	2004 → 2007	FSS0123	FCD0151	FCD0151/1	FCS0151/2	FCS0151/3	
CRF 250 R - F - E	250	2008 → 2009	FSS0123	FCD0675	FCD0675/1	FCS0675/2	FCS0675/3	
CRF 250 R - F - E	250	2010 →	FSS0533	FCD0151	FCD0151/1	FCS0151/2	FCS0151/3	
CRF 250 R - F - E	250	2011 → 2012	FSS0533	FCD0675	FCD0675/1	FCS0675/2	FCS0675/3	
CRF 250 X	250	2004 → 2012	FSS0123	FCD0675	FCD0675/1	FCS0675/2	FCS0675/3	
CRM 250 ACTIVE RADIAL	250	1997 → 1998		FCD0125	FCD0125/1			
CRM 250 R	250	1989 → 1993	FSS0537	FCD0129	FCD0129/1			
CRM 250 R	250	1994 → 1996	FSS0113	FCD0125	FCD0125/1			
CRM 250 X SUPERMOTARD	250	2007 →	FSS0123	FCD0675	FCD0675/1	FCS0675/2	FCS0675/3	
GB 250 CUSTOM	250	1984 → 1997	FSS0403	FCD0162	FCD0162/1			
NS 250	250	1984 →	FSS0109	FCD0135	FCD0135/1			
NSR 250	250	1986 →	FSS0112	FCD0125	FCD0125/1			
NSR 250 R	250	1986 → 1987	FSS0112	FCD0125	FCD0125/1			
NSR 250 R - SP	250	1988 → 1993	FSS0112	FCD0125	FCD0125/1			
NSR 250 R SE-SP	250	1994 →	FSS0112	FCD0125	FCD0125/1			
NX 250 DOMINATOR	250	1987 → 1993	FSS0551	FCD0126	FCD0126/1	FCS0126/2	FCS0126/3	
TL 250	250	1978 → 1979	FSS0525	FCD0152	FCD0152/1			
TLR 250	250	1985 →	FSS0425	FCD0101	FCD0101/1	FCS0101/2	FCS0101/3	
VT 250 CR MAGNA	250	1994 →	FSS0478	FCD0183	FCD0183/1			
VT 250 F	250	1982 → 1987	FSS0406	FCD0127	FCD0127/1			
VT 250 F INTEGRA	250	1987 →	FSS0478	FCD0183	FCD0183/1			
VT 250 SPADA	250	1988 → 1990	FSS0478	FCD0183	FCD0183/1			
VTR 250	250	1998 → 2007	FSS0478	FCD0183	FCD0183/1			
VTR 250	250	2009 → 2010	FSS0525	FCD0183	FCD0183/1			
VTZ 250	250	1986 → 1988	FSS0478	FCD0183	FCD0183/1			
XL 250	250	1978 → 1979	FSS0525	FCD0152	FCD0152/1			
XL 250 DEGREE	250	1991 →	FSS0103	FCD0126	FCD0126/1	FCS0126/2	FCS0126/3	
XL 250 R	250	1981 → 1983	FSS0103	FCD0111		FCS0111/2		
XL 250 R	250	1984 → 1985	FSS0426	FCD0124	FCD0124/1			
XL 250 S	250	1978 → 1980	FSS0103	FCD0191				
XL 250 S	250	1981 → 1982	FSS0103	FCD0111		FCS0111/2		
XLR 250 R BAJA	250	1988 → 1990	FSS0426	FCD0124	FCD0124/1			
XLR 250 R BAJA	250	1991 →	FSS0525	FCD0126	FCD0126/1	FCS0126/2	FCS0126/3	
XR 250	250	2000 → 2003	FSS0551	FCD0126	FCD0126/1	FCS0126/2	FCS0126/3	
XR 250 BAJA	250	2000 → 2003	FSS0551	FCD0126	FCD0126/1	FCS0126/2	FCS0126/3	
XR 250 MOTARD	250	2003 → 2005	FSS0551	FCD0126	FCD0126/1	FCS0126/2	FCS0126/3	
XR 250 R	250	1981 → 1983	FSS0103	FCD0111		FCS0111/2		
XR 250 R	250	1984 → 1985	FSS0426	FCD0124	FCD0124/1			
XR 250 R	250	1986 → 1995	FSS0101	FCD0126	FCD0126/1	FCS0126/2	FCS0126/3	
XR 250 R	250	1996 → 2004	FSS0413	FCD0126	FCD0126/1	FCS0126/2	FCS0126/3	
XR 250 S	250	1979 → 1980	FSS0103	FCD0191				
CRE 290 IE	290	2007 → 2008	FSS0123	FCD0675	FCD0675/1	FCS0675/2	FCS0675/3	
CRF 300 X	300	2008 → 2012	FSS0123	FCD0675	FCD0675/1	FCS0675/2	FCS0675/3	
CB 350 K4	350	→	FSS0402	FCD0168	FCD0168/1			
CB 350 SG	350	1986 → 1988	FSS0106	FCD0102				
XR 350 R	350	1983 → 1984	FSS0101	FCD0126	FCD0126/1	FCS0126/2	FCS0126/3	
CB 400 F - F1 - F2	400	1975 → 1979	FSS0127	FCD0102				
CB 400 FOUR	400	1997 → 1998		FCD0138				
CB 400 N - NA - NB	400	1978 → 1982	FSS0119	FCD0102				
CB 400 SS	400	2002 →	FSS0306	FCD0125	FCD0125/1			
CB 400 SUPER FOUR	400	1992 → 1997	FSS0301	FCD0138				
CB 400 SUPER FOUR BOL DOR	400	1999 → 2005		FCD0146				
CB-1 400 F	400	1989 → 1990	FSS0301	FCD0138				
CBR 400 R HURRICANE	400	1986 →		FCD0138				
CBR 400 RR (GULL ARM NC29)	400	1990 → 1994	FSS0542	FCD0125	FCD0125/1			
CBR 400 RR (TRI ARM NC23)	400	1987 → 1989	FSS0301	FCD0138				
NS 400 R	400	1985 → 1987	FSS0473	FCD0135	FCD0135/1			
NTV 400 BROS	400	1988 →	FSS0113	FCD0115				
NV 400 C STEED	400	1992 → 1997	FSS0113	FCD0115				
NV 400 D SHADOW SLASHER	400	2000 → 2002	FSS0113	FCD0115				
RVF 400	400	1994 → 1996		FCD0186	FCD0186/1			
VF 400 FD	400	1983 → 1985	FSS0103	FCD0167	FCD0167/1			
VFR 400 R	400	1985 → 1986	FSS0301	FCD0123	FCD0123/1			
VFR 400 R	400	1987 → 1988	FSS0103	FCD0123	FCD0123/1			
VFR 400 R (NC 30)	400	1989 → 1992	FSS0498	FCD0181	FCD0181/1			
VRX 400 T (NC33)	400	1996 →	FSS0542	FCD0115				
XR 400 R	400	1996 →	FSS0537	FCD0129	FCD0129/1			
XR 400 R	400	1997 → 2005	FSS0541	FCD0129	FCD0129/1			
XR 400 SUPERMOTARD	400	2005 → 2008	FSS0306	FCD0125	FCD0125/1			
XR 440 R (DALL'ARA)	440	1999 →	FSS0541	FCD0129	FCD0129/1			
CB 450 DX	450	1989 →	FSS0119	FCD0102				
CR 450 R	450	1981 →	FSS0117	FCD0152	FCD0152/1			
CRF 450 R - F - E	450	2009 → 2010	FSS0464	FCD0142	FCD0142/1	FCS0142/2	FCS0142/3	
CRF 450 R - F - E	450	2002 → 2003	FSS0306	FCD0142	FCD0142/1	FCS0142/2	FCS0142/3	
CRF 450 R - F - E	450	2004 → 2005	FSS0437	FCD0142	FCD0142/1	FCS0142/2	FCS0142/3	

20012

FERODO

MOTORCYCLE CLUTCHES
Updated on 11th Oct 2013

FCDXXXX STANDARD FRICTION PLATES ONLY
FCDXXXX/1 HIGH PERFORMANCE FRICTION PLATES ONLY
FCSXXXX/2 STANDARD FRICTION PLATES + STEEL PLATES
FCSXXXX/3 HIGH PERFORMANCE FRICTION PLATES + STEEL PLATES



KIT RANGE



STANDARD

HIGH PERFORMANCE



STANDARD

HIGH PERFORMANCE

...HONDA

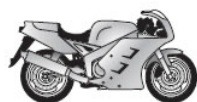
					STANDARD	HIGH PERFORMANCE	STANDARD	HIGH PERFORMANCE
CRF 450 R - F - E	450	2006 → 2008	FSS0306	FCD0142	FCD0142/1	FCS0142/2	FCS0142/3	
CRF 450 R - F - E	450	2011 → 2012	FSS0480	FCD1107	FCD1107/1	FCS1107/2	FCS1107/3	
CRF 450 X	450	2005 → 2012	FSS0437	FCD0142	FCD0142/1	FCS0142/2	FCS0142/3	
CR 480 R	480	1982 →	FSS0112	FCD0152	FCD0152/1			
CR 480 R	480	1983 →	FSS0113	FCD0120	FCD0120/1	FCS0120/2	FCS0120/3	
CB 500	500	1994 → 2003	FSS0542	FCD0125	FCD0125/1			
CB 500 K1 - K2	500	1975 → 1977	FSS0402	FCD0154				
CB 500 T	500	1975 → 1977	FSS0106	FCD0166	FCD0166/1			
CBF 500	500	2004 → 2007	FSS0542	FCD0125	FCD0125/1			
CBF 500 ABS	500	2004 → 2007	FSS0542	FCD0125	FCD0125/1			
CBR 500 F	500	1987 → 1990	FSS0105	FCD0138				
CR 500 R	500	1984 → 1989	FSS0113	FCD0120	FCD0120/1	FCS0120/2	FCS0120/3	
CR 500 R	500	1990 → 2002	FSS0113	FCD0142	FCD0142/1	FCS0142/2	FCS0142/3	
CX 500	500	1979 → 1985	FSS0117	FCD0105	FCD0105/1			
CX 500 T (TURBO)	500	1983 →	FSS0404	FCD0114				
FT 500 C	500	1982 →	FSS0106	FCD0112				
GL 500 DC	500	1982 →	FSS0117	FCD0105	FCD0105/1			
NX 500 DOMINATOR	500	1988 → 1999	FSS0107	FCD0120	FCD0120/1	FCS0120/2	FCS0120/3	
VF 500 F	500	1984 → 1985	FSS0103	FCD0123	FCD0123/1			
VT 500 ED - EF - C	500	1983 → 1985		FCD0115				
XBR 500	500	1985 → 1989		FCD0159	FCD0159/1			
XL 500 R - RC	500	1982 →	FSS0106	FCD0102				
XL 500 R PARIS DAKAR	500	1983 →	FSS0106	FCD0102				
XL 500 SA - SB	500	1981 →	FSS0106	FCD0102				
XL 500 SZ	500	1980 →	FSS0106	FCD0102				
XR 500 R	500	1981 → 1983	FSS0106	FCD0112				
XR 500 R	500	1984 → 1985	FSS0106	FCD0120	FCD0120/1	FCS0120/2	FCS0120/3	
XR 500 S	500	1979 → 1980	FSS0106	FCD0112				
CB 550	550	1978 → 1980	FSS0103	FCD0105	FCD0105/1			
CBX 550 F	550	1982 → 1985	FSS0304	FCD0138				
CB 600 F HORNET	600	1998 → 2006	FSS0309	FCD0133	FCD0133/1			
CB 600 F HORNET	600	2007 → 2012	FSS0128	FCD0135	FCD0135/1			
CB 600 F HORNET ABS	600	2007 → 2012	FSS0128	FCD0135	FCD0135/1			
CBF 600	600	2004 → 2007	FSS0309	FCD0133	FCD0133/1			
CBF 600	600	2008 → 2011	FSS0128	FCD0135	FCD0135/1			
CBF 600 ABS	600	2008 → 2011	FSS0128	FCD0135	FCD0135/1			
CBR 600 F	600	1987 → 1988	FSS0105	FCD0138				
CBR 600 F	600	1989 → 1990	FSS0119	FCD0138				
CBR 600 F	600	1991 → 1998	FSS0309	FCD0133	FCD0133/1			
CBR 600 F	600	1999 → 2000	FSS0114	FCD0129	FCD0129/1			
CBR 600 F	600	2003 → 2007	FSS0309	FCD0135	FCD0135/1			
CBR 600 F	600	2011 → 2012	FSS0309	FCD0135	FCD0135/1			
CBR 600 F ABS	600	2011 → 2012	FSS0309	FCD0135	FCD0135/1			
CBR 600 F SPORT	600	2001 → 2002	FSS0309	FCD0135	FCD0135/1			
CBR 600 RR	600	2003 → 2012	FSS0128	FCD0135	FCD0135/1			
CBR 600 RR ABS	600	2009 → 2012	FSS0128	FCD0135	FCD0135/1			
NTV 600 BROSS	600	1988 → 1991	FSS0306	FCD0140				
NTV 600 REVERE	600	1988 → 1991	FSS0306	FCD0140				
VT 600 C SHADOW	600	1992 → 1993	FSS0542	FCD0125	FCD0125/1			
VT 600 C-CD SHADOW VLX	600	1994 → 2000	FSS0542	FCD0125	FCD0125/1			
XL 600 L	600	1985 → 1987	FSS0107	FCD0120	FCD0120/1	FCS0120/2	FCS0120/3	
XL 600 R	600	1983 → 1987	FSS0106	FCD0120	FCD0120/1	FCS0120/2	FCS0120/3	
XL 600 V TRANSALP	600	1987 → 1999	FSS0116	FCD0125	FCD0125/1			
XR 600 L - R	600	1993 → 2000	FSS0107	FCD0120	FCD0120/1	FCS0120/2	FCS0120/3	
XR 600 R	600	1985 → 1992	FSS0107	FCD0120	FCD0120/1	FCS0120/2	FCS0120/3	
CB 650 A - Z	650	1979 → 1981	FSS0552	FCD0106	FCD0106/1			
CB 650 SCC NIGHTHAWK	650	1982 →	FSS0552	FCD0106	FCD0106/1			
CX 650 ED	650	1983 → 1985	FSS0105	FCD0106	FCD0106/1			
CX 650 TD (TURBO) E	650	1983 →	FSS0404	FCD0114				
FMX 650	650	2005 → 2008	FSS0107	FCD0120	FCD0120/1	FCS0120/2	FCS0120/3	
FX 650 VIGOR	650	1999 → 2003	FSS0107	FCD0120	FCD0120/1	FCS0120/2	FCS0120/3	
GL 650	650	1984 →	FSS0105	FCD0106	FCD0106/1			
NTV 650 BROS	650	1988 → 1992	FSS0113	FCD0140				
NTV 650 DEAUVILLE	650	1998 → 2005	FSS0542	FCD0140				
NTV 650 REVERE	650	1993 → 1997	FSS0542	FCD0140				
NX 650 DOMINATOR	650	1988 → 2002	FSS0107	FCD0120	FCD0120/1	FCS0120/2	FCS0120/3	
SLR 650	650	1997 → 1998	FSS0107	FCD0120	FCD0120/1	FCS0120/2	FCS0120/3	
XL 650 V TRANSALP	650	2000 → 2007	FSS0113	FCD0140				
XR 650 L	650	1993 → 2012	FSS0107	FCD0120	FCD0120/1	FCS0120/2	FCS0120/3	
XR 650 R	650	2000 → 2007	FSS0309	FCD0188				
XRV 650 AFRICA TWIN	650	1988 → 1990	FSS0113	FCD0140				
NT 700 V DEAUVILLE	700	2006 → 2012	FSS0542	FCD0140				
NT 700 V VARADERO - ABS	700	2010 →	FSS0542	FCD0140				
NT 700 VA DEAUVILLE ABS	700	2007 → 2012	FSS0542	FCD0140				
XL 700 V TRANSALP	700	2008 → 2011	FSS0103	FCD0140				
XL 700 V TRANSALP ABS	700	2008 → 2011	FSS0103	FCD0140				

FCDXXXX STANDARD FRICTION PLATES ONLY
 FCDXXXX/1 HIGH PERFORMANCE FRICTION PLATES ONLY
 FCSXXXX/2 STANDARD FRICTION PLATES + STEEL PLATES
 FCSXXXX/3 HIGH PERFORMANCE FRICTION PLATES + STEEL PLATES

FERODO
 MOTORCYCLE CLUTCHES
 Updated on 11th Oct 2013

2013

HONDA



KIT RANGE



STANDARD

HIGH PERFORMANCE



STANDARD

HIGH PERFORMANCE

...HONDA

					STANDARD	HIGH PERFORMANCE	STANDARD	HIGH PERFORMANCE
CB 750	750	1969 → 1970	FSS0103	FCD0170	FCD0170/1			
CB 750	750	1971 → 1975	FSS0525	FCD0179				
CB 750	750	1978 →	FSS0127	FCD0104				
CB 750	750	1980 →	FSS0117	FCD0108				
CB 750 F	750	1976 → 1977	FSS0127	FCD0180				
CB 750 F	750	1979 → 1982	FSS0117	FCD0108				
CB 750 N SEVEN FIFTY	750	1992 → 2002	FSS0301	FCD0146				
CBR 750 SUPER AERO	750	1987 → 1988	FSS0305	FCD0174				
CBX 750 FE	750	1983 → 1985		FCD0118	FCD0118/1			
RVF 750 RR (RC 45)	750	1994 → 1998		FCD0144	FCD0144/1			
VF 750 C	750	1993 → 1999	FSS0113	FCD0133	FCD0133/1			
VF 750 C SHADOW	750	1983 →	FSS0552	FCD0118	FCD0118/1			
VF 750 CH	750	1987 →	FSS0552	FCD0118	FCD0118/1			
VF 750 SABRE	750	1982 →	FSS0552	FCD0118	FCD0118/1			
VFR 750 C V45 MAGNA	750	1988 →	FSS0113	FCD0133	FCD0133/1			
VFR 750 F	750	1990 → 1997	FSS0113	FCD0133	FCD0133/1			
VFR 750 F INTERCEPTOR	750	1986 → 1989	FSS0113	FCD0133	FCD0133/1			
VFR 750 R (RC-30)	750	1988 → 1993	FSS0495	FCD0139	FCD0139/1			
VT 750 BLACK WINDOW	750	2001 → 2004	FSS0113	FCD0140				
VT 750 C SHADOW	750	1983 → 1985		FCD0118	FCD0118/1			
VT 750 C SHADOW	750	1997 → 2012	FSS0113	FCD0140				
VT 750 SHADOW BLACK SPIRIT	750	2010 → 2012		FCD0140				
VT 750 SHADOW SPIRIT	750	2007 → 2009	FSS0113	FCD0140				
XLV 750 R	750	1983 → 1988	FSS0552	FCD0118	FCD0118/1			
XRV 750 R AFRICA TWIN	750	1990 → 2003	FSS0301	FCD0119	FCD0119/1			
PC 800 PACIFIC COAST	800	1989 → 1997	FSS0407	FCD0119	FCD0119/1			
VFR 800	800	2006 → 2009	FSS0114	FCD0135	FCD0135/1			
VFR 800 ABS	800	2006 → 2011	FSS0114	FCD0135	FCD0135/1			
VFR 800 FI	800	1998 → 1999	FSS0114	FCD0133	FCD0133/1			
VFR 800 FI	800	2000 → 2002	FSS0114	FCD0175	FCD0175/1			
VFR 800 V-TECH	800	2002 → 2005	FSS0114	FCD0135	FCD0135/1			
CB 900 F	900	1979 → 1985	FSS0552	FCD0108				
CB 900 HORNET	900	2002 → 2007	FSS0309	FCD0135	FCD0135/1			
CBR 900 RR FIREBLADE (918 cc)	900	1995 →	FSS0113	FCD0133	FCD0133/1			
CBR 900 RR FIREBLADE (918 cc)	900	1996 → 1997	FSS0309	FCD0147				
CBR 900 RR-FIREBLADE (893 cc)	900	1992 → 1994	FSS0113	FCD0133	FCD0133/1			
CBR 900 RR-FIREBLADE (918 cc)	900	1998 → 1999	FSS0309	FCD0135	FCD0135/1			
CBR 900 RR-FIREBLADE (929 cc)	900	2000 → 2001	FSS0309	FCD0133	FCD0133/1			
CBR 900 RR-FIREBLADE (954 cc)	900	2002 → 2003	FSS0309	FCD0133	FCD0133/1			
CB 1000 F	1000	1993 → 1997	FSS0114	FCD0143	FCD0143/1			
CB 1000 R	1000	2008 → 2012	FSS0430	FCD1103		FCS1103/2		
CB 1000 R ABS	1000	2008 → 2012	FSS0430	FCD1103		FCS1103/2		
CBF 1000	1000	2006 → 2011	FSS0124	FCD1104				
CBF 1000 ABS	1000	2006 → 2010	FSS0124	FCD1104				
CBF 1000 F	1000	2010 → 2011	FSS0124	FCD1104				
CBF 1000 F ABS	1000	2010 → 2012	FSS0124	FCD1104				
CBR 1000 F	1000	1987 → 1992	FSS0114	FCD0143	FCD0143/1			
CBR 1000 F-FP	1000	1993 → 1999	FSS0114	FCD0143	FCD0143/1			
CBR 1000 RR	1000	2006 → 2007	FSS0430	FCD1103		FCS1103/2		
CBR 1000 RR FIREBLADE	1000	2004 → 2005	FSS0430	FCD1103		FCS1103/2		
CBR 1000 RR FIREBLADE	1000	2008 → 2012	FSS0499	FCD1105		FCS1105/2		
CBR 1000 RR FIREBLADE ABS	1000	2009 → 2012	FSS0499	FCD1105		FCS1105/2		
CBX 1000	1000	1977 → 1980	FSS0552	FCD0165				
CBX 1000 B - C	1000	1981 →	FSS0404	FCD0165				
GL 1000 K GOLDWING	1000	1975 → 1977	FSS0404	FCD0160				
GL 1000 K GOLDWING	1000	1978 →	FSS0404	FCD0103				
VF 1000 F	1000	1984 → 1986		FCD0122	FCD0122/1			
VF 1000 R	1000	1984 → 1986		FCD0122	FCD0122/1			
VTR 1000 F FIRESTORM	1000	1997 → 2006	FSS0126	FCD0190	FCD0190/1			
VTR 1000 SP	1000	2000 → 2001	FSS0118	FCD0150				
VTR 1000 SP	1000	2002 → 2007	FSS0118	FCD1101				
XL 1000 V VARADERO	1000	1999 → 2002	FSS0126	FCD0190	FCD0190/1			
XLV 1000 VARADERO	1000	2003 → 2009	FSS0448	FCD0144	FCD0144/1			
XLV 1000 VARADERO ABS	1000	2004 → 2009	FSS0448	FCD0144	FCD0144/1			
CB 1100 R	1100	1980 → 1981	FSS0103	FCD0108				
CB 1100 R	1100	1982 → 1983	FSS0207	FCD0108				
CB 1100 SF X ELEVEN (X11)	1100	2000 → 2003	FSS0118	FCD0150				
CBR 1100 XX BLACKBIRD	1100	1997 → 1998	FSS0121	FCD0149				
CBR 1100 XX SUPERBLACKBIRD	1100	1999 → 2008	FSS0118	FCD0150				
GL 1100	1100	1980 → 1981	FSS0404	FCD0114				
ST 1100 PAN EUROPEAN	1100	1989 → 2002	FSS0542	FCD0145	FCD0145/1			
ST 1100 PAN EUROPEAN ABS	1100	1992 → 2002	FSS0542	FCD0145	FCD0145/1			
VT 1100 C SHADOW	1100	1987 → 1998		FCD0196				
VT 1100 C2	1100	1995 → 2005		FCD0122	FCD0122/1			
VT 1100 C3	1100	1998 → 2000		FCD0122	FCD0122/1			
GL 1200	1200	1984 → 1985		FCD0134				

20014

FERODO

MOTORCYCLE CLUTCHES
Updated on 11th Oct 2013

FCDXXXX STANDARD
 FCDXXXX/1 HIGH PERFORMANCE
 FCSXXXX/2 STANDARD
 FCSXXXX/3 HIGH PERFORMANCE

FRICITION PLATES ONLY
 FRICITION PLATES ONLY
 FRICITION PLATES + STEEL PLATES
 FRICITION PLATES + STEEL PLATES



KIT RANGE



STANDARD HIGH PERFORMANCE



STANDARD HIGH PERFORMANCE

...HONDA

Model	Year	Year	Year	Code	STANDARD	HIGH PERFORMANCE	STANDARD	HIGH PERFORMANCE
GL 1200	1200	1986	→ 1987		FCD0137			
VFR 1200 F	1200	2010	→ 2011	FSS0522	FCD1106			
CB 1300 F	1300	1998	→ 2000		FCD0199			
CB 1300 F SUPER FOUR	1300	2003	→ 2004	FSS0431	FCD0144	FCD0144/1		
CB 1300 F1	1300	2001	→		FCD0199			
CB 1300 SUPER BOL DOR	1300	2005	→ 2008	FSS0431	FCD0144	FCD0144/1		
CB 1300 SUPERFOUR	1300	2005	→ 2009	FSS0431	FCD0144	FCD0144/1		
CB 1300 X4	1300	1997	→ 2000	FSS0121	FCD0190	FCD0190/1		
ST 1300 PAN EUROPEAN	1300	2002	→ 2012	FSS0481	FCD0197			
VT 1300 FURY	1300	2010	→ 2012	FSS0124	FCD0198			
VT 1300 FURY ABS	1300	2010	→ 2011	FSS0124	FCD0198			
VTX 1300	1300	2003	→ 2008	FSS0124	FCD0198			
GL 1500 F6C VALKYRIE	1500	1997	→ 2003		FCD0184			
GL 1500 GOLDWING	1500	1988	→ 2000		FCD0184			
GL 1800 GOLDWING	1800	2001	→ 2012		FCD0197			
VTX 1800	1800	2002	→ 2008	FSS0124	FCD0198			

HONDA ATV

Model	Year	Year	Year	Code	STANDARD	HIGH PERFORMANCE	STANDARD	HIGH PERFORMANCE
ATC 70 all models	70	1978	→ 1985	FSS0108	FCD0107			
TRX 90	90	1993	→ 2011		FCD0110	FCD0110/1		
ATC 110 all models	110	1979	→ 1984	FSS0108	FCD0113			
ATC 125 M	125	1984	→ 1985	FSS0110	FCD0113			
ATC 125 M	125	1986	→	FSS0547	FCD0110	FCD0110/1		
TRX 125 J	125	1988	→	FSS0547	FCD0110	FCD0110/1		
ATC 185	185	1980	→ 1983	FSS0111	FCD0110	FCD0110/1		
TRX 200 FOURTRAX	200	1986	→ 1997	FSS0478	FCD0101	FCD0101/1	FCS0101/2	FCS0101/3
ATC 250 ESF/ESG/ESH/ESJ	250	1985	→ 1988	FSS0525	FCD0130			
ATC 250 R	250	1981	→ 1984	FSS0115	FCD0117			
ATC 250 R	250	1985	→ 1986	FSS0106	FCD0129	FCD0129/1		
TRX 250	250	1986	→ 1989	FSS0525	FCD0130			
TRX 250 EX SPORTRAX	250	2001	→ 2008	FSS0478	FCD0101	FCD0101/1	FCS0101/2	FCS0101/3
TRX 250 FOURTRAX	250	1985	→ 1987	FSS0525	FCD0130			
TRX 250 R FOURTRAX	250	1986	→ 1989	FSS0540	FCD0129	FCD0129/1		
TRX 250 RECON	250	1997	→ 2012	FSS0478	FCD0101	FCD0101/1	FCS0101/2	FCS0101/3
TRX 250 X	250	1986	→ 1989	FSS0540	FCD0129	FCD0129/1		
TRX 250 X FOURTRAX	250	1987	→ 1992		FCD0129	FCD0129/1		
TRX 250 X9	250	2009	→ 2011	FSS0478	FCD0101	FCD0101/1	FCS0101/2	FCS0101/3
TRX 300 EX FOURTRAX	300	1993	→ 2008	FSS0101	FCD0126	FCD0126/1	FCS0126/2	FCS0126/3
TRX 300 FW FOURTRAX (4WD)	300	1988	→ 2000	FSS0531	FCD0131	FCD0131/1	FCS0131/2	FCS0131/3
TRX 300 XP	300	2009	→	FSS0101	FCD0126	FCD0126/1	FCS0126/2	FCS0126/3
TRX 350	350	1986	→ 1993	FSS0105	FCD0131	FCD0131/1	FCS0131/2	FCS0131/3
TRX 350 FOURTRAX RANCHER 4x4 FEY	350	2000	→ 2005	FSS0120	FCD0115			
TRX 350 FOURTRAX RANCHER 4x4 FMY	350	2000	→ 2005	FSS0120	FCD0131	FCD0131/1	FCS0131/2	FCS0131/3
FL 400 R PILOT	400	1989	→ 1993		FCD0182			
TRX 400 EX	400	1999	→ 2008	FSS0122	FCD0129	FCD0129/1		
TRX 400 FW	400	1995	→ 2000	FSS0531	FCD0131	FCD0131/1	FCS0131/2	FCS0131/3
TRX 400 X9	400	2009	→	FSS0122	FCD0129	FCD0129/1		
TRX 420 FOURTRAX 4WD - Power Steering FP	420	2009	→ 2011	FSS0461	FCD0112			
TRX 420 FOURTRAX FE ES 4WD	420	2007	→ 2010	FSS0462	FCD0131	FCD0131/1	FCS0131/2	FCS0131/3
TRX 420 FOURTRAX TE ES 2WD	420	2007	→ 2009	FSS0462	FCD0131	FCD0131/1	FCS0131/2	FCS0131/3
TRX 420 FOURTRAX TM	420	2007	→ 2011	FSS0461	FCD0112			
TRX 450 ES FOURTRAXFOREMAN/S	450	1998	→ 2001	FSS0531	FCD0131	FCD0131/1	FCS0131/2	FCS0131/3
TRX 450 R - ER	450	2004	→ 2009	FSS0306	FCD0194		FCS0194/2	
TRX 500 FEC FOURTRAX 2WD-4WD	500	2012	→	FSS0435	FCD0112			
TRX 500 FMC FOURTRAX 2WD-4WD	500	2012	→	FSS0435	FCD0112			
TRX 500 Fourtrax Foreman 4WD FE ES	500	2005	→ 2011	FSS0435	FCD0112			
TRX 500 Fourtrax Foreman 4x4 FM	500	2005	→ 2011	FSS0460	FCD0112			
TRX 700 XX	700	2008	→ 2012	FSS0306	FCD1102		FCS1102/2	

HUSABERG

350 4T	350	2012	→			FCD0731/1		FCS0731/3
--------	-----	------	---	--	--	-----------	--	-----------

HUSQVARNA

CR 125	125	1994	→ 2001		FCD0538	FCD0538/1	FCS0538/2	FCS0538/3
SMT 125	125	2000	→		FCD0538	FCD0538/1	FCS0538/2	FCS0538/3
WR 125	125	1994	→ 2001		FCD0538	FCD0538/1	FCS0538/2	FCS0538/3
WRE 125	125	2000	→		FCD0538	FCD0538/1	FCS0538/2	FCS0538/3
CR 250	250	1994	→ 1999		FCD0599	FCD0599/1	FCS0599/2	FCS0599/3
CR 250	250	2000	→		FCD0633	FCD0633/1	FCS0633/2	FCS0633/3
TC 250 R	250	2012	→		FCD0538	FCD0538/1	FCS0538/2	FCS0538/3
WR 250	250	1994	→ 1999		FCD0599	FCD0599/1	FCS0599/2	FCS0599/3
WR 250	250	2000	→		FCD0633	FCD0633/1	FCS0633/2	FCS0633/3

FCDXXXX HIGH PERFORMANCE
 FCDXXXX/1 HIGH PERFORMANCE
 FCSXXXX/2 STANDARD
 FCSXXXX/3 HIGH PERFORMANCE

FRICTION PLATES ONLY
 FRICTION PLATES ONLY
 FRICTION PLATES + STEEL PLATES
 FRICTION PLATES + STEEL PLATES

FERODO
 MOTORCYCLE CLUTCHES
 Updated on 11th Oct 2013

2015

HUSQVARNA



KIT RANGE



STANDARD

HIGH PERFORMANCE



STANDARD

HIGH PERFORMANCE

...HUSQVARNA

Model	Year	Year Range	Code	Standard	High Performance	Standard	High Performance
CR 360	360	1994 → 1999	FCD0599	FCD0599/1	FCS0599/2	FCS0599/3	
CR 360	360	2000 →	FCD0633	FCD0633/1	FCS0633/2	FCS0633/3	
WR 360	360	1994 → 1999	FCD0599	FCD0599/1	FCS0599/2	FCS0599/3	
WR 360	360	2000 →	FCD0633	FCD0633/1	FCS0633/2	FCS0633/3	
TE 410	410	→ 2000	FCD0633	FCD0633/1	FCS0633/2	FCS0633/3	
TE 410	410	2001 →		FCD0558/1		FCS0558/3	
TE 570	570	2001 →		FCD0558/1		FCS0558/3	
TC 610	610	2000 →	FCD0633	FCD0633/1	FCS0633/2	FCS0633/3	

HYOSUNG

Model	Year	Year Range	Code	Standard	High Performance	Standard	High Performance
AQUILA GV 125	125	2005 →	FCD0684	FCD0684/1	FCS0684/2	FCS0684/3	
AQUILA GV 125 C & CN EURO 3	125	2008 → 2009	FCD0684	FCD0684/1	FCS0684/2	FCS0684/3	
AQUILA GV 125 EURO 3	125	2007 → 2008	FCD0684	FCD0684/1	FCS0684/2	FCS0684/3	
COMET GT 125	125	2004 → 2006	FCD0684	FCD0684/1	FCS0684/2	FCS0684/3	
COMET GT 125 AT EURO 3	125	2007 → 2008	FCD0684	FCD0684/1	FCS0684/2	FCS0684/3	
COMET GT 125 R EURO 2	125	2006 →	FCD0684	FCD0684/1	FCS0684/2	FCS0684/3	
COMET GT 125 R EURO 3	125	2007 →	FCD0684	FCD0684/1	FCS0684/2	FCS0684/3	
CRUISE GA 125 F	125	2005 →	FCD0684	FCD0684/1	FCS0684/2	FCS0684/3	
GF 125 F	125	2005 →	FCD0684	FCD0684/1	FCS0684/2	FCS0684/3	
KARION RT 125	125	2004 → 2006	FCD0684	FCD0684/1	FCS0684/2	FCS0684/3	
KARION RT 125 D EURO 3	125	2007 → 2009	FCD0684	FCD0684/1	FCS0684/2	FCS0684/3	
RX 125 EURO 3	125	2007 → 2008	FCD0684	FCD0684/1	FCS0684/2	FCS0684/3	
RX 125 SM	125	2007 → 2008	FCD0684	FCD0684/1	FCS0684/2	FCS0684/3	
XR 125 OFFROAD	125	1999 → 2006	FCD0684	FCD0684/1	FCS0684/2	FCS0684/3	
GT 250 COMET	250	2004 → 2005		FCD0742/1			
GT 250 COMET FI EURO 3	250	2007 → 2008		FCD0742/1			
GT 250 COMET R	250	2007 →		FCD0742/1			
GT 250 COMET R FI EURO 3	250	2007 → 2008		FCD0742/1			
GV 250 AQUILA	250	2004 → 2007		FCD0742/1			
GV 250 AQUILA FI & EI EURO 3	250	2008 → 2009		FCD0742/1			
TE 450 RAPIER	450	2007 → 2008		FCD0685/1			
GT 650 COMET	650	2004 → 2006		FCD0685/1			
GT 650 COMET R - S	650	2005 → 2006		FCD0685/1			
GT 650 FI	650	2007 → 2008		FCD0685/1			
GT 650 R TTC	650	2007 → 2008		FCD0685/1			
GT 650 RFI	650	2007 → 2008		FCD0685/1			
GV 650 AQUILA	650	2005 → 2007		FCD0685/1			
GV 650 AQUILA FI - FI LE	650	2007 → 2010		FCD0685/1			
ST7 700	700	2010 →		FCD0685/1			

INNOCENTI

Model	Year	Year Range	Code	Standard	High Performance	Standard	High Performance
LAMBRETTA 125 DL	125	→	FCD0545		FCS0545/2		
LAMBRETTA 125 LI	125	→	FCD0545		FCS0545/2		
LAMBRETTA J 125	125	→	FCD0545		FCS0545/2		
LAMBRETTA 150 DL	150	→	FCD0545		FCS0545/2		
LAMBRETTA 150 LI	150	→	FCD0545		FCS0545/2		
LAMBRETTA 175	175	→	FCD0545		FCS0545/2		
LAMBRETTA 175 LI	175	→	FCD0545		FCS0545/2		
LAMBRETTA 175 TV II	175	→	FCD0545		FCS0545/2		
LAMBRETTA 200 DL	200	→	FCD0545		FCS0545/2		

KAWASAKI

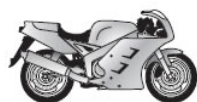
Model	Year	Year Range	Code	Standard	High Performance	Standard	High Performance
AE 50	50	1981 → 1984	FSS0108	FCD0436			
AR 50	50	1981 → 1997	FSS0108	FCD0436			
KDX 50	50	2003 → 2006		FCD0319			
KSR 50 (KMX50)	50	1990 → 1991	FSS0125	FCD0436			
KX 60	60	1983 → 2003	FSS0108	FCD0411		FCS0411/2	
KX 65	65	2000 → 2011	FSS0410	FCD0411		FCS0411/2	
AE 80	80	1981 → 1983	FSS0108	FCD0413			
AR 80	80	1981 → 1991	FSS0108	FCD0413			
KSR II 80 (KMX 80)	80	1990 → 1991	FSS0125	FCD0413			
KX 80	80	1983 → 1984	FSS0410	FCD0411		FCS0411/2	
KX 80	80	1985 → 1987	FSS0543	FCD0419		FCS0419/2	
KX 80	80	1988 →	FSS0544	FCD0445	FCD0445/1	FCS0445/2	
KX 80	80	1989 → 1997	FSS0544	FCD0423	FCD0423/1	FCS0423/2	
KX 80	80	1998 → 2000	FSS0545	FCD0415	FCD0415/1	FCS0415/2	
KX 85	85	2001 → 2012	FSS0545	FCD0415	FCD0415/1	FCS0415/2	
KC 100	100	1980 → 1983	FSS0405	FCD0413			
KE 100	100	1979 → 1981	FSS0405	FCD0413			
KE 100	100	1982 → 1998	FSS0410	FCD0413			
KH 100	100	1978 → 1987	FSS0405	FCD0413			
KM 100	100	1978 → 1981	FSS0405	FCD0413			

20016

FERODO

MOTORCYCLE CLUTCHES
Updated on 11th Oct 2013

FCDXXXX STANDARD FRICTION PLATES ONLY
 FCDXXXX/1 HIGH PERFORMANCE FRICTION PLATES ONLY
 FCSXXXX/2 STANDARD FRICTION PLATES + STEEL PLATES
 FCSXXXX/3 HIGH PERFORMANCE FRICTION PLATES + STEEL PLATES



...KAWASAKI

				KIT RANGE				
				STANDARD		HIGH PERFORMANCE		
				STANDARD		HIGH PERFORMANCE		
KX 100	100	1988	→	FSS0544	FCD0445	FCD0445/1	FCS0445/2	FCS0445/3
KX 100	100	1989	→ 1997	FSS0544	FCD0423	FCD0423/1	FCS0423/2	FCS0423/3
KX 100	100	1998	→ 2000	FSS0545	FCD0415	FCD0415/1	FCS0415/2	FCS0415/3
KLX 110	110	2002	→ 2012	FSS0410	FCD0411		FCS0411/2	
AR 125	125	1982	→ 1994	FSS0117	FCD0415	FCD0415/1		FCS0415/3
BN 125	125	1998	→ 1999	FSS0117	FCD0442	FCD0442/1		
BN 125 ELIMINATOR	125	2000	→ 2007	FSS0117	FCD0442	FCD0442/1		
KDX 125	125	1990	→ 1994	FSS0401	FCD0438	FCD0438/1		
KE 125	125	1980	→ 1985	FSS0401	FCD0437			
KH 125	125	1977	→ 1981	FSS0401	FCD0437			
KH 125	125	1982	→ 1998	FSS0410	FCD0411		FCS0411/2	
KH 125	125	1982	→	FSS0410	FCD0413			
KH 125	125	1983	→	FSS0410	FCD0411		FCS0411/2	
KLX 125	125	2010	→ 2012	FSS0451	FCD0465		FCS0465/2	
KLX 125 A1/A2/A3/A6F	125	2003	→ 2006	FSS0307	FCD0301	FCD0301/1		
KLX 125 D-TRACKER	125	2010	→ 2012	FSS0451	FCD0465		FCS0465/2	
KLX 125 L (B1/B2/B3/B6F)	125	2003	→ 2006	FSS0307	FCD0301	FCD0301/1		
KMX 125	125	1986	→ 1987	FSS0115	FCD0415	FCD0415/1	FCS0415/2	FCS0415/3
KMX 125	125	1988	→ 2003	FSS0115	FCD0447	FCD0447/1		
KX 125	125	1982	→	FSS0401	FCD0410			
KX 125	125	1983	→	FSS0308	FCD0444			
KX 125	125	1984	→	FSS0401	FCD0444			
KX 125	125	1985	→ 1987	FSS0401	FCD0420	FCD0420/1	FCS0420/2	FCS0420/3
KX 125	125	1988	→ 1989	FSS0526	FCD0424	FCD0424/1		
KX 125	125	1990	→ 1992	FSS0434	FCD0425	FCD0425/1	FCS0425/2	FCS0425/3
KX 125	125	1993	→	FSS0554	FCD0448	FCD0448/1	FCS0448/2	FCS0448/3
KX 125	125	1994	→ 1996	FSS0403	FCD0406	FCD0406/1	FCS0406/2	FCS0406/3
KX 125	125	1997	→ 2002	FSS0413	FCD0406	FCD0406/1	FCS0406/2	FCS0406/3
KX 125	125	2003	→ 2008	FSS0417	FCD0406	FCD0406/1	FCS0406/2	FCS0406/3
KDX 175	175	1980	→ 1982	FSS0401	FCD0410			
KE 175	175	1979	→ 1983	FSS0205	FCD0437			
KDX 200	200	1983	→ 1984	FSS0308	FCD0444			
KDX 200	200	1986	→ 1988	FSS0401	FCD0420	FCD0420/1	FCS0420/2	FCS0420/3
KDX 200	200	1986	→	FSS0401	FCD0444			
KDX 200	200	1989	→ 1994	FSS0404	FCD0424	FCD0424/1		
KDX 200	200	1995	→ 1999	FSS0538	FCD0429			
KMX 200	200	1988	→ 1992	FSS0103	FCD0447	FCD0447/1		
Z 200	200	1977	→	FSS0456	FCD0414	FCD0414/1		
Z 200	200	1978	→ 1983	FSS0456	FCD0406	FCD0406/1	FCS0406/2	FCS0406/3
KDX 220	220	1995	→ 1999	FSS0538	FCD0429			
BJ 250 ESTRELLA	250	1996	→ 2002	FSS0525	FCD0441	FCD0441/1		
BJ 250 ESTRELLA CUSTOM	250	1996	→ 2002	FSS0525	FCD0441	FCD0441/1		
BJ 250 F1/F2	250	2002	→ 2003	FSS0403	FCD0441	FCD0441/1		
EL 250	250	1990	→ 2003	FSS0525	FCD0421	FCD0421/1		
EL 250 ELIMINATOR	250	1987	→ 1989	FSS0525	FCD0421	FCD0421/1		
ER 250 (Z 250 T SCORPION)	250	1983	→ 1988	FSS0403	FCD0407			
EX 250 R NINJA	250	2008	→ 2012	FSS0451	FCD0464			
GPX 250 R	250	1988	→ 1995	FSS0525	FCD0421	FCD0421/1		
GPX 250 R (EX E)	250	1986	→	FSS0525	FCD0421	FCD0421/1		
GPX 250 R II (EX G)	250	1988	→	FSS0525	FCD0421	FCD0421/1		
GPX 250 R NINJA	250	1987	→	FSS0525	FCD0421	FCD0421/1		
KDX 250	250	1981	→	FSS0301	FCD0412			
KDX 250	250	1982	→ 1983	FSS0301	FCD0407			
KDX 250	250	1991	→ 1993	FSS0407	FCD0422	FCD0422/1	FCS0422/2	FCS0422/3
KH 250	250	1979	→ 1980	FSS0401	FCD0410			
KL 250	250	1978	→ 1984	FSS0403	FCD0406	FCD0406/1	FCS0406/2	FCS0406/3
KL 250 SUPER SHERPA	250	1997	→	FSS0415	FCD0420	FCD0420/1	FCS0420/2	FCS0420/3
KLE 250 ANHELO	250	1995	→ 2001	FSS0403	FCD0421	FCD0421/1		
KLF 250 BAYOU	250	2003	→ 2011	FSS0554	FCD0124	FCD0124/1		
KLR 250 all models	250	1984	→ 2005	FSS0456	FCD0414	FCD0414/1		
KLX 250	250	1993	→ 1997	FSS0401	FCD0420	FCD0420/1	FCS0420/2	FCS0420/3
KLX 250 S	250	2006	→ 2007	FSS0452	FCD0420	FCD0420/1	FCS0420/2	FCS0420/3
KLX 250 SF	250	2009	→ 2012	FSS0452	FCD0420	FCD0420/1	FCS0420/2	FCS0420/3
KLX 250 TRACKER	250	1998	→ 2003	FSS0401	FCD0420	FCD0420/1	FCS0420/2	FCS0420/3
KR 250	250	1984	→ 1986	FSS0404	FCD0460			
KR-1 250 (KR 250 B2)	250	1989	→	FSS0404	FCD0433	FCD0433/1		
KR-1 250 (KR 250 C2/C3)	250	1990	→ 1992	FSS0404	FCD0433	FCD0433/1		
KX 250	250	1974	→ 1979	FSS0403	FCD0403			
KX 250	250	1980	→ 1981	FSS0403	FCD0412			
KX 250	250	1982	→ 1984	FSS0404	FCD0451			
KX 250	250	1985	→ 1986	FSS0404	FCD0417		FCS0417/2	
KX 250	250	1987	→ 1989	FSS0403	FCD0422	FCD0422/1	FCS0422/2	FCS0422/3
KX 250	250	1990	→	FSS0301	FCD0422	FCD0422/1	FCS0422/2	FCS0422/3
KX 250	250	1991	→	FSS0407	FCD0422	FCD0422/1	FCS0422/2	FCS0422/3
KX 250	250	1992	→ 2008	FSS0528	FCD0409	FCD0409/1	FCS0409/2	FCS0409/3
KX F 250	250	2004	→ 2012	FSS0417	FCD0378	FCD0378/1	FCS0378/2	FCS0378/3

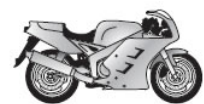
FCDXXXX HIGH PERFORMANCE
 FCDXXXX/1 HIGH PERFORMANCE
 FCSXXXX/2 STANDARD
 FCSXXXX/3 HIGH PERFORMANCE

FRICION PLATES ONLY
 FRICION PLATES ONLY
 FRICION PLATES + STEEL PLATES
 FRICION PLATES + STEEL PLATES

FERODO
 MOTORCYCLE CLUTCHES
 Updated on 11th Oct 2013

20017

KAWASAKI



...KAWASAKI

KAWASAKI

					KIT RANGE			
					STANDARD		HIGH PERFORMANCE	
					STANDARD		HIGH PERFORMANCE	
Z 250	250	1978 → 1981	FSS0301	FCD0407				
Z 250 B1 - B2	250	1980 → 1983	FSS0301	FCD0407				
Z 250 C1 - C2	250	1981 →	FSS0403	FCD0406	FCD0406/1	FCS0406/2	FCS0406/3	
ZR 250 BALIUS	250	1991 → 1995	FSS0403	FCD0441	FCD0441/1			
ZR 250 BALIUS II	250	2002 →	FSS0403	FCD0441	FCD0441/1			
ZXR 250	250	1989 → 1995	FSS0403	FCD0441	FCD0441/1			
ZXR 250 R	250	1989 → 1990	FSS0403	FCD0432	FCD0432/1			
ZXR 250 R	250	1991 →	FSS0403	FCD0441	FCD0441/1			
ZZR 250	250	1990 → 2003	FSS0525	FCD0421	FCD0421/1			
KLX 300	300	1997 →	FSS0401	FCD0420	FCD0420/1	FCS0420/2	FCS0420/3	
KLX 300	300	1998 → 2006	FSS0452	FCD0420	FCD0420/1	FCS0420/2	FCS0420/3	
GPZ 305 all models	305	1983 → 1996	FSS0404	FCD0407				
FX 400 R (ZX 400)	400	1986 → 1988	FSS0406	FCD0405	FCD0405/1	FCS0405/2	FCS0405/3	
GPZ 400 R (ZX 400)	400	1985 → 1988	FSS0406	FCD0405	FCD0405/1	FCS0405/2	FCS0405/3	
KH 400 A3-5	400	1976 → 1978	FSS0401	FCD0444				
KLX 400 R	400	2003 → 2004	FSS0318	FCD0363	FCD0363/1	FCS0363/2	FCS0363/3	
Z 400 B1 - B2	400	1978 → 1980	FSS0404	FCD0404	FCD0404/1			
Z 400 G1	400	1979 →	FSS0404	FCD0404	FCD0404/1			
Z 400 J1 LTD	400	1980 →	FSS0404	FCD0405	FCD0405/1	FCS0405/2	FCS0405/3	
Z 400 J2 - J3	400	1981 → 1983	FSS0404	FCD0405	FCD0405/1	FCS0405/2	FCS0405/3	
ZL 400	400	1994 → 1995	FSS0456	FCD0405	FCD0405/1	FCS0405/2	FCS0405/3	
ZL 400 ELIMINATOR	400	1986 → 1988	FSS0403	FCD0405	FCD0405/1	FCS0405/2	FCS0405/3	
ZR 400	400	1983 → 1984	FSS0404	FCD0405	FCD0405/1	FCS0405/2	FCS0405/3	
ZR 400 XANTUS	400	1992 → 1995	FSS0403	FCD0414	FCD0414/1			
ZR 400 ZEPHYR	400	1997 → 2001	FSS0404	FCD0405	FCD0405/1	FCS0405/2	FCS0405/3	
ZRX 400	400	1994 → 2001		FCD0405	FCD0405/1	FCS0405/2	FCS0405/3	
ZX 400 C2	400	1985 →	FSS0404	FCD0405	FCD0405/1	FCS0405/2	FCS0405/3	
ZXR 400	400	1989 → 1990	FSS0403	FCD0414	FCD0414/1			
ZXR 400 (ZX 400L) RR	400	1992 → 2002	FSS0301	FCD0414	FCD0414/1			
ZXR 400 R	400	1991 → 1994	FSS0301	FCD0414	FCD0414/1			
ZZR 400	400	1990 → 1992	FSS0403	FCD0405	FCD0405/1	FCS0405/2	FCS0405/3	
ZZR 400	400	1993 → 1999	FSS0118	FCD0405	FCD0405/1	FCS0405/2	FCS0405/3	
KX 420 A1 - A2	420	1980 → 1981	FSS0301	FCD0412				
Z 440	440	1979 → 1983	FSS0525	FCD0404	FCD0404/1			
Z 440 LTD	440	1982 → 1984	FSS0525	FCD0404	FCD0404/1			
EN 450 LTD (454)	450	1986 → 1989	FSS0404	FCD0405	FCD0405/1	FCS0405/2	FCS0405/3	
KLX 450 R	450	2008 → 2012	FSS0483	FCD0142	FCD0142/1	FCS0142/2	FCS0142/3	
KXF 450	450	2006 → 2011	FSS0483	FCD0142	FCD0142/1	FCS0142/2	FCS0142/3	
KXF 450	450	2012 → 2013	FSS0114	FCD0142	FCD0142/1	FCS0142/2	FCS0142/3	
EN 500 all models	500	1990 → 2004	FSS0404	FCD0405	FCD0405/1	FCS0405/2	FCS0405/3	
ER-5 500 TWISTER	500	1997 → 2007	FSS0404	FCD0405	FCD0405/1	FCS0405/2	FCS0405/3	
EX 500	500	1994 → 1996	FSS0404	FCD0405	FCD0405/1	FCS0405/2	FCS0405/3	
EX 500 all models	500	1987 → 1993	FSS0404	FCD0405	FCD0405/1	FCS0405/2	FCS0405/3	
EX 500 NINJA	500	1994 → 1997	FSS0404	FCD0405	FCD0405/1	FCS0405/2	FCS0405/3	
GPZ 500 S	500	1988 → 2004	FSS0404	FCD0405	FCD0405/1	FCS0405/2	FCS0405/3	
H1 500	500	1973 → 1975	FSS0403	FCD0406	FCD0406/1	FCS0406/2	FCS0406/3	
H1 500 Mach 111	500	1969 → 1972	FSS0403	FCD0406	FCD0406/1	FCS0406/2	FCS0406/3	
KH 500	500	1976 →	FSS0403	FCD0406	FCD0406/1	FCS0406/2	FCS0406/3	
KLE 500	500	1991 → 2007	FSS0529	FCD0405	FCD0405/1	FCS0405/2	FCS0405/3	
KX 500	500	1983 → 1984	FSS0404	FCD0407				
KX 500	500	1985 → 1986	FSS0529	FCD0417		FCS0417/2		
KX 500	500	1987 → 2004	FSS0404	FCD0422	FCD0422/1	FCS0422/2	FCS0422/3	
Z 500	500	1979 → 1980	FSS0404	FCD0405	FCD0405/1	FCS0405/2	FCS0405/3	
GPZ 550	550	1981 → 1987	FSS0404	FCD0405	FCD0405/1	FCS0405/2	FCS0405/3	
GT 550	550	1983 → 2001	FSS0404	FCD0405	FCD0405/1	FCS0405/2	FCS0405/3	
Z 550 A3 - C1 - C2 LTD	550	1980 →	FSS0404	FCD0405	FCD0405/1	FCS0405/2	FCS0405/3	
ZR 550 A1	550	1983 → 1984	FSS0404	FCD0405	FCD0405/1	FCS0405/2	FCS0405/3	
ZR 550 ZEPHYR	550	1990 → 1999	FSS0404	FCD0405	FCD0405/1	FCS0405/2	FCS0405/3	
GPX 600 R	600	1988 → 1996	FSS0404	FCD0405	FCD0405/1	FCS0405/2	FCS0405/3	
GPZ 600 R	600	1985 → 1989	FSS0404	FCD0405	FCD0405/1	FCS0405/2	FCS0405/3	
KLX 600	600	1984 → 1986	FSS0404	FCD0405	FCD0405/1	FCS0405/2	FCS0405/3	
KLX 600 ELECTRIC STARTER	600	1985 → 1994	FSS0404	FCD0405	FCD0405/1	FCS0405/2	FCS0405/3	
ZL 600 ELIMINATOR	600	1995 → 1997	FSS0406	FCD0405	FCD0405/1	FCS0405/2	FCS0405/3	
ZX 6 RR 600 NINJA	600	2003 →	FSS0418	FCD0428	FCD0428/1			
ZX 6 RR 600 NINJA	600	2004 →	FSS0418	FCD0455		FCS0455/2		
ZX 6 RR 600 NINJA	600	2005 → 2006	FSS0435	FCD0458				
ZX 6R 600 NINJA	600	1994 → 2001	FSS0411	FCD0428	FCD0428/1			
ZX 6R 600 NINJA	600	2007 → 2012	FSS0471	FCD0457		FCS0457/2		
ZZR 600	600	1990 → 1992	FSS0404	FCD0405	FCD0405/1	FCS0405/2	FCS0405/3	
ZZR 600	600	1993 → 2005	FSS0118	FCD0405	FCD0405/1	FCS0405/2	FCS0405/3	
ZZR 600 (ZX E6F)	600	2006 → 2007	FSS0118	FCD0405	FCD0405/1	FCS0405/2	FCS0405/3	
ZX 6R 636 NINJA	636	2002 → 2004	FSS0411	FCD0428	FCD0428/1			
ZX 6R 636 NINJA	636	2005 → 2006	FSS0435	FCD0456		FCS0456/2		
ER - 6F 650	650	2006 → 2012	FSS0404	FCD0405	FCD0405/1	FCS0405/2	FCS0405/3	
ER - 6F 650 ABS	650	2006 → 2012	FSS0404	FCD0405	FCD0405/1	FCS0405/2	FCS0405/3	
ER - 6N 650	650	2006 → 2012	FSS0404	FCD0405	FCD0405/1	FCS0405/2	FCS0405/3	

20018



MOTORCYCLE CLUTCHES
Updated on 11th Oct 2013

FCDXXXX STANDARD FRICTION PLATES ONLY
FCDXXXX/1 HIGH PERFORMANCE FRICTION PLATES ONLY
FCSXXXX/2 STANDARD FRICTION PLATES + STEEL PLATES
FCSXXXX/3 HIGH PERFORMANCE FRICTION PLATES + STEEL PLATES



...KAWASAKI



KIT RANGE

STANDARD	HIGH PERFORMANCE	STANDARD	HIGH PERFORMANCE
----------	------------------	----------	------------------

Model	Year	Year	Year	FSS	FCD	FCD	FCS	FCS
ER- 6N 650 ABS	650	2006	→ 2012	FSS0404	FCD0405	FCD0405/1	FCS0405/2	FCS0405/3
KL 650 TENGAI	650	1989	→ 1992	FSS0528	FCD0405	FCD0405/1	FCS0405/2	FCS0405/3
KLE 650 VERSYS	650	2007	→ 2012	FSS0404	FCD0405	FCD0405/1	FCS0405/2	FCS0405/3
KLE 650 VERSYS ABS	650	2007	→ 2012	FSS0404	FCD0405	FCD0405/1	FCS0405/2	FCS0405/3
KLR 650	650	1987	→ 1994	FSS0528	FCD0405	FCD0405/1	FCS0405/2	FCS0405/3
KLR 650	650	1995	→ 2004	FSS0539	FCD0409	FCD0409/1	FCS0409/2	FCS0409/3
KLR 650	650	2008	→ 2009	FSS0529	FCD0409	FCD0409/1	FCS0409/2	FCS0409/3
KLX 650 R	650	1993	→ 1997	FSS0528	FCD0405	FCD0405/1	FCS0405/2	FCS0405/3
W 650 (EJ 650)	650	1999	→ 2006	FSS0404	FCD0409	FCD0409/1	FCS0409/2	FCS0409/3
Z 650	650	1977	→ 1979	FSS0403	FCD0402			
Z 650	650	1981	→ 1983	FSS0404	FCD0402			
Z 650 C CUSTOM	650	1977	→ 1980	FSS0404	FCD0402			
Z 650 F1	650	1980	→	FSS0404	FCD0402			
VN 700 VULCAN	700	1985	→	FSS0403	FCD0409	FCD0409/1	FCS0409/2	FCS0409/3
Z 700 A1 LTD	700	1984	→	FSS0403	FCD0402			
ZN 700 A1/A2 LTD	700	1984	→ 1985	FSS0403	FCD0402			
GPX 750	750	1987	→ 1989	FSS0403	FCD0409	FCD0409/1	FCS0409/2	FCS0409/3
GPZ 750	750	1983	→ 1987	FSS0404	FCD0402			
GPZ 750 R	750	1982	→	FSS0404	FCD0402			
GPZ 750 R	750	1985	→ 1986	FSS0404	FCD0409	FCD0409/1	FCS0409/2	FCS0409/3
GT 750	750	1982	→ 1990	FSS0403	FCD0402			
GT 750	750	1992	→ 1996	FSS0406	FCD0427			
VN 750 TWIN	750	1988	→	FSS0403	FCD0409	FCD0409/1	FCS0409/2	FCS0409/3
VN 750 VULCAN	750	1986	→ 1994	FSS0403	FCD0409	FCD0409/1	FCS0409/2	FCS0409/3
Z 750	750	1976	→	FSS0403	FCD0409	FCD0409/1	FCS0409/2	FCS0409/3
Z 750	750	1977	→ 1978	FSS0404	FCD0409	FCD0409/1	FCS0409/2	FCS0409/3
Z 750	750	1980	→ 1984	FSS0403	FCD0402			
Z 750	750	2007	→ 2011	FSS0411	FCD0428	FCD0428/1		
Z 750 ABS	750	2007	→ 2009	FSS0411	FCD0428	FCD0428/1		
Z 750 J (ZR)	750	2004	→ 2006	FSS0411	FCD0428	FCD0428/1		
Z 750 R	750	2011	→ 2012	FSS0411	FCD0428	FCD0428/1		
Z 750 R ABS	750	2011	→ 2012	FSS0411	FCD0428	FCD0428/1		
Z 750 S (ZR)	750	2005	→ 2007	FSS0411	FCD0428	FCD0428/1		
Z 750 SPECTRE	750	1982	→ 1983	FSS0403	FCD0402			
Z 750 Y1 LTD	750	1982	→	FSS0403	FCD0409	FCD0409/1	FCS0409/2	FCS0409/3
ZR 750 ZEPHYR	750	1991	→ 1995	FSS0404	FCD0427			
ZR 750 ZEPHYR	750	1996	→ 1998	FSS0409	FCD0427			
ZR-7 750	750	1999	→ 2004	FSS0409	FCD0427			
ZR-7S 750	750	2001	→ 2004	FSS0409	FCD0427			
ZX 750 TURBO	750	1984	→ 1987	FSS0404	FCD0446			
ZX-7R 750 NINJA	750	1996	→ 2003	FSS0416	FCD0409	FCD0409/1	FCS0409/2	FCS0409/3
ZX-7RR 750 NINJA	750	1996	→ 1999	FSS0409	FCD0409	FCD0409/1	FCS0409/2	FCS0409/3
ZX-7RR 750 NINJA	750	2000	→ 2002	FSS0416	FCD0409	FCD0409/1	FCS0409/2	FCS0409/3
ZXR 750	750	1989	→ 1990	FSS0406	FCD0405	FCD0405/1	FCS0405/2	FCS0405/3
ZXR 750 R	750	1991	→ 1995	FSS0416	FCD0409	FCD0409/1	FCS0409/2	FCS0409/3
EJ 800 ABF (W 800)	800	2011	→ 2012	FSS0404	FCD0409	FCD0409/1	FCS0409/2	FCS0409/3
VN 800	800	1995	→ 1999	FSS0404	FCD0409	FCD0409/1	FCS0409/2	FCS0409/3
VN 800 CLASSIC	800	1996	→ 2006	FSS0404	FCD0409	FCD0409/1	FCS0409/2	FCS0409/3
VN 800 DRIFTER	800	1999	→ 2004	FSS0403	FCD0409	FCD0409/1	FCS0409/2	FCS0409/3
GPZ 900 R	900	1984	→ 1996	FSS0404	FCD0409	FCD0409/1	FCS0409/2	FCS0409/3
GPZ 900 R (ZX)	900	1998	→ 2002	FSS0404	FCD0409	FCD0409/1	FCS0409/2	FCS0409/3
VN 900 CLASSIC	900	2006	→ 2012	FSS0404	FCD0409	FCD0409/1	FCS0409/2	FCS0409/3
VN 900 CUSTOM	900	2007	→ 2012	FSS0404	FCD0409	FCD0409/1	FCS0409/2	FCS0409/3
Z 900 A 4	900	1977	→	FSS0404	FCD0116			
Z 900 Z1A - Z1B	900	1974	→ 1976	FSS0404	FCD0116			
ZL 900 ELIMINATOR	900	1985	→ 1986	FSS0406	FCD0408	FCD0408/1		
ZX-9 900 R NINJA	900	1994	→ 1997	FSS0409	FCD0409	FCD0409/1	FCS0409/2	FCS0409/3
ZX-9 900 R NINJA	900	1998	→ 2004	FSS0414	FCD0430	FCD0430/1		
GPZ 1000 R	1000	1986	→ 1988	FSS0406	FCD0408	FCD0408/1		
GTR 1000	1000	1986	→ 2003	FSS0406	FCD0408	FCD0408/1		
KLV 1000	1000	2004	→ 2005	FSS0118	FCD0385			
Z 1000	1000	2007	→ 2009	FSS0411	FCD0430	FCD0430/1		
Z 1000	1000	2010	→ 2012	FSS0475	FCD0430	FCD0430/1		
Z 1000 H1	1000	1980	→	FSS0404	FCD0116			
Z 1000 J1/J2/J3	1000	1981	→ 1983	FSS0404	FCD0408	FCD0408/1		
Z 1000 (ZR)	1000	2003	→ 2006	FSS0414	FCD0430	FCD0430/1		
Z 1000 A1/A2/A3/A4	1000	1977	→ 1980	FSS0404	FCD0116			
Z 1000 ABS	1000	2007	→ 2009	FSS0411	FCD0430	FCD0430/1		
Z 1000 ABS	1000	2010	→ 2012	FSS0475	FCD0430	FCD0430/1		
Z 1000 D1-D3 Z1R	1000	1978	→ 1980	FSS0403	FCD0116			
Z 1000 LTD	1000	1981	→ 1983	FSS0404	FCD0408	FCD0408/1		
Z 1000 SHAFT - ST	1000	1979	→ 1980	FSS0406	FCD0408	FCD0408/1		
Z 1000 SX - ABS	1000	2011	→ 2012	FSS0475	FCD0430	FCD0430/1		
ZL 1000 all models	1000	1987	→	FSS0406	FCD0408	FCD0408/1		
ZX 10R 1000 NINJA	1000	2004	→ 2012	FSS0429	FCD0430	FCD0430/1		
ZX 10R 1000 NINJA ABS	1000	2011	→ 2012	FSS0429	FCD0430	FCD0430/1		

KAWASAKI

FCDXXXX STANDARD FRICTION PLATES ONLY
 FCDXXXX/1 HIGH PERFORMANCE FRICTION PLATES ONLY
 FCSXXXX/2 STANDARD FRICTION PLATES + STEEL PLATES
 FCSXXXX/3 HIGH PERFORMANCE FRICTION PLATES + STEEL PLATES

FERODO
 MOTORCYCLE CLUTCHES
 Updated on 11th Oct 2013

2019



KIT RANGE



STANDARD HIGH PERFORMANCE



STANDARD HIGH PERFORMANCE

...KAWASAKI

Model	Year	Year	Year	Code	Kit	Kit	Kit	Kit
ZX-10 1000	1000	1988	→	1990	FSS0406	FCD0408	FCD0408/1	
GPZ 1100 (ZX 1100)	1100	1981	→	1982	FSS0404	FCD0408	FCD0408/1	
GPZ 1100 (ZX 1100)	1100	1983	→	1985	FSS0406	FCD0408	FCD0408/1	
Z 1100	1100	1981	→	1983	FSS0406	FCD0408	FCD0408/1	
Z 1100 R1	1100	1984	→		FSS0406	FCD0408	FCD0408/1	
Z 1100 SPECTRE - LTD	1100	1982	→	1983	FSS0406	FCD0408	FCD0408/1	
ZR 1100 ZEPHYR	1100	1996	→	1997	FSS0406	FCD0408	FCD0408/1	
ZR 1100 ZEPHYR (ZR 1100 A)	1100	1992	→	1995	FSS0406	FCD0408	FCD0408/1	
ZR 1100 ZEPHYR RS	1100	2002	→		FSS0406	FCD0408	FCD0408/1	
ZRX 1100	1100	1996	→	2000	FSS0406	FCD0408	FCD0408/1	
ZRX 1100 C1	1100	1997	→	2000	FSS0406	FCD0408	FCD0408/1	
ZZR 1100 GT (ZX 1100)	1100	1990	→	2001	FSS0114	FCD0426		
ZRX 1200 R - S	1200	2001	→	2008	FSS0409	FCD0408	FCD0408/1	
ZX 12R 1200 NINJA	1200	2000	→		FSS0414	FCD0431	FCD0431/1	
ZX 12R 1200 NINJA	1200	2001	→	2006	FSS0414	FCD0450	FCD0450/1	
ZZ-R 1200	1200	2002	→	2004	FSS0114	FCD0426		
Z 1300	1300	1979	→	1981	FSS0404	FCD0434		
Z 1300	1300	1982	→	1983	FSS0404	FCD0435		
ZG 1300 DF1	1300	1984	→	1986	FSS0403	FCD0416		
GTR 1400	1400	2008	→	2012	FSS0406	FCD0463		
ZZR 1400	1400	2006	→	2012	FSS0440	FCD0461		
ZZR 1400 ABS	1400	2006	→	2012	FSS0440	FCD0461		
VN 1500 B2-B6	1500	1988	→	1992		FCD0416		
VN 1500 B2/C1/C2/D1	1500	1988	→	1996		FCD0416		
VN 1500 C1/C2	1500	1994	→	1995		FCD0416		
VN 1500 G1/G2	1500	1998	→	1999		FCD0416		
VN 1500 CLASSIC TOURER	1500	1998	→	1999		FCD0416		
VN 1500 CLASSIC TOURER F1	1500	2000	→	2004		FCD0416		
VN 1500 D1/D2 CLASSIC	1500	1996	→	1998		FCD0416		
VN 1500 DRIFTER	1500	1999	→	2004		FCD0416		
VN 1500 MEAN STREAK	1500	2002	→	2004		FCD0416		
VN 1500 NOMAD	1500	2000	→	2003		FCD0416		
VN 1600 CLASSIC	1600	2003	→	2008		FCD0416		
VN 1600 CLASSIC TOURER	1600	2005	→	2008		FCD0416		
VN 1600 MEAN STREAK	1600	2004	→	2008		FCD0416		
VN 1700 CLASSIC	1700	2009	→		FSS0476	FCD0459		
VN 1700 CLASSIC TOURER	1700	2009	→	2012	FSS0476	FCD0459		
VN 1700 VOYAGER	1700	2009	→	2011	FSS0476	FCD0459		
VN 2000	2000	2004	→	2007	FSS0411	FCD0459		
VN 2000 CLASSIC	2000	2008	→	2009	FSS0411	FCD0459		

KAWASAKI ATV

KLF 110 MOJAVE	110	1987	→	1988		FCD0418		
KLF 185	185	1987	→		FSS0402	FCD0101	FCD0101/1	FCS0101/2
KLF 220	220	1988	→	2002	FSS0554	FCD0124	FCD0124/1	FCS0101/3
KLT 250 all models	250	1983	→	1985	FSS0456	FCD0406	FCD0406/1	FCS0406/2
KSF 250	250	1994	→	2004	FSS0456	FCD0406	FCD0406/1	FCS0406/2
KXF 250 TECATE A1/A2	250	1987	→	1988	FSS0404	FCD0422	FCD0422/1	FCS0422/2
KEF 300 LAKOTA SPORT	300	2001	→	2002	FSS0459	FCD0403		FCS0406/3
KLF 300 BAYOU	300	1986	→	1987	FSS0459	FCD0403		FCS0406/3
KLF 300 BAYOU (B1/B17)	300	1988	→	2004	FSS0459	FCD0403		FCS0406/3
KLF 300 BAYOU (C1/C12)	300	1989	→	2005	FSS0459	FCD0403		FCS0406/3
KLF 400 BAYOU 4x4	400	1993	→	1998		FCD0412		FCS0422/3
KSF 400 (KFX 400)	400	2003	→	2004	FSS0318	FCD0363	FCD0363/1	FCS0363/2
KSF 400 (KFX 400)	400	2005	→	2006	FSS0318	FCD0387		FCS0387/2
KFX 450 R	450	2008	→	2012	FSS0483	FCD0462		FCS0462/2

KTM

GSE / GXR 50	50		→			FCD0661		FCS0661/2
GXE-GXR 50 ENDURO-BORA 25	50	1986	→			FCD0661		FCS0661/2
MX 50	50	1987	→			FCD0661		FCS0661/2
RSV 50	50	1986	→			FCD0661		FCS0661/2
SX 50 ADVENTURE	50	1998	→			FCD0661		FCS0661/2
SX 50 JUNIOR LC	50	2002	→	2004		FCD0664		
SX 50 PRO JUNIOR LC	50	2002	→			FCD0664		
SX 50 PRO SENJOR LC	50	2002	→	2003		FCD0664		
SX 60	60	1998	→	2000		FCD0661		FCS0661/2
SX 65	65	1998	→	2008		FCD0661		FCS0661/2
SX 65	65	2009	→	2013		FCD0728		FCS0728/2
SXS 65	65	2012	→	2013		FCD0728		FCS0728/2
XC 65	65	2008	→	2009		FCD0728		FCS0728/2
L-PL-RL-RS-RSL-BORA 80	80		→			FCD0664		
MX 80	80	1989	→	1990		FCD0664		
MX 80 GR - SUPER MINI	80	1986	→			FCD0664		

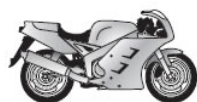
20020

FERODO

MOTORCYCLE CLUTCHES
Updated on 11th Oct 2013

FCDXXXX STANDARD FRICTION PLATES ONLY
FCSXXXX/1 HIGH PERFORMANCE FRICTION PLATES ONLY
FCSXXXX/2 STANDARD FRICTION PLATES + STEEL PLATES
FCSXXXX/3 HIGH PERFORMANCE FRICTION PLATES + STEEL PLATES

KAWASAKI



KIT RANGE



STANDARD

HIGH PERFORMANCE



STANDARD

HIGH PERFORMANCE

...KTM

SX 85	85	2003	→	2013	FCD0705			FCS0705/2	
SX 105	105	2003	→	2011	FCD0705			FCS0705/2	
XC 105	105	2008	→	2010	FCD0705			FCS0705/2	
EXC - EGS 125	125	1994	→	1997	FCD0519			FCS0519/2	
EXC 125	125	1987	→		FCD0519			FCS0519/2	
EXC 125	125	1990	→	1993	FCD0519			FCS0519/2	
EXC 125	125	1998	→	2013		FCD0501/1			FCS0501/3
EXC 125 (pinze Brembo)	125	1989	→		FCD0519			FCS0519/2	
EXC 125 (pinze Grimeca)	125	1989	→		FCD0519			FCS0519/2	
EXC 125 SIX DAYS	125	2004	→	2013		FCD0501/1			FCS0501/3
EXE 125	125	2000	→	2011		FCD0501/1			FCS0501/3
GS 125	125	1974	→	1982	FCD0584			FCS0584/2	
GS 125	125	1984	→	1987	FCD0519			FCS0519/2	
GS 125 LC	125	1983	→		FCD0584			FCS0584/2	
LC2 125	125	1998	→		FCD0519			FCS0519/2	
MX - MXC 125	125	1986	→		FCD0519			FCS0519/2	
MX 125	125	1974	→	1983	FCD0584			FCS0584/2	
MX 125	125	1984	→	1993	FCD0519			FCS0519/2	
SUPERMOTO 125	125	2000	→	2001		FCD0501/1			FCS0501/3
SX 125	125	1998	→	2013		FCD0501/1			FCS0501/3
SXS 125	125	2001	→	2002		FCD0501/1			FCS0501/3
SX 144	144	2008	→			FCD0501/1			FCS0501/3
SX 150	150	2008	→	2013		FCD0501/1			FCS0501/3
XC 150	150	2011	→	2012		FCD0501/1			FCS0501/3
EGS 200	200	1998	→	1999		FCD0501/1			FCS0501/3
EXC 200	200	1997	→	2013		FCD0501/1			FCS0501/3
MXC 200	200	1998	→	2003		FCD0501/1			FCS0501/3
SX 200	200	2003	→	2004		FCD0501/1			FCS0501/3
XC-W 200	200	2011	→	2012		FCD0501/1			FCS0501/3
BAJA 250	250	1986	→		FCD0584			FCS0584/2	
EGS 250	250	1994	→	1999		FCD0502/1			FCS0502/3
ENDURO 250	250	1989	→		FCD0584			FCS0584/2	
EXC 250	250	1990	→	2013		FCD0502/1			FCS0502/3
EXC 250 SIX DAYS (2T)	250	2004	→	2013		FCD0502/1			FCS0502/3
EXC RACING 250 (4T)	250	2000	→	2001		FCD0504/1			FCS0504/3
EXC RACING 250 (4T)	250	2002	→	2003		FCD0503/1			FCS0503/3
EXC RACING 250 (4T)	250	2004	→	2006		FCD0673/1			FCS0673/3
EXC-F 250 (4T)	250	2007	→	2013	FCD0151	FCD0151/1	FCS0151/2		FCS0151/3
EXC-F 250 SIX DAYS (4T)	250	2007	→	2013	FCD0151	FCD0151/1	FCS0151/2		FCS0151/3
GS 250	250	1983	→		FCD0584			FCS0584/2	
GS 250	250	1984	→		FCD0606			FCS0606/2	
GS 250	250	1985	→	1987	FCD0584			FCS0584/2	
MC 250	250	1974	→	1983	FCD0584			FCS0584/2	
MC 250	250	1985	→	1990	FCD0528			FCS0528/2	
MX 250	250	1974	→	1983	FCD0584			FCS0584/2	
MX 250	250	1984	→		FCD0606			FCS0606/2	
MX 250	250	1985	→	1991	FCD0584			FCS0584/2	
MX 250	250	1992	→	1999		FCD0502/1			FCS0502/3
SX 250	250	1994	→	2013		FCD0502/1			FCS0502/3
SX-F 250	250	2005	→	2013	FCD0151	FCD0151/1	FCS0151/2		FCS0151/3
SXS 250	250	2001	→	2003		FCD0502/1			FCS0502/3
XC 250 (2T)	250	1994	→	2013		FCD0502/1			FCS0502/3
XC-F 250	250	2011	→	2013	FCD0151	FCD0151/1	FCS0151/2		FCS0151/3
XC-W 250 (2T)	250	2011	→	2013		FCD0502/1			FCS0502/3
XCF-W 250	250	2012	→		FCD0151	FCD0151/1	FCS0151/2		FCS0151/3
EXC 300	300	1994	→	2013		FCD0502/1			FCS0502/3
EXC 300 EGS	300	1994	→	1999		FCD0502/1			FCS0502/3
EXC 300 SIX DAYS (2T)	300	2006	→	2013		FCD0502/1			FCS0502/3
XC 300 (2T)	300	2011	→	2012		FCD0502/1			FCS0502/3
MC 340	340	1974	→	1983	FCD0584			FCS0584/2	
COUNTRY 350	350	1985	→		FCD0634			FCS0634/2	
EXC 350	350	2012	→	2013		FCD0731/1			FCS0731/3
EXC 350 SIX DAYS	350	2012	→	2013		FCD0731/1			FCS0731/3
GS 350	350	1983	→		FCD0634			FCS0634/2	
SX-F 350	350	2011	→	2012		FCD0731/1			FCS0731/3
XC-F 350	350	2011	→	2012		FCD0731/1			FCS0731/3
XCF-W 350	350	2011	→	2013		FCD0731/1			FCS0731/3
EGS 360	360	1996	→	1997		FCD0502/1			FCS0502/3
EXC 360	360	1996	→	1997		FCD0502/1			FCS0502/3
MXC 360	360	1996	→	1997		FCD0502/1			FCS0502/3
SIX DAYS 360	360	1996	→			FCD0502/1			FCS0502/3
SX 360	360	1996	→	1997		FCD0502/1			FCS0502/3
EXC 380	380	1998	→	2002		FCD0502/1			FCS0502/3
MXC 380	380	1998	→	2002		FCD0502/1			FCS0502/3
SX 380	380	1998	→	2002		FCD0502/1			FCS0502/3
GS 390	390	1980	→		FCD0634			FCS0634/2	

KTM

FCDXXXX STANDARD FRICTION PLATES ONLY
 FCDXXXX/1 HIGH PERFORMANCE FRICTION PLATES ONLY
 FCSXXXX/2 STANDARD FRICTION PLATES + STEEL PLATES
 FCSXXXX/3 HIGH PERFORMANCE FRICTION PLATES + STEEL PLATES

FERODO
 MOTORCYCLE CLUTCHES
 Updated on 11th Oct 2013

2021



KIT RANGE



STANDARD

HIGH PERFORMANCE



STANDARD

HIGH PERFORMANCE

...KTM

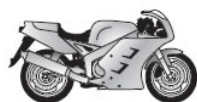
			STANDARD	HIGH PERFORMANCE	STANDARD	HIGH PERFORMANCE
MC 390	390	1980 →	FCD0634		FCS0634/2	
EXC 400	400	2000 → 2001		FCD0504/1		FCS0504/3
EXC RACING 400	400	2000 → 2001		FCD0504/1		FCS0504/3
EXC RACING 400	400	2002 → 2003		FCD0503/1		FCS0503/3
EXC RACING 400	400	2006 → 2007		FCD0713/1		FCS0713/3
EXC RACING 400	400	2004 → 2005		FCD0673/1		FCS0673/3
EXC-G RACING 400	400	2006 → 2007		FCD0713/1		FCS0713/3
EXC-G RACING 400	400	2004 → 2005		FCD0673/1		FCS0673/3
LC4 400 E	400	1998 → 2001		FCD0654/1		FCS0654/3
LC4 400 EGS	400	1995 → 1997		FCD0505/1		FCS0505/3
LC4 400 EXC - RXC	400	1996 → 1997		FCD0505/1		FCS0505/3
MXC 400	400	2000 → 2001		FCD0504/1		FCS0504/3
MXC 400	400	2002 →		FCD0503/1		FCS0503/3
SX 400	400	2002 →		FCD0503/1		FCS0503/3
SX 400	400	2000 → 2001		FCD0504/1		FCS0504/3
SX RACING 400	400	2002 →		FCD0503/1		FCS0503/3
GS 420	420	1984 →	FCD0634		FCS0634/2	
EXC RACING 450	450	2003 →		FCD0503/1		FCS0503/3
EXC RACING 450	450	2004 → 2005		FCD0673/1		FCS0673/3
EXC RACING 450	450	2006 → 2007		FCD0713/1		FCS0713/3
EXC-R 450	450	2008 → 2011		FCD0708/1		FCS0708/3
EXC-R 450 (USA)	450	2011 →		FCD0730/1		FCS0730/3
EXC-R 450 SIX DAYS	450	2008 → 2011		FCD0708/1		FCS0708/3
EXC-R 450 SIX DAYS	450	2012 → 2013		FCD0731/1		FCS0731/3
MXC 450	450	2004 → 2005		FCD0673/1		FCS0673/3
MXC 450	450	2006 →		FCD0503/1		FCS0503/3
SMR 450	450	2006 → 2007		FCD0713/1		FCS0713/3
SMR 450	450	2004 → 2006		FCD0673/1		FCS0673/3
SMR 450	450	2008 → 2012		FCD0707/1		FCS0707/3
SX 450	450	2003 →		FCD0503/1		FCS0503/3
SX 450	450	2004 → 2005		FCD0673/1		FCS0673/3
SX 450	450	2006 →		FCD0713/1		FCS0713/3
SX QUAD 450	450	2009 → 2011		FCD0709/1		FCS0709/3
SX SM 450 FACTORY REPLICA	450	2004 →		FCD0673/1		FCS0673/3
SX-F 450	450	2007 → 2011		FCD0709/1		FCS0709/3
SX-F 450	450	2012 → 2013		FCD0731/1		FCS0731/3
SX-F 450 FACTORY REPLICA	450	2012 →		FCD0731/1		FCS0731/3
XC 450	450	2006 → 2007		FCD0713/1		FCS0713/3
XC-W 450	450	2012 → 2013		FCD0731/1		FCS0731/3
XC-W 450 SIX DAYS	450	2011 →		FCD0730/1		FCS0730/3
GS 495	495	1980 →	FCD0634		FCS0634/2	
MX 495	495	1982 → 1983	FCD0634		FCS0634/2	
EXC 500	500	2012 → 2013		FCD0731/1		FCS0731/3
XC-W 500	500	2012 → 2013		FCD0731/1		FCS0731/3
SX-F 505	505	2007 → 2009		FCD0709/1		FCS0709/3
SX-F 505 QUAD	505	2009 → 2011		FCD0709/1		FCS0709/3
EXC RACING 520	520	2000 → 2001		FCD0504/1		FCS0504/3
EXC RACING 520	520	2002 →		FCD0503/1		FCS0503/3
MXC 520	520	2000 → 2001		FCD0504/1		FCS0504/3
MXC 520	520	2002 →		FCD0503/1		FCS0503/3
SX 520	520	2000 → 2001		FCD0504/1		FCS0504/3
SX 520	520	2002 →		FCD0503/1		FCS0503/3
EXC RACING 525	525	2003 →		FCD0503/1		FCS0503/3
EXC RACING 525	525	2004 → 2005		FCD0673/1		FCS0673/3
EXC RACING 525	525	2006 → 2007		FCD0713/1		FCS0713/3
MXC 525	525	2003 →		FCD0503/1		FCS0503/3
MXC 525	525	2004 → 2005		FCD0673/1		FCS0673/3
SX 525	525	2006 →		FCD0713/1		FCS0713/3
SX 525	525	2003 →		FCD0503/1		FCS0503/3
SX 525	525	2004 → 2006		FCD0673/1		FCS0673/3
SX 525 SMR (FTE Caliper)	525	2004 →		FCD0673/1		FCS0673/3
XC 525	525	2006 → 2007		FCD0713/1		FCS0713/3
EXC-R 530	530	2008 → 2011		FCD0708/1		FCS0708/3
EXC-R RACING 530 (USA)	530	2011 →		FCD0730/1		FCS0730/3
XC-W 530 SIX DAYS	530	2011 →		FCD0730/1		FCS0730/3
LC4 540 SXC	540	1998 → 2000		FCD0505/1		FCS0505/3
SMR 560	560	2006 → 2007		FCD0713/1		FCS0713/3
LC4 620 ADVENTURE	620	1997 →		FCD0505/1		FCS0505/3
LC4 620 DUKE	620	1994 → 1997		FCD0505/1		FCS0505/3
LC4 620 EGS - EXC	620	1996 → 1997		FCD0505/1		FCS0505/3
LC4 620 RXC	620	1996 → 1997		FCD0505/1		FCS0505/3
LC4 620 SC	620	1998 → 2002		FCD0654/1		FCS0654/3
LC4 620 SMC	620	2004 → 2006		FCD0654/1		FCS0654/3
LC4 620 SX	620	1995 → 1999		FCD0505/1		FCS0505/3
LC4 625 SXC	625	2003 → 2007		FCD0654/1		FCS0654/3
LC4 640 ADVENTURE	640	1998 → 2007		FCD0654/1		FCS0654/3

20022

FERODO
MOTORCYCLE CLUTCHES
Updated on 11th Oct 2013

FCDXXXX STANDARD
FCDXXXX/1 HIGH PERFORMANCE
FCSXXXX/2 STANDARD
FCSXXXX/3 HIGH PERFORMANCE

FRICION PLATES ONLY
FRICION PLATES ONLY
FRICION PLATES + STEEL PLATES
FRICION PLATES + STEEL PLATES



KIT RANGE



STANDARD HIGH PERFORMANCE



STANDARD HIGH PERFORMANCE

...KTM

Model	Year	Year Range	Code	Kit	Kit	Kit	Kit
LC4 640 DUKE	640	1998 →			FCD0654/1		FCS0654/3
LC4 640 DUKE II	640	1999 → 2006			FCD0654/1		FCS0654/3
LC4 640 SUPERMOTO	640	2003 → 2006			FCD0654/1		FCS0654/3
LC4 E 640 HARD ENDURO	640	1998 → 2006			FCD0654/1		FCS0654/3
LC4-E 640 SUPERMOTO	640	1999 → 2002			FCD0654/1		FCS0654/3
LC4 660 SM FACTORY REPLICA	660	2002 → 2003			FCD0654/1		FCS0654/3
LC4-E 660 RALLYE	660	2001 →			FCD0712/1		FCS0712/3
SMC 660 SUPERMOTO	660	2003 → 2006			FCD0654/1		FCS0654/3
LC4 690 DUKE	690	2008 → 2011			FCD0710/1		FCS0710/3
LC4 690 DUKE R	690	2010 → 2011			FCD0710/1		FCS0710/3
LC4 690 ENDURO	690	2008 → 2011			FCD0710/1		FCS0710/3
LC4 690 ENDURO R	690	2009 → 2012			FCD0710/1		FCS0710/3
LC4 690 RALLY REPLICA	690	2007 → 2010			FCD0712/1		FCS0712/3
LC4 690 SM	690	2007 → 2009			FCD0710/1		FCS0710/3
LC4 690 SM PRESTIGE	690	2007 →			FCD0710/1		FCS0710/3
LC4 690 SMC	690	2008 → 2011			FCD0710/1		FCS0710/3
LC4 690 SMC R	690	2012 →			FCD0710/1		FCS0710/3
LC4 690 SMR	690	2008 →			FCD0710/1		FCS0710/3
LC8 950 ADVENTURE	950	2003 → 2005			FCD0711/1		FCS0711/3
LC8 950 ADVENTURE S	950	2003 → 2005			FCD0711/1		FCS0711/3
LC8 950 SM	950	2005 → 2008			FCD0711/1		FCS0711/3
LC8 950 SMR	950	2007 →			FCD0711/1		FCS0711/3
LC8 950 SUPERENDURO	950	2006 → 2008			FCD0711/1		FCS0711/3
LC8 950 SUPERENDURO R	950	2006 → 2008			FCD0711/1		FCS0711/3
LC8 990 ADVENTURE	990	2006 → 2012			FCD0711/1		FCS0711/3
LC8 990 ADVENTURE DAKAR	990	2009 → 2012			FCD0711/1		FCS0711/3
LC8 990 ADVENTURE R	990	2009 → 2012			FCD0711/1		FCS0711/3
LC8 990 ADVENTURE S	990	2006 → 2008			FCD0711/1		FCS0711/3
LC8 990 SUPERDUKE	990	2005 → 2012			FCD0711/1		FCS0711/3
LC8 990 SUPERDUKE R	990	2007 → 2012			FCD0711/1		FCS0711/3
LC8 990 SUPERMOTO	990	2008 → 2009			FCD0711/1		FCS0711/3
LC8 990 SUPERMOTO T	990	2009 → 2012			FCD0711/1		FCS0711/3
RC8 1190	1190	2008 → 2010			FCD0729/1		FCS0729/3
RC8 1190 R	1190	2009 → 2012			FCD0729/1		FCS0729/3
RC8 1190 R TRACK	1190	2011 →			FCD0729/1		FCS0729/3

LEM

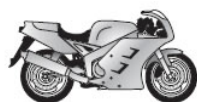
BIG 50 SAFARI	50	→	FSS0520	FCD0548		FCS0548/2	
CINNO 50 CROSS MX 3L	50	→	FSS0520	FCD0548		FCS0548/2	
CINNO 50 TRIAL	50	→	FSS0520	FCD0548		FCS0548/2	
FORMULA 50	50	→	FSS0520	FCD0548		FCS0548/2	
FORMULA 50 T4 ACQUA	50	→	FSS0520	FCD0548		FCS0548/2	

MALAGUTI

DRIBBLING 50 all models	50	1987 →	FSS0520	FCD0548		FCS0548/2	
DUNE 50 ENDURO	50	1987 →		FCD0523	FCD0523/1	FCS0523/2	FCS0523/3
ES 50 DUNE	50	1989 →		FCD0523	FCD0523/1	FCS0523/2	FCS0523/3
FIFTY 50 4 MARCE	50	1987 →		FCD0615	FCD0615/1	FCS0615/2	FCS0615/3
FIFTY 50 FULL all models	50	1983 →		FCD0615	FCD0615/1	FCS0615/2	FCS0615/3
FIFTY 50 HF	50	→ 1982		FCD0615	FCD0615/1	FCS0615/2	FCS0615/3
FIFTY 50 HF	50	1987 →		FCD0615	FCD0615/1	FCS0615/2	FCS0615/3
FIFTY 50 NL	50	1987 →		FCD0615	FCD0615/1	FCS0615/2	FCS0615/3
FIFTY 50 RV	50	1987 →		FCD0615	FCD0615/1	FCS0615/2	FCS0615/3
FIFTY 50 RV VARIATORE / KICK	50	1987 →		FCD0615	FCD0615/1	FCS0615/2	FCS0615/3
FIFTY 50 TOP	50	1985 →		FCD0615	FCD0615/1	FCS0615/2	FCS0615/3
GRIZZLY 50 all models	50	1987 →	FSS0520	FCD0548		FCS0548/2	
MDX GOLD 50 ENDURO	50	1987 →		FCD0615	FCD0615/1	FCS0615/2	FCS0615/3
MEX 50 ENDURO	50	1985 →		FCD0615	FCD0615/1	FCS0615/2	FCS0615/3
MEX 50 ENDURO	50	1986 →		FCD0615	FCD0615/1	FCS0615/2	FCS0615/3
MGX 50 ENDURO	50	1987 →	FSS0520	FCD0548		FCS0548/2	
MLX 50 ENDURO	50	1987 →		FCD0615	FCD0615/1	FCS0615/2	FCS0615/3
RCW 50 RONCO	50	→ 1982	FSS0520	FCD0548		FCS0548/2	
RCX-W 50 ENDURO	50	1983 →	FSS0520	FCD0548		FCS0548/2	
RGT 50 SPORT	50	1985 →	FSS0520	FCD0548		FCS0548/2	
RGT 50 STRADA	50	1983 →	FSS0520	FCD0548		FCS0548/2	
RST 50 SPORT tutti i tipi	50	1987 →	FSS0520	FCD0548		FCS0548/2	
SAHIB 50 ENDURO	50	1983 →	FSS0520	FCD0548		FCS0548/2	
CHOPPER 80	80	→ 1982		FCD0615	FCD0615/1	FCS0615/2	FCS0615/3
MDX 80 ENDURO	80	1984 →		FCD0523	FCD0523/1	FCS0523/2	FCS0523/3

FCDXXXX STANDARD
 FCDXXXX/1 HIGH PERFORMANCE
 FCSXXXX/2 STANDARD
 FCSXXXX/3 HIGH PERFORMANCE

FRICION PLATES ONLY
 FRICION PLATES ONLY
 FRICION PLATES + STEEL PLATES
 FRICION PLATES + STEEL PLATES



HIGH PERFORMANCE



HIGH PERFORMANCE

STANDARD

STANDARD

MALANCA

1 coperchio friz. perno corto	1	→		FCD0637			
1 coperchio friz. perno lungo	1	→		FCD0646			

MINARELLI

motore AM 345 50 cc	50	→	FSS0518	FCD0608	FCD0608/1	FCS0608/2	FCS0608/3
motore HF R 3 GL 50 cc	50	→	FSS0506	FCD0636		FCS0636/2	
motore P4 50 cc	50	→		FCD0621			
motore P6 50 cc	50	→		FCD0587			
motore RV 4 50 cc	50	→	FSS0506	FCD0636		FCS0636/2	
motore MR 6 80 cc	80	→		FCD0635			
motore 125 cc	125	→		FCD0541			
motore RK 6 125 cc	125	→		FCD0531			

MOBYLETTE

1 massette frizione	1	→	1975		FCD0647		
1 massette frizione	1	→	1976		FCD0517		
1 massette frizione	1	→	1977		FCD0638		

MODENAS

KRISS 115	115	→	1998	FSS0410	FCD0411		FCS0411/2
KRISS 115	115	→	1999	FSS0410	FCD0411		FCS0411/2

MONTESA

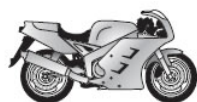
MKS 50	50	→	1987		FCD0587		
COTA 123	123	→	1983			FCS0667/2	
COTA 123	123	→	1983			FCS0663/2	
MH 123	123	→	1983			FCS0667/2	
MH 200	200	→	1983			FCS0667/2	
COTA 242	242	→	1983			FCS0663/2	
RC 248	248	→				FCS0524/2	
COTA 304	304	→	1987			FCS0663/2	
COTA 307	307	→	1989			FCS0651/2	
COTA 315	315	→	1997 → 1999		FCD0544		
COTA 330	330	→				FCS0583/2	
TRIAL 330	330	→	1985			FCS0626/2	
COTA 335	335	→				FCS0583/2	
COTA 335	335	→	1987 → 1991			FCS0663/2	
T 348	348	→	1983			FCS0534/2	
COTA 349	349	→	1983			FCS0582/2	
COTA 349	349	→	1983			FCS0582/2	
MH 349	349	→	1983			FCS0582/2	

MORINI FRANCO

motore 2-3 marce 50 cc	50	→			FCD0618		
motore 6 M 50 cc	50	→		FSS0513	FCD0509	FCD0509/1	FCS0509/2
motore T4 - TA5 6 marce 50 cc	50	→		FSS0520	FCD0548		FCS0548/2
motore TOP G 60 50 cc	50	→		FSS0520	FCD0548		FCS0548/2

MOTO GUZZI

NEVADA 350	350	→	1992 → 1997		FCD0571		
NEVADA 350 CLUB	350	→	1998 → 1999		FCD0571		
NTX 350	350	→	1986 → 1990		FCD0543		
V 35 350 (accensione elettronica)	350	→	1977 → 1979		FCD0543		
V 35 350 C	350	→	1982 → 1986		FCD0543		
V 35 350 CARABINIERI	350	→	1990 → 1991		FCD0543		
V 35 350 CARABINIERI	350	→	1992 → 2001		FCD0571		
V 35 350 FLORIDA	350	→	1986 → 1990		FCD0543		
V 35 350 II	350	→	1980 → 1985		FCD0543		
V 35 350 III	350	→	1985 → 1987		FCD0543		
V 50 500 (accensione elettronica)	500	→	1977 → 1979		FCD0543		
V 50 500 C	500	→	1982 → 1986		FCD0543		
V 50 500 III	500	→	1980 → 1984		FCD0543		
V 50 500 III POLIZIA (vecchio tipo)	500	→	1982 → 1990		FCD0543		
V 50 500 PA	500	→	1992 → 2001		FCD0571		
65 GT 650	650	→	1988 → 1989		FCD0571		
NTX 650	650	→	1986 → 1990		FCD0543		
V 65 650 CUSTOM	650	→	1983 → 1986		FCD0571		
V 65 650 FLORIDA	650	→	1985 → 1992		FCD0571		



KIT RANGE



STANDARD

HIGH PERFORMANCE



STANDARD

HIGH PERFORMANCE

...MOTO GUZZI

					STANDARD	HIGH PERFORMANCE	STANDARD	HIGH PERFORMANCE
V 65 650 POLIZIA (nuovo tipo)	650	1988 → 1995			FCD0571			
750 POLIZIA 1A e 2A serie	750	1992 → 2002			FCD0571			
BREVA 750	750	2003 → 2007			FCD0571			
NEVADA 750	750	1991 → 1997			FCD0571			
NEVADA 750	750	2002 → 2003			FCD0571			
NEVADA 750 AQUILA NERA	750	2009 → 2010			FCD0571			
NEVADA 750 CLASSIC	750	2004 → 2012			FCD0571			
NEVADA 750 CLUB	750	1998 → 2001			FCD0571			
NEVADA 750 S	750	2010 →			FCD0571			
NEVADA 750 S ANNIVERSARIO	750	2012 →			FCD0571			
SP 750	750	1990 → 1992			FCD0571			
STRADA 750	750	1993 → 1995			FCD0571			
TARGA 750	750	1990 → 1992			FCD0571			
V 75 750 PA	750	1992 → 2001			FCD0571			
V7 750 CAFE CLASSIC	750	2009 →			FCD0571			
V7 750 CLASSIC	750	2008 → 2012			FCD0571			
V7 750 RACER	750	2011 → 2012			FCD0571			
V7 750 SPECIAL - STONE	750	2012 →			FCD0571			
BREVA 850	850	2006 → 2007			FCD0612			
GRISO 850	850	2006 → 2007			FCD0612			
LE MANS III 850	850	1981 → 1984			FCD0513			
NORGE 850	850	2007 → 2008			FCD0612			
T3 850	850	1979 → 1985			FCD0513			
T5 850 CIVILE	850	1984 → 1987			FCD0513			
T5 850 POLIZIA	850	1988 → 2001			FCD0612			
T5 850 POLIZIA (ante modifica)	850	1988 → 1993			FCD0513			
BELLAGIO 940 AQUILA NERA	940	2007 → 2010			FCD0612			
CALIFORNIA II 1000	1000	1981 → 1987			FCD0513			
CALIFORNIA III 1000 (carburatori)	1000	1987 → 1993			FCD0612			
CALIFORNIA III 1000 (carburatori)	1000	1988 → 1993			FCD0513			
CALIFORNIA III 1000 (iniezione)	1000	1990 → 1993			FCD0612			
DAYTONA 1000	1000	1992 → 1995			FCD0612			
DAYTONA 1000 RACING	1000	1996 →			FCD0612			
DAYTONA 1000 RS	1000	1997 → 1998			FCD0612			
GT 1000	1000	1987 → 1991			FCD0612			
LE MANS 1000	1000	1984 → 1993			FCD0612			
QUOTA 1000	1000	1992 → 1997			FCD0612			
S 1000	1000	1989 → 1994			FCD0612			
SP 1000	1000	1979 → 1983			FCD0513			
SP II 1000	1000	1984 → 1987			FCD0513			
SP III 1000	1000	1989 → 1994			FCD0612			
STRADA 1000	1000	1993 → 1994			FCD0612			
V 10 1000 CENTAURO	1000	1997 → 1999			FCD0612			
BREVA 1100	1100	2005 → 2007			FCD0612			
CALIFORNIA 1100	1100	1994 → 1997			FCD0612			
CALIFORNIA 1100	1100	2006 → 2012			FCD0612			
CALIFORNIA 1100 ALLUMINIUM - TITANIUM	1100	2004 → 2005			FCD0612			
CALIFORNIA 1100 AQUILA NERA	1100	2009 → 2011			FCD0612			
CALIFORNIA 1100 CLASSIC - TOURING	1100	2006 → 2008			FCD0612			
CALIFORNIA 1100 EV	1100	1997 → 2005			FCD0612			
CALIFORNIA 1100 EV TORURING	1100	2003 → 2005			FCD0612			
CALIFORNIA 1100 JACKAL	1100	1999 → 2001			FCD0612			
CALIFORNIA 1100 SPECIAL	1100	1999 → 2000			FCD0612			
CALIFORNIA 1100 SPECIAL SPORT - ALLUMINIUM	1100	2002 → 2003			FCD0612			
CALIFORNIA 1100 SPORT	1100	2001 → 2002			FCD0612			
CALIFORNIA 1100 STONE - METAL	1100	2001 → 2005			FCD0612			
CALIFORNIA 1100 VINTAGE	1100	2006 → 2012			FCD0612			
GRISO 1100	1100	2005 → 2008			FCD0612			
QUOTA 1100 ES	1100	1999 → 2001			FCD0612			
SPORT 1100 (carburatori)	1100	1994 → 1996			FCD0612			
SPORT 1100 (iniezione)	1100	1996 → 1999			FCD0612			
SPORT 1100 CORSA	1100	1998 → 1999			FCD0612			
V 11 1100 LE MANS	1100	2001 → 2005			FCD0612			
V 11 1100 NAKED	1100	2003 → 2005			FCD0612			
V 11 1100 SPORT	1100	1999 → 2005			FCD0612			
V11 1100 BALLABIO	1100	2003 → 2005			FCD0612			
V11 1100 CAFE SPORT	1100	2003 → 2005			FCD0612			
V11 1100 COPPA ITALIA	1100	2003 → 2005			FCD0612			
BREVA 1200 1200	1200	2008 →			FCD0612			
NORGE 1200	1200	2006 → 2007			FCD0612			
NORGE 1200 ABS	1200	2006 → 2007			FCD0612			
SPORT 1200	1200	2006 → 2007			FCD0612			
SPORT 1200 ABS	1200	2006 → 2007			FCD0612			

MOTO MORINI

FCDXXXX STANDARD FRICTION PLATES ONLY
 FCDXXXX/1 HIGH PERFORMANCE FRICTION PLATES ONLY
 FCSXXXX/2 STANDARD FRICTION PLATES + STEEL PLATES
 FCSXXXX/3 HIGH PERFORMANCE FRICTION PLATES + STEEL PLATES

FERODO
 MOTORCYCLE CLUTCHES
 Updated on 11th Oct 2013

2025



KIT RANGE



STANDARD

HIGH PERFORMANCE



STANDARD

HIGH PERFORMANCE

MOTO MORINI

COGAURO 350	350	1990	→		FCD0547			
DART 350	350	1988	→ 1989		FCD0547			
DART 350	350	1990	→		FCD0547			
EXALIBUR RLX 350	350	1990	→		FCD0547			
EXCALIBUR 350	350	1986	→ 1989		FCD0547			
GT 350	350	1976	→ 1981		FCD0547			
GT 350 TURISMO	350	1980	→		FCD0547			
K2 350	350	1984	→		FCD0547			
KANGURO 350	350	→	1983		FCD0547			
KANGURO 350	350	1984	→		FCD0547			
MORINI 350	350	→			FCD0547			
NEW YORK 350	350	1989	→		FCD0547			
SPORT 350	350	→	1980		FCD0547			
SPORT 350	350	1980	→		FCD0547			
WS 350 PRO ACTION	350	1993	→		FCD0547			
XE 350	350	1985	→		FCD0547			
DART 400	400	1990	→		FCD0547			
CAMEL 500	500	→	1983		FCD0547			
CAMEL 500	500	1984	→		FCD0547			
T.T. 500	500	1980	→		FCD0547			
CAMEL 501	501	→	1986		FCD0547			
CAMEL 501	501	1987	→		FCD0547			
COGUARO 501	501	1989	→		FCD0547			
EXCALIBUR 501	501	1986	→ 1989		FCD0547			
NEW YORK 501	501	1989	→		FCD0547			

NSU-PUCH

NSU-PUCH 1 (2 dischi)	1	→			FCD0566			
NSU-PUCH 1 (3 dischi)	1	→			FCD0666			

PEUGEOT

103/104/105 50	50	1976	→		FCD0647			
motori VRS/RSM/RS 50 massette frizione	50	→	1975		FCD0644			
old models 50	50	→			FCD0560			
old models 50 versione rinforzata	50	→			FCD0560			

PIAGGIO

VESPA 50	50	→		FSS0502	FCD0578		FCS0578/2	
VESPA 50 HP FL2	50	1992	→	FSS0516	FCD0507		FCS0507/2	
VESPA 50 PK SPECIAL - XL	50	1986	→	FSS0502	FCD0578		FCS0578/2	
VESPA 50 PK XL 2	50	→		FSS0502	FCD0578		FCS0578/2	
VESPA 50 PK XL 2 AUTOMATICA	50	→		FSS0502	FCD0578		FCS0578/2	
VESPA 50 SPECIAL	50	→		FSS0502	FCD0578		FCS0578/2	
VESPA 50 V FL 2	50	1990	→	FSS0516	FCD0507		FCS0507/2	
VESPA 90 PRIMAVERA	90	→		FSS0502	FCD0578		FCS0578/2	
VESPA 98	98	1946	→		FCD0723		FCS0723/2	
COSA 125 CL / CL2	125	1988	→ 1991	FSS0521	FCD0554		FCS0554/2	
COSA 2 125	125	1991	→ 1997	FSS0131	FCD0518	FCD0518/1	FCS0518/2	FCS0518/3
VESPA 125	125	1962	→ 1969	FSS0519	FCD0607		FCS0607/2	
VESPA 125 (da V1T a V15T - da V30T a V33T)	125	1946	→ 1952		FCD0723		FCS0723/2	
VESPA 125 (VM1/2T - VU1T)	125	1953	→ 1954		FCD0722		FCS0722/2	
VESPA 125 (VN1/2T)	125	1955	→ 1957	FSS0519	FCD0721		FCS0721/2	
VESPA 125 ET3	125	→		FSS0502	FCD0578		FCS0578/2	
VESPA 125 GT (VNL2T)	125	1966	→ 1973	FSS0519	FCD0607		FCS0607/2	
VESPA 125 GTR (VNL2T)	125	1968	→ 1982	FSS0519	FCD0607		FCS0607/2	
VESPA 125 PK	125	1980	→ 1985	FSS0502	FCD0578		FCS0578/2	
VESPA 125 PK SPECIAL - XL	125	1986	→ 1989	FSS0502	FCD0578		FCS0578/2	
VESPA 125 PRIMAVERA	125	→		FSS0502	FCD0578		FCS0578/2	
VESPA 125 PX	125	1998	→	FSS0131	FCD0518	FCD0518/1	FCS0518/2	FCS0518/3
VESPA 125 PX E (VNX2T)	125	1981	→ 1989	FSS0519	FCD0607		FCS0607/2	
VESPA 125 PX E ARCOBALENO	125	1991	→ 1997	FSS0521	FCD0554		FCS0554/2	
VESPA 125 PX E ARCOBALENO (VNX2T)	125	1981	→ 1989	FSS0519	FCD0607		FCS0607/2	
VESPA 125 TS (VNL3T)	125	1975	→ 1978	FSS0519	FCD0607		FCS0607/2	
VESPA 125 V FL2	125	1989	→	FSS0516	FCD0507		FCS0507/2	
COSA 150 CL / CLX	150	1988	→ 1991	FSS0521	FCD0554		FCS0554/2	
COSA 2 150	150	1991	→ 1997	FSS0131	FCD0518	FCD0518/1	FCS0518/2	FCS0518/3
VESPA 150	150	1951	→ 1972	FSS0519	FCD0607		FCS0607/2	
VESPA 150 (VL1/2/3T)	150	1955	→ 1957	FSS0519	FCD0721		FCS0721/2	
VESPA 150 GS (VS1)	150	1955	→	FSS0519	FCD0724		FCS0724/2	
VESPA 150 GS (VS2/3/4)	150	1956	→ 1958	FSS0519	FCD0725		FCS0725/2	
VESPA 150 GS (VS5 da tel 47351 a tel 63168)	150	1959	→ 1961	FSS0519	FCD0725		FCS0725/2	
VESPA 150 PX	150	1978	→ 1997	FSS0519	FCD0607		FCS0607/2	

20026

FERODOMOTORCYCLE CLUTCHES
Updated on 11th Oct 2013

FCDXXXX STANDARD FRICTION PLATES ONLY
 FCDXXXX/1 HIGH PERFORMANCE FRICTION PLATES ONLY
 FCSXXXX/2 STANDARD FRICTION PLATES + STEEL PLATES
 FCSXXXX/3 HIGH PERFORMANCE FRICTION PLATES + STEEL PLATES



HIGH PERFORMANCE



HIGH PERFORMANCE

...PIAGGIO

					STANDARD	HIGH PERFORMANCE	STANDARD	HIGH PERFORMANCE
VESPA 150 PX	150	1998	→	FSS0131	FCD0518	FCD0518/1	FCS0518/2	FCS0518/3
VESPA 150 PXE ARCOBALENO	150	1991	→ 1997	FSS0521	FCD0554		FCS0554/2	
VESPA 150 SPRINT VELOCE (VLB1)	150	1965	→ 1974	FSS0519	FCD0607		FCS0607/2	
VESPA 150 SUPER (VBC1T)	150	1965	→ 1966	FSS0519	FCD0607		FCS0607/2	
VESPA 160 GS	160		→	FSS0519	FCD0607		FCS0607/2	
VESPA 180 SS	180		→	FSS0521	FCD0554		FCS0554/2	
COSA 1 200	200	1989	→ 1991	FSS0521	FCD0554		FCS0554/2	
COSA 2 200	200	1991	→ 1997	FSS0131	FCD0518	FCD0518/1	FCS0518/2	FCS0518/3
COSA 200	200	1989	→ 1991	FSS0521	FCD0554		FCS0554/2	
VESPA 200 PE	200	1983	→	FSS0521	FCD0554		FCS0554/2	
VESPA 200 PX	200	1998	→	FSS0131	FCD0518	FCD0518/1	FCS0518/2	FCS0518/3
VESPA 200 PX ARCOBALENO	200	1983	→	FSS0521	FCD0554		FCS0554/2	
VESPA 200 PX E	200	1978	→	FSS0521	FCD0554		FCS0554/2	
VESPA 200 RALLY	200		→	FSS0521	FCD0554		FCS0554/2	

PIAGGIO (ciclomotori)

BOXER 50 (massette avviamento)	50		→		FCD0604			
BOXER 50 (massette frizione)	50		→		FCD0535			
BOXER variatore 50 (massette avviamento)	50		→		FCD0579			
BOXER variatore 50 (massette frizione)	50		→		FCD0535			
BRAVO 50 (massette avviamento)	50		→		FCD0604			
BRAVO 50 (massette frizione)	50		→		FCD0535			
BRAVO 50 (ruote in lega mozzo 90mm) (massette avviamento)	50	1987	→		FCD0604			
BRAVO 50 (ruote in lega mozzo 90mm) (massette frizione)	50	1987	→		FCD0535			
BRAVO 50 (ruote in lega) (massette avviamento)	50	1987	→		FCD0604			
BRAVO 50 (ruote in lega) (massette frizione)	50	1987	→		FCD0535			
BRAVO variatore 50 (massette avviamento)	50		→		FCD0579			
BRAVO variatore 50 (massette frizione)	50		→		FCD0535			
BRAVO variatore 50 (ruote in lega mozzo 90mm) (massette avviamento)	50	1987	→		FCD0579			
BRAVO variatore 50 (ruote in lega mozzo 90mm) (massette frizione)	50	1987	→		FCD0535			
BRAVO variatore 50 (ruote in lega) (massette avviamento)	50	1987	→		FCD0579			
BRAVO variatore 50 (ruote in lega) (massette frizione)	50	1987	→		FCD0535			
CIAO 50 (massette avviamento)	50		→		FCD0604			
CIAO 50 (massette frizione)	50		→		FCD0535			
CIAO 50 (ruote in lega) (massette avviamento)	50	1987	→		FCD0604			
CIAO 50 (ruote in lega) (massette frizione)	50	1987	→		FCD0535			
CIAO variatore 50 (massette avviamento)	50		→		FCD0579			
CIAO variatore 50 (massette frizione)	50		→		FCD0535			
CIAO variatore 50 (ruote in lega) (massette avviamento)	50	1987	→		FCD0579			
CIAO variatore 50 (ruote in lega) (massette frizione)	50	1987	→		FCD0535			
GRILLO 50 (massette avviamento)	50	1989	→		FCD0604			
GRILLO 50 (massette frizione)	50	1989	→		FCD0535			
GRILLO variatore 50 (massette avviamento)	50	1989	→		FCD0579			
GRILLO variatore 50 (massette frizione)	50	1989	→		FCD0535			
SI 50	50		→		FCD0535			
SI 50	50		→		FCD0604			
SI variatore 50 (ruote in lega)	50	1980	→		FCD0535			
SI variatore 50 (ruote in lega)	50	1980	→		FCD0579			

PIAGGIO (motocarri)

APE 50 EURO 2	50	2003	→ 2010	FSS0516	FCD0507		FCS0507/2	
APE 50 FL / FL2	50	1989	→ 1995	FSS0516	FCD0507		FCS0507/2	
APE 50 FL3 EUROPA	50	1996	→ 1999	FSS0516	FCD0507		FCS0507/2	
APE 50 P	50	1980	→ 1985	FSS0502	FCD0578		FCS0578/2	
APE 50 RST MIX	50	1999	→ 2005	FSS0516	FCD0507		FCS0507/2	
APE 50 TM P	50	1985	→ 1989	FSS0502	FCD0578		FCS0578/2	
APE PENTARO' 175 senza scodellino	175		→		FCD0511			
APE PENTARO' 175 con scodellino	175		→		FCD0611			
APE CAR 220 P2 / P3	220	1978	→ 1985		FCD0536			
APE LS 220 lubrificazione separata	220		→		FCD0515			
APE MP 220 P 501 (I SERIE) con scodellino	220		→		FCD0611			
APE MP 220 P 501 (I SERIE) senza scodellino	220		→		FCD0511			
APE MP 220 P 501 (II SERIE)	220	1978	→ 1996		FCD0542			
APE MP 220 P 601 (I SERIE)	220	1978	→		FCD0515			
APE MP 220 P 601 (II SERIE)	220	1978	→ 1996		FCD0536			
APE TM 220	220	2009	→ 2010		FCD0536			
APE TM 220 P 602	220	1982	→ 1983		FCD0536			
APE TM 220 P 703 / P 703 V / FL2	220	1984	→ 2002		FCD0536			
APE CALESSINO 420	420	2007	→ 2008		FCD0508			
APE CAR 420 DIESEL	420	1986	→ 1996		FCD0508			
APE CAR 420 MAX DIESEL 9 q.li	420	1986	→ 1996		FCD0508			
APE MP 420 601 CLASSIC	420	2006	→ 2007		FCD0508			
APE POKER 420 BENZINA	420	1993	→		FCD0508			
APE POKER 420 DIESEL	420	1993	→ 1997		FCD0508			



KIT RANGE



STANDARD

HIGH PERFORMANCE



STANDARD

HIGH PERFORMANCE

...PIAGGIO (motocarri)

APE TM 420 DIESEL LCS	420	2005 → 2010		FCD0508				
APE TM 420 P 703 / P 703 V DIESEL	420	1987 → 2004		FCD0508				
PORTER 500 QUARGO	500	2005 → 2009		FCD0683				
PORTER 1000 (carburatore)	1000	1992 →		FCD0602				
PORTER 1000 (iniezione)	1000	1992 → 1998		FCD0514				
PORTER 1200 DIESEL	1200	1995 → 2000		FCD0500				
PORTER 1300 MAXXI UP - DATE	1300	2009 →		FCD0600				
PORTER 1300 UP - DATE	1300	2009 →		FCD0600				
PORTER 1300 16 V 4X4	1300	1998 → 2007		FCD0600				
PORTER 1300 16 V MAXXI	1300	1998 → 2007		FCD0600				
PORTER 1300 16 V PICK UP	1300	1998 → 2007		FCD0600				
PORTER 1300 16 V VAN	1300	1998 → 2007		FCD0600				
PORTER 1400 DIESEL	1400	1995 → 2000		FCD0500				

PIAGGIO (Spagna)

VESPA 80	80	→	FSS0502	FCD0578		FCS0578/2	
VESPA 80 PX	80	→	FSS0502	FCD0578		FCS0578/2	
VESPA 80 SPECIAL	80	→	FSS0502	FCD0578		FCS0578/2	
VESPA 125 PX	125	→	FSS0519	FCD0607		FCS0607/2	
VESPA 150 PX	150	→	FSS0519	FCD0607		FCS0607/2	

RIEJU

DRAC 50	50	1992 → 1997	FSS0506	FCD0636		FCS0636/2	
DRAC 50 (SPAIN)	50	→	FSS0518	FCD0608	FCD0608/1	FCS0608/2	FCS0608/3
FD4 50 SUPER MARATON	50	1985 →	FSS0506	FCD0636		FCS0636/2	
MARATHON 50	50	1974 →		FCD0587			
MRT-PRO 50	50	2009 → 2010	FSS0506	FCD0636		FCS0636/2	
MRX 50 PRO	50	2005 →		FCD0635			
MRX 50 RACING	50	2002 →		FCD0635			
NKD 50	50	2005 →		FCD0635			
RS1 50	50	1989 →	FSS0506	FCD0636		FCS0636/2	
RS1 50 CASTROL	50	2001 →	FSS0518	FCD0608	FCD0608/1	FCS0608/2	FCS0608/3
RS1 50 EVOLUTION	50	1996 → 2000	FSS0518	FCD0608	FCD0608/1	FCS0608/2	FCS0608/3
RS2 50 MATRIX	50	2003 →	FSS0518	FCD0608	FCD0608/1	FCS0608/2	FCS0608/3

ROTAX

motori 125	125	1985 →		FCD0598		FCS0598/2	
motori 175	175	1983 →		FCD0580		FCS0580/2	FCS0580/3
motori 360	360	1985 →		FCD0516	FCD0516/1	FCS0516/2	FCS0516/3
motori 440	440	1985 →		FCD0516	FCD0516/1	FCS0516/2	FCS0516/3

SACHS

motore 3M 1	1	→		FCD0567			
motore 504 1	1	→		FCD0630			
old models 1 (3 dischi)	1	→		FCD0591			
old models 1 (5 dischi)	1	→		FCD0656			
SACHS-CASAL 1	1	→		FCD0670			
X ROAD 125	125	2005 →		FCD0301	FCD0301/1		
XTC 125	125	2000 → 2007		FCD0301	FCD0301/1		

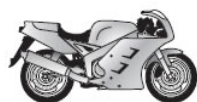
SUZUKI

FR 50	50	1974 → 1981		FCD0373			
GS 50	50	2005 →	FSS0302	FCD0303			
GT 50	50	1977 → 1980	FSS0401	FCD0303			
JR 50 all models	50	1978 → 2007	FSS0201	FCD0319			
OR 50 ET	50	1980 →	FSS0401	FCD0303			
RB 50 H	50	1987 →	FSS0401	FCD0361			
RG 50 EW	50	→	FSS0401	FCD0342	FCD0342/1	FCS0342/2	
RM 50	50	1978 → 1982	FSS0401	FCD0303			
TS 50	50	1979 → 1983	FSS0401	FCD0303			
TS 50	50	1984 → 2002	FSS0401	FCD0342	FCD0342/1	FCS0342/2	
ZR 50	50	1984 → 1987	FSS0401	FCD0303			
ZR 50 KEN - KEX	50	1979 → 1983	FSS0401	FCD0303			
ZR 50 SLK	50	1981 →	FSS0401	FCD0303			
RM 60	60	2003 →	FSS0108	FCD0411		FCS0411/2	
RM 65	65	2003 → 2005	FSS0410	FCD0411		FCS0411/2	
DR Z 70	70	2008 → 2012		FCD0394			
DS 80	80	1980 → 2000	FSS0401	FCD0362	FCD0362/1		
FR 80 all models	80	1976 → 1983		FCD0374			
JR 80	80	2001 → 2007	FSS0401	FCD0310	FCD0310/1		

20028

FERODO
MOTORCYCLE CLUTCHES
Updated on 11th Oct 2013

FCDXXXX STANDARD FRICTION PLATES ONLY
FCDXXXX/1 HIGH PERFORMANCE FRICTION PLATES ONLY
FCSXXXX/2 STANDARD FRICTION PLATES + STEEL PLATES
FCSXXXX/3 HIGH PERFORMANCE FRICTION PLATES + STEEL PLATES



STANDARD

HIGH PERFORMANCE



STANDARD

HIGH PERFORMANCE

...SUZUKI

					STANDARD	HIGH PERFORMANCE	STANDARD	HIGH PERFORMANCE
RM 80	80	1977 → 1979	FSS0401	FCD0301	FCD0301	FCD0301/1		
RM 80	80	1980 → 1981	FSS0202	FCD0301	FCD0301	FCD0301/1		
RM 80	80	1982 →	FSS0308	FCD0310	FCD0310	FCD0310/1		
RM 80	80	1983 →	FSS0307	FCD0310	FCD0310	FCD0310/1		
RM 80	80	1984 → 1985	FSS0307	FCD0301	FCD0301	FCD0301/1		
RM 80	80	1986 →	FSS0307	FCD0320			FCS0320/2	
RM 80	80	1987 → 1988	FSS0320	FCD0320			FCS0320/2	
RM 80	80	1989 → 1990	FSS0308	FCD0301	FCD0301	FCD0301/1		
RM 80	80	1991 → 2001	FSS0530	FCD0301	FCD0301	FCD0301/1		
RM 85	85	2002 → 2012	FSS0530	FCD0301	FCD0301	FCD0301/1		
A 100 all models	100	1974 → 1980	FSS0303	FCD0354				
GP 100	100	1978 →	FSS0303	FCD0302	FCD0302	FCD0302/1		
GP 100	100	1979 →	FSS0303	FCD0301	FCD0301	FCD0301/1		
GP 100	100	1980 → 1987	FSS0303	FCD0359	FCD0359	FCD0359/1		
GP 100 N/UN	100	1979 →	FSS0303	FCD0301	FCD0301	FCD0301/1		
GP 100 N/UN	100	1980 → 1992	FSS0303	FCD0359	FCD0359	FCD0359/1		
RM 100	100	1976 →	FSS0303	FCD0302	FCD0302	FCD0302/1		
RM 100	100	1977 → 1978	FSS0303	FCD0304	FCD0304	FCD0304/1	FCS0304/2	FCS0304/3
RM 100	100	1979 → 1981	FSS0303	FCD0302	FCD0302	FCD0302/1		
RM 100	100	2003 →	FSS0545	FCD0415	FCD0415	FCD0415/1	FCS0415/2	FCS0415/3
TS 100	100	1973 → 1977	FSS0303	FCD0367				
TS 100	100	1978 → 1979	FSS0303	FCD0301	FCD0301	FCD0301/1		
TS 100	100	1980 → 1981	FSS0303	FCD0365	FCD0365	FCD0365/1		
TS 100	100	1982 →	FSS0303	FCD0301	FCD0301	FCD0301/1		
DR Z 110	110	2003 → 2005	FSS0410	FCD0411			FCS0411/2	
SMASH 110	110	2003 →	FSS0404	FCD0411			FCS0411/2	
DF 125	125	→	FSS0307	FCD0301	FCD0301	FCD0301/1		
DR 125 S	125	1982 → 2001	FSS0307	FCD0301	FCD0301	FCD0301/1		
DR 125 S	125	2008 → 2012	FSS0307	FCD0365	FCD0365	FCD0365/1		
DR Z 125 K	125	2003 → 2012	FSS0307	FCD0301	FCD0301	FCD0301/1		
DR Z 125 L	125	2003 → 2012	FSS0307	FCD0301	FCD0301	FCD0301/1		
FX 125	125	→	FSS0307	FCD0301	FCD0301	FCD0301/1		
GN 125	125	1982 → 1990	FSS0307	FCD0301	FCD0301	FCD0301/1		
GN 125	125	1994 → 2001	FSS0307	FCD0301	FCD0301	FCD0301/1		
GN 125 HS	125	2000 → 2011	FSS0307	FCD0301	FCD0301	FCD0301/1		
GP 125	125	1978 → 1979	FSS0303	FCD0302	FCD0302	FCD0302/1		
GP 125	125	1981 → 1984	FSS0303	FCD0359	FCD0359	FCD0359/1		
GS 125	125	1982 → 2000	FSS0307	FCD0301	FCD0301	FCD0301/1		
GT 125	125	1974 → 1978	FSS0303	FCD0301	FCD0301	FCD0301/1		
GT 125	125	1979 →	FSS0303	FCD0365	FCD0365	FCD0365/1		
GZ 125 MARAUDER	125	1998 → 2011	FSS0307	FCD0301	FCD0301	FCD0301/1		
RG 125 T - FV	125	1992 → 1994	FSS0454	FCD0302	FCD0302	FCD0302/1		
RG 125 UN WOLF (NAKED)	125	1992 → 1994	FSS0454	FCD0302	FCD0302	FCD0302/1		
RG 125 W GAMMA	125	1986 → 1990	FSS0303	FCD0302	FCD0302	FCD0302/1		
RM 125	125	1976 → 1978	FSS0303	FCD0304	FCD0304	FCD0304/1	FCS0304/2	FCS0304/3
RM 125	125	1979 → 1980	FSS0303	FCD0302	FCD0302	FCD0302/1		
RM 125	125	1981 → 1982	FSS0308	FCD0304	FCD0304	FCD0304/1	FCS0304/2	FCS0304/3
RM 125	125	1983 →	FSS0307	FCD0304	FCD0304	FCD0304/1	FCS0304/2	FCS0304/3
RM 125	125	1984 →	FSS0307	FCD0314	FCD0314	FCD0314/1	FCS0314/2	FCS0314/3
RM 125	125	1985 →	FSS0307	FCD0304	FCD0304	FCD0304/1	FCS0304/2	FCS0304/3
RM 125	125	1986 → 1987	FSS0523	FCD0302	FCD0302	FCD0302/1		
RM 125	125	1988 → 1991	FSS0310	FCD0314	FCD0314	FCD0314/1	FCS0314/2	FCS0314/3
RM 125	125	1992 →	FSS0306	FCD0334	FCD0334	FCD0334/1	FCS0334/2	FCS0334/3
RM 125	125	1993 → 1996	FSS0533	FCD0334	FCD0334	FCD0334/1	FCS0334/2	FCS0334/3
RM 125	125	1997 → 2001	FSS0215	FCD0334	FCD0334	FCD0334/1	FCS0334/2	FCS0334/3
RM 125	125	2002 → 2012	FCD0454	FCD0454	FCD0454	FCD0454/1	FCS0454/2	FCS0454/3
RV 125 VAN VAN	125	2002 → 2012	FSS0307	FCD0301	FCD0301	FCD0301/1		
T 125 STINGER	125	1969 → 1971	FSS0303	FCD0353				
TF 125 FARM BIKE	125	1978 → 2005	FSS0303	FCD0301	FCD0301	FCD0301/1		
TS 125	125	1973 → 1978	FSS0303	FCD0301	FCD0301	FCD0301/1		
TS 125	125	1980 → 1981	FSS0303	FCD0365	FCD0365	FCD0365/1		
TS 125	125	1984 → 1989	FSS0303	FCD0302	FCD0302	FCD0302/1		
TS 125	125	1990 → 1996	FSS0454	FCD0302	FCD0302	FCD0302/1		
TS 125 ERN (From F No 302346)	125	1979 →	FSS0303	FCD0365	FCD0365	FCD0365/1		
TS 125 ERN (Up to F No 302345)	125	1979 →	FSS0303	FCD0301	FCD0301	FCD0301/1		
TS 125 N from Frame No.178872	125	1984 →	FSS0303	FCD0365	FCD0365	FCD0365/1		
TS 125 N to Frame No.178871	125	1984 →	FSS0303	FCD0301	FCD0301	FCD0301/1		
TS 125 ERZ - FFS	125	1982 →	FSS0303	FCD0301	FCD0301	FCD0301/1		
VL 125 INTRUDER	125	2000 → 2008	FSS0301	FCD0360				
PE 175	175	1978 → 1982	FSS0303	FCD0304	FCD0304	FCD0304/1	FCS0304/2	FCS0304/3
GT 185	185	1974 → 1979	FSS0303	FCD0302	FCD0302	FCD0302/1		
TS 185	185	1973 → 1981	FSS0303	FCD0302	FCD0302	FCD0302/1		
DF 200 EV/EW/EY (SH42A)	200	1998 → 2000	FSS0307	FCD0301	FCD0301	FCD0301/1		
DR 200	200	1986 → 1989	FSS0401	FCD0302	FCD0302	FCD0302/1		
DR 200	200	2001 → 2009	FSS0543	FCD0302	FCD0302	FCD0302/1		
DR 200 DJEBEL	200	1993 → 2000	FSS0543	FCD0302	FCD0302	FCD0302/1		

FCDXXXX HIGH PERFORMANCE
 FCDXXXX/1 HIGH PERFORMANCE
 FCSXXXX/2 STANDARD
 FCSXXXX/3 HIGH PERFORMANCE

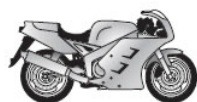
FRICITION PLATES ONLY
 FRICITION PLATES ONLY
 FRICITION PLATES + STEEL PLATES
 FRICITION PLATES + STEEL PLATES

FERODO

MOTORCYCLE CLUTCHES

Updated on 11th Oct 2013

20029



KIT RANGE



STANDARD

HIGH PERFORMANCE



STANDARD

HIGH PERFORMANCE

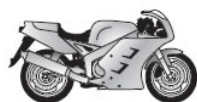
...SUZUKI

					STANDARD	HIGH PERFORMANCE	STANDARD	HIGH PERFORMANCE
GT 200	200	1979 → 1982	FSS0303	FCD0302	FCD0302/1			
RV 200 K2/K3	200	2002 → 2003	FSS0307	FCD0301	FCD0301/1			
SB 200	200	1979 → 1980	FSS0303	FCD0302	FCD0302/1			
SX 200	200	1990 → 1991	FSS0307	FCD0302	FCD0302/1			
TS 200 R	200	1990 →	FSS0307	FCD0304	FCD0304/1	FCS0304/2	FCS0304/3	
DR 250 R	250	1995 → 2000	FSS0207	FCD0125	FCD0125/1			
DR 250 R DJEBEL	250	1996 → 1998	FSS0207	FCD0125	FCD0125/1			
DR 250 S	250	1990 → 1995	FSS0307	FCD0332	FCD0332/1			
DR Z 250	250	2001 → 2007	FSS0207	FCD0125	FCD0125/1			
GN 250	250	1985 → 1997	FSS0301	FCD0316	FCD0316/1			
GS 250 E	250	1980 → 1981	FSS0308	FCD0304	FCD0304/1	FCS0304/2	FCS0304/3	
GSF 250 BANDIT (GJ74A)	250	1992 → 1996	FSS0308	FCD0302	FCD0302/1			
GSX 250	250	1980 → 1982	FSS0308	FCD0304	FCD0304/1	FCS0304/2	FCS0304/3	
GSX 250	250	1987 →	FSS0308	FCD0302	FCD0302/1			
GSX 250 (ZR 250C)	250	2000 → 2005	FSS0403	FCD0441	FCD0441/1			
GSX 250 S KATANA	250	1991 →	FSS0308	FCD0359	FCD0359/1			
GSX-R 250	250	1987 → 1989	FSS0308	FCD0302	FCD0302/1			
GSX-R 250 R	250	1989 →	FSS0308	FCD0359	FCD0359/1			
GT 250 EN - ET - EX	250	1979 → 1981	FSS0301	FCD0351				
GT 250 K - L - M	250	1973 → 1974	FSS0301	FCD0381				
GT 250 K - L - M	250	1975 → 1978	FSS0301	FCD0351				
GZ 250 MARAUDER	250	1999 → 2008	FSS0312	FCD0316	FCD0316/1			
LX 250 L (SBK2)	250	→	FSS0401	FCD0420	FCD0420/1	FCS0420/2	FCS0420/3	
PE 250 B - C	250	1977 → 1978	FSS0301	FCD0346				
PE 250 N	250	1979 →	FSS0301	FCD0346				
PE 250 T	250	1980 →	FSS0301	FCD0306	FCD0306/1			
PE 250 X - Z	250	1981 → 1982	FSS0301	FCD0306	FCD0306/1			
RG 250 F GAMMA	250	1985 → 1988	FSS0301	FCD0352				
RG 250 W GAMMA	250	1983 →	FSS0301	FCD0349	FCD0349/1			
RG 250 W GAMMA	250	1984 →	FSS0301	FCD0352				
RGV 250	250	1988 →	FSS0403	FCD0352				
RGV 250	250	1993 → 1995	FSS0403	FCD0308	FCD0308/1	FCS0308/2	FCS0308/3	
RGV 250 GAMMA	250	1991 → 1992	FSS0403	FCD0308	FCD0308/1	FCS0308/2	FCS0308/3	
RGV 250 K	250	1989 → 1990	FSS0403	FCD0352				
RL 250	250	1974 → 1975		FCD0351				
RL 250	250	1978 → 1982	FSS0301	FCD0372				
RM 250	250	1976 → 1978	FSS0301	FCD0346				
RM 250	250	1979 → 1985	FSS0301	FCD0306	FCD0306/1			
RM 250	250	1986 →	FSS0307	FCD0321	FCD0321/1	FCS0321/2	FCS0321/3	
RM 250	250	1987 →	FSS0320	FCD0321	FCD0321/1	FCS0321/2	FCS0321/3	
RM 250	250	1988 → 1990	FSS0305	FCD0322	FCD0322/1	FCS0322/2	FCS0322/3	
RM 250	250	1991 →	FSS0309	FCD0322	FCD0322/1	FCS0322/2	FCS0322/3	
RM 250	250	1992 → 1993	FSS0306	FCD0333	FCD0333/1	FCS0333/2	FCS0333/3	
RM 250	250	1994 → 1995	FSS0306	FCD0322	FCD0322/1	FCS0322/2	FCS0322/3	
RM 250	250	1996 →	FSS0306	FCD0409	FCD0409/1	FCS0409/2	FCS0409/3	
RM 250	250	1997 → 2002	FSS0215	FCD0409	FCD0409/1	FCS0409/2	FCS0409/3	
RM 250	250	2003 → 2005	FSS0215	FCD0392				
RM 250	250	2006 → 2012	FSS0436	FCD0391				
RMX 250	250	1989 → 1990	FSS0305	FCD0322	FCD0322/1	FCS0322/2	FCS0322/3	
RMX 250	250	1991 →	FSS0309	FCD0322	FCD0322/1	FCS0322/2	FCS0322/3	
RMX 250	250	1992 → 1993	FSS0306	FCD0333	FCD0333/1	FCS0333/2	FCS0333/3	
RMX 250	250	1994 → 1999	FSS0306	FCD0322	FCD0322/1	FCS0322/2	FCS0322/3	
RMZ 250	250	2004 → 2006	FSS0417	FCD0378	FCD0378/1	FCS0378/2	FCS0378/3	
RMZ 250	250	2007 → 2009	FSS0450	FCD0378	FCD0378/1	FCS0378/2	FCS0378/3	
RMZ 250	250	2010 → 2012	FSS0436	FCD0378	FCD0378/1	FCS0378/2	FCS0378/3	
SW1 250	250	1992 →	FSS0301	FCD0316	FCD0316/1			
T 250	250	1970 → 1972	FSS0301	FCD0381				
T 250 SUPER SIX	250	1966 → 1968	FSS0420	FCD0380				
TS 250 all models	250	1974 → 1982	FSS0301	FCD0351				
TS 250 X all models	250	1985 → 1989	FSS0307	FCD0302	FCD0302/1			
TU 250 GRASS TRACKER - BIG BOY	250	2000 → 2001	FSS0312	FCD0316	FCD0316/1			
TU 250 S VOLTY	250	1992 → 1997	FSS0301	FCD0316	FCD0316/1			
TU 250 X VOLTY	250	1997 → 2000	FSS0301	FCD0316	FCD0316/1			
TU 250 X VOLTY	250	1999 → 2000	FSS0312	FCD0316	FCD0316/1			
TV 250 WOLF	250	1988 → 1990	FSS0403	FCD0352				
VL 250 INTRUDER	250	2000 → 2007	FSS0312	FCD0316	FCD0316/1			
RL 325	325	1978 → 1982	FSS0301	FCD0372				
DR 350	350	1990 → 1999	FSS0307	FCD0332	FCD0332/1			
SG 350 GOOSE	350	1992 →	FSS0307	FCD0332	FCD0332/1			
T 350 all models	350	1969 → 1972	FSS0301	FCD0381				
SP 370 C - N	370	1978 → 1979	FSS0301	FCD0346				
GT 380 A - B - K	380	1973 → 1977	FSS0301	FCD0351				
DR 400 ST - SX	400	1979 → 1981	FSS0301	FCD0307	FCD0307/1			
DR Z 400 S	400	2000 → 2008	FSS0318	FCD0363	FCD0363/1	FCS0363/2	FCS0363/3	
DR Z 400 SM	400	2005 → 2009	FSS0318	FCD0363	FCD0363/1	FCS0363/2	FCS0363/3	
GN 400 TT	400	1980 →	FSS0301	FCD0307	FCD0307/1			

20030

 MOTORCYCLE CLUTCHES
 Updated on 11th Oct 2013

 FCDXXXX STANDARD FRICTION PLATES ONLY
 FCDXXXX/1 HIGH PERFORMANCE FRICTION PLATES ONLY
 FCSXXXX/2 STANDARD FRICTION PLATES + STEEL PLATES
 FCSXXXX/3 HIGH PERFORMANCE FRICTION PLATES + STEEL PLATES



KIT RANGE



STANDARD

HIGH PERFORMANCE



STANDARD

HIGH PERFORMANCE

...SUZUKI

					STANDARD	HIGH PERFORMANCE	STANDARD	HIGH PERFORMANCE
GS 400	400	1977 → 1978	FSS0301	FCD0372				
GSF 400 BANDIT	400	1991 → 1997	FSS0307	FCD0331	FCD0331/1			
GSF 400 S KATANA	400	1989 → 1994	FSS0307	FCD0331	FCD0331/1			
GSR 400	400	2006 →	FSS0316	FCD0135	FCD0135/1			
GSX 400	400	1997 → 1999	FSS0301	FCD0123	FCD0123/1			
GSX 400 (GK74A)	400	1988 → 1990	FSS0307	FCD0331	FCD0331/1			
GSX 400 ET - EX - EZ	400	1980 → 1982	FSS0301	FCD0308	FCD0308/1	FCS0308/2	FCS0308/3	
GSX 400 FEX - FZ - FD	400	1981 → 1983	FSS0301	FCD0307	FCD0307/1			
GSX 400 FWS - D - E - S	400	1983 →	FSS0301	FCD0307	FCD0307/1			
GSX 400 IMPULSE TYPE S	400	1994 → 1996	FSS0301	FCD0123	FCD0123/1			
GSX 400 INAZUMA	400	2000 →	FSS0301	FCD0317	FCD0317/1			
GSX 400 KATANA	400	1992 →		FCD0384				
GSX 400 R2 (GK71B)	400	1985 → 1986	FSS0307	FCD0370	FCD0370/1			
GSX 400 R3 (GK71F)	400	→	FSS0307	FCD0370	FCD0370/1			
GSX 400 X IMPULSE	400	1986 → 1988	FSS0307	FCD0370	FCD0370/1			
GSX-R 400	400	1987 →	FSS0307	FCD0370	FCD0370/1			
GSX-R 400	400	1988 → 1990	FSS0307	FCD0331	FCD0331/1			
GSX-R 400 R	400	1990 → 1995	FSS0307	FCD0331	FCD0331/1			
PE 400 T	400	1980 → 1981	FSS0301	FCD0307	FCD0307/1			
RF 400 RVC	400	1993 → 1997	FSS0301	FCD0123	FCD0123/1			
RG 400 WALTER WOLF	400	1985 → 1987	FSS0403	FCD0428	FCD0428/1			
RM 400	400	1978 →	FSS0301	FCD0351				
RM 400	400	1979 → 1980	FSS0301	FCD0307	FCD0307/1			
SP 400	400	1980 →	FSS0301	FCD0307	FCD0307/1			
VS 400 INTRUDER	400	1994 →	FSS0304	FCD0323	FCD0323/1			
GS 425 EN	425	1978 →	FSS0301	FCD0372				
GS 450 E	450	1980 → 1988	FSS0301	FCD0308	FCD0308/1	FCS0308/2	FCS0308/3	
RMX 450 EFI	450	2010 → 2011	FSS0436	FCD0389		FCS0389/2		
RMZ 450	450	2005 → 2007	FSS0436	FCD0389		FCS0389/2		
RMZ 450 EFI	450	2008 → 2012	FSS0436	FCD0389		FCS0389/2		
RM 465	465	1981 → 1982	FSS0301	FCD0313	FCD0313/1	FCS0313/2	FCS0313/3	
DR 500 SD - SE	500	1981 → 1983	FSS0304	FCD0317	FCD0317/1			
GS 500	500	1996 → 2003	FSS0311	FCD0308	FCD0308/1	FCS0308/2	FCS0308/3	
GS 500 E	500	1989 → 1995	FSS0311	FCD0308	FCD0308/1	FCS0308/2	FCS0308/3	
GS 500 F	500	2004 → 2008	FSS0311	FCD0308	FCD0308/1	FCS0308/2	FCS0308/3	
GT 500	500	1976 → 1977	FSS0301	FCD0364				
RE 500	500	1975 → 1976	FSS0301	FCD0341				
RG 500 RF GAMMA	500	1985 → 1987	FSS0555	FCD0428	FCD0428/1			
RM 500 D - E	500	1983 → 1984	FSS0301	FCD0313	FCD0313/1	FCS0313/2	FCS0313/3	
T 500 all models	500	1968 → 1970	FSS0301	FCD0382				
T 500 all models	500	1971 → 1975	FSS0301	FCD0364				
GSX 550 ES - ESE	550	1984 → 1987	FSS0301	FCD0311				
GT 550 A - B	550	1976 → 1977	FSS0465	FCD0371				
GT 550 J	550	1972 → 1972	FSS0465	FCD0371				
GT 550 K - L - M	550	1973 → 1975	FSS0465	FCD0371				
DR 600 R	600	1986 → 1989	FSS0555	FCD0317	FCD0317/1			
DR 600 R DAKAR-DJEBEL	600	1987 → 1988	FSS0555	FCD0317	FCD0317/1			
DR 600 S	600	1986 → 1988	FSS0433	FCD0317	FCD0317/1			
GSF 600 BANDIT	600	1995 → 2004	FSS0309	FCD0313	FCD0313/1	FCS0313/2	FCS0313/3	
GSR 600	600	2006 → 2008	FSS0316	FCD0135	FCD0135/1			
GSX 600 F	600	1998 → 2006	FSS0309	FCD0315	FCD0315/1			
GSX 600 F KATANA	600	1988 → 1991	FSS0304	FCD0313	FCD0313/1	FCS0313/2	FCS0313/3	
GSX 600 F KATANA	600	1992 → 1997	FSS0309	FCD0327	FCD0327/1			
GSX-R 600	600	1996 → 2000	FSS0496	FCD0133	FCD0133/1			
GSX-R 600	600	2001 → 2005	FSS0463	FCD0133	FCD0133/1			
GSX-R 600	600	2006 → 2007	FSS0313	FCD0375	FCD0375/1			
GSX-R 600	600	2008 → 2010	FSS0313	FCD0377	FCD0377/1			
GSX-R 600	600	2011 → 2012	FSS0489	FCD0377	FCD0377/1			
RF 600 RR	600	1993 → 1996	FSS0309	FCD0336	FCD0336/1			
VS 600 GL INTRUDER	600	1995 → 1997	FSS0433	FCD0323	FCD0323/1			
DL 650 V STROM	650	2004 → 2006	FSS0445	FCD0159	FCD0159/1			
DL 650 V STROM X	650	2004 → 2012	FSS0445	FCD0159	FCD0159/1			
DR 650 R	650	1990 → 1995	FSS0433	FCD0335	FCD0335/1			
DR 650 R-RS-RSE-DJEBEL-DAKAR	650	1991 → 1995	FSS0433	FCD0335	FCD0335/1			
DR 650 RS-R DAKAR	650	1990 →	FSS0433	FCD0335	FCD0335/1			
DR 650 SE	650	1996 → 1997	FSS0101	FCD0326	FCD0326/1	FCS0326/2	FCS0326/3	
GS 650 GTX - GTZ - GX	650	1981 → 1983	FSS0301	FCD0305				
GS 650 GZ KATANA	650	1981 → 1982	FSS0301	FCD0305				
GS 650 TURBO	650	1983 →	FSS0301	FCD0305				
GSF 650 BANDIT	650	2005 → 2006	FSS0438	FCD0315	FCD0315/1			
GSF 650 BANDIT ABS	650	2005 → 2006	FSS0438	FCD0315	FCD0315/1			
GSF 650 BANDIT ABS	650	2007 → 2011	FSS0438	FCD0135	FCD0135/1			
GSF 650 S BANDIT ABS	650	2007 → 2011	FSS0438	FCD0135	FCD0135/1			
GSX 650 F	650	2008 → 2012	FSS0438	FCD0135	FCD0135/1			
LS 650 P SAVAGE	650	1987 → 1997	FSS0525	FCD0317	FCD0317/1			
SVF 650 GLADIUS	650	2009 → 2012	FSS0445	FCD0159	FCD0159/1			

FCDXXXX
FCDXXXX/1
FCSXXXX/2
FCSXXXX/3

STANDARD
HIGH PERFORMANCE
STANDARD
HIGH PERFORMANCE

FRICITION PLATES ONLY
FRICITION PLATES ONLY
FRICITION PLATES + STEEL PLATES
FRICITION PLATES + STEEL PLATES

FERODO
MOTORCYCLE CLUTCHES
Updated on 11th Oct 2013

20031

SUZUKI



KIT RANGE



STANDARD HIGH PERFORMANCE



STANDARD HIGH PERFORMANCE

...SUZUKI

					STANDARD	HIGH PERFORMANCE	STANDARD	HIGH PERFORMANCE
SV 650	650	1999 → 2002	FSS0313	FCD0323	FCD0323/1			
SV 650	650	2003 → 2012	FSS0445	FCD0159	FCD0159/1			
SV 650 ABS	650	2003 → 2012	FSS0445	FCD0159	FCD0159/1			
XF 650 FREEWIND	650	1997 → 2002	FSS0101	FCD0326	FCD0326/1	FCS0326/2	FCS0326/3	
GS 700 E - ES	700	1985 →	FSS0433	FCD0305				
VS 700 GLE	700	1986 → 1987	FSS0433	FCD0323	FCD0323/1			
DR 750 S BIG	750	1987 → 1989	FSS0433	FCD0326	FCD0326/1	FCS0326/2	FCS0326/3	
GS 750	750	1977 → 1980	FSS0301	FCD0358				
GSX 750 F	750	1989 → 1997	FSS0105	FCD0327	FCD0327/1			
GSX 750 F	750	1998 → 2006	FSS0309	FCD0315	FCD0315/1			
GSX 750 S KATANA	750	1980 → 1986	FSS0301	FCD0305				
GSX-R 750	750	1988 → 1989	FSS0105	FCD0327	FCD0327/1			
GSX-R 750	750	1990 → 1992	FSS0309	FCD0327	FCD0327/1			
GSX-R 750	750	2000 → 2001	FSS0463	FCD0139	FCD0139/1			
GSX-R 750	750	2002 → 2003	FSS0463	FCD0337	FCD0337/1			
GSX-R 750	750	2004 → 2005	FSS0316	FCD0337	FCD0337/1			
GSX-R 750	750	2006 → 2010	FSS0313	FCD0377	FCD0377/1			
GSX-R 750	750	2011 → 2012	FSS0489	FCD0377	FCD0377/1			
GSX-R 750 F	750	1985 → 1987	FSS0433	FCD0313	FCD0313/1	FCS0313/2	FCS0313/3	
GSX-R 750 SP	750	1993 → 1995	FSS0309	FCD0327	FCD0327/1			
GSX-R 750 T SRAD	750	1996 → 1999	FSS0496	FCD0337	FCD0337/1			
GT 750	750	1972 → 1977	FSS0465	FCD0358				
VS 750 GL	750	1985 → 1991	FSS0433	FCD0323	FCD0323/1			
C 800 INTRUDER	800	2005 → 2012	FSS0126	FCD0323	FCD0323/1			
DR 800 BIG all models	800	1991 → 1993	FSS0433	FCD0326	FCD0326/1	FCS0326/2	FCS0326/3	
DR 800 BIG S - SU	800	1990 →	FSS0433	FCD0326	FCD0326/1	FCS0326/2	FCS0326/3	
DR 800 Z	800	1988 → 1989	FSS0433	FCD0326	FCD0326/1	FCS0326/2	FCS0326/3	
M 800 INTRUDER	800	2005 → 2012	FSS0126	FCD0323	FCD0323/1			
VL 800 INTRUDER LC VOLUSIA	800	2001 → 2004	FSS0126	FCD0323	FCD0323/1			
VS 800 INTRUDER	800	1992 → 1999	FSS0433	FCD0323	FCD0323/1			
VX 800	800	1990 → 1996	FSS0468	FCD0323	FCD0323/1			
VZ 800 MARAUDER	800	1997 → 2003	FSS0468	FCD0323	FCD0323/1			
GS 850	850	1979 → 1985	FSS0301	FCD0305				
RF 900 RR	900	1994 →	FSS0496	FCD0338				
RF 900 RR	900	1995 →	FSS0114	FCD0337	FCD0337/1			
RF 900 RT - RV	900	1996 → 1999	FSS0114	FCD0337	FCD0337/1			
DL 1000 V STROM	1000	2002 → 2010	FSS0118	FCD0385				
GS 1000 ET	1000	1981 →	FSS0301	FCD0309	FCD0309/1			
GS 1000 GT - GX	1000	1980 →	FSS0301	FCD0312				
GS 1000 HC - SN	1000	1978 → 1979	FSS0301	FCD0312				
GSX 1000 S KATANA	1000	1982 →	FSS0301	FCD0309	FCD0309/1			
GSX-R 1000	1000	2001 → 2004	FSS0443	FCD0430	FCD0430/1			
GSX-R 1000	1000	2005 → 2008	FSS0453	FCD0376	FCD0376/1			
GSX-R 1000	1000	2009 → 2012	FSS0467	FCD0379	FCD0379/1			
SV 1000 FAIRED	1000	2003 → 2007	FSS0432	FCD0385				
SV 1000 NAKED	1000	2003 → 2007	FSS0432	FCD0385				
TL 1000 R	1000	1998 → 2002	FSS0314	FCD0347	FCD0347/1			
TL 1000 R	1000	1998 → 2002	FSS0314	FCD0369	FCD0369/1			
TL 1000 S	1000	1997 → 1998	FSS0317	FCD0337	FCD0337/1			
TL 1000 S	1000	1999 → 2000	FSS0314	FCD0347	FCD0347/1			
TL 1000 S	1000	2001 → 2002	FSS0314	FCD0369	FCD0369/1			
GS 1100 GZ	1100	1982 →	FSS0301	FCD0309	FCD0309/1			
GSX 1100	1100	1980 → 1986	FSS0301	FCD0309	FCD0309/1			
GSX 1100	1100	1991 → 1994		FCD0330	FCD0330/1			
GSX 1100 F	1100	1988 → 1993	FSS0105	FCD0324	FCD0324/1			
GSX 1100 F	1100	1993 →		FCD0330	FCD0330/1			
GSX 1100 KATANA	1100	1983 →	FSS0301	FCD0355				
GSX-R 1100	1100	1986 → 1988	FSS0304	FCD0324	FCD0324/1			
GSX-R 1100	1100	1989 → 1992	FSS0496	FCD0330	FCD0330/1			
GSX-R 1100	1100	1993 → 1996	FSS0496	FCD0338				
GS 1200 SS K1	1200	2001 →	FSS0496	FCD0337	FCD0337/1			
GSF 1200 BANDIT	1200	1996 → 2006	FSS0496	FCD0337	FCD0337/1			
GSF 1200 BANDIT STREETFIGHTER	1200	2007 → 2012	FSS0440	FCD0395				
GSF 1200 S BANDIT	1200	1997 →	FSS0496	FCD0337	FCD0337/1			
GSF 1200 S BANDIT	1200	2001 → 2006	FSS0496	FCD0337	FCD0337/1			
GSX 1200 X	1200	1999 → 2001	FSS0496	FCD0337	FCD0337/1			
GV 1200 GL MADURA	1200	1985 → 1986	FSS0433	FCD0366	FCD0366/1			
GSF 1250 BANDIT	1250	2007 → 2012	FSS0440	FCD0395				
GSF 1250 S BANDIT	1250	2007 → 2012	FSS0440	FCD0395				
GSX 1250 FA	1250	2010 → 2012	FSS0440	FCD0395				
GSX 1250 SPORT TOURING	1250	2010 → 2012	FSS0440	FCD0395				
GSX 1300 B KING	1300	2008 → 2012	FSS0449	FCD0385				
GSX-R 1300 HAYABUSA	1300	1999 →	FSS0315	FCD0340	FCD0340/1			
GSX-R 1300 HAYABUSA	1300	2000 → 2001	FSS0477	FCD0340	FCD0340/1			
GSX-R 1300 HAYABUSA	1300	2002 → 2007	FSS0477	FCD0385				
GSX-R 1300 HAYABUSA	1300	2008 → 2012	FSS0449	FCD0385				

SUZUKI

20032



KIT RANGE



STANDARD

HIGH PERFORMANCE



STANDARD

HIGH PERFORMANCE

...SUZUKI

Model	Year	Year Range	FSS	FCD	High Performance FCD	High Performance FCS
GSX 1400	1400	2001 →	FSS0422	FCD0386		
GSX 1400	1400	2002 → 2007	FSS0422	FCD0383		
GV 1400	1400	1985 →	FSS0433	FCD0368	FCD0368/1	
GV 1400 CAVALCADE	1400	1986 → 1988	FSS0433	FCD0368	FCD0368/1	
GV 1400 GD	1400	1986 →	FSS0433	FCD0368	FCD0368/1	
VS 1400 INTRUDER	1400	1987 → 2003		FCD0325	FCD0325/1	
M 1500 INTRUDER	1500	2009 → 2012		FCD0395		
VL 1500 C INTRUDER	1500	2005 → 2009	FSS0115	FCD0309	FCD0309/1	
VL 1500 INTRUDER	1500	2002 → 2003	FSS0115	FCD0309	FCD0309/1	
VL 1500 LC INTRUDER	1500	1998 → 2001	FSS0115	FCD0309	FCD0309/1	
M 1600 INTRUDER	1600	2005 →		FCD0416		
VZ 1600 MARAUDER	1600	2004 →		FCD0416		
C 1800 R INTRUDER	1800	2008 → 2012	FSS0316	FCD0396		
C 1800 RT INTRUDER	1800	2008 → 2009	FSS0316	FCD0396		
M 1800 R INTRUDER	1800	2006 → 2009	FSS0438	FCD0393		
M 1800 R2 INTRUDER	1800	2008 → 2009	FSS0438	FCD0393		
M 1800 RZ INTRUDER	1800	2007 → 2012	FSS0438	FCD0393		

SUZUKI ATV

Model	Year	Year Range	FSS	FCD	High Performance FCD	High Performance FCS
LT 125	125	1984 → 1987		FCD0303		
LT 160	160	1989 → 1992	FSS0120	FCD0318	FCD0318/1	
LT 160 QUADSPORT	160	2003 → 2004	FSS0120	FCD0318	FCD0318/1	
LT-F 160	160	1990 → 2003	FSS0120	FCD0318	FCD0318/1	
LT 185	185	1984 → 1985		FCD0303		
LT 230 GEF/GEG	230	1985 → 1986	FSS0120	FCD0318	FCD0318/1	
LT-F 230 G/H	230	1986 → 1987	FSS0120	FCD0318	FCD0318/1	
LT 250 EFF/EFG	250	1985 → 1986	FSS0120	FCD0328	FCD0328/1	
LT 250 R	250	1987 → 1990	FSS0307	FCD0321	FCD0321/1	FCS0321/2
LT-F 250 4WD QUADRUNNER	250	1997 → 1998	FSS0120	FCD0328	FCD0328/1	
LT-F 250 F QUADRUNNER	250	1999 → 2002	FSS0120	FCD0328	FCD0328/1	
LT-F 250 K OZARK	250	2002 →	FSS0120	FCD0397		FCS0397/2
LT-F 250 K OZARK	250	2003 →	FSS0455	FCD0328	FCD0328/1	
LT-F 250 K OZARK	250	2004 →	FSS0456	FCD0388		FCS0388/2
LT-F 250 K OZARK	250	2005 → 2012	FSS0455	FCD0328	FCD0328/1	
LT-F 250 QUADRUNNER	250	1988 → 2001	FSS0120	FCD0328	FCD0328/1	
LT-Z 250 QUAD SPORT	250	2004 → 2012	FSS0120	FCD0388		FCS0388/2
LT-F 300	300	1988 → 1989	FSS0120	FCD0328	FCD0328/1	
LT-F 300 F KING QUAD	300	1999 → 2001	FSS0120	FCD0314	FCD0314/1	FCS0314/2
LT-F 300 QUADRUNNER 4WD	300	1991 → 1998	FSS0120	FCD0314	FCD0314/1	FCS0314/2
LT-A 400 EIGER	400	2002 → 2007	FSS0555	FCD0412		
LT-A 400 KING QUAD 4WD	400	2008 → 2012	FSS0555	FCD0412		
LT-F 400 EIGER	400	2002 →	FSS0555	FCD0412		
LT-F 400 EIGER 2WD	400	2003 → 2007	FSS0555	FCD0412		
LT-Z 400	400	2003 → 2004	FSS0318	FCD0363	FCD0363/1	FCS0363/2
LT-Z 400 QUADSPORT	400	2005 → 2012	FSS0318	FCD0387		FCS0387/2
LT-R 450	450	2006 → 2012	FSS0441	FCD0389		FCS0389/2
LT 500 R	500	1990 → 1991	FSS0307	FCD0322	FCD0322/1	FCS0322/2
LT-F 500 F QUADRUNNER	500	1998 → 2000	FSS0403	FCD0412		
LT-F 500 VISION QUADRUNNER	500	2003 → 2007	FSS0403	FCD0390		

TM

Model	Year	Year Range	FSS	FCD	High Performance FCD	High Performance FCS
all models 80	80	→ 1985		FCD0642		
all models 80	80	1986 → 1993		FCD0642		
GS 80	80	1986 → 1989		FCD0642		
JUNIOR 80	80	1996 → 2000		FCD0642		
all models 125	125	→ 1985		FCD0642		
all models 125	125	1990 → 1993		FCD0642		
all models 125	125	1994 → 1995		FCD0642		
CROSS - ENDURO 125	125	1989 → 1990		FCD0642		
GS 125	125	1986 → 1989		FCD0642		
MC 125	125	1986 → 1989		FCD0642		

TRIUMPH

Model	Year	Year Range	FSS	FCD	High Performance FCD	High Performance FCS
DAYTONA 600	600	2003 →	FSS0501	FCD0133	FCD0133/1	
SPEED FOUR 600	600	2002 → 2003	FSS0501	FCD0133	FCD0133/1	
TT 600	600	2000 → 2003	FSS0501	FCD0133	FCD0133/1	
DAYTONA 955 T	955	1997 →	FSS0114	FCD0122	FCD0122/1	
SPEED TRIPLE 955 T 509	955	1997 →	FSS0114	FCD0122	FCD0122/1	
TIGER 955	955	1999 →	FSS0114	FCD0122	FCD0122/1	

FCDXXXX HIGH PERFORMANCE
 FCDXXXX/1 HIGH PERFORMANCE
 FCSXXXX/2 STANDARD
 FCSXXXX/3 HIGH PERFORMANCE

FRICION PLATES ONLY
 FRICION PLATES ONLY
 FRICION PLATES + STEEL PLATES
 FRICION PLATES + STEEL PLATES

FERODO

MOTORCYCLE CLUTCHES
 Updated on 11th Oct 2013

20033

VERTEMATI



KIT RANGE



STANDARD HIGH PERFORMANCE



STANDARD HIGH PERFORMANCE

VERTEMATI

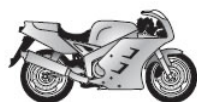
Model	Capacity	Year	Kit	Standard	High Performance	Standard	High Performance
C 450 CROSS	450	2003	→		FCD0504/1		FCS0504/3
E 450 ENDURO	450	2002	→		FCD0504/1		FCS0504/3
SR 450 MOTARD	450	2003	→		FCD0504/1		FCS0504/3
SR 450 MOTARD RACING	450	2003	→		FCD0504/1		FCS0504/3
C 500 CROSS	500	→	2002		FCD0504/1		FCS0504/3
E 501 ENDURO	501	2003	→		FCD0504/1		FCS0504/3
S 501 MOTARD	501	2002	→		FCD0504/1		FCS0504/3
C 570 CROSS	570	2003	→		FCD0504/1		FCS0504/3
E 570 ENDURO	570	2003	→		FCD0504/1		FCS0504/3
SR 600 MOTARD RACING	600	2003	→		FCD0504/1		FCS0504/3

YAMAHA

Model	Capacity	Year	Kit	Standard	High Performance	Standard	High Performance
DT 50 M	50	1978	→ 1979	FSS0546	FCD0202		
DT 50 M	50	1980	→ 1986	FSS0546	FCD0201		
DT 50 MX	50	1978	→ 1979	FSS0546	FCD0202		
DT 50 MX	50	1980	→ 1995	FSS0546	FCD0201		
DT 50 R	50	1997	→ 2008		FCD0279		
DT 50 X SUPERMOTARD	50	2004	→ 2008		FCD0279		
FS 1 50 E	50	1974	→ 1975	FSS0546	FCD0201		
FS 1 50 E DX	50	1977	→ 1979	FSS0546	FCD0201		
FS 1 50	50	1987	→ 1990	FSS0546	FCD0201		
FS 1 50 DX	50	1979	→ 1980	FSS0546	FCD0201		
FS 1 50 SE	50	1981	→ 1982	FSS0546	FCD0201		
RD 50 M	50	1978	→ 1979	FSS0546	FCD0202		
RD 50 M	50	1980	→	FSS0546	FCD0201		
RD 50 MX	50	1981	→ 1987	FSS0546	FCD0201		
RZ 50 (5FC1/2)	50	2002	→	FSS0546	FCD0207		
T 50 TOWNMATE	50	1986	→		FCD0270		
TY 50 M	50	1977	→ 1978	FSS0546	FCD0202		
TY 50 M	50	1980	→	FSS0546	FCD0201		
TZR 50	50	1997	→ 2008		FCD0284		
V 50 M - P	50	1974	→ 1982		FCD0227		
YZ 50	50	1980	→ 1983	FSS0546	FCD0202		
DT 80 LC1 (37A)	80	1981	→ 1984	FSS0546	FCD0207		
DT 80 LC2 (53A)	80	1985	→ 1992	FSS0546	FCD0211		
DT 80 MX Type 12X	80	1983	→	FSS0546	FCD0202		
DT 80 MX Type 36N	80	1983	→ 1985	FSS0401	FCD0207		
DT 80 MX Type 5J2	80	1981	→ 1982	FSS0546	FCD0202		
DT 80 MXS	80	1984	→	FSS0546	FCD0207		
PW 80	80	1983	→ 2006		FCD0227		
RD 80 AIR COOLED	80	1982	→	FSS0546	FCD0202		
RD 80 LC1	80	1982	→	FSS0546	FCD0207		
RD 80 LC2 - LCS	80	1982	→	FSS0546	FCD0207		
T 80 TOWNMATE	80	1983	→ 1997		FCD0227		
TY 80	80	1977	→ 1983	FSS0546	FCD0202		
V 80	80	1979	→ 1982		FCD0227		
V 80 DL	80	1983	→		FCD0227		
YZ 80	80	1977	→	FSS0546	FCD0207		
YZ 80	80	1978	→ 1979	FSS0546	FCD0211		
YZ 80	80	1980	→	FSS0546	FCD0207		
YZ 80	80	1981	→ 1985	FSS0546	FCD0220	FCD0220/1	FCS0220/2 FCS0220/3
YZ 80	80	1986	→ 1989	FSS0206	FCD0228	FCD0228/1	FCS0228/2 FCS0228/3
YZ 80	80	1993	→ 1994	FSS0205	FCD0228	FCD0228/1	FCS0228/2 FCS0228/3
YZ 80	80	1995	→ 2001	FSS0206	FCD0246	FCD0246/1	FCS0246/2 FCS0246/3
YZ 85	85	2002	→ 2012	FSS0206	FCD0246	FCD0246/1	FCS0246/2 FCS0246/3
T 90 N - D	90	2000	→ 2008		FCD0262		
TT-R 90	90	2000	→ 2008		FCD0262		
AG 100 E FARM BIKE	100	1993	→	FSS0401	FCD0277		
AG 100 J	100	1982	→	FSS0401	FCD0277		
DT 100	100	1976	→ 1980	FSS0546	FCD0254		
RS 100	100	1975	→ 1976	FSS0546	FCD0277		
RS 100	100	1977	→ 1980	FSS0546	FCD0211		
RS 100 DX	100	1977	→ 1980	FSS0546	FCD0211		
RT 100	100	1994	→ 2003	FSS0401	FCD0211		
RX S 100	100	1983	→ 1997	FSS0401	FCD0211		
YB 100	100	1978	→ 1992		FCD0256	FCD0256/1	
YZ 100	100	1978	→ 1983	FSS0205	FCD0205		
T 105 CRYPTON	105	1996	→ 1998		FCD0262		
TT-R 110 EX/EY	110	2008	→ 2009	FSS0458	FCD1205		
V 110 SPORTY	110	1996	→		FCD0262		
RX 115	115	1999	→	FSS0546	FCD0211		
DT 125	125	1974	→	FSS0546	FCD0281		
DT 125	125	1976	→ 1977	FSS0205	FCD0254		
DT 125 (3TT4)	125	1996	→	FSS0546	FCD0258		
DT 125 E	125	1978	→ 1979	FSS0401	FCD0254		

VERTEMATI

20034



KIT RANGE



STANDARD

HIGH PERFORMANCE



STANDARD

HIGH PERFORMANCE

...YAMAHA

					STANDARD	HIGH PERFORMANCE	STANDARD	HIGH PERFORMANCE
DT 125 LC	125	1982 → 1983	FSS0546	FCD0268				
DT 125 LC	125	1985 → 1987	FSS0546	FCD0258				
DT 125 MX	125	1980 → 1981	FSS0546	FCD0254				
DT 125 R	125	1988 → 2003	FSS0206	FCD0235		FCD0235/1		
DT 125 RE	125	2004 → 2007	FSS0206	FCD0235		FCD0235/1		
DT 125 X SUPERMOTARD	125	2005 → 2006	FSS0206	FCD0235		FCD0235/1		
IT 125 G - H - J	125	1980 → 1982	FSS0546	FCD0291				
RD 125 DX	125	1975 → 1976	FSS0546	FCD0254				
RD 125 DX	125	1978 → 1981	FSS0546	FCD0211				
RD 125 LC	125	1982 → 1987	FSS0546	FCD0258				
RS 125	125	1975 →	FSS0546	FCD0254				
RS 125 DX	125	1976 →	FSS0546	FCD0254				
RS 125 DX	125	1977 → 1981	FSS0546	FCD0211				
RZ 125 (1GV 030101-)	125	1985 →	FSS0546	FCD0258				
SR 125	125	1982 → 2003	FSS0549	FCD0257				
TDR 125	125	1993 → 2003	FSS0206	FCD0235		FCD0235/1		
TDR 125 (Italia)	125	1989 → 1993	FSS0546	FCD0235		FCD0235/1		
TDR 125 R LIGHTBURNER	125	1993 → 1994	FSS0546	FCD0235		FCD0235/1		
TTR 125	125	2000 → 2009	FSS0546	FCD0211				
TTR 125 LW	125	2000 → 2011	FSS0546	FCD0211				
TW 125	125	1999 → 2002	FSS0549	FCD0205				
TW 125 R - S	125	2003 → 2004	FSS0549	FCD0205				
TY 125	125	1980 → 1982	FSS0546	FCD0205				
TZR 125	125	1987 → 1992	FSS0546	FCD0228		FCD0228/1	FCS0228/2	FCS0228/3
TZR 125	125	1993 → 1995	FSS0546	FCD0235		FCD0235/1		
TZR 125 R	125	1991 → 1995	FSS0546	FCD0235		FCD0235/1		
TZR 125 RED ROCKET	125	1993 → 1995	FSS0206	FCD0235		FCD0235/1		
WR 125 R	125	2009 → 2012	FSS0112	FCD0292				
WR 125 X SUPERMOTO	125	2009 → 2012	FSS0112	FCD0292				
XT 125	125	1982 → 1983	FSS0549	FCD0257				
XT 125 R	125	2005 → 2006	FSS0546	FCD0211				
XT 125 R	125	2007 → 2011	FSS0546	FCD0110		FCD0110/1		
XT 125 R (13D1)	125	2007 →	FSS0546	FCD0211				
XT 125 X SUPERMOTARD	125	2005 → 2006	FSS0546	FCD0211				
XT 125 X SUPERMOTARD	125	2007 → 2011	FSS0546	FCD0110		FCD0110/1		
XT 125 X SUPERMOTARD (13D2)	125	2007 →	FSS0546	FCD0211				
XTZ 125	125	2003 → 2010	FSS0546	FCD0211				
XV 125 VIRAGO	125	1997 → 2000	FSS0201	FCD0237		FCD0237/1		
XVS 125 DRAGSTAR	125	2000 → 2004	FSS0201	FCD0237		FCD0237/1		
YBR 125 CUSTOM	125	2006 → 2012		FCD0110		FCD0110/1		
YBR 125 E (Brasil)	125	2000 → 2008	FSS0546	FCD0211				
YBR 125 ED	125	2005 → 2012		FCD0110		FCD0110/1		
YBR 125 ED (Brasil)	125	2006 → 2008	FSS0546	FCD0211				
YZ 125	125	1976 →	FSS0205	FCD0205				
YZ 125	125	1977 → 1978	FSS0205	FCD0206				
YZ 125	125	1979 →	FSS0546	FCD0205				
YZ 125	125	1980 →	FSS0205	FCD0205				
YZ 125	125	1981 →	FSS0205	FCD0206				
YZ 125	125	1982 →	FSS0205	FCD0266				
YZ 125	125	1983 → 1985	FSS0205	FCD0216		FCD0216/1	FCS0216/2	FCS0216/3
YZ 125	125	1986 → 1987	FSS0524	FCD0216		FCD0216/1	FCS0216/2	FCS0216/3
YZ 125	125	1988 →	FSS0201	FCD0234		FCD0234/1	FCS0234/2	FCS0234/3
YZ 125	125	1989 → 1990	FSS0201	FCD0233		FCD0233/1	FCS0233/2	FCS0233/3
YZ 125	125	1991 → 1992	FSS0553	FCD0240		FCD0240/1	FCS0240/2	FCS0240/3
YZ 125	125	1993 → 2001	FSS0553	FCD0243		FCD0243/1	FCS0243/2	FCS0243/3
YZ 125	125	2002 → 2004	FSS0530	FCD0243		FCD0243/1	FCS0243/2	FCS0243/3
YZ 125	125	2005 → 2012	FSS0553	FCD0243		FCD0243/1	FCS0243/2	FCS0243/3
YZF-R 125 (R1)	125	2008 → 2012	FSS0112	FCD0292				
RX 135	135	1981 →	FSS0546	FCD0258				
TZR 150 R	150	2000 →	FSS0546	FCD0235		FCD0235/1		
DT 175	175	1996 →	FSS0546	FCD0297				
DT 175 all models	175	1974 → 1975	FSS0546	FCD0254				
DT 175 all models	175	1976 → 1977	FSS0205	FCD0254				
DT 175 all models	175	1978 → 1983	FSS0546	FCD0210				
IT 175	175	1980 → 1982	FSS0205	FCD0206				
TY 175	175	1977 → 1980	FSS0546	FCD0205				
AG 200 E	200	1993 →		FCD0292				
DT 200 R	200	1987 →	FSS0546	FCD0235		FCD0235/1		
DT 200 WR	200	1992 → 1993	FSS0546	FCD0235		FCD0235/1		
IT 200	200	1984 →	FSS0401	FCD0206				
RD 200 DX	200	1975 → 1981	FSS0546	FCD0281				
RS 200	200	1979 → 1980	FSS0546	FCD0281				
SDR 200	200	1987 → 1989	FSS0206	FCD0235		FCD0235/1		
TW 200	200	2001 → 2002		FCD0205				
WR 200	200	1992 → 1994	FSS0206	FCD0235		FCD0235/1		
ST 225 BRONCO	225	1997 →		FCD0242				

FCDXXXX STANDARD FRICTION PLATES ONLY
 FCDXXXX/1 HIGH PERFORMANCE FRICTION PLATES ONLY
 FCSXXXX/2 STANDARD FRICTION PLATES + STEEL PLATES
 FCSXXXX/3 HIGH PERFORMANCE FRICTION PLATES + STEEL PLATES

FERODO
 MOTORCYCLE CLUTCHES
 Updated on 11th Oct 2013

20035

YAMAHA



STANDARD

HIGH PERFORMANCE

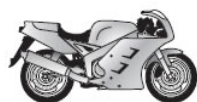


STANDARD

HIGH PERFORMANCE

...YAMAHA

TW 225 (5VC1/2)	225	2003	→		FCD0205				
XT 225	225	1997	→ 2006		FCD0242				
XT 225 SEROW	225	1985	→ 1993		FCD0242				
DT 230 R LANZA	230	1997	→ 1998	FSS0206	FCD0235	FCD0235/1			
DT 250	250	1975	→ 1976	FSS0201	FCD0208	FCD0208/1	FCS0208/2	FCS0208/3	
DT 250 MX	250	1977	→ 1980	FSS0201	FCD0261				
FZR 250	250	1987	→	FSS0307	FCD0263	FCD0263/1			
FZR 250 R	250	1989	→	FSS0307	FCD0263	FCD0263/1			
FZX 250 ZEAL	250	1991	→ 1992	FSS0307	FCD0263	FCD0263/1			
IT 250 G	250	1980	→	FSS0201	FCD0280	FCD0280/1			
IT 250 H - J - K	250	1981	→ 1983	FSS0201	FCD0217	FCD0217/1			
IT 250 L	250	1984	→	FSS0201	FCD0218	FCD0218/1	FCS0218/2	FCS0218/3	
RD 250	250	1974	→ 1975	FSS0205	FCD0208	FCD0208/1	FCS0208/2	FCS0208/3	
RD 250	250	1976	→ 1979	FSS0201	FCD0208	FCD0208/1	FCS0208/2	FCS0208/3	
RD 250 LC	250	1980	→ 1983	FSS0201	FCD0208	FCD0208/1	FCS0208/2	FCS0208/3	
RZ 250 (4L3)	250		→	FSS0201	FCD0208	FCD0208/1	FCS0208/2	FCS0208/3	
RZ 250 R (1AR/1XG)	250		→	FSS0201	FCD0208	FCD0208/1	FCS0208/2	FCS0208/3	
RZ 250 R (29L)	250		→	FSS0201	FCD0208	FCD0208/1	FCS0208/2	FCS0208/3	
RZ 250 RR (51L)	250	1990	→	FSS0201	FCD0208	FCD0208/1	FCS0208/2	FCS0208/3	
SR 250	250	1993	→ 1994	FSS0201	FCD0278				
SR 250 CLASSIC	250	1996	→ 2000	FSS0201	FCD0278				
SR 250 SE	250	1980	→ 1982	FSS0201	FCD0278				
SR 250 US CUSTOM	250	1980	→ 1981	FSS0201	FCD0213				
SRV 250 SOULFULTWIN RENAISSA	250	1992	→ 1997		FCD0237	FCD0237/1			
SRX 250	250		→	FSS0208	FCD0278				
TT 250 R	250	1993	→ 1999	FSS0208	FCD1203				
TT R 250	250	2000	→	FSS0530	FCD0240	FCD0240/1	FCS0240/2	FCS0240/3	
TY 250 R	250	1991	→ 1992	FSS0212	FCD0222	FCD0222/1			
TY 250 S - RS	250	1984	→ 1990	FSS0212	FCD0222	FCD0222/1			
TZR 250 (REVERSE CYLINDER)	250	1989	→ 1990	FSS0211	FCD0275				
WR 250	250	1998	→ 1999	FSS0211	FCD0215	FCD0215/1	FCS0215/2	FCS0215/3	
WR 250	250	2000	→ 2001	FSS0208	FCD0215	FCD0215/1	FCS0215/2	FCS0215/3	
WR 250	250	2002	→ 2008	FSS0213	FCD0215	FCD0215/1	FCS0215/2	FCS0215/3	
WR 250 Z	250	1991	→ 1993	FSS0211	FCD0231	FCD0231/1	FCS0231/2	FCS0231/3	
WR 250 Z	250	1994	→ 1997	FSS0211	FCD0215	FCD0215/1	FCS0215/2	FCS0215/3	
WR F 250	250	2001	→ 2012	FSS0524	FCD0251	FCD0251/1	FCS0251/2	FCS0251/3	
WR R 250	250	2008	→ 2010	FSS0553	FCD0240	FCD0240/1	FCS0240/2	FCS0240/3	
WR X 250	250	2008	→ 2010	FSS0553	FCD0240	FCD0240/1	FCS0240/2	FCS0240/3	
XG 250 TRICKER	250	2004	→ 2006	FSS0211	FCD1203				
XS 250 C	250	1978	→	FSS0201	FCD0217	FCD0217/1			
XS 250 C	250	1981	→	FSS0208	FCD0280	FCD0280/1			
XS 250 D - E	250	1979	→ 1981	FSS0201	FCD0217	FCD0217/1			
XS 250 SE - SF SPECIAL	250	1979	→ 1981	FSS0208	FCD0280	FCD0280/1			
XT 250	250	1980	→	FSS0401	FCD0213				
XT 250 X	250	2006	→ 2008	FSS0211	FCD1203				
XT 250 LANDER (BRASIL)	250	2007	→ 2009	FSS0444	FCD0162	FCD0162/1			
XV 250 VIRAGO	250	1989	→ 1994	FSS0201	FCD0237	FCD0237/1			
XVS 250 DRAGSTAR	250	2001	→ 2004	FSS0201	FCD0280	FCD0280/1			
XVS 250 VIRAGO	250	1995	→ 2000	FSS0201	FCD0237	FCD0237/1			
YBR 250	250	2007	→ 2011	FSS0444	FCD0162	FCD0162/1			
YS 250 Fazer (Brasil) (1S41/2/3)	250	2006	→ 2008	FSS0444	FCD0162	FCD0162/1			
YZ 250	250	1977	→ 1978	FSS0201	FCD0271	FCD0271/1			
YZ 250	250	1979	→	FSS0201	FCD0280	FCD0280/1			
YZ 250	250	1980	→	FSS0201	FCD0271	FCD0271/1			
YZ 250	250	1981	→	FSS0201	FCD0217	FCD0217/1			
YZ 250	250	1982	→ 1984	FSS0201	FCD0218	FCD0218/1	FCS0218/2	FCS0218/3	
YZ 250	250	1985	→	FSS0424	FCD0218	FCD0218/1	FCS0218/2	FCS0218/3	
YZ 250	250	1986	→	FSS0201	FCD0218	FCD0218/1	FCS0218/2	FCS0218/3	
YZ 250	250	1987	→	FSS0424	FCD0218	FCD0218/1	FCS0218/2	FCS0218/3	
YZ 250	250	1988	→ 1992	FSS0211	FCD0231	FCD0231/1	FCS0231/2	FCS0231/3	
YZ 250	250	1993	→ 1999	FSS0211	FCD0215	FCD0215/1	FCS0215/2	FCS0215/3	
YZ 250	250	2000	→ 2001	FSS0208	FCD0215	FCD0215/1	FCS0215/2	FCS0215/3	
YZ 250	250	2002	→ 2012	FSS0213	FCD0215	FCD0215/1	FCS0215/2	FCS0215/3	
YZ F 250	250	2001	→ 2007	FSS0553	FCD0251	FCD0251/1	FCS0251/2	FCS0251/3	
YZ F 250	250	2008	→ 2012	FSS0447	FCD0251	FCD0251/1	FCS0251/2	FCS0251/3	
RD 350 LC	350	1980	→ 1982	FSS0201	FCD0208	FCD0208/1	FCS0208/2	FCS0208/3	
RD 350 LC N-F all models	350	1985	→ 1992	FSS0201	FCD0208	FCD0208/1	FCS0208/2	FCS0208/3	
RD 350 R	350	1992	→ 1995	FSS0201	FCD0208	FCD0208/1	FCS0208/2	FCS0208/3	
RD 350 S	350	1974	→ 1976	FSS0205	FCD0208	FCD0208/1	FCS0208/2	FCS0208/3	
RD 350 YPVS	350	1983	→ 1984	FSS0201	FCD0208	FCD0208/1	FCS0208/2	FCS0208/3	
TT 350	350	1985	→ 1995	FSS0530	FCD0208	FCD0208/1	FCS0208/2	FCS0208/3	
XT 350	350	1985	→ 1995	FSS0530	FCD0208	FCD0208/1	FCS0208/2	FCS0208/3	
DT 400	400	1975	→ 1977	FSS0201	FCD0208	FCD0208/1	FCS0208/2	FCS0208/3	
DT 400 MX	400	1975	→ 1979	FSS0201	FCD0221	FCD0221/1	FCS0221/2	FCS0221/3	
FZ 400	400	1996	→	FSS0408	FCD1204				
FZ 400 n	400	1985	→	FSS0202	FCD0212	FCD0212/1	FCS0212/2	FCS0212/3	



...YAMAHA

KIT RANGE



STANDARD HIGH PERFORMANCE



STANDARD HIGH PERFORMANCE

					STANDARD	HIGH PERFORMANCE	STANDARD	HIGH PERFORMANCE
FZR 400 GENESIS	400	1986 →	FSS0546	FCD0238	FCD0238/1			
FZR 400 R	400	1989 →	FSS0546	FCD0238	FCD0238/1			
FZR 400 RR	400	1992 →	FSS0546	FCD0238	FCD0238/1			
FZR 400 RR - SP	400	1991 →	FSS0546	FCD0238	FCD0238/1			
FZR 400 RRSP	400	1991 →	FSS0546	FCD0236	FCD0236/1			
FZR 400 RSP	400	1987 →	FSS0546	FCD0236	FCD0236/1			
RD 400 C - D	400	1976 → 1977	FSS0201	FCD0208	FCD0208/1	FCS0208/2	FCS0208/3	
RD 400 E - F	400	1978 → 1979	FSS0201	FCD0208	FCD0208/1	FCS0208/2	FCS0208/3	
SRX 400	400	1985 → 1996	FSS0211	FCD0223	FCD0223/1	FCS0223/2	FCS0223/3	
WR F 400	400	1998 → 2002	FSS0208	FCD0232	FCD0232/1	FCS0232/2	FCS0232/3	
XJR 400	400	1993 → 1999	FSS0211	FCD0212	FCD0212/1	FCS0212/2	FCS0212/3	
XS 400	400	1979 →	FSS0201	FCD0217	FCD0217/1			
XS 400	400	1982 →	FSS0201	FCD0260				
XS 400 C	400	1978 →	FSS0201	FCD0217	FCD0217/1			
XS 400 SE	400	1980 → 1981	FSS0201	FCD0217	FCD0217/1			
XVS 400	400	1998 → 1999	FSS0215	FCD0225	FCD0225/1			
YZ 400	400	1977 → 1979	FSS0201	FCD0217	FCD0217/1			
YZ F 400	400	1998 → 1999	FSS0208	FCD0232	FCD0232/1	FCS0232/2	FCS0232/3	
IT 425 G	425	1980 → 2000	FSS0201	FCD0217	FCD0217/1			
WR F 426	426	2000 → 2002	FSS0412	FCD0249	FCD0249/1	FCS0249/2	FCS0249/3	
YZF 426	426	2000 →	FSS0208	FCD0248	FCD0248/1	FCS0248/2	FCS0248/3	
YZF 426	426	2001 → 2002	FSS0213	FCD0249	FCD0249/1	FCS0249/2	FCS0249/3	
WR F 450	450	2003 →	FSS0412	FCD0249	FCD0249/1	FCS0249/2	FCS0249/3	
WR F 450	450	2004 →	FSS0412	FCD0248	FCD0248/1	FCS0248/2	FCS0248/3	
WR F 450	450	2005 → 2012	FSS0213	FCD0215	FCD0215/1	FCS0215/2	FCS0215/3	
YZ F 450	450	2003 → 2004	FSS0213	FCD0248	FCD0248/1	FCS0248/2	FCS0248/3	
YZ F 450	450	2005 → 2006	FSS0210	FCD0248	FCD0248/1	FCS0248/2	FCS0248/3	
YZ F 450	450	2007 → 2012	FSS0204	FCD0215	FCD0215/1	FCS0215/2	FCS0215/3	
IT 465	465	1981 → 1982	FSS0201	FCD0217	FCD0217/1			
YZ 465	465	1980 → 1981	FSS0201	FCD0217	FCD0217/1			
IT 490	490	1984 →	FSS0201	FCD0218	FCD0218/1	FCS0218/2	FCS0218/3	
YZ 490	490	1981 → 1988	FSS0201	FCD0218	FCD0218/1	FCS0218/2	FCS0218/3	
RD 500 LC	500	1984 → 1986	FSS0202	FCD0283				
RZV 500 R (51X)	500	1985 →	FSS0202	FCD0283				
SR 500	500	1978 → 1982	FSS0202	FCD0255				
SR 500	500	1993 → 1998	FSS0202	FCD0255				
TT 500	500	1980 → 1981	FSS0202	FCD0255				
WR 500	500	1992 → 1993	FSS0201	FCD0218	FCD0218/1	FCS0218/2	FCS0218/3	
XP 500 T MAX	500	2001 → 2011		FCD0290	FCD0290/1	FCS0290/2	FCS0290/3	
XP 500 T MAX ABS	500	2005 → 2011		FCD0290	FCD0290/1	FCS0290/2	FCS0290/3	
XP 500 T MAX SV	500	2011 →		FCD0290	FCD0290/1	FCS0290/2	FCS0290/3	
XP 500 T MAX SV ABS	500	2011 →		FCD0290	FCD0290/1	FCS0290/2	FCS0290/3	
XS 500 C	500	1976 → 1979	FSS0202	FCD0212	FCD0212/1	FCS0212/2	FCS0212/3	
XT 500	500	1976 →	FSS0202	FCD0259	FCD0259/1			
XT 500	500	1977 → 1981	FSS0202	FCD0255				
XV 535 DX VIRAGO	535	2001 → 2003	FSS0215	FCD0225	FCD0225/1			
XV 535 VIRAGO	535	1987 → 2001	FSS0215	FCD0225	FCD0225/1			
XJ5 550	550	1981 → 1984	FSS0202	FCD0229	FCD0229/1			
XJ5 550 MAXIM	550	1981 → 1984	FSS0202	FCD0229	FCD0229/1			
XJ5 550 SECA	550	1981 → 1983	FSS0202	FCD0229	FCD0229/1			
XT 550	550	1982 →	FSS0202	FCD0232	FCD0232/1	FCS0232/2	FCS0232/3	
XT 550	550	1983 →	FSS0202	FCD0223	FCD0223/1	FCS0223/2	FCS0223/3	
XZ 550	550	1982 → 1984	FSS0202	FCD0255				
FZ 600	600	1987 → 1988	FSS0202	FCD0212	FCD0212/1	FCS0212/2	FCS0212/3	
FZ6 600 FAZER	600	2004 → 2007	FSS0203	FCD0212	FCD0212/1	FCS0212/2	FCS0212/3	
FZ6 600 FAZER ABS	600	2006 → 2007	FSS0203	FCD0212	FCD0212/1	FCS0212/2	FCS0212/3	
FZ6 N 600	600	2004 → 2007	FSS0203	FCD0212	FCD0212/1	FCS0212/2	FCS0212/3	
FZ6 NS 600	600	2005 → 2006	FSS0203	FCD0212	FCD0212/1	FCS0212/2	FCS0212/3	
FZ6 S2 600	600	2007 → 2009	FSS0203	FCD0212	FCD0212/1	FCS0212/2	FCS0212/3	
FZ6 S2 600 FAZER	600	2007 → 2009	FSS0203	FCD0212	FCD0212/1	FCS0212/2	FCS0212/3	
FZ6 S2 600 FAZER ABS	600	2008 →	FSS0203	FCD0212	FCD0212/1	FCS0212/2	FCS0212/3	
FZR 600	600	1989 → 1995	FSS0546	FCD0236	FCD0236/1			
FZR 600 R	600	1994 → 1995	FSS0211	FCD0245	FCD0245/1	FCS0245/2	FCS0245/3	
FZS 600 FAZER	600	1998 → 1999	FSS0201	FCD0267	FCD0267/1	FCS0267/2	FCS0267/3	
FZS 600 SP FAZER	600	2000 → 2003	FSS0211	FCD0267	FCD0267/1	FCS0267/2	FCS0267/3	
SRX 600	600	1985 → 1991	FSS0202	FCD0223	FCD0223/1	FCS0223/2	FCS0223/3	
TT 600	600	1989 → 1992	FSS0201	FCD0223	FCD0223/1	FCS0223/2	FCS0223/3	
TT 600 E	600	1993 → 2001	FSS0201	FCD0223	FCD0223/1	FCS0223/2	FCS0223/3	
TT 600 K	600	1993 → 1996	FSS0201	FCD0223	FCD0223/1	FCS0223/2	FCS0223/3	
TT 600 K (4GW)	600	1995 → 1996	FSS0201	FCD0223	FCD0223/1	FCS0223/2	FCS0223/3	
TT 600 L	600	1983 → 1984	FSS0201	FCD0223	FCD0223/1	FCS0223/2	FCS0223/3	
TT 600 N	600	1985 → 1988	FSS0201	FCD0223	FCD0223/1	FCS0223/2	FCS0223/3	
TT 600 R	600	1997 →	FSS0201	FCD0223	FCD0223/1	FCS0223/2	FCS0223/3	
TT R 600	600	1998 → 2002	FSS0201	FCD0223	FCD0223/1	FCS0223/2	FCS0223/3	
TT R 600 E	600	2004 →	FSS0201	FCD0255				
XJ N 600	600	1995 → 2003	FSS0202	FCD0212	FCD0212/1	FCS0212/2	FCS0212/3	

FCDXXXX STANDARD FRICTION PLATES ONLY
 FCDXXXX/1 HIGH PERFORMANCE FRICTION PLATES ONLY
 FCSXXXX/2 STANDARD FRICTION PLATES + STEEL PLATES
 FCSXXXX/3 HIGH PERFORMANCE FRICTION PLATES + STEEL PLATES

FERODO
 MOTORCYCLE CLUTCHES
 Updated on 11th Oct 2013

20037

YAMAHA



...YAMAHA



KIT RANGE



STANDARD



HIGH PERFORMANCE

					STANDARD	HIGH PERFORMANCE	STANDARD	HIGH PERFORMANCE
XJ S 600 DIVERSION	600	1992 → 2002	FSS0202	FCD0212	FCD0212/1	FCS0212/2	FCS0212/3	
XJ6 F 600 DIVERSION	600	2010 → 2011	FSS0203	FCD0229	FCD0229/1			
XJ6 FA 600 DIVERSION	600	2011 →	FSS0203	FCD0229	FCD0229/1			
XJ6 N 600	600	2009 → 2011	FSS0203	FCD0229	FCD0229/1			
XJ6 S 600 DIVERSION	600	2009 → 2011	FSS0203	FCD0229	FCD0229/1			
XT 600 4 VALVES	600	1984 → 1990	FSS0524	FCD0223	FCD0223/1	FCS0223/2	FCS0223/3	
XT E 600	600	1990 → 2002	FSS0530	FCD0223	FCD0223/1	FCS0223/2	FCS0223/3	
XT K 600	600	1991 → 1993	FSS0530	FCD0223	FCD0223/1	FCS0223/2	FCS0223/3	
XT Z 600 TENERE	600	1983 → 1984	FSS0524	FCD0223	FCD0223/1	FCS0223/2	FCS0223/3	
XT Z 600 TENERE	600	1985 → 1990	FSS0530	FCD0223	FCD0223/1	FCS0223/2	FCS0223/3	
YZ F 600 R THUNDER CAT	600	1996 → 2002	FSS0211	FCD0245	FCD0245/1	FCS0245/2	FCS0245/3	
YZ F 600 R6	600	1999 → 2002	FSS0203	FCD0212	FCD0212/1	FCS0212/2	FCS0212/3	
YZ F 600 R6	600	2003 → 2005	FSS0213	FCD0212	FCD0212/1	FCS0212/2	FCS0212/3	
YZ F 600 R6	600	2006 → 2012	FSS0442	FCD0239	FCD0239/1			
XJ 650	650	1980 → 1984	FSS0211	FCD0212	FCD0212/1	FCS0212/2	FCS0212/3	
XJ 650 MAXIM	650	1980 → 1983	FSS0211	FCD0212	FCD0212/1	FCS0212/2	FCS0212/3	
XJ 650 MIDNIGHT	650	1981 →	FSS0211	FCD0212	FCD0212/1	FCS0212/2	FCS0212/3	
XJ 650 SECA	650	1982 → 1983	FSS0202	FCD0212	FCD0212/1	FCS0212/2	FCS0212/3	
XJ 650 TURBO	650	1983 →	FSS0202	FCD0212	FCD0212/1	FCS0212/2	FCS0212/3	
XS 650	650	1975 → 1976	FSS0202	FCD0203	FCD0203/1			
XS 650	650	1977 → 1979	FSS0201	FCD0203	FCD0203/1			
XS 650	650	1980 → 1981	FSS0202	FCD0209				
XS 650 SE	650	1979 → 1981	FSS0202	FCD0209				
XVS 650 A DRAG STAR CLASSIC	650	1998 → 2007	FSS0215	FCD0231	FCD0231/1	FCS0231/2	FCS0231/3	
XVS 650 DRAG STAR	650	1997 → 2004	FSS0215	FCD0231	FCD0231/1	FCS0231/2	FCS0231/3	
MT-03 660	660	2006 → 2012	FSS0439	FCD1201				
SZR 660	660	1996 → 1997	FSS0530	FCD0223	FCD0223/1	FCS0223/2	FCS0223/3	
XT R 660	660	2004 → 2011	FSS0439	FCD1201				
XT X 660	660	2004 → 2011	FSS0439	FCD1201				
XT Z 660 TENERE	660	1991 → 1996	FSS0530	FCD0223	FCD0223/1	FCS0223/2	FCS0223/3	
XT Z 660 TENERE	660	2008 → 2012	FSS0439	FCD1201				
FZ 750	750	1985 → 1986	FSS0203	FCD0212	FCD0212/1	FCS0212/2	FCS0212/3	
FZ 750 GENESIS	750	1987 → 1992	FSS0203	FCD0229	FCD0229/1			
FZR 750 (OW01)	750	1989 → 1991	FSS0203	FCD0239	FCD0239/1			
FZR 750 GENESIS	750	1987 →	FSS0203	FCD0230	FCD0230/1			
FZX 750	750	1988 →	FSS0203	FCD0229	FCD0229/1			
XJ 750	750	1982 → 1984	FSS0202	FCD0212	FCD0212/1	FCS0212/2	FCS0212/3	
XJ 750 SECA	750	1981 → 1983	FSS0202	FCD0212	FCD0212/1	FCS0212/2	FCS0212/3	
XS 750	750	1977 → 1979	FSS0202	FCD0217	FCD0217/1			
XS 750 SE	750	1979 → 1980	FSS0202	FCD0217	FCD0217/1			
XTZ 750 SUPER TENERE	750	1989 → 1995	FSS0203	FCD0212	FCD0212/1	FCS0212/2	FCS0212/3	
XV 750 SE	750	1981 →	FSS0211	FCD0215	FCD0215/1	FCS0215/2	FCS0215/3	
XV 750 VIRAGO	750	1992 → 1993	FSS0211	FCD0215	FCD0215/1	FCS0215/2	FCS0215/3	
YZF 750 R7 (OW02) road version	750	1999 → 2000		FCD0286	FCD0286/1			
YZF 750 RR-SP	750	1993 → 1998	FSS0203	FCD0239	FCD0239/1			
FZ8 N 800	800	2011 →	FSS0436	FCD0296				
FZ8 NA 800	800	2011 → 2012	FSS0436	FCD0296				
FZ8 S 800 FAZER	800	2011 →	FSS0436	FCD0296				
FZ8 SA 800 FAZER	800	2011 → 2012	FSS0436	FCD0296				
TDM 850	850	1991 → 1995	FSS0203	FCD0212	FCD0212/1	FCS0212/2	FCS0212/3	
TDM 850	850	1996 → 1998	FSS0203	FCD0239	FCD0239/1			
TDM 850	850	1999 → 2001	FSS0213	FCD0239	FCD0239/1			
TRX 850	850	1996 → 1997	FSS0203	FCD0239	FCD0239/1			
XS 850	850	1980 →	FSS0202	FCD0252	FCD0252/1			
TDM 900	900	2002 → 2012	FSS0204	FCD0239	FCD0239/1			
TDM 900 ABS	900	2005 → 2007	FSS0204	FCD0239	FCD0239/1			
XJ 900	900	1983 → 1990	FSS0208	FCD0212	FCD0212/1	FCS0212/2	FCS0212/3	
XJ 900 F	900	1985 → 1992	FSS0203	FCD0212	FCD0212/1	FCS0212/2	FCS0212/3	
XJ S 900 DIVERSION	900	1995 → 2003	FSS0203	FCD0212	FCD0212/1	FCS0212/2	FCS0212/3	
XVS 950 A MIDNIGHT STAR	950	2009 → 2011		FCD1206				
FZ1 1000	1000	2006 → 2012	FSS0436	FCD0249	FCD0249/1	FCS0249/2	FCS0249/3	
FZ1 1000 FAZER	1000	2006 → 2012	FSS0436	FCD0249	FCD0249/1	FCS0249/2	FCS0249/3	
FZ1 1000 FAZER ABS	1000	2007 → 2012	FSS0436	FCD0249	FCD0249/1	FCS0249/2	FCS0249/3	
FZR 1000 EX-UP	1000	1991 → 1992	FSS0204	FCD0241	FCD0241/1			
FZR 1000 EX-UP	1000	1993 →	FSS0204	FCD0244	FCD0244/1			
FZR 1000 GENESIS	1000	1986 → 1988	FSS0203	FCD0230	FCD0230/1			
FZR 1000 R	1000	1994 → 1995	FSS0204	FCD0244	FCD0244/1			
FZR 1000 R - EX-UP	1000	1989 → 1990	FSS0204	FCD0241	FCD0241/1			
FZS 1000 FAZER	1000	2001 → 2005	FSS0204	FCD0285	FCD0285/1			
GTS 1000	1000	1993 → 1996	FSS0204	FCD0244	FCD0244/1			
XV 1000 TR 1	1000	1981 →	FSS0202	FCD0215	FCD0215/1	FCS0215/2	FCS0215/3	
XV 1000 VIRAGO	1000	1986 →	FSS0202	FCD0215	FCD0215/1	FCS0215/2	FCS0215/3	
YZF 1000 R THUNDER ACE	1000	1996 → 2001	FSS0204	FCD0244	FCD0244/1			
YZF 1000 R1	1000	1998 →	FSS0497	FCD0203	FCD0203/1			
YZF 1000 R1	1000	1999 → 2003	FSS0497	FCD0247	FCD0247/1	FCS0247/2	FCS0247/3	
YZF 1000 R1	1000	2004 → 2006	FSS0436	FCD0249	FCD0249/1	FCS0249/2	FCS0249/3	

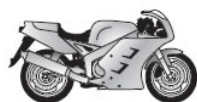
YAMAHA

20038

FERODO

MOTORCYCLE CLUTCHES
Updated on 11th Oct 2013

FCDXXXX STANDARD FRICTION PLATES ONLY
FCDXXXX/1 HIGH PERFORMANCE FRICTION PLATES ONLY
FCSXXXX/2 STANDARD FRICTION PLATES + STEEL PLATES
FCSXXXX/3 HIGH PERFORMANCE FRICTION PLATES + STEEL PLATES



KIT RANGE



STANDARD

HIGH PERFORMANCE



STANDARD

HIGH PERFORMANCE

...YAMAHA

					STANDARD	HIGH PERFORMANCE	STANDARD	HIGH PERFORMANCE
YZF 1000 R1	1000	2007 → 2008	FSS0437	FCD0249	FCD0249/1	FCS0249/2	FCS0249/3	
YZF 1000 R1	1000	2009 → 2012	FSS0437	FCD0248	FCD0248/1	FCS0248/2	FCS0248/3	
BT 1100 BULLDOG	1100	2002 → 2006		FCD0215	FCD0215/1	FCS0215/2	FCS0215/3	
FJ 1100 J	1100	1984 → 1985	FSS0497	FCD0219	FCD0219/1			
XS 1100	1100	1978 → 1980	FSS0202	FCD0204				
XS 1100 S	1100	1981 →	FSS0202	FCD0204				
XV 1100 VIRAGO	1100	1986 → 2000		FCD0215	FCD0215/1	FCS0215/2	FCS0215/3	
XVS 1100 A DRAG STAR CLASSIC	1100	2000 → 2006		FCD0215	FCD0215/1	FCS0215/2	FCS0215/3	
XVS 1100 DRAG STAR	1100	1999 → 2004		FCD0215	FCD0215/1	FCS0215/2	FCS0215/3	
FJ 1200	1200	1986 → 1991	FSS0497	FCD0219	FCD0219/1			
FJ 1200 ABS	1200	1991 → 1995	FSS0497	FCD0219	FCD0219/1			
V-MAX 1200 (YMX 12N)	1200	1991 → 2003	FSS0500	FCD0226	FCD0226/1			
XJR 1200	1200	1995 → 1997	FSS0497	FCD0219	FCD0219/1			
XTZ 1200 SUPER TENERE	1200	2010 → 2011	FSS0497	FCD0293				
XVZ 1200 12 TD	1200	1988 →	FSS0500	FCD0226	FCD0226/1			
FJR 1300	1300	2001 → 2004	FSS0497	FCD0293				
FJR 1300 A	1300	2003 → 2005	FSS0497	FCD0293				
FJR 1300 A ABS	1300	2006 → 2011	FSS0497	FCD0293				
FJR 1300 AS	1300	2006 → 2008	FSS0497	FCD0293				
XJR 1300	1300	1999 → 2011	FSS0497	FCD0219	FCD0219/1			
XJR 1300 SP	1300	1999 → 2001	FSS0497	FCD0219	FCD0219/1			
XVS 1300 A MIDNIGHT STAR	1300	2007 → 2011	FSS0497	FCD0293				
XVZ 1300 ROYAL STAR	1300	1996 → 2000	FSS0500	FCD0226	FCD0226/1			
XVZ 1300 TD	1300	1989 → 1990	FSS0500	FCD0226	FCD0226/1			
XVZ 1300 TF ROYAL STAR VENTURE	1300	2000 →	FSS0500	FCD0226	FCD0226/1			
XV 1600 ROAD STAR SILVERADO	1600	1999 → 2002	FSS0500	FCD0287	FCD0287/1			
XV 1600 WILD STAR SILVERADO	1600	1999 → 2004	FSS0500	FCD0287	FCD0287/1			
XV 1670 ROYALS STAR WARRIOR	1670	2002 →	FSS0500	FCD0287	FCD0287/1			
MT-01 1700	1700	2005 → 2009	FSS0497	FCD0298				
MT-01S 1700	1700	2009 →	FSS0497	FCD0298				
V MAX 1700	1700	2009 → 2012	FSS0497	FCD1207				
XV 1700 PC ROAD STAR WARRIOR	1700	2003 → 2005	FSS0500	FCD0294				
XV 1900 A MIDNIGHT STAR	1900	2006 → 2012	FSS0497	FCD0299				

YAMAHA ATV

YFM 50 RAPTOR	50	2004 → 2009		FCD0227			
YFM 80 BADGER	80	1992 → 2001		FCD0227			
YFM 80 GRIZZLY	80	2005 → 2008		FCD0227			
YFM 80 RAPTOR	80	2002 → 2008		FCD0227			
YFM 200 (MOTO 4)	200	1985 → 1990	FSS0457	FCD0220	FCD0220/1	FCS0220/2	FCS0220/3
YFS 200 BLASTER	200	1991 → 2006	FSS0206	FCD0235	FCD0235/1		
YTM 200 TRI MOTO	200	1989 →		FCD0228	FCD0228/1	FCS0228/2	FCS0228/3
YFM 225 MOTO 4	225	1986 → 1988		FCD0220	FCD0220/1	FCS0220/2	FCS0220/3
YTM 225 TRI MOTO	225	1985 → 1986	FSS0209	FCD0220	FCD0220/1	FCS0220/2	FCS0220/3
YFB 250 D/E/F TIMBERWOLF	250	1992 → 1994	FSS0209	FCD0220	FCD0220/1	FCS0220/2	FCS0220/3
YFB 250 FW TIMBERWOLF	250	1994 → 2000	FSS0209	FCD0220	FCD0220/1	FCS0220/2	FCS0220/3
YFM 250 RX/RV Raptor	250	2008 → 2009	FSS0550	FCD1202		FCS1202/2	
YFM 250 AN BRUIN 2x4	250	2005 → 2006	FSS0209	FCD0220	FCD0220/1	FCS0220/2	FCS0220/3
YFM 250 BEAR TRACKER	250	1999 → 2000	FSS0209	FCD0220	FCD0220/1	FCS0220/2	FCS0220/3
YFM 250 BEAR TRAKER	250	2001 → 2004	FSS0209	FCD0220	FCD0220/1	FCS0220/2	FCS0220/3
YFM 250 BIG BEAR	250	2007 → 2010	FSS0209	FCD0220	FCD0220/1	FCS0220/2	FCS0220/3
YFM 250 W/A/B	250	1990 → 1992	FSS0209	FCD0220	FCD0220/1	FCS0220/2	FCS0220/3
YTZ 250 TRI MOTO	250	1985 → 1986	FSS0201	FCD0218	FCD0218/1	FCS0218/2	FCS0218/3
YFM 350 ERD/ERE/ERF	350	1992 → 1995	FSS0550	FCD0221	FCD0221/1	FCS0221/2	FCS0221/3
YFM 350 FW	350	1985 → 1995	FSS0550	FCD0221	FCD0221/1	FCS0221/2	FCS0221/3
YFM 350 FW BIG BEAR	350	1987 → 1988	FSS0550	FCD0221	FCD0221/1	FCS0221/2	FCS0221/3
YFM 350 FW BIG BEAR	350	1996 → 1998	FSS0548	FCD0221	FCD0221/1	FCS0221/2	FCS0221/3
YFM 350 FX WOLVERINE	350	1995 → 2004	FSS0553	FCD0208	FCD0208/1	FCS0208/2	FCS0208/3
YFM 350 R RAPTOR	350	2004 → 2009	FSS0550	FCD0221	FCD0221/1	FCS0221/2	FCS0221/3
YFM 350 UH/UJ/UK	350	1996 → 1998	FSS0548	FCD0221	FCD0221/1	FCS0221/2	FCS0221/3
YFM 350 X WARRIOR	350	1992 → 2004	FSS0550	FCD0221	FCD0221/1	FCS0221/2	FCS0221/3
YFU 350 TW/IW PRO HAULER	350	1989 → 1990	FSS0209	FCD0220	FCD0220/1	FCS0220/2	FCS0220/3
YFZ 350 BANSHEE	350	1990 → 2009	FSS0201	FCD0208	FCD0208/1	FCS0208/2	FCS0208/3
YZ 350 BANSHEE	350	1987 → 1989	FSS0201	FCD0208	FCD0208/1	FCS0208/2	FCS0208/3
YFM 400 FP BIG BEAR 4WD	400	2003 → 2004	FSS0548	FCD0221	FCD0221/1	FCS0221/2	FCS0221/3
YFM 400 FW KODIAK	400	1993 → 1999	FSS0548	FCD0221	FCD0221/1	FCS0221/2	FCS0221/3
YZ F 450	450	2006 → 2010	FSS0210	FCD0295		FCS0295/2	
YZF 450	450	2004 → 2005	FSS0203	FCD0295		FCS0295/2	
YFM 660 RAPTOR RN	660	2001 → 2005	FSS0530	FCD0223	FCD0223/1	FCS0223/2	FCS0223/3
YFM 700 RAPTOR	700	2006 → 2009	FSS0204	FCD0295		FCS0295/2	

FCDXXXX STANDARD FRICTION PLATES ONLY
 FCDXXXX/1 HIGH PERFORMANCE FRICTION PLATES ONLY
 FCSXXXX/2 STANDARD FRICTION PLATES + STEEL PLATES
 FCSXXXX/3 HIGH PERFORMANCE FRICTION PLATES + STEEL PLATES

FERODO
 MOTORCYCLE CLUTCHES
 Updated on 11th Oct 2013

20039



MOTORCYCLE CLUTCHES



CLUTCHES KIT XREF

Competitors to Ferodo



MOTORCYCLE CLUTCHES

CLUTCHES X-REF

COMPETITORS TO FERODO

EBC	Ferodo
CK 1105	FCD0108
CK 1107	FCD0167/1
CK 1119	FCS0132/3
CK 1130	FCD0154
CK 1132	FCD0674
CK 1134	FCD0119
CK 1135	FCD0120/1
CK 1140	FCD0111
CK 1141	FCD0237
CK 1144	FCD0133
CK 1145	FCD0134
CK 1146	FCD0162
CK 1147	FCD0135
CK 1148	FCD0179
CK 1149	FCD0126
CK 1150	FCD0104
CK 1151	FCD0123
CK 1152	FCS0101/3
CK 1153	FCS0126/2
CK 1156	FCD0103
CK 1159	FCD0101/1
CK 1163	FCS0101/2
CK 1165	FCS0120/3
CK 1166	FCD0189
CK 1177	FCD0159
CK 1180	FCD0105
CK 1181	FCD0129/1
CK 1183	FCD0122
CK 1186	FCD0180
CK 1190	FCD0107
CK 1191	FCD0106
CK 1193	FCD0140
CK 1194	FCD0112
CK 1196	FCD0236/1
CK 1206	FCD0137
CK 1210	FCS0142/3
CK 1218	FCS0675/2
CK 1219	FCS0675/3
CK 1220	FCD0143/1
CK 1221	FCD0182
CK 1222	FCD0110/1
CK 1224	FCD0171
CK 1229	FCD0181/1
CK 1230	FCS0142/2
CK 1234	FCD0442/1
CK 1247	FCS0676/2
CK 1248	FCD0430/1
CK 1250	FCD0171/1
CK 1252	FCD0450
CK 1253	FCD0122/1
CK 1257	FCD0235/1
CK 1264	FCD0238/1
CK 1265	FCD0239/1
CK 1266	FCD0234
CK 1284	FCS0234/2

EBC	Ferodo
CK 1285	FCD0235
CK 1287	FCD0240
CK 1289	FCD0234/1
CK 1290	FCS0111/2
CK 1291	FCS0132/2
CK 1292	FCD0157
CK 1293	FCD0186
CK 1294	FCD0133/1
CK 1295	FCD0138
CK 1307	FCD0139/1
CK 2203	FCS0220/2
CK 2206	FCD0680/1
CK 2207	FCS0231/2
CK 2208	FCS0221/3
CK 2209	FCD0218/1
CK 2223	FCD0266
CK 2226	FCD0224/1
CK 2230	FCD0202
CK 2235	FCD0209
CK 2236	FCS0218/2
CK 2238	FCD0231
CK 2240	FCS0223/3
CK 2242	FCS0680/3
CK 2244	FCD0225
CK 2245	FCD0218
CK 2250	FCD0212/1
CK 2255	FCD0216/1
CK 2256	FCS0220/3
CK 2261	FCD0206
CK 2267	FCS0212/2
CK 2269	FCS0208/2
CK 2273	FCD0213
CK 2274	FCD0260
CK 2276	FCD0315
CK 2279	FCD0678
CK 2280	FCD0228
CK 2281	FCD0212
CK 2283	FCD0204
CK 2287	FCD0217
CK 2290	FCD0678/1
CK 2291	FCD0255
CK 2295	FCD0240/1
CK 2297	FCD0270
CK 2299	FCD0315/1
CK 2300	FCD0208/1
CK 2302	FCD0220
CK 2305	FCD0220/1
CK 2308	FCD0232
CK 2309	FCD0215
CK 2310	FCD0277
CK 2311	FCS0218/3
CK 2312	FCD0263
CK 2313	FCS0243/2
CK 2315	FCD0241
CK 2316	FCD0242

EBC	Ferodo
CK 2317	FCD0243/1
CK 2318	FCD0244
CK 2319	FCS0245/3
CK 2321	FCS0246/3
CK 2324	FCD0264
CK 2325	FCD0264/1
CK 2327	FCS0247/2
CK 2331	FCS0247/3
CK 2332	FCS0249/2
CK 2334	FCD0224
CK 2335	FCD0248
CK 2336	FCD0251
CK 2337	FCS0251/2
CK 2339	FCD0251/1
CK 2342	FCD0272
CK 2347	FCD0280
CK 2348	FCD0205
CK 2349	FCD0281
CK 2350	FCS0272/2
CK 2351	FCD0233
CK 2352	FCD0337/1
CK 2354	FCD0366
CK 2355	FCD0375
CK 2356	FCD0331
CK 2358	FCS0233/3
CK 3306	FCD0323/1
CK 3311	FCD0305
CK 3312	FCS0326/3
CK 3315	FCS0313/3
CK 3316	FCD0326/1
CK 3318	FCS0308/3
CK 3319	FCS0322/3
CK 3321	FCS0326/2
CK 3324	FCD0313
CK 3326	FCD0326
CK 3330	FCS0314/3
CK 3331	FCS0313/2
CK 3333	FCS0334/3
CK 3334	FCD0330/1
CK 3335	FCD0310/1
CK 3337	FCD0327/1
CK 3338	FCD0324/1
CK 3340	FCS0308/2
CK 3343	FCD0333/1
CK 3344	FCS0333/3
CK 3345	FCD0313/1
CK 3346	FCS0320/2
CK 3347	FCD0320
CK 3348	FCD0317
CK 3349	FCD0306/1
CK 3349/R	FCD0351
CK 3351	FCD0306
CK 3353	FCD0307/1
CK 3357	FCS0321/3
CK 3358	FCD0343

CLUTCHES X-REF

COMPETITORS TO FERODO

EBC	Ferodo
CK 3359	FCD0349/1
CK 3364	FCD0371
CK 3366	FCD0367
CK 3367	FCD0309
CK 3372	FCD0359
CK 3373	FCD0318
CK 3375	FCD0318/1
CK 3377	FCD0362
CK 3378	FCD0355
CK 3380	FCD0345
CK 3381	FCD0309/1
CK 3382	FCS0342/2
CK 3384	FCD0334
CK 3385	FCD0352
CK 3386	FCS0304/3
CK 3387	FCD0304
CK 3388	FCD0328/1
CK 3389	FCD0316/1
CK 3390	FCD0364
CK 3400	FCS0151/3
CK 3401	FCD0184
CK 3402	FCD0146
CK 3403	FCD0147
CK 3428	FCD0366/1
CK 3430	FCD0368/1
CK 3432	FCD0370
CK 3433	FCD0370/1
CK 3435	FCD0374
CK 4409	FCS0440/2
CK 4411	FCD0440
CK 4419	FCS0425/3
CK 4421	FCS0406/3
CK 4424	FCD0436
CK 4425	FCD0426
CK 4434	FCD0454/1
CK 4438	FCS0420/3
CK 4439	FCS0417/2
CK 4442	FCD0409/1
CK 4443	FCD0406/1
CK 4452	FCD0417
CK 4457	FCS0419/2
CK 4459	FCS0420/2
CK 4463	FCD0424/1
CK 4465	FCD0424
CK 4468	FCD0404
CK 4469	FCD0422
CK 4473	FCD0435
CK 4475	FCD0448
CK 4477	FCD0405
CK 4478	FCD0411
CK 4479	FCD0704
CK 4481	FCS0423/2
CK 4482	FCD0414
CK 4484	FCD0421/1
CK 4485	FCD0423/1

EBC	Ferodo
CK 4486	FCS0409/3
CK 4488	FCD0428
CK 4489	FCD0428/1
CK 4493	FCD0441
CK 4494	FCD0441/1
CK 4503	FCS0267/3
CK 4505	FCD0284
CK 4508	FCD0287
CK 4509	FCD0418
CK 4511	FCD0425
CK 5594	FCD0566
CK 6601	FCS0586/3
CK 6604	FCS0503/3
CK 6605	FCD0503/1
CK 6606 MP	FCD0584
CK 6610	FCD0573
CK 6610 MP	FCS0573/2
CK 6612	FCD0617
CK 6613	FCS0662/2
CK 6613 MP	FCD0671
CK 6614 MP	FCD0531
CK 6615	FCD0554
CK 6618 MP	FCD0637
CK 6619	FCD0646
CK 6621 MP	FCD0592
CK 6622	FCD0577
CK 6622 MP	FCS0577/2
CK 6628	FCS0538/2
CK 6630 MP	FCD0662
CK 6680	FCS0502/3
CK 6680 R	FCS0504/3
CK 6681 R	FCS0501/3
CSK 01	FSS0111
CSK 02	FSS0406
CSK 03	FSS0112
CSK 04	FSS0303
CSK 06	FSS0304
CSK 07	FSS0305
CSK 08	FSS0113
CSK 09	FSS0114
CSK 10	FSS0407
CSK 101	FSS0214
CSK 11	FSS0115
CSK 12	FSS0306
CSK 13	FSS0116
CSK 14	FSS0307
CSK 15	FSS0408
CSK 16	FSS0308
CSK 17	FSS0204
CSK 18	FSS0409
CSK 19	FSS0205
CSK 20	FSS0410
CSK 21	FSS0117
CSK 22	FSS0206
CSK 23	FSS0118

EBC	Ferodo
CSK 24	FSS0125
CSK 25	FSS0309
CSK 26	FSS0207
CSK 27	FSS0119
CSK 28	FSS0120
CSK 29	FSS0208
CSK 31	FSS0209
CSK 32	FSS0310
CSK 34	FSS0320
CSK 35	FSS0411
CSK 36	FSS0210
CSK 37	FSS0212
CSK 39	FSS0311
CSK 40	FSS0412
CSK 42	FSS0413
CSK 43	FSS0126
CSK 44	FSS0414
CSK 45	FSS0312
CSK 46	FSS0313
CSK 48	FSS0314
CSK 49	FSS0315
CSK 52	FSS0415
CSK 53	FSS0316
CSK 54	FSS0123
CSK 55	FSS0317
CSK 56	FSS0318
CSK 58	FSS0211
CSK 59	FSS0127
CSK 60	FSS0501
CSK 62	FSS0124
CSK 63	FSS0215
CSK 65	FSS0213
CSK 66	FSS0319
CSK 67	FSS0417
CSK 70	FSS0502
CSK 71	FSS0508
CSK 72	FSS0505
CSK 74	FSS0510
CSK 75	FSS0514
CSK 77	FSS0504
CSK 78	FSS0516
CSK 81	FSS0506
CSK 82	FSS0519
CSK 88	FSS0518
CSK 91	FSS0515
CSK 92	FSS0131
CSK 93	FSS0509
CSK 97	FSS0513
CSK 99	FSS0507
NEWFREN	Ferodo
.F.1167	FCD0721
.F.1167 AC	FCS0721/2
.F.1168	FCD0722
.F.1168 AC	FCS0722/2

CLUTCHES X-REF

COMPETITORS TO FERODO

NEWFREN	Ferodo
.F.1169	FCD0723
.F.1169 AC	FCS0723/2
.F.1170	FCD0724
.F.1170 AC	FCS0724/2
.F.1171	FCD0725
.F.1171 AC	FCS0725/2
.F.1172	FCD0683
.F.1173	FCD0500
.F.1174	FCD0600
.F.1175	FCD0508
.F.1176	FCD0514
.F.1177	FCD0602
.F.1178	FCD0518
.F.1178 AC	FCS0518/2
.F.1178 R	FCD0518/1
.F.1178 SR	FCS0518/3
.F.1179	FCD0507
.F.1179 AC	FCS0507/2
.F.1180	FCD0607
.F.1180 AC	FCS0607/2
.F.1181	FCD0601
.F.1184	FCD0536
.F.1185	FCD0542
.F.1186	FCD0623
.F.1186 AC	FCS0623/2
.F.1187	FCD0506
.F.1188	FCD0509
.F.1188 AC	FCS0509/2
.F.1188 R	FCD0509/1
.F.1188 SR	FCS0509/3
.F.1189	FCD0510
.F.1189 AC	FCS0510/2
.F.1191	FCD0554
.F.1191 AC	FCS0554/2
.F.1192	FCD0578
.F.1192 AC	FCS0578/2
.F.1193	FCD0511
.F.1194	FCD0611
.F.1195	FCD0515
.F.1196	FCD0535
.F.1199	FCD0604
.F.1200	FCD0579
.F.1306	FCD0555
.F.1307	FCD0596
.F.1309	FCD0631
.F.1313	FCD0517
.F.1314	FCD0644
.F.1315	FCD0638
.F.1316	FCD0647
.F.1401	FCD0612
.F.1402	FCD0543
.F.1403	FCD0571
.F.1404	FCD0513
.F.1406	FCD0537
.F.1406 R	FCD0537/1

NEWFREN	Ferodo
.F.1407	FCD0556
.F.1407 R	FCD0556/1
.F.1408	FCD0516
.F.1408 AC	FCS0516/2
.F.1408 R	FCD0516/1
.F.1408 SR	FCS0516/3
.F.1409	FCD0580
.F.1409 AC	FCS0580/2
.F.1409 SR	FCS0580/3
.F.1410	FCD0598
.F.1410 AC	FCS0598/2
.F.1411	FCD0557
.F.1411 AC	FCS0557/2
.F.1411 R	FCD0557/1
.F.1411 SR	FCS0557/3
.F.1412	FCD0581
.F.1412 AC	FCS0581/2
.F.1412 R	FCD0581/1
.F.1412 SR	FCS0581/3
.F.1413	FCD0625
.F.1414	FCD0538
.F.1414 AC	FCS0538/2
.F.1414 R	FCD0538/1
.F.1414 SR	FCS0538/3
.F.1415	FCD0599
.F.1415 AC	FCS0599/2
.F.1415 R	FCD0599/1
.F.1415 SR	FCS0599/3
.F.1416	FCD0544
.F.1417	FCD0633
.F.1417 AC	FCS0633/2
.F.1417 R	FCD0633/1
.F.1417 SR	FCS0633/3
.F.1418 R	FCD0558/1
.F.1418 SR	FCS0558/3
.F.1419	FCD0682
.F.1419 AC	FCS0682/2
.F.1419 R	FCD0682/1
.F.1419 SR	FCS0682/3
.F.1420	FCD0615
.F.1420 AC	FCS0615/2
.F.1420 R	FCD0615/1
.F.1420 SR	FCS0615/3
.F.1421	FCD0523
.F.1421 AC	FCS0523/2
.F.1421 R	FCD0523/1
.F.1421 SR	FCS0523/3
.F.1422 AC	FCS0524/2
.F.1423 AC	FCS0534/2
.F.1424 AC	FCS0582/2
.F.1425 AC	FCS0605/2
.F.1426 AC	FCS0616/2
.F.1427 AC	FCS0626/2
.F.1428 AC	FCS0649/2
.F.1429 AC	FCS0659/2

NEWFREN	Ferodo
.F.1430 AC	FCS0663/2
.F.1431 AC	FCS0667/2
.F.1432 AC	FCS0651/2
.F.1433 AC	FCS0583/2
.F.1434	FCD0684
.F.1434 AC	FCS0684/2
.F.1434 R	FCD0684/1
.F.1434 SR	FCS0684/3
.F.1435 R	FCD0685/1
.F.1436 R	FCD0739/1
.F.1436 SR	FCS0739/3
.F.1437 R	FCD0740/1
.F.1437 SR	FCS0740/3
.F.1438	FCD0741
.F.1438 R	FCD0741/1
.F.1439 R	FCD0742/1
.F.1440 AC	FCS0743/2
.F.1441 AC	FCS0744/2
.F.1442 AC	FCS0745/2
.F.1443 AC	FCS0746/2
.F.1444 AC	FCS0747/2
.F.1445 AC	FCS0748/2
.F.1446 AC	FCS0749/2
.F.1456	FCD0519
.F.1456 AC	FCS0519/2
.F.1457	FCD0606
.F.1457 AC	FCS0606/2
.F.1458	FCD0634
.F.1458 AC	FCS0634/2
.F.1459	FCD0528
.F.1459 AC	FCS0528/2
.F.1460	FCD0584
.F.1460 AC	FCS0584/2
.F.1473	FCD0545
.F.1473 AC	FCS0545/2
.F.1474	FCD0645
.F.1475	FCD0585
.F.1475 AC	FCS0585/2
.F.1475 R	FCD0585/1
.F.1475 SR	FCS0585/3
.F.1480	FCD0728
.F.1480 AC	FCS0728/2
.F.1481	FCD0658
.F.1482	FCD0560
.F.1483 R	FCD0729/1
.F.1483 SR	FCS0729/3
.F.1485 R	FCD0731/1
.F.1485 SR	FCS0731/3
.F.1486 R	FCD0730/1
.F.1486 SR	FCS0730/3
.F.1487	FCD0737
.F.1487 R	FCD0737/1
.F.1488	FCD0738
.F.1489	FCD0720
.F.1489 AC	FCS0720/2

CLUTCHES X-REF

COMPETITORS TO FERODO

NEWFREN	Ferodo
.F.1490	FCD0617
.F.1491	FCD0627
.F.1492	FCD0657
.F.1493	FCD0540
.F.1494	FCD0652
.F.1495	FCD0529
.F.1496	FCD0641
.F.1496 AC	FCS0641/2
.F.1496 R	FCD0641/1
.F.1496 SR	FCS0641/3
.F.1497	FCD0653
.F.1498	FCD0586
.F.1498 AC	FCS0586/2
.F.1498 R	FCD0586/1
.F.1498 SR	FCS0586/3
.F.1499	FCD0688
.F.1499 AC	FCS0688/2
.F.1499 R	FCD0688/1
.F.1499 SR	FCS0688/3
.F.1501 R	FCD0503/1
.F.1501 SR	FCS0503/3
.F.1502 R	FCD0501/1
.F.1502 SR	FCS0501/3
.F.1503 R	FCD0502/1
.F.1503 SR	FCS0502/3
.F.1504 R	FCD0504/1
.F.1504 SR	FCS0504/3
.F.1505 R	FCD0505/1
.F.1505 SR	FCS0505/3
.F.1506 R	FCD0654/1
.F.1506 SR	FCS0654/3
.F.1507 R	FCD0673/1
.F.1507 SR	FCS0673/3
.F.1509 R	FCD0707/1
.F.1509 SR	FCS0707/3
.F.1510 R	FCD0708/1
.F.1510 SR	FCS0708/3
.F.1511	FCD0705
.F.1511 AC	FCS0705/2
.F.1513 R	FCD0709/1
.F.1513 SR	FCS0709/3
.F.1514 R	FCD0710/1
.F.1514 SR	FCS0710/3
.F.1515 R	FCD0711/1
.F.1515 SR	FCS0711/3
.F.1516 R	FCD0712/1
.F.1516 SR	FCS0712/3
.F.1517 R	FCD0713/1
.F.1517 SR	FCS0713/3
.F.1518	FCD0689
.F.1518 R	FCD0689/1
.F.1519	FCD0547
.F.1520	FCD0618
.F.1521	FCD0635
.F.1522	FCD0587

NEWFREN	Ferodo
.F.1524	FCD0541
.F.1525	FCD0628
.F.1525 AC	FCS0628/2
.F.1526	FCD0530
.F.1526 AC	FCS0530/2
.F.1527	FCD0572
.F.1527 AC	FCS0572/2
.F.1528	FCD0548
.F.1528 AC	FCS0548/2
.F.1529	FCD0636
.F.1529 AC	FCS0636/2
.F.1530	FCD0619
.F.1530 AC	FCS0619/2
.F.1530 R	FCD0619/1
.F.1530 SR	FCS0619/3
.F.1531	FCD0642
.F.1532	FCD0573
.F.1532 AC	FCS0573/2
.F.1533	FCD0588
.F.1533 AC	FCS0588/2
.F.1533 R	FCD0588/1
.F.1533 SR	FCS0588/3
.F.1534	FCD0715
.F.1534 AC	FCS0715/2
.F.1535	FCD0717
.F.1535 AC	FCS0717/2
.F.1536	FCD0716
.F.1536 AC	FCS0716/2
.F.1537	FCD0648
.F.1539	FCD0531
.F.1540	FCD0608
.F.1540 AC	FCS0608/2
.F.1540 R	FCD0608/1
.F.1540 SR	FCS0608/3
.F.1541	FCD0643
.F.1541 AC	FCS0643/2
.F.1542	FCD0564
.F.1543	FCD0574
.F.1543 AC	FCS0574/2
.F.1543 R	FCD0574/1
.F.1543 SR	FCS0574/3
.F.1544	FCD0549
.F.1545	FCD0672
.F.1545 AC	FCS0672/2
.F.1546	FCD0655
.F.1547	FCD0589
.F.1548	FCD0668
.F.1549	FCD0532
.F.1553	FCD0660
.F.1553 AC	FCS0660/2
.F.1560	FCD0664
.F.1561 R	FCD0561/1
.F.1561 SR	FCS0561/3
.F.1562	FCD0661
.F.1562 AC	FCS0661/2

NEWFREN	Ferodo
.F.1565	FCD0665
.F.1565 AC	FCS0665/2
.F.1566	FCD0620
.F.1566 AC	FCS0620/2
.F.1567	FCD0568
.F.1567 AC	FCS0568/2
.F.1568	FCD0662
.F.1568 AC	FCS0662/2
.F.1569	FCD0671
.F.1569 AC	FCS0671/2
.F.1570	FCD0669
.F.1570 AC	FCS0669/2
.F.1574	FCD0567
.F.1575/3	FCD0591
.F.1575/5	FCD0656
.F.1576/2	FCD0566
.F.1576/3	FCD0666
.F.1577	FCD0630
.F.1578	FCD0670
.F.1580	FCD0637
.F.1581	FCD0646
.F.1584	FCD0592
.F.1584 R	FCD0592/1
.F.1585	FCD0577
.F.1585 AC	FCS0577/2
.F.1586	FCD0552
.F.1588	FCD0706
.F.1588 AC	FCS0706/2
.F.1589	FCD0621
.F.1590	FCD0614
.F.1590 AC	FCS0614/2
.F.1590 R	FCD0614/1
.F.1590 SR	FCS0614/3
.F.1591	FCD0593
.F.1591 AC	FCS0593/2
.F.1591 R	FCD0593/1
.F.1591 SR	FCS0593/3
.F.1592	FCD0610
.F.1592 AC	FCS0610/2
.F.1593	FCD0594
.F.1593 AC	FCS0594/2
.F.1593 R	FCD0594/1
.F.1593 SR	FCS0594/3
.F.1594	FCD0629
.F.1595	FCD0553
.F.1596	FCD0622
.F.1597	FCD0613
.F.1598	FCD0533
.F.1599	FCD0525
.F.1600	FCD0152
.F.1600 R	FCD0152/1
.F.1601	FCD0161
.F.1602	FCD0130
.F.1603	FCD0165
.F.1604	FCD0175

CLUTCHES X-REF

COMPETITORS TO FERODO

NEWFREN	Ferodo
.F.1604 R	FCD0175/1
.F.1605	FCD0117
.F.1606	FCD0115
.F.1607	FCD0114
.F.1608	FCD0191
.F.1609	FCD0153
.F.1609 R	FCD0153/1
.F.1610	FCD0166
.F.1610 R	FCD0166/1
.F.1612	FCD0176
.F.1613	FCD0192
.F.1615	FCD0102
.F.1616	FCD0190
.F.1616 R	FCD0190/1
.F.1617	FCD0150
.F.1620	FCD0112
.F.1622	FCD0122
.F.1622 R	FCD0122/1
.F.1623	FCD0101
.F.1623 AC	FCS0101/2
.F.1623 R	FCD0101/1
.F.1623 SR	FCS0101/3
.F.1625	FCD0119
.F.1625 R	FCD0119/1
.F.1626	FCD0154
.F.1627	FCD0167
.F.1627 R	FCD0167/1
.F.1628	FCD0108
.F.1629	FCD0111
.F.1629 AC	FCS0111/2
.F.1630	FCD0132
.F.1630 AC	FCS0132/2
.F.1630 R	FCD0132/1
.F.1630 SR	FCS0132/3
.F.1631	FCD0120
.F.1631 AC	FCS0120/2
.F.1631 R	FCD0120/1
.F.1631 SR	FCS0120/3
.F.1633	FCD0126
.F.1633 AC	FCS0126/2
.F.1633 R	FCD0126/1
.F.1633 SR	FCS0126/3
.F.1634	FCD0136
.F.1634 AC	FCS0136/2
.F.1634 R	FCD0136/1
.F.1634 SR	FCS0136/3
.F.1637	FCD0118
.F.1637 R	FCD0118/1
.F.1638	FCD0125
.F.1638 R	FCD0125/1
.F.1639	FCD0107
.F.1640	FCD0113
.F.1641	FCD0109
.F.1642	FCD0124
.F.1642 R	FCD0124/1

NEWFREN	Ferodo
.F.1643	FCD0127
.F.1643 R	FCD0127/1
.F.1644	FCD0110
.F.1644 R	FCD0110/1
.F.1645	FCD0155
.F.1645 R	FCD0155/1
.F.1646	FCD0168
.F.1646 R	FCD0168/1
.F.1647	FCD0178
.F.1648	FCD0156
.F.1648 R	FCD0156/1
.F.1649	FCD0189
.F.1650	FCD0129
.F.1650 R	FCD0129/1
.F.1651	FCD0188
.F.1652	FCD0179
.F.1653	FCD0103
.F.1654	FCD0104
.F.1655	FCD0105
.F.1655 R	FCD0105/1
.F.1656	FCD0106
.F.1656 R	FCD0106/1
.F.1657	FCD0193
.F.1658	FCD0194
.F.1658 AC	FCS0194/2
.F.1660	FCD0195
.F.1661	FCD0123
.F.1661 R	FCD0123/1
.F.1662	FCD0157
.F.1662 R	FCD0157/1
.F.1663	FCD0674
.F.1663 R	FCD0674/1
.F.1665	FCD0133
.F.1665 R	FCD0133/1
.F.1667	FCD0139
.F.1667 R	FCD0139/1
.F.1668	FCD0140
.F.1671	FCD0141
.F.1672	FCD0138
.F.1674	FCD0134
.F.1675	FCD0162
.F.1675 R	FCD0162/1
.F.1676	FCD0135
.F.1676 R	FCD0135/1
.F.1677	FCD0159
.F.1677 R	FCD0159/1
.F.1678	FCD0180
.F.1679	FCD0160
.F.1680	FCD0170
.F.1680 R	FCD0170/1
.F.1681	FCD0137
.F.1683	FCD0181
.F.1683 R	FCD0181/1
.F.1684	FCD0142
.F.1684 AC	FCS0142/2

NEWFREN	Ferodo
.F.1684 R	FCD0142/1
.F.1684 SR	FCS0142/3
.F.1685	FCD0675
.F.1685 AC	FCS0675/2
.F.1685 R	FCD0675/1
.F.1685 SR	FCS0675/3
.F.1686	FCD0143
.F.1686 R	FCD0143/1
.F.1687	FCD0182
.F.1693	FCD0171
.F.1693 R	FCD0171/1
.F.1697	FCD0676
.F.1697 AC	FCS0676/2
.F.1697 R	FCD0676/1
.F.1697 SR	FCS0676/3
.F.1698	FCD0183
.F.1698 R	FCD0183/1
.F.1699	FCD0677
.F.1699 AC	FCS0677/2
.F.1699 R	FCD0677/1
.F.1699 SR	FCS0677/3
.F.1700	FCD0432
.F.1700 R	FCD0432/1
.F.1701	FCD0430
.F.1701 R	FCD0430/1
.F.1702	FCD0442
.F.1702 R	FCD0442/1
.F.1703	FCD0431
.F.1703 R	FCD0431/1
.F.1704	FCD0450
.F.1704 R	FCD0450/1
.F.1705	FCD0455
.F.1705 AC	FCS0455/2
.F.1706	FCD0456
.F.1706 AC	FCS0456/2
.F.1708	FCD0457
.F.1708 AC	FCS0457/2
.F.1709	FCD0458
.F.1710	FCD0459
.F.1711	FCD0460
.F.1712	FCD0403
.F.1720	FCD0415
.F.1720 AC	FCS0415/2
.F.1720 R	FCD0415/1
.F.1720 SR	FCS0415/3
.F.1721	FCD0451
.F.1726	FCD0418
.F.1728	FCD0461
.F.1729	FCD0462
.F.1729 AC	FCS0462/2
.F.1732	FCD0425
.F.1732 AC	FCS0425/2
.F.1732 R	FCD0425/1
.F.1732 SR	FCS0425/3
.F.1734	FCD0433

CLUTCHES X-REF

COMPETITORS TO FERODO

NEWFREN	Ferodo
.F.1734 R	FCD0433/1
.F.1735	FCD0444
.F.1736	FCD0416
.F.1737	FCD0434
.F.1738	FCD0412
.F.1739	FCD0410
.F.1741	FCD0424
.F.1741 R	FCD0424/1
.F.1742	FCD0423
.F.1742 AC	FCS0423/2
.F.1742 R	FCD0423/1
.F.1742 SR	FCS0423/3
.F.1743	FCD0445
.F.1743 AC	FCS0445/2
.F.1743 R	FCD0445/1
.F.1743 SR	FCS0445/3
.F.1744	FCD0421
.F.1744 R	FCD0421/1
.F.1746	FCD0419
.F.1746 AC	FCS0419/2
.F.1747	FCD0417
.F.1747 AC	FCS0417/2
.F.1748	FCD0414
.F.1748 R	FCD0414/1
.F.1750	FCD0411
.F.1750 AC	FCS0411/2
.F.1751	FCD0408
.F.1751 R	FCD0408/1
.F.1752	FCD0405
.F.1752 AC	FCS0405/2
.F.1752 R	FCD0405/1
.F.1752 SR	FCS0405/3
.F.1753	FCD0435
.F.1755	FCD0446
.F.1756	FCD0404
.F.1756 R	FCD0404/1
.F.1757	FCD0420
.F.1757 AC	FCS0420/2
.F.1757 R	FCD0420/1
.F.1757 SR	FCS0420/3
.F.1759	FCD0454
.F.1759 AC	FCS0454/2
.F.1759 R	FCD0454/1
.F.1759 SR	FCS0454/3
.F.1760	FCD0436
.F.1761	FCD0447
.F.1761 R	FCD0447/1
.F.1762	FCD0406
.F.1762 AC	FCS0406/2
.F.1762 R	FCD0406/1
.F.1762 SR	FCS0406/3
.F.1763	FCD0407
.F.1764	FCD0422
.F.1764 AC	FCS0422/2
.F.1764 R	FCD0422/1

NEWFREN	Ferodo
.F.1764 SR	FCS0422/3
.F.1767	FCD0437
.F.1770	FCD0116
.F.1771	FCD0402
.F.1772	FCD0409
.F.1772 AC	FCS0409/2
.F.1772 R	FCD0409/1
.F.1772 SR	FCS0409/3
.F.1773	FCD0413
.F.1775	FCD0426
.F.1777	FCD0438
.F.1777 R	FCD0438/1
.F.1781	FCD0427
.F.1786	FCD0448
.F.1786 AC	FCS0448/2
.F.1786 R	FCD0448/1
.F.1786 SR	FCS0448/3
.F.1787	FCD0440
.F.1787 AC	FCS0440/2
.F.1787 R	FCD0440/1
.F.1787 SR	FCS0440/3
.F.1792	FCD0428
.F.1792 R	FCD0428/1
.F.1794	FCD0429
.F.1795	FCD0441
.F.1795 R	FCD0441/1
.F.1796	FCD0449
.F.1798	FCD0704
.F.1798 AC	FCS0704/2
.F.1798 R	FCD0704/1
.F.1798 SR	FCS0704/3
.F.1799	FCD0463
.F.1800	FCD0252
.F.1800 R	FCD0252/1
.F.1801	FCD0267
.F.1801 AC	FCS0267/2
.F.1801 R	FCD0267/1
.F.1801 SR	FCS0267/3
.F.1803	FCD0279
.F.1804	FCD0284
.F.1805	FCD0287
.F.1805 R	FCD0287/1
.F.1806	FCD0286
.F.1806 R	FCD0286/1
.F.1811	FCD0285
.F.1811 R	FCD0285/1
.F.1815	FCD0214
.F.1816	FCD0227
.F.1817	FCD0226
.F.1817 R	FCD0226/1
.F.1819	FCD0268
.F.1820	FCD0213
.F.1821	FCD0211
.F.1822	FCD0280
.F.1822 R	FCD0280/1

NEWFREN	Ferodo
.F.1823	FCD0210
.F.1825	FCD0254
.F.1826	FCD0205
.F.1828	FCD0281
.F.1830	FCD0233
.F.1830 AC	FCS0233/2
.F.1830 R	FCD0233/1
.F.1830 SR	FCS0233/3
.F.1831	FCD0208
.F.1831 AC	FCS0208/2
.F.1831 R	FCD0208/1
.F.1831 SR	FCS0208/3
.F.1832	FCD0255
.F.1836	FCD0212
.F.1836 AC	FCS0212/2
.F.1836 R	FCD0212/1
.F.1836 SR	FCS0212/3
.F.1837	FCD0218
.F.1837 AC	FCS0218/2
.F.1837 R	FCD0218/1
.F.1837 SR	FCS0218/3
.F.1838	FCD0223
.F.1838 AC	FCS0223/2
.F.1838 R	FCD0223/1
.F.1838 SR	FCS0223/3
.F.1840	FCD0230
.F.1840 R	FCD0230/1
.F.1842	FCD0216
.F.1842 AC	FCS0216/2
.F.1842 R	FCD0216/1
.F.1842 SR	FCS0216/3
.F.1843	FCD0207
.F.1844	FCD0256
.F.1844 R	FCD0256/1
.F.1845	FCD0228
.F.1845 AC	FCS0228/2
.F.1845 R	FCD0228/1
.F.1845 SR	FCS0228/3
.F.1846	FCD0270
.F.1848	FCD0201
.F.1849	FCD0283
.F.1850	FCD0257
.F.1852	FCD0232
.F.1852 AC	FCS0232/2
.F.1852 R	FCD0232/1
.F.1852 SR	FCS0232/3
.F.1853	FCD0258
.F.1855	FCD0278
.F.1856	FCD0231
.F.1856 AC	FCS0231/2
.F.1856 R	FCD0231/1
.F.1856 SR	FCS0231/3
.F.1857	FCD0220
.F.1857 AC	FCS0220/2
.F.1857 R	FCD0220/1

CLUTCHES X-REF

COMPETITORS TO FERODO

NEWFREN	Ferodo
.F.1857 SR	FCS0220/3
.F.1858	FCD0277
.F.1859	FCD0259
.F.1859 R	FCD0259/1
.F.1860	FCD0203
.F.1860 R	FCD0203/1
.F.1862	FCD0204
.F.1863	FCD0206
.F.1864	FCD0215
.F.1864 AC	FCS0215/2
.F.1864 R	FCD0215/1
.F.1864 SR	FCS0215/3
.F.1865	FCD0217
.F.1865 R	FCD0217/1
.F.1866	FCD0221
.F.1866 AC	FCS0221/2
.F.1866 R	FCD0221/1
.F.1866 SR	FCS0221/3
.F.1867	FCD0224
.F.1867 AC	FCS0224/2
.F.1867 R	FCD0224/1
.F.1867 SR	FCS0224/3
.F.1868	FCD0202
.F.1869	FCD0291
.F.1870	FCD0209
.F.1871	FCD0260
.F.1872	FCD0292
.F.1873	FCD0229
.F.1873 R	FCD0229/1
.F.1875	FCD0219
.F.1875 R	FCD0219/1
.F.1876	FCD0261
.F.1877	FCD0293
.F.1880	FCD0294
.F.1882	FCD0271
.F.1882 R	FCD0271/1
.F.1889	FCD0678
.F.1889 AC	FCS0678/2
.F.1889 R	FCD0678/1
.F.1889 SR	FCS0678/3
.F.1891	FCD0295
.F.1891 AC	FCS0295/2
.F.1892	FCD0679
.F.1892 AC	FCS0679/2
.F.1892 R	FCD0679/1
.F.1892 SR	FCS0679/3
.F.1893	FCD0296
.F.1894	FCD0680
.F.1894 AC	FCS0680/2
.F.1894 R	FCD0680/1
.F.1894 SR	FCS0680/3
.F.1896	FCD0266
.F.1897	FCD0225
.F.1897 R	FCD0225/1
.F.1898	FCD0262

NEWFREN	Ferodo
.F.1900	FCD0347
.F.1900 R	FCD0347/1
.F.1901	FCD0340
.F.1901 R	FCD0340/1
.F.1902	FCD0360
.F.1903	FCD0363
.F.1903 AC	FCS0363/2
.F.1903 R	FCD0363/1
.F.1903 SR	FCS0363/3
.F.1904	FCD0369
.F.1904 R	FCD0369/1
.F.1905	FCD0353
.F.1906	FCD0378
.F.1906 AC	FCS0378/2
.F.1906 R	FCD0378/1
.F.1906 SR	FCS0378/3
.F.1907	FCD0379
.F.1907 R	FCD0379/1
.F.1908	FCD0380
.F.1909	FCD0381
.F.1910	FCD0382
.F.1915	FCD0383
.F.1916	FCD0315
.F.1916 R	FCD0315/1
.F.1919	FCD0384
.F.1921	FCD0341
.F.1922	FCD0366
.F.1922 R	FCD0366/1
.F.1924	FCD0368
.F.1924 R	FCD0368/1
.F.1928	FCD0385
.F.1929	FCD0386
.F.1930	FCD0387
.F.1930 AC	FCS0387/2
.F.1931	FCD0388
.F.1931 AC	FCS0388/2
.F.1932	FCD0389
.F.1932 AC	FCS0389/2
.F.1934	FCD0370
.F.1934 R	FCD0370/1
.F.1935	FCD0325
.F.1935 R	FCD0325/1
.F.1936	FCD0361
.F.1937	FCD0374
.F.1938	FCD0323
.F.1938 R	FCD0323/1
.F.1939	FCD0391
.F.1940	FCD0321
.F.1940 AC	FCS0321/2
.F.1940 R	FCD0321/1
.F.1940 SR	FCS0321/3
.F.1941	FCD0319
.F.1942	FCD0318
.F.1942 R	FCD0318/1
.F.1943	FCD0328

NEWFREN	Ferodo
.F.1943 R	FCD0328/1
.F.1944	FCD0316
.F.1944 R	FCD0316/1
.F.1946	FCD0352
.F.1947	FCD0342
.F.1947 AC	FCS0342/2
.F.1947 R	FCD0342/1
.F.1948	FCD0345
.F.1949	FCD0355
.F.1950	FCD0362
.F.1950 R	FCD0362/1
.F.1951	FCD0359
.F.1951 R	FCD0359/1
.F.1952	FCD0365
.F.1952 R	FCD0365/1
.F.1953	FCD0346
.F.1954	FCD0367
.F.1955	FCD0371
.F.1956	FCD0373
.F.1957	FCD0364
.F.1958	FCD0354
.F.1959	FCD0343
.F.1960	FCD0358
.F.1961	FCD0306
.F.1961 R	FCD0306/1
.F.1962	FCD0312
.F.1963	FCD0351
.F.1964	FCD0320
.F.1964 AC	FCS0320/2
.F.1965	FCD0324
.F.1965 R	FCD0324/1
.F.1966	FCD0327
.F.1966 R	FCD0327/1
.F.1968	FCD0330
.F.1968 R	FCD0330/1
.F.1969	FCD0326
.F.1969 AC	FCS0326/2
.F.1969 R	FCD0326/1
.F.1969 SR	FCS0326/3
.F.1970	FCD0305
.F.1971	FCD0313
.F.1971 AC	FCS0313/2
.F.1971 R	FCD0313/1
.F.1971 SR	FCS0313/3
.F.1972	FCD0309
.F.1972 R	FCD0309/1
.F.1973	FCD0304
.F.1973 AC	FCS0304/2
.F.1973 R	FCD0304/1
.F.1973 SR	FCS0304/3
.F.1974	FCD0314
.F.1974 AC	FCS0314/2
.F.1974 R	FCD0314/1
.F.1974 SR	FCS0314/3
.F.1975	FCD0317

CLUTCHES X-REF

COMPETITORS TO FERODO

NEWFREN	Ferodo
.F.1975 R	FCD0317/1
.F.1978	FCD0392
.F.1979	FCD0310
.F.1979 R	FCD0310/1
.F.1980	FCD0301
.F.1980 R	FCD0301/1
.F.1981	FCD0302
.F.1981 R	FCD0302/1
.F.1982	FCD0303
.F.1983	FCD0372
.F.1984	FCD0311
.F.1985	FCD0349
.F.1985 R	FCD0349/1
.F.1987	FCD0307
.F.1987 R	FCD0307/1
.F.1988	FCD0308
.F.1988 AC	FCS0308/2
.F.1988 R	FCD0308/1
.F.1988 SR	FCS0308/3
.F.1990	FCD0322
.F.1990 AC	FCS0322/2
.F.1990 R	FCD0322/1
.F.1990 SR	FCS0322/3
.F.1991	FCD0393
.F.1992	FCD0394
.F.1993	FCD0395
.F.1994	FCD0332
.F.1994 R	FCD0332/1
.F.1996	FCD0333
.F.1996 AC	FCS0333/2
.F.1996 R	FCD0333/1
.F.1996 SR	FCS0333/3
.F.1997	FCD0334
.F.1997 AC	FCS0334/2
.F.1997 R	FCD0334/1
.F.1997 SR	FCS0334/3
.F.1998	FCD0335
.F.1998 R	FCD0335/1
.F.2602	FCD0151
.F.2602 AC	FCS0151/2
.F.2602 R	FCD0151/1
.F.2602 SR	FCS0151/3
.F.2609	FCD0131
.F.2609 AC	FCS0131/2
.F.2609 R	FCD0131/1
.F.2609 SR	FCS0131/3
.F.2623	FCD0196
.F.2631	FCD0197
.F.2632	FCD0198
.F.2633	FCD0199
.F.2635	FCD1101
.F.2636	FCD1102
.F.2636 AC	FCS1102/2
.F.2637	FCD1103
.F.2637 AC	FCS1103/2

NEWFREN	Ferodo
.F.2638	FCD1104
.F.2639	FCD1105
.F.2639 AC	FCS1105/2
.F.2640	FCD1106
.F.2644	FCD0184
.F.2647	FCD0144
.F.2647 R	FCD0144/1
.F.2654	FCD0145
.F.2654 R	FCD0145/1
.F.2655	FCD0146
.F.2666	FCD1107
.F.2666 AC	FCS1107/2
.F.2666 R	FCD1107/1
.F.2666 SR	FCS1107/3
.F.2676	FCD0147
.F.2678	FCD0149
.F.2679	FCD0186
.F.2679 R	FCD0186/1
.F.2680	FCD0174
.F.2700	FCD0464
.F.2701	FCD0465
.F.2701 AC	FCS0465/2
.F.2805	FCD0222
.F.2805 R	FCD0222/1
.F.2809	FCD0236
.F.2809 R	FCD0236/1
.F.2810	FCD0237
.F.2810 R	FCD0237/1
.F.2811	FCD0235
.F.2811 R	FCD0235/1
.F.2812	FCD0238
.F.2812 R	FCD0238/1
.F.2813	FCD0239
.F.2813 R	FCD0239/1
.F.2814	FCD0234
.F.2814 AC	FCS0234/2
.F.2814 R	FCD0234/1
.F.2814 SR	FCS0234/3
.F.2815	FCD0240
.F.2815 AC	FCS0240/2
.F.2815 R	FCD0240/1
.F.2815 SR	FCS0240/3
.F.2817	FCD0241
.F.2817 R	FCD0241/1
.F.2820	FCD0242
.F.2821	FCD0243
.F.2821 AC	FCS0243/2
.F.2821 R	FCD0243/1
.F.2821 SR	FCS0243/3
.F.2823	FCD0244
.F.2823 R	FCD0244/1
.F.2827	FCD0263
.F.2827 R	FCD0263/1
.F.2828	FCD0297
.F.2830	FCD0245

NEWFREN	Ferodo
.F.2830 AC	FCS0245/2
.F.2830 R	FCD0245/1
.F.2830 SR	FCS0245/3
.F.2836	FCD0246
.F.2836 AC	FCS0246/2
.F.2836 R	FCD0246/1
.F.2836 SR	FCS0246/3
.F.2837	FCD0273
.F.2838	FCD0264
.F.2838 R	FCD0264/1
.F.2842	FCD0275
.F.2843	FCD0247
.F.2843 AC	FCS0247/2
.F.2843 R	FCD0247/1
.F.2843 SR	FCS0247/3
.F.2844	FCD0249
.F.2844 AC	FCS0249/2
.F.2844 R	FCD0249/1
.F.2844 SR	FCS0249/3
.F.2845	FCD0248
.F.2845 AC	FCS0248/2
.F.2845 R	FCD0248/1
.F.2845 SR	FCS0248/3
.F.2846	FCD0251
.F.2846 AC	FCS0251/2
.F.2846 R	FCD0251/1
.F.2846 SR	FCS0251/3
.F.2847	FCD0272
.F.2847 AC	FCS0272/2
.F.2847 R	FCD0272/1
.F.2847 SR	FCS0272/3
.F.2850	FCD0290
.F.2850 AC	FCS0290/2
.F.2850 R	FCD0290/1
.F.2850 SR	FCS0290/3
.F.2851	FCD0298
.F.2852	FCD0299
.F.2853	FCD1201
.F.2854	FCD1202
.F.2854 AC	FCS1202/2
.F.2855	FCD1203
.F.2856	FCD1204
.F.2857	FCD1205
.F.2858	FCD1206
.F.2859	FCD1207
.F.2904	FCD0331
.F.2904 R	FCD0331/1
.F.2905	FCD0336
.F.2905 R	FCD0336/1
.F.2914	FCD0337
.F.2914 R	FCD0337/1
.F.2915	FCD0338
.F.2922	FCD0396
.F.2923	FCD0265
.F.2924	FCD0344

CLUTCHES X-REF

COMPETITORS TO FERODO

NEWFREN	Ferodo
.F.2925	FCD0375
.F.2925 R	FCD0375/1
.F.2926	FCD0376
.F.2926 R	FCD0376/1
.F.2927	FCD0377
.F.2927 R	FCD0377/1
.F.2928	FCD0397
.F.2928 AC	FCS0397/2
.F.2929	FCD0390
.FC.K345	FCG0108
.FC.K346	FCG0106
.FC.K347	FCG0516
.FC.K352	FCG0107
.FC.K353	FCG0301
.FC.K354	FCG0538
.FC.K355 R	FCG0541
.FC.K356	FCG0540
.FC.K357	FCG0506
.FC.K358	FCG0514
.FC.K359	FCG0102
.FC.K360	FCG0511
.FC.K361	FCG0536
.FC.K362	FCG0523
.FC.K363	FCG0507
.FC.K364	FCG0524
.FC.K365	FCG0544
.FC.K367	FCG0517
.FC.K368	FCG0545
.FC.K370	FCG0537
.FC.K371	FCG0532
.FC.K372	FCG0543
.FC.K373	FCG0547
.FC.K374	FCG0553
.FC.K376	FCG0548
.FC.K377	FCG0549
.FC.K380	FCG0552
.FC.K381	FCG0555
.FC.K382	FCG0556
.FC.K385	FCG0557
.FC.K386	FCG0558
.FC.K388	FCG0560
.FC.K391	FCG0564
.FC.K393	FCG0566
.FC.K394	FCG0567
.MO.052F	FSS0201
.MO.053F	FSS0402
.MO.054F	FSS0101
.MO.056F	FSS0301
.MO.057F	FSS0403
.MO.058F	FSS0102
.MO.059F	FSS0103
.MO.060F	FSS0404
.MO.061F	FSS0104
.MO.062F	FSS0105
.MO.063F	FSS0302

NEWFREN	Ferodo
.MO.064F	FSS0202
.MO.065F	FSS0106
.MO.066F	FSS0107
.MO.067F	FSS0203
.MO.068F	FSS0108
.MO.069F	FSS0405
.MO.070F	FSS0109
.MO.071F	FSS0110
.MO.072F	FSS0111
.MO.073F	FSS0406
.MO.074F	FSS0112
.MO.075F	FSS0303
.MO.076F	FSS0304
.MO.077F	FSS0305
.MO.078F	FSS0113
.MO.079F	FSS0114
.MO.080F	FSS0407
.MO.081F	FSS0115
.MO.082F	FSS0306
.MO.083F	FSS0116
.MO.084F	FSS0307
.MO.085F	FSS0408
.MO.086F	FSS0308
.MO.087F	FSS0204
.MO.088F	FSS0409
.MO.089F	FSS0205
.MO.090F	FSS0410
.MO.091F	FSS0117
.MO.092F	FSS0206
.MO.093F	FSS0118
.MO.094F	FSS0125
.MO.095F	FSS0309
.MO.096F	FSS0207
.MO.097F	FSS0119
.MO.098F	FSS0120
.MO.099F	FSS0208
.MO.102F	FSS0209
.MO.103F	FSS0310
.MO.105F	FSS0320
.MO.106F	FSS0411
.MO.108F	FSS0210
.MO.109F	FSS0212
.MO.111F	FSS0311
.MO.112F	FSS0412
.MO.115F	FSS0413
.MO.116F	FSS0126
.MO.117F	FSS0414
.MO.118F	FSS0312
.MO.119F	FSS0313
.MO.121F	FSS0314
.MO.122F	FSS0315
.MO.123F	FSS0122
.MO.124F	FSS0415
.MO.125F	FSS0316
.MO.126F	FSS0420

NEWFREN	Ferodo
.MO.127F	FSS0123
.MO.128F	FSS0317
.MO.129F	FSS0318
.MO.131F	FSS0211
.MO.132F	FSS0127
.MO.133F	FSS0501
.MO.138F	FSS0416
.MO.139F	FSS0422
.MO.140F	FSS0124
.MO.141F	FSS0215
.MO.142F	FSS0213
.MO.143F	FSS0319
.MO.147F	FSS0417
.MO.148F	FSS0555
.MO.149F	FSS0418
.MO.153F	FSS0424
.MO.155F	FSS0425
.MO.156F	FSS0426
.MO.161F	FSS0429
.MO.162F	FSS0430
.MO.163F	FSS0431
.MO.164F	FSS0432
.MO.165F	FSS0433
.MO.166F	FSS0434
.MO.167F	FSS0435
.MO.169F	FSS0436
.MO.170F	FSS0437
.MO.172F	FSS0438
.MO.174F	FSS0440
.MO.175F	FSS0441
.MO.176F	FSS0442
.MO.182F	FSS0444
.MO.183F	FSS0445
.MO.184F	FSS0446
.MO.187F	FSS0447
.MO.188F	FSS0448
.MO.189F	FSS0449
.MO.191F	FSS0450
.MO.192F	FSS0451
.MO.196F	FSS0454
.MO.197F	FSS0455
.MO.198F	FSS0456
.MO.199F	FSS0457
.MO.200F	FSS0458
.MO.201F	FSS0459
.MO.203F	FSS0460
.MO.204F	FSS0461
.MO.205F	FSS0462
.MO.206F	FSS0463
.MO.207F	FSS0464
.MO.208F	FSS0465
.MO.244F	FSS0500
.MO.246F	FSS0523
.MO.247F	FSS0524
.MO.248F	FSS0525

CLUTCHES X-REF

COMPETITORS TO FERODO

NEWFREN	Ferodo
.MO.251F	FSS0528
.MO.252F	FSS0529
.MO.253F	FSS0530
.MO.254F	FSS0531
.MO.255F	FSS0532
.MO.256F	FSS0533
.MO.260F	FSS0537
.MO.261F	FSS0538
.MO.263F	FSS0540
.MO.264F	FSS0541
.MO.265F	FSS0542
.MO.266F	FSS0543
.MO.267F	FSS0544
.MO.268F	FSS0545
.MO.270F	FSS0547
.MO.271F	FSS0548
.MO.272F	FSS0549
.MO.275F	FSS0552
.MO.276F	FSS0553
.MO.277F	FSS0554
.MO.600F	FSS0502
.MO.601F	FSS0508
.MO.602F	FSS0505
.MO.604F	FSS0510
.MO.605F	FSS0514
.MO.606F	FSS0504
.MO.607F	FSS0516
.MO.610F	FSS0506
.MO.611F	FSS0519
.MO.613F	FSS0518
.MO.614F	FSS0511
.MO.615F	FSS0515
.MO.628F	FSS0131
.MO.630F	FSS0509
.MO.631F	FSS0513
.MO.632F	FSS0507
.MO.633F	FSS0214
.MO.634F	FSS0419
.MO.635F	FSS0503



MOTORCYCLE CLUTCHES



CLUTCHES KIT XREF

Ferodo to Competitors



MOTORCYCLE CLUTCHES

CLUTCHES X-REF

FERODO TO COMPETITORS

Ferodo Code	Competitor	Comp. Code	Kit Code
FCD0101	NEWFREN	.F.1623	
FCD0101/1	NEWFREN	.F.1623 R	
	EBC	CK 1159	
FCD0102	NEWFREN	.F.1615	
FCD0103	NEWFREN	.F.1653	
	EBC	CK 1156	
FCD0104	EBC	CK 1150	
	NEWFREN	.F.1654	
FCD0105	NEWFREN	.F.1655	
	EBC	CK 1180	
FCD0105/1	NEWFREN	.F.1655 R	
FCD0106	NEWFREN	.F.1656	
	EBC	CK 1191	
FCD0106/1	NEWFREN	.F.1656 R	
FCD0107	NEWFREN	.F.1639	
	EBC	CK 1190	
FCD0108	NEWFREN	.F.1628	
	EBC	CK 1105	
FCD0109	NEWFREN	.F.1641	
FCD0110	NEWFREN	.F.1644	
FCD0110/1	NEWFREN	.F.1644 R	
	EBC	CK 1222	
FCD0111	NEWFREN	.F.1629	
	EBC	CK 1140	
FCD0112	EBC	CK 1194	
	NEWFREN	.F.1620	
FCD0113	NEWFREN	.F.1640	
FCD0114	NEWFREN	.F.1607	
FCD0115	NEWFREN	.F.1606	
FCD0116	NEWFREN	.F.1770	
FCD0117	NEWFREN	.F.1605	
FCD0118	NEWFREN	.F.1637	
FCD0118/1	NEWFREN	.F.1637 R	
FCD0119	NEWFREN	.F.1625	
	EBC	CK 1134	
FCD0119/1	NEWFREN	.F.1625 R	
FCD0120	NEWFREN	.F.1631	
FCD0120/1	NEWFREN	.F.1631 R	
	EBC	CK 1135	
FCD0122	NEWFREN	.F.1622	
	EBC	CK 1183	
FCD0122/1	EBC	CK 1253	
	NEWFREN	.F.1622 R	
FCD0123	NEWFREN	.F.1661	
	EBC	CK 1151	
FCD0123/1	NEWFREN	.F.1661 R	
FCD0124	NEWFREN	.F.1642	
FCD0124/1	NEWFREN	.F.1642 R	
FCD0125	NEWFREN	.F.1638	
FCD0125/1	NEWFREN	.F.1638 R	
FCD0126	NEWFREN	.F.1633	
	EBC	CK 1149	
FCD0126/1	NEWFREN	.F.1633 R	
FCD0127	NEWFREN	.F.1643	
FCD0127/1	NEWFREN	.F.1643 R	
FCD0129	NEWFREN	.F.1650	

Ferodo Code	Competitor	Comp. Code	Kit Code
...FCD0129/1	NEWFREN	.F.1650 R	
FCD0129/1	EBC	CK 1181	
FCD0130	NEWFREN	.F.1602	
FCD0131	NEWFREN	.F.2609	
FCD0131/1	NEWFREN	.F.2609 R	
FCD0132	NEWFREN	.F.1630	
FCD0132/1	NEWFREN	.F.1630 R	
FCD0133	NEWFREN	.F.1665	
	EBC	CK 1144	
FCD0133/1	EBC	CK 1294	
	NEWFREN	.F.1665 R	
FCD0134	NEWFREN	.F.1674	
	EBC	CK 1145	
FCD0135	NEWFREN	.F.1676	
	EBC	CK 1147	
FCD0135/1	NEWFREN	.F.1676 R	
FCD0136	NEWFREN	.F.1634	
FCD0136/1	NEWFREN	.F.1634 R	
FCD0137	NEWFREN	.F.1681	
	EBC	CK 1206	
FCD0138	NEWFREN	.F.1672	
	EBC	CK 1295	
FCD0139	NEWFREN	.F.1667	
FCD0139/1	NEWFREN	.F.1667 R	
	EBC	CK 1307	
FCD0140	NEWFREN	.F.1668	
	EBC	CK 1193	
FCD0141	NEWFREN	.F.1671	
FCD0142	NEWFREN	.F.1684	
FCD0142/1	NEWFREN	.F.1684 R	
FCD0143	NEWFREN	.F.1686	
FCD0143/1	NEWFREN	.F.1686 R	
	EBC	CK 1220	
FCD0144	NEWFREN	.F.2647	
FCD0144/1	NEWFREN	.F.2647 R	
FCD0145	NEWFREN	.F.2654	
FCD0145/1	NEWFREN	.F.2654 R	
FCD0146	NEWFREN	.F.2655	
	EBC	CK 3402	
FCD0147	EBC	CK 3403	
	NEWFREN	.F.2676	
FCD0149	NEWFREN	.F.2678	
FCD0150	NEWFREN	.F.1617	
FCD0151	NEWFREN	.F.2602	
FCD0151/1	NEWFREN	.F.2602 R	
FCD0152	NEWFREN	.F.1600	
FCD0152/1	NEWFREN	.F.1600 R	
FCD0153	NEWFREN	.F.1609	
FCD0153/1	NEWFREN	.F.1609 R	
FCD0154	NEWFREN	.F.1626	
	EBC	CK 1130	
FCD0155	NEWFREN	.F.1645	
FCD0155/1	NEWFREN	.F.1645 R	
FCD0156	NEWFREN	.F.1648	
FCD0156/1	NEWFREN	.F.1648 R	
FCD0157	NEWFREN	.F.1662	

CLUTCHES X-REF

FERODO TO COMPETITORS

Ferodo Code	Competitor	Comp. Code	Kit Code
...FCD0157	EBC	CK 1292	
FCD0157/1	NEWFREN	.F.1662 R	
FCD0159	NEWFREN	.F.1677	
	EBC	CK 1177	
FCD0159/1	NEWFREN	.F.1677 R	
FCD0160	NEWFREN	.F.1679	
FCD0161	NEWFREN	.F.1601	
FCD0162	NEWFREN	.F.1675	
	EBC	CK 1146	
FCD0162/1	NEWFREN	.F.1675 R	
FCD0165	NEWFREN	.F.1603	
FCD0166	NEWFREN	.F.1610	
FCD0166/1	NEWFREN	.F.1610 R	
FCD0167	NEWFREN	.F.1627	
FCD0167/1	EBC	CK 1107	
	NEWFREN	.F.1627 R	
FCD0168	NEWFREN	.F.1646	
FCD0168/1	NEWFREN	.F.1646 R	
FCD0170	NEWFREN	.F.1680	
FCD0170/1	NEWFREN	.F.1680 R	
FCD0171	EBC	CK 1224	
	NEWFREN	.F.1693	
FCD0171/1	NEWFREN	.F.1693 R	
	EBC	CK 1250	
FCD0174	NEWFREN	.F.2680	
FCD0175	NEWFREN	.F.1604	
FCD0175/1	NEWFREN	.F.1604 R	
FCD0176	NEWFREN	.F.1612	
FCD0178	NEWFREN	.F.1647	
FCD0179	NEWFREN	.F.1652	
	EBC	CK 1148	
FCD0180	EBC	CK 1186	
	NEWFREN	.F.1678	
FCD0181	NEWFREN	.F.1683	
FCD0181/1	NEWFREN	.F.1683 R	
	EBC	CK 1229	
FCD0182	NEWFREN	.F.1687	
	EBC	CK 1221	
FCD0183	NEWFREN	.F.1698	
FCD0183/1	NEWFREN	.F.1698 R	
FCD0184	NEWFREN	.F.2644	
	EBC	CK 3401	
FCD0186	NEWFREN	.F.2679	
	EBC	CK 1293	
FCD0186/1	NEWFREN	.F.2679 R	
FCD0188	NEWFREN	.F.1651	
FCD0189	NEWFREN	.F.1649	
	EBC	CK 1166	
FCD0190	NEWFREN	.F.1616	
FCD0190/1	NEWFREN	.F.1616 R	
FCD0191	NEWFREN	.F.1608	
FCD0192	NEWFREN	.F.1613	
FCD0193	NEWFREN	.F.1657	
FCD0194	NEWFREN	.F.1658	
FCD0195	NEWFREN	.F.1660	
FCD0196	NEWFREN	.F.2623	

Ferodo Code	Competitor	Comp. Code	Kit Code
...FCD0197	NEWFREN	.F.2631	
FCD0198	NEWFREN	.F.2632	
FCD0199	NEWFREN	.F.2633	
FCD0201	NEWFREN	.F.1848	
FCD0202	EBC	CK 2230	
	NEWFREN	.F.1868	
FCD0203	NEWFREN	.F.1860	
FCD0203/1	NEWFREN	.F.1860 R	
FCD0204	NEWFREN	.F.1862	
	EBC	CK 2283	
FCD0205	EBC	CK 2348	
	NEWFREN	.F.1826	
FCD0206	NEWFREN	.F.1863	
	EBC	CK 2261	
FCD0207	NEWFREN	.F.1843	
FCD0208	NEWFREN	.F.1831	
FCD0208/1	EBC	CK 2300	
	NEWFREN	.F.1831 R	
FCD0209	NEWFREN	.F.1870	
	EBC	CK 2235	
FCD0210	NEWFREN	.F.1823	
FCD0211	NEWFREN	.F.1821	
FCD0212	EBC	CK 2281	
	NEWFREN	.F.1836	
FCD0212/1	NEWFREN	.F.1836 R	
	EBC	CK 2250	
FCD0213	NEWFREN	.F.1820	
	EBC	CK 2273	
FCD0214	NEWFREN	.F.1815	
FCD0215	NEWFREN	.F.1864	
	EBC	CK 2309	
FCD0215/1	NEWFREN	.F.1864 R	
FCD0216	NEWFREN	.F.1842	
FCD0216/1	EBC	CK 2255	
	NEWFREN	.F.1842 R	
FCD0217	NEWFREN	.F.1865	
	EBC	CK 2287	
FCD0217/1	NEWFREN	.F.1865 R	
FCD0218	NEWFREN	.F.1837	
	EBC	CK 2245	
FCD0218/1	EBC	CK 2209	
	NEWFREN	.F.1837 R	
FCD0219	NEWFREN	.F.1875	
FCD0219/1	NEWFREN	.F.1875 R	
FCD0220	EBC	CK 2302	
	NEWFREN	.F.1857	
FCD0220/1	NEWFREN	.F.1857 R	
	EBC	CK 2305	
FCD0221	NEWFREN	.F.1866	
FCD0221/1	NEWFREN	.F.1866 R	
FCD0222	NEWFREN	.F.2805	
FCD0222/1	NEWFREN	.F.2805 R	
FCD0223	NEWFREN	.F.1838	
FCD0223/1	NEWFREN	.F.1838 R	
FCD0224	EBC	CK 2334	
	NEWFREN	.F.1867	

CLUTCHES X-REF

FERODO TO COMPETITORS

Ferodo Code	Competitor	Comp. Code	Kit Code
...FCD0224/1	NEWFREN	.F.1867 R	
FCD0224/1	EBC	CK 2226	
FCD0225	NEWFREN	.F.1897	
	EBC	CK 2244	
FCD0225/1	NEWFREN	.F.1897 R	
FCD0226	NEWFREN	.F.1817	
FCD0226/1	NEWFREN	.F.1817 R	
FCD0227	NEWFREN	.F.1816	
FCD0228	NEWFREN	.F.1845	
	EBC	CK 2280	
FCD0228/1	NEWFREN	.F.1845 R	
FCD0229	NEWFREN	.F.1873	
FCD0229/1	NEWFREN	.F.1873 R	
FCD0230	NEWFREN	.F.1840	
FCD0230/1	NEWFREN	.F.1840 R	
FCD0231	NEWFREN	.F.1856	
	EBC	CK 2238	
FCD0231/1	NEWFREN	.F.1856 R	
FCD0232	EBC	CK 2308	
	NEWFREN	.F.1852	
FCD0232/1	NEWFREN	.F.1852 R	
FCD0233	NEWFREN	.F.1830	
	EBC	CK 2351	
FCD0233/1	NEWFREN	.F.1830 R	
FCD0234	EBC	CK 1266	
	NEWFREN	.F.2814	
FCD0234/1	NEWFREN	.F.2814 R	
	EBC	CK 1289	
FCD0235	EBC	CK 1285	
	NEWFREN	.F.2811	
FCD0235/1	NEWFREN	.F.2811 R	
	EBC	CK 1257	
FCD0236	NEWFREN	.F.2809	
FCD0236/1	NEWFREN	.F.2809 R	
	EBC	CK 1196	
FCD0237	NEWFREN	.F.2810	
	EBC	CK 1141	
FCD0237/1	NEWFREN	.F.2810 R	
FCD0238	NEWFREN	.F.2812	
FCD0238/1	NEWFREN	.F.2812 R	
	EBC	CK 1264	
FCD0239	NEWFREN	.F.2813	
FCD0239/1	NEWFREN	.F.2813 R	
	EBC	CK 1265	
FCD0240	EBC	CK 1287	
	NEWFREN	.F.2815	
FCD0240/1	NEWFREN	.F.2815 R	
	EBC	CK 2295	
FCD0241	EBC	CK 2315	
	NEWFREN	.F.2817	
FCD0241/1	NEWFREN	.F.2817 R	
FCD0242	NEWFREN	.F.2820	
	EBC	CK 2316	
FCD0243	NEWFREN	.F.2821	
FCD0243/1	EBC	CK 2317	
	NEWFREN	.F.2821 R	

Ferodo Code	Competitor	Comp. Code	Kit Code
...FCD0244	NEWFREN	.F.2823	
FCD0244	EBC	CK 2318	
FCD0244/1	NEWFREN	.F.2823 R	
FCD0245	NEWFREN	.F.2830	
FCD0245/1	NEWFREN	.F.2830 R	
FCD0246	NEWFREN	.F.2836	
FCD0246/1	NEWFREN	.F.2836 R	
FCD0247	NEWFREN	.F.2843	
FCD0247/1	NEWFREN	.F.2843 R	
FCD0248	NEWFREN	.F.2845	
	EBC	CK 2335	
FCD0248/1	NEWFREN	.F.2845 R	
FCD0249	NEWFREN	.F.2844	
FCD0249/1	NEWFREN	.F.2844 R	
FCD0251	NEWFREN	.F.2846	
	EBC	CK 2336	
FCD0251/1	NEWFREN	.F.2846 R	
	EBC	CK 2339	
FCD0252	NEWFREN	.F.1800	
FCD0252/1	NEWFREN	.F.1800 R	
FCD0254	NEWFREN	.F.1825	
FCD0255	NEWFREN	.F.1832	
	EBC	CK 2291	
FCD0256	NEWFREN	.F.1844	
FCD0256/1	NEWFREN	.F.1844 R	
FCD0257	NEWFREN	.F.1850	
FCD0258	NEWFREN	.F.1853	
FCD0259	NEWFREN	.F.1859	
FCD0259/1	NEWFREN	.F.1859 R	
FCD0260	EBC	CK 2274	
	NEWFREN	.F.1871	
FCD0261	NEWFREN	.F.1876	
FCD0262	NEWFREN	.F.1898	
FCD0263	NEWFREN	.F.2827	
	EBC	CK 2312	
FCD0263/1	NEWFREN	.F.2827 R	
FCD0264	EBC	CK 2324	
	NEWFREN	.F.2838	
FCD0264/1	NEWFREN	.F.2838 R	
	EBC	CK 2325	
FCD0265	NEWFREN	.F.2923	
FCD0266	EBC	CK 2223	
	NEWFREN	.F.1896	
FCD0267	NEWFREN	.F.1801	
FCD0267/1	NEWFREN	.F.1801 R	
FCD0268	NEWFREN	.F.1819	
FCD0270	NEWFREN	.F.1846	
	EBC	CK 2297	
FCD0271	NEWFREN	.F.1882	
FCD0271/1	NEWFREN	.F.1882 R	
FCD0272	NEWFREN	.F.2847	
	EBC	CK 2342	
FCD0272/1	NEWFREN	.F.2847 R	
FCD0273	NEWFREN	.F.2837	
FCD0275	NEWFREN	.F.2842	
FCD0277	NEWFREN	.F.1858	

CLUTCHES X-REF

FERODO TO COMPETITORS

Ferodo Code	Competitor	Comp. Code	Kit Code
...FCD0277	EBC	CK 2310	
FCD0278	NEWFREN	.F.1855	
FCD0279	NEWFREN	.F.1803	
FCD0280	NEWFREN	.F.1822	
	EBC	CK 2347	
FCD0280/1	NEWFREN	.F.1822 R	
FCD0281	NEWFREN	.F.1828	
	EBC	CK 2349	
FCD0283	NEWFREN	.F.1849	
FCD0284	EBC	CK 4505	
	NEWFREN	.F.1804	
FCD0285	NEWFREN	.F.1811	
FCD0285/1	NEWFREN	.F.1811 R	
FCD0286	NEWFREN	.F.1806	
FCD0286/1	NEWFREN	.F.1806 R	
FCD0287	NEWFREN	.F.1805	
	EBC	CK 4508	
FCD0287/1	NEWFREN	.F.1805 R	
FCD0290	NEWFREN	.F.2850	
FCD0290/1	NEWFREN	.F.2850 R	
FCD0291	NEWFREN	.F.1869	
FCD0292	NEWFREN	.F.1872	
FCD0293	NEWFREN	.F.1877	
FCD0294	NEWFREN	.F.1880	
FCD0295	NEWFREN	.F.1891	
FCD0296	NEWFREN	.F.1893	
FCD0297	NEWFREN	.F.2828	
FCD0298	NEWFREN	.F.2851	
FCD0299	NEWFREN	.F.2852	
FCD0301	NEWFREN	.F.1980	
FCD0301/1	NEWFREN	.F.1980 R	
FCD0302	NEWFREN	.F.1981	
FCD0302/1	NEWFREN	.F.1981 R	
FCD0303	NEWFREN	.F.1982	
FCD0304	EBC	CK 3387	
	NEWFREN	.F.1973	
FCD0304/1	NEWFREN	.F.1973 R	
FCD0305	NEWFREN	.F.1970	
	EBC	CK 3311	
FCD0306	NEWFREN	.F.1961	
	EBC	CK 3351	
FCD0306/1	EBC	CK 3349	
	NEWFREN	.F.1961 R	
FCD0307	NEWFREN	.F.1987	
FCD0307/1	EBC	CK 3353	
	NEWFREN	.F.1987 R	
FCD0308	NEWFREN	.F.1988	
FCD0308/1	NEWFREN	.F.1988 R	
FCD0309	NEWFREN	.F.1972	
	EBC	CK 3367	
FCD0309/1	EBC	CK 3381	
	NEWFREN	.F.1972 R	
FCD0310	NEWFREN	.F.1979	
FCD0310/1	NEWFREN	.F.1979 R	
	EBC	CK 3335	
FCD0311	NEWFREN	.F.1984	

Ferodo Code	Competitor	Comp. Code	Kit Code
...FCD0312	NEWFREN	.F.1962	
FCD0313	EBC	CK 3324	
	NEWFREN	.F.1971	
FCD0313/1	NEWFREN	.F.1971 R	
	EBC	CK 3345	
FCD0314	NEWFREN	.F.1974	
FCD0314/1	NEWFREN	.F.1974 R	
FCD0315	EBC	CK 2276	
	NEWFREN	.F.1916	
FCD0315/1	NEWFREN	.F.1916 R	
	EBC	CK 2299	
FCD0316	NEWFREN	.F.1944	
FCD0316/1	EBC	CK 3389	
	NEWFREN	.F.1944 R	
FCD0317	NEWFREN	.F.1975	
	EBC	CK 3348	
FCD0317/1	NEWFREN	.F.1975 R	
FCD0318	EBC	CK 3373	
	NEWFREN	.F.1942	
FCD0318/1	NEWFREN	.F.1942 R	
	EBC	CK 3375	
FCD0319	NEWFREN	.F.1941	
FCD0320	NEWFREN	.F.1964	
	EBC	CK 3347	
FCD0321	NEWFREN	.F.1940	
FCD0321/1	NEWFREN	.F.1940 R	
FCD0322	NEWFREN	.F.1990	
FCD0322/1	NEWFREN	.F.1990 R	
FCD0323	NEWFREN	.F.1938	
FCD0323/1	NEWFREN	.F.1938 R	
	EBC	CK 3306	
FCD0324	NEWFREN	.F.1965	
FCD0324/1	EBC	CK 3338	
	NEWFREN	.F.1965 R	
FCD0325	NEWFREN	.F.1935	
FCD0325/1	NEWFREN	.F.1935 R	
FCD0326	NEWFREN	.F.1969	
	EBC	CK 3326	
FCD0326/1	EBC	CK 3316	
	NEWFREN	.F.1969 R	
FCD0327	NEWFREN	.F.1966	
FCD0327/1	NEWFREN	.F.1966 R	
	EBC	CK 3337	
FCD0328	NEWFREN	.F.1943	
FCD0328/1	EBC	CK 3388	
	NEWFREN	.F.1943 R	
FCD0330	NEWFREN	.F.1968	
FCD0330/1	NEWFREN	.F.1968 R	
	EBC	CK 3334	
FCD0331	NEWFREN	.F.2904	
	EBC	CK 2356	
FCD0331/1	NEWFREN	.F.2904 R	
FCD0332	NEWFREN	.F.1994	
FCD0332/1	NEWFREN	.F.1994 R	
FCD0333	NEWFREN	.F.1996	
FCD0333/1	EBC	CK 3343	

CLUTCHES X-REF

FERODO TO COMPETITORS

Ferodo Code	Competitor	Comp. Code	Kit Code
...FCD0333/1	NEWFREN	.F.1996 R	
FCD0334	NEWFREN	.F.1997	
	EBC	CK 3384	
FCD0334/1	NEWFREN	.F.1997 R	
FCD0335	NEWFREN	.F.1998	
FCD0335/1	NEWFREN	.F.1998 R	
FCD0336	NEWFREN	.F.2905	
FCD0336/1	NEWFREN	.F.2905 R	
FCD0337	NEWFREN	.F.2914	
FCD0337/1	NEWFREN	.F.2914 R	
	EBC	CK 2352	
FCD0338	NEWFREN	.F.2915	
FCD0340	NEWFREN	.F.1901	
FCD0340/1	NEWFREN	.F.1901 R	
FCD0341	NEWFREN	.F.1921	
FCD0342	NEWFREN	.F.1947	
FCD0342/1	NEWFREN	.F.1947 R	
FCD0343	EBC	CK 3358	
	NEWFREN	.F.1959	
FCD0344	NEWFREN	.F.2924	
FCD0345	NEWFREN	.F.1948	
	EBC	CK 3380	
FCD0346	NEWFREN	.F.1953	
FCD0347	NEWFREN	.F.1900	
FCD0347/1	NEWFREN	.F.1900 R	
FCD0349	NEWFREN	.F.1985	
FCD0349/1	NEWFREN	.F.1985 R	
	EBC	CK 3359	
FCD0351	EBC	CK 3349/R	
	NEWFREN	.F.1963	
FCD0352	NEWFREN	.F.1946	
	EBC	CK 3385	
FCD0353	NEWFREN	.F.1905	
FCD0354	NEWFREN	.F.1958	
FCD0355	EBC	CK 3378	
	NEWFREN	.F.1949	
FCD0358	NEWFREN	.F.1960	
FCD0359	NEWFREN	.F.1951	
	EBC	CK 3372	
FCD0359/1	NEWFREN	.F.1951 R	
FCD0360	NEWFREN	.F.1902	
FCD0361	NEWFREN	.F.1936	
FCD0362	NEWFREN	.F.1950	
	EBC	CK 3377	
FCD0362/1	NEWFREN	.F.1950 R	
FCD0363	NEWFREN	.F.1903	
FCD0363/1	NEWFREN	.F.1903 R	
FCD0364	EBC	CK 3390	
	NEWFREN	.F.1957	
FCD0365	NEWFREN	.F.1952	
FCD0365/1	NEWFREN	.F.1952 R	
FCD0366	NEWFREN	.F.1922	
	EBC	CK 2354	
FCD0366/1	EBC	CK 3428	
	NEWFREN	.F.1922 R	
FCD0367	NEWFREN	.F.1954	

Ferodo Code	Competitor	Comp. Code	Kit Code
...FCD0367	EBC	CK 3366	
FCD0368	NEWFREN	.F.1924	
FCD0368/1	EBC	CK 3430	
	NEWFREN	.F.1924 R	
FCD0369	NEWFREN	.F.1904	
FCD0369/1	NEWFREN	.F.1904 R	
FCD0370	NEWFREN	.F.1934	
	EBC	CK 3432	
FCD0370/1	EBC	CK 3433	
	NEWFREN	.F.1934 R	
FCD0371	NEWFREN	.F.1955	
	EBC	CK 3364	
FCD0372	NEWFREN	.F.1983	
FCD0373	NEWFREN	.F.1956	
FCD0374	EBC	CK 3435	
	NEWFREN	.F.1937	
FCD0375	NEWFREN	.F.2925	
	EBC	CK 2355	
FCD0375/1	NEWFREN	.F.2925 R	
FCD0376	NEWFREN	.F.2926	
FCD0376/1	NEWFREN	.F.2926 R	
FCD0377	NEWFREN	.F.2927	
FCD0377/1	NEWFREN	.F.2927 R	
FCD0378	NEWFREN	.F.1906	
FCD0378/1	NEWFREN	.F.1906 R	
FCD0379	NEWFREN	.F.1907	
FCD0379/1	NEWFREN	.F.1907 R	
FCD0380	NEWFREN	.F.1908	
FCD0381	NEWFREN	.F.1909	
FCD0382	NEWFREN	.F.1910	
FCD0383	NEWFREN	.F.1915	
FCD0384	NEWFREN	.F.1919	
FCD0385	NEWFREN	.F.1928	
FCD0386	NEWFREN	.F.1929	
FCD0387	NEWFREN	.F.1930	
FCD0388	NEWFREN	.F.1931	
FCD0389	NEWFREN	.F.1932	
FCD0390	NEWFREN	.F.2929	
FCD0391	NEWFREN	.F.1939	
FCD0392	NEWFREN	.F.1978	
FCD0393	NEWFREN	.F.1991	
FCD0394	NEWFREN	.F.1992	
FCD0395	NEWFREN	.F.1993	
FCD0396	NEWFREN	.F.2922	
FCD0397	NEWFREN	.F.2928	
FCD0402	NEWFREN	.F.1771	
FCD0403	NEWFREN	.F.1712	
FCD0404	NEWFREN	.F.1756	
	EBC	CK 4468	
FCD0404/1	NEWFREN	.F.1756 R	
FCD0405	EBC	CK 4477	
	NEWFREN	.F.1752	
FCD0405/1	NEWFREN	.F.1752 R	
FCD0406	NEWFREN	.F.1762	
FCD0406/1	NEWFREN	.F.1762 R	
	EBC	CK 4443	

CLUTCHES X-REF

FERODO TO COMPETITORS

Ferodo Code	Competitor	Comp. Code	Kit Code
...FCD0407	NEWFREN	.F.1763	
FCD0408	NEWFREN	.F.1751	
FCD0408/1	NEWFREN	.F.1751 R	
FCD0409	NEWFREN	.F.1772	
FCD0409/1	NEWFREN	.F.1772 R	
	EBC	CK 4442	
FCD0410	NEWFREN	.F.1739	
FCD0411	NEWFREN	.F.1750	
	EBC	CK 4478	
FCD0412	NEWFREN	.F.1738	
FCD0413	NEWFREN	.F.1773	
FCD0414	EBC	CK 4482	
	NEWFREN	.F.1748	
FCD0414/1	NEWFREN	.F.1748 R	
FCD0415	NEWFREN	.F.1720	
FCD0415/1	NEWFREN	.F.1720 R	
FCD0416	NEWFREN	.F.1736	
FCD0417	EBC	CK 4452	
	NEWFREN	.F.1747	
FCD0418	NEWFREN	.F.1726	
	EBC	CK 4509	
FCD0419	NEWFREN	.F.1746	
FCD0420	NEWFREN	.F.1757	
FCD0420/1	NEWFREN	.F.1757 R	
FCD0421	NEWFREN	.F.1744	
FCD0421/1	NEWFREN	.F.1744 R	
	EBC	CK 4484	
FCD0422	EBC	CK 4469	
	NEWFREN	.F.1764	
FCD0422/1	NEWFREN	.F.1764 R	
FCD0423	NEWFREN	.F.1742	
FCD0423/1	NEWFREN	.F.1742 R	
	EBC	CK 4485	
FCD0424	NEWFREN	.F.1741	
	EBC	CK 4465	
FCD0424/1	EBC	CK 4463	
	NEWFREN	.F.1741 R	
FCD0425	NEWFREN	.F.1732	
	EBC	CK 4511	
FCD0425/1	NEWFREN	.F.1732 R	
FCD0426	EBC	CK 4425	
	NEWFREN	.F.1775	
FCD0427	NEWFREN	.F.1781	
FCD0428	NEWFREN	.F.1792	
	EBC	CK 4488	
FCD0428/1	NEWFREN	.F.1792 R	
	EBC	CK 4489	
FCD0429	NEWFREN	.F.1794	
FCD0430	NEWFREN	.F.1701	
FCD0430/1	NEWFREN	.F.1701 R	
	EBC	CK 1248	
FCD0431	NEWFREN	.F.1703	
FCD0431/1	NEWFREN	.F.1703 R	
FCD0432	NEWFREN	.F.1700	
FCD0432/1	NEWFREN	.F.1700 R	
FCD0433	NEWFREN	.F.1734	

Ferodo Code	Competitor	Comp. Code	Kit Code
...FCD0433/1	NEWFREN	.F.1734 R	
FCD0434	NEWFREN	.F.1737	
FCD0435	EBC	CK 4473	
	NEWFREN	.F.1753	
FCD0436	NEWFREN	.F.1760	
	EBC	CK 4424	
FCD0437	NEWFREN	.F.1767	
FCD0438	NEWFREN	.F.1777	
FCD0438/1	NEWFREN	.F.1777 R	
FCD0440	NEWFREN	.F.1787	
	EBC	CK 4411	
FCD0440/1	NEWFREN	.F.1787 R	
FCD0441	EBC	CK 4493	
	NEWFREN	.F.1795	
FCD0441/1	NEWFREN	.F.1795 R	
	EBC	CK 4494	
FCD0442	NEWFREN	.F.1702	
FCD0442/1	NEWFREN	.F.1702 R	
	EBC	CK 1234	
FCD0444	NEWFREN	.F.1735	
FCD0445	NEWFREN	.F.1743	
FCD0445/1	NEWFREN	.F.1743 R	
FCD0446	NEWFREN	.F.1755	
FCD0447	NEWFREN	.F.1761	
FCD0447/1	NEWFREN	.F.1761 R	
FCD0448	EBC	CK 4475	
	NEWFREN	.F.1786	
FCD0448/1	NEWFREN	.F.1786 R	
FCD0449	NEWFREN	.F.1796	
FCD0450	NEWFREN	.F.1704	
	EBC	CK 1252	
FCD0450/1	NEWFREN	.F.1704 R	
FCD0451	NEWFREN	.F.1721	
FCD0454	NEWFREN	.F.1759	
FCD0454/1	NEWFREN	.F.1759 R	
	EBC	CK 4434	
FCD0455	NEWFREN	.F.1705	
FCD0456	NEWFREN	.F.1706	
FCD0457	NEWFREN	.F.1708	
FCD0458	NEWFREN	.F.1709	
FCD0459	NEWFREN	.F.1710	
FCD0460	NEWFREN	.F.1711	
FCD0461	NEWFREN	.F.1728	
FCD0462	NEWFREN	.F.1729	
FCD0463	NEWFREN	.F.1799	
FCD0464	NEWFREN	.F.2700	
FCD0465	NEWFREN	.F.2701	
FCD0500	NEWFREN	.F.1173	
FCD0501/1	NEWFREN	.F.1502 R	
FCD0502/1	NEWFREN	.F.1503 R	
FCD0503/1	EBC	CK 6605	
	NEWFREN	.F.1501 R	
FCD0504/1	NEWFREN	.F.1504 R	
FCD0505/1	NEWFREN	.F.1505 R	
FCD0506	NEWFREN	.F.1187	
FCD0507	NEWFREN	.F.1179	

CLUTCHES X-REF

FERODO TO COMPETITORS

Ferodo Code	Competitor	Comp. Code	Kit Code
...FCD0508	NEWFREN	.F.1175	
FCD0509	NEWFREN	.F.1188	
FCD0509/1	NEWFREN	.F.1188 R	
FCD0510	NEWFREN	.F.1189	
FCD0511	NEWFREN	.F.1193	
FCD0513	NEWFREN	.F.1404	
FCD0514	NEWFREN	.F.1176	
FCD0515	NEWFREN	.F.1195	
FCD0516	NEWFREN	.F.1408	
FCD0516/1	NEWFREN	.F.1408 R	
FCD0517	NEWFREN	.F.1313	
FCD0518	NEWFREN	.F.1178	
FCD0518/1	NEWFREN	.F.1178 R	
FCD0519	NEWFREN	.F.1456	
FCD0523	NEWFREN	.F.1421	
FCD0523/1	NEWFREN	.F.1421 R	
FCD0525	NEWFREN	.F.1599	
FCD0528	NEWFREN	.F.1459	
FCD0529	NEWFREN	.F.1495	
FCD0530	NEWFREN	.F.1526	
FCD0531	NEWFREN	.F.1539	
	EBC	CK 6614 MP	
FCD0532	NEWFREN	.F.1549	
FCD0533	NEWFREN	.F.1598	
FCD0535	NEWFREN	.F.1196	
FCD0536	NEWFREN	.F.1184	
FCD0537	NEWFREN	.F.1406	
FCD0537/1	NEWFREN	.F.1406 R	
FCD0538	NEWFREN	.F.1414	
FCD0538/1	NEWFREN	.F.1414 R	
FCD0540	NEWFREN	.F.1493	
FCD0541	NEWFREN	.F.1524	
FCD0542	NEWFREN	.F.1185	
FCD0543	NEWFREN	.F.1402	
FCD0544	NEWFREN	.F.1416	
FCD0545	NEWFREN	.F.1473	
FCD0547	NEWFREN	.F.1519	
FCD0548	NEWFREN	.F.1528	
FCD0549	NEWFREN	.F.1544	
FCD0552	NEWFREN	.F.1586	
FCD0553	NEWFREN	.F.1595	
FCD0554	EBC	CK 6615	
	NEWFREN	.F.1191	
FCD0555	NEWFREN	.F.1306	
FCD0556	NEWFREN	.F.1407	
FCD0556/1	NEWFREN	.F.1407 R	
FCD0557	NEWFREN	.F.1411	
FCD0557/1	NEWFREN	.F.1411 R	
FCD0558/1	NEWFREN	.F.1418 R	
FCD0560	NEWFREN	.F.1482	
FCD0561/1	NEWFREN	.F.1561 R	
FCD0564	NEWFREN	.F.1542	
FCD0566	EBC	CK 5594	
	NEWFREN	.F.1576/2	
FCD0567	NEWFREN	.F.1574	
FCD0568	NEWFREN	.F.1567	

Ferodo Code	Competitor	Comp. Code	Kit Code
...FCD0571	NEWFREN	.F.1403	
FCD0572	NEWFREN	.F.1527	
FCD0573	NEWFREN	.F.1532	
	EBC	CK 6610	
FCD0574	NEWFREN	.F.1543	
FCD0574/1	NEWFREN	.F.1543 R	
FCD0577	EBC	CK 6622	
	NEWFREN	.F.1585	
FCD0578	NEWFREN	.F.1192	
FCD0579	NEWFREN	.F.1200	
FCD0580	NEWFREN	.F.1409	
FCD0581	NEWFREN	.F.1412	
FCD0581/1	NEWFREN	.F.1412 R	
FCD0584	NEWFREN	.F.1460	
	EBC	CK 6606 MP	
FCD0585	NEWFREN	.F.1475	
FCD0585/1	NEWFREN	.F.1475 R	
FCD0586	NEWFREN	.F.1498	
FCD0586/1	NEWFREN	.F.1498 R	
FCD0587	NEWFREN	.F.1522	
FCD0588	NEWFREN	.F.1533	
FCD0588/1	NEWFREN	.F.1533 R	
FCD0589	NEWFREN	.F.1547	
FCD0591	NEWFREN	.F.1575/3	
FCD0592	EBC	CK 6621 MP	
	NEWFREN	.F.1584	
FCD0592/1	NEWFREN	.F.1584 R	
FCD0593	NEWFREN	.F.1591	
FCD0593/1	NEWFREN	.F.1591 R	
FCD0594	NEWFREN	.F.1593	
FCD0594/1	NEWFREN	.F.1593 R	
FCD0596	NEWFREN	.F.1307	
FCD0598	NEWFREN	.F.1410	
FCD0599	NEWFREN	.F.1415	
FCD0599/1	NEWFREN	.F.1415 R	
FCD0600	NEWFREN	.F.1174	
FCD0601	NEWFREN	.F.1181	
FCD0602	NEWFREN	.F.1177	
FCD0604	NEWFREN	.F.1199	
FCD0606	NEWFREN	.F.1457	
FCD0607	NEWFREN	.F.1180	
FCD0608	NEWFREN	.F.1540	
FCD0608/1	NEWFREN	.F.1540 R	
FCD0610	NEWFREN	.F.1592	
FCD0611	NEWFREN	.F.1194	
FCD0612	NEWFREN	.F.1401	
FCD0613	NEWFREN	.F.1597	
FCD0614	NEWFREN	.F.1590	
FCD0614/1	NEWFREN	.F.1590 R	
FCD0615	NEWFREN	.F.1420	
FCD0615/1	NEWFREN	.F.1420 R	
FCD0617	EBC	CK 6612	
	NEWFREN	.F.1490	
FCD0618	NEWFREN	.F.1520	
FCD0619	NEWFREN	.F.1530	
FCD0619/1	NEWFREN	.F.1530 R	

CLUTCHES X-REF

FERODO TO COMPETITORS

Ferodo Code	Competitor	Comp. Code	Kit Code
...FCD0620	NEWFREN	.F.1566	
FCD0621	NEWFREN	.F.1589	
FCD0622	NEWFREN	.F.1596	
FCD0623	NEWFREN	.F.1186	
FCD0625	NEWFREN	.F.1413	
FCD0627	NEWFREN	.F.1491	
FCD0628	NEWFREN	.F.1525	
FCD0629	NEWFREN	.F.1594	
FCD0630	NEWFREN	.F.1577	
FCD0631	NEWFREN	.F.1309	
FCD0633	NEWFREN	.F.1417	
FCD0633/1	NEWFREN	.F.1417 R	
FCD0634	NEWFREN	.F.1458	
FCD0635	NEWFREN	.F.1521	
FCD0636	NEWFREN	.F.1529	
FCD0637	NEWFREN	.F.1580	
	EBC	CK 6618 MP	
FCD0638	NEWFREN	.F.1315	
FCD0641	NEWFREN	.F.1496	
FCD0641/1	NEWFREN	.F.1496 R	
FCD0642	NEWFREN	.F.1531	
FCD0643	NEWFREN	.F.1541	
FCD0644	NEWFREN	.F.1314	
FCD0645	NEWFREN	.F.1474	
FCD0646	NEWFREN	.F.1581	
	EBC	CK 6619	
FCD0647	NEWFREN	.F.1316	
FCD0648	NEWFREN	.F.1537	
FCD0652	NEWFREN	.F.1494	
FCD0653	NEWFREN	.F.1497	
FCD0654/1	NEWFREN	.F.1506 R	
FCD0655	NEWFREN	.F.1546	
FCD0656	NEWFREN	.F.1575/5	
FCD0657	NEWFREN	.F.1492	
FCD0658	NEWFREN	.F.1481	
FCD0660	NEWFREN	.F.1553	
FCD0661	NEWFREN	.F.1562	
FCD0662	NEWFREN	.F.1568	
	EBC	CK 6630 MP	
FCD0664	NEWFREN	.F.1560	
FCD0665	NEWFREN	.F.1565	
FCD0666	NEWFREN	.F.1576/3	
FCD0668	NEWFREN	.F.1548	
FCD0669	NEWFREN	.F.1570	
FCD0670	NEWFREN	.F.1578	
FCD0671	NEWFREN	.F.1569	
	EBC	CK 6613 MP	
FCD0672	NEWFREN	.F.1545	
FCD0673/1	NEWFREN	.F.1507 R	
FCD0674	NEWFREN	.F.1663	
	EBC	CK 1132	
FCD0674/1	NEWFREN	.F.1663 R	
FCD0675	NEWFREN	.F.1685	
FCD0675/1	NEWFREN	.F.1685 R	
FCD0676	NEWFREN	.F.1697	
FCD0676/1	NEWFREN	.F.1697 R	

Ferodo Code	Competitor	Comp. Code	Kit Code
...FCD0677	NEWFREN	.F.1699	
FCD0677/1	NEWFREN	.F.1699 R	
FCD0678	EBC	CK 2279	
	NEWFREN	.F.1889	
FCD0678/1	NEWFREN	.F.1889 R	
	EBC	CK 2290	
FCD0679	NEWFREN	.F.1892	
FCD0679/1	NEWFREN	.F.1892 R	
FCD0680	NEWFREN	.F.1894	
FCD0680/1	EBC	CK 2206	
	NEWFREN	.F.1894 R	
FCD0682	NEWFREN	.F.1419	
FCD0682/1	NEWFREN	.F.1419 R	
FCD0683	NEWFREN	.F.1172	
FCD0684	NEWFREN	.F.1434	
FCD0684/1	NEWFREN	.F.1434 R	
FCD0685/1	NEWFREN	.F.1435 R	
FCD0688	NEWFREN	.F.1499	
FCD0688/1	NEWFREN	.F.1499 R	
FCD0689	NEWFREN	.F.1518	
FCD0689/1	NEWFREN	.F.1518 R	
FCD0704	NEWFREN	.F.1798	
	EBC	CK 4479	
FCD0704/1	NEWFREN	.F.1798 R	
FCD0705	NEWFREN	.F.1511	
FCD0706	NEWFREN	.F.1588	
FCD0707/1	NEWFREN	.F.1509 R	
FCD0708/1	NEWFREN	.F.1510 R	
FCD0709/1	NEWFREN	.F.1513 R	
FCD0710/1	NEWFREN	.F.1514 R	
FCD0711/1	NEWFREN	.F.1515 R	
FCD0712/1	NEWFREN	.F.1516 R	
FCD0713/1	NEWFREN	.F.1517 R	
FCD0715	NEWFREN	.F.1534	
FCD0716	NEWFREN	.F.1536	
FCD0717	NEWFREN	.F.1535	
FCD0720	NEWFREN	.F.1489	
FCD0721	NEWFREN	.F.1167	
FCD0722	NEWFREN	.F.1168	
FCD0723	NEWFREN	.F.1169	
FCD0724	NEWFREN	.F.1170	
FCD0725	NEWFREN	.F.1171	
FCD0728	NEWFREN	.F.1480	
FCD0729/1	NEWFREN	.F.1483 R	
FCD0730/1	NEWFREN	.F.1486 R	
FCD0731/1	NEWFREN	.F.1485 R	
FCD0737	NEWFREN	.F.1487	
FCD0737/1	NEWFREN	.F.1487 R	
FCD0738	NEWFREN	.F.1488	
FCD0739/1	NEWFREN	.F.1436 R	
FCD0740/1	NEWFREN	.F.1437 R	
FCD0741	NEWFREN	.F.1438	
FCD0741/1	NEWFREN	.F.1438 R	
FCD0742/1	NEWFREN	.F.1439 R	
FCD1101	NEWFREN	.F.2635	
FCD1102	NEWFREN	.F.2636	

CLUTCHES X-REF

FERODO TO COMPETITORS

Ferodo Code	Competitor	Comp. Code	Kit Code
...FCD1103	NEWFREN	.F.2637	
FCD1104	NEWFREN	.F.2638	
FCD1105	NEWFREN	.F.2639	
FCD1106	NEWFREN	.F.2640	
FCD1107	NEWFREN	.F.2666	
FCD1107/1	NEWFREN	.F.2666 R	
FCD1201	NEWFREN	.F.2853	
FCD1202	NEWFREN	.F.2854	
FCD1203	NEWFREN	.F.2855	
FCD1204	NEWFREN	.F.2856	
FCD1205	NEWFREN	.F.2857	
FCD1206	NEWFREN	.F.2858	
FCD1207	NEWFREN	.F.2859	
FCG0102	NEWFREN	.FC.K359	
FCG0106	NEWFREN	.FC.K346	
FCG0107	NEWFREN	.FC.K352	
FCG0108	NEWFREN	.FC.K345	
FCG0301	NEWFREN	.FC.K353	
FCG0506	NEWFREN	.FC.K357	
FCG0507	NEWFREN	.FC.K363	
FCG0511	NEWFREN	.FC.K360	
FCG0514	NEWFREN	.FC.K358	
FCG0516	NEWFREN	.FC.K347	
FCG0517	NEWFREN	.FC.K367	
FCG0523	NEWFREN	.FC.K362	
FCG0524	NEWFREN	.FC.K364	
FCG0532	NEWFREN	.FC.K371	
FCG0536	NEWFREN	.FC.K361	
FCG0537	NEWFREN	.FC.K370	
FCG0538	NEWFREN	.FC.K354	
FCG0540	NEWFREN	.FC.K356	
FCG0541	NEWFREN	.FC.K355 R	
FCG0543	NEWFREN	.FC.K372	
FCG0544	NEWFREN	.FC.K365	
FCG0545	NEWFREN	.FC.K368	
FCG0547	NEWFREN	.FC.K373	
FCG0548	NEWFREN	.FC.K376	
FCG0549	NEWFREN	.FC.K377	
FCG0552	NEWFREN	.FC.K380	
FCG0553	NEWFREN	.FC.K374	
FCG0555	NEWFREN	.FC.K381	
FCG0556	NEWFREN	.FC.K382	
FCG0557	NEWFREN	.FC.K385	
FCG0558	NEWFREN	.FC.K386	
FCG0560	NEWFREN	.FC.K388	
FCG0564	NEWFREN	.FC.K391	
FCG0566	NEWFREN	.FC.K393	
FCG0567	NEWFREN	.FC.K394	
FCS0101/2	NEWFREN	.F.1623 AC	
	EBC	CK 1163	
FCS0101/3	NEWFREN	.F.1623 SR	
	EBC	CK 1152	
FCS0111/2	EBC	CK 1290	
	NEWFREN	.F.1629 AC	
FCS0120/2	NEWFREN	.F.1631 AC	
FCS0120/3	NEWFREN	.F.1631 SR	

Ferodo Code	Competitor	Comp. Code	Kit Code
...FCS0120/3	EBC	CK 1165	
FCS0126/2	NEWFREN	.F.1633 AC	
	EBC	CK 1153	
FCS0126/3	NEWFREN	.F.1633 SR	
FCS0131/2	NEWFREN	.F.2609 AC	
FCS0131/3	NEWFREN	.F.2609 SR	
FCS0132/2	EBC	CK 1291	
	NEWFREN	.F.1630 AC	
FCS0132/3	NEWFREN	.F.1630 SR	
	EBC	CK 1119	
FCS0136/2	NEWFREN	.F.1634 AC	
FCS0136/3	NEWFREN	.F.1634 SR	
FCS0142/2	NEWFREN	.F.1684 AC	
	EBC	CK 1230	
FCS0142/3	NEWFREN	.F.1684 SR	
	EBC	CK 1210	
FCS0151/2	NEWFREN	.F.2602 AC	
FCS0151/3	NEWFREN	.F.2602 SR	
	EBC	CK 3400	
FCS0194/2	NEWFREN	.F.1658 AC	
FCS0208/2	NEWFREN	.F.1831 AC	
	EBC	CK 2269	
FCS0208/3	NEWFREN	.F.1831 SR	
FCS0212/2	EBC	CK 2267	
	NEWFREN	.F.1836 AC	
FCS0212/3	NEWFREN	.F.1836 SR	
FCS0215/2	NEWFREN	.F.1864 AC	
FCS0215/3	NEWFREN	.F.1864 SR	
FCS0216/2	NEWFREN	.F.1842 AC	
FCS0216/3	NEWFREN	.F.1842 SR	
FCS0218/2	EBC	CK 2236	
	NEWFREN	.F.1837 AC	
FCS0218/3	NEWFREN	.F.1837 SR	
	EBC	CK 2311	
FCS0220/2	NEWFREN	.F.1857 AC	
	EBC	CK 2203	
FCS0220/3	NEWFREN	.F.1857 SR	
	EBC	CK 2256	
FCS0221/2	NEWFREN	.F.1866 AC	
FCS0221/3	NEWFREN	.F.1866 SR	
	EBC	CK 2208	
FCS0223/2	NEWFREN	.F.1838 AC	
FCS0223/3	EBC	CK 2240	
	NEWFREN	.F.1838 SR	
FCS0224/2	NEWFREN	.F.1867 AC	
FCS0224/3	NEWFREN	.F.1867 SR	
FCS0228/2	NEWFREN	.F.1845 AC	
FCS0228/3	NEWFREN	.F.1845 SR	
FCS0231/2	EBC	CK 2207	
	NEWFREN	.F.1856 AC	
FCS0231/3	NEWFREN	.F.1856 SR	
FCS0232/2	NEWFREN	.F.1852 AC	
FCS0232/3	NEWFREN	.F.1852 SR	
FCS0233/2	NEWFREN	.F.1830 AC	
FCS0233/3	NEWFREN	.F.1830 SR	
	EBC	CK 2358	

CLUTCHES X-REF

FERODO TO COMPETITORS

Ferodo Code	Competitor	Comp. Code	Kit Code
...FCS0234/2	NEWFREN	.F.2814	AC
FCS0234/2	EBC	CK 1284	
FCS0234/3	NEWFREN	.F.2814	SR
FCS0240/2	NEWFREN	.F.2815	AC
FCS0240/3	NEWFREN	.F.2815	SR
FCS0243/2	NEWFREN	.F.2821	AC
	EBC	CK 2313	
FCS0243/3	NEWFREN	.F.2821	SR
FCS0245/2	NEWFREN	.F.2830	AC
FCS0245/3	NEWFREN	.F.2830	SR
	EBC	CK 2319	
FCS0246/2	NEWFREN	.F.2836	AC
FCS0246/3	NEWFREN	.F.2836	SR
	EBC	CK 2321	
FCS0247/2	NEWFREN	.F.2843	AC
	EBC	CK 2327	
FCS0247/3	NEWFREN	.F.2843	SR
	EBC	CK 2331	
FCS0248/2	NEWFREN	.F.2845	AC
FCS0248/3	NEWFREN	.F.2845	SR
FCS0249/2	EBC	CK 2332	
	NEWFREN	.F.2844	AC
FCS0249/3	NEWFREN	.F.2844	SR
FCS0251/2	NEWFREN	.F.2846	AC
	EBC	CK 2337	
FCS0251/3	NEWFREN	.F.2846	SR
FCS0267/2	NEWFREN	.F.1801	AC
FCS0267/3	NEWFREN	.F.1801	SR
	EBC	CK 4503	
FCS0272/2	NEWFREN	.F.2847	AC
	EBC	CK 2350	
FCS0272/3	NEWFREN	.F.2847	SR
FCS0290/2	NEWFREN	.F.2850	AC
FCS0290/3	NEWFREN	.F.2850	SR
FCS0295/2	NEWFREN	.F.1891	AC
FCS0304/2	NEWFREN	.F.1973	AC
FCS0304/3	NEWFREN	.F.1973	SR
	EBC	CK 3386	
FCS0308/2	NEWFREN	.F.1988	AC
	EBC	CK 3340	
FCS0308/3	NEWFREN	.F.1988	SR
	EBC	CK 3318	
FCS0313/2	NEWFREN	.F.1971	AC
	EBC	CK 3331	
FCS0313/3	NEWFREN	.F.1971	SR
	EBC	CK 3315	
FCS0314/2	NEWFREN	.F.1974	AC
FCS0314/3	NEWFREN	.F.1974	SR
	EBC	CK 3330	
FCS0320/2	EBC	CK 3346	
	NEWFREN	.F.1964	AC
FCS0321/2	NEWFREN	.F.1940	AC
FCS0321/3	NEWFREN	.F.1940	SR
	EBC	CK 3357	
FCS0322/2	NEWFREN	.F.1990	AC
FCS0322/3	NEWFREN	.F.1990	SR

Ferodo Code	Competitor	Comp. Code	Kit Code
...FCS0322/3	EBC	CK 3319	
FCS0326/2	NEWFREN	.F.1969	AC
	EBC	CK 3321	
FCS0326/3	EBC	CK 3312	
	NEWFREN	.F.1969	SR
FCS0333/2	NEWFREN	.F.1996	AC
FCS0333/3	NEWFREN	.F.1996	SR
	EBC	CK 3344	
FCS0334/2	NEWFREN	.F.1997	AC
FCS0334/3	EBC	CK 3333	
	NEWFREN	.F.1997	SR
FCS0342/2	NEWFREN	.F.1947	AC
	EBC	CK 3382	
FCS0363/2	NEWFREN	.F.1903	AC
FCS0363/3	NEWFREN	.F.1903	SR
FCS0378/2	NEWFREN	.F.1906	AC
FCS0378/3	NEWFREN	.F.1906	SR
FCS0387/2	NEWFREN	.F.1930	AC
FCS0388/2	NEWFREN	.F.1931	AC
FCS0389/2	NEWFREN	.F.1932	AC
FCS0397/2	NEWFREN	.F.2928	AC
FCS0405/2	NEWFREN	.F.1752	AC
FCS0405/3	NEWFREN	.F.1752	SR
FCS0406/2	NEWFREN	.F.1762	AC
FCS0406/3	NEWFREN	.F.1762	SR
	EBC	CK 4421	
FCS0409/2	NEWFREN	.F.1772	AC
FCS0409/3	EBC	CK 4486	
	NEWFREN	.F.1772	SR
FCS0411/2	NEWFREN	.F.1750	AC
FCS0415/2	NEWFREN	.F.1720	AC
FCS0415/3	NEWFREN	.F.1720	SR
FCS0417/2	NEWFREN	.F.1747	AC
	EBC	CK 4439	
FCS0419/2	NEWFREN	.F.1746	AC
	EBC	CK 4457	
FCS0420/2	EBC	CK 4459	
	NEWFREN	.F.1757	AC
FCS0420/3	EBC	CK 4438	
	NEWFREN	.F.1757	SR
FCS0422/2	NEWFREN	.F.1764	AC
FCS0422/3	NEWFREN	.F.1764	SR
FCS0423/2	NEWFREN	.F.1742	AC
	EBC	CK 4481	
FCS0423/3	NEWFREN	.F.1742	SR
FCS0425/2	NEWFREN	.F.1732	AC
FCS0425/3	NEWFREN	.F.1732	SR
	EBC	CK 4419	
FCS0440/2	NEWFREN	.F.1787	AC
	EBC	CK 4409	
FCS0440/3	NEWFREN	.F.1787	SR
FCS0445/2	NEWFREN	.F.1743	AC
FCS0445/3	NEWFREN	.F.1743	SR
FCS0448/2	NEWFREN	.F.1786	AC
FCS0448/3	NEWFREN	.F.1786	SR
FCS0454/2	NEWFREN	.F.1759	AC

CLUTCHES X-REF

FERODO TO COMPETITORS

Ferodo Code	Competitor	Comp. Code	Kit Code
...FCS0454/3	NEWFREN	.F.1759	SR
FCS0455/2	NEWFREN	.F.1705	AC
FCS0456/2	NEWFREN	.F.1706	AC
FCS0457/2	NEWFREN	.F.1708	AC
FCS0462/2	NEWFREN	.F.1729	AC
FCS0465/2	NEWFREN	.F.2701	AC
FCS0501/3	EBC	CK 6681	R
	NEWFREN	.F.1502	SR
FCS0502/3	NEWFREN	.F.1503	SR
	EBC	CK 6680	
FCS0503/3	NEWFREN	.F.1501	SR
	EBC	CK 6604	
FCS0504/3	NEWFREN	.F.1504	SR
	EBC	CK 6680	R
FCS0505/3	NEWFREN	.F.1505	SR
FCS0507/2	NEWFREN	.F.1179	AC
FCS0509/2	NEWFREN	.F.1188	AC
FCS0509/3	NEWFREN	.F.1188	SR
FCS0510/2	NEWFREN	.F.1189	AC
FCS0516/2	NEWFREN	.F.1408	AC
FCS0516/3	NEWFREN	.F.1408	SR
FCS0518/2	NEWFREN	.F.1178	AC
FCS0518/3	NEWFREN	.F.1178	SR
FCS0519/2	NEWFREN	.F.1456	AC
FCS0523/2	NEWFREN	.F.1421	AC
FCS0523/3	NEWFREN	.F.1421	SR
FCS0524/2	NEWFREN	.F.1422	AC
FCS0528/2	NEWFREN	.F.1459	AC
FCS0530/2	NEWFREN	.F.1526	AC
FCS0534/2	NEWFREN	.F.1423	AC
FCS0538/2	NEWFREN	.F.1414	AC
	EBC	CK 6628	
FCS0538/3	NEWFREN	.F.1414	SR
FCS0545/2	NEWFREN	.F.1473	AC
FCS0548/2	NEWFREN	.F.1528	AC
FCS0554/2	NEWFREN	.F.1191	AC
FCS0557/2	NEWFREN	.F.1411	AC
FCS0557/3	NEWFREN	.F.1411	SR
FCS0558/3	NEWFREN	.F.1418	SR
FCS0561/3	NEWFREN	.F.1561	SR
FCS0568/2	NEWFREN	.F.1567	AC
FCS0572/2	NEWFREN	.F.1527	AC
FCS0573/2	EBC	CK 6610	MP
	NEWFREN	.F.1532	AC
FCS0574/2	NEWFREN	.F.1543	AC
FCS0574/3	NEWFREN	.F.1543	SR
FCS0577/2	EBC	CK 6622	MP
	NEWFREN	.F.1585	AC
FCS0578/2	NEWFREN	.F.1192	AC
FCS0580/2	NEWFREN	.F.1409	AC
FCS0580/3	NEWFREN	.F.1409	SR
FCS0581/2	NEWFREN	.F.1412	AC
FCS0581/3	NEWFREN	.F.1412	SR
FCS0582/2	NEWFREN	.F.1424	AC
FCS0583/2	NEWFREN	.F.1433	AC
FCS0584/2	NEWFREN	.F.1460	AC

Ferodo Code	Competitor	Comp. Code	Kit Code
...FCS0585/2	NEWFREN	.F.1475	AC
FCS0585/3	NEWFREN	.F.1475	SR
FCS0586/2	NEWFREN	.F.1498	AC
FCS0586/3	NEWFREN	.F.1498	SR
	EBC	CK 6601	
FCS0588/2	NEWFREN	.F.1533	AC
FCS0588/3	NEWFREN	.F.1533	SR
FCS0593/2	NEWFREN	.F.1591	AC
FCS0593/3	NEWFREN	.F.1591	SR
FCS0594/2	NEWFREN	.F.1593	AC
FCS0594/3	NEWFREN	.F.1593	SR
FCS0598/2	NEWFREN	.F.1410	AC
FCS0599/2	NEWFREN	.F.1415	AC
FCS0599/3	NEWFREN	.F.1415	SR
FCS0605/2	NEWFREN	.F.1425	AC
FCS0606/2	NEWFREN	.F.1457	AC
FCS0607/2	NEWFREN	.F.1180	AC
FCS0608/2	NEWFREN	.F.1540	AC
FCS0608/3	NEWFREN	.F.1540	SR
FCS0610/2	NEWFREN	.F.1592	AC
FCS0614/2	NEWFREN	.F.1590	AC
FCS0614/3	NEWFREN	.F.1590	SR
FCS0615/2	NEWFREN	.F.1420	AC
FCS0615/3	NEWFREN	.F.1420	SR
FCS0616/2	NEWFREN	.F.1426	AC
FCS0619/2	NEWFREN	.F.1530	AC
FCS0619/3	NEWFREN	.F.1530	SR
FCS0620/2	NEWFREN	.F.1566	AC
FCS0623/2	NEWFREN	.F.1186	AC
FCS0626/2	NEWFREN	.F.1427	AC
FCS0628/2	NEWFREN	.F.1525	AC
FCS0633/2	NEWFREN	.F.1417	AC
FCS0633/3	NEWFREN	.F.1417	SR
FCS0634/2	NEWFREN	.F.1458	AC
FCS0636/2	NEWFREN	.F.1529	AC
FCS0641/2	NEWFREN	.F.1496	AC
FCS0641/3	NEWFREN	.F.1496	SR
FCS0643/2	NEWFREN	.F.1541	AC
FCS0649/2	NEWFREN	.F.1428	AC
FCS0651/2	NEWFREN	.F.1432	AC
FCS0654/3	NEWFREN	.F.1506	SR
FCS0659/2	NEWFREN	.F.1429	AC
FCS0660/2	NEWFREN	.F.1553	AC
FCS0661/2	NEWFREN	.F.1562	AC
FCS0662/2	NEWFREN	.F.1568	AC
	EBC	CK 6613	
FCS0663/2	NEWFREN	.F.1430	AC
FCS0665/2	NEWFREN	.F.1565	AC
FCS0667/2	NEWFREN	.F.1431	AC
FCS0669/2	NEWFREN	.F.1570	AC
FCS0671/2	NEWFREN	.F.1569	AC
FCS0672/2	NEWFREN	.F.1545	AC
FCS0673/3	NEWFREN	.F.1507	SR
FCS0675/2	NEWFREN	.F.1685	AC
	EBC	CK 1218	
FCS0675/3	NEWFREN	.F.1685	SR

CLUTCHES X-REF

FERODO TO COMPETITORS

Ferodo Code	Competitor	Comp. Code	Kit Code
...FCS0675/3	EBC	CK 1219	
FCS0676/2	EBC	CK 1247	
	NEWFREN	.F.1697 AC	
FCS0676/3	NEWFREN	.F.1697 SR	
FCS0677/2	NEWFREN	.F.1699 AC	
FCS0677/3	NEWFREN	.F.1699 SR	
FCS0678/2	NEWFREN	.F.1889 AC	
FCS0678/3	NEWFREN	.F.1889 SR	
FCS0679/2	NEWFREN	.F.1892 AC	
FCS0679/3	NEWFREN	.F.1892 SR	
FCS0680/2	NEWFREN	.F.1894 AC	
FCS0680/3	NEWFREN	.F.1894 SR	
	EBC	CK 2242	
FCS0682/2	NEWFREN	.F.1419 AC	
FCS0682/3	NEWFREN	.F.1419 SR	
FCS0684/2	NEWFREN	.F.1434 AC	
FCS0684/3	NEWFREN	.F.1434 SR	
FCS0688/2	NEWFREN	.F.1499 AC	
FCS0688/3	NEWFREN	.F.1499 SR	
FCS0704/2	NEWFREN	.F.1798 AC	
FCS0704/3	NEWFREN	.F.1798 SR	
FCS0705/2	NEWFREN	.F.1511 AC	
FCS0706/2	NEWFREN	.F.1588 AC	
FCS0707/3	NEWFREN	.F.1509 SR	
FCS0708/3	NEWFREN	.F.1510 SR	
FCS0709/3	NEWFREN	.F.1513 SR	
FCS0710/3	NEWFREN	.F.1514 SR	
FCS0711/3	NEWFREN	.F.1515 SR	
FCS0712/3	NEWFREN	.F.1516 SR	
FCS0713/3	NEWFREN	.F.1517 SR	
FCS0715/2	NEWFREN	.F.1534 AC	
FCS0716/2	NEWFREN	.F.1536 AC	
FCS0717/2	NEWFREN	.F.1535 AC	
FCS0720/2	NEWFREN	.F.1489 AC	
FCS0721/2	NEWFREN	.F.1167 AC	
FCS0722/2	NEWFREN	.F.1168 AC	
FCS0723/2	NEWFREN	.F.1169 AC	
FCS0724/2	NEWFREN	.F.1170 AC	
FCS0725/2	NEWFREN	.F.1171 AC	
FCS0728/2	NEWFREN	.F.1480 AC	
FCS0729/3	NEWFREN	.F.1483 SR	
FCS0730/3	NEWFREN	.F.1486 SR	
FCS0731/3	NEWFREN	.F.1485 SR	
FCS0739/3	NEWFREN	.F.1436 SR	
FCS0740/3	NEWFREN	.F.1437 SR	
FCS0743/2	NEWFREN	.F.1440 AC	
FCS0744/2	NEWFREN	.F.1441 AC	
FCS0745/2	NEWFREN	.F.1442 AC	
FCS0746/2	NEWFREN	.F.1443 AC	
FCS0747/2	NEWFREN	.F.1444 AC	
FCS0748/2	NEWFREN	.F.1445 AC	
FCS0749/2	NEWFREN	.F.1446 AC	
FCS1102/2	NEWFREN	.F.2636 AC	
FCS1103/2	NEWFREN	.F.2637 AC	
FCS1105/2	NEWFREN	.F.2639 AC	
FCS1107/2	NEWFREN	.F.2666 AC	

Ferodo Code	Competitor	Comp. Code	Kit Code
...FCS1107/3	NEWFREN	.F.2666 SR	
FCS1202/2	NEWFREN	.F.2854 AC	
FSS0101	NEWFREN	.MO.054F	
FSS0102	NEWFREN	.MO.058F	
FSS0103	NEWFREN	.MO.059F	
FSS0104	NEWFREN	.MO.061F	
FSS0105	NEWFREN	.MO.062F	
FSS0106	NEWFREN	.MO.065F	
FSS0107	NEWFREN	.MO.066F	
FSS0108	NEWFREN	.MO.068F	
FSS0109	NEWFREN	.MO.070F	
FSS0110	NEWFREN	.MO.071F	
FSS0111	NEWFREN	.MO.072F	
	EBC	CSK 01	
FSS0112	NEWFREN	.MO.074F	
	EBC	CSK 03	
FSS0113	NEWFREN	.MO.078F	
	EBC	CSK 08	
FSS0114	NEWFREN	.MO.079F	
	EBC	CSK 09	
FSS0115	EBC	CSK 11	
	NEWFREN	.MO.081F	
FSS0116	NEWFREN	.MO.083F	
	EBC	CSK 13	
FSS0117	EBC	CSK 21	
	NEWFREN	.MO.091F	
FSS0118	NEWFREN	.MO.093F	
	EBC	CSK 23	
FSS0119	EBC	CSK 27	
	NEWFREN	.MO.097F	
FSS0120	NEWFREN	.MO.098F	
	EBC	CSK 28	
FSS0122	NEWFREN	.MO.123F	
FSS0123	NEWFREN	.MO.127F	
	EBC	CSK 54	
FSS0124	NEWFREN	.MO.140F	
	EBC	CSK 62	
FSS0125	NEWFREN	.MO.094F	
	EBC	CSK 24	
FSS0126	NEWFREN	.MO.116F	
	EBC	CSK 43	
FSS0127	EBC	CSK 59	
	NEWFREN	.MO.132F	
FSS0131	NEWFREN	.MO.628F	
	EBC	CSK 92	
FSS0201	NEWFREN	.MO.052F	
FSS0202	NEWFREN	.MO.064F	
FSS0203	NEWFREN	.MO.067F	
FSS0204	NEWFREN	.MO.087F	
	EBC	CSK 17	
FSS0205	EBC	CSK 19	
	NEWFREN	.MO.089F	
FSS0206	NEWFREN	.MO.092F	
	EBC	CSK 22	
FSS0207	NEWFREN	.MO.096F	
	EBC	CSK 26	

CLUTCHES X-REF

FERODO TO COMPETITORS

Ferodo Code	Competitor	Comp. Code	Kit Code
...FSS0208	EBC	CSK 29	
FSS0208	NEWFREN	.MO.099F	
FSS0209	NEWFREN	.MO.102F	
	EBC	CSK 31	
FSS0210	EBC	CSK 36	
	NEWFREN	.MO.108F	
FSS0211	NEWFREN	.MO.131F	
	EBC	CSK 58	
FSS0212	NEWFREN	.MO.109F	
	EBC	CSK 37	
FSS0213	NEWFREN	.MO.142F	
	EBC	CSK 65	
FSS0214	NEWFREN	.MO.633F	
	EBC	CSK 101	
FSS0215	NEWFREN	.MO.141F	
	EBC	CSK 63	
FSS0301	NEWFREN	.MO.056F	
FSS0302	NEWFREN	.MO.063F	
FSS0303	EBC	CSK 04	
	NEWFREN	.MO.075F	
FSS0304	NEWFREN	.MO.076F	
	EBC	CSK 06	
FSS0305	EBC	CSK 07	
	NEWFREN	.MO.077F	
FSS0306	NEWFREN	.MO.082F	
	EBC	CSK 12	
FSS0307	NEWFREN	.MO.084F	
	EBC	CSK 14	
FSS0308	NEWFREN	.MO.086F	
	EBC	CSK 16	
FSS0309	NEWFREN	.MO.095F	
	EBC	CSK 25	
FSS0310	NEWFREN	.MO.103F	
	EBC	CSK 32	
FSS0311	NEWFREN	.MO.111F	
	EBC	CSK 39	
FSS0312	NEWFREN	.MO.118F	
	EBC	CSK 45	
FSS0313	NEWFREN	.MO.119F	
	EBC	CSK 46	
FSS0314	EBC	CSK 48	
	NEWFREN	.MO.121F	
FSS0315	NEWFREN	.MO.122F	
	EBC	CSK 49	
FSS0316	NEWFREN	.MO.125F	
	EBC	CSK 53	
FSS0317	EBC	CSK 55	
	NEWFREN	.MO.128F	
FSS0318	NEWFREN	.MO.129F	
	EBC	CSK 56	
FSS0319	NEWFREN	.MO.143F	
	EBC	CSK 66	
FSS0320	NEWFREN	.MO.105F	
	EBC	CSK 34	
FSS0402	NEWFREN	.MO.053F	
FSS0403	NEWFREN	.MO.057F	

Ferodo Code	Competitor	Comp. Code	Kit Code
...FSS0404	NEWFREN	.MO.060F	
FSS0405	NEWFREN	.MO.069F	
FSS0406	NEWFREN	.MO.073F	
	EBC	CSK 02	
FSS0407	EBC	CSK 10	
	NEWFREN	.MO.080F	
FSS0408	EBC	CSK 15	
	NEWFREN	.MO.085F	
FSS0409	NEWFREN	.MO.088F	
	EBC	CSK 18	
FSS0410	NEWFREN	.MO.090F	
	EBC	CSK 20	
FSS0411	NEWFREN	.MO.106F	
	EBC	CSK 35	
FSS0412	EBC	CSK 40	
	NEWFREN	.MO.112F	
FSS0413	NEWFREN	.MO.115F	
	EBC	CSK 42	
FSS0414	NEWFREN	.MO.117F	
	EBC	CSK 44	
FSS0415	NEWFREN	.MO.124F	
	EBC	CSK 52	
FSS0416	NEWFREN	.MO.138F	
FSS0417	NEWFREN	.MO.147F	
	EBC	CSK 67	
FSS0418	NEWFREN	.MO.149F	
FSS0419	NEWFREN	.MO.634F	
FSS0420	NEWFREN	.MO.126F	
FSS0422	NEWFREN	.MO.139F	
FSS0424	NEWFREN	.MO.153F	
FSS0425	NEWFREN	.MO.155F	
FSS0426	NEWFREN	.MO.156F	
FSS0429	NEWFREN	.MO.161F	
FSS0430	NEWFREN	.MO.162F	
FSS0431	NEWFREN	.MO.163F	
FSS0432	NEWFREN	.MO.164F	
FSS0433	NEWFREN	.MO.165F	
FSS0434	NEWFREN	.MO.166F	
FSS0435	NEWFREN	.MO.167F	
FSS0436	NEWFREN	.MO.169F	
FSS0437	NEWFREN	.MO.170F	
FSS0438	NEWFREN	.MO.172F	
FSS0440	NEWFREN	.MO.174F	
FSS0441	NEWFREN	.MO.175F	
FSS0442	NEWFREN	.MO.176F	
FSS0444	NEWFREN	.MO.182F	
FSS0445	NEWFREN	.MO.183F	
FSS0446	NEWFREN	.MO.184F	
FSS0447	NEWFREN	.MO.187F	
FSS0448	NEWFREN	.MO.188F	
FSS0449	NEWFREN	.MO.189F	
FSS0450	NEWFREN	.MO.191F	
FSS0451	NEWFREN	.MO.192F	
FSS0454	NEWFREN	.MO.196F	
FSS0455	NEWFREN	.MO.197F	
FSS0456	NEWFREN	.MO.198F	

CLUTCHES X-REF

FERODO TO COMPETITORS

Ferodo Code	Competitor	Comp. Code	Kit Code
...FSS0457	NEWFREN	.MO.199F	
FSS0458	NEWFREN	.MO.200F	
FSS0459	NEWFREN	.MO.201F	
FSS0460	NEWFREN	.MO.203F	
FSS0461	NEWFREN	.MO.204F	
FSS0462	NEWFREN	.MO.205F	
FSS0463	NEWFREN	.MO.206F	
FSS0464	NEWFREN	.MO.207F	
FSS0465	NEWFREN	.MO.208F	
FSS0500	NEWFREN	.MO.244F	
FSS0501	EBC	CSK 60	
	NEWFREN	.MO.133F	
FSS0502	NEWFREN	.MO.600F	
	EBC	CSK 70	
FSS0503	NEWFREN	.MO.635F	
FSS0504	NEWFREN	.MO.606F	
	EBC	CSK 77	
FSS0505	EBC	CSK 72	
	NEWFREN	.MO.602F	
FSS0506	EBC	CSK 81	
	NEWFREN	.MO.610F	
FSS0507	NEWFREN	.MO.632F	
	EBC	CSK 99	
FSS0508	NEWFREN	.MO.601F	
	EBC	CSK 71	
FSS0509	NEWFREN	.MO.630F	
	EBC	CSK 93	
FSS0510	NEWFREN	.MO.604F	
	EBC	CSK 74	
FSS0511	NEWFREN	.MO.614F	
FSS0513	NEWFREN	.MO.631F	
	EBC	CSK 97	
FSS0514	NEWFREN	.MO.605F	
	EBC	CSK 75	
FSS0515	EBC	CSK 91	
	NEWFREN	.MO.615F	
FSS0516	NEWFREN	.MO.607F	
	EBC	CSK 78	
FSS0518	EBC	CSK 88	
	NEWFREN	.MO.613F	
FSS0519	EBC	CSK 82	
	NEWFREN	.MO.611F	
FSS0523	NEWFREN	.MO.246F	
FSS0524	NEWFREN	.MO.247F	
FSS0525	NEWFREN	.MO.248F	
FSS0528	NEWFREN	.MO.251F	
FSS0529	NEWFREN	.MO.252F	
FSS0530	NEWFREN	.MO.253F	
FSS0531	NEWFREN	.MO.254F	
FSS0532	NEWFREN	.MO.255F	
FSS0533	NEWFREN	.MO.256F	
FSS0537	NEWFREN	.MO.260F	
FSS0538	NEWFREN	.MO.261F	
FSS0540	NEWFREN	.MO.263F	
FSS0541	NEWFREN	.MO.264F	
FSS0542	NEWFREN	.MO.265F	

Ferodo Code	Competitor	Comp. Code	Kit Code
...FSS0543	NEWFREN	.MO.266F	
FSS0544	NEWFREN	.MO.267F	
FSS0545	NEWFREN	.MO.268F	
FSS0547	NEWFREN	.MO.270F	
FSS0548	NEWFREN	.MO.271F	
FSS0549	NEWFREN	.MO.272F	
FSS0552	NEWFREN	.MO.275F	
FSS0553	NEWFREN	.MO.276F	
FSS0554	NEWFREN	.MO.277F	
FSS0555	NEWFREN	.MO.148F	

FERODO™

MOTORCYCLE CLUTCHES



Scooter centrifugal Applications

FERODO™

MOTORCYCLE CLUTCHES



APRILIA

ATLANTIC 125	125	2003	→ 2006	FCG0550
LEONARDO 125	125	1995	→ 2004	FCG0514
SCARABEO 125 (motore Rotax)	125	1999	→ 2003	FCG0514
SPORT CITY 125	125	2004	→ 2005	FCG0550
SPORT CITY 125 EU 3	125	2006	→	FCG0550
SR 125	125	1999	→	FCG0538
LEONARDO 150	150	1997	→ 2004	FCG0514
SCARABEO 150	150	1998	→ 2003	FCG0514
SR 150	150	1999	→	FCG0538
ATLANTIC 200	200	2003	→ 2005	FCG0558
SCARABEO 200	200	2001	→ 2003	FCG0514
SPORT CITY 200	200	2004	→ 2005	FCG0558
SPORT CITY 200 EU3	200	2006	→	FCG0558
ATLANTIC 250	250	2003	→ 2006	FCG0557
LEONARDO 250	250	1999	→ 2001	FCG0539
LEONARDO 250 ST	250	2001	→ 2004	FCG0539
SPORT CITY 250 EU3	250	2006	→	FCG0557
ATLANTIC 400 SPRINT	400	2005	→ 2008	FCG0549
SCARABEO 400 LIGHT	400	2006	→ 2008	FCG0549
ARECIFE 500 (spagna)	500	2002	→ 2004	FCG0549
ATLANTIC 500	500	2002	→ 2004	FCG0549
ATLANTIC 500 SPRINT	500	2005	→ 2008	FCG0549
SCARABEO 500	500	2002	→ 2006	FCG0549
SCARABEO 500 CLASS	500	2010	→	FCG0549
SCARABEO 500 IE	500	2007	→	FCG0549
SCARABEO 500 LIGHT	500	2006	→ 2008	FCG0549

BENELLI

VELVET 150	150	1999	→ 2004	FCG0539
VELVET 150 TOURING	150	2002	→ 2003	FCG0539

DERBI

BOULEVARD 125	125	2002	→ 2004	FCG0523
PREDATOR 125	125	1999	→	FCG0523
ATLANTIS 150	150	2004	→	FCG0523
BOULEVARD 150	150	2002	→ 2004	FCG0523
PREDATOR 180	180	1999	→	FCG0523
BOULEVARD 200	200	2005	→	FCG0556

GILERA

DNA 125	125	2001	→	FCG0523
NEXUS 125 EURO 3	125	2007	→ 2008	FCG0550
NEXUS 125 IE EURO 3	125	2008	→ 2011	FCG0550
RUNNER 125 FX - FXR	125	1997	→ 2002	FCG0516
RUNNER 125 SP	125	1999	→	FCG0516
RUNNER 125 VX / VXR 4T	125	2001	→ 2004	FCG0523
RUNNER 125 VX 4T	125	2005	→ 2006	FCG0550
RUNNER 125 VX 4T RACE	125	2006	→	FCG0550
RUNNER 125 VX 4T SC	125	2006	→ 2007	FCG0550
RUNNER 125 VX 4T ST EURO 3	125	2008	→ 2012	FCG0550
TYPHOON 125	125	1995	→ 1998	FCG0516
DNA 180	180	2001	→	FCG0544
RUNNER 180 FXR	180	1998	→	FCG0538
RUNNER 180 SP	180	1999	→	FCG0538
RUNNER 180 VXR	180	2001	→ 2004	FCG0544
RUNNER 200 VX / VXR 4T	200	2002	→ 2006	FCG0558
RUNNER 200 VXR 4T RACE	200	2006	→	FCG0558
RUNNER 200 VXR 4T ST EURO 3	200	2008	→	FCG0558
RUNNER 200 VXR EURO 3	200	2007	→	FCG0558
NEXUS 250 EURO 3	250	2006	→ 2007	FCG0557
NEXUS 250 SP EURO 3	250	2006	→ 2007	FCG0557
NEXUS 500	500	2003	→ 2005	FCG0537
NEXUS 500 EURO 3	500	2006	→ 2008	FCG0549
NEXUS 500 SP EURO 3	500	2006	→ 2007	FCG0549

HONDA

FES 125 PANTHEON	125	1998	→ 2002	FCG0102
GY 125	125		→	FCG0108
NES 125 @	125	2000	→	FCG0108
NES 125 @ (freno a disco post)	125	2009	→	FCG0108
SH 125	125	2000	→ 2008	FCG0108

23000



...HONDA

SH 125 i	125	2009	→	FCG0108
FES 150 PANTHEON	150	1998	→ 2002	FCG0102
NES 150 @	150	2000	→	FCG0108
NES 150 @ (freno a disco post)	150	2009	→	FCG0108
SH 150	150	2000	→ 2008	FCG0108
SH 150 i	150	2009	→	FCG0108
CN 250	250	1988	→ 1992	FCG0106
CN 250 ELITE	250	1985	→ 1990	FCG0106
CN 250 HELIX	250	1986	→ 1987	FCG0106
FES 250 FORESIGHT	250	1997	→ 2007	FCG0107
JAZZ 250	250	2001	→ 2004	FCG0107
SH 300 i	300	2007	→	FCG0107
SH 300 i ABS	300	2007	→	FCG0107

ITALJET

MILLENNIUM 150	150	2001	→	FCG0536
----------------	-----	------	---	---------

KYMCO

AGILITY 125 4T	125	2005	→ 2008	FCG0108
AGILITY 125 R 16	125	2008	→ 2009	FCG0108
AGILITY 125 RS	125	2009	→	FCG0108
DINK 125	125	1996	→ 2005	FCG0540
HEROISM 125	125	1995	→ 1997	FCG0541
LIKE 125	125	2009	→	FCG0108
MOVIE 125	125	1999	→ 2000	FCG0108
MOVIE 125 EURO 3	125	2006	→ 2007	FCG0108
MOVIE 125 XL	125	2001	→ 2004	FCG0108
PEOPLE 125	125	1999	→ 2000	FCG0108
PEOPLE 125 EURO 2	125	2003	→ 2004	FCG0108
PEOPLE 125 EURO 3	125	2007	→ 2011	FCG0108
PEOPLE S 125	125	2005	→ 2006	FCG0108
PEOPLE S 125 DD	125	2007	→ 2008	FCG0108
SUPER 8 125	125	2008	→ 2009	FCG0108
VIVIO 125	125	2000	→	FCG0108
AGILITY 150 R 16	150	2008	→ 2009	FCG0108
DINK 150 LX	150	1998	→ 2000	FCG0540
HEROISM 150	150	1995	→ 1997	FCG0541
MOVIE 150 EURO 3	150	2006	→ 2007	FCG0108
MOVIE 150 XL	150	2001	→ 2004	FCG0108
PEOPLE 150	150	1999	→ 2006	FCG0108
PEOPLE 150 EURO 3	150	2007	→ 2008	FCG0108
VIVIO 150	150	2001	→	FCG0108
AGILITY 200 i R 16	200	2010	→	FCG0108
DOWNTOWN 200 I	200	2010	→	FCG0563
DOWNTOWN 200 I	200	2010	→	FCG0563
LIKE 200 i	200	2009	→	FCG0108
PEOPLE GTI 200	200	2010	→	FCG0563
PEOPLE GTI 200	200	2010	→	FCG0563
PEOPLE S 200	200	2005	→ 2006	FCG0108
PEOPLE S 200 I	200	2007	→	FCG0108
B&W 250 BET & WIN	250	2000	→ 2002	FCG0543
B&W 250 EURO 2	250	2003	→	FCG0543
GRAND DINK 250	250	2001	→ 2002	FCG0543
GRAND DINK 250 EURO 2	250	2003	→ 2004	FCG0543
PEOPLE 250	250	2003	→ 2005	FCG0543
PEOPLE S 250	250	2006	→	FCG0543
XCITING 250	250	2005	→	FCG0543
XCITING 250 i	250	2006	→ 2007	FCG0543
YUP 250	250	2003	→	FCG0543
DOWNTOWN 300 ABS	300	2010	→	FCG0563
DOWNTOWN 300 ABS	300	2010	→	FCG0563
DOWNTOWN 300 I	300	2009	→ 2011	FCG0563
DOWNTOWN 300 I	300	2009	→ 2011	FCG0563
DOWNTOWN 300 I ABS	300	2010	→	FCG0563
DOWNTOWN 300 I ABS	300	2010	→	FCG0563
PEOPLE GTI 300	300	2010	→ 2011	FCG0563
PEOPLE GTI 300	300	2010	→ 2011	FCG0563
PEOPLE S 300 I	300	2008	→ 2009	FCG0543
XCITING 300 I	300	2008	→	FCG0543
XCITING 300 I R	300	2008	→ 2009	FCG0543

**MALAGUTI**

CENTRO 125 IE	125	2008	→	2009	FCG0108
CENTRO 125 SL	125	2009	→	2011	FCG0108
CIAK 125 RESTYLING	125	2003	→		FCG0108
CIAK 125	125	2000	→	2001	FCG0108
CIAK 125 MASTER	125	2004	→		FCG0108
CIAK 125 MASTER EURO 3	125	2006	→		FCG0108
F 12 125 MAX	125	2003	→		FCG0553
F 18 125 WARRIOR	125	2000	→	2002	FCG0540
MADISON 125 EURO 2	125	2003	→		FCG0553
MADISON 125	125	1999	→	2002	FCG0511
MADISON 3 125	125	2006	→	2009	FCG0553
PHANTOM MAX 125	125	2002	→		FCG0553
CIAK 150	150	2000	→	2002	FCG0108
CIAK 150 MASTER	150	2003	→		FCG0108
CIAK 150 RESTYLING EURO 2	150	2004	→		FCG0108
F 18 150 WARRIOR	150	2000	→	2002	FCG0540
MADISON 150	150	1999	→		FCG0536
MADISON T 150	150	1999	→	2001	FCG0536
BLOG 160	160	2009	→	2011	FCG0108
CENTRO 160 IE	160	2008	→	2009	FCG0108
CENTRO 160 SL	160	2009	→	2011	FCG0108
MADISON 180	180	2001	→		FCG0544
MADISON R 180	180	2001	→	2002	FCG0544
CIAK 200 MASTER EURO 2	200	2006	→		FCG0108
F 12 200 MAX	200	2003	→		FCG0532
MADISON 200 EURO 2	200	2003	→		FCG0532
MADISON 200	200	1999	→	2001	FCG0532
MADISON S 200 RESTYLING	200	2002	→	2003	FCG0532
PHANTOM MAX 200	200	2003	→		FCG0532
MADISON 250 RS RESTYLING	250	2004	→		FCG0557
MADISON 250 S	250	1999	→	2001	FCG0539
MADISON RS 250 RESTYLING	250	2004	→		FCG0557
MADISON S 250	250	1999	→	2001	FCG0539
PASSWORD 250	250	2005	→	2006	FCG0517
PASSWORD 250 EU 3	250	2007	→	2008	FCG0557
PHANTOM MAX 250	250	2004	→		FCG0557
MADISON K 400	400	2002	→		FCG0506
MADISON K 400 RESTYLING	400	2002	→	2004	FCG0506
SPIDERMAX 500 GT	500	2004	→	2005	FCG0549
SPIDERMAX 500 GT EURO 3	500	2006	→		FCG0549

MBK

XN 125 DOODO	125	2000	→	2001	FCG0511
XQ 125 THUNDER	125	2001	→		FCG0511
YP 125 SKYLINER	125	1998	→	2002	FCG0511
XN 150 DOODO	150	2001	→		FCG0536
XQ 150 THUNDER	150	2001	→		FCG0536
YP 150 SKYLINER	150	2000	→	2002	FCG0536
YP E 180 SKYLINER	180	2003	→		FCG0536
YP 250 SKYLINER	250	2000	→	2001	FCG0539
YP 250 SKYLINER	250	2002	→	2003	FCG0517
KILIBRE 300	300	2003	→	2006	FCG0517

PEUGEOT

ELYSEO 100	100	2002	→		FCG0507
LOOXOR 100	100	2001	→		FCG0507
SPEEDFIGHT 100	100	1997	→	2000	FCG0507
SV L 100	100	1999	→	2001	FCG0507
TREKKER 100	100	1998	→		FCG0507
VIVACITY 100	100	1999	→	2001	FCG0507
X FIGHT 100	100	2000	→	2001	FCG0507
ELYSEO 125	125	1998	→	1999	FCG0524
SV 250	250	2001	→		FCG0107

PIAGGIO

BEVERLY 125 4T	125	2001	→		FCG0523
BEVERLY 125 EURO 3	125	2007	→	2008	FCG0550
BEVERLY 125 EURO 3 MIC	125	2007	→		FCG0550
BEVERLY 125 EURO 3 SPORT	125	2007	→	2008	FCG0550
BEVERLY 125 EURO 3 TOURER	125	2008	→	2010	FCG0550
BEVERLY 125 RST	125	2004	→	2007	FCG0550
BEVERLY 125 RST 4T 4V IE EURO 3	125	2010	→	2011	FCG0550



...PIAGGIO

CARNABY 125	125	2007	→	2010	FCG0550
DNA 125 4T	125	2001	→		FCG0523
FLY 125	125	2005	→	2008	FCG0551
HEXAGON 125 GTX 4T	125	1998	→	1999	FCG0523
HEXAGON 125 GTX 4T	125	2000	→		FCG0550
HEXAGON 125 LX	125	1998	→		FCG0516
HEXAGON 125 LX4	125	1998	→	1999	FCG0527
HEXAGON 125	125	1994	→	1997	FCG0516
LIBERTY 125	125	2000	→	2002	FCG0523
LIBERTY 125 PTT	125	2000	→		FCG0527
LIBERTY 125	125	1998	→	2000	FCG0527
LIBERTY 125 4T	125	2006	→	2007	FCG0550
LIBERTY 125 4T EURO3	125	2007	→	2008	FCG0550
LIBERTY 125 4T SPORT EURO3	125	2006	→	2008	FCG0550
LIBERTY 125 RST	125	2004	→	2005	FCG0550
LIBERTY 125 RST PTT	125	2005	→	2011	FCG0550
LIBERTY 125 SPORT	125	2006	→		FCG0550
MP3 125	125	2006	→	2008	FCG0550
MP3 125 IBRIDO	125	2009	→	2010	FCG0550
MP3 125 IE	125	2008	→	2009	FCG0550
MP3 125 IE TOURING	125	2011	→		FCG0550
MP3 125 YOURBAN ERL	125	2011	→	2012	FCG0550
RUNNER 125 2T DD	125	1997	→		FCG0516
RUNNER 125 4T DD	125	2001	→		FCG0523
SFERA 125 4T	125	1995	→	1997	FCG0527
SKIPPER 125	125	1993	→	1999	FCG0516
SKIPPER 125 4T	125	1998	→		FCG0523
SUPER HEXAGON 125 GTX	125		→	2000	FCG0523
SUPER HEXAGON 125 GTX	125	2001	→	2002	FCG0550
VESPA 125 ET4	125	1996	→	1998	FCG0527
VESPA 125 ET4	125	1999	→	2002	FCG0550
VESPA 125 GRANTURISMO L (pinza Grimeca)	125	2003	→		FCG0550
VESPA 125 GRANTURISMO L (pinza HengTong)	125	2003	→		FCG0550
VESPA 125 LX	125	2005	→	2006	FCG0551
VESPA 125 LX EURO 3	125	2006	→	2007	FCG0550
VESPA 125 S 4T IE & COLLEGE	125	2009	→	2010	FCG0550
X EVO 125	125	2007	→		FCG0550
X EVO 125	125	2007	→	2012	FCG0550
X8 125	125	2004	→		FCG0523
X8 125 (pinza HengTong)	125	2005	→	2006	FCG0550
X8 125 PREMIUM EURO 2	125	2006	→		FCG0550
X8 125 STREET EURO 3	125	2006	→		FCG0550
X9 125 EVOLUTION	125	2001	→	2002	FCG0523
X9 125 EVOLUTION	125	2003	→		FCG0550
X9 125 EVOLUTION	125	2005	→	2007	FCG0550
ZIP 125 4T	125	2000	→	2002	FCG0523
FLY 150	150	2005	→	2007	FCG0551
FLY 150 EURO 3	150	2008	→	2010	FCG0551
HEXAGON 150	150	1994	→	1999	FCG0516
LIBERTY 150 4T	150	2008	→		FCG0523
LIBERTY 150 4T SPORT	150	2008	→		FCG0523
LIBERTY 150 LE	150	2000	→	2002	FCG0523
SKIPPER 150	150	1993	→	1999	FCG0516
SKIPPER 150 4T	150	2000	→	2002	FCG0523
VESPA 150 LX EURO 3	150	2006	→	2007	FCG0550
VESPA 150 ET4	150	1996	→	1998	FCG0523
VESPA 150 ET4	150	1999	→	2002	FCG0550
VESPA 150 LX	150	2005	→	2006	FCG0551
VESPA 150 S 4T IE & COLLEGE	150	2009	→	2010	FCG0550
X8 150 STREET EURO 3	150	2006	→		FCG0550
DNA 180 4T	180	2000	→		FCG0544
HEXAGON 180 GTX 4T	180	2001	→		FCG0559
HEXAGON 180 GTX 4T	180	1998	→	2000	FCG0544
HEXAGON 180 LX	180	1998	→		FCG0538
RUNNER 180 2T DD	180	1997	→		FCG0538
RUNNER 180 4T DD	180	2000	→		FCG0544
SUPER EXAGON 180 GTX	180		→	2000	FCG0523
SUPER EXAGON 180 GTX	180	2001	→	2004	FCG0559
SUPER HEXAGON 180	180	2001	→		FCG0544
X9 180 AMALFI	180	2000	→	2003	FCG0544
BEVERLY 200	200	2001	→		FCG0545
CARNABY 200	200	2007	→	2010	FCG0558
LIBERTY 200 RST	200	2004	→	2005	FCG0559
LIBERTY 200	200	2006	→		FCG0559
LIBERTY 200 4T EURO3	200	2007	→	2008	FCG0559
LIBERTY 200 4T SPORT EURO 3	200	2006	→	2007	FCG0559



...PIAGGIO

LIBERTY 200 SPORT	200	2006	→	FCG0559
VESPA 200 GRANTURISMO	200	2006	→	FCG0558
VESPA 200 GRANTURISMO L	200	2003	→ 2005	FCG0532
X8 200	200	2004	→	FCG0547
X8 200	200	2005	→	FCG0552
X8 200	200	2006	→	FCG0558
X9 200 EVOLUTION	200	2002	→ 2003	FCG0545
BEVERLY 250	250	2006	→ 2007	FCG0557
BEVERLY 250 CRUISER	250	2007	→ 2009	FCG0557
BEVERLY 250 EURO 3 IE	250	2006	→ 2008	FCG0557
BEVERLY 250 EURO 3 MIC	250	2007	→	FCG0557
BEVERLY 250 EURO 3 TOURER	250	2008	→ 2009	FCG0557
BEVERLY 250 LEADER	250	2004	→	FCG0546
BEVERLY 250 RST	250	2004	→ 2005	FCG0557
BEVERLY 250 SPORT	250	2006	→ 2008	FCG0557
HEXAGON 250	250	1998	→	FCG0106
MP3 250	250	2006	→ 2008	FCG0557
MP3 250 LT	250	2009	→	FCG0557
MP3 250 MIC	250	2008	→ 2009	FCG0557
VESPA 250 GTS	250	2005	→	FCG0557
VESPA 250 GTV	250	2006	→	FCG0557
X8 250	250	2005	→ 2006	FCG0557
X9 250	250	2000	→ 2003	FCG0107
X9 250 AMALFI	250	2000	→	FCG0107
X9 250 EVOLUTION	250	2004	→ 2006	FCG0557
MP3 300 4T 4V IE LT IBRIDO	300	2010	→ 2011	FCG0557
MP3 300 IE LT	300	2010	→ 2011	FCG0557
MP3 300 IE LT - IE LT SPORT	300	2011	→	FCG0557
MP3 300 IE LT TOURING	300	2011	→	FCG0557
MP3 300 IE MIC	300	2010	→ 2011	FCG0557
MP3 300 IE TOURING	300	2011	→	FCG0557
MP3 300 YOURBAN ERL	300	2011	→	FCG0557
MP3 300 YOURBAN LT ERL	300	2011	→	FCG0557
BEVERLY 400 EURO 3	400	2006	→ 2008	FCG0549
BEVERLY 400 TOURER EURO3	400	2008	→ 2010	FCG0549
BEVERLY 400 TOURER EURO3	400	2008	→ 2010	FCG0549
MP3 400	400	2007	→ 2008	FCG0549
MP3 400 IE LT - IE LT SPORT	400	2008	→ 2010	FCG0549
MP3 400 IE LT TOURING	400	2011	→	FCG0549
MP3 400 LT	400	2009	→	FCG0549
MP3 400 MIC	400	2008	→ 2011	FCG0549
MP3 400 RL TOURING	400	2011	→	FCG0549
X8 400	400	2006	→	FCG0549
X8 400 EURO 3	400	2006	→ 2008	FCG0549
BEVERLY 500	500	2002	→ 2004	FCG0537
BEVERLY 500	500	2005	→ 2006	FCG0549
BEVERLY 500 CRUISER	500	2007	→ 2012	FCG0549
BEVERLY 500 EURO 3	500	2006	→ 2008	FCG0549
MP3 500 LT SPORT BUSINESS	500	2011	→ 2012	
MP3 500 LT SPORT BUSINESS	500	2011	→ 2012	FCG0569
MP3 500 RL SPORT	500	2011	→ 2012	
MP3 500 RL SPORT	500	2011	→ 2012	FCG0569
X 9 500 EVOLUTION	500	2006	→ 2007	FCG0549
X10 500 4V IE EURO3	500	2012	→	
X10 500 4V IE EURO3	500	2012	→	FCG0569
X9 500	500	2001	→ 2003	FCG0549
X9 500 EVOLUTION	500	2003	→ 2004	FCG0537
X9 500 EVOLUTION ABS	500	2006	→ 2007	FCG0549

SUZUKI

UC 125 EPICURO	125	1998	→ 2000	FCG0548
UH 125 BURGMAN	125	2002	→ 2006	FCG0548
UH 125 BURGMAN	125	2007	→ 2011	
UH 125 BURGMAN	125	2007	→ 2011	FCG0567
UX 125 SIXTEEN	125	2008	→ 2011	
UX 125 SIXTEEN	125	2008	→ 2011	FCG0567
UC 150 EPICURO	150	1999	→ 2001	FCG0548
UH 150 BURGMAN	150	2002	→ 2006	FCG0548
UX 150 SIXTEEN	150	2008	→ 2011	
UX 150 SIXTEEN	150	2008	→ 2011	FCG0567
UH 200 BURGMAN	200	2007	→ 2011	
UH 200 BURGMAN	200	2007	→ 2011	FCG0566
AN 250 BURGMAN	250	1996	→ 2006	FCG0301
AN 400 BURGMAN	400	1998	→ 2006	FCG0506
AN 400 BURGMAN	400	2007	→ 2012	



...SUZUKI

AN 400 BURGMAN

400 2007 → 2012

FCG0565

SYM

JOY RIDE 125

125 2001 → 2004

FCG0541

JOY RIDE 125 EURO 2

125 2005 → 2006

FCG0108

JOY RIDE 125 EURO 3

125 2007 →

FCG0108

JOY RIDE 125 EVO

125 2010 →

FCG0108

JOY RIDE 150

150 2001 → 2002

FCG0541

TRACK RUNNER 180

180 2006 → 2007

FCG0108

HD 200 EU 2

200 2003 → 2004

FCG0541

HD EVO 200 EURO 2

200 2005 → 2006

FCG0541

HD EVO 200 I EURO 3

200 2007 → 2010

FCG0541

JOY RIDE 200

200 2001 → 2004

FCG0541

JOY RIDE 200 I EVO

200 2009 → 2010

FCG0541

YAMAHA

NXC 125 CYGNUS X

125 2004 → 2011

FCG0511

VP 125 X-CITY

125 2008 → 2011

FCG0564

VP 125 X-CITY

125 2008 → 2011

FCG0564

XC 125 CYGNUS R

125 1999 → 2003

FCG0511

XN 125 NEO'S

125 2000 →

FCG0511

XQ 125 MAXTER

125 2001 → 2002

FCG0511

YP 125 MAJESTY

125 1998 → 2000

FCG0511

YP E 125 MAJESTY

125 2001 → 2002

FCG0511

YP R 125 X-MAX

125 2006 → 2009

FCG0564

YP R 125 X-MAX

125 2006 → 2009

FCG0564

YP R 125 X-MAX

125 2010 → 2012

FCG0564

YP R 125 X-MAX

125 2010 → 2012

FCG0564

YP R 125 X-MAX ABS

125 2011 →

FCG0564

YP R 125 X-MAX ABS

125 2011 →

FCG0564

YW 125 BW'S

125 2010 →

FCG0511

XN 150 NEO'S

150 2001 → 2002

FCG0536

XN 150 TEO'S

150 2001 → 2002

FCG0536

XQ 150 MAXTER

150 2001 → 2002

FCG0536

YP 150 MAJESTY

150 2000 → 2002

FCG0536

YP E 180 MAJESTY

180 2003 → 2006

FCG0536

VP 250 X-CITY

250 2007 → 2012

FCG0517

YP 250 MAJESTY

250 1996 → 1998

FCG0539

YP 250 MAJESTY

250 2000 → 2003

FCG0517

YP 250 MAJESTY ABS

250 2003 →

FCG0517

YP 250 MAJESTY DX

250 1998 → 1999

FCG0539

YP R 250 X-MAX

250 2005 → 2011

FCG0517

YP R 250 X-MAX ABS

250 2011 →

FCG0517

YP R 250 X-MAX SPORT

250 2011 →

FCG0517

XC 300 VERSITY

300 2003 → 2006

FCG0517

YP 400 MAJESTY

400 2004 →

FCG0560

YP 400 MAJESTY

400 2004 →

FCG0560

YP 400 MAJESTY

400 2005 → 2006

FCG0560

YP 400 MAJESTY

400 2005 → 2006

FCG0560

YP 400 MAJESTY

400 2007 → 2011

FCG0560

YP 400 MAJESTY

400 2007 → 2011

FCG0560

YP 400 MAJESTY ABS

400 2007 → 2011

FCG0560

YP 400 MAJESTY ABS

400 2007 → 2011

FCG0560